



Link-Belt & Rex Bearing Catalog

Section Index

Description	Page	Description	Page
1 Rex® Spherical Roller Bearing Units	5	8 MB 25 & 35 Series Ball Bearings	399
Features & Benefits	6	Features & Benefits	400
Nomenclature	10	Nomenclature	402
Engineering	11	Engineering	404
Pillow Blocks	21	Pillow Blocks	409
Flange Blocks	51	Flange Blocks	413
Cartridge Blocks	73	Cartridge Blocks	423
Take-up Blocks	85	Take-up Blocks	424
Take-up Assemblies	93	Take-up Frames	427
Duplex Units	113	Hanger Units	429
Unmounted Replacement Bearings	115	Unmounted Replacement Bearings	431
Replacement Kits	121	9 MB Krown Regal® Ball Bearings	439
SHURLOK® Installation Tools	122	Features & Benefits	440
2 Link-Belt® Spherical Roller Bearing Units	123	Nomenclature	442
Features & Benefits	124	Engineering	443
Nomenclature	126	Pillow Blocks	447
Engineering	127	Flange Blocks	450
Pillow Blocks	133	Unmounted Replacement Bearings	456
Flange Blocks	151	10 Link-Belt Rigid Sleeve Bearings	459
Cartridge Blocks	163	Features & Benefits	460
Take-up Blocks	169	Nomenclature	461
Take-up Assemblies	173	Engineering	462
Take-up Frames	175	Pillow Blocks	467
Unmounted Replacement Bearings	177	Flange Blocks	473
Replacement Kits	181	Take-up Assemblies	474
3 Link-Belt Split Housed Spherical Roller Bearings	183	Replacement Parts	475
Features & Benefits	184	11 Link-Belt Flex Block Sleeve Bearings	479
Nomenclature	186	Features & Benefits	480
Engineering	188	Nomenclature	481
Pillow Blocks	202	Engineering	482
Take-up Assemblies	221	Pillow Blocks	485
Replacement Parts	223	Flange Blocks	486
4 Link-Belt Spherical Roller Bearings	235	Take-up Frame	488
Features & Benefits	236	12 Link-Belt Cylindrical Roller Bearings	489
Nomenclature	237	Features & Benefits	490
Selection Guide	238	Nomenclature	491
Engineering	240	Engineering	492
Unmounted Bearings	251	Single Row	509
5 Link-Belt Klean-Gard & Dura-Klean	259	Double Row	517
Features & Benefits	260	13 Link-Belt A20000 Spherical Roller Bearings Roller Bearings	519
Nomenclature	261	Features & Benefits	520
Engineering	262	Nomenclature	521
Pillow Blocks - Klean-Gard™	265	Selection Guide	522
Flange Blocks - Klean-Gard	266	Engineering	524
Pillow Blocks - Dura-Klean™	269	Series	526
Flange Blocks - Dura-Klean	271	14 Duralon	529
Take-up Blocks - Dura-Klean	274	Features & Benefits	530
6 Link-Belt 200 Series Ball Bearings	275	Nomenclature	531
Features & Benefits	276	Engineering	532
Nomenclature	278	Sleeve	533
Engineering	280	Annular	540
Pillow Blocks	287	Flange	541
Flange Blocks	307	Thrust Washers	542
Take-up Blocks	343	Annular	543
Take-up Assemblies	351	Mounting	544
Take-up Frames	355	15 Engineering Section	547
Hanger and Trough Units	357		
Unmounted Replacement Bearings	359		
7 Link-Belt 300 Series Heavy Duty Ball Bearings	373		
Features & Benefits	374		
Nomenclature	375		
Engineering	376		
Pillow Blocks	381		
Flange Blocks	386		
Cartridge Blocks	390		
Take-up Blocks	392		
Take-up Frames	393		
Unmounted Replacement Bearings	394		

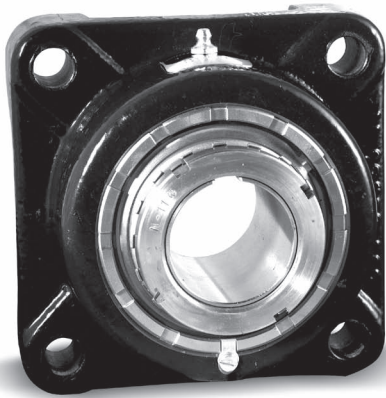
Alphabetical Index

Series Number	Page	Series Number	Page	Series Number	Page
1100	468	C35K	410	FC3Y200	322
21300	470	CB22400	167	FC435	415
1000(Z)	467	CB22600	168	FC435K	414
105-120mm Bores	499,514	CL25K	412	FCB22400	159-160
130-150mm Bores	500,515	CSEB22400	163-164	FCB22600	161
160-200mm Bores	501,516	CSEB22500	165	FCU/FCEU300	389
2000U	115-116	CSEB22600	166	FCU/FCEU3K00	388
21200(Z)	469	CU/CEU300	391	FF200	358
21400(Z)	471	CU/CEU3K00	390	FPS225	419
21500(Z)	472	D _____		FPS325	422
22200LB(K)	251-252	DSB22400	173	FPSR2(K)	420
22300LB(K)	253-254	DSB2800	474	FRU(G)200	336
23000LB(K)	255	DSHB22500	174	FRW(G)200	337
23100LB(K)	256	DSL6800	221	FRY(G)200	335
23200LB(K)	257	E _____		FU(G)200	333
23900LB(K)	258	EFB22500	155	FU/FEU300	387
25-40mm Bores	494,509	EFB22600	156	FU/FEU3K00	386
25-60mm Bores	517	EFRB22400	154	FW(G)200	334
2K1400(Z)	471	EPB/EPEB22400	145	FX3CL200	307-308
3000U	117	EPB/EPEB22400F	146	FX3S200	312
3200F	487	EPB/EPEB22500	147	FX3U200	310
3200FX	486	EPB/EPEB22500F	147	FX3W200	311
3200P	485	EPB/EPEB22600	148	FX3Y200	309
45-55mm Bores	495,510	EPB/EPEB22600F	149	FXRU(G)200	330
5000U	118	ER	435	FXRW(G)200	331
6000U	119	ER-K	434	FXRY(G)200	329
60-70mm Bores	496,511	ETPB22400	171	FXU(G)200	327
75-85mm Bores	497,512	F _____		FXW(G)200	328
9000U	120	F2200(Z)	473	FXY(G)200	326
90-100mm Bores	498,513	F3CL200	313-314	FY(G)200	332
A _____		F3S200	319	G _____	
A20000	527	F3U200	316-317	GMSA/GMSB	341
A20000M	528	F3W200	318	H _____	
A20000S	526	F3Y200	315	Hex	368
AG300L	394	FB/FEB22400	151-152	HM3U200	357
B _____		FB/FEB22600	153	K _____	
B400L	177-178	FB3S200	321	KC45	447
B500L	179	FB3U200	320	KC55	448
B600L	180	FBB22400	157	KCL45	449
BPLB6800	206	FBB22600	158	KFC245	450
C _____		FC225K	413	KFC255	451
C25K	409	FC3S200	325	KFC445	452
C35	411	FC3U200	323-323	KFC455	453

Series Number	Page	Series Number	Page	Series Number	Page
KLFBSS200	268	PFC455	455	PLB7600F	210
KLFSS200	267	PH3U200	296	PLB7800	227
KLFXSS200	266	PH3Y200	295	PLB7800(F)	210
KLPSS200	265	PKB/PKEB22400	139-140	PLB7900	228
KMB25	431	PKB/PKEB22400F	141	PLB7900(F)	213
KMB35	432	PKB/PKEB22500F	142	PLY300	385
KMB45	456	PKB/PKEB22600	143	PSS200	306
KMB55	457	PKB/PKEB22600F	144	PSU200	304
L _____		PKLB6600F	207-208	PSW200	305
LC	355	PKLB6800F	207-208	PSY200	303
LC	488	PKLB6800FD8	209	PT3S200	302
LHD FRAME	175	PKLB7600F	211	PT3U200	301
LHD FRAME	393	PKLB7800F	211	PU/PEU300	383
M _____		PL3S200	300	PU/PEU3K00	382
MB35	433	PL3U200	298	R _____	
MCHB	429	PL3W200	299	RER(K)	423
MEHB	430	PL3Y200	297	Round	369-370
MS/MSC	340	PLB23000	215	S _____	
MSL	436	PLB23000	230	SAF22300	213
MSLN	437	PLB23000K	214	SAF22300	228
MST	338	PLB23000K	229	SAF22600	212
MSTR	339	PLB23100	217	SAF22600	226
N _____		PLB23100	232	SG200	366
NT3U200	354	PLB23100K	216	SG200ELPA	367
P _____		PLB23100K	231	Square	371-372
P2U300	384	PLB23200	219	T _____	
P3C200	289	PLB23200	234	T3U200	344
P3CL200	287-288	PLB23200K	218	T3Y200	343
P3S200	294	PLB23200K	233	TAS3U200	351
P3U200	291-292	PLB6600	223-224	TB22400	169
P3W200	293	PLB6600D8	225	TB22600	170
P3Y200	290	PLB6600F	202-204	TC25K	424
PA/PEA300	381	PLB6600FD8	205	TC35	426
PB/PEB22400	133-134	PLB66M00	223-224	TC35K	425
PB/PEB22400F	135	PLB6800	223-224	TDS3U200	352-353
PB/PEB22500	136	PLB6800(F)	202-204	TFPS325	421
PB/PEB22500F	136	PLB6800D8	205	TH3CL200	345-346
PB/PEB22600	137	PLB6800D8	225	TH3S200	349
PB/PEB22600F	138	PLB6800FD8	205	TH3U200	348
PFC425K	416	PLB68M00	223-224	TH3Y200	347
PFC435	418	PLB6900	226	TP	427
PFC435K	417	PLB6900(F)	212	TPT	427
PFC445	454	PLB7600	227	TQP	428

Alphabetical Index

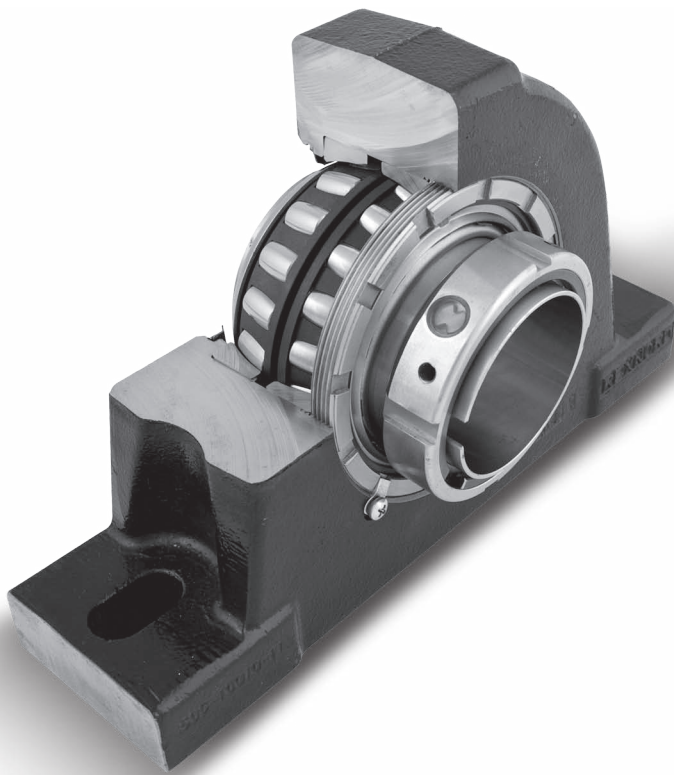
Series Number	Page	Series Number	Page	Series Number	Page
TSP	427	ZBR3000	68	ZST5000	99-100
TSPT	427	ZBR5000	69-70	ZT2000	85-86
TU300	392	ZBR6000	71	ZT3000	87
U _____		ZBR9000	72	ZT5000	88-89
U/UB200	361	ZC(S)2000	73	ZT6000	90
UG/UGB200	362-363	ZC(S)3000	74	ZT9000	91
UG300L	396	ZC(S)5000	75		
UG3K00L	395	ZC(S)6000	76		
W _____		ZC(S)9000	77		
W/WB200	364	ZD2000	113		
WF3S200	272	ZD5000	114		
WFB3S200	273	ZEF2000	61		
WFX3S200	271	ZEF3000	62		
WG/WBG200	365	ZEF5000	63		
WP3S200	269	ZEF6000	64		
WPT3S200	270	ZEF9000	65		
WTH3S200	274	ZEP(S)2000	44-45		
Y _____		ZEP(S)5000	47-48		
Y/YB200	359	ZEP(S)6000	49		
YG/YBG200	360	ZEP(S)9000	50		
YG300	397	ZEP3000	46		
Z _____		ZF(S)5000	57-58		
ZA(S)2000	26-27	ZF(S)6000	59		
ZA(S)2000-72	34	ZF(S)9000	60		
ZA(S)3000	28	ZFT5000	110		
ZA(S)3000-72	35	ZGT5000	111		
ZA(S)5000	29-30	ZGT5000	111-112		
ZA(S)5000-72	36	ZHT5000	93-95		
ZA(S)6000	31-32	ZHT6000	96-98		
ZA(S)6000-72	37	ZLF6000	25		
ZA(S)9000	33	ZMC2000	78-79		
ZA(S)9000-72	38	ZMC3000	80		
ZAF(S)5000	21-22	ZMC5000	81-82		
ZAF(S)6000	23-24	ZMC6000	83		
ZAT2000	108	ZMC9000	84		
ZAT3000	109	ZNT2000	101-102		
ZB(S)2000	51-52	ZNT3000	103		
ZB(S)3000	53	ZNT5000	104-105		
ZB(S)5000	54	ZNT6000	106-107		
ZB(S)6000	55	ZP(S)5000	39-40		
ZB(S)9000	56	ZP(S)6000	41-42		
ZBR2000	66-67	ZP(S)9000	43		



Industries Served

Mining
Forest Products
Aggregates
Steel
Air Handling
Construction
Package Handling

Rex Spherical Roller Bearings



Easy Bearing Clearance Adjustment

Can be field adjusted to meet application needs.

Replaceable Bearing

Available in single set collar, double set collar, eccentric lock and adapter mounting to suit load and installation requirements.

Shaft Ready

Pre-lubricated with our standard grease for normal operation; other lubricants available for special conditions.

Super-finished Raceways

Super-finished raceways provide a cool running, quiet, high-speed and high-load capacity bearing.

Rugged Housing

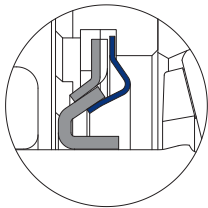
Standard material — cast iron. Steel or ductile iron available on request.

Multiple Housing Styles

Providing mounting features to match the operational and structural requirements.

Interchangeable Seals – Seal Types

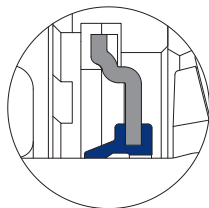
Type Z Seal Clearance



Denoted with a “Z” prefix in the model number. The standard seal used in the majority of applications.

- No frictional drag — generates no heat
- No speed limitations
- All metal — no temperature limitations

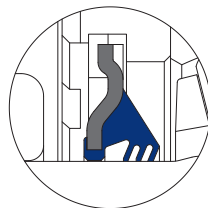
Type K Seal Light Contact



Substitute prefix “K” for “Z” in model number. Molded nitrile rubber lip seals out contaminants.

- Protects against contaminants
- Handles high speeds and vibration
- Less drag and heat generation than heavy contact seals

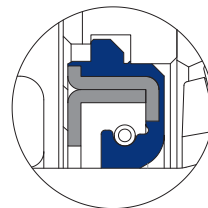
Type G Triple Lip Seal



Substitute prefix “G” for “Z” in model number. Premium elastomer, heavy duty contact, triple lip seal.

- Protects against fine particles and moisture
- Three contacting lips provide constant contact even during misalignment
- Metal outboard guard protects inner seal lips from abrasion and damage

Type M Seal Heavy Contact



Substitute prefix “M” for “Z” in model number. Premium elastomer, spring loaded contact lip.

- Protects against liquids and grit
- Spring loaded lip assures constant contact, even during misalignment
- Molded-in garter spring retains seal in housing
- Seals in lubricant on horizontal and vertical shafts
- Available in Viton® material

Auxiliary Cap Seals

- Recommended for severe environments
- Provide supplemental protection for the primary seal
- Seals against liquids and gritty contaminants. Particularly effective against water washdown, taconite, cement, sand or caking build-up
- Provides safety, encloses rotating mounting hardware
- Protects primary seal from physical damage
- May be filled with grease to provide purging action
- Available as open or closed end cap

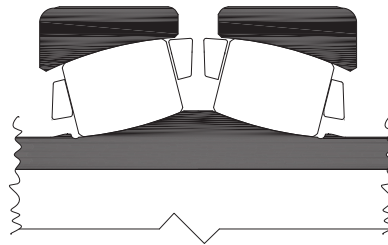


- Use “C” Suffix in model number
- Protects from rotating shaft exposure and Foreign material penetration

Integral Self-Alignment

Rex® Roller Bearings represent the continuation of 80 years of bearing technology and experience. This design allows the inner race to misalign freely in any direction up to 4° of total misalignment.

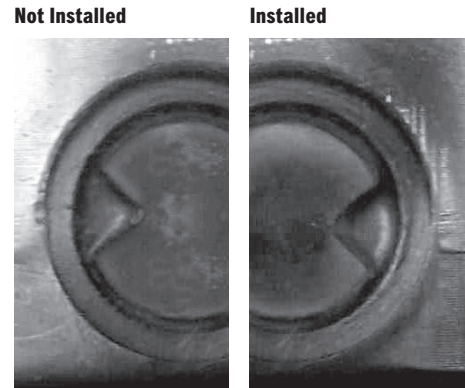
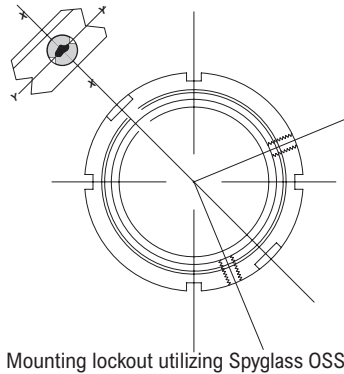
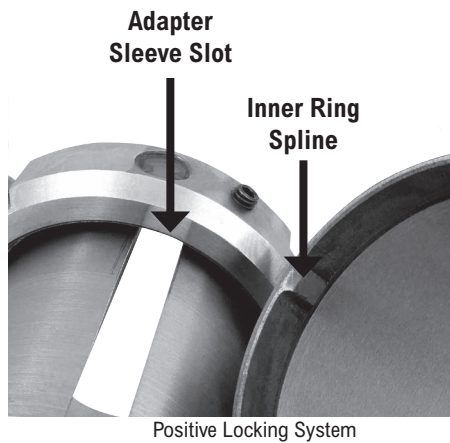
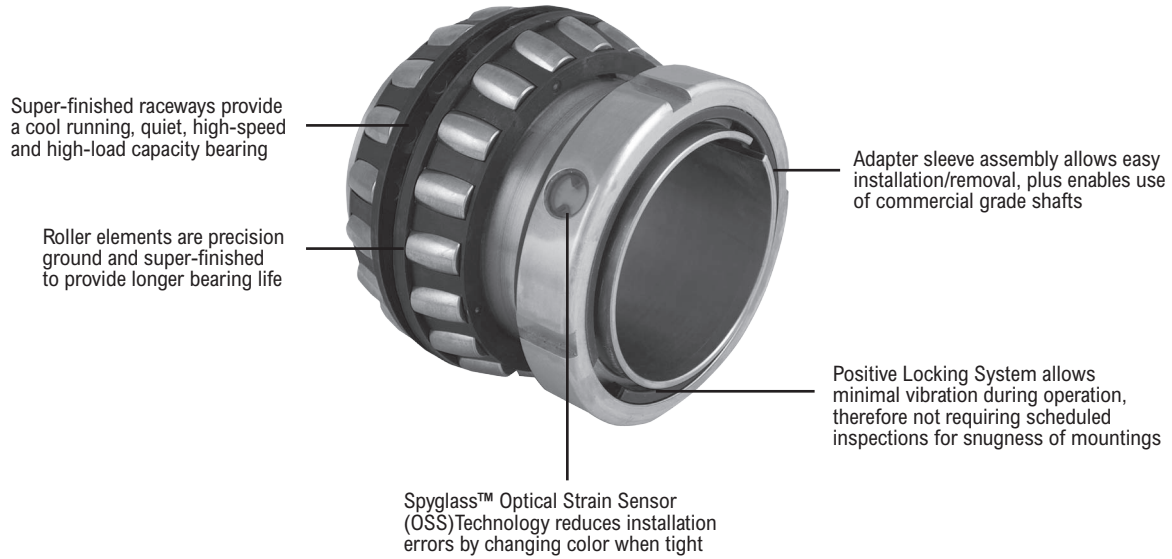
By design, Rex Bearings accept both radial and thrust loads under static, oscillatory, or dynamic conditions. The load is taken on the roller raceways, not the roller ends. This means that when thrust is loaded up to their allowable limit, **Rex Bearings do not exhibit roller end wear.**



Featuring Rex SHURLOK Adapter Mounts – Taking the Mystery Out of Mounting

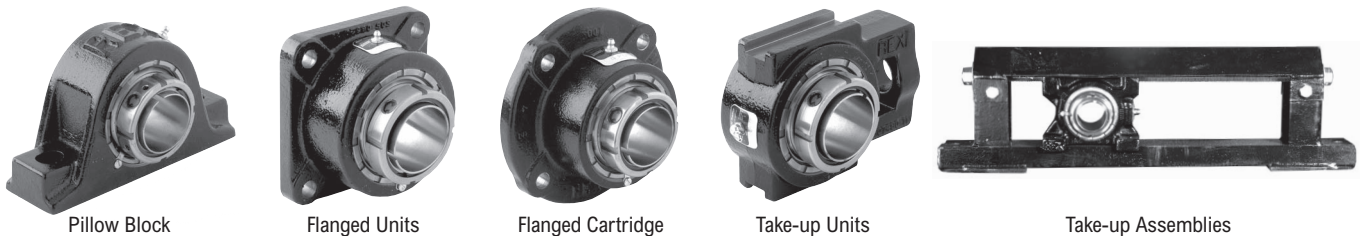
Auxiliary end caps and four field interchangeable seal options ensure long bearing life through a full range of applications.

Self-aligning spherical roller bearing provides a total of 4° static and dynamic misalignment.



Easy Installation: Simply tighten the locknut until the Spyglass shows proper indication

Rex 6000 Series SHURLOK Roller Bearings are Also Available with These Housings

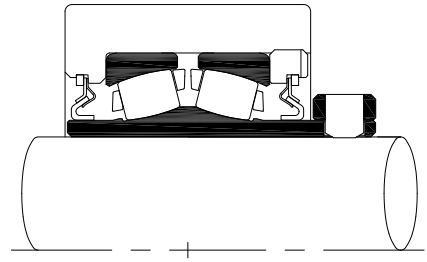


Shaft Mounting Styles

The following five mounting styles are available in any Rex housing style.

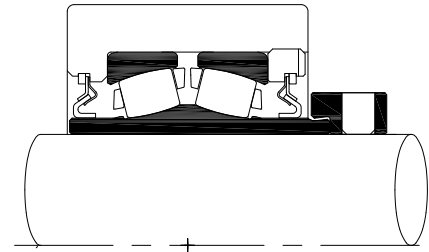
2000 Series Single Set Collar

- Normal duty
- Simplest installation
- Most economical



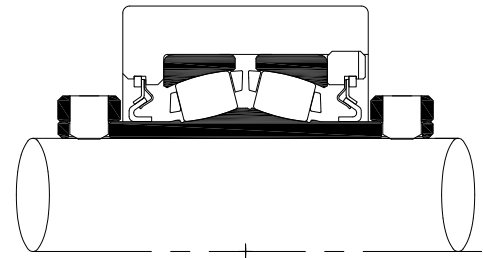
3000 Series Twist Lock™ Eccentric Locking Collar

- Medium duty
- Additional shaft holding power
- Accommodates undersized shafting
- Economical



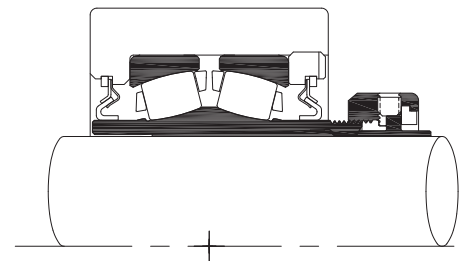
5000 Series Double Set Collar

- Heavy duty
- Increased shaft holding power and stability
- Moderate cost



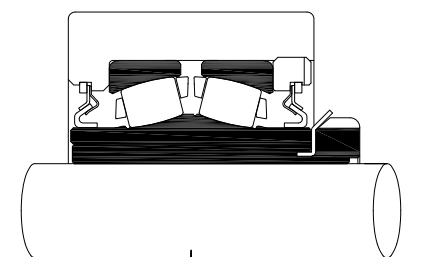
6000 Series SHURLOK Adapter Mount

- Heavy duty
- Spyglass Optical Strain Sensor (OSS) Technology
- Full bore contact for maximum shaft holding power, concentricity and running accuracy
- Accommodates undersized shafting
- Easily removable



9000 Series Adapter Mount

- Extra heavy duty
- Full bore contact for maximum shaft holding power, concentricity and running accuracy
- Accommodates undersized shafting



Nomenclature

Symbol

Description

A Z A - 2 207 F

A Two open auxiliary end caps
 B Two auxiliary end caps
 (open on housing side, closed on threaded cover side)
 X Designates "SPECIAL UNITS", contact Rexnord Industries

Z Clearance seal
 K Light contact seal
 M Heavy contact seal
 G Triple Lip Seal

A Pillow block, fixed
 AS Pillow block, floating
 AF Pillow block, fixed SAF interchange
 AFS Pillow block, floating SAF interchange
 LF Split pillow block, fixed SAF interchange
 LFS Split pillow block, floating SAF interchange
 P Pillow block, fixed
 PS Pillow block, floating
 EP Pillow block, fixed Type E interchange
 EPS Pillow block, floating Type E interchange
 B Flanged block, fixed 4-bolt
 BS Flanged block, floating 4-bolt
 EF Flanged block, fixed 4-bolt Type E interchange
 F Flanged block, fixed 4 or 6-bolt
 FS Flanged block, floating 4 or 6-bolt
 BR Flanged cartridge block, fixed 4-bolt round
 CS Cartridge block, steel housing
 MC Cartridge block, cast iron housing
 D Duplex unit
 N Take-up block for protected screw frame
 T Take-up block for center pull frame
 AT Center pull take-up assembly
 NT Protected screw take-up assembly
 HT Center pull take-up assembly
 FT Elevator boot end take-up assembly
 GT Elevator head end take-up assembly
 ST Center pull spring loaded take-up assembly

11 Size code – only for take-up blocks and assemblies

2 2000 Series, single set collar
 3 3000 Series, eccentric locking collar
 5 5000 Series, double set collar
 6 6000 Series, SHURLOK® tapered adapter sleeve
 9 9000 Series, tapered adapter sleeve

207 2 7/16" – last two digits in 16th of an inch
 100MM 100 millimeters

24 Inches of take-up adjustment – only for take-up assemblies
 A One open auxiliary end cap (threaded cover side)
 B One closed auxiliary end cap (threaded cover side)
 C Closed end cap
 F 4-bolt housing (pillow blocks only)
 G Face locked threaded cover
 H Reverse assembly
 PL Precision bore diameter and bore roundness
 R Tight fit of outer races in housing (high vibration, shock loading)
 S Machined pilot on face of flanged units
 V Viton seal material (when M seal suffix is used)
 Y Redesigned shaft size – not interchangeable
 04 C5 internal clearance (high temperature)
 05 C4 internal clearance (high speed)
 06 C0 internal clearance
 07 C2 internal clearance
 40 Preservative only, no lubrication in unit
 42 Grease designation for Chevron SRI #2
 43 Grease designation for Mobilith SHC460
 63 Grease designation for Mobilith SHC100
 66 Housing drilled both sides for aux caps
 72 Steel housing
 78 Steel retainers
 82 Inner race with Rexlon lined bore - teflon material

Seal Rating Guide

Application Conditions	Seal Ratings					
	Clearance	Light Contact	Heavy Contact	Viton	Triple Lip	Auxiliary Cap Consideration
	Z	K	M	M	G	
Shaft position						
Horizontal Shaft	4	4	4	4	4	
Vertical Shaft	1	3	4	4	4	
Operating Temperature						
Below -40°F	4	1	1	2	1	
-40°F to 0°F	4	3	3	4	3	
0°F to +250°F	4	4	4	4	4	
+250°F to +400°F	4	0	0	4	0	
Over 400°F	4	0	0	0	0	
Speed						
Equal to / Less than limit below	4	4	4	4	4	
More than limit below	4	1	1	1	1	
Vibration/Shock						
Occasional - Mild	3	4	4	4	4	
Occasional - Severe	2	4	4	4	4	
Continuous - Mild	1	4	3	3	3	
Continuous - Severe	0	4	3	3	3	
Abrasive Material						
Coarse - Over #10 Mesh	4	4	4	4	4	X
Small - #10 to #50 Mesh	3	4	4	4	4	X
Fine - #50 to #200 Mesh	1	3	4	4	4	X
Very fine - Under #200 Mesh	0	3	4	4	4	X
“Caking or buildup” (cement, etc.)	2	4	4	4	4	X
Moisture						
Splash	2	3	4	4	4	X
Rain	2	3	4	4	4	X
Saturated Atmosphere	1	3	4	4	4	X
Flooding	0	1	3	3	4	X
Pressure Wash	0	1	4	4	4	X
Fibrous Material						
Short Fibers (lint, etc.)	1	3	4	4	4	X
Long Fibers (grass, etc.)	1	3	4	4	4	X
Chemical						
Acid Fumes and Liquids	1	1	1	4	1	X
Alkaline Fumes and Liquids	1	1	1	4	1	X

To extend life in tough applications, our application experience indicates that special consideration should be given to the addition of Auxiliary Cap Seals in the areas shaded with and “X” on the chart.

Rating Code

- 4 - Excellent - Best seal for conditions listed.
- 3 - Good - Sealability is above average.
- 2 - Fair - Seal performs under intermittent conditions.
- 1 - Limited - Actual conditions must be known to evaluate sealability. Contact Rexnord for special assistance in the realm of materials and designs.
- 0 - Not acceptable - Will not effectively perform seal functions. Contact Rexnord for special assistance in the realm of materials and designs.

Seal Selection Guide

The choice of the seal for a mounted bearing is often the key to successful bearing operation and long service life. The SEAL SELECTION GUIDE incorporates years of Rexnord’s experience against the wide variety of conditions encountered on actual applications. Following the simple selection procedure outlined can translate the benefits of that broad experience to the individual applications through the choice of the most effective seal.

How to Use the Selection Guide

1. The appropriate seal for a given application may be selected by comparing the job application conditions against those listed in the Seal Rating Guide on this page.
2. When more than one application condition is present, the most appropriate seal may be selected based on prime sealing for the most detrimental condition, and secondary consideration given to the other application conditions.
3. Addition of auxiliary caps will enhance the primary seal performance shown in the chart.

Considerations in Addition to Seal Selection

Under certain adverse conditions, other changes should be considered to achieve maximum bearing life:

- A. High temperature lubricants where housing or ambient temperatures exceed +200°F;
- B. Special greases for additional bearing protection where excessive water, solvents or chemicals are present.
- C. EP (extreme pressure) greases where high load, high shock load, or continuous vibration is present.
- D. Readjustment of internal operating clearance of bearing where extreme high or low temperature conditions exist.

Seal Speed Limit Table*

Size Code	2	3	4	5	6	7	8	9	10	11	12	13	14	15	16	
Bearing Number	2000	2012	2102	2107	2111	2115	2203	2206	2211	2303	2311					
		2012	2103	2108	2112	2200	2204	2207	2208	2212	2307	2315				
		2100	2104						2215	2308	2400					
				3107	3111	3115	3203	3207	3211	3307	3315					
								3208	3215	3308						
(RPM)	5000		5107	5108	5115	5200	5207	5208	5303	5311	5403Y	5415	5507	5515	5607	
				5111		5203	5207	5215	5307	5315	5400Y	5407Y	5500	5600	5615	5700
	6000			6107	6111	6115	6203	6206	6211	6303	6311	6403Y	6415	6507	6515	6607
								6207	6212	6307	6315	6407Y			6615	
9000						9115	9203	9207	9211	9303	9311Y	9403	9415	9503	9515	
						9200		9208	9215	9307	9315Y	9407	9500	9507	9600	
									9300	9400Y				9607		
(RPM)	Z	6500	5750	5250	4450	4050	3650	3300	2800	2400	2050	1850	1600	1000	900	800
	K	4500	4000	3600	3100	2800	2500	2300	1900	1700	1400	N/A	N/A	N/A	N/A	N/A
	M	4400	3700	3300	2800	2500	2200	2000	1700	1400	1200	1100	1000	900	800	700
	G	N/A	2375	2175	1850	1675	1500	1350	1150	1000	850	775	650	N/A	N/A	N/A
Size Code	2	3	4	5	6	7	8	9	10	11	12	13	14	15	16	

Refer to Seal Rating Guide shown above for speeds in excess of those listed in this table.

*Actual bearing speed limits are largely based upon the applied load and can be found on the Load Rating Table.

Rex Spherical Roller Bearings Selection Guide

To select a bearing, determine the applied radial load, the applied thrust load, the desired Rating Life, and applicable operating conditions. The procedure shown here will aid in selecting a bearing to meet an L_{10} design life. The formulas for calculating life expectancy should be used to determine the Rating Life L_{10} for the bearing selected.

The selection procedures and rating formulas shown here are in agreement with The American Bearing Manufacturers Association Standards and ANSI/ABMA STD 9-1990. Ratings are based on fatigue life. The Rating Life L_{10} or fatigue life at 90% reliability is the usual basis for bearing selection.

To assure a satisfactory bearing application, fitting practice, mounting, lubrication, sealing, static rating, housing strength, operating conditions and maintenance must be considered.

Steps for Selection

Step 1

Determine an appropriate L_{10} design life.

Type of service	Operating time, hours per year	Design life, years	L_{10} design life, hours
Light seasonal usage	500 to 750	3-5	3,000
Heavy seasonal usage	1,400 to 1,600	4-6	8,000
Industrial—8 hour shift	2,000	10	20,000
Industrial—16 hour shift	4,000	10	40,000
Industrial—continuous	8,700	10	80,000 to 100,000

Step 2

Determine a required $\left(\frac{C}{P}\right)$ from Table 1.

Step 3

Calculate the required C and select a roller bearing.

a For radial load only:

$$P = F_r$$

$$\text{required } C = \left(\frac{C}{P}\right) P \text{ using } \left(\frac{C}{P}\right) \text{ from Step 2}$$

Select a roller bearing from Table 2 with a basic load rating C equal to or greater than the required C.

Step 3 (continued)

b For combined radial and thrust loads:

Select a trial roller bearing of the desired shaft size from Table 2.

Calculate the ratio of thrust load F_a to the radial load F_r .

$$\frac{F_a}{F_r}$$

Calculate the equivalent radial load P

$$P = X F_r + Y F_a$$

If $\frac{F_a}{F_r}$ is equal to or less than e, then $P = X1 F_r + Y1 F_a$

If $\frac{F_a}{F_r}$ is greater than e, then $P = X2 F_r + Y2 F_a$

For values of e, X1, Y1, X2, and Y2, see Table 2.

Calculate the required C

$$\text{required } C = \left(\frac{C}{P}\right) P \text{ using } \left(\frac{C}{P}\right) \text{ from Step 2.}$$

Consult Table 2, basic load rating. If a smaller bearing meets, or nearly meets, the required C, its life expectancy can be calculated.

Note: If the load P is greater than .25C, consult Rexnord Bearing Division.

Selection

Symbols for formulas:

- C = basic load rating, pounds (or newtons) n = speed, revolutions per minute
 Co = static load rating, pounds (or newtons) P = equivalent radial load, pounds (or newtons)
 e = a reference value X = radial factor
 Fa = thrust load, pounds (or newtons) Y = thrust factor
 Fr = radial load, pounds (or newtons)
 L₁₀ = rating life, hours

Table 1 • Relation of L₁₀ life and speed to $\left(\frac{C}{P}\right)$

Bearing Life Hours L ₁₀	Speed, n									
	50	100	200	300	400	500	600	700	800	
3000	1.93	2.38	2.93	3.31	3.61	3.86	4.07	4.27	4.44	
4000	2.11	2.59	3.19	3.61	3.93	4.20	4.44	4.65	4.84	
5000	2.25	2.77	3.42	3.86	4.20	4.50	4.75	4.97	5.18	
6000	2.38	2.93	3.61	4.07	4.44	4.75	5.02	5.25	5.47	
8000	2.59	3.19	3.93	4.44	4.84	5.18	5.47	5.73	5.96	
10000	2.77	3.42	4.20	4.75	5.18	5.54	5.85	6.12	6.37	
12000	2.93	3.61	4.44	5.02	5.47	5.85	6.18	6.47	6.73	
14000	3.07	3.78	4.65	5.25	5.73	6.12	6.47	6.77	7.05	
16000	3.19	3.93	4.84	5.47	5.96	6.37	6.73	7.05	7.34	
18000	3.31	4.07	5.02	5.66	6.18	6.60	6.97	7.30	7.60	
20000	3.42	4.20	5.18	5.85	6.37	6.81	7.20	7.54	7.85	
25000	3.65	4.50	5.54	6.25	6.81	7.29	7.70	8.06	8.39	
30000	3.86	4.75	5.85	6.60	7.20	7.70	8.13	8.51	8.86	
35000	4.04	4.97	6.12	6.92	7.54	8.06	8.51	8.92	9.28	
40000	4.20	5.18	6.37	7.20	7.85	8.39	8.86	9.28	9.66	
45000	4.36	5.36	6.60	7.46	8.13	8.69	9.18	9.61	10.00	
50000	4.50	5.54	6.81	7.70	8.39	8.97	9.48	9.92	10.30	
60000	4.75	5.85	7.20	8.13	8.86	9.48	10.00	10.50	10.90	
70000	4.97	6.12	7.54	8.51	9.28	9.92	10.50	11.00	11.40	
80000	5.18	6.37	7.85	8.86	9.66	10.30	10.90	11.40	11.90	
90000	5.36	6.60	8.13	9.18	10.00	10.70	11.30	11.80	12.30	
100000	5.54	6.81	8.39	9.48	10.30	11.00	11.70	12.20	12.70	
150000	6.25	7.70	9.48	10.70	11.70	12.50	13.20	13.80	14.40	
200000	6.81	8.39	10.30	11.70	12.70	13.60	14.40	15.00	15.70	

Bearing Life Hours L ₁₀	Speed, n									
	900	1000	1200	1500	1800	2400	3000	3600	6000	
3000	4.60	4.75	5.02	5.36	5.66	6.18	6.60	6.97	8.13	
4000	5.02	5.18	5.47	5.85	6.18	6.73	7.20	7.60	8.86	
5000	5.36	5.54	5.85	6.25	6.60	7.20	7.70	8.13	9.48	
6000	5.66	5.85	6.18	6.60	6.97	7.60	8.13	8.59	10.00	
8000	6.18	6.37	6.73	7.20	7.60	8.29	8.86	9.36	10.90	
10000	6.60	6.81	7.20	7.70	8.13	8.86	9.48	10.00	11.70	
12000	6.97	7.20	7.60	8.13	8.59	9.36	10.00	10.60	12.30	
14000	7.30	7.54	7.96	8.51	8.99	9.80	10.50	11.10	12.90	
16000	7.60	7.85	8.29	8.86	9.36	10.20	10.90	11.50	13.40	
18000	7.88	8.13	8.59	9.18	9.70	10.60	11.30	11.90	13.90	
20000	8.13	8.39	8.86	9.48	10.00	10.90	11.70	12.30	14.40	
25000	8.69	8.97	9.48	10.10	10.70	11.70	12.50	13.20	15.40	
30000	9.18	9.48	10.00	10.70	11.30	12.30	13.20	13.90	16.20	
35000	9.61	9.92	10.50	11.20	11.80	12.90	13.80	14.60	17.00	
40000	10.00	10.30	10.90	11.70	12.30	13.40	14.40	15.20	17.70	
45000	10.40	10.70	11.30	12.10	12.80	13.90	14.90	15.70	18.30	
50000	10.70	11.00	11.70	12.50	13.20	14.40	15.40	16.20	18.90	
60000	11.30	11.70	12.30	13.20	13.90	15.20	16.20	17.10	20.00	
70000	11.80	12.20	12.90	13.80	14.60	15.90	17.00	17.90	20.90	
80000	12.30	12.70	13.40	14.40	15.20	16.50	17.70	18.70	21.80	
90000	12.80	13.20	13.90	14.90	15.70	17.10	18.30	19.40	22.60	
100000	13.20	13.60	14.40	15.40	16.20	17.70	18.90	20.00	23.30	
150000	14.90	15.40	16.20	17.30	18.30	20.00	21.40	22.60	26.30	
200000	16.20	16.70	17.70	18.90	20.00	21.80	23.30	24.60	28.70	

Basic Formula

$$\left(\frac{C}{P}\right) = \left(\frac{L_{10} \times n \times 60}{1,000,000}\right)^{3/10}$$

$$L_{10} = \frac{\left(\frac{C}{P}\right)^{10/3} \times 1,000,000}{n \times 60}$$

Life Expectancy

To calculate the Rating Life L₁₀ of any selected or trial bearing:

Step 1

Determine the equivalent radial load P.

a For radial load only:

$$P = Fr$$

b For combined radial and thrust load:

$$P = XFr + YFa$$

if $\frac{Fa}{Fr}$ is equal to or less than e, then

$$P = X1Fr + Y1Fa$$

if $\frac{Fa}{Fr}$ is greater than e, then

$$P = X2Fr + Y2Fa$$

For values of e, X1, Y1, X2, and Y2, consult the appropriate bearing rating Table 2.

Step 2

Calculate the ratio of the basic load rating C to the equivalent radial load.

$$\left(\frac{C}{P}\right)$$

Step 3

Approximate the bearing life from Table 1.

Life Adjustment

The Rating Life, L₁₀, may be modified for some applications in accordance with the formula

$$Ln = a1a2a3L_{10}$$

where Ln = Adjusted life for (100-n) % reliability,

a₁ = Life adjustment factor for reliability

a₂ = Life adjustment factor

for material and processing

a₃ = Life adjustment factor for operating conditions.

For most normal applications, all factors will be taken as 1, and the Rating Life used as the selection basis or life estimate. In addition, as long as standard catalog bearings are used, a₂ will be normally set equal to one.

The factor a₃ covers such things as lubrication, misalignment, and temperature. Some conditions that could yield a₃ significantly different than unity include speeds less than 20000 DN or greater than 200000 DN, temperatures below -40°F (-40°C) or above 275°F (135°C). For other possible conditions, as well as additional information on life adjustment factors, consult Rexnord Bearing Division.

Table 2 • Load Ratings and Speed Limits

Size Code	Co Static load rating		C Basic load rating*		Approximate speed limit RPM				e	Fa Fr ≤ e		Fa Fr > e	
	newtons	pounds	newtons	pounds	Z seal	K seal	M seal	G seal		X1	Y1	X2	Y2
2	66279	14900	68147	15,320	6500	4500	4400	-	0.51	1.00	1.32	0.67	1.96
3	81402	18300	83849	18,850	5750	4000	3700	2375	0.48	1.00	1.40	0.67	2.09
4	92968	20900	88342	19,860	5250	3600	3300	2175	0.44	1.00	1.54	0.67	2.29
5	127664	28700	123750	27,820	4450	3100	2800	1850	0.45	1.00	1.51	0.67	2.24
6	147681	33200	128509	28,890	4050	2800	2500	1675	0.40	1.00	1.68	0.67	2.50
7	197501	44400	161782	36,370	3650	2500	2200	1500	0.40	1.00	1.68	0.67	2.50
8	237980	53500	192341	43,240	3300	2300	2000	1350	0.38	1.00	1.80	0.67	2.68
9	318048	71500	256885	57,750	2800	1900	1700	1150	0.38	1.00	1.79	0.67	2.66
10	403454	90700	375119	84,330	2400	1700	1400	1000	0.38	1.00	1.77	0.67	2.63
11	609406	137000	582584	130,970	2050	1400	1200	850	0.36	1.00	1.88	0.67	2.80
12	708602	159300	665009	149,500	1850	-	1100	775	0.33	1.00	2.02	0.67	3.00
13	1076025	241900	850055	191,100	1600	-	1000	650	0.37	1.00	1.81	0.67	2.70
14	1219258	274100	1021401	229,620	1000	-	900	-	0.38	1.00	1.78	0.67	2.66
15	1354928	304600	1104049	248,200	900	-	800	-	0.35	1.00	1.93	0.67	2.87
16	1759272	395500	1378326	309,860	800	-	700	-	0.33	1.00	2.07	0.67	3.09

*Values in table represent the 9000 and 6000 series bearings. When commercial grade shafting and clearance mounting are used, the table values should be reduced up to 5% for the 5000 series, 10% reduction for 3000 and reduced up to 15% for the 2000 series.

Adjustment Table

Size Code	Shaft Size (Inches)			Standard Factory Adjustment (Average Speed and Temperature)			Recommended Adjustment High Speeds				Clearance Adjustment Inches Per 15 Degrees	
	2000 Series	3000 Series	5000 Series	Standard Degrees Adjust	Standard Radial Clearance	Standard Axial Clearance	Speed Over	High Speed Degrees Adjust.	High Speed Radial Clearance	High Speed Axial Clearance	Radial	Axial
2	3/4 - 1	-	-	45	.0022-.0028	.0068-.0086	2000	55	.0028-.0034	.0086-.0105	0.001	0.003
3	1 1/8-1 1/4	-	-	50	.0024-.0030	.0078-.0098	2000	60	.0030-.0036	.0098-.0117	0.001	0.003
4	1 7/16-1 1/2	1 7/16	1 7/16	55	.0025-.0031	.0088-.0109	2000	65	.0031-.0037	.0110-.0130	0.001	0.003
5	1 11/16-1 3/4	1 11/16	1 1/2- 1 11/16	60	.0029-.0037	.0101-.0128	1500	70	.0037-.0045	.0128-.0156	0.001	0.003
6	1 15/16-2	1 15/16	1 15/16	65	.0033-.0041	.0127-.0157	1500	105	.0041-.0049	.0157-.0188	0.001	0.003
7	2 3/16-2 1/4	2 3/16	2-2 3/16	60	.0031-.0039	.0119-.0149	1250	75	.0039-.0047	.0150-.0180	0.001	0.003
8	2 3/8-2 1/2	2 7/16-2 1/2	2 7/16	65	.0032-.0040	.0131-.0163	1250	80	.0040-.0048	.0163-.0196	0.001	0.003
9	2 11/16-3	2 11/16-2 15/16	2 1/2-2 15/16	80	.0040-.0052	.0163-.0211	1250	100	.0052-.0064	.0211-.0259	0.001	0.004
10	3 3/16-3 1/2	3 7/16-3 1/2	3 3/16-3 7/16	100	.0050-.0064	.0201-.0257	1000	125	.0064-.0076	.0257-.0304	0.001	0.003
11	3 11/16-4	3 15/16	3 11/16-4	120	.0056-.0072	.0239-.0306	1000	150	.0072-.0088	.0306-.0373	0.001	0.003
12	-	-	4 3/16-4 1/2	80	.0059-.0075	.0241-.0306	750	100	.0075-.0091	.0306-.0371	0.001	0.005
13	-	-	4 15/16-5	90	.0069-.0087	.0288-.0362	750	115	.0087-.0105	.0362-.0436	0.001	0.005
14	-	-	5 7/16	90	.0075-.0094	.0305-.0381	500	120	.0094-.0113	.0381-.0457	0.001	0.006
15	-	-	5 15/16-6	120	.0087-.0110	.0380-.0479	500	150	.0110-.0133	.0480-.0578	0.001	0.005
16	-	-	6 7/16-7	150	.0094-.0122	.0439-.0568	500	180	.0122-.0150	.0568-.0697	0.001	0.005

Size Code	Shaft Size (Inches)	Standard Factory Adjustment (Average Speed and Temperature)					Recommended Adjustment High Speeds						Clearance Adjustment Inches Per 15 Degrees	
		6000 Series	Standard Factory Degrees Adjustment	Unmounted Radial Clearance	*Mounted Standard Radial Clearance	Unmounted Standard Axial Clearance	*Mounted Standard Axial Clearance	Speed Over	High Speed Deg. Adj.	Unmounted High Speed Radial Clearance	*Mounted High Speed Radial Clearance	Unmounted High Speed Axial Clearance	*Mounted High Speed Axial Clearance	Radial
4	1 7/16	65	.0031-.0037	.0027-.0032	.0110-.0130	.0094-.0111	2000	80	.0037-.0043	.0033-.0038	.0131-.0151	.0118-.0132	0.001	0.003
5	1 11/16	70	.0037-.0045	.0030-.0036	.0128-.0156	.0107-.0130	1500	95	.0045-.0053	.0039-.0046	.0156-.0183	.0134-.0158	0.001	0.003
6	1 15/16	105	.0041-.0049	.0036-.0043	.0157-.0188	.0135-.0161	1500	115	.0049-.0057	.0045-.0052	.0188-.0218	.0169-.0195	0.001	0.003
7	2 3/16	75	.0039-.0047	.0033-.0042	.0150-.0180	.0122-.0156	1250	85	.0047-.0055	.0042-.0051	.0180-.0210	.0156-.0191	0.001	0.004
8	2 3/8 - 2 7/16	80	.0040-.0048	.0033-.0042	.0163-.0196	.0133-.0168	1250	95	.0048-.0056	.0042-.0051	.0196-.0228	.0168-.0203	0.001	0.004
9	2 11/16 - 2 15/16	100	.0052-.0064	.0042-.0051	.0211-.0259	.0168-.0203	1250	120	.0064-.0076	.0054-.0063	.0260-.0307	.0214-.0249	0.001	0.004
10	3 3/16 - 3 7/16	125	.0064-.0076	.0055-.0063	.0257-.0304	.0214-.0249	1000	140	.0076-.0088	.0069-.0078	.0304-.0352	.0272-.0307	0.001	0.004
11	3 11/16 - 3 15/16	150	.0072-.0088	.0062-.0071	.0306-.0373	.0260-.0295	1000	170	.0084-.0100	.0079-.0087	.0357-.0423	.0330-.0365	0.001	0.004
12	4 3/16 - 4 7/16	100	.0075-.0091	.0056-.0068	.0306-.0371	.0252-.0304	750	115	.0091-.0107	.0072-.0083	.0371-.0435	.0321-.0373	0.001	0.005
13	4 15/16	115	.0087-.0105	.0071-.0084	.0362-.0436	.0286-.0339	750	135	.0105-.0123	.0093-.0106	.0436-.0510	.0373-.0425	0.001	0.005
14	5 7/16	120	.0094-.0113	.0072-.0085	.0381-.0457	.0286-.0339	500	145	.0113-.0132	.0099-.0112	.0457-.0533	.0391-.0443	0.001	0.005
15	5 15/16	150	.0110-.0133	.0091-.0103	.0480-.0578	.0391-.0443	500	180	.0133-.0156	.0115-.0128	.0579-.0677	.0495-.0547	0.001	0.005
16	6 7/16 - 6 15/16	180	.0122-.0150	.0107-.0119	.0569-.0697	.0495-.0547	500	220	.0150-.0178	.0130-.0141	.0697-.0825	.0599-.0651	0.001	0.005

Size Code	Shaft Size (Inches)	Standard Factory Adjustment (Average Speed and Temperature)					Recommended Adjustment High Speeds						Clearance Adjustment Inches Per 15 Degrees	
		9000 Series	Standard Factory Degrees Adjustment	Unmounted Radial Clearance	*Mounted Standard Radial Clearance	Unmounted Standard Axial Clearance	*Mounted Standard Axial Clearance	Speed Over	High Speed Deg. Adj.	Unmounted High Speed Radial Clearance	*Mounted High Speed Radial Clearance	Unmounted High Speed Axial Clearance	*Mounted High Speed Axial Clearance	Radial
7	1 15/16 - 2	75	.0039-.0047	.0031-.0039	.0150-.0180	.0119-.0149	1250	85	.0047-.0055	.0039-.0047	.0180-.0210	.0150-.0180	0.001	0.003
8	2 3/16	80	.0040-.0048	.0032-.0040	.0163-.0196	.0131-.0163	1250	95	.0048-.0056	.0040-.0048	.0196-.0228	.0163-.0196	0.001	0.003
9	2 7/16 - 2 1/2	100	.0052-.0064	.0040-.0052	.0211-.0259	.0163-.0211	1250	120	.0064-.0076	.0052-.0064	.0260-.0307	.0211-.0259	0.001	0.004
10	2 11/16 - 2 15/16	125	.0064-.0076	.0050-.0064	.0257-.0304	.0201-.0257	1000	140	.0076-.0088	.0064-.0076	.0304-.0352	.0257-.0304	0.001	0.003
11	3 3/16 - 3 7/16	150	.0072-.0088	.0056-.0072	.0306-.0373	.0239-.0306	1000	170	.0084-.0100	.0072-.0088	.0357-.0423	.0306-.0373	0.001	0.003
12	3 11/16 - 4	100	.0075-.0091	.0059-.0075	.0306-.0371	.0241-.0306	750	115	.0091-.0107	.0075-.0091	.0371-.0435	.0306-.0371	0.001	0.005
13	4 3/16 - 4 7/16	115	.0087-.0105	.0069-.0087	.0362-.0436	.0288-.0362	750	135	.0105-.0123	.0087-.0105	.0436-.0510	.0362-.0436	0.001	0.005
14	4 15/16 - 5	120	.0094-.0113	.0075-.0094	.0381-.0457	.0305-.0381	500	145	.0113-.0132	.0094-.0113	.0457-.0533	.0381-.0457	0.001	0.006
15	5 3/16 - 5 7/16	150	.0110-.0133	.0087-.0110	.0480-.0578	.0380-.0479	500	180	.0133-.0156	.0110-.0133	.0579-.0677	.0480-.0578	0.001	0.005
16	5 15/16 - 6 7/16	180	.0122-.0150	.0094-.0122	.0569-.0697	.0439-.0568	500	220	.0150-.0178	.0122-.0150	.0697-.0825	.0569-.0697	0.001	0.005
16	6 7/16 - 6 15/16	180	.0122-.0150	.0107-.0119	.0569-.0697	.0495-.0547	500	220	.0150-.0178	.0130-.0141	.0697-.0825	.0599-.0651	0.001	0.005

*Mounted clearance result of tightening tapered adapter

Table 3 • Rex Size Code Interchange Table

Shaft Size	REX 2000 Single Set Collar Bearing Number	REX 3000 Twist Lock Eccentric Lock Bearing Number	REX 5000 Double Set Collar Bearing Number	REX 6000 ShurLoK Tapered Adapter Bearing Number	REX 9000 Tapered Adapter Bearing Number	Size Code	Approx Outer Race Dia.
3/4 15/16 25mm 1	2012 2015 2025MM 2100					2	2.370
1-1/8 30mm 1-3/16 1-1/4	2102 2030MM 2103 2104					3	2.630
35mm 1-7/16 1-1/2	2035MM 2107 2108	3107	5107	6107		4	2.830
1-1/2 40mm 1-11/16 1-3/4 45mm	2040MM 2111 2112 2045MM	3111	5108 5040MM 5111	6111		5	3.340
1-15/16 50mm 2	2115 2050MM 2200	3115	5115 5050MM	6115 6045MM		6	3.540
50mm 1-15/16 2 55mm 2-3/16 2-1/4	2055MM 2203 2204	3203	5200 5055MM 5203	6050MM 6055MM 6203	9050MM 9115 9200	7	3.940
55mm 2-3-16 60mm 2-3/8 2-7/16 2-1/2 65mm	2060MM 2206 2207 2208 2065MM	3207 3208	5060MM 5207 5065MM	6060MM 6206 6207	9055MM 9203	8	4.320
2-7/16 2-1/2 65mm 2-11/16 2-3/4 70mm 2-15/16 75mm 3	2211 2212 2070MM 2215 2075MM 2300	3211 3215	5208 5211 5070MM 5215 5075MM	6065MM 6211 6212 6070MM 6215 6075MM	9207 9208	9	5.120
2-11/16 2-15/16 75mm 80mm 3-3/16 85mm 3-7/16 3-1/2 90mm	2080MM 2303 2085MM 2307 2308 2090MM	3307 3308	5080MM 5303 5085MM 5307 5090MM	6080MM 6303 6085MM 6307	9211 9215 9075MM	10	5.900
80mm 3-3/16 3-7/16 90mm 3-11/16 100mm 3-15/16 4	2311 2100MM 2315 2400	3315	5311 5100MM 5315 5400	6090MM 6311 6100MM 6315	9080MM 9303 9307	11	7.090
3-11/16 100mm 3-15/16 4 4-3-16 110mm 4-7/16 4-1/2 115mm			5403Y 5110MM 5407Y 5408Y 5115MM	6403Y 6110MM 6407Y	9311Y 9100MM 9315Y 9400Y	12	7.680
4-3/16 4-7/16 125mm 4-15/16 5 130mm			5125MM 5415 5500 5130MM	6125MM 6415	9403 9407	13	9.050
4-15/16 5 5-7/16 140mm			5507 5140MM	6507	9415 9500	14	10.630
5-3-16 5-7/16 150mm 5-15/16 6 160mm			5150MM 5515 5600 5160MM	6515	9503 9507	15	11.420
5-15/16 6 6-7/16 6-15/16 7 180mm			5607 5615 5700 5180MM	6607 6615	9515 9600 9607	16	12.600

Table 4 • Radial Load Ratings in Pounds at Various RPM for Appropriate L₁₀ Life Hours

Size Code	L ₁₀ Minimum Life Hours	Speed, RPM																	
		50	100	200	300	400	500	600	700	800	900	1000	1200	1500	1800	2000	2500	3000	3500
2	8000	*	*	*	3449	3164	2959	2802	2675	2570	2481	2404	2276	2128	2015	1952	1826	1729	1651
	20000	*	3643	2959	2620	2404	2248	2128	2032	1952	1885	1826	1729	1617	1531	1483	1387	1313	1254
	40000	3643	2959	2404	2128	1952	1826	1729	1651	1586	1531	1483	1404	1313	1243	1205	1127	1067	1018
	100000	2768	2248	1826	1617	1483	1387	1313	1254	1205	1163	1127	1067	998	945	915	856	810	774
3	8000	*	*	*	4243	3893	3640	3447	3291	3162	3052	2957	2800	2618	2479	2402	2246	2127	2031
	20000	*	4482	3640	3224	2957	2766	2618	2500	2402	2318	2246	2127	1989	1883	1825	1706	1616	1543
	40000	4482	3640	2957	2618	2402	2246	2127	2031	1951	1883	1825	1727	1616	1530	1482	1386	1312	1253
	100000	3405	2766	2246	1989	1825	1706	1616	1543	1482	1431	1386	1312	1227	1162	1126	1053	997	952
4	8000	*	*	*	4471	4101	3836	3631	3467	3331	3215	3115	2950	2759	2612	2531	2367	2241	2139
	20000	*	4722	3836	3396	3115	2914	2759	2634	2531	2443	2367	2241	2096	1984	1922	1798	1702	1625
	40000	4722	3836	3115	2759	2531	2367	2241	2139	2055	1984	1922	1820	1702	1612	1561	1460	1383	1320
	100000	3587	2914	2367	2096	1922	1798	1702	1625	1561	1507	1460	1383	1293	1224	1186	1109	1050	1003
5	8000	*	*	*	6263	5745	5373	5087	4857	4666	4504	4364	4132	3864	3659	3545	3315	3139	2997
	20000	*	6615	5373	4757	4364	4081	3864	3690	3545	3422	3315	3139	2935	2779	2693	2518	2384	2277
	40000	6615	5373	4364	3864	3545	3315	3139	2997	2879	2779	2693	2549	2384	2257	2187	2046	1937	1849
	100000	5025	4081	3315	2935	2693	2518	2384	2277	2187	2111	2046	1937	1811	1715	1662	1554	1471	1405
6	8000	*	*	*	6504	5966	5580	5283	5044	4846	4678	4532	4291	4013	3800	3681	3443	3260	3112
	20000	*	6870	5580	4941	4532	4239	4013	3832	3681	3554	3443	3260	3049	2886	2797	2615	2476	2364
	40000	6870	5580	4532	4013	3681	3443	3260	3112	2990	2886	2797	2648	2476	2344	2272	2124	2011	1920
	100000	5219	4239	3443	3049	2797	2615	2476	2364	2272	2193	2124	2011	1881	1781	1726	1614	1528	1459
7	8000	*	*	*	8189	7512	7026	6652	6351	6102	5890	5707	5403	5053	4784	4635	4335	4104	3919
	20000	*	8649	7026	6221	5707	5337	5053	4825	4635	4474	4335	4104	3839	3634	3521	3293	3118	2977
	40000	8649	7026	5707	5053	4635	4335	4104	3919	3765	3634	3521	3334	3118	2952	2860	2675	2532	2418
	100000	6571	5337	4335	3839	3521	3293	3118	2977	2860	2761	2675	2532	2368	2242	2173	2032	1924	1837
8	8000	*	*	*	9735	8930	8352	7907	7550	7254	7002	6784	6423	6007	5687	5510	5153	4879	4699
	20000	*	10283	8352	7395	6784	6345	6007	5736	5510	5319	5153	4879	4563	4320	4186	3915	3707	
	40000	10283	8352	6784	6007	5510	5153	4879	4659	4476	4320	4186	3963	3707	3509	3400	3180	3011	
	100000	7811	6345	5153	4563	4186	3915	3707	3539	3400	3282	3180	3011	2816	2666	2583	2416	2287	
9	8000	*	*	*	13003	11927	11155	10561	10084	9688	9352	9061	8578	8023	7596	7360	6883	6517	6095
	20000	*	13734	11155	9877	9061	8474	8023	7660	7360	7104	6883	6517	6095	5770	5591	5229	4951	4647
	40000	13734	11155	9061	8023	7360	6883	6517	6222	5978	5770	5591	5293	4950	4687	4541	4247	4021	3761
	100000	10433	8474	6883	6095	5591	5229	4950	4727	4541	4383	4247	4021	3761	3560	3450	3226		
10	8000	*	*	*	18987	17417	16289	15422	14725	14147	13656	13231	12526	11715	11092	10747	10051	9516	8900
	20000	*	20054	16289	14423	13231	12374	11715	11186	10747	10374	10051	9516	8900	8426	8164	7635	7229	6844
	40000	20054	16289	13231	11715	10747	10051	9516	9086	8729	8426	8164	7729	7229	6844	6631	6202	5872	5491
	100000	15234	12374	10051	8900	8164	7635	7229	6902	6631	6401	6202	5872	5491	5199	5037	4711		
11	8000	*	*	*	29487	27049	25298	23951	22869	21971	21208	20548	19454	18195	17226	16690	15609	14779	13822
	20000	*	31145	25298	22400	20548	19217	18195	17372	16690	16111	15609	14779	13822	13086	12679	12004	11227	10629
	40000	31145	25298	20548	18195	16690	15609	14779	14111	13557	13086	12679	12004	11227	10629	10298	9632	9119	8528
	100000	23660	19217	15609	13822	12679	11858	11227	10719	10298	9941	9632	9119	8528	8074	7823			
12	8000	*	*	*	33661	30877	28878	27341	26105	25080	24209	23456	22208	20770	19664	18831	17819	16870	15778
	20000	*	35553	28878	25570	23456	21937	20770	19831	19052	18391	17819	16870	15778	14938	14173	13703	12816	12133
	40000	35553	28878	23456	20770	19052	17819	16870	16108	15475	14938	14473	13703	12816	12133	11236	10995	10409	9735
	100000	27008	21937	17819	15778	14473	13536	12816	12236	11756	11348	10995	10409	9735	9217				
13	8000	*	*	*	43026	39469	36913	34948	33369	32058	30945	29983	28387	26549	25349	24353	23508	22777	21564
	20000	*	45445	36913	32685	29983	28041	26549	25349	24353	23508	22777	21564	20590	19781	19094	18500	17516	16381
	40000	45445	36913	29983	26549	24353	22777	21564	20590	19781	19094	18500	17516	16381	15641	15027	14505	14054	13306
	100000	34523	28041	22777	20168	18500	17302	16381	15641	15027	14505	14054	13306	12444					
14	8000	*	*	*	51700	47425	44355	41994	40096	38521	37184	36027	33694	31901	30459	29263	28247	27368	
	20000	*	54607	44355	39275	36027	33694	31901	30459	29263	28247	27368	25912	24741	23769	22944	22230		
	40000	54607	44355	36027	31901	29263	27368	25912	24741	23769	22944	22230	20791	19684	18794	18056	17429	16887	
	100000	41483	33694	27368	24234	22230	20791	19684	18794	18056	17429	16887							
15	8000	*	*	*	55885	51264	47944	45392	43341	41639	40194	38943	36421	34483	32924	31632	30533	29583	
	20000	*	59027	47944	42453	38943	36421	34483	32924	31632	30533	29583	28009	26743	25693	24801	24029		
	40000	59027	47944	38943	34483	31632	29583	28009	26743	25693	24801	24029	22473	21277	20315	19518	18840	18254	
	100000	44840	36421	29583	26195	24029	22473	21277	20315	19518	18840	18254							
16	8000	*	*	*	69766	63998	59854	56668	54107	51982	50054	48054	46054	44054	42054	40054	38054	36054	
	20000	*	73689	59854	52998	48616	45468	43048	41103	39489	38054	36619	35184	33749	32314	30879	29444	28009	
	40000	73689	59854	48616	43048	39489	36932	34966	33386	32075	30664	29253	27842	26431	25020	23609	22198	20787	
	100000	55978	45468	36932	32702	29998	28055	26562	25362	24366									

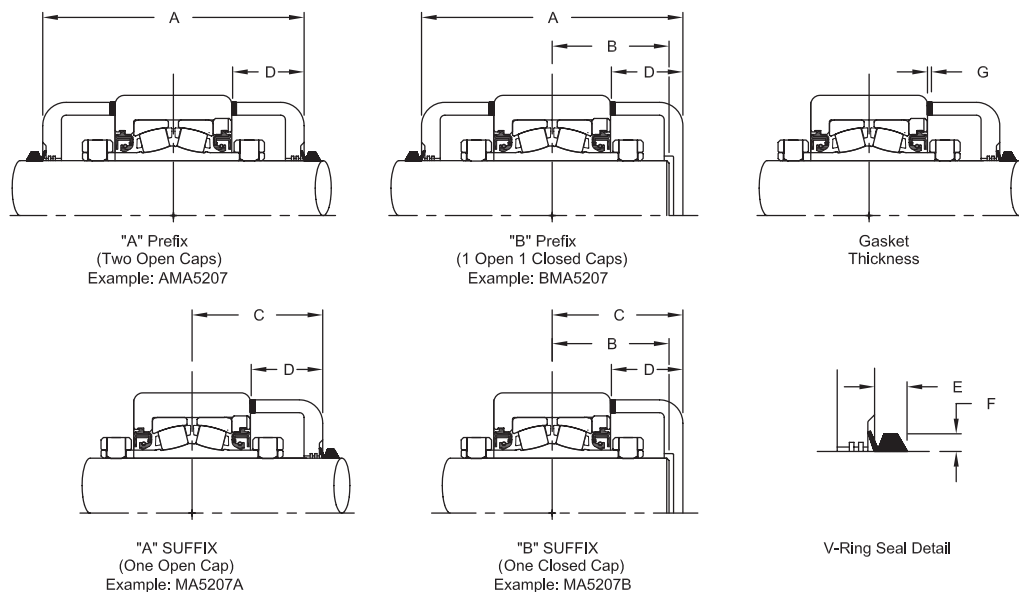
*Load exceeds 25% of the C rating, consult Rexnord Bearing Division.

Shaded areas may require additional axial clearance and/or high speed temperature lubricant due to higher operating temperatures.

Auxiliary Cap Seals for 2000, 3000, 5000, 9000 Series

Kit Nomenclature

Symbol	Description	A	S	9	-	2	1	5
A	open cap	-----						
B	closed cap	-----						
S	floating type	-----						
*	leave blank for fixed type	-----						
4-16	bearing size code from dimension page	-----						
215	2 15/16" last two digits in 16th of an inch	-----						
*	not required for closed style caps	-----						



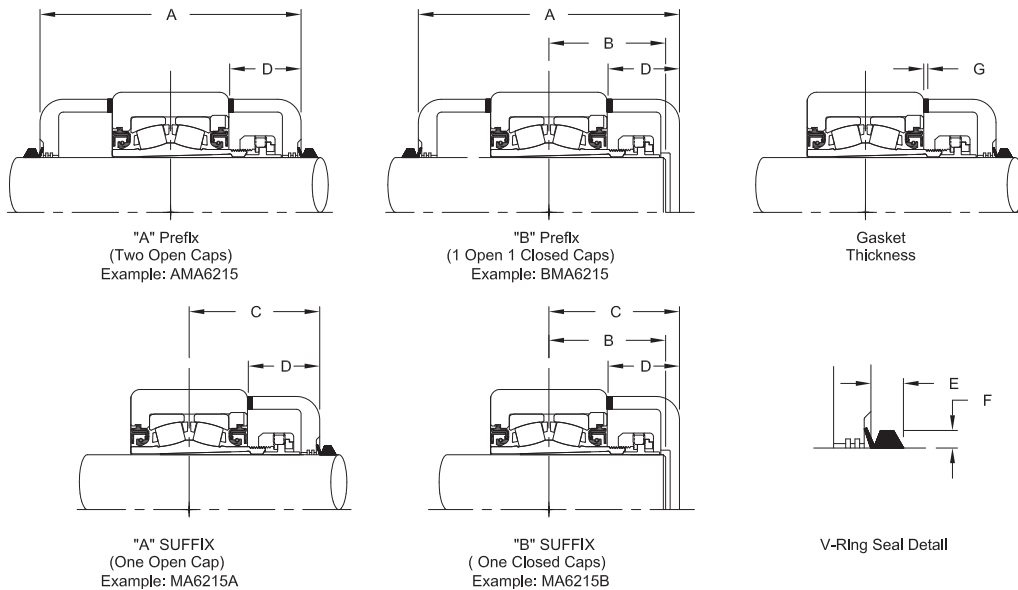
Cast Iron Auxiliary Cap

Size Code	Fixed Bearings Only				Floating (Expansion) Bearings Only				V-Ring Seal		Gasket G
	A	B	C	D*	A	B	C	D*	E	F	
4	5 5/16	2 5/16	2 11/16	1 9/16	5 1/2	2 3/8	2 3/4	1 17/32	5/16	3/16	3/16
5	5 1/2	2 7/16	2 3/4	1 17/32	5 3/4	2 1/2	2 7/8	1 15/32	3/8	3/16	
6	5 9/16	2 7/16	2 13/16	1 9/16	5 3/4	2 1/2	2 7/8	1 17/32			
7	5 3/4	2 1/2	2 7/8	1 19/32	6 1/16	2 5/8	3 1/16	1 21/32			
8	6 1/16	2 3/4	3 1/16	1 23/32	6 5/16	2 3/4	3 3/16	1 23/32	7/16	1/4	
9	7	3 1/8	3 1/2	1 15/16	6 15/16	3 1/16	3 1/2	1 25/32			
10	6 15/16	3 1/16	3 1/2	1 13/16	7 3/8	3 5/8	3 11/16	1 29/32			
11	8 5/16	3 5/8	4 3/16	2 5/32	8 9/16	3 3/4	4 5/16	2 5/32	9/16	5/16	
12	8 1/2	3 3/4	4 1/4	2 3/16	9 3/8	4 5/16	4 11/16	2 1/2			
13	10 1/8	4 1/2	5 1/16	2 9/32	10 9/16	4 3/4	5 5/16	2 9/32			
14	10 1/8	4 1/2	5 1/16	2 9/32	11 1/16	5	5 9/16	2 5/8			
15	11 1/16	4 15/16	5 9/16	2 5/8	11 1/2	4 15/16	5 3/4	2 3/4	5/8	3/8	
16	11 3/16	5	5 5/8	2 1/2	11 5/8	5 1/4	5 13/16	2 5/8			

Adapter Auxiliary End Cap Dimensions for 6000 Series Size Codes 6-13

Kit Nomenclature

Symbol	Description	A	S	9	6	2	15	
A	open cap	----- ----- ----- ----- -----						
B	closed cap	----- ----- ----- ----- -----						
S	floating type	----- ----- ----- ----- -----						
*	leave blank for fixed type	----- ----- ----- ----- -----						
6-13	bearing size code from dimension page	----- ----- ----- ----- -----						
6	Type "A" open caps	----- ----- ----- ----- -----						
6000	type "B" closed caps	----- ----- ----- ----- -----						
215	2 15/16" last two digits in 16th of an inch	----- ----- ----- ----- -----						
*	not required for closed style caps	----- ----- ----- ----- -----						



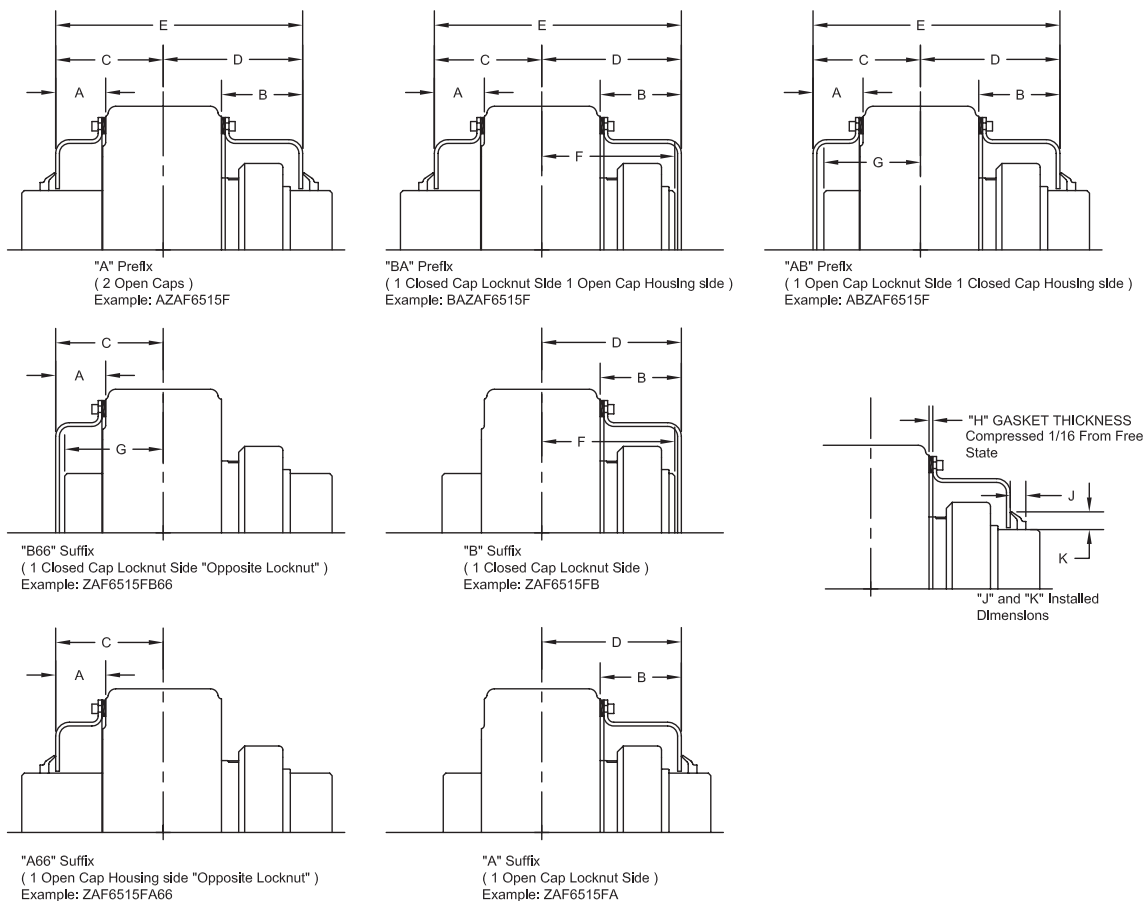
6000 Series Adapter Mount Auxiliary Cap Dimensions

Bearing Number	Size Code	Cast Iron Auxiliary Caps														V-Ring Seal	Gasket	
		Fixed Bearings Only				Floating (Expansion) ZAFS Bearings Only				Floating (Expansion) ZPS, ZFS Bearings Only				E	F			G
		A	B	C	D	A	B	C	D	A	B	C	D					
6115	6	5 7/8	2 9/16	2 15/16	1 23/32	6 1/4	2 11/16	3 1/8	1 29/32	6 1/2	2 13/16	3 1/4	1 29/32	3/8	3/16	3/16		
6203	7	6 1/16	2 5/8	3 1/32	1 3/4	6 7/16	2 25/32	3 7/32	1 15/16	6 5/8	2 7/8	3 5/16	1 15/16					
6206	8	6 11/16	3 1/32	3 11/32	2 1/32	7 3/16	3 5/32	3 19/32	2 9/32	7 7/16	3 9/32	3 23/32	2 9/32					
6207																		
6211	9	7 1/4	3 1/16	3 5/8	2 1/16	7 3/4	3 7/16	3 7/8	2 5/16	8	3 9/16	4	2 5/16	7/16	1/4			
6212																		
6215																		
6303	10	7 15/16	3 17/32	3 31/32	2 1/4	8 7/16	3 25/32	4 7/32	2 1/2	8 11/16	3 29/32	4 11/32	2 1/2	9/16	5/16			
6307																		
6311	11	9	3 15/16	4 1/2	2 7/16	9 1/2	4 3/16	4 3/4	2 11/16	9 3/4	4 5/16	4 7/8	2 11/16	9/16	5/16			
6315																		
6403Y	12	9 7/16	4 5/32	4 23/32	2 19/32	10 3/16	4 21/32	5 3/32	2 31/32	10 7/16	4 31/32	5 7/32	2 31/32	9/16	5/16			
6407Y																		
6415	13	11 5/8	5 1/4	5 13/16	3 1/32	12 3/8	5 5/8	6 3/16	3 13/32	12 13/16	5 27/32	6 13/32	3 13/32					

Adapter Auxiliary End Cap Dimensions for 6000 Series Size Codes 14-16

Kit Nomenclature

Symbol	Description	A	S	14	6	507	
A	open cap						
B	closed cap						
S	floating type						
*	leave blank for fixed type						
14-16	bearing size code from dimension page						
6	Type "A" open caps						
6000	type "B" closed caps						
507	5-7/16" last two digits in 16th of an inch						
*	not required for closed style caps						



6000 Series Adapter Mount Auxiliary Cap Dimensions (Size codes 14-16)

Steel Auxiliary Caps																			
Bearing Number	Size Code	Fixed Bearings Only (No ZLF)								Floating (Expansion) ZPS, ZAFS Bearings Only								V-Ring Seal	
		A	B	C	D	E	F	G	*H	A	B	C	D	E	F	G	**H	J	K
6507	14	2 5/32	3 11/16	4 29/32	6 1/2	11 13/32	6 1/8	4 3/16	3/16	2 11/16	3 31/32	5 19/32	6 7/8	12 15/32	4 1/2	6 1/8	3/8	5/8	7 3/32
6515	15	2 1/2	4 1/16	5 3/8	6 63/64	12 23/64	6 5/8	4 11/16	3/16	2 9/16	4 3/8	5 9/16	7 3/8	12 15/16	6 5/8	4 3/8	3/8	45/64	7 13/16
6607	16	2 3/8	4 5/16	5 7/16	7 13/32	12 27/32	7	4 3/4	3/16	2 11/16	4 5/8	5 7/8	7 13/16	13 11/16	7	4 3/4	3/8	45/64	8 5/16
6615																		45/64	8 13/16
Bearing Number	Size Code	ZLF-ZLFS Split Housed Bearings Only								V-Ring Seal		*H-compressed thickness. Free state is 1/4"							
		A	B	C	D	E	F	G	*H	J	K	**H-compressed thickness. Free state 1/4. 2 gaskets required							
6507	14	2 1/2	3 25/32	5 7/8	7 5/32	13 1/32	6	5 3/16	3/16	5/8	7 3/32								
6515	15	2 3/8	4 3/16	5 7/8	7 11/16	13 9/16	6 1/2	5 3/16	3/16	45/64	7 13/16								
6607	16	2 1/2	4 7/16	6 3/16	8 1/8	14 5/16	6 7/8	5 1/2	3/16	45/64	8 5/16								
6615										45/64	8 13/16								

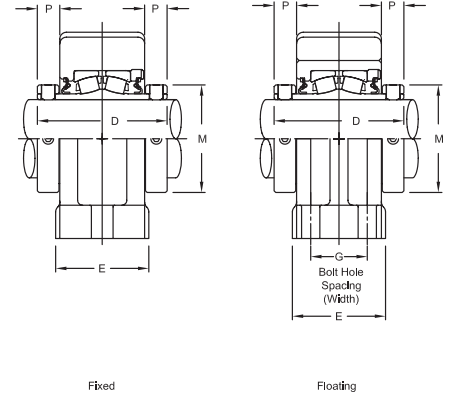
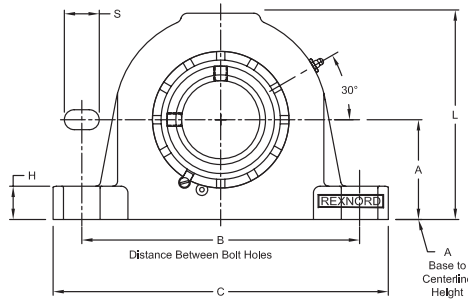
ZAF5000, ZAFS5000



Photo Shows a 2-Bolt Spherical Roller Bearing Pillow Block Unit

Product Features

- SAF Interchange
- Precision milled ends
- Corrosion-resistant powder coating
- Cast iron housing
- Misalignment capabilities - total of 4°
- Broad range of sealing options
- Factory set clearance & lubrication
- Precision ground & superfinished raceways
- See Features & Benefits for additional info.



Bearing Dimensions

Size Code	Shaft Diameter	Expansion				Fixed				A Base to Centerline Height	B Distance Between Bolt Holes		G Bolt Hole Spacing (Width)	C	D	E	F	H	M	S	
		Part Number	L	P	Approx. Weight	Part Number	L	P	Approx. Weight		Min.	Max.									
Two-Bolt Pillow Block																					
6	1 15/16	ZAFS5115	5 5/16	11/16	20.00	ZAF5115	5 5/16	11/16	16.50	2 3/4	7 3/8	7 7/8	-	9.625	3 13/16	2 3/4	5/8	1	2 7/8	15/16	
	50.00	ZAFS5050MM	134.94	17.46	9.00	ZAF5050MM	134.94	17.46	7.50	69.85	187.33	200.03	-	244.480	96.84	69.85	16.00	25.40	73.03	23.81	
7	2 3/16	ZAFS5203	5 31/32	13/16	25.50	ZAF5203	5 31/32	13/16	21.00	3	8 1/8	9 1/2	-	11.000	4 1/8	3 1/8	5/8	1	3 1/4	1 3/8	
	55.00	ZAFS5055MM	151.61	20.64	11.50	ZAF5055MM	151.61	20.64	9.50	76.20	206.38	241.30	-	279.400	104.78	79.38	16.00	25.40	82.60	34.93	
8	2 7/16	ZAFS5207	6 25/32	7/8	32.50	ZAF5207	6 25/32	7/8	32.50	3 1/4	8 5/8	9 5/8	-	11.125	4 3/8	3 1/8	5/8	1 1/4	3 9/16	1 3/16	
	60.00	ZAFS5060MM	172.24	22.23	14.70	ZAF5060MM	172.24	22.23	14.70	82.55	219.08	244.48	-	282.580	111.13	79.38	16.00	31.75	90.50	30.16	
9	2 11/16	ZAFS5211	7 1/2	7/8	45.50	ZAF5211	7 1/2	7/8	45.50	3 1/2	9 7/8	11	-	12.590	4 7/8	3 1/2	3/4	1	4 1/16	1 3/8	
	2 3/4	ZAFS5212				ZAF5212															20.60
9	2 15/16	ZAFS5215	7 3/4	22.23	45.00	ZAF5215	7 3/4	22.23	20.60	3 3/4	250.83	279.40	-	319.790	123.83	88.90	19.00	1 1/4	103.20	34.93	
	70.00	ZAFS5070MM	190.50			20.60	ZAF5070MM														190.50
10	3 3/16	ZAFS5303	8 1/4	15/16	60.00	ZAF5303	8 1/4	15/16	53.00	4	10 3/8	11 5/8	-	13.750	5 5/16	3 7/8	3/4	1 5/8	4 29/32	1 7/16	
	3 7/16	ZAFS5307	9 9/32			76.50	ZAF5307														9 9/32
10	80.00	ZAFS5080MM	209.55	23.81	27.00	ZAF5080MM	209.55	23.81	24.00	101.60	263.53	295.28	-	349.250	98.43	19.00	41.28	124.62	36.51		
	85.00	ZAFS5085MM	34.70			ZAF5085MM	34.70													114.30	295.28
10	90.00	ZAFS5090MM	235.74	34.40	34.40	ZAF5090MM	235.74	34.40	34.40	114.30	295.28	333.38	-	390.530	134.94	110.31	22.00	42.06	124.62	42.86	
	90.00	ZAFS5090MM	34.40			ZAF5090MM	34.40														114.30
Four-Bolt Pillow Block																					
8	2 7/16	ZAFS5207F	6 25/32	7/8	31.50	ZAF5207F	6 25/32	7/8	31.00	3 1/4	8 5/8	9 5/8	1 7/8	11.125	4 3/8	3 1/8	1/2	1 1/4	3 9/16	1 1/16	
	60.00	ZAFS5060MMF	172.24	22.23	14.00	ZAF5060MMF	172.24	22.23	14.00	82.55	219.08	244.48	47.63	282.580	111.13	79.38	13.00	31.75	90.50	26.99	
9	2 11/16	ZAFS5211F	7 1/2	7/8	45.50	ZAF5211F	7 1/2	7/8	45.00	3 1/2	9 7/8	11	2 1/8	12.590	4 7/8	3 1/2	5/8	1	4 1/16	1 1/4	
	2 3/4	ZAFS5212F				ZAF5212F															20.60
9	2 15/16	ZAFS5215F	7 3/4	22.23	44.50	ZAF5215F	7 3/4	22.23	20.60	3 3/4	250.83	279.40	53.98	319.790	123.83	88.90	16.00	1 1/4	103.20	31.75	
	70.00	ZAFS5070MMF	190.50			20.60	ZAF5070MMF														190.50
10	3 3/16	ZAFS5303F	8 1/4	15/16	60.00	ZAF5303F	8 1/4	15/16	53.00	4	10 3/8	11 5/8	2 1/8	13.750	5 5/16	3 7/8	5/8	1 5/8	4 29/32	1 5/16	
	3 7/16	ZAFS5307F	9 9/32			75.50	ZAF5307F														9 9/32
10	80.00	ZAFS5080MMF	209.55	23.81	27.00	ZAF5080MMF	209.55	23.81	24.00	101.60	263.53	295.28	53.98	349.250	98.43	16.00	41.28	124.62	33.34		
	85.00	ZAFS5085MMF	34.00			ZAF5085MMF	34.00													114.30	295.28
10	90.00	ZAFS5090MMF	235.74	33.60	33.60	ZAF5090MMF	235.74	33.60	33.60	114.30	295.28	333.38	60.33	390.530	134.94	110.31	19.00	42.06	124.62	39.69	
	90.00	ZAFS5090MMF	33.60			ZAF5090MMF	33.60														114.30
11	3 15/16	ZAFS5315F	10 5/16	1 1/32	104.00	ZAF5315F	10 5/16	1 1/32	102.00	4 15/16	12 19/32	14 1/2	2 3/4	16.500	6 1/8	4 3/4	3/4	1 25/32	5 5/8	1 53/64	
	100.00	ZAFS5100MMF	261.94	26.19	47.00	ZAF5100MMF	261.94	26.19	46.00	125.41	319.86	368.30	69.85	419.100	155.58	120.65	19.00	45.24	142.90	46.43	
12	4 7/16	ZAFS5407YF	11 7/8	1 1/16	144.00	ZAF5407YF	11 7/8	1 1/16	143.00	6	14 1/2	16	3 1/4	18.375	6 1/4	5 1/8	7/8	2 1/16	6 3/16	1 3/4	
	110.00	ZAFS5110MMF	301.63	26.99	65.00	ZAF5110MMF	301.63	26.99	64.80	152.40	368.30	406.40	82.55	466.730	158.75	130.18	22.00	52.39	157.16	44.45	

Continued...

Continued...

Bearing Dimensions

Size Code	Shaft Diameter	Expansion				Fixed				A Base to Centerline Height	B Distance Between Bolt Holes		G Bolt Hole Spacing (Width)	C	D	E	F	H	M	S
		Part Number	L	P	Approx. Weight	Part Number	L	P	Approx. Weight		Min.	Max.								
Four-Bolt Pillow Block (continued)																				
12	115.00	ZAFS5115MMF	301.63	26.99	65.00	ZAF5115MMF	301.63	26.99	64.80	152.40	368.30	406.40	82.55	466.730	158.75	130.18	22.00	52.39	157.16	44.45
13	4 15/16	ZAFS5415F	12 9/16	1 5/32	209.00	ZAF5415F	12 9/16	1 5/32	207.00	6	15 5/8	17 3/8	3 3/8	19.700	7 7/8	5 7/8	1	2 1/16	7 1/16	1 15/16
	125.00	ZAFS5125MMF	319.09	29.37	95.00	ZAF5125MMF	319.09	29.37	94.00	152.40	390.53	441.33	85.73	500.380	200.03	149.23	25.00	52.39	179.39	49.21
130.00	ZAFS5130MMF	ZAF5130MMF																		
14	5 7/16	ZAFS5507F	13 11/16	1 3/32	248.00	ZAF5507F	13 7/16	1 7/32	233.00	6 11/16	17 3/8	19 1/4	3 3/4	22.000	8	6 1/4	1	2 5/8	8 3/16	2
	140.00	ZAFS5140MMF	347.66	27.76	112.00	ZAF5140MMF	341.31	30.96	106.00	169.86	441.33	488.95	95.25	558.800	203.20	158.75	25.00	66.68	207.96	50.80
15	5 15/16	ZAFS5515F	14 9/16	1 1/16	295.00	ZAF5515F	14 1/4	1 5/32	274.00	7 1/16	19 3/8	21 5/8	4 1/4	24.750	8 1/8	6 3/4	1	2 3/4	8 5/8	2 3/16
	6	ZAFS5600F			ZAF5600F	269.00														
15	150.00	ZAFS5150MMF	369.88	26.99	131.00	ZAF5150MMF	361.95	29.37	124.00	179.39	492.13	549.28	107.95	628.650	206.38	171.45	25.00	69.85	219.08	55.56
	160.00	ZAFS5160MMF				ZAF5160MMF														
16	6 7/16	ZAFS5607F	15 3/4	1 3/16	355.00	ZAF5607F	15 5/16	1 9/32	337.00	7 1/2	20 7/8	23 5/8	4 5/8	26.750	8 3/4	7 1/8	1	3	9 23/32	2 7/16
	6 1/2	ZAFS5608F			353.00	ZAF5608F			335.00											
	6 15/16	ZAFS5615F	16 1/8		376.00	ZAF5615F	15 11/16		347.00	7 7/8	21 5/8	24 3/8	4 1/2	28.000		7 1/2	1 1/4	3 1/8		2 11/16
	7	ZAFS5700F			372.00	ZAF5700F			345.00											
180.00	ZAFS5180MMF	409.58	30.16	169.00	ZAF5180MMF	398.46	32.54	169.00	200.03	549.28	619.13	114.30	711.200	222.25	190.50	32.00	79.38	246.86	68.26	

Additional Notes

Please call 1-866-REXNORD for availability
 Metric bore sizes available, see the Rex Interchangeability guide
 Lubrication fitting tap size: for size code 6 thru 11, 1/8" PT; for all other size codes, 1/4" PT
 Base to centerline tolerance, +/- .005 in (+/-0.13 mm)
 Bore size = nominal shaft size +.001 in/- .000 in (+0.03mm/-0.00mm)
 Expansion - size code 6-8 is 3/8", size code 9 thru 11 is 1/2" & size code 12 thru 16 is 3/4"
 Seals - To specify K or M seal, replace "Z" in part number with "K" or "M"

"K" seals only available in size codes 6 thru 11
 Auxiliary end caps - available in all sizes
 Pad length tolerance, +/- .0075 in (+/-0.19mm) for size codes 6 thru 13, +/- .015 in (+/-0.38mm) for size codes 14 thru 16
 For the Selection Guide, Load Ratings and Speed Limits, see the Rex Spherical Roller Bearings Engineering section
 Note: Dimensions subject to change. Certified dimensions of ordered material furnished on request.

ZAF6000, ZAFS6000

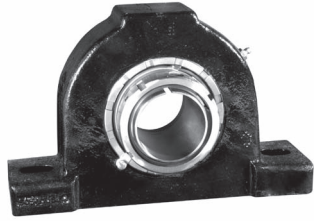
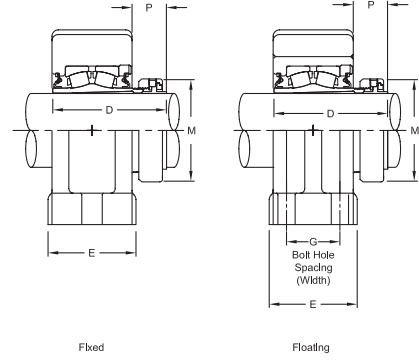
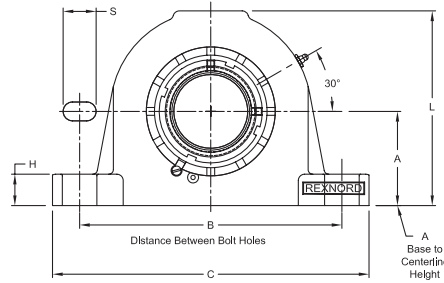


Photo Shows a 2-Bolt Spherical Roller Bearing Pillow Block Unit

Product Features

- Spyglass™ Optical Strain Sensor (OSS) Technology
- Positive locking system
- Tapered adapter sleeve
- SAF Interchange
- Precision milled ends
- Corrosion-resistant powder coating
- Cast iron housing
- Misalignment capabilities - total of 4°
- Broad range of sealing options
- See Features & Benefits for additional info.



Bearing Dimensions

Size Code	Shaft Diameter	Expansion				Fixed				A Base to Centerline Height	B Distance Between Bolt Holes		G Bolt Hole Spacing (Width)	C	D	E	F	H	M	S	
		Part Number	L	P	Approx. Weight	Part Number	L	P	Approx. Weight		Min.	Max.									
Two-Bolt Pillow Block																					
6	1 15/16	ZAFS6115	5 5/16	1 1/8	20.00	ZAF6115	5 5/16	1 1/8	16.50	2 3/4	7 3/8	7 7/8	-	9.625	3 41/64	2 3/4	5/8	1	2 55/64	15/16	
	45.00	ZAFS6045MM	134.94	28.58	9.00	ZAF6045MM	134.94	28.58	7.50	69.85	187.33	200.03	-	244.480	92.47	69.85	16.00	25.40	72.63	23.81	
7	2 3/16	ZAFS6203	5 31/32	1 5/32	25.50	ZAF6203	5 31/32	1 5/32	21.00	3	8 1/8	9 1/2	-	11.000	3 11/16	3 1/8	5/8	1	3 15/64	1 3/8	
	55.00	ZAFS6055MM	151.61	29.37	11.50	ZAF6055MM	151.61	29.37	9.50	76.20	206.38	241.30	-	279.400	93.66	79.38	16.00	25.40	82.15	34.93	
8	2 3/8	ZAFS6206	6 25/32	1 27/64	32.50	ZAF6206	6 25/32	1 27/64	32.50	3 1/4	8 5/8	9 5/8	-	11.125	4 1/16	3 1/8	5/8	1 1/4	3 19/32	1 3/16	
	60.00	ZAFS6060MM	172.24	36.12	14.70	ZAF6060MM	172.24	36.12	14.70	82.55	219.08	244.48	-	282.580	103.19	79.38	16.00	31.75	91.28	30.16	
9	2 11/16	ZAFS6211	7 1/2	1 25/64	45.00	ZAF6211	7 1/2	1 25/64	45.00	3 1/2	9 7/8	11	-	12.590	4 17/32	3 1/2	3/4	1	4 3/32	1 3/8	
	2 3/4	ZAFS6212				ZAF6212															
	2 15/16	ZAFS6215	7 3/4	ZAF6215	7 3/4	3 3/4	-	1 1/4													
	70.00	ZAFS6070MM	190.50	20.60	ZAF6070MM	190.50	35.32	20.60	88.90	250.83	279.40	-	319.790	115.09	88.90	19.00	25.40	103.98	34.93		
85.00	ZAFS6075MM	196.85	20.40	ZAF6075MM	196.85	20.40	95.25	-	-	-	-	-	-	-	-	-	-	-	-	-	
10	3 3/16	ZAFS6303	8 1/4	1 19/32	59.00	ZAF6303	8 1/4	1 19/32	52.00	4	10 3/8	11 5/8	-	13.750	5 1/32	3 7/8	3/4	1 5/8	4 61/64	1 7/16	
	3 7/16	ZAFS6307	9 9/32	1 19/32	76.50	ZAF6307	9 9/32	1 19/32	76.50	4 1/2	11 5/8	13 1/8	-	15.375	5 1/32	4 11/32	7/8	1 21/32	4 61/64	1 11/16	
	80.00	ZAFS6080MM	209.55	27.00	ZAF6080MM	209.55	24.00	101.60	263.53	295.28	-	349.250	98.43	19.00	41.28	125.81	36.51				
	85.00	ZAFS6085MM	235.74	40.48	ZAF6085MM	235.74	40.48	34.70	114.30	295.28	333.38	-	390.530	127.79	110.31	22.00	42.06				
Four-Bolt Pillow Block																					
8	2 3/8	ZAFS6206F	6 25/32	1 27/64	31.00	ZAF6206F	6 25/32	1 27/64	31.00	3 1/4	8 5/8	9 5/8	1 7/8	11.125	4 1/16	3 1/8	1/2	1 1/4	3 19/32	1 1/16	
	60.00	ZAFS6060MMF				172.24															36.12
9	2 11/16	ZAFS6211F	7 1/2	1 25/64	44.50	ZAF6211F	7 1/2	1 25/64	44.50	3 1/2	9 7/8	11	2 1/8	12.590	4 17/32	3 1/2	5/8	1	4 3/32	1 1/4	
	2 3/4	ZAFS6212F				ZAF6212F															
	2 15/16	ZAFS6215F	7 3/4	ZAF6215F	7 3/4	3 3/4	-	1 1/4													
	70.00	ZAFS6070MMF	190.50	20.60	ZAF6070MMF	190.50	35.32	20.40	88.90	250.83	279.40	53.98	319.790	115.09	88.90	16.00	25.40	103.98	31.75		
75.00	ZAFS6075MMF	196.85	20.00	ZAF6075MMF	196.85	20.00	95.25	-	-	-	-	-	-	-	-	-	-	-	-	-	
10	3 3/16	ZAFS6303F	8 1/4	1 19/32	59.00	ZAF6303F	8 1/4	1 19/32	52.00	4	10 3/8	11 5/8	2 1/8	13.750	5 1/32	3 7/8	5/8	1 5/8	4 61/64	1 5/16	
	3 7/16	ZAFS6307F	9 9/32	1 19/32	75.00	ZAF6307F	9 9/32	1 19/32	75.00	4 1/2	11 5/8	13 1/8	2 3/8	15.375	5 1/32	4 11/32	3/4	1 21/32	4 61/64	1 9/16	
	80.00	ZAFS6080MMF	209.55	27.00	ZAF6080MMF	209.55	40.48	24.00	101.60	263.53	295.28	53.98	349.250	98.43	16.00	41.28	125.81	33.34			
	85.00	ZAFS6085MMF	235.74	34.00	ZAF6085MMF	235.74	40.48	34.00	114.30	295.28	333.38	60.33	390.530	127.79	110.31	19.00	42.06				
11	3 15/16	ZAFS6315F	10 5/16	1 47/64	103.00	ZAF6315F	10 5/16	1 47/64	103.00	4 15/16	12 19/32	14 1/2	2 3/4	16.500	5 25/32	4 3/4	3/4	1 25/32	5 43/64	1 53/64	
	100.00	ZAFS6100MMF	261.94	44.05	47.00	ZAF6100MMF	261.94	44.05	46.00	125.41	319.86	368.30	69.85	419.100	146.84	120.65	19.00	45.24	144.07	46.43	
12	4 7/16	ZAFS6407YF	11 7/8	1 7/8	144.00	ZAF6407YF	11 7/8	1 7/8	144.00	6	14 1/2	16	3 1/4	18.375	6 1/4	5 1/8	7/8	2 1/16	6 1/16	1 3/4	
	110.00	ZAFS6110MMF	301.63	47.63	65.00	ZAF6110MMF	301.63	47.63	64.80	152.40	368.30	406.40	82.55	466.730	158.75	130.18	22.00	52.39	153.99	44.45	

Continued...

Continued...

Bearing Dimensions

Size Code	Shaft Diameter	Expansion				Fixed				A Base to Centerline Height	B Distance Between Bolt Holes		G Bolt Hole Spacing (Width)	C	D	E	F	H	M	S
		Part Number	L	P	Approx. Weight	Part Number	L	P	Approx. Weight		Min.	Max.								
											Four-Bolt Pillow Block (continued)									
13	4 15/16	ZAFS6415F	12 9/16	2 1/4	208.00	ZAF6415F	12 9/16	2 1/4	208.00	6	15 5/8	17 3/8	3 3/8	19.700	7 15/16	5 7/8	1	2 1/16	6 61/64	1 15/16
	125.00	ZAFS6125MMF	319.09	57.15	95.00	ZAF6125MMF	319.09	57.15	94.00	152.40	390.53	441.33	85.73	500.380	201.61	149.23	25.00	52.39	176.61	49.21
14	5 7/16	ZAFS6507F	13 11/16	2 15/16	248.00	ZAF6507F	13 7/16	3 3/64	233.00	6 11/16	17 3/8	19 1/4	3 3/4	22.000	8 49/64	6 1/4	1	2 5/8	8 1/64	2
15	5 15/16	ZAFS6515F	14 9/16	3 23/64	295.00	ZAF6515F	14 1/4	3 7/16	274.00	7 1/16	19 3/8	21 5/8	4 1/4	24.750	9 19/64	6 3/4	1	2 3/4	8 21/32	2 3/16
16	6 7/16	ZAFS6607F	15 3/4	3 37/64	355.00	ZAF6607F	15 5/16	3 43/64	337.00	7 1/2	20 7/8	23 5/8	4 5/8	26.750	10	7 1/8	1	3	9 3/4	2 7/16
	6 15/16	ZAFS6615F	16 1/8	3 37/64	376.00	ZAF6615F	15 11/16	3 43/64	347.00	7 7/8	21 5/8	24 3/8	4 1/2	28.000	10	7 1/2	1 1/4	3 1/8	9 3/4	2 11/16

Additional Notes

Please call 1-866-REXNORD for availability
 Metric bore sizes available, see the Rex Interchangeability guide
 Lubrication fitting tap size: for size code 6 thru 11, 1/8" PT: for all other size codes, 1/4" PT
 Base to centerline tolerance, +/- .005 in (+/-0.13 mm)
 Expansion - size code 6-8 is 3/8", size code 9 thru 11 is 1/2" & size code 12 thru 16 is 3/4"
 Seals - To specify K or M seal, replace "Z" in part number with "K" or "M"

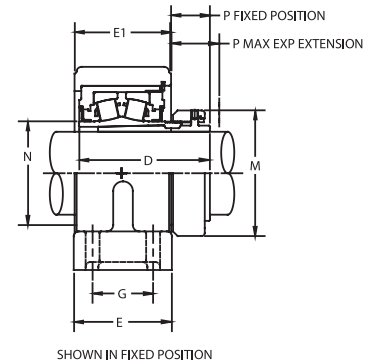
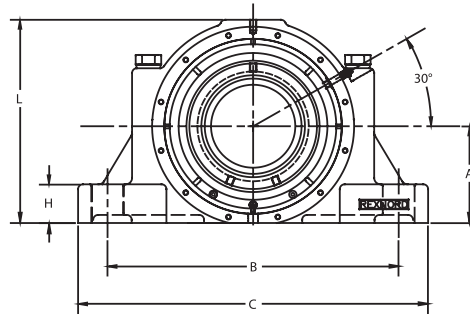
"K" seals only available in size codes 6 thru 11
 Auxiliary end caps - available in all sizes
 Pad length tolerance, +/- .0075 in (+/-0.19mm) for size codes 6 thru 13, +/- .015 in (+/-0.38mm) for size codes 14 thru 16
 For the Selection Guide, Load Ratings and Speed Limits, see the Rex Spherical Roller Bearings Engineering section
 Note: Dimensions subject to change. Certified dimensions of ordered material furnished on request.

ZLF6000



Product Features

- Spyglass™ Optical Strain Sensor (OSS) Technology
- Positive locking system
- Tapered adapter sleeve
- SAF Interchange
- Precision milled ends
- Corrosion-resistant powder coating
- Cast iron split housing
- Pre-Drilled/Tapped for Auxiliary Caps
- Unitized cartridge bearing
- Misalignment capabilities - total of 4°
- Broad range of sealing options
- See Features & Benefits for additional info



Bearing Dimensions

Size Code	Shaft Diameter	Expansion			Fixed			A Base to Centerline Height	B Distance Between Bolt Holes		G Bolt Hole Spacing (Width)	C	D	E	E1	F (Bolts)	H	M	N	Approx. Weight
		Part Number	L	P (Max Expansion)	Part Number	L	P		Min.	Max.										
14	5 ⁷ / ₁₆	ZLFS6507F	13 ¹¹ / ₁₆	3 ³ / ₆₄	ZLF6507F	13 ¹¹ / ₁₆	2 ¹¹ / ₃₂	6 ¹¹ / ₁₆	17 ³ / ₈	19 ¹ / ₄	3 ³ / ₄	22	8 ⁴⁹ / ₆₄	6 ¹ / ₄	6 ³ / ₄	1	2 ⁵ / ₈	8 ¹ / ₆₄	6 ¹ / ₂	248
15	5 ¹⁵ / ₁₆	ZLFS6515F	14 ⁹ / ₁₆	3 ⁷ / ₁₆	ZLF6515F	14 ⁹ / ₁₆	2 ⁴⁷ / ₆₄	7 ¹ / ₁₆	19 ³ / ₈	21 ⁵ / ₈	4 ¹ / ₄	24 ³ / ₄	9 ¹⁹ / ₆₄	6 ³ / ₄	7	1	2 ³ / ₄	8 ²¹ / ₃₂	7 ¹³ / ₆₄	295
16	6 ⁷ / ₁₆	ZLFS6607F	15 ³ / ₄	3 ⁴³ / ₆₄	ZLF6607F	15 ³ / ₄	2 ³¹ / ₃₂	7 ¹ / ₂	20 ⁷ / ₈	23 ⁵ / ₈	4 ⁵ / ₈	26 ³ / ₄	10	7 ¹ / ₂	7 ³ / ₈	1	3	9 ³ / ₄	8 ³ / ₆₄	355
	6 ¹⁵ / ₁₆	ZLFS6615F	16 ¹ / ₈	3 ⁴³ / ₆₄	ZLF6615F	16 ¹ / ₈	2 ³¹ / ₃₂	7 ⁷ / ₈	21 ⁵ / ₈	24 ³ / ₈	4 ¹ / ₂	28	10	7 ¹ / ₂	7 ³ / ₈	1 ¹ / ₄	3 ¹ / ₈	9 ³ / ₄	8 ³ / ₆₄	376

Additional Notes

- Please call 1-866-REXNORD for availability
- Lubrication fitting tap size 1/4" PT
- Base to centerline +/- .005 in (+/- 0.13 mm)
- Bore size = nominal shaft size + .001"/-.000"
- Seals - To specify M seal, replace "Z" in part number with "M"
- Auxiliary end caps - available except as noted
- Expansion - 3/4"

- For the Selection Guide, Load Ratings and Speed Limits, see the Rex Spherical Roller Bearings Engineering section
- Note: Dimensions subject to change. Certified dimensions of ordered material furnished on request.

ZA2000, ZAS2000

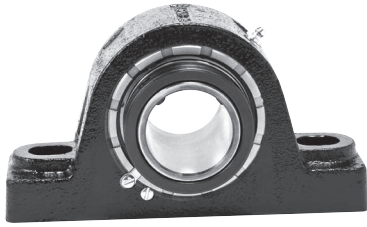
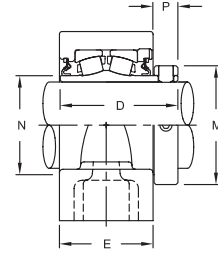
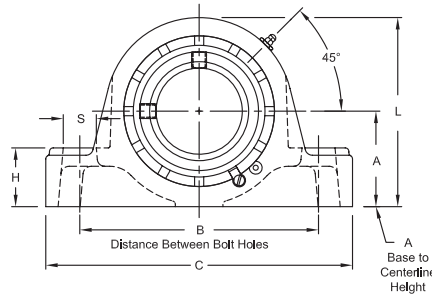


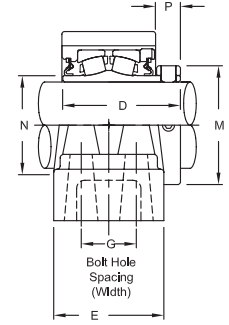
Photo Shows a 2-Bolt Spherical Roller Bearing Pillow Block Unit

Product Features

- Corrosion-resistant powder coating
- Cast iron housing
- Misalignment capabilities - total of 4°
- Broad range of sealing options
- Factory set clearance & lubrication
- Precision ground & superfinished raceways
- Hardened spring locking collar
- Field interchangeable seals
- Fixed or Expansion - total of 3/8" expansion
- See Features & Benefits for additional info.



Fixed Block



Floating Block

Bearing Dimensions

Size Code	Shaft Diameter	Expansion					Fixed					A Base to Centerline Height	B Distance Between Bolt Holes	D	F Bolts	G Bolt Hole Spacing	M	N	P	Approx. Weight		
		Part Number	C	E	H	L	S	Part Number	C	E	H										L	S
Two-Bolt Pillow Block																						
2	3/4	-	-	-	-	-	-	ZA2012												4.40		
	15/16	-	-	-	-	-	-	ZA2015	5 7/8	2	3/4	3 1/16	7/8	1 9/16	4 3/8	2 9/16	1/2	-	1 3/4	1 5/16	9/16	4.30
	1	-	-	-	-	-	-	ZA2100														4.20
	25.00	-	-	-	-	-	-	ZA2025MM	149.23	50.80	19.05	77.79	22.23	39.69	111.13	65.09	13.00	-	44.45	33.34	14.29	2.00
3	1 1/8	-	-	-	-	-	-	ZA2102														5.50
	1 3/16	-	-	-	-	-	-	ZA2103	6 5/16	2 1/8	7/8	3 7/16	7/8	1 3/4	4 3/4	2 11/16	1/2	-	2	1 17/32	9/16	5.40
	1 1/4	-	-	-	-	-	-	ZA2104														
	30.00	-	-	-	-	-	-	ZA2030MM	160.34	53.94	22.23	87.31	22.23	44.45	120.65	68.26	13.00	-	50.00	38.89	14.29	2.50
4	1 7/16	ZAS2107	6 9/16	2 3/16	1	3 7/8	7/8	ZA2107	6 9/16	2 1/4	1 3/16	3 11/16	13/16	1 7/8	5	2 7/8	1/2	-	2 5/16	1 3/4	11/16	7.00
	1 1/2	ZAS2108						ZA2108														6.90
	35.00	ZAS2035MM	166.96	55.56	25.40	98.42	22.23	ZA2035MM	166.96	55.56	30.16	93.66	20.64	47.63	127.00	73.02	13.00	-	58.74	44.45	17.46	3.20
5	1 11/16	ZAS2111	7 1/8	2 7/16	1	4 3/8	7/8	ZA2111	7 1/8	2 1/2	1 5/16	4 1/4	13/16	2 1/8	5 1/2	3 1/8	1/2	-	2 5/8	2 1/32	11/16	9.50
	1 3/4	ZAS2112						ZA2112														9.40
	40.00	ZAS2040MM	180.98	63.5	28.58	111.13	22.23	ZA2040MM	180.98	63.50	33.34	107.95	20.64	53.98	139.70	79.38	13.00	-	65.88	51.59	17.46	4.10
	45.00	ZAS2045MM						ZAS2045MM														4.30
6	1 15/16	ZAS2115	8 3/8	2 1/2	1 3/8	4 9/16	15/16	ZA2115	8 1/8	2 1/2	1 3/8	4 9/16	15/16	2 1/4	6 1/4	3 1/8	5/8	-	2 15/16	2 5/16	11/16	10.90
	2	ZAS2200						ZA2200														10.70
	50.00	ZAS2050MM	212.73	63.50	34.93	115.89	25.40	ZA2050MM	206.37	63.50	34.93	115.89	25.40	57.15	158.75	79.38	16.00	-	73.03	58.74	17.46	4.90
7	2 3/16	ZAS2203	8 7/8	2 9/16	1 5/8	5	15/16	ZA2203	8 5/8	2 9/16	1 5/8	5	15/16	2 1/2	6 3/4	3 5/16	5/8	-	3 1/4	2 5/8	25/32	13.50
	2 1/4	ZAS2204						ZA2204														13.30
	55.00	ZAS2055MM	225.43	65.09	41.28	127.00	25.40	ZA2055MM	219.08	65.09	41.28	127.00	25.40	63.50	171.45	84.14	16.00	-	82.60	66.68	20.64	6.10
8	2 3/8	ZAS2206						ZA2206														16.10
	2 7/16	ZAS2207	9 1/4	2 11/16	1 5/8	5 1/2	15/16	ZA2207	9 1/8	2 11/16	1 5/8	5 1/2	15/16	2 3/4	7 1/8	3 1/2	5/8	-	3 9/16	2 29/32	7/8	16.30
	2 1/2	ZAS2208						ZA2208														16.60
	60.00	ZAS2060MM	234.95	68.26	41.28	139.70	25.40	ZA2060MM	231.78	68.26	41.28	139.70	25.40	69.85	180.98	88.90	16.00	-	90.50	73.81	22.23	7.30
	65.00	ZAS2065MM						ZAS2065MM														7.60
9	2 11/16	ZAS2211						ZA2211														27.30
	2 3/4	ZAS2212	10 7/16	3 3/16	2	6 7/16	1 1/16	ZA2212	10 7/16	3 3/16	2	6 7/16	1 1/16	3 1/4	8 1/8	4	3/4	-	4 1/16	3 3/8	13/16	26.90
	2 15/16	ZAS2215						ZA2215														26.00
	70.00	ZAS2070MM	265.11	80.96	50.80	163.51	28.58	ZA2070MM	265.11	80.96	50.80	163.51	28.58	82.55	206.38	101.60	19.00	-	103.20	85.73	22.23	12.20
	75.00	ZAS2075MM						ZAS2075MM														11.00
10	3 3/16	ZAS2303	13	3 7/16	2 1/4	7 1/2	1 5/8	ZA2303	13	3 7/16	2 1/4	7 1/2	1 5/8	3 3/4	10	4 3/8	7/8	-	4 15/16	3 31/32	15/16	41.80
	3 7/16	ZAS2307						ZA2307														40.30
	3 1/2	ZAS2308						ZA2308														39.80

Continued...

Continued...

Bearing Dimensions

Size Code	Shaft Diameter	Expansion					Fixed					A Base to Center-line Height	B Distance Between Bolt Holes	D	F Bolts	G Bolt Hole Spacing	M	N	P	Approx. Weight																					
		Part Number	C	E	H	L	S	Part Number	C	E	H										L	S																			
Two-Bolt Pillow Block (cont.)																																									
10	80.00	ZAS2080MM						ZA2080MM												19.00																					
	85.00	ZAS2085MM	330.20	87.31	57.15	190.50	41.28	ZA2085MM	330.2	87.31	57.15	190.50	41.28	95.25	254.00	111.13	22.00	-	124.62	100.81	23.81	18.30																			
	90.00	ZAS2090MM						ZAS2090MM														18.00																			
11	3 11/16	ZAS2311	14 1/4	4 1/8	2 1/8	8 1/2	1 3/4	ZA2311	14 1/4	4 1/8	2 1/8	8 1/2	1 3/4	4 1/8	10 7/8	5 1/16	1	-	5 5/8	4 9/16	1 1/16	58.00																			
	3 15/16	ZAS2315						ZA2315														56.00																			
	4	ZAS2400						ZA2400														55.00																			
100.00	ZAS2100MM	361.95	104.78	53.98	215.90	44.45	ZA2100MM	361.95	104.78	53.98	215.90	44.45	104.78	276.23	128.59	25.00	-	142.90	115.89	26.19	25.40																				
Four-Bolt Pillow Block																																									
6	1 15/16	ZAS2115F	8 3/8	3 3/16	1 3/8	4 9/16	13/16	ZA2115F	8 3/8	3 3/16	1 3/8	4 9/16	13/16	2 1/4	6 1/4	3 1/8	1/2	1 19/32	2 15/16	2 5/16	11/16	13.20																			
	2	ZAS2200F						ZA2200F														13.10																			
7	45.00	ZAS2050MMF	212.73	80.96	34.93	115.89	22.23	ZA2050MMF	212.73	80.96	34.93	115.89	22.23	57.15	158.75	79.38	13.00	40.89	73.03	58.74	17.46	5.90																			
	2 3/16	ZAS2203F	8 7/8	3 1/4	1 5/8	5	13/16	ZA2203F	8 7/8	3 1/4	1 5/8	5	13/16	2 1/2	6 3/4	3 5/16	1/2	1 11/16	3 1/4	2 5/8	25/32	15.30																			
	2 1/4	ZAS2204F						ZA2204F														15.10																			
55.00	ZAS2055MMF	225.43	82.55	41.28	127.00	22.23	ZA2055MMF	225.43	82.55	41.28	127.00	22.23	63.50	171.45	84.14	13.00	42.86	82.60	66.68	20.64	7.00																				
8	2 3/8	ZAS2206F	9 1/4	3 3/8	1 3/4	5 1/2	13/16	ZA2206F	9 1/4	3 3/8	1 3/4	5 1/2	13/16	2 3/4	7 1/8	3 1/2	1/2	1 3/4	3 9/16	2 29/32	7/8	16.90																			
	2 7/16	ZAS2207F						ZA2207F														16.60																			
	2 1/2	ZAS2208F						ZA2208F														16.40																			
	60.00	ZAS2060MMF						234.95														85.73	44.45	139.70	22.23	ZA2060MMF	234.95	85.73	44.45	139.70	22.23	69.85	180.98	88.90	13.00	44.45	90.50	73.81	22.23	7.70	
65.00	ZAS2065MMF						ZA2065MMF															7.50																			
9	2 11/16	ZAS2211F	10 7/16	3 3/4	2 1/4	6 7/16	15/16	ZA2211F	10 7/16	3 3/4	2 1/4	6 7/16	15/16	3 1/4	8 1/8	4	5/8	1 7/8	4 1/16	3 3/8	13/16	28.00																			
	2 3/4	ZAS2212F						ZA2212F														27.80																			
	2 15/16	ZAS2215F						ZA2215F														26.80																			
	3	ZAS2300F						ZA2300F														26.50																			
	70.00	ZAS2070MMF						265.11														95.25	57.15	163.51	25.40	ZA2070MMF	265.11	95.25	57.15	163.51	25.40	82.55	206.38	101.60	16.00	47.63	103.20	85.73	22.23	12.60	
75.00	ZAS2075MMF						ZA2075MMF															12.20																			
10	3 3/16	ZAS2303F	13	4 1/8	2 1/4	7 1/2	1 1/2	ZA2303F	13	4 1/8	2 1/4	7 1/2	1 1/2	3 3/4	10	4 3/8	3/4	2	4 15/16	3 31/32	15/16	42.10																			
	3 7/16	ZAS2307F						ZA2307F														40.60																			
	3 1/2	ZAS2308F						ZA2308F														40.10																			
	80.00	ZAS2080MMF																								ZA2080MMF															19.10
	85.00	ZAS2085MMF						330.20														104.78	57.15	190.50	38.10	ZA2085MMF	330.20	104.78	57.15	190.50	38.10	95.25	254.00	111.13	19.00	50.80	124.62	100.81	23.81	18.50	
90.00	ZAS2090MMF						ZA2090MMF															18.20																			
11	3 11/16	ZAS2311F	15 1/4	4 1/2	2 5/8	8 5/8	1 1/4	ZA2311F	15 1/4	4 1/2	2 5/8	8 1/2	1 1/4	4 1/4	12 1/2	5 1/16	3/4	2 1/4	5 5/8	4 9/16	1 1/16	63.00																			
	3 15/16	ZAS2315F						ZA2315F														61.00																			
	4	ZAS2400F						ZA2400F														60.00																			
	100.00	ZAS2100MMF						387.35														114.30	66.68	215.90	31.75	ZA2100MMF	387.35	114.30	66.68	215.90	31.75	107.95	317.50	128.59	19.00	57.15	142.90	115.89	26.19	27.70	

Additional Notes

Please call 1-866-REXNORD for availability
 Metric bore sizes available, see the Rex Interchangeability guide
 Lubrication fitting tap size: 1/8" PT
 Base to centerline tolerance, +/- .005 in (+/- 0.13 mm)
 Bore size = nominal shaft size +.001 in / -.000 in (+0.03mm/-0.00mm)
 Expansion - is 3/8" for all size codes
 Seals - To specify K or M seal, replace "Z" in part number with "K" or "M"

Auxiliary end caps - available in all size codes except for size codes 2 & 3 and ZAS series
 For the Selection Guide, Load Ratings and Speed Limits, see the Rex Spherical Roller Bearings Engineering section
 Note: Dimensions subject to change. Certified dimensions of ordered material furnished on request.

ZA3000, ZAS3000

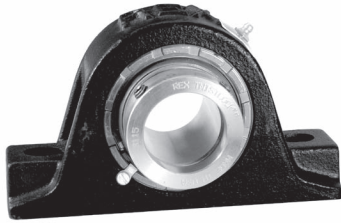
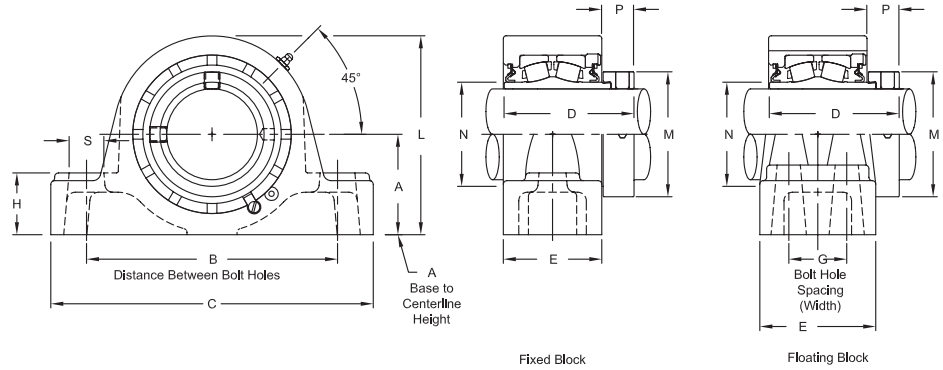


Photo Shows a 2-Bolt Spherical Roller Bearing Pillow Block Unit

Product Features

- Corrosion-resistant powder coating
- Cast iron housing
- Misalignment capabilities - total of 4°
- Broad range of sealing options
- Factory set clearance & lubrication
- Precision ground & superfinished raceways
- Eccentric locking collar
- Field interchangeable seals
- Fixed or Expansion - total of 3/8" expansion
- See Features & Benefits for additional info.



Bearing Dimensions

Size Code	Shaft Diameter	Expansion					Fixed					A Base to Centerline Height	B Distance Between Bolt Holes	G Bolt Hole Spacing (Width)	D	F Bolts	M	N	P	Approx. Weight		
		Part Number	C	E	H	L	S	Part Number	C	E	H										L	S
Two-Bolt Pillow Block																						
4	1 7/16	ZAS3107	6 9/16	2 3/16	1	3 7/8	7/8	ZA3107	6 9/16	2 1/4	1 3/16	3 11/16	13/16	1 7/8	5	-	2 59/64	1/2	2 5/16	1 3/4	25/32	7.20
5	1 11/16	ZAS3111	7 1/8	2 7/16	1 1/8	4 3/8	7/8	ZA3111	7 1/8	2 1/2	1 5/16	4 1/4	13/16	2 1/8	5 1/2	-	3 3/16	1/2	2 5/8	2 1/32	3/4	9.70
6	1 15/16	ZAS3115	8 3/8	2 1/2	1 3/8	4 9/16	15/16	ZA3115	8 1/8	2 1/2	1 3/8	4 9/16	15/16	2 1/4	6 1/4	-	3 9/32	5/8	2 3/4	2 5/16	27/32	11.10
7	2 3/16	ZAS3203	8 7/8	2 9/16	1 5/8	5	15/16	ZA3203	8 5/8	2 9/16	1 5/8	5	15/16	2 1/2	6 3/4	-	3 1/2	5/8	3 1/4	2 5/8	31/32	13.80
8	2 7/16	ZAS3207	9 1/4	2 11/16	1 5/8	5 1/2	15/16	ZA3207	9 1/8	2 11/16	1 5/8	5 1/2	15/16	2 3/4	7 1/8	-	3 21/32	5/8	3 9/16	2 29/32	1 1/64	16.50
	2 1/2	ZAS3208						ZA3208														
9	2 11/16	ZAS3211	10 7/16	3 3/16	2	6 7/16	1 1/16	ZA3211	10 7/16	3 3/16	2	6 7/16	1 1/16	3 1/4	8 1/8	-	4 13/64	3/4	4 1/16	3 3/8	1 1/64	27.70
	2 15/16	ZAS3215						ZA3215														26.40
10	3 7/16	ZAS3307	13	3 7/16	2 1/4	7 1/2	1 5/8	ZA3307	13	3 7/16	2 1/4	7 1/2	1 5/8	3 3/4	10	-	4 37/64	7/8	4 15/16	3 31/32	1 9/64	40.90
	3 1/2	ZAS3308						ZA3308														40.40
11	3 15/16	ZAS3315	14 1/4	4 1/8	2 1/8	8 1/2	1 3/4	ZA3315	14 1/4	4 1/8	2 1/8	8 1/2	1 3/4	4 1/8	10 7/8	-	5 3/16	1	5 5/8	4 9/16	1 1/16	56.00
Four-Bolt Pillow Block																						
6	1 15/16	ZAS3115F	8 3/8	3 3/16	1 3/8	4 9/16	13/16	ZA3115F	8 3/8	3 3/16	1 3/8	4 9/16	13/16	2 1/4	6 1/4	1 19/32	3 9/32	1/2	2 3/4	2 5/16	27/32	13.40
7	2 3/16	ZAS3203F	8 7/8	3 1/4	1 5/8	5	13/16	ZA3203F	8 7/8	3 1/4	1 5/8	5	13/16	2 1/2	6 3/4	1 11/16	3 1/2	1/2	3 1/4	2 5/8	31/32	15.60
	2 7/16	ZAS3207F						ZA3207F														
8	2 1/2	ZAS3208F	9 1/4	3 3/8	1 3/4	5 1/2	13/16	ZA3208F	9 1/4	3 3/8	1 3/4	5 1/2	13/16	2 3/4	7 1/8	1 3/4	3 21/32	1/2	3 9/16	2 29/32	1 1/64	16.80
	2 11/16	ZAS3211F						ZA3211F														
9	2 15/16	ZAS3215F	10 7/16	3 3/4	2 1/4	6 7/16	15/16	ZA3215F	10 7/16	3 3/4	2 1/4	6 7/16	15/16	3 1/4	8 1/8	1 7/8	4 13/64	5/8	4 1/16	3 3/8	1 1/64	28.40
	2 11/16	ZAS3211F						ZA3211F														27.20
10	3 7/16	ZAS3307F	13	4 1/8	2 1/4	7 1/2	1 1/2	ZA3307F	13	4 1/8	2 1/4	7 1/2	1 1/2	3 3/4	10	2	4 37/64	3/4	4 15/16	3 31/32	1 9/64	41.20
	3 1/2	ZAS3308F						ZA3308F														40.70
11	3 15/16	ZAS3315F	15 1/4	4 1/2	2 5/8	8 5/8	1 1/4	ZA3315F	15 1/4	4 1/2	2 5/8	8 1/2	1 1/4	4 1/4	12 1/2	2 1/4	5 3/16	3/4	5 5/8	4 9/16	1 1/16	61.00

Additional Notes

- Please call 1-866-REXNORD for availability
- Lubrication fitting tap size 1/8" PT
- Base to centerline tolerance, +/- .005 in (+/- 0.13 mm)
- Bore size = nominal shaft size + .001 in / -.000 in (+0.03mm / -0.00mm)
- Expansion - is 3/8" for all size codes
- Seals - To specify K or M seal, replace "Z" in part number with "K" or "M"
- Auxiliary end caps - available in all size codes except ZAS series

For the Selection Guide, Load Ratings and Speed Limits, see the Rex Spherical Roller Bearings Engineering section
 Note: Dimensions subject to change. Certified dimensions of ordered material furnished on request.

ZA5000, ZAS5000

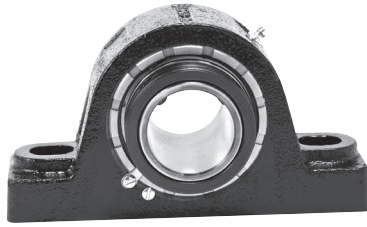
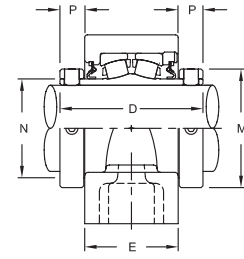
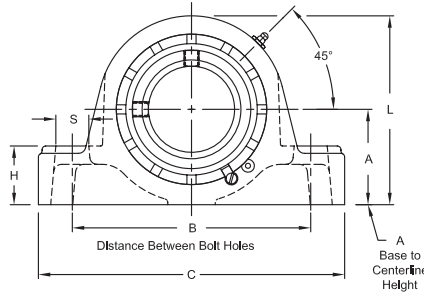


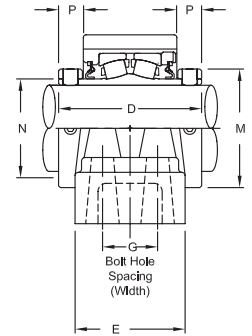
Photo Shows a 2-Bolt Spherical Roller Bearing Pillow Block Unit

Product Features

- Corrosion-resistant powder coating
- Cast iron housing
- Misalignment capabilities - total of 4°
- Broad range of sealing options
- Factory set clearance & lubrication
- Precision ground & superfinished raceways
- Two hardened spring locking collars
- Field interchangeable seals
- Fixed or Expansion - total of 3/8" expansion
- See Features & Benefits for additional info.



Fixed Block



Floating Block

Bearing Dimensions

Size Code	Shaft Diameter	Expansion					Fixed					A Base to Centerline Height	B Distance Between Bolt Holes	D	F	G Bolt Hole Spacing (Width)	M	N	P	Approx. Weight		
		Part Number	C	E	H	L	S	Part Number	C	E	H										L	S
Two-Bolt Pillow Block																						
4	1 7/16	ZAS5107	6 9/16	2 1/4	1 3/16	3 7/8	7/8	ZA5107	6 9/16	2 3/16	1	3 7/8	7/8	1 7/8	5	3 9/16	1/2	-	2 5/16	1 3/4	11/16	7.50
	35.00	ZAS5035MM	166.96	55.56	25.40	98.42	22.23	ZA5035MM	166.96	55.56	30.16	93.66	20.64	47.63	127.00	90.49	13.00	-	58.74	44.45	17.46	3.40
5	1 1/2	ZAS5108	7 1/8	2 1/2	1 5/16	4 3/8	7/8	ZA5108	7 1/8	2 7/16	1 1/8	4 3/8	7/8	2 1/8	5 1/2	3 13/16	1/2	-	2 19/32	2 1/32	11/16	10.50
	1 11/16	ZAS5111						ZA5111														10.10
	40.00	ZAS5040MM	180.98	63.5	28.58	111.13	22.23	ZA5040MM	180.98	63.50	33.34	107.95	20.64	53.98	139.70	96.84	13.00	-	65.88	51.59	17.46	4.70
	45.00	ZAS5045MM	180.98	63.50	34.93	115.89	25.40	ZA5045MM	180.98	63.50	34.93	115.89	25.40	53.98	139.70	96.84	13.00	-	65.88	51.59	17.46	4.60
6	1 15/16	ZAS5115	8 3/8	2 1/2	1 3/8	4 9/16	1	ZA5115	8 3/8	2 1/2	1 3/8	4 9/16	1	2 1/4	6 1/4	3 13/16	5/8	-	2 7/8	2 5/16	11/16	11.50
	50.00	ZAS5050MM	212.73	63.50	34.93	115.89	25.40	ZA5050MM	206.37	63.50	34.93	115.89	25.40	25.40	158.75	96.84	16.00	-	73.03	66.68	25.40	5.20
7	2	ZAS5200	8 5/8	2 9/16	1 5/8	5	1	ZA5200	8 5/8	2 9/16	1 5/8	5	1	2 1/2	6 3/4	4 1/8	5/8	-	3 1/4	2 5/8	13/16	15.20
	2 3/16	ZAS5203						ZA5203														15.80
	55.00	ZAS5055MM	225.43	65.09	41.28	127.00	25.40	ZA5055MM	219.08	65.09	41.28	127.00	25.40	63.50	171.45	104.78	16.00	-	82.60	66.68	20.64	7.20
8	2 7/16	ZAS5207	9 1/8	2 11/16	1 5/8	5 1/2	1	ZA5207	9 1/8	2 11/16	1 5/8	5 1/2	1	2 3/4	7 1/8	4 3/8	5/8	-	3 9/16	2 29/32	7/8	17.10
	60.00	ZAS5060MM						ZA5060MM														7.80
	65.00	ZAS5065MM	234.95	68.26	41.28	139.70	25.40	ZA5065MM	231.78	68.26	41.28	139.70	25.40	69.85	180.98	111.13	16.00	-	90.50	73.81	22.23	7.50
	2 1/2	ZAS5208	10 7/16	3 3/16	2	6 7/16	1 1/8	ZA5208	10 7/16	3 3/16	2	6 7/16	1 1/8	3 1/4	8 1/8	4 7/8	3/4	-	4 1/16	3 3/8	7/8	30.00
2 11/16	ZAS5211	ZA5211						29.00														
2 15/16	ZAS5215	ZA5215						28.50														
70.00	ZAS5070MM	265.11	80.96	50.80	163.51	28.58	ZA5070MM	265.11	80.96	50.80	163.51	28.58	82.55	206.38	134.94	19.00	-	103.20	85.73	22.23	13.10	
75.00	ZAS5075MM						ZA5075MM														12.90	
10	3 3/16	ZAS5303	13	3 7/16	2 1/4	7 1/2	1 5/8	ZA5303	13	3 7/16	2 1/4	7 1/2	1 5/8	3 3/4	10	5 5/16	7/8	-	4 29/32	3 31/32	15/16	44.40
	3 7/16	ZAS5307						ZA5307														42.50
	80.00	ZAS5080MM	330.20	87.31	57.15	190.50	41.28	ZA5080MM	330.2	87.31	57.15	190.50	41.28	95.25	254.00	134.94	22.00	-	124.62	100.81	23.81	20.10
	85.00	ZAS5085MM						ZA5085MM														19.90
90.00	ZAS5090MM	ZA5090MM						19.70														
11	3 11/16	ZAS5311	14 1/4	4 1/8	2 1/8	8 1/2	1 3/4	ZA5311	14 1/4	4 1/8	2 1/8	8 1/2	1 3/4	4 1/8	10 7/8	6 1/8	1	-	5 5/8	4 9/16	1 1/32	60.50
	3 15/16	ZAS5315						ZA5315														59.50
	4	ZAS5400	361.95	104.78	53.98	215.90	44.45	ZA5400	361.95	104.78	53.98	215.90	44.45	104.78	276.23	155.58	25.00	-	142.90	115.89	26.19	58.50
	100.00	ZAS5100MM						ZA5100MM														26.50

Continued...

Continued...

Bearing Dimensions

Size Code	Shaft Diameter	Expansion					Fixed					A Base to Center- line Height	B Distance Between Bolt Holes	D	F	G Bolt Hole Spacing (Width)	M	N	P	Approx. Weight		
		Part Number	C	E	H	L	S	Part Number	C	E	H										L	S
Four-Bolt Pillow Block																						
6	1 15/16	ZAS5115F	8 3/8	3 3/16	1 3/8	4 9/16	7/8	ZA5115F	8 3/8	3 3/16	1 3/8	4 9/16	7/8	2 1/4	6 1/4	3 13/16	1/2	1 19/32	2 7/8	2 5/16	1 1/16	13.80
	45.00	ZAS5050MMF	212.73	80.96	34.93	115.89	22.23	ZA5050MMF	212.73	80.96	34.93	115.89	22.23	57.15	158.75	96.84	13.00	40.89	73.03	58.74	22.23	6.30
7	2	ZAS5200F	8 7/8	3 1/4	1 5/8	5	7/8	ZA5200F	8 7/8	3 1/4	1 5/8	5	7/8	2 1/2	6 3/4	4 1/8	1/2	1 11/16	3 1/4	2 5/8	1 3/16	17.00
	2 3/16	ZAS5203F						ZA5203F														17.60
	55.00	ZAS5055MMF	225.43	82.55	41.28	127.00	22.23	ZA5055MMF	225.43	82.55	41.28	127.00	22.23	63.50	171.45	104.78	13.00	42.86	82.60	66.68	22.23	8.00
8	2 7/16	ZAS5207F	9 1/4	3 3/8	1 3/4	5 1/2	7/8	ZA5207F	9 1/4	3 3/8	1 3/4	5 1/2	7/8	2 3/4	7 1/8	4 3/8	1/2	1 3/4	3 9/16	2 29/32	7/8	17.90
	60.00	ZAS5060MMF						ZA5060MMF						69.85	180.98	111.13	13.00	44.45	90.50	73.81	22.23	8.10
	65.00	ZAS5065MMF	234.95	85.73	44.45	139.70	22.23	ZA5065MMF	234.95	85.73	44.45	139.70	22.23	69.85	180.98	111.13	13.00	44.45	90.50	73.81	22.23	7.80
9	2 1/2	ZAS5208F						ZA5208F														30.70
	2 11/16	ZAS5211F	10 7/16	3 3/4	2 1/4	6 7/16	1	ZA5211F	10 7/16	3 3/4	2 1/4	6 7/16	1	3 1/4	8 1/8	4 7/8	5/8	1 7/8	4 1/16	3 3/8	7/8	29.70
	2 15/16	ZAS5215F						ZA5215F														29.20
	70.00	ZAS5070MMF	265.11	95.25	57.15	163.51	25.40	ZA5070MMF	265.11	95.25	57.15	163.51	25.40	82.55	206.38	123.83	16.00	47.63	103.20	85.73	22.23	13.50
	75.00	ZAS5075MMF						ZA5075MMF														
10	3 3/16	ZAS5303F						ZA5303F														44.70
	3 7/16	ZAS5307F	13	4 1/8	2 1/4	7 1/2	1 1/2	ZA5307F	13	4 1/8	2 1/4	7 1/2	1 1/2	3 3/4	10	5 5/16	3/4	2	4 29/32	3 31/32	15/16	42.80
	80.00	ZAS5080MMF						ZA5080MMF														20.30
	85.00	ZAS5085MMF	330.20	104.78	57.15	190.50	38.10	ZA5085MMF	330.20	104.78	57.15	190.50	38.10	95.25	254.00	134.94	19.00	50.80	124.62	100.81	23.81	20.10
	90.00	ZAS5090MMF						ZA5090MMF														19.90
11	3 11/16	ZAS5311F						ZA5311F														65.50
	3 15/16	ZAS5315F	15 1/4	4 1/2	2 5/8	8 1/2	1 1/4	ZA5315F	15 1/4	4 1/2	2 5/8	8 1/2	1 1/4	4 1/4	12 1/2	6 1/8	3/4	2 1/4	5 5/8	4 9/16	1 1/32	64.50
	4	ZAS5400F						ZA5400F														63.50
	100.00	ZAS5100MMF	387.35	114.30	66.68	215.90	31.75	ZA5100MMF	387.35	114.30	66.68	215.90	31.75	107.95	317.50	155.58	19.00	57.15	142.90	115.89	26.19	28.80

Additional Notes

Please call 1-866-REXNORD for availability
 Metric bore sizes available, see the Rex Interchangeability guide
 Lubrication fitting tap size 1/8" PT
 Base to centerline tolerance, +/- .005 in (+/- 0.13 mm)
 Bore size = nominal shaft size +.001 in/- .000 in (+0.03mm/-0.00mm)
 Expansion - is 3/8" for all size codes
 Seals - To specify K or M seal, replace "Z" in part number with "K" or "M"

Auxiliary end caps - available in all size codes except ZAS series
 For the Selection Guide, Load Ratings and Speed Limits, see the Rex Spherical Roller Bearings Engineering section
 Note: Dimensions subject to change. Certified dimensions of ordered material furnished on request.

ZA6000, ZAS6000

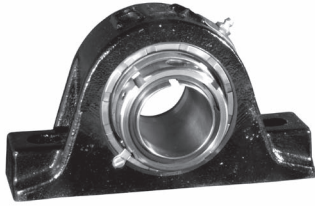
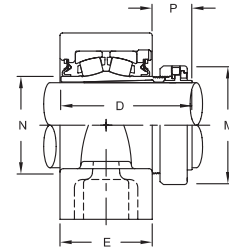
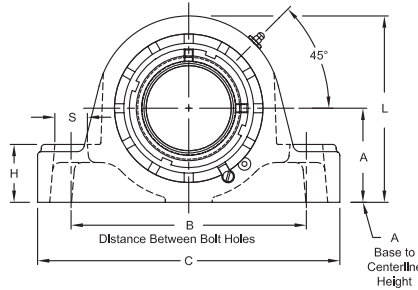


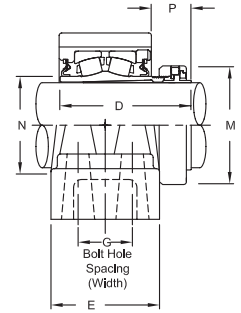
Photo Shows a 2-Bolt Spherical Roller Bearing Pillow Block Unit

Product Features

- Spyglass™ Optical Strain Sensor (OSS) Technology
- Positive locking system
- Tapered adapter sleeve
- Corrosion-resistant powder coating
- Cast iron housing
- Misalignment capabilities - total of 4°
- Broad range of sealing options
- Factory set clearance & lubrication
- Precision ground & superfinished raceways
- See Features & Benefits for additional info.



Fixed Block



Floating Block

Bearing Dimensions

Size Code	Shaft Diameter	Expansion					Fixed					A Base to Centerline Height	B Distance Between Bolt Holes	G Bolt Hole Spacing (Width)	D	F Bolts	M	N	P	Approx. Weight		
		Part Number	C	E	H	L	S	Part Number	C	E	H										L	S
Two-Bolt Pillow Block																						
4	1 7/16	ZAS6107	6 9/16	2 3/16	1	3 7/8	7/8	ZA6107	6 9/16	2 1/4	1 3/16	3 11/16	13/16	1 7/8	5	-	3 21/64	1/2	2 25/64	1 3/4	1 9/64	6.10 lb
5	1 11/16	ZAS6111	7 1/8	2 3/16	1 1/8	4 3/8	7/8	ZA6111	7 1/8	2 1/2	1 5/16	4 1/4	13/16	2 1/8	5 1/2	-	3 47/64	1/2	2 41/64	2 1/32	1 9/32	9.50 lb
6	1 15/16	ZAS6115	8 3/8	2 1/2	1 3/8	4 9/16	1	ZA6115	8 1/8	2 1/2	1 3/8	4 9/16	15/16	2 1/4	6 1/4	-	3 41/64	5/8	2 55/64	2 5/16	1 1/8	10.90 lb
	45.00	ZAS6045MM	212.73	63.50	34.93	115.89	25.40	ZA6045MM	212.73	63.50	34.93	115.89	25.40	57.15	158.75	-	92.47	16.00	72.63	58.74	28.58	5.20 kg
7	2 3/16	ZAS6203	8 5/8	2 9/16	1 5/8	5	1	ZA6203	8 5/8	2 9/16	1 5/8	5	1	2 1/2	6 3/4	-	3 11/16	5/8	3 15/64	2 5/8	1 5/32	12.90 lb
	55.00	ZAS6055MM	225.43	65.09	41.28	127.00	25.40	ZA6055MM	225.43	65.09	41.28	127.00	25.40	63.50	171.45	-	93.66	16.00	82.15	66.68	29.37	7.20 kg
8	2 3/8	ZAS6206	9 1/8	2 11/16	1 5/8	5 1/2	1	ZA6206	9 1/8	2 11/16	1 5/8	5 1/2	1	2 3/4	7 1/8	-	4 1/16	5/8	3 19/32	2 29/32	1 27/64	16.10 lb
	2 7/16	ZAS6207						ZA6207														16.30 lb
8	60.00	ZAS6060MM	231.78	68.26	41.28	139.70	25.40	ZA6060MM	231.78	68.26	41.28	139.70	25.40	69.85	180.98	-	103.19	16.00	91.28	73.81	36.12	7.80 kg
	9	2 11/16	ZAS6211	10 7/16	3 3/16	2	6 7/16	1 1/8	ZA6211	10 7/16	3 3/16	2	6 7/16	1 1/8	3 1/4	8 1/8	-	4 17/32	3/4	4 3/32	3 3/8	1 25/64
2 3/4		ZAS6212	ZA6212						26.90 lb													
9	2 15/16	ZAS6215	70.00	80.96	50.80	163.51	28.58	ZA6215	70.00	80.96	50.80	163.51	28.58	82.55	206.38	-	115.09	19.00	103.98	85.73	35.32	26.00 lb
	75.00	ZAS6075MM						ZA6075MM														13.10 kg
9	75.00	ZAS6075MM	165.11	80.96	50.80	163.51	28.58	ZA6075MM	165.11	80.96	50.80	163.51	28.58	82.55	206.38	-	115.09	19.00	103.98	85.73	35.32	12.90 kg
	10	3 3/16	ZAS6303	13	3 7/16	2 1/4	7 1/2	1 5/8	ZA6303	13	3 7/16	2 1/4	7 1/2	1 5/8	3 3/4	10	-	5 1/32	7/8	4 61/64	3 31/32	1 19/32
3 7/16		ZAS6307	ZA6307						40.30 lb													
10	80.00	ZAS6080MM	330.20	87.31	57.15	190.50	41.28	ZA6080MM	330.2	87.31	57.15	190.50	41.28	95.25	254.00	-	127.79	22.00	125.81	100.81	40.48	20.10 kg
	85.00	ZAS6085MM	330.20	87.31	57.15	190.50	41.28	ZA6085MM	330.2	87.31	57.15	190.50	41.28	95.25	254.00	-	127.79	22.00	125.81	100.81	40.48	19.90 kg
11	3 11/16	ZAS6311	14 1/4	4 1/8	2 1/8	8 1/2	1 3/4	ZA6311	14 1/4	4 1/8	2 1/8	8 1/2	1 3/4	4 1/8	10 7/8	-	5 31/32	1	5 43/64	4 9/16	1 47/64	58.00 lb
	3 15/16	ZAS6315						ZA6315														56.00 lb
100.00	ZAS6100MM	361.95	104.78	53.98	215.90	44.45	ZA6100MM	361.95	104.78	53.98	215.90	44.45	104.78	276.23	-	146.84	25.00	144.07	115.89	44.05	26.50 kg	
Four-Bolt Pillow Block																						
6	1 15/16	ZAS6115F	8 3/8	3 3/16	1 3/8	4 9/16	7/8	ZA6115F	8 3/8	3 3/16	1 3/8	4 9/16	7/8	2 1/4	6 1/4	1 19/32	3 41/64	1/2	2 55/64	2 5/16	1 1/8	11.70 lb
	45.00	ZAS6045MMF	212.73	80.96	34.93	115.89	22.23	ZA6045MMF	212.73	80.96	34.93	115.89	22.23	57.15	158.75	40.89	92.47	13.00	72.63	58.74	28.58	6.30 kg
7	2 3/16	ZAS6203F	8 7/8	3 1/4	1 5/8	5	7/8	ZA6203F	8 7/8	3 1/4	1 5/8	5	7/8	2 1/2	6 3/4	1 11/16	3 11/16	1/2	3 15/64	2 5/8	1 5/32	15.30 lb
	55.00	ZAS6055MMF	225.43	82.55	41.28	127.00	22.23	ZA6055MMF	225.43	82.55	41.28	127.00	22.23	63.50	171.45	42.86	93.66	13.00	82.15	66.68	29.37	8.00 kg
8	2 3/8	ZAS6206F	9 1/4	3 3/8	1 3/4	5 1/2	7/8	ZA6206F	9 1/4	3 3/8	1 3/4	5 1/2	7/8	2 3/4	7 1/8	1 3/4	4 1/16	1/2	3 19/32	2 29/32	1 27/64	16.90 lb
	2 7/16	ZAS6207F						ZA6207F														16.60 lb
8	60.00	ZAS6060MMF	234.95	85.73	44.45	139.70	22.23	ZA6060MMF	234.95	85.73	44.45	139.70	22.23	69.85	180.98	44.45	103.19	13.00	91.28	73.81	36.12	8.10 kg
9	2 11/16	ZAS6211F	10 7/16	3 3/4	2 1/4	6 7/16	1	ZA6211F	10 7/16	3 3/4	2 1/4	6 7/16	1	3 1/4	8 1/8	1 7/8	4 17/32	5/8	4 3/32	3 3/8	1 25/64	28.00 lb
	2 3/4	ZAS6212F						ZA6212F														26.80 lb
9	2 15/16	ZAS6215F	70.00	95.25	57.15	163.51	25.40	ZA6215F	70.00	95.25	57.15	163.51	25.40	82.55	206.38	47.63	115.09	16.00	103.98	85.73	35.32	13.50 kg
	75.00	ZAS6075MMF						ZA6075MMF														13.20 kg
75.00	ZAS6075MMF	165.11	95.25	57.15	163.51	25.40	ZA6075MMF	165.11	95.25	57.15	163.51	25.40	82.55	206.38	47.63	115.09	16.00	103.98	85.73	35.32	13.20 kg	

Continued...

Continued...

Bearing Dimensions

Size Code	Shaft Diameter	Expansion					Fixed					A Base to Center-line Height	B Distance Between Bolt Holes	G Bolt Hole Spacing (Width)	D	F Bolts	M	N	P	Approx. Weight		
		Part Number	C	E	H	L	S	Part Number	C	E	H										L	S
Four-Bolt Pillow Block																						
10	3 ³ / ₁₆	ZAS6303F	13	4 1/8	2 1/4	7 1/2	1 1/2	ZA6303F	13	4 1/8	2 1/4	7 1/2	1 1/2	3 3/4	10	5 1/32	3/4	2	4 61/64	3 31/32	1 19/32	42.10 lb 40.60 lb
	3 ⁷ / ₁₆	ZAS6307F						ZA6307F														20.30 kg 20.10 kg
	80.00	ZAS6080MMF	330.20	104.78	57.15	190.50	38.10	ZA6080MMF	330.20	104.78	57.15	190.50	38.10	95.25	254.00	50.80	127.79	19.00	125.81	100.81	40.48	20.10 kg
	85.00	ZAS6085MMF						ZA6085MMF														
11	3 ¹¹ / ₁₆	ZAS6311F	15 1/4	4 1/2	2 5/8	8 1/2	1 1/4	ZA6311F	15 1/4	4 1/2	2 5/8	8 1/2	1 1/4	4 1/4	12 1/2	5 31/32	3/4	2 1/4	5 43/64	4 9/16	1 47/64	63.00 lb 61.00 lb
	3 ¹⁵ / ₁₆	ZAS6315F						ZA6315F														61.00 lb
	100.00	ZAS6100MMF	387.35	114.30	66.68	215.90	31.75	ZA6100MMF	387.35	114.30	66.68	215.90	31.75	107.95	317.50	57.15	146.84	19.00	144.07	115.89	44.05	28.80 kg

Additional Notes

Please call 1-866-REXNORD for availability
 Metric bore sizes available, see the Rex Interchangeability guide
 Lubrication fitting tap size: for fixed units 1/8" PT
 Base to centerline tolerance, +/- .005 in (+/- 0.13 mm)
 Expansion - is 3/8" for all size codes
 Seals - To specify K or M seal, replace "Z" in part number with "K" or "M"
 Auxiliary end caps - available in all size codes except ZAS series

For the Selection Guide, Load Ratings and Speed Limits, see the Rex Spherical Roller Bearings Engineering section
 Note: Dimensions subject to change. Certified dimensions of ordered material furnished on request.

ZA9000, ZAS9000

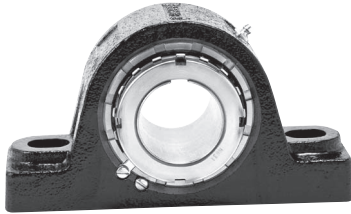
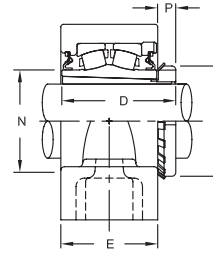
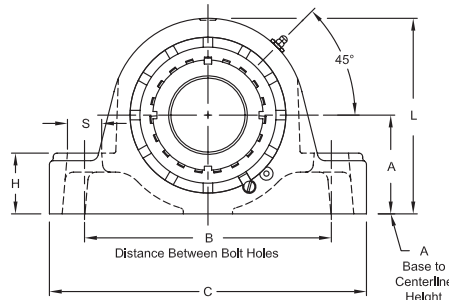


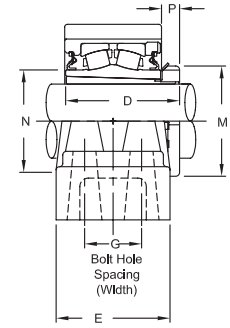
Photo Shows a 2-Bolt Spherical Roller Bearing Pillow Block Unit

Product Features

- Corrosion-resistant powder coating
- Cast iron housing
- Misalignment capabilities - total of 4°
- Broad range of sealing options
- Factory set clearance & lubrication
- Precision ground & superfinished raceways
- Enhanced life mounting style
- Field interchangeable seals
- Fixed or Expansion - total of 3/8" expansion
- See Features & Benefits for additional info.



Fixed Block



Floating Block

Bearing Dimensions

Size Code	Shaft Diameter	Expansion		Fixed		A Base to Centerline Height	B Distance Between Bolt Holes	G Bolt Hole Spacing (Width)	C	D	E	F Bolts	H	L	M	N	P	S	Approx. Weight														
		Part Number	Part Number																														
Two-Bolt Pillow Block																																	
7	1 15/16	ZAS9115	ZA9115	2 1/2	6 3/4	-	8 5/8	3 5/32	2 9/16	5/8	1 5/8	5	2 31/32	2 5/8	19/32	1	13.70																
	2	ZAS9200	ZA9200															13.60															
	45.00	ZAS9045MM	ZA9045MM															63.50	171.45	-	225.43	80.17	65.09	16.00	41.28	127.00	75.40	66.680	15.08	25.40	6.10		
	50.00	ZAS9050MM	ZA9050MM																														
8	2 3/16	ZAS9203	ZA9203	2 3/4	7 1/8	-	9 1/8	3 11/32	2 11/16	5/8	1 5/8	5 1/2	3 3/8	2 29/32	23/32	1	16.40																
	55.00	ZAS9055MM	ZA9055MM	69.85	180.98	-	231.78	84.93	68.26	16.00	41.28	139.70	85.73	73.810	18.26	25.40	7.50																
9	2 7/16	ZAS9207	ZA9207	3 1/4	8 1/8	-	10 7/16	3 3/4	3 3/16	3/4	2	6 7/16	3 5/8	3 3/8	5/8	1 1/8	26.60																
	2 1/2	ZAS9208	ZA9208																														
10	2 11/16	ZAS9211	ZA9211	3 3/4	10	-	13	4 1/4	3 7/16	7/8	2 1/4	7 1/2	4 13/32	3 31/32	13/16	1 5/8	43.00																
	2 15/16	ZAS9215	ZA9215																														
	75.00	ZAS9075MM	ZA9075MM	95.25	254.00	-	330.20	107.95	87.31	22.00	57.15	190.50	111.92	100.810	20.64	41.28	19.00																
																				61.00													
11	3 3/16	ZAS9303	ZA9303	4 1/8	10 7/8	-	14 1/4	5	4 1/8	1	2 1/8	8 1/2	5 3/16	4 9/16	15/16	1 3/4	59.00																
	3 7/16	ZAS9307	ZA9307																														
	80.00	ZAS9080MM	ZA9080MM	104.78	276.23	-	361.95	127.00	104.78	25.00	53.98	215.90	131.76	115.890	23.81	44.45	27.00																
Four-Bolt Pillow Block																																	
7	1 15/16	ZAS9115F	ZA9115F	2 1/2	6 3/4	1 11/16	8 7/8	3 5/32	3 1/4	1/2	1 5/8	5	2 31/32	2 5/8	19/32	7/8	15.50																
	2	ZAS9200F	ZA9200F															15.40															
	45.00	ZAS9045MMF	ZA9045MMF															63.50	171.45	42.86	225.43	80.17	82.55	13.00	41.28	127.00	75.40	66.680	15.08	22.23	7.00		
	50.00	ZAS9050MMF	ZA9050MMF																														
8	2 3/16	ZAS9203F	ZA9203F	2 3/4	7 1/8	1 3/4	9 1/4	3 11/32	3 3/8	1/2	1 3/4	5 1/2	3 3/8	2 29/32	23/32	7/8	17.20																
	55.00	ZAS9055MMF	ZA9055MMF	69.85	180.98	44.45	234.95	84.93	85.73	13.00	44.45	139.70	85.73	73.810	18.26	22.23	7.80																
9	2 7/16	ZAS9207F	ZA9207F	3 1/4	8 1/8	1 7/8	10 7/16	3 3/4	3 3/4	5/8	2 1/4	6 7/16	3 5/8	3 3/8	5/8	1	27.30																
	2 1/2	ZAS9208F	ZA9208F																														
10	2 11/16	ZAS9211F	ZA9211F	3 3/4	10	2	13	4 1/4	4 1/8	3/4	2 1/4	7 1/2	4 13/32	3 31/32	13/16	1 1/2	43.30																
	2 15/16	ZAS9215F	ZA9215F																														
	75.00	ZAS9075MMF	ZA9075MMF	95.25	254.00	50.80	330.20	107.95	104.78	19.00	57.15	190.50	111.92	100.810	20.64	38.10	19.20																
																				42.10													
11	3 3/16	ZAS9303F	ZA9303F	4 1/4	12 1/2	2 1/4	15 1/4	5	4 1/2	3/4	2 5/8	8 1/2	5 3/16	4 9/16	15/16	1 1/4	66.00																
	3 7/16	ZAS9307F	ZA9307F																														
	80.00	ZAS9080MMF	ZA9080MMF	107.95	317.50	57.15	387.35	127.00	114.30	19.00	66.68	215.90	131.76	115.890	23.81	31.75	29.00																

Additional Notes

- Please call 1-866-REXNORD for availability
- Lubrication fitting tap size 1/8" PT
- Base to centerline tolerance, +/- .005 in (+/- 0.13 mm)
- Expansion - is 3/8" for all size codes
- Seals - To specify K or M seal, replace "Z" in part number with "K" or "M"
- Auxiliary end caps - available in all size codes except ZAS series

For the Selection Guide, Load Ratings and Speed Limits, see the Rex Spherical Roller Bearings Engineering section
 Note: Dimensions subject to change. Certified dimensions of ordered material furnished on request.

ZA2000-72, ZAS2000-72

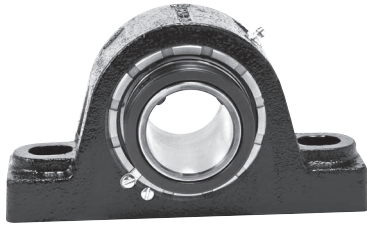
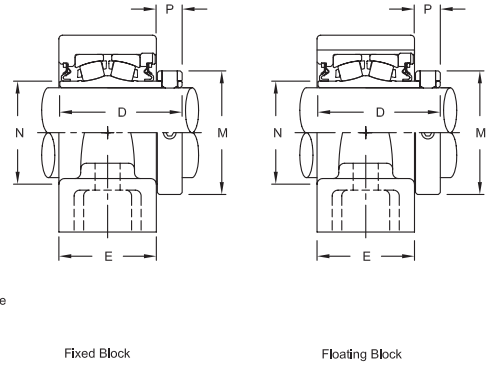
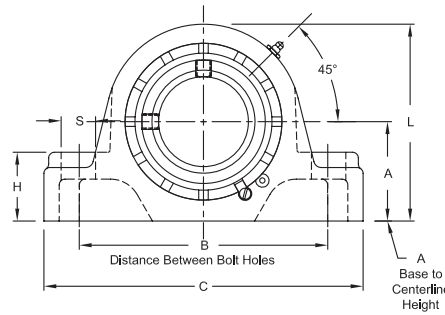


Photo Shows a 2-Bolt Spherical Roller Bearing Pillow Block Unit

Product Features

- Corrosion-resistant powder coating
- Cast steel housing
- Misalignment capabilities - total of 4°
- Broad range of sealing options
- Factory set clearance & lubrication
- Precision ground & superfinished raceways
- Hardened spring locking collar
- Field interchangeable seals
- Fixed or Expansion - total of 3/8" expansion
- See Features & Benefits for additional info.



Bearing Dimensions

Size Code	Shaft Diameter	Expansion					Fixed					A Base to Centerline Height	B Distance Between Bolt Holes	D	E	F	M	N	P	Approx. Weight
		Part Number	C	H	L	S	Part Number	C	H	L	S									
Two-Bolt Pillow Block																				
4	1 7/16	ZAS210772	6 9/16	1	3 7/8	7/8	ZA210772	6 9/16	1	3 5/8	7/8	1 7/8	5	2 7/8	2 1/4	1/2	2 5/16	1 3/4	1 1/16	7.50
	1 1/2	ZAS210872					ZA210872													
	35.00	ZAS2035MM72	166.69	25.40	98.43	22.23	ZA2035MM72	166.69	25.40	92.08	22.23	47.63	127.00	73.02	57.15	13.00	58.74	44.450	17.46	3.40
5	1 11/16	ZAS211172	7 1/8	1 1/8	4 3/8	7/8	ZA211172	7 1/8	1 1/8	4 3/16	7/8	2 1/8	5 1/2	3 1/8	2 1/2	1/2	2 19/32	2 1/32	1 1/16	10.50
	1 3/4	ZAS211272					ZA211272													
	40.00	ZAS2040MM72	180.98	28.58	111.13	22.23	ZA2040MM72	180.98	28.58	106.36	22.23	53.98	139.70	79.38	63.50	13.00	65.88	51.590	17.46	4.70
	45.00	ZAS2045MM72					ZA2045MM72													
6	1 15/16	ZAS211572	8 1/8	1 1/4	4 9/16	15/16	ZA211572	8 3/8	1 3/8	4 9/16	1	2 1/4	6 1/4	3 1/8	2 1/2	5/8	2 7/8	2 5/16	1 1/16	11.70
	2	ZAS220072					ZA220072													
	50.00	ZAS2050MM72	206.38	31.75	115.89	23.81	ZA2050MM72	212.73	34.93	115.89	25.40	57.15	158.75	79.38	63.50	16.00	73.03	58.740	17.46	5.30
7	2 3/16	ZAS220372	8 5/8	1 5/16	5	1	ZA220372	8 7/8	1 5/8	5	1	2 1/2	6 3/4	3 5/16	2 9/16	5/8	3 1/4	2 5/8	1 3/16	14.50
	2 1/4	ZAS220472					ZA220472													
	55.00	ZAS2055MM72	219.08	33.34	127.00	25.40	ZA2055MM72	225.43	41.28	127.00	25.40	63.50	171.45	84.14	65.09	16.00	82.60	66.680	20.64	6.60
8	2 3/8	ZAS220672					ZA220672													
	2 7/16	ZAS220772	9 1/8	1 1/2	5 1/2	1	ZA220772	9 1/4	1 3/4	5 1/2	1	2 3/4	7 1/8	3 1/2	2 11/16	5/8	3 9/16	2 29/32	7/8	18.00
	2 1/2	ZAS220872					ZA220872													
	60.00	ZAS2060MM72	231.78	38.10	139.70	25.40	ZA2060MM72	234.95	44.45	139.70	25.40	69.85	180.98	88.90	68.26	16.00	90.50	73.810	22.23	8.20
	65.00	ZAS2065MM72					ZA2065MM72													
9	2 11/16	ZAS221172					ZA221172													
	2 3/4	ZAS221272	10 7/16	1 1/8	6 7/16	1 1/8	ZA221272	10 7/16	2 1/4	6 7/16	1 1/8	3 1/4	8 1/8	4	3 3/16	3/4	4 1/16	3 3/8	7/8	25.50
	2 15/16	ZAS221572					ZA221572													
	3	ZAS230072					ZA230072													
	70.00	ZAS2070MM72	265.11	28.58	163.51	28.58	ZA2070MM72	265.11	57.15	163.51	28.58	82.55	206.38	101.60	80.96	19.00	103.20	85.730	22.23	11.60
	75.00	ZAS2075MM72					ZA2075MM72													
10	3 3/16	ZAS230372					ZA230372													
	3 7/16	ZAS230772	13	2 1/4	7 1/2	1 5/8	ZA230772	13	2 1/4	7 1/2	1 5/8	3 3/4	10	4 3/8	3 7/16	7/8	4 29/32	3 31/32	1 5/16	42.50
	3 1/2	ZAS230872					ZA230872													
	80.00	ZAS2080MM72					ZA2080MM72													
	85.00	ZAS2085MM72	330.20	57.15	190.50	41.28	ZA2085MM72	330.20	57.15	190.50	41.28	95.25	254.00	111.13	87.31	22.00	124.62	100.810	23.81	19.30
	90.00	ZAS2090MM72					ZA2090MM72													
11	3 11/16	ZAS231172					ZA231172													
	3 15/16	ZAS231572	14 1/4	2 1/8	8 1/2	1 3/4	ZA231572	14 1/4	2 1/8	8 1/2	1 3/4	4 1/8	10 7/8	5 1/16	4 1/8	1	5 5/8	4 9/16	1 1/32	52.50
	4	ZAS240072					ZA240072													
	100.00	ZAS2100MM72	361.95	53.98	215.90	44.45	ZA2100MM72	361.95	53.98	215.90	44.45	104.78	276.23	128.59	104.78	25.00	142.90	115.890	26.19	23.80

Additional Notes

- Please call 1-866-REXNORD for availability
- Metric bore sizes available, see the Rex Interchangeability guide
- Lubrication fitting tap size 1/8" PT
- Base to centerline tolerance, +/- .005 in (+/- 0.13 mm)
- Bore size = nominal shaft size +.001 in/- .000 in (+0.03mm/-0.00mm)
- Expansion - is 3/8" for all size codes
- Seals - To specify K or M seal, replace "Z" in part number with "K" or "M"

Auxiliary end caps - available in all size codes except ZAS series
 For the Selection Guide, Load Ratings and Speed Limits, see the Rex Spherical Roller Bearings Engineering section
 Note: Dimensions subject to change. Certified dimensions of ordered material furnished on request.

ZA3000-72, ZAS3000-72

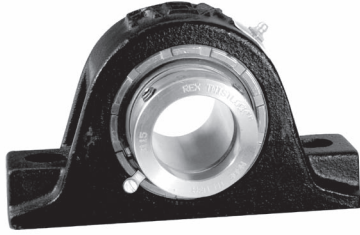
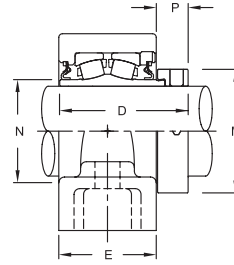
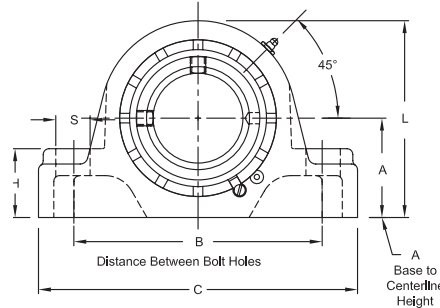


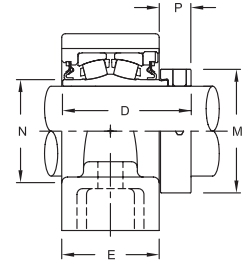
Photo Shows a 2-Bolt Spherical Roller Bearing Pillow Block Unit

Product Features

- Corrosion-resistant powder coating
- Cast steel housing
- Misalignment capabilities - total of 4°
- Broad range of sealing options
- Factory set clearance & lubrication
- Precision ground & superfinished raceways
- Eccentric locking collar
- Field interchangeable seals
- Fixed or Expansion - total of 3/8" expansion
- See Features & Benefits for additional info.



Fixed Block



Floating Block

Bearing Dimensions

Size Code	Shaft Diameter	Expansion					Fixed					A Base to Centerline Height	B Distance Between Bolt Holes	D	E	F Bolts	M	N	P	Approx. Weight
		Part Number	C	H	L	S	Part Number	C	H	L	S									
Two-Bolt Pillow Block																				
4	1 7/16	ZAS310772	6 9/16	1	3 7/8	7/8	ZA310772	6 9/16	1	3 5/8	7/8	1 7/8	5	2 59/64	2 1/4	1/2	2 5/16	1 3/4	3/4	8.00
5	1 11/16	ZAS311172	7 1/8	1 1/8	4 3/8	7/8	ZA311172	7 1/8	1 1/8	4 3/16	7/8	2 1/8	5 1/2	3 3/16	2 1/2	1/2	2 19/32	2 1/32	3/4	10.50
6	1 15/16	ZAS311572	8 1/8	1 1/4	4 9/16	15/16	ZA311572	8 3/8	1 3/8	4 9/16	1	2 1/4	6 1/4	3 9/32	2 1/2	5/8	2 3/4	2 5/16	13/16	12.00
7	2 3/16	ZAS320372	8 5/8	1 5/16	5	1	ZA320372	8 7/8	1 9/8	5	1	2 1/2	6 3/4	3 1/2	2 9/16	5/8	3 1/4	2 5/8	31/32	15.00
8	2 7/16	ZAS320772	9 1/8	1 1/2	5 1/2	1	ZA320772	9 1/4	1 3/4	5 1/2	1	2 3/4	7 1/8	3 21/32	2 11/16	5/8	3 9/16	2 29/32	1 1/64	18.00
	2 1/2	ZAS320872																		
9	2 11/16	ZAS321172	10 7/16	1 1/8	6 7/16	1 1/8	ZA321172	10 7/16	2 1/4	6 7/16	1 1/8	3 1/4	8 1/8	4 13/64	3 3/16	3/4	4 1/16	3 3/8	1 1/64	26.80
	2 15/16	ZAS321572																		
10	3 7/16	ZAS330772	13	2 1/4	7 1/2	1 5/8	ZA330772	13	2 1/4	7 1/2	1 5/8	3 3/4	10	4 9/16	3 7/16	7/8	4 29/32	3 31/32	1 9/64	42.50
	3 1/2	ZAS330872																		
11	3 15/16	ZAS331572	14 1/4	2 1/8	8 1/2	1 3/4	ZA331572	14 1/4	2 1/8	8 1/2	1 3/4	4 1/8	10 7/8	5 3/16	4 1/8	1	5 5/8	4 9/16	1 1/16	52.00

Additional Notes

- Please call 1-866-REXNORD for availability
- Lubrication fitting tap size 1/8" PT
- Base to centerline tolerance, +/- .005 in (+/- 0.13 mm)
- Bore size = nominal shaft size + .001 in / - .000 in (+0.03mm/-0.00mm)
- Expansion - is 3/8" for all size codes
- Seals - To specify K or M seal, replace "Z" in part number with "K" or "M"
- Auxiliary end caps - available in all size codes except ZAS series

For the Selection Guide, Load Ratings and Speed Limits, see the Rex Spherical Roller Bearings Engineering section
 Note: Dimensions subject to change. Certified dimensions of ordered material furnished on request.

ZA5000-72, ZAS5000-72

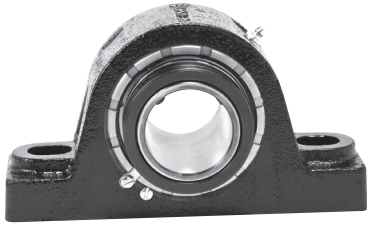
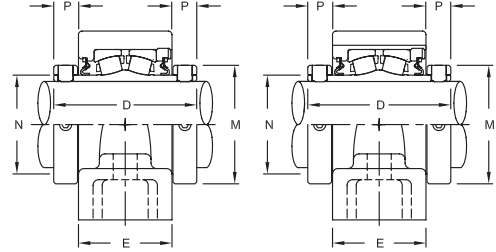
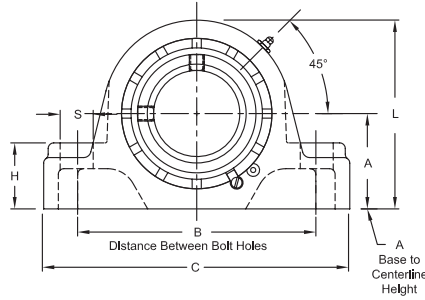


Photo Shows a 2-Bolt Spherical Roller Bearing Pillow Block Unit

Product Features

- Corrosion-resistant powder coating
- Cast steel housing
- Misalignment capabilities - total of 4°
- Broad range of sealing options
- Factory set clearance & lubrication
- Precision ground & superfinished raceways
- Two hardened spring locking collars
- Field interchangeable seals
- Fixed or Expansion - total of 3/8" expansion
- See Features & Benefits for additional info.



Fixed Block

Floating Block

Bearing Dimensions

Size Code	Shaft Diameter	Expansion						Fixed						A Base to Centerline Height	B Distance Between Bolt Holes	D	E	F Bolts	M	N	P
		Part Number	C	H	L	S	Approx. Weight	Part Number	C	H	L	S	Approx. Weight								
Two-Bolt Pillow Block																					
4	1 7/16	ZAS510772	6 9/16	1	3 7/8	7/8	8.50	ZA510772	6 9/16	1	3 5/8	7/8	7.30	1 7/8	5	3 9/16	2 1/4	1/2	2 5/16	1 3/4	1 1/16
	35.00	ZAS5035MM72	166.69	25.40	98.43	22.23	3.90	ZA5035MM72	166.69	25.40	92.08	22.23	3.30	47.63	127.00	90.49	57.15	13.00	58.74	44.450	17.46
5	1 1/2	ZAS510872	7 1/8	1 1/8	4 3/8	7/8	12.10	ZA510872	7 1/8	1 1/8	4 3/16	7/8	10.70	2 1/8	5 1/2	3 13/16	2 1/2	1/2	2 19/32	2 1/32	1 1/16
	1 11/16	ZAS511172					11.70	ZA511172					10.30								
	40.00	ZAS5040MM72	180.98	28.58	111.13	22.23	5.50	ZA5040MM72	180.98	28.58	106.36	22.23	4.90	53.98	139.70	96.84	63.50	13.00	65.88	51.590	17.46
	45.00	ZAS5045MM72						ZA5045MM72					4.70								
6	1 15/16	ZAS511572	8 1/8	1 1/4	4 9/16	15/16	12.80	ZA511572	8 3/8	1 3/8	4 9/16	1	11.90	2 1/4	6 1/4	3 13/16	2 1/2	5/8	2 7/8	2 5/16	1 1/16
	50.00	ZAS5050MM72	206.38	31.75	115.89	23.81	5.80	ZA5050MM72	212.73	34.93	115.89	25.40	5.40	57.15	158.75	96.84	63.50	16.00	73.03	58.740	17.46
7	2	ZAS520072	8 5/8	1 5/16	5	1	16.50	ZA520072	8 7/8	1 5/8	5	1	16.00	2 1/2	6 3/4	4 1/8	2 9/16	5/8	3 1/4	2 5/8	1 3/16
	2 3/16	ZAS520372					15.20	ZA520372					15.40								
	55.00	ZAS5055MM72	219.08	33.34	127.00	25.40	7.00	ZA5055MM72	225.43	41.28	127.00	25.40	7.00	63.50	171.45	104.78	65.09	16.00	82.60	66.680	20.64
8	2 7/16	ZAS520772	9 1/8	1 1/2	5 1/2	1	19.40	ZA520772	9 1/4	1 3/4	5 1/2	1	18.60	2 3/4	7 1/8	4 3/8	2 11/16	5/8	3 9/16	2 29/32	7/8
	60.00	ZAS5060MM72	231.78	38.10	139.70	25.40	8.80	ZA5060MM72	234.95	44.45	139.70	25.40	8.50	69.85	180.98	111.13	68.26	16.00	90.50	73.810	22.23
	65.00	ZAS5065MM72					8.60	ZA5065MM72					8.30								
9	2 1/2	ZAS520872					29.70	ZA520872					28.90								
	2 11/16	ZAS521172	10 7/16	1 1/8	6 7/16	1 1/8	28.70	ZA521172	10 7/16	2 1/4	6 7/16	1 1/8	27.90	3 1/4	8 1/8	4 7/8	3 3/16	3/4	4 1/16	3 3/8	7/8
	2 15/16	ZAS521572					28.20	ZA521572					27.40								
	70.00	ZAS5070MM72	265.11	28.58	163.51	28.58	13.00	ZA5070MM72	265.11	57.15	163.51	28.58	13.50	82.55	206.38	123.83	80.96	19.00	103.20	85.730	22.23
	75.00	ZAS5075MM72					12.50	ZA5075MM72					13.00								
10	3 3/16	ZAS530372	13	2 1/4	7 1/2	1 5/8	46.60	ZA530372	13	2 1/4	7 1/2	1 5/8	42.10	3 3/4	10	5 5/16	3 7/16	7/8	4 29/32	3 31/32	15/16
	3 7/16	ZAS530772					44.70	ZA530772					40.20								
	80.00	ZAS5080MM72	330.20	57.15	190.50	41.28	21.10	ZA5080MM72	330.20	57.15	190.50	41.28	19.00	95.25	254.00	134.94	87.31	22.00	124.62	100.810	23.81
	85.00	ZAS5085MM72					20.30	ZA5085MM72					18.20								
11	3 11/16	ZAS531172					59.50	ZA531172					50.80								
	3 15/16	ZAS531572	14 1/4	2 1/8	8 1/2	1 3/4	58.50	ZA531572	14 1/4	2 1/8	8 1/2	1 3/4	49.80	4 1/8	10 7/8	6 1/8	4 1/8	1	5 5/8	4 9/16	1 1/32
	4	ZAS540072					57.50	ZA540072					48.80								
	100.00	ZAS5100MM72	361.95	53.98	215.90	44.45	26.50	ZA5100MM72	361.95	53.98	215.90	44.45	22.50	104.78	276.23	155.58	104.78	25.00	142.90	115.890	26.19

Additional Notes

- Please call 1-866-REXNORD for availability
- Metric bore sizes available, see the Rex Interchangeability guide
- Lubrication fitting tap size 1/8" PT
- Base to centerline tolerance, +/- .005 in (+/- 0.13 mm)
- Bore size = nominal shaft size +.001 in/- .000 in (+0.03mm/-0.00mm)
- Expansion - is 3/8" for all size codes
- Seals - To specify K or M seal, replace "Z" in part number with "K" or "M"

- Auxiliary end caps - available in all size codes except ZAS series
- For the Selection Guide, Load Ratings and Speed Limits, see the Rex Spherical Roller Bearings Engineering section
- Note: Dimensions subject to change. Certified dimensions of ordered material furnished on request.

ZA6000-72, ZAS6000-72

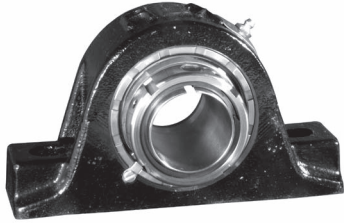
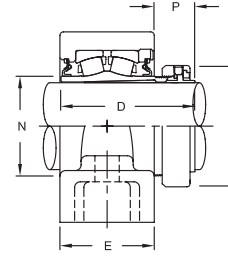
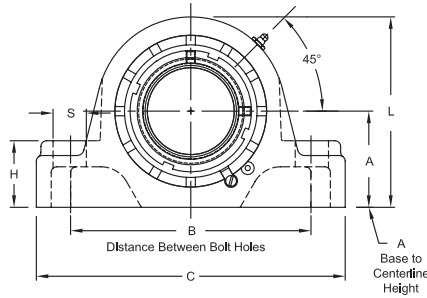


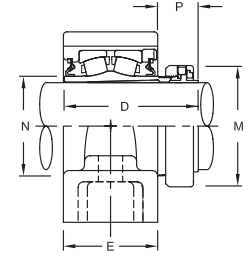
Photo Shows a 2-Bolt Spherical Roller Bearing Pillow Block Unit

Product Features

- Spyglass™ Optical Strain Sensor (OSS) Technology
- Positive locking system
- Tapered adapter sleeve
- Corrosion-resistant powder coating
- Cast steel housing
- Misalignment capabilities - total of 4°
- Broad range of sealing options
- Factory set clearance & lubrication
- Precision ground & superfinished raceways
- See Features & Benefits for additional info.



Fixed Block



Floating Block

Bearing Dimensions

Size Code	Shaft Diameter	Expansion					Fixed					A Base to Centerline Height	B Distance Between Bolt Holes	D	E	F Bolts	L	M	N	P															
		Part Number	C	H	S	Approx. Weight	Part Number	C	H	S	Approx. Weight																								
Two-Bolt Pillow Block																																			
4	1 7/16	ZAS610772	6 7/8	1 3/16	13/16	7.50	ZAS610772	6 7/8	1 3/16	13/16	7.50	1 7/8	5	3 21/64	2 1/4	1/2	3 11/16	2 25/64	1 3/4	1 9/64															
4	1 11/16	ZAS611172	7 3/8	1 5/16	13/16	9.20	ZA611172	7 3/8	1 5/16	13/16	9.20	2 1/8	5 1/2	3 47/64	2 1/2	1/2	4 3/8	2 41/64	2 1/32	1 9/32															
6	1 15/16	ZAS611572	8 1/8	1 1/4	15/16	12.20	ZA611572	8 3/8	1 3/8	1	11.30	2 1/4	6 1/4	3 41/64	2 1/2	5/8	4 9/16	2 55/64	2 5/16	1 1/8															
	45.00	ZAS6045MM72	206.38	31.75	23.81	5.80	ZA6045MM72	212.73	34.93	25.40	5.40	57.15	158.75	92.47	63.50	16.00	115.89	72.63	58.740	28.58															
7	2 3/16	ZAS620372	8 5/8	1 5/16	1	14.80	ZA620372	8 7/8	1 5/8	1	14.30	2 1/2	6 3/4	3 11/16	2 9/16	5/8	5	3 15/64	2 5/8	1 5/32															
	55.00	ZAS6055MM72	219.08	33.34	25.40	7.00	ZA6055MM72	225.43	41.28	25.40	7.00	63.50	171.45	93.66	65.09	16.00	127.00	82.15	66.680	29.37															
8	2 3/8	ZAS620672	9 1/8	1 1/2	1	18.50	ZA620672	9 1/4	1 3/4	1	17.70	2 3/4	7 1/8	4 1/16	2 11/16	5/8	5 1/2	3 19/32	2 29/32	1 27/64															
	2 7/16	ZAS620772				18.40	ZA620772				17.60																								
	60.00	ZAS6060MM72				231.78	38.10				25.40										8.80	ZA6060MM72	234.95	44.45	25.40	8.50	69.85	180.98	103.19	68.26	16.00	139.70	91.28	73.810	36.12
9	2 11/16	ZAS621172	10 7/16	1 1/8	1 1/8	27.00	ZA621172	10 7/16	2 1/4	1 1/8	26.20	3 1/4	8 1/8	4 17/32	3 3/16	3/4	6 7/16	4 3/32	3 3/8	1 25/64															
	2 3/4	ZAS621272				26.60	ZA621272				25.80																								
	2 15/16	ZAS621572				25.50	ZA621572				24.70																								
	70.00	ZAS6070MM72				265.11	28.58				28.58										13.00	ZA6070MM72	265.11	57.15	28.58	13.50	82.55	206.38	115.09	80.96	19.00	163.51	103.98	85.730	35.32
	75.00	ZAS6075MM72				12.50	ZA6075MM72				13.00																								
10	3 3/16	ZAS630372	13	2 1/4	1 5/8	44.00	ZA630372	13	2 1/4	1 5/8	39.50	3 3/4	10	5 1/32	3 7/16	7/8	7 1/2	4 61/64	3 31/32	1 19/32															
	3 7/16	ZAS630772				42.50	ZA630772				41.50																								
	80.00	ZAS6080MM72				330.20	57.15				41.28										21.10	ZA6080MM72	330.20	57.15	41.28	19.00	95.25	254.00	127.79	87.31	22.00	190.50	125.81	100.810	40.48
	85.00	ZAS6085MM72				12.50	ZA6085MM72				13.00																								
11	3 11/16	ZAS631172	14 1/4	2 1/8	1 3/4	57.00	ZA631172	14 1/4	2 1/8	1 3/4	48.30	4 1/8	10 7/8	5 25/32	4 1/8	1	8 1/2	5 43/64	4 9/16	1 47/64															
	3 15/16	ZAS631572				55.00	ZA631572				46.30																								
	100.00	ZAS6100MM72				361.95	53.98				44.45										26.50	ZA6100MM72	361.95	53.98	44.45	22.50	104.78	276.23	146.84	104.78	25.00	215.90	144.07	115.890	44.05

Additional Notes

- Please call 1-866-REXNORD for availability
- Metric bore sizes available, see the Rex Interchangeability guide
- Lubrication fitting tap size 1/8" PT
- Base to centerline tolerance, +/-0.005 in (+/-0.13 mm)
- Expansion - is 3/8" for all size codes
- Seals - To specify K or M seal, replace "Z" in part number with "K" or "M"
- Auxiliary end caps - available in all size codes except ZAS series

For the Selection Guide, Load Ratings and Speed Limits, see the Rex Spherical Roller Bearings Engineering section
 Note: Dimensions subject to change. Certified dimensions of ordered material furnished on request.

ZA9000-72, ZAS9000-72

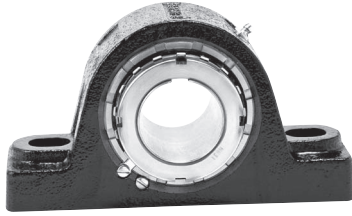
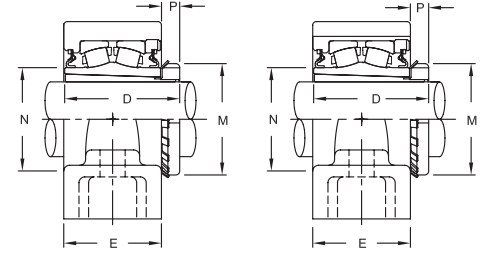
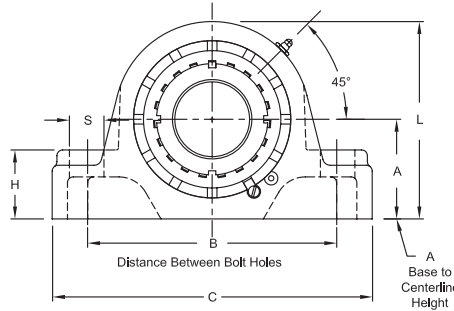


Photo Shows a 2-Bolt Spherical Roller Bearing Pillow Block Unit

Product Features

- Corrosion-resistant powder coating
- Cast steel housing
- Misalignment capabilities - total of 4°
- Broad range of sealing options
- Factory set clearance & lubrication
- Precision ground & superfinished raceways
- Enhanced life mounting style
- Field interchangeable seals
- Fixed or Expansion - total of 3/8" expansion
- See Features & Benefits for additional info.



Fixed Block

Floating Block

Bearing Dimensions

Size Code	Shaft Diameter	Expansion				Fixed				A Base to Centerline Height	B Distance Between Bolt Holes	D	E	F Bolts	L	M	N	P	S
		Part Number	C	H	Approx. Weight	Part Number	C	H	Approx. Weight										
Two-Bolt Pillow Block																			
7	1 15/16	ZAS911572	8 5/8	1 5/16	15.00	ZA911572	8 7/8	1 5/8	14.50	2 1/2	6 3/4	3 5/32	2 9/16	5/8	5	2 31/32	2 5/8	19/32	1
	2	ZAS920072			14.90				14.40										
	45.00	ZAS9045MM72	219.08	33.34	6.80	ZA9045MM72	225.43	41.28	6.60	63.50	171.45	80.17	65.09	16.00	127.00	75.40	66.680	15.08	25.40
	50.00	ZAS9050MM72				ZA9050MM72													
8	2 3/16	ZAS920372	9 1/8	1 1/2	18.70	ZA920372	9 1/4	1 3/4	17.90	2 3/4	7 1/8	3 11/32	2 11/16	5/8	5 1/2	3 3/8	2 29/32	23/32	1
	55.00	ZAS9055MM72	231.78	38.10	8.50	ZA9055MM72	234.95	44.45	8.10	69.85	180.98	84.93	68.26	16.00	139.70	85.73	73.810	18.26	25.40
9	2 7/16	ZAS920772	10 7/16	1 1/8	26.30	ZA920772	10 7/16	2 1/4	25.50	3 1/4	8 1/8	3 3/4	3 3/16	3/4	6 7/16	3 5/8	3 3/8	5/8	1 1/8
	2 1/2	ZAS920872			25.90	25.10													
10	2 11/16	ZAS921172	13	2 1/4	45.20	ZA921172	13	2 1/4	40.70	3 3/4	10	4 1/4	3 7/16	7/8	7 1/2	4 13/32	3 31/32	13/16	1 5/8
	2 15/16	ZAS921572			44.00	39.50													
	75.00	ZAS9075MM72	330.20	57.15	19.90	ZA9075MM72	330.20	57.15	18.00	95.25	254.00	107.95	87.31	22.00	190.50	111.92	100.810	20.64	41.28
11	3 3/16	ZAS930372	14 1/4	2 1/8	60.00	ZA930372	14 1/4	2 1/8	51.30	4 1/8	10 7/8	5	4 1/8	1	8 1/2	5 3/16	4 9/16	15/16	1 3/4
	3 7/16	ZAS930772			57.00	49.30													
	80.00	ZAS9080MM72	361.95	53.98	2,600.00	ZA9080MM72	361.95	53.98	22.30	104.78	276.23	127.00	104.78	25.00	215.90	131.76	115.890	23.81	44.45

Additional Notes

- Please call 1-866-REXNORD for availability
- Lubrication fitting tap size 1/8" PT
- Base to centerline tolerance, +/- .005 in (+/- 0.13 mm)
- Expansion - is 3/8" for all size codes
- Seals - To specify K or M seal, replace "Z" in part number with "K" or "M"
- Auxiliary end caps - available in all size codes except ZAS series
- For the Selection Guide, Load Ratings and Speed Limits, see the Rex Spherical Roller Bearings Engineering section

Note: Dimensions subject to change. Certified dimensions of ordered material furnished on request.

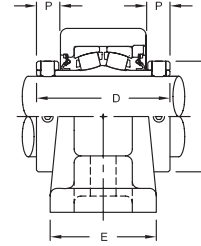
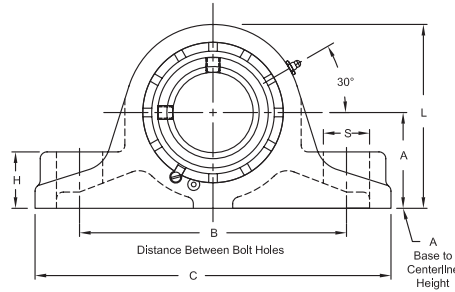
ZP5000, ZPS5000



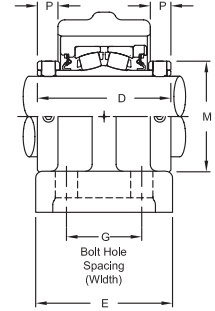
Photo Shows a 2-Bolt Spherical Roller Bearing Pillow Block Unit

Product Features

- Corrosion-resistant powder coating
- Cast iron housing
- Misalignment capabilities - total of 4°
- Broad range of sealing options
- Factory set clearance & lubrication
- Precision ground & superfinished raceways
- Two hardened spring locking collars
- Field interchangeable seals
- Fixed or Expansion - Up to 3/4" expansion
- See Features & Benefits for additional info.



Fixed



Floating

Bearing Dimensions

Size Code	Shaft Diameter	Expansion			Fixed			A Base to Centerline Height	B Distance Between Bolt Holes	G Bolt Hole Spacing (Width)	C	D	E	F	H	M	S		
		Part Number	L	P	Approx. Weight	Part Number	L											P	Approx. Weight
Two-Bolt Pillow Block																			
4	1 7/16	ZPS5107	4 11/32	9/16	10.70	ZP5107	3 31/32	11/16	8.10	2 1/8	5 7/8	-	8 1/8	3 9/16	2 7/16	1/2	1 1/8	2 5/16	1 1/8
	35.00	ZPS5035MM	110.31	14.29	4.90	ZP5035MM	100.79	17.46	3.70	59.98	149.23	-	206.38	90.49	61.91	13.00	28.58	58.74	28.58
5	1 1/2	ZPS5108	4 13/16	1/2	15.70	ZP5108	4 7/16	11/16	11.90	2 5/16	6 1/2	-	9	3 13/16	2 13/16	1/2	1 5/16	2 19/32	1 1/4
	1 11/16	ZPS5111			15.10	ZP5111			11.60										
	40.00	ZPS5040MM	122.24	12.70	7.10	ZP5040MM	112.71	17.46	5.40	58.74	165.10	-	228.60	96.84	71.44	13.00	33.34	65.88	31.75
	45.00	ZPS5045MM			6.80	ZP5045MM			5.20										
6	1 15/16	ZPS5115	4 5/16	9/16	16.10	ZP5115	4 3/4	11/16	13.40	2 1/2	7	-	9 3/4	3 13/16	2 7/8	5/8	1 7/16	2 7/8	1 1/4
	50.00	ZPS5050MM	125.41	14.29	7.30	ZP5050MM	120.65	17.46	6.00	63.50	177.80	-	247.65	96.84	73.02	16.00	36.51	73.03	31.75
7	2	ZPS5200	5 23/32	11/16	21.80	ZP5200	5 1/4	13/16	17.50	2 3/4	7 1/2	-	10 1/4	4 1/8	3 1/8	5/8	1 5/8	3 1/4	1 1/4
	2 3/16	ZPS5203			21.60	ZP5203			16.90										
	55.00	ZPS5055MM	145.24	17.46	9.80	ZP5055MM	133.35	20.64	7.60	69.85	190.50	-	260.35	104.78	79.38	16.00	41.28	82.60	31.75
8	2 7/16	ZPS5207	6 3/16	3/4	25.90	ZP5207	5 3/4	7/8	21.20	3	8 1/4	-	11 1/4	4 3/8	3 3/8	3/4	1 3/4	3 9/16	1 3/8
	60.00	ZPS5060MM	157.16	19.05	11.70	ZP5060MM	146.05	22.23	9.60	76.20	209.55	-	285.75	111.13	85.73	19.00	44.45	90.50	34.93
	65.00	ZPS5065MM			11.20	ZP5065MM			9.00										
9	2 1/2	ZPS5208	7 3/16	3/4	43.40	ZP5208	6 23/32	7/8	35.20	3 1/2	9 3/4	-	13	4 7/8	3 7/8	7/8	2 1/16	4 1/16	1 5/8
	2 11/16	ZPS5211			42.50	ZP5211			33.90										
	2 15/16	ZPS5215	40.40	ZP5215	32.60														
	70.00	ZPS5070MM	182.56	19.05	19.20	ZP5070MM	170.64	22.23	15.40	88.90	247.65	-	330.20	123.83	98.43	22.00	52.39	103.20	41.28
	75.00	ZPS5075MM			18.70	ZP5075MM			15.00										
Four-Bolt Pillow Block																			
6	1 15/16	ZPS5115F	5 5/32	9/16	17.70	ZP5115F	5	11/16	15.80	2 1/2	7	2 1/4	9 3/4	3 13/16	4	5/8	1	2 7/8	1 1/4
	50.00	ZPS5050MMF	130.96	14.29	8.00	ZP5050MMF	127.00	17.46	7.20	63.50	177.80	57.15	247.65	96.84	101.60	16.00	25.40	73.03	31.75
7	2	ZPS5200F	5 23/32	11/16	22.10	ZP5200F	5 1/2	13/16	19.60	2 3/4	7 1/2	2 1/4	10 1/4	4 1/8	4 1/8	5/8	1	3 1/4	1 1/4
	2 3/16	ZPS5203F			21.70	ZP5203F			18.80										
	55.00	ZPS5055MMF	145.24	17.46	9.80	ZP5055MMF	39.70	20.64	8.50	69.85	190.50	57.15	260.35	104.78	104.78	16.00	25.40	82.60	31.75
8	2 7/16	ZPS5207F	6 7/32	3/4	27.40	ZP5207F	6	7/8	24.40	3	8 1/4	2 5/8	11 1/4	4 3/8	4 1/2	5/8	1 1/8	3 9/16	1 1/4
	60.00	ZPS5060MMF	157.94	19.05	12.40	ZP5060MMF	152.40	22.23	11.00	76.20	209.55	66.68	285.75	111.13	114.30	16.00	28.58	90.50	31.75
	65.00	ZPS5065MMF			12.00	ZP5065MMF			10.50										
9	2 1/2	ZPS5208F	7 5/16	3/4	44.20	ZP5208F	7 1/16	7/8	38.20	3 1/2	9 3/4	2 3/4	13	4 7/8	5	3/4	1 3/8	4 1/16	1 1/2
	2 11/16	ZPS5211F			43.40	ZP5211F			37.20										
	2 15/16	ZPS5215F	41.80	ZP5215F	35.10														
	70.00	ZPS5070MMF	185.74	19.05	19.70	ZP5070MMF	170.39	22.23	16.90	88.90	247.65	69.85	330.20	123.83	127.00	19.00	34.93	103.20	38.10
	75.00	ZPS5075MMF			19.20	ZP5075MMF			16.50										
10	3 3/16	ZPS5303F	8 3/8	13/16	59.00	ZP5303F	8 1/8	15/16	52.00	4	11 1/2	3	15	5 5/16	5	3/4	1 1/2	4 29/32	1 1/2
	3 7/16	ZPS5307F			57.00	ZP5307F			51.00										

Continued...

Continued...

Bearing Dimensions

Size Code	Shaft Diameter	Expansion			Fixed			A Base to Centerline Height	B Distance Between Bolt Holes	G Bolt Hole Spacing (Width)	C	D	E	F	H	M	S		
		Part Number	L	P	Approx. Weight	Part Number	L											P	Approx. Weight
Four-Bolt Pillow Block (continued)																			
10	80.00	ZPS5080MMF			26.80	ZP5080MMF			23.50	101.60	292.10	76.20	381.00	134.94	127.00	19.00	38.10	124.62	38.10
	85.00	ZPS5085MMF	212.73	20.64	26.30	ZP5085MMF	206.38	23.81	23.00										
	90.00	ZPS5090MMF			25.80	ZP5090MMF			22.50										
11	3 11/16	ZPS5311F			98.00	ZP5311F			86.00	5	13 1/4	3 1/2	16 3/4	6 1/8	6	7/8	1 1/2	5 5/8	1 1/2
	3 15/16	ZPS5315F	10 1/4	29/32	96.00	ZP5315F	9 7/8	1 1/32	84.00										
	4	ZPS5400F			95.00	ZP5400F			83.00										
	100.00	ZPS5100MMF	260.35	23.01	43.50	ZP5100MMF	250.83	26.19	38.00										
12	4 3/16	ZPS5403YF			122.00	ZP5403YF			110.00	5 3/4	14 3/4	4	18 1/2	6 1/4	6 3/4	1	1 3/4	6 3/16	1 13/16
	4 7/16	ZPS5407YF	11 5/8	7/8	119.00	ZP5407YF	11 1/4	1 1/16	108.00										
	4 1/2	ZPS5408YF			118.00	ZP5408YF			107.00										
	110.00	ZPS5110MMF	295.28	22.23	54.00	ZP5110MMF	285.75	26.99	49.00										
	115.00	ZPS5115MMF			53.50	ZP5115MMF			48.50										
13	4 15/16	ZPS5415F			206.00	ZP5415F			171.00	6 1/8	16	4 1/4	20 1/4	7 7/8	7 1/2	1 1/8	1 7/8	7 1/16	2
	5	ZPS5500F	13 1/8	15/16	203.00	ZP5500F	12 1/2	1 5/32	168.00										
	125.00	ZPS5125MMF	333.38	23.81	93.00	ZP5125MMF	317.50	29.37	78.00										
14	130.00	ZPS5130MMF			77.00	ZP5130MMF			92.00	155.58	406.40	107.95	514.35	200.03	190.50	28.00	47.63	179.39	50.80
	5 7/16	ZPS5507F	14 3/8	1 3/32	226.00	ZP5507F	14	1 7/32	211.00										
14	140.00	ZPS5140MMF	365.13	27.76	102.00	ZP5140MMF	355.60	30.96	96.00	169.86	465.14	93.66	558.80	203.20	158.75	28.00	50.80	207.96	52.39
	5 15/16	ZPS5515F	15 3/32	1 1/16	274.00	ZP5515F	14 3/4	1 5/32	255.00										
15	6	ZPS5600F			273.00	ZP5600F			254.00	7 1/16	20 1/2	4 3/16	24 3/4	8 1/8	6 3/4	1 1/8	2 1/8	8 5/8	2 1/4
	150.00	ZPS5150MMF	383.39	26.99	124.00	ZP5150MMF	374.65	29.37	115.00										
	160.00	ZPS5160MMF			123.00	ZP5160MMF			114.00										
16	6 7/16	ZPS5607F			366.00	ZP5607F			339.00	7 7/8	23	4 7/16	28	8 3/4	7 1/2	1 1/4	2 3/8	9 23/32	2 5/16
	6 15/16	ZPS5615F	16 3/4	1 3/16	352.00	ZP5615F	16 5/16	1 9/32	328.00										
	7	ZPS5700F			348.00	ZP5700F			326.00										
	180.00	ZPS5180MMF	425.45	30.16	157.00	ZP5180MMF	414.34	32.54	148.00										

Additional Notes

Please call 1-866-REXNORD for availability
 Metric bore sizes available, see the Rex Interchangeability guide
 Lubrication fitting tap size: for size code 4 thru 11, 1/8" PT; for all other size codes, 1/4" PT
 Base to centerline tolerance, +/- .005 in (+/- 0.13 mm)
 Bore size = nominal shaft size +.001 in/- .000 in (+0.03mm/-0.00mm)
 Expansion - size code 4 thru 8 is 3/8", size code 9 thru 11 is 1/2" & size code 12 thru 16 is 3/4"

Seals - To specify K or M seal, replace "Z" in part number with "K" or "M"
 "K" seals only available in size codes 4 thru 11
 Auxiliary end caps - available in all sizes
 For the Selection Guide, Load Ratings and Speed Limits, see the Rex Spherical Roller Bearings Engineering section
 Note: Dimensions subject to change. Certified dimensions of ordered material furnished on request.

ZP6000, ZPS6000

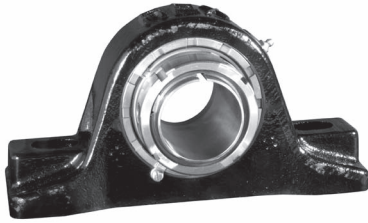
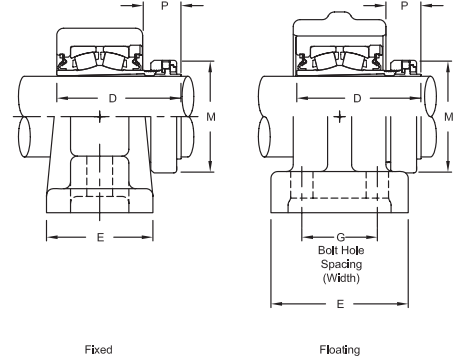
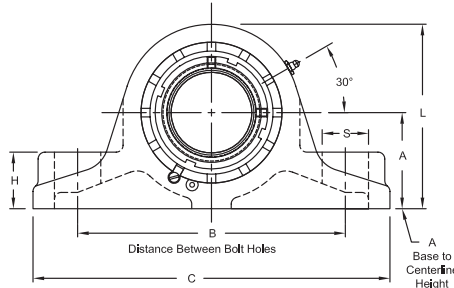


Photo Shows a 2-Bolt Spherical Roller Bearing Pillow Block Unit

Product Features

- Spyglass™ Optical Strain Sensor (OSS) Technology
- Positive locking system
- Tapered adapter sleeve
- Corrosion-resistant powder coating
- Cast iron housing
- Misalignment capabilities - total of 4°
- Broad range of sealing options
- Factory set clearance & lubrication
- Precision ground & superfinished raceways
- See Features & Benefits for additional info.



Bearing Dimensions

Size Code	Shaft Diameter	Expansion				Fixed				A Base to Centerline Height	B Distance Between Bolt Holes	G Bolt Hole Spacing (Width)	C	D	E	F	H	M	S														
		Part Number	L	P	Approx. Weight	Part Number	L	P	Approx. Weight																								
Two-Bolt Pillow Block																																	
4	1 7/16	ZPS6107	4 11/32	1 9/64	10.20	ZP6107	3 11/16	1 9/64	7.60 lb	2 1/8	5	-	8 1/8	3 21/64	2 7/16	1/2	1 1/8	2 25/64	1 1/8														
5	1 11/16	ZPS6111	4 13/16	1 9/32	15.10 lb	ZP6111	4 7/16	1 9/32	11.00 lb	2 5/16	5 1/2	-	9	3 47/64	2 13/16	1/2	1 5/16	2 41/64	1 1/4														
6	1 15/16	ZPS6115	4 15/16	1	16.10	ZP6115	4 3/4	1 1/8	13.40	2 1/2	7	-	9 3/4	3 41/64	2 7/8	5/8	1 7/16	2 55/64	1 1/4														
	45.00	ZPS6045MM	125.41	25.40	16.10	ZP6045MM	120.65	28.58	13.40	63.50	177.80	-	247.65	92.47	73.02	16.00	36.51	72.63	31.75														
7	2 3/16	ZPS6203	5 23/32	1 1/32	21.80	ZP6203	5 1/4	1 5/32	17.50	2 3/4	7 1/2	-	10 1/4	3 11/16	3 1/8	5/8	1 5/8	3 15/64	1 1/4														
	55.00	ZPS6055MM	145.24	26.19	9.80	ZP6055MM	133.35	29.37	7.60	69.85	190.50	-	260.35	93.66	79.38	16.00	41.28	82.15	31.75														
8	2 3/8	ZPS6206	6 3/16	1 19/64	25.90	ZP6206	5 3/4	1 27/64	22.20	3	8 1/4	-	11 1/4	4 1/16	3 3/8	3/4	1 3/4	3 19/32	1 3/8														
	60.00	ZPS6060MM			157.16	32.94			11.70											ZP6060MM	146.05	36.12	9.60	76.20	209.55	-	285.75	103.19	85.73	19.00	44.45	91.28	34.93
9	2 11/16	ZPS6211	7 3/16	1 17/64	43.40	ZP6211	6 23/32	1 25/64	35.20	3 1/2	9 3/4	-	13	4 17/32	3 7/8	7/8	2 1/16	4 3/32	1 5/8														
	2 3/4	ZPS6212			42.40	ZP6212			34.20																								
	2 15/16	ZPS6215			42.50	ZP6215			33.90																								
	70.00	ZPS6070MM			182.56	32.16			19.20											ZP6070MM	170.64	35.32	15.40	88.90	247.65	-	330.20	115.09	98.43	22.00	52.39	103.98	41.28
75.00	ZPS6075MM	18.70	ZP6075MM	15.00																													
Four-Bolt Pillow Block																																	
6	1 15/16	ZPS6115F	5 5/32	1	17.70	ZP6115F	5	1 1/8	15.80	2 1/2	7	2 1/4	9 3/4	3 41/64	4	5/8	1	2 55/64	1 1/4														
	45.00	ZPS6045MMF	130.96	25.40	17.70	ZP6045MMF	127.00	28.58	15.80	63.50	177.80	57.15	247.65	92.47	101.60	16.00	25.40	72.63	31.75														
7	2 3/16	ZPS6203F	5 23/32	1 1/32	22.10	ZP6203F	5 1/2	1 5/32	19.60	2 3/4	7 1/2	2 1/4	10 1/4	3 11/16	4 1/8	5/8	1	3 15/64	1 1/4														
	55.00	ZPS6055MMF	145.24	26.19	9.80	ZP6055MMF	39.70	29.37	8.50	69.85	190.50	57.15	260.35	93.66	104.78	16.00	25.40	82.15	31.75														
8	2 3/8	ZPS6206F	6 7/32	1 19/64	28.40	ZP6206F	6	1 27/64	25.40	3	8 1/4	2 5/8	11 1/4	4 1/16	4 1/2	5/8	1 1/8	3 19/32	1 1/4														
	60.00	ZPS6060MMF			157.94	32.94			12.40											ZP6060MMF	152.40	36.12	11.00	76.20	209.55	66.68	285.75	103.19	114.30	16.00	28.58	91.28	31.75
9	2 11/16	ZPS6211F	7 5/16	1 17/64	44.20	ZP6211F	7 1/16	1 25/64	38.20	3 1/2	9 3/4	2 3/4	13	4 17/32	5	3/4	1 3/8	4 3/32	1 1/2														
	2 3/4	ZPS6212F			42.50	ZP6212F			36.50																								
	2 15/16	ZPS6215F			43.40	ZP6215F			37.20																								
	70.00	ZPS6070MMF			185.74	32.16			19.70											ZP6070MMF	170.39	35.32	16.90	88.90	247.65	69.85	330.20	115.09	127.00	19.00	34.93	103.98	38.10
75.00	ZPS6075MMF	19.20	ZP6075MMF	16.50																													
10	3 3/16	ZPS6303F	8 3/8	1 15/32	59.00	ZP6303F	8 1/8	1 19/32	52.00	4	11 1/2	3	15	5 1/32	5	3/4	1 1/2	4 61/64	1 1/2														
	3 7/16	ZPS6307F			57.00	ZP6307F			51.00																								
	80.00	ZPS6080MMF			212.73	37.29			26.80											ZP6080MMF	206.38	40.48	23.50	101.60	292.10	76.20	381.00	127.79	127.00	19.00	38.10	125.81	38.10
	85.00	ZPS6085MMF			26.30	ZP6085MMF			23.00																								
11	3 11/16	ZPS6311F	10 1/4	1 39/64	98.00	ZP6311F	9 7/8	1 47/64	86.00	5	13 1/4	3 1/2	16 3/4	5 25/32	6	7/8	1 1/2	5 43/64	1 1/2														
	3 15/16	ZPS6315F			96.00	ZP6315F			84.00																								
	100.00	ZPS6100MMF			260.35	40.87			43.50											ZP6100MMF	250.83	44.05	38.00	127.00	336.55	88.90	425.45	146.84	152.40	22.00	38.10	144.07	336.55

Continued...

Continued...

Bearing Dimensions

Size Code	Shaft Diameter	Expansion				Fixed				A Base to Centerline Height	B Distance Between Bolt Holes	G Bolt Hole Spacing (Width)	C	D	E	F	H	M	S
		Part Number	L	P	Approx. Weight	Part Number	L	P	Approx. Weight										
Four-Bolt Pillow Block (continued)																			
12	4 ³ / ₁₆	ZPS6403YF	11 ⁵ / ₈	1 ³ / ₄	122.00	ZP6403YF	11 ¹ / ₄	1 ⁷ / ₈	110.00	5 ³ / ₄	14 ³ / ₄	4	18 ¹ / ₂	6 ¹ / ₄	6 ³ / ₄	1	1 ³ / ₄	6 ¹ / ₁₆	1 ¹³ / ₁₆
	4 ⁷ / ₁₆	ZPS6407YF			119.00	ZP6407YF			118.00										
	110.00	ZPS6110MMF	295.28	44.45	54.00	ZP6110MMF	285.75	47.63	49.00	146.05	374.65	101.60	469.90	158.75	171.45	25.00	44.45	153.99	46.04
13	4 ¹⁵ / ₁₆	ZPS6415F	13 ¹ / ₈	2 ¹ / ₆₄	206.00	ZP6415F	12 ¹ / ₂	2 ¹ / ₄	171.00	6 ¹ / ₈	16	4 ¹ / ₄	20 ¹ / ₄	7 ¹⁵ / ₁₆	7 ¹ / ₂	1 ¹ / ₈	1 ⁷ / ₈	6 ⁶¹ / ₆₄	2
	125.00	ZPS6125MMF	333.38	51.20	93.00	ZP6125MMF	317.50	57.15	78.00	155.58	406.40	107.95	514.35	201.61	190.50	28.00	47.63	176.61	50.80
14	5 ⁷ / ₁₆	ZPS6507F	14 ³ / ₈	2 ¹⁵ / ₁₆	226.00	ZP6507F	14	3 ³ / ₆₄	211.00	6 ¹¹ / ₁₆	18 ⁵ / ₁₆	3 ¹¹ / ₁₆	-	8 ⁴⁹ / ₆₄	6 ¹ / ₄	1 ¹ / ₈	2	8 ¹ / ₆₄	2 ¹ / ₁₆
15	5 ¹⁵ / ₁₆	ZPS6515F	15 ⁵ / ₃₂	3 ²³ / ₆₄	274.00	ZP6515F	14 ³ / ₄	3 ⁷ / ₁₆	255.00	7 ¹ / ₁₆	20 ¹ / ₂	4 ³ / ₁₆	-	9 ¹⁹ / ₆₄	6 ³ / ₄	1 ¹ / ₈	2 ¹ / ₈	8 ²¹ / ₃₂	2 ¹ / ₄
16	6 ⁷ / ₁₆	ZPS6607F	16 ³ / ₄	3 ³⁷ / ₆₄	366.00	ZP6607F	16 ⁵ / ₁₆	3 ⁴³ / ₆₄	339.00	7 ⁷ / ₈	23	4 ⁷ / ₁₆	-	10	7 ¹ / ₂	1 ¹ / ₄	2 ³ / ₈	9 ³ / ₄	2 ⁵ / ₁₆
	6 ¹⁵ / ₁₆	ZPS6615F			352.00	ZP6615F			328.00										

Additional Notes

Please call 1-866-REXNORD for availability
 Metric bore sizes available, see the Rex Interchangeability guide
 Lubrication fitting tap size: for size code 6 thru 11, 1/8" PT: for all other size codes, 1/4" PT
 Base to centerline tolerance, +/-0.005 in (+/-0.13 mm)
 Expansion - size code 6 thru 8 is 3/8", size code 9 thru 11 is 1/2" & size code 12 thru 13 is 3/4"
 Seals - To specify K or M seal, replace "Z" in part number with "K" or "M"

"K" seals only available in size codes 6 thru 11
 Auxiliary end caps - available in all sizes
 For the Selection Guide, Load Ratings and Speed Limits, see the Rex Spherical Roller Bearings Engineering section
 Note: Dimensions subject to change. Certified dimensions of ordered material furnished on request.

ZP9000, ZPS9000

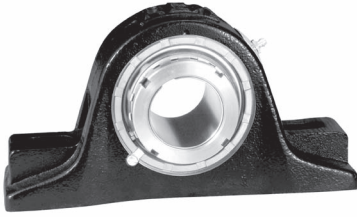
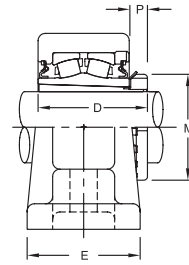
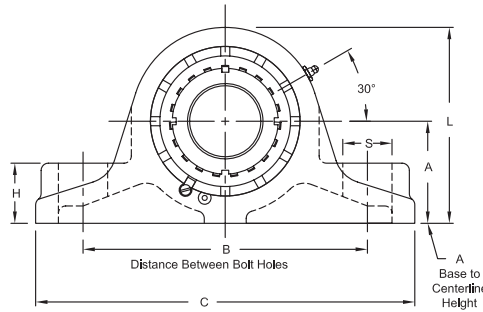


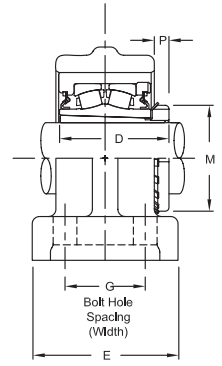
Photo Shows a 2-Bolt Spherical Roller Bearing Pillow Block Unit

Product Features

- Corrosion-resistant powder coating
- Cast iron housing
- Misalignment capabilities - total of 4°
- Broad range of sealing options
- Factory set clearance & lubrication
- Precision ground & superfinished raceways
- Enhanced life mounting style
- Field interchangeable seals
- Fixed or Expansion - Up to 3/4" expansion
- See Features & Benefits for additional info.



Fixed



Floating

Bearing Dimensions

Size Code	Shaft Diameter	Expansion				Fixed				A Base to Centerline Height	B Distance Between Bolt Holes	G Bolt Hole Spacing (Width)	C	D	E	F Bolts	H	M	S											
		Part Number	L	P	Approx. Weight	Part Number	L	P	Approx. Weight																					
Two-Bolt Pillow Block																														
7	1 15/16	ZPS9115	5 23/32	1/2	20.50	ZP9115	5 1/4	19/32	16.00	2 3/4	7 1/2	-	10 1/4	3 5/32	3 1/8	5/8	1 5/8	2 31/32	1 1/4											
	2	ZPS9200			20.30	ZP9200			15.90											7.00	69.85	190.50	260.35	80.17	79.38	16.00	41.28	75.40	31.75	
	45.00	ZPS9045MMF			145.24	12.70			9.30											ZP9045MMF	133.35	15.08	7.00	69.85	190.50	-	260.35	80.17	79.38	16.00
8	2 3/16	ZPS9203	6 3/16	19/32	24.80	ZP9203	5 3/4	23/32	20.10	3	8 1/4	-	11 1/4	3 11/32	3 3/8	3/4	1 3/4	3 3/8	1 3/8											
	55.00	ZPS9055MMF			157.16	15.09			11.20											ZP9055MMF	146.05	18.26	9.10	76.20	209.55	-	285.75	84.93	85.73	19.00
9	2 7/16	ZPS9207	7 3/16	19/32	40.60	ZP9207	6 23/32	5/8	32.20	3 1/2	9 3/4	-	13	3 3/4	3 7/8	7/8	2 1/16	3 5/8	1 5/8											
	2 1/2	ZPS9208			40.50	ZP9208			31.90											3 1/2	9 3/4	-	13	3 3/4	3 7/8	7/8	2 1/16	3 5/8	1 5/8	
Four-Bolt Pillow Block																														
7	1 15/16	ZPS9115F	5 23/32	1/2	20.50	ZP9115F	5 1/2	19/32	18.10	2 3/4	7 1/2	2 1/4	10 1/4	3 5/32	4 1/8	5/8	1	2 31/32	1 1/4											
	2	ZPS9200F			20.30	ZP9200F			17.90											8.20	69.85	190.50	57.15	260.35	80.17	104.78	16.00	25.40	75.40	31.75
	45.00	ZPS9045MMMF			145.24	12.70			9.30											ZP9045MMMF	39.70	15.08	8.20	69.85	190.50	57.15	260.35	80.17	104.78	16.00
8	2 3/16	ZPS9203F	6 7/32	19/32	26.70	ZP9203F	6	23/32	22.80	3	8 1/4	2 5/8	11 1/4	3 11/32	4 1/2	5/8	1 1/8	3 3/8	1 1/4											
	55.00	ZPS9055MMMF			157.94	15.09			12.10											ZP9055MMMF	152.40	18.26	10.30	76.20	209.55	66.68	285.75	84.93	114.30	16.00
9	2 7/16	ZPS9207F	7 5/16	19/32	41.80	ZP9207F	7 1/16	5/8	35.40	3 1/2	9 3/4	2 3/4	13	3 3/4	5	3/4	1 3/8	3 5/8	1 1/2											
	2 1/2	ZPS9208F			41.70	ZP9208F			34.60											3 1/2	9 3/4	2 3/4	13	3 3/4	5	3/4	1 3/8	3 5/8	1 1/2	
10	2 11/16	ZPS9211F	8 3/8	11/16	56.00	ZP9211F	8 1/8	13/16	51.20	4	11 1/2	3	15	4 1/4	5	3/4	1 1/2	4 13/32	1 1/2											
	2 15/16	ZPS9215F			55.00	ZP9215F			50.00											4	11 1/2	3	15	4 1/4	5	3/4	1 1/2	4 13/32	1 1/2	
	75.00	ZPS9075MMMF			212.73	17.47			25.00											ZP9075MMMF	206.38	20.64	23.00	101.60	292.10	76.20	381.00	107.95	127.00	19.00
11	3 3/16	ZPS9303F	10 1/4	13/16	95.00	ZP9303F	9 7/8	15/16	83.00	5	13 1/4	3 1/2	16 3/4	5	6	7/8	1 1/2	5 3/16	1 1/2											
	3 7/16	ZPS9307F			93.00	ZP9307F			81.00											5	13 1/4	3 1/2	16 3/4	5	6	7/8	1 1/2	5 3/16	1 1/2	
	80.00	ZPS9080MMMF			260.35	20.64			42.00											ZP9080MMMF	250.83	23.81	36.70	127.00	336.55	88.90	425.45	127.00	152.40	22.00
12	3 11/16	ZPS9311YF	11 5/8	29/32	121.00	ZP9311YF	11 1/4	1 1/32	110.00	5 3/4	14 3/4	4	18 1/2	5 17/32	6 3/4	1	1 3/4	5 23/32	1 13/16											
	3 15/16	ZPS9315YF			119.00	ZP9315YF			108.00											5 3/4	14 3/4	4	18 1/2	5 17/32	6 3/4	1	1 3/4	5 23/32	1 13/16	
	100.00	ZPS9100MMMF			295.28	23.01			53.00											ZP9100MMMF	285.75	23.01	49.00	146.05	374.65	101.60	469.90	140.49	171.45	25.00
13	4 3/16	ZPS9403F	13 1/8	29/32	204.00	ZP9403F	12 1/2	1 1/8	174.00	6 1/8	16	4 1/4	20 1/4	6 3/4	7 1/2	1 1/8	1 7/8	6 1/8	2											
	4 7/16	ZPS9407F			202.00	ZP9407F			168.00											6 1/8	16	4 1/4	20 1/4	6 3/4	7 1/2	1 1/8	1 7/8	6 1/8	2	
14	4 15/16	ZPS9415F	14 3/8	1 5/32	222.00	ZP9415F	14	1 1/8	202.00	6 11/16	18 5/16	3 11/16	22	7 1/16	6 1/4	1 1/8	2	7 3/32	2 1/16											
	5	ZPS9500F			220.00	ZP9500F			201.00											6 11/16	18 5/16	3 11/16	22	7 1/16	6 1/4	1 1/8	2	7 3/32	2 1/16	
15	5 3/16	ZPS9503F	15 3/32	1 3/8	273.00	ZP9503F	14 3/4	1 5/16	254.00	7 1/16	20 1/2	4 3/16	24 3/4	7 5/16	6 3/4	1 1/8	2 1/8	8 1/16	2 1/16											
	5 7/16	ZPS9507F			269.00	ZP9507F			250.00											7 1/16	20 1/2	4 3/16	24 3/4	7 5/16	6 3/4	1 1/8	2 1/8	8 1/16	2 1/16	
16	5 15/16	ZPS9515F	16 3/4	1 3/4	350.00	ZP9515F	16 5/16	1 11/16	328.00	7 7/8	23	4 7/16	28	7 3/4	7 1/2	1 1/4	2 3/8	9 1/16	2 5/16											
	6	ZPS9600F			349.00	ZP9600F			327.00											7 7/8	23	4 7/16	28	7 3/4	7 1/2	1 1/4	2 3/8	9 1/16	2 5/16	
	6 7/16	ZPS9607F			342.00	ZP9607F			320.00											7 7/8	23	4 7/16	28	7 3/4	7 1/2	1 1/4	2 3/8	9 1/16	2 5/16	

Additional Notes

- Please call 1-866-REXNORD for availability
- Lubrication fitting tap size: for size code 7 thru 11, 1/8" PT: for all other size codes, 1/4" PT
- Base to centerline tolerance, +/- .005 in (+/- 0.13 mm)
- Expansion - size code 7 thru 8 is 3/8", size code 9 thru 11 is 1/2" & size code 12 thru 16 is 3/4"
- Seals - To specify K or M seal, replace "Z" in part number with "K" or "M"
- "K" seals only available in size codes 7 thru 11

- Auxiliary end caps - available in all sizes
- For the Selection Guide, Load Ratings and Speed Limits, see the Rex Spherical Roller Bearings Engineering section
- Note: Dimensions subject to change. Certified dimensions of ordered material furnished on request.

ZEP2000, ZEPS2000

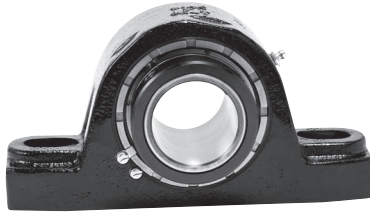
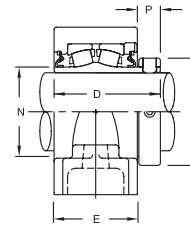
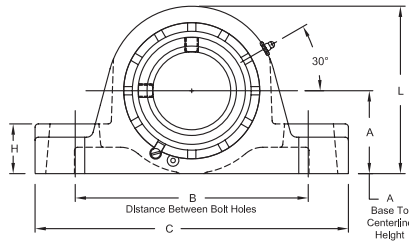


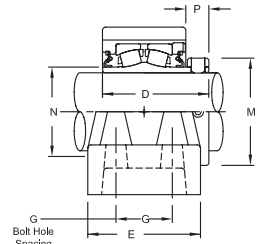
Photo Shows a 2-Bolt Spherical Roller Bearing Pillow Block Unit

Product Features

- Corrosion-resistant powder coating
- Cast iron housing
- Misalignment capabilities - total of 4°
- Broad range of sealing options
- Factory set clearance & lubrication
- Precision ground & superfinished raceways
- Hardened spring locking collar
- Field interchangeable seals
- See Features & Benefits for additional info.



Fixed



Expansion

Bearing Dimensions

Size Code	Shaft Diameter	Expansion		Fixed		A Base To Centerline Height	B Distance Between Bolt Holes		G Bolt Hole Spacing (Width)	C	D	E	F Bolts	H	L	M	N	P	Approx. Weight
		Part Number	Part Number	Min.	Max.														
Two-Bolt Pillow Block																			
3	1 1/8	-	ZEP2102	1 1/2	4 7/16	5	-	6 3/8	2 11/16	2 1/8	1/2	7/8	3 1/4	1 31/32	1 17/32	9/16			5.80
	1 3/16	-	ZEP2103																5.70
	1 1/4	-	ZEP2104																5.70
	30.00	-	ZEP2030MM	38.10	112.71	127.00	-	161.93	68.26	53.98	13.00	22.23	82.55	50.00	38.890	14.29	2.60		
4	1 7/16	ZEPS2107	ZEP2107	1 7/8	4 3/4	6	-	7 3/8	2 7/8	2 1/4	1/2	1 1/8	3 7/8	2 5/16	1 3/4	11/16			6.90
	1 1/2	-	ZEP2108	2 1/8	5 1/4	6 1/2		7 7/8				4 3/8	9.50						
	35.00	ZEPS2035MM	ZEP2035MM	47.63	120.65	152.40		-				187.33	73.02						57.15
5	1 11/16	ZEPS2111	ZEP2111	2 1/8	5 1/4	6 1/2	-	7 7/8	3 1/8	2 1/2	1/2	1 1/4	4 3/8	2 19/32	2 1/32	11/16			9.90
	1 3/4	-	ZEP2112	2 1/4	6 1/16	7 1/4		8 7/8				4 9/16	11.80						
	40.00	ZEPS2040MM	ZEP2040MM	53.98	133.35	165.10		-				200.03	79.38						63.50
	45.00	ZEPS2045MM	ZEP2045MM	57.15	153.99	184.15	-	225.43	79.38	63.50	16.00	33.34	115.89	65.88	51.590	17.46	5.40		
6	1 15/16	ZEPS2115	ZEP2115	2 1/4	6 1/16	7 1/4	-	8 7/8	3 1/8	2 1/2	5/8	1 5/16	4 9/16	2 7/8	2 5/16	11/16			11.50
	2	ZEPS2200	ZEP2200																11.40
	50.00	ZEPS2050MM	ZEP2050MM																57.15
7	2 3/16	ZEPS2203	ZEP2203	2 1/2	6 9/16	8	-	9 5/8	3 5/16	2 9/16	5/8	1 1/2	5	3 1/4	2 5/8	13/16	7/8		14.80
	2 1/4	-	ZEP2204	2 3/4	6 15/16	8 3/4		10 1/2				5 7/16	18.60						
	55.00	ZEPS2055MM	ZEP2055MM	63.50	166.69	203.20		-				244.48	84.14						65.09
8	2 3/8	ZEPS2206	ZEP2206	2 3/4	6 15/16	8 3/4	-	10 1/2	3 1/2	2 11/16	5/8	1 5/8	5 1/2	3 9/16	2 29/32	7/8			18.30
	2 7/16	ZEPS2207	ZEP2207																18.20
	2 1/2	ZEPS2208	ZEP2208																17.90
	60.00	ZEPS2060MM	ZEP2060MM	69.85	176.21	222.25	-	266.70	88.90	68.26	16.00	41.28	139.70	90.50	73.820	22.23	8.30		
	65.00	ZEPS2065MM	ZEP2065MM	69.85	176.21	222.25	-	266.70	88.90	68.26	16.00	41.28	139.70	90.50	73.820	22.23	8.10		
9	2 11/16	ZEPS2211	ZEP2211	3 1/8	7 13/16	9 3/4	-	11 13/16	4	3 3/16	3/4	1 7/8	6 5/16	4 1/16	3 3/8	7/8			29.30
	2 3/4	ZEPS2212	ZEP2212																28.80
	2 15/16	ZEPS2215	ZEP2215																27.70
	3	ZEPS2300	ZEP2300	27.50															
	70.00	ZEPS2070MM	ZEP2070MM	79.38	198.44	247.65	-	300.04	101.60	80.96	19.00	47.63	160.34	103.20	85.730	22.23	13.00		
	75.00	ZEPS2075MM	ZEP2075MM	79.38	198.44	247.65	-	300.04	101.60	80.96	19.00	47.63	160.34	103.20	85.730	22.23	12.60		
10	3 3/16	ZEPS2303	ZEP2303	3 3/4	9 5/16	11 5/16	-	13 13/16	4 3/8	3 1/2	7/8	2 1/4	7 1/2	4 29/32	3 31/32	15/16			44.50
	3 7/16	ZEPS2307	ZEP2307																42.50
	3 1/2	ZEPS2308	ZEP2308																42.00
	80.00	ZEPS2080MM	ZEP2080MM	95.25	236.54	287.34	-	350.84	111.13	88.90	22.00	57.15	190.50	124.62	100.790	23.81	20.40		
	85.00	ZEPS2085MM	ZEP2085MM	95.25	236.54	287.34	-	350.84	111.13	88.90	22.00	57.15	190.50	124.62	100.790	23.81	19.40		
	90.00	ZEPS2090MM	ZEP2090MM	95.25	236.54	287.34	-	350.84	111.13	88.90	22.00	57.15	190.50	124.62	100.790	23.81	18.90		

Continued...

Continued...

Bearing Dimensions

Size Code	Shaft Diameter	Expansion		Fixed		A Base to Centerline Height	B Distance Between Bolt Holes		G Bolt Hole Spacing (Width)	C	D	E	F Bolts	H	L	M	N	P	Approx. Weight
		Part Number	Part Number	Min.	Max.														
Four-Bolt Pillow Block																			
8	2 ³ / ₈	ZEPS2206F	ZEP2206F	2 ³ / ₄	6 ¹⁵ / ₁₆	8 ³ / ₄	1 ⁷ / ₈	10 ¹ / ₂	3 ¹ / ₂	3 ⁵ / ₈	5/8	1 ⁵ / ₈	5 ¹ / ₂	3 ⁹ / ₁₆	2 ²⁹ / ₃₂	7/8			18.40
	2 ⁷ / ₁₆	ZEPS2207F	ZEP2207F																18.30
	2 ¹ / ₂	ZEPS2208F	ZEP2208F																18.00
	60.00	<i>ZEPS2060MMF</i>	<i>ZEP2060MMF</i>																69.85
	65.00	<i>ZEPS2065MMF</i>	<i>ZEP2065MMF</i>																8.20
9	2 ¹¹ / ₁₆	ZEPS2211F	ZEP2211F	3 ¹ / ₈	7 ¹³ / ₁₆	9 ⁷ / ₈	2 ¹ / ₈	11 ¹³ / ₁₆	4	4 ¹ / ₄	5/8	1 ⁷ / ₈	6 ⁵ / ₁₆	4 ¹ / ₁₆	3 ³ / ₈	7/8			28.50
	2 ³ / ₄	ZEPS2212F	ZEP2212F																28.30
	2 ¹⁵ / ₁₆	ZEPS2215F	ZEP2215F																27.30
	3	ZEPS2300F	ZEP2300F																27.00
	70.00	<i>ZEPS2070MMF</i>	<i>ZEP2070MMF</i>	79.38	198.44	250.83	53.98	300.04	101.60	107.95	16.00	47.63	160.34	103.20	85.730	22.23	12.90		
	75.00	<i>ZEPS2075MMF</i>	<i>ZEP2075MMF</i>																12.50
10	3 ³ / ₁₆	ZEPS2303F	ZEP2303F	3 ³ / ₄	9 ⁵ / ₁₆	11 ⁵ / ₁₆	2 ³ / ₈	13 ¹³ / ₁₆	4 ³ / ₈	4 ³ / ₄	3/4	2 ¹ / ₄	7 ¹ / ₂	4 ²⁹ / ₃₂	3 ³¹ / ₃₂	15/16			45.00
	3 ⁷ / ₁₆	ZEPS2307F	ZEP2307F																43.00
	3 ¹ / ₂	ZEPS2308F	ZEP2308F																42.50
	80.00	<i>ZEPS2080MMF</i>	<i>ZEP2080MMF</i>																95.25
	85.00	<i>ZEPS2085MMF</i>	<i>ZEP2085MMF</i>																19.50
	90.00	<i>ZEPS2090MMF</i>	<i>ZEP2090MMF</i>																19.00
11	3 ¹¹ / ₁₆	ZEPS2311F	ZEP2311F	4 ¹ / ₄	12	13	2 ¹ / ₄	15 ¹ / ₄	5 ¹ / ₁₆	4 ¹ / ₂	3/4	2 ⁵ / ₈	8 ⁵ / ₈	5 ⁵ / ₈	4 ⁹ / ₁₆	1 ¹ / ₃₂			63.00
	3 ¹⁵ / ₁₆	ZEPS2315F	ZEP2315F																61.00
	4	ZEPS2400F	ZEP2400F																60.00
	100.00	<i>ZEPS2100MMF</i>	<i>ZEP2100MMF</i>																107.95

Additional Notes

Please call 1-866-REXNORD for availability
 Metric bore sizes available, see the Rex Interchangeability guide
 Lubrication fitting tap size, 1/8" PT
 Base to centerline tolerance, +/- .005 in (+/- 0.13 mm)
 Bore size = nominal shaft size + .001 in / -.000 in (+0.03mm/-0.00mm)
 Seals - To specify K or M seal, replace "Z" in part number with "K" or "M"
 Auxiliary end caps - available in all size codes except for size code 3 and all expansion units

For the Selection Guide, Load Ratings and Speed Limits, see the Rex Spherical Roller Bearings Engineering section
 Note: Dimensions subject to change. Certified dimensions of ordered material furnished on request.

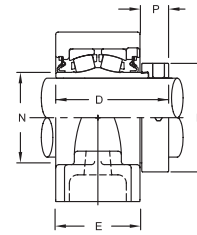
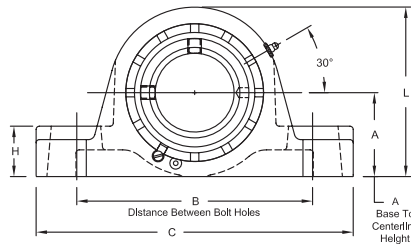
ZEP3000, ZEPS3000



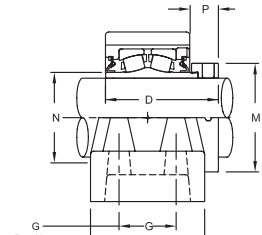
Photo Shows a 2-Bolt Spherical Roller Bearing Pillow Block Unit

Product Features

- Corrosion-resistant powder coating
- Cast iron housing
- Misalignment capabilities - total of 4°
- Broad range of sealing options
- Factory set clearance & lubrication
- Precision ground & superfinished raceways
- Eccentric locking collar
- Field interchangeable seals
- See Features & Benefits for additional info.



Fixed



Expansion

Bearing Dimensions

Size Code	Shaft Diameter	Expansion		Fixed		A Base to Centerline Height	B Min. Distance Between Bolt Holes	B Max. Distance Between Bolt Holes	G Bolt Hole Spacing (Width)	C	D	E	F Bolts	H	L	M	N	P	Approx. Weight
		Part Number	Part Number																
Two-Bolt Pillow Block																			
4	1 7/16	ZEPS3107	ZEP3107	1 7/8	4 3/4	6	-	7 3/8	2 59/64	2 1/4	1/2	1 1/8	3 7/8	2 5/16	1 3/4	25/32			7.10
5	1 11/16	ZEPS3111	ZEP3111	2 1/8	5 1/4	6 1/2	-	7 7/8	3 3/16	2 1/2	1/2	1 1/4	4 3/8	2 5/8	2 1/32	3/4			10.10
6	1 15/16	ZEPS3115	ZEP3115	2 1/4	6 1/16	7 1/4	-	8 7/8	3 9/32	2 1/2	5/8	1 5/16	4 9/16	2 3/4	2 5/16	27/32			11.70
7	2 3/16	ZEPS3203	ZEP3203	2 1/2	6 9/16	8	-	9 5/8	3 1/2	2 9/16	5/8	1 1/2	5	3 1/4	2 5/8	31/32			15.10
8	2 7/16	ZEPS3207	ZEP3207	2 3/4	6 15/16	8 3/4	-	10 1/2	3 21/32	2 11/16	5/8	1 5/8	5 1/2	3 9/16	2 29/32	1 1/64			18.40
		2 1/2	ZEPS3208																ZEP3208
9	2 11/16	ZEPS3211	ZEP3211	3 1/8	7 13/16	9 3/4	-	11 13/16	4 13/64	3 3/16	3/4	1 7/8	6 5/16	4 1/16	3 3/8	1 1/64			29.50
		2 15/16	ZEPS3215																ZEP3215
10	3 7/16	ZEPS3307	ZEP3307	3 3/4	9 5/16	11 5/16	-	13 13/16	4 37/64	3 1/2	7/8	2 1/4	7 1/2	4 15/16	3 31/32	1 9/64			43.10
		3 1/2	ZEPS3308																ZEP3308
Four-Bolt Pillow Block																			
8	2 7/16	ZEPS3207F	ZEP3207F	2 3/4	6 15/16	8 3/4	1 7/8	10 1/2	3 21/32	3 5/8	5/8	1 5/8	5 1/2	3 9/16	2 29/32	1 1/64			18.50
		2 1/2	ZEPS3208F																ZEP3208F
9	2 11/16	ZEPS3211F	ZEP3211F	3 1/8	7 13/16	9 7/8	2 1/8	11 13/16	4 13/64	4 1/4	5/8	1 7/8	6 5/16	4 1/16	3 3/8	1 1/64			28.70
		2 15/16	ZEPS3215F																ZEP3215F
10	3 7/16	ZEPS3307F	ZEP3307F	3 3/4	9 5/16	11 5/16	2 3/8	13 13/16	4 37/64	4 3/4	3/4	2 1/4	7 1/2	4 15/16	3 31/32	1 9/64			43.60
		3 1/2	ZEPS3308F																ZEP3308F
11	3 15/16	ZEPS3315F	ZEP3315F	4 1/4	12	13	2 1/4	15 1/4	5 3/16	4 1/2	3/4	2 5/8	8 5/8	5 5/8	4 9/16	1 1/16			61.00

Additional Notes

- Please call 1-866-REXNORD for availability
- Lubrication fitting tap size, 1/8" PT
- Base to centerline tolerance, +/- .005 in (+/- 0.13 mm)
- Bore size = nominal shaft size +.001 in/- .000 in (+0.03mm/-0.00mm)
- Seals - To specify K or M seal, replace "Z" in part number with "K" or "M"
- Auxiliary end caps - available in all size codes, except expansion units
- For the Selection Guide, Load Ratings and Speed Limits, see the Rex Spherical Roller Bearings Engineering section

Note: Dimensions subject to change. Certified dimensions of ordered material furnished on request.

ZEP5000, ZEPS5000

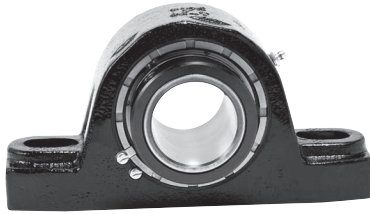
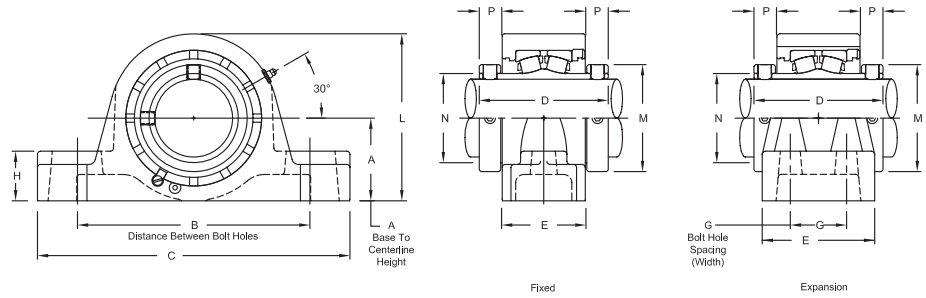


Photo Shows a 2-Bolt Spherical Roller Bearing Pillow Block Unit

Product Features

- Corrosion-resistant powder coating
- Cast iron housing
- Misalignment capabilities - total of 4°
- Broad range of sealing options
- Factory set clearance & lubrication
- Precision ground & superfinished raceways
- Two hardened spring locking collars
- Field interchangeable seals
- See Features & Benefits for additional info.



Bearing Dimensions

Size Code	Shaft Diameter	Expansion		Fixed		A Base to Centerline Height	B Distance Between Bolt Holes		G Bolt Hole Spacing (Width)	C	D	E	F Bolts	H	L	M	N	P	Approx. Weight
		Part Number	Part Number	Min.	Max.														
Two-Bolt Pillow Block																			
4	1 7/16	ZEPS5107	ZEP5107	1 7/8	4 3/4	6	-	7 3/8	3 9/16	2 1/4	1 1/2	1 1/8	3 7/8	2 5/16	1 3/4	1 1/16	7.40		
	35.00	ZEPS5035MM	ZEP5035MM	47.63	120.65	152.40	-	187.33	90.49	57.15	13.00	28.58	98.43	58.74	44.450	17.46	3.40		
5	1 1/2	ZEPS5108	ZEP5108	2 1/8	5 1/4	6 1/2	-	7 7/8	3 13/16	2 1/2	1 1/2	1 1/4	4 3/8	2 19/32	2 1/32	1 1/16	10.90		
	1 11/16	ZEPS5111	ZEP5111	53.98	133.35	165.10	-	200.03	96.84	63.50	13.00	31.75	111.13	65.88	51.590	17.46	4.90		
	40.00	ZEPS5040MM	ZEP5040MM																
45.00	ZEPS5045MM	ZEP5045MM																	
6	1 15/16	ZEPS5115	ZEP5115	2 1/4	6 1/16	7 1/4	-	8 7/8	3 13/16	2 1/2	5/8	1 5/16	4 9/16	2 7/8	2 5/16	1 1/16	12.10		
	2	ZEPS8200	ZEP8200	57.15	153.99	184.15	-	225.43	96.84	63.50	16.00	33.34	115.89	73.03	58.740	17.46	5.50		
7	2	ZEPS5200	ZEP5200	2 1/2	6 9/16	8	-	9 5/8	4 1/8	2 9/16	5/8	1 1/2	5	3 1/4	2 5/8	1 3/16	16.50		
	2 3/16	ZEPS5203	ZEP5203																
	55.00	ZEPS5055MM	ZEP5055MM	63.50	166.69	203.20	-	244.48	104.78	65.09	16.00	38.10	127.00	82.60	66.680	20.64	7.20		
8	2 7/16	ZEPS5207	ZEP5207	2 3/4	6 15/16	8 3/4	-	10 1/2	4 3/8	2 11/16	5/8	1 5/8	5 1/2	3 9/16	2 29/32	7/8	19.30		
	60.00	ZEPS5060MM	ZEP5060MM	69.85	176.21	222.25	-	266.70	111.13	68.26	16.00	41.28	139.70	90.50	73.820	22.23	8.70		
9	65.00	ZEPS5065MM	ZEP5065MM	3 1/8	7 13/16	9 3/4	-	11 13/16	4 7/8	3 3/16	3/4	1 7/8	6 5/16	4 1/16	3 3/8	7/8	31.50		
	2 1/2	ZEPS5208	ZEP5208																
	2 11/16	ZEPS5211	ZEP5211																
	2 3/4	ZEPS5212	ZEP5212																
	2 15/16	ZEPS5215	ZEP5215																
70.00	ZEPS5070MM	ZEP5070MM	79.38	198.44	247.65	-	300.04	123.83	80.96	19.00	47.63	160.34	103.20	85.730	22.23	13.70			
75.00	ZEPS5075MM	ZEP5075MM															13.50		
10	3 3/16	ZEPS5303	ZEP5303	3 3/4	9 5/16	11 5/16	-	13 13/16	5 5/16	3 1/2	7/8	2 1/4	7 1/2	4 29/32	3 31/32	1 5/16	47.10		
	3 7/16	ZEPS5307	ZEP5307																
	80.00	ZEPS5080MM	ZEP5080MM	95.25	236.54	287.34	-	350.84	134.94	88.90	22.00	57.15	190.50	124.62	100.790	23.81	21.30		
	85.00	ZEPS5085MM	ZEP5085MM														20.30		
90.00	ZEPS5090MM	ZEP5090MM															20.00		
Four-Bolt Pillow Block																			
8	2 7/16	ZEPS5207F	ZEP5207F	2 3/4	6 15/16	8 3/4	1 7/8	10 1/2	4 3/8	3 5/8	5/8	1 5/8	5 1/2	3 9/16	2 29/32	7/8	19.40		
	60.00	ZEPS5060MMF	ZEP5060MMF	69.85	176.21	222.25	47.63	266.70	111.13	92.08	16.00	41.28	139.70	90.50	73.820	22.23	8.80		
	65.00	ZEPS5065MMF	ZEP5065MMF																
9	2 1/2	ZEPS5208F	ZEP5208F	3 1/8	7 13/16	9 7/8	2 1/8	11 13/16	4 7/8	4 1/4	5/8	1 7/8	6 5/16	4 1/16	3 3/8	7/8	31.00		
	2 11/16	ZEPS5211F	ZEP5211F																
	2 3/4	ZEPS5212F	ZEP5212F																
																	30.00		
																		29.80	

Continued...

Continued...

Bearing Dimensions

Size Code	Shaft Diameter	Expansion		Fixed		A Base to Centerline Height	B Distance Between Bolt Holes		G Bolt Hole Spacing (Width)	C	D	E	F Bolts	H	L	M	N	P	Approx. Weight
		Part Number	Part Number	Min.	Max.														
Four-Bolt Pillow Block (continued)																			
9	2 ¹⁵ / ₁₆	ZEPS5215F	ZEP5215F	3 ¹ / ₈	7 ¹³ / ₁₆	9 ⁷ / ₈	2 ¹ / ₈	11 ¹³ / ₁₆	4 ⁷ / ₈	4 ¹ / ₄	⁵ / ₈	1 ⁷ / ₈	6 ⁵ / ₁₆	4 ¹ / ₁₆	3 ³ / ₈	⁷ / ₈			29.70
	70.00	ZEPS5070MMF	ZEP5070MMF	79.38	198.44	250.83	53.98	300.04	123.83	107.95	16.00	47.63	160.34	103.20	85.730	22.23			13.40
	75.00	ZEPS5075MMF	ZEP5075MMF																13.20
10	3 ³ / ₁₆	ZEPS5303F	ZEP5303F	3 ³ / ₄	9 ⁵ / ₁₆	11 ⁵ / ₁₆	2 ³ / ₈	13 ¹³ / ₁₆	5 ⁵ / ₁₆	4 ³ / ₄	³ / ₄	2 ¹ / ₄	7 ¹ / ₂	4 ²⁹ / ₃₂	3 ³¹ / ₃₂	¹⁵ / ₁₆			47.60
	3 ⁷ / ₁₆	ZEPS5307F	ZEP5307F																45.20
	80.00	ZEPS5080MMF	ZEP5080MMF	95.25	236.54	287.34	60.33	350.84	134.94	120.65	19.00	57.15	190.50	124.62	100.790	23.81			21.60
	85.00	ZEPS5085MMF	ZEP5085MMF																20.50
	90.00	ZEPS5090MMF	ZEP5090MMF																
11	3 ¹¹ / ₁₆	ZEPS5311F	ZEP5311F	4 ¹ / ₄	12	13	2 ¹ / ₄	15 ¹ / ₄	6 ¹ / ₈	4 ¹ / ₂	³ / ₄	2 ⁵ / ₈	8 ⁵ / ₈	5 ⁵ / ₈	4 ⁹ / ₁₆	1 ¹ / ₃₂			65.50
	3 ¹⁵ / ₁₆	ZEPS5315F	ZEP5315F																64.80
	4	ZEPS5400F	ZEP5400F	107.95	304.80	330.20	57.15	387.35	155.58	114.30	19.00	66.68	219.08	142.90	115.890	26.19			63.50
	100.00	ZEPS5100MMF	ZEP5100MMF																30.00
12	4 ³ / ₁₆	ZEPS5403YF	ZEP5403YF	4 ³ / ₄	12 ⁷ / ₈	14 ¹ / ₈	2 ¹ / ₂	16 ¹ / ₂	6 ¹ / ₄	4 ⁵ / ₈	³ / ₄	2 ³ / ₄	9 ³ / ₈	6 ³ / ₁₆	5 ¹ / ₃₂	1 ¹ / ₁₆			81.00
	4 ⁷ / ₁₆	ZEPS5407YF	ZEP5407YF																78.00
	4 ¹ / ₂	ZEPS5408YF	ZEP5408YF	120.65	327.03	358.78	63.50	419.10	158.75	117.48	19.00	69.85	238.13	157.16	127.790	26.99			76.00
	110.00	ZEPS5110MMF	ZEP5110MMF																35.40
	115.00	ZEPS5115MMF	ZEP5115MMF																34.50
13	4 ¹⁵ / ₁₆	ZEPS5415F	ZEP5415F	5 ¹ / ₂	14 ⁷ / ₈	16 ¹ / ₈	2 ³ / ₄	18 ¹ / ₂	7 ⁷ / ₈	5 ⁹ / ₁₆	⁷ / ₈	3	11 ¹ / ₈	7 ¹ / ₁₆	5 ³ / ₄	1 ⁵ / ₃₂			150.00
	5	ZEPS5500F	ZEP5500F	139.70	377.83	409.58	69.85	469.90	200.03	141.29	22.00	76.20	282.58	179.39	146.050	29.37			147.00
	125.00	ZEPS5125MMF	ZEP5125MMF																68.00
	130.00	ZEPS5130MMF	ZEP5130MMF																66.70

Additional Notes

Please call 1-866-REXNORD for availability
 Metric bore sizes available, see the Rex Interchangeability guide
 Lubrication fitting tap size: for size code 4 thru 11, 1/8" PT; for all other size codes, 1/4" PT
 Base to centerline tolerance, +/- .005 in (+/- 0.13 mm)
 Bore size = nominal shaft size +.001 in/- .000 in (+0.03mm/-0.00mm)
 Seals - To specify K or M seal, replace "Z" in part number with "K" or "M"
 "K" seals only available in size codes 4 thru 11

Auxiliary end caps - available in all size codes, expect expansion units
 For the Selection Guide, Load Ratings and Speed Limits, see the Rex Spherical Roller Bearings Engineering section
 Note: Dimensions subject to change. Certified dimensions of ordered material furnished on request.

ZEP6000, ZEPS6000

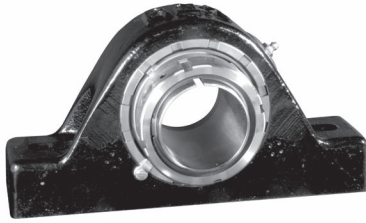
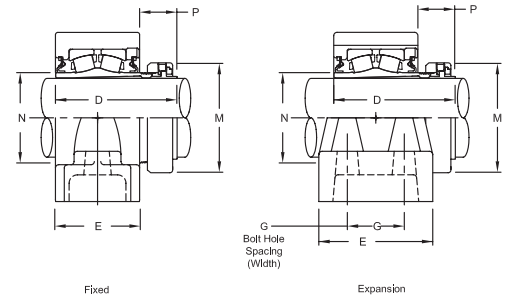
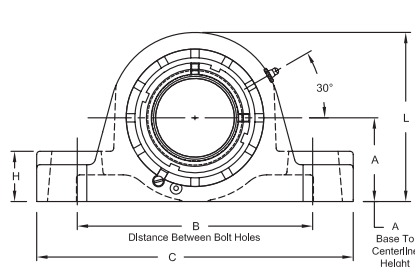


Photo Shows a 2-Bolt Spherical Roller Bearing Pillow Block Unit

Product Features

- Spyglass™ Optical Strain Sensor (OSS) Technology
- Positive locking system
- Tapered adapter sleeve
- Corrosion-resistant powder coating
- Cast iron housing
- Misalignment capabilities - total of 4°
- Broad range of sealing options
- Factory set clearance & lubrication
- Precision ground & superfinished raceways
- See Features & Benefits for additional info.



Bearing Dimensions

Size Code	Shaft Diameter	Expansion		Fixed		A Base to Centerline Height	B Distance Between Bolt Holes		G Bolt Hole Spacing (Width)	C	D	E	F Bolts	H	L	M	N	P	Approx. Weight
		Part Number	Part Number	Min.	Max.														
Two-Bolt Pillow Block																			
4	1 7/16	ZEPS6107	ZEP6107	1 7/8	4 3/4	6	-	7 3/8	3 21/64	2 1/4	1/2	1 1/8	3 7/8	2 25/64	1 3/4	1 9/64	6.90		
5	1 11/16	ZEPS6111	ZEP6111	2 1/8	5 1/4	6 1/4	-	7 7/8	3 47/64	2 1/2		1 1/4	4 3/8	2 41/64	2 1/32	1 9/32	10.50		
6	1 15/16	ZEPS6115	ZEP6115	2 1/4	6 1/16	7 1/4	-	8 7/8	3 41/64	5/8	1 5/16	4 9/16	2 55/64	2 5/16	1 1/8	12.10			
	45.00	ZEPS6045MM	ZEP6045MM	57.15	153.99	184.15	-	225.43	92.47		63.50	16.00	33.34	115.89	72.63	58.740	28.58	5.50	
7	2 3/16	ZEPS6203	ZEP6203	2 1/2	6 9/16	8	-	9 5/8	3 11/16	2 9/16	5/8	1 1/2	5	3 15/64	2 5/8	1 5/32	16.50		
	55.00	ZEPS6055MM	ZEP6055MM	63.50	166.69	203.20	-	244.48	93.66	65.09	16.00	38.10	127.00	82.15	66.680	29.37	7.20		
8	2 3/8	ZEPS6206	ZEP6206	2 3/4	6 15/16	8 3/4	-	10 1/2	4 1/16	2 11/16	5/8	1 5/8	5 1/2	3 19/32	2 29/32	1 27/64	19.30		
	2 7/16	ZEPS6207	ZEP6207														18.50		
	60.00	ZEPS6060MM	ZEP6060MM														69.85	176.21	222.25
9	2 11/16	ZEPS6211	ZEP6211	3 1/8	7 13/16	9 3/4	-	11 13/16	4 17/32	3 3/16	3/4	1 7/8	6 5/16	4 3/32	3 3/8	1 25/64	31.50		
	2 3/4	ZEPS6212	ZEP6212														31.00		
	2 15/16	ZEPS6215	ZEP6215														28.70		
	70.00	ZEPS6070MM	ZEP6070MM														79.38	198.44	247.65
75.00	ZEPS6075MM	ZEP6075MM	75.00	198.44	247.65	-	300.04	115.09	80.96	19.00	47.63	160.34	103.98	85.730	35.32	13.50			
10	3 3/16	ZEPS6303	ZEP6303	3 3/4	9 5/16	11 5/16	-	13 13/16	5 1/32	3 1/2	7/8	2 1/4	7 1/2	4 61/64	3 31/32	1 19/32	47.10		
	3 7/16	ZEPS6307	ZEP6307														44.70		
	80.00	ZEPS6080MM	ZEP6080MM														95.25	236.54	287.34
Four-Bolt Pillow Block																			
8	2 3/8	ZEPS6206F	ZEP6206F	2 3/4	6 15/16	8 3/4	1 7/8	10 1/2	4 1/16	3 5/8	5/8	1 5/8	5 1/2	3 19/32	2 29/32	1 27/64	19.40		
	2 7/16	ZEPS6207F	ZEP6207F														18.30		
	60.00	ZEPS6060MMF	ZEP6060MMF														69.85	176.21	222.25
9	2 11/16	ZEPS6211F	ZEP6211F	3 1/8	7 13/16	9 7/8	2 1/8	11 13/16	4 17/32	4 1/4	5/8	1 7/8	6 5/16	4 3/32	3 3/8	1 25/64	31.00		
	2 3/4	ZEPS6212F	ZEP6212F														30.50		
	2 15/16	ZEPS6215F	ZEP6215F														28.20		
	70.00	ZEPS6070MMF	ZEP6070MMF														79.38	198.44	250.83
75.00	ZEPS6075MMF	ZEP6075MMF	75.00	198.44	250.83	53.98	300.04	115.09	107.95	16.00	47.63	160.34	103.98	85.730	35.32	13.20			
10	3 3/16	ZEPS6303F	ZEP6303F	3 3/4	9 5/16	11 5/16	2 3/8	13 13/16	5 1/32	4 3/4	3/4	2 1/4	7 1/2	4 61/64	3 31/32	1 19/32	47.60		
	3 7/16	ZEPS6307F	ZEP6307F														45.20		
	80.00	ZEPS6080MMF	ZEP6080MMF														95.25	236.54	287.34
85.00	ZEPS6085MMF	ZEP6085MMF	85.00	236.54	287.34	60.33	350.84	127.79	120.65	19.00	57.15	190.50	125.81	100.790	40.48	20.50			
11	3 11/16	ZEPS6311F	ZEP6311F	4 1/4	12	13	2 1/4	15 1/4	5 25/32	4 1/2	3/4	2 5/8	8 5/8	5 43/64	4 9/16	1 47/64	65.50		
	3 15/16	ZEPS6315F	ZEP6315F														64.80		
100.00	ZEPS6100MMF	ZEP6100MMF	107.95	304.80	330.20	57.15	387.35	146.84	114.30	19.00	66.68	219.08	144.07	115.890	44.05	30.00			
12	4 3/16	ZEPS6403YF	ZEP6403YF	4 3/4	12 7/8	14 1/8	2 1/2	16 1/2	6 1/4	4 5/8	3/4	2 3/4	9 3/8	6 1/16	5 1/32	1 7/8	81.00		
	4 7/16	ZEPS6407YF	ZEP6407YF														78.00		
110.00	ZEPS6110MMF	ZEP6110MMF	120.65	327.03	358.78	63.50	419.10	158.75	117.48	19.00	69.85	238.13	153.99	127.790	47.63	35.40			
13	4 15/16	ZEPS6415F	ZEP6415F	5 1/2	14 7/8	16 1/8	2 3/4	18 1/2	7 15/16	5 9/16	7/8	3	11 1/8	6 61/64	5 3/4	2 1/4	150.00		
	125.00	ZEPS6125MMF	ZEP6125MMF														139.70	377.83	409.58

Additional Notes

- Please call 1-866-REXNORD for availability
- Metric bore sizes available, see the Rex Interchangeability guide
- Lubrication fitting tap size: for size code 6 thru 11, 1/8" PT; for all other size codes, 1/4" PT
- Base to centerline tolerance, +/- .005 in (+/- 0.13 mm)
- Seals - To specify K or M seal, replace "Z" in part number with "K" or "M"

- "K" seals only available in size codes 6 thru 11
- Auxiliary end caps - available in all size codes, except expansion units
- For the Selection Guide, Load Ratings and Speed Limits, see the Rex Spherical Roller Bearings Engineering section
- Note: Dimensions subject to change. Certified dimensions of ordered material furnished on request.

ZEP9000, ZEPS9000

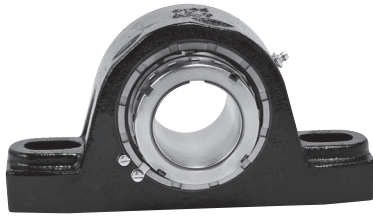
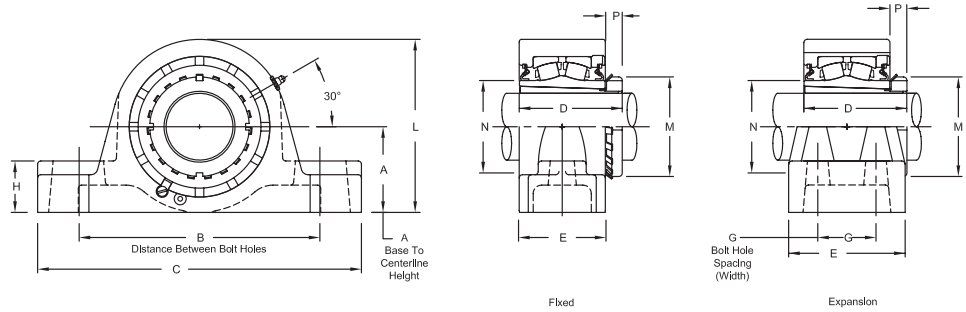


Photo Shows a 2-Bolt Spherical Roller Bearing Pillow Block Unit

Product Features

- Corrosion-resistant powder coating
- Cast iron housing
- Misalignment capabilities - total of 4°
- Broad range of sealing options
- Factory set clearance & lubrication
- Precision ground & superfinished raceways
- Enhanced life mounting style
- Field interchangeable seals
- See Features & Benefits for additional info.



Bearing Dimensions

Size Code	Shaft Diameter	Expansion		Fixed		A Base to Centerline Height	B Distance Between Bolt Holes		G Bolt Hole Spacing (Width)	C	D	E	F Bolts	H	L	M	N	P	Approx. Weight														
		Part Number	Part Number	Min.	Max.																												
Two-Bolt Pillow Block																																	
7	1 15/16	ZEPS9115	ZEP9115	2 1/2	6 9/16	8	-	9 5/8	3 5/32	2 9/16	5/8	1 1/2	5	2 31/32	2 5/8	19/32	15.00	14.90	6.80														
	2	ZEPS9200	ZEP9200																	63.50	166.69	203.20	-	244.48	80.17	65.09	16.00	38.10	127.00	75.40	66.680	15.08	6.60
	45.00	ZEPS9045MM	ZEP9045MM																														
	50.00	ZEPS9050MM	ZEP9050MM																														
8	2 3/16	ZEPS9203	ZEP9203	2 3/4	6 15/16	8 3/4	-	10 1/2	3 11/32	2 11/16	5/8	1 5/8	5 1/2	3 3/8	2 29/32	23/32	18.60	8.40															
	55.00	ZEPS9055MM	ZEP9055MM	69.85	176.21	222.25	-	266.70	84.93	68.26	16.00	41.28	139.70	85.73	73.820	18.26																	
9	2 7/16	ZEPS9207	ZEP9207	3 1/8	7 13/16	9 3/4	-	11 13/16	3 3/4	3 3/16	3/4	1 7/8	6 5/16	3 5/8	3 3/8	5/8	28.10	27.70	45.70														
	2 1/2	ZEPS9208	ZEP9208																														
10	2 11/16	ZEPS9211	ZEP9211	3 3/4	9 5/16	11 5/16	-	13 13/16	4 1/4	3 1/2	7/8	2 1/4	7 1/2	4 13/32	3 31/32	13/16	44.50	44.50	20.20														
	2 15/16	ZEPS9215	ZEP9215																														
	75.00	ZEPS9075MM	ZEP9075MM	95.25	236.54	287.34	-	350.84	107.95	88.90	22.00	57.15	190.50	111.92	100.790	20.64																	
Four-Bolt Pillow Block																																	
8	2 3/16	ZEPS9203F	ZEP9203F	2 3/4	6 15/16	8 3/4	1 7/8	10 1/2	3 11/32	3 5/8	5/8	1 5/8	5 1/2	3 3/8	2 29/32	23/32	18.70	8.50															
	55.00	ZEPS9055MMF	ZEP9055MMF	69.85	176.21	222.25	47.63	266.70	84.93	92.08	16.00	41.28	139.70	85.73	73.820	18.26																	
9	2 7/16	ZEPS9207F	ZEP9207F	3 1/8	7 13/16	9 7/8	2 1/8	11 13/16	3 3/4	4 1/4	5/8	1 7/8	6 5/16	3 5/8	3 3/8	5/8	27.60	27.20	46.20														
	2 1/2	ZEPS9208F	ZEP9208F																														
10	2 11/16	ZEPS9211F	ZEP9211F	3 3/4	9 5/16	11 5/16	2 3/8	13 13/16	4 1/4	4 3/4	3/4	2 1/4	7 1/2	4 13/32	3 31/32	13/16	45.00	45.00	20.40														
	2 15/16	ZEPS9215F	ZEP9215F																														
	75.00	ZEPS9075MMF	ZEP9075MMF	95.25	236.54	287.34	60.33	350.84	107.95	120.65	19.00	57.15	190.50	111.92	100.790	20.64																	
11	3 3/16	ZEPS9303F	ZEP9303F	4 1/4	12	13	2 1/4	15 1/4	5	4 1/2	3/4	2 5/8	8 5/8	5 3/16	4 9/16	15/16	70.00	68.00	31.00														
	3 7/16	ZEPS9307F	ZEP9307F																														
	80.00	ZEPS9080MMF	ZEP9080MMF	107.95	304.80	330.20	57.15	387.35	127.00	114.30	19.00	66.68	219.08	131.76	115.890	23.81																	
12	3 11/16	ZEPS9311YF	ZEP9311YF	4 3/4	12 7/8	14 1/8	2 1/2	16 1/2	5 17/32	4 5/8	3/4	2 3/4	9 3/8	5 23/32	5 1/32	1 1/32	78.20	75.90	34.40														
	3 15/16	ZEPS9315YF	ZEP9315YF																														
	4	ZEPS9400YF	ZEP9400YF	120.65	327.03	358.78	63.50	419.10	140.49	117.48	19.00	69.85	238.13	145.26	127.790	26.19																	
13	4 3/16	ZEPS9403F	ZEP9403F	5 1/2	14 7/8	16 1/8	2 3/4	18 1/2	6 3/4	5 9/16	7/8	3	11 1/8	6 1/8	5 3/4	1 1/8	150.00	148.00															
	4 7/16	ZEPS9407F	ZEP9407F																														

Additional Notes

- Please call 1-866-REXNORD for availability
- Lubrication fitting tap size: for size code 7 thru 11, 1/8" PT; for all other size codes, 1/4" PT
- Base to centerline tolerance, +/- .005 in (+/- 0.13 mm)
- Seals - To specify K or M seal, replace "Z" in part number with "K" or "M"
- "K" seals only available in size codes 7 thru 11
- Auxiliary end caps - available in all size codes, except expansion units

For the Selection Guide, Load Ratings and Speed Limits, see the Rex Spherical Roller Bearings Engineering section
 Note: Dimensions subject to change. Certified dimensions of ordered material furnished on request.

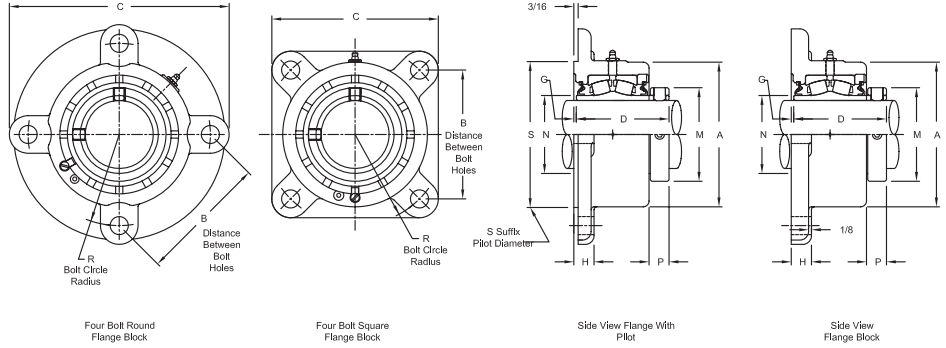
ZB2000, ZBS2000



Photo Shows a 4-Bolt Spherical Roller Bearing Flanged Unit

Product Features

- Corrosion-resistant powder coating
- Cast iron housing
- Misalignment capabilities - total of 4°
- Broad range of sealing options
- Factory set clearance & lubrication
- Precision ground & superfinished raceways
- Hardened spring locking collar
- Field interchangeable seals
- See Features & Benefits for additional info.



Bearing Dimensions

Size Code	Shaft Diameter	Expansion			Fixed			B Distance Between Bolt Holes	R Bolt Circle Radius	C	D	F Bolts	G	M	N	P	S	Approx. Weight
		Part Number	A	H	Part Number	A	H											
3-Bolt																		
2	3/4	-	-	-	ZB2012	-	-	-	-	-	-	-	-	-	-	-	-	4.30
	15/16	-	-	-	ZB2015	2 7/8	9/16	3 37/64	2 1/16	5 1/8	2 9/16	3/8	1/32	1 3/4	1 5/16	9/16	3	4.20
	1	-	-	-	ZB2100	-	-	-	-	-	-	-	-	-	-	-	-	-
	25.00	-	-	-	ZB2025MM	73.03	14.29	90.88	52.39	130.18	65.09	10.00	0.79	44.45	33.340	14.29	76.200	1.90
3	1 1/8	-	-	-	ZB2102	-	-	-	-	-	-	-	-	-	-	-	-	5.20
	1 3/16	-	-	-	ZB2103	3 1/8	19/32	3 57/64	2 1/4	5 1/2	2 11/16	3/8	1/32	1 31/32	1 17/32	9/16	3 1/4	5.10
	1 1/4	-	-	-	ZB2104	-	-	-	-	-	-	-	-	-	-	-	-	5.00
	30.00	-	-	-	ZB2030MM	79.38	15.09	98.83	57.15	139.70	68.26	10.00	0.79	50.00	38.880	14.29	82.550	2.30
4	1 7/16	ZBS2107	3 3/4	5/8	ZB2107	-	-	-	-	-	-	-	-	-	-	-	-	6.80
	1 1/2	ZBS2108	-	-	ZB2108	3 7/16	5/8	4 21/64	2 1/2	6 1/4	2 7/8	1/2	1/32	2 5/16	1 3/4	11/16	3 9/16	6.70
	35.00	ZBS2035MM	95.25	15.88	ZB2035MM	87.31	15.88	109.93	63.50	158.75	73.02	13.00	0.79	58.74	44.450	17.46	90.490	3.10
4-Bolt Round																		
5	1 11/16	ZBS2111	4 1/4	5/8	ZB2111	3 15/16	5/8	3 57/64	2 3/4	6 3/4	3 1/8	1/2	1/32	2 19/32	2 1/32	11/16	4 1/16	8.60
	1 3/4	ZBS2112	-	-	ZB2112	-	-	-	-	-	-	-	-	-	-	-	-	8.40
	40.00	ZBS2040MM	107.95	15.88	ZB2040MM	100.01	15.88	98.83	69.85	171.45	79.38	13.00	0.79	65.88	51.580	17.46	103.190	4.00
	45.00	ZBS2045MM	-	-	ZB2045MM	-	-	-	-	-	-	-	-	-	-	-	-	8.40
6	1 15/16	ZBS2115	4 1/2	11/16	ZB2115	4 1/4	11/16	4 1/16	2 7/8	7	3 1/8	1/2	1/16	2 7/8	2 5/16	11/16	4 3/8	9.80
	2	ZBS2200	-	-	ZB2200	-	-	-	-	-	-	-	-	-	-	-	-	9.60
	50.00	ZBS2050MM	114.30	17.46	ZB2050MM	107.95	17.46	103.19	73.03	177.80	79.38	13.00	1.59	73.03	58.740	17.46	111.130	4.50
7	2 3/16	ZBS2203	4 7/8	11/16	ZB2203	4 7/8	11/16	4 1/2	3 3/16	7 3/4	3 5/16	5/8	3/32	3 1/4	2 5/8	13/16	5	13.30
	2 1/4	ZBS2204	-	-	ZB2204	-	-	-	-	-	-	-	-	-	-	-	-	13.10
	55.00	ZBS2055MM	123.83	17.46	ZB2055MM	123.83	17.46	114.30	80.96	196.85	84.14	16.00	2.38	82.55	66.680	19.84	127.000	6.10
8	2 3/8	ZBS2206	5 3/8	3/4	ZB2206	5 3/8	3/4	4 49/64	3 3/8	8 1/8	3 1/2	5/8	3/32	3 9/16	2 29/32	7/8	5 7/16	16.70
	2 7/16	ZBS2207	-	-	ZB2207	-	-	-	-	-	-	-	-	-	-	-	-	16.60
	2 1/2	ZBS2208	-	-	ZB2208	-	-	-	-	-	-	-	-	-	-	-	-	16.40
	60.00	ZBS2060MM	136.53	19.05	ZB2060MM	136.53	19.05	121.06	85.73	206.38	88.90	16.00	2.38	90.49	73.810	22.23	138.110	7.60
	65.00	ZBS2065MM	-	-	ZB2065MM	-	-	-	-	-	-	-	-	-	-	-	-	7.40
9	2 11/16	ZBS2211	6 1/4	7/8	ZB2211	6 1/4	7/8	5 9/16	3 15/16	9 1/2	4	3/4	3/32	4 1/16	3 3/8	7/8	6 5/16	26.50
	2 3/4	ZBS2212	-	-	ZB2212	-	-	-	-	-	-	-	-	-	-	-	-	26.10
	2 15/16	ZBS2215	-	-	ZB2215	-	-	-	-	-	-	-	-	-	-	-	-	25.60
	3	ZBS2300	-	-	ZB2300	-	-	-	-	-	-	-	-	-	-	-	-	25.10
	70.00	ZBS2070MM	158.75	22.23	ZB2070MM	158.75	22.23	141.29	100.01	241.30	101.60	19.00	2.38	103.19	85.730	22.23	160.340	11.80
	75.00	ZBS2075MM	-	-	ZB2075MM	-	-	-	-	-	-	-	-	-	-	-	-	11.60

Continued...

Continued...

Bearing Dimensions

Size Code	Shaft Diameter	Expansion			Fixed			B Distance Between Bolt Holes	R Bolt Circle Radius	C	D	F Bolts	G	M	N	P	S	Approx. Weight
		Part Number	A	H	Part Number	A	H											
4-Bolt Square																		
10	3 ³ / ₁₆	ZBS2303	7 ³ / ₈	1 ³ / ₈	ZB2303	7 ³ / ₈	1	6 ²³ / ₃₂	4 ³ / ₄	8 ⁷ / ₁₆	4 ³ / ₈	³ / ₄	1/4	4 ²⁹ / ₃₂	3 ³¹ / ₃₂	¹⁵ / ₁₆	7 ³ / ₈	37.00
	3 ⁷ / ₁₆	ZBS2307			ZB2307													34.60
	3 ¹ / ₂	ZBS2308	ZB2308	34.10														
	80.00	ZBS2080MM	ZB2080MM	16.80														
	85.00	ZBS2085MM	187.33	34.93	ZB2085MM	187.33	25.40											170.66
90.00	ZBS2090MM	ZB2090MM	15.50															
11	3 ¹¹ / ₁₆	ZBS2311	8 ³ / ₈	1 ¹ / ₂	ZB2311	8 ¹ / ₂	1 ³ / ₁₆	7 ¹⁹ / ₃₂	5 ³ / ₈	9 ³ / ₄	5 ¹ / ₁₆	⁷ / ₈	1/4	5 ⁵ / ₈	4 ⁹ / ₁₆	1 ¹ / ₃₂	8 ¹ / ₂	59.00
	3 ¹⁵ / ₁₆	ZBS2315			ZB2315													56.00
	4	ZBS2400	ZB2400															
	100.00	ZBS2100MM	212.73	38.10	ZB2100MM	215.90	30.20											192.89

Additional Notes

Please call 1-866-REXNORD for availability
 Metric bore sizes available, see Rex Interchangeability guide
 Lubrication fitting tap size, 1/8" PT
 Bore size = nominal shaft size +.001 in/-.000 in (+0.03 mm/-0.00 mm)
 Machined pilot available, add suffix S
 Seals - To specify K or M seal, replace "Z" in part number with "K" or "M"
 Auxiliary end caps - available in all size codes except for size codes 2 thru 6 and expansion units

Also not available on size code 7 on flange side of non-piloted bearings and size code 7 thru 9 on flange side of piloted bearings
 Pilot Diameter tolerance, +.000 in/-.003 in (+0.00 mm/-0.08 mm)
 For the Selection Guide, Load Ratings and Speed Limits, see the Rex Spherical Roller Bearings Engineering section
 Note: Dimensions subject to change. Certified dimensions of ordered material furnished on request.

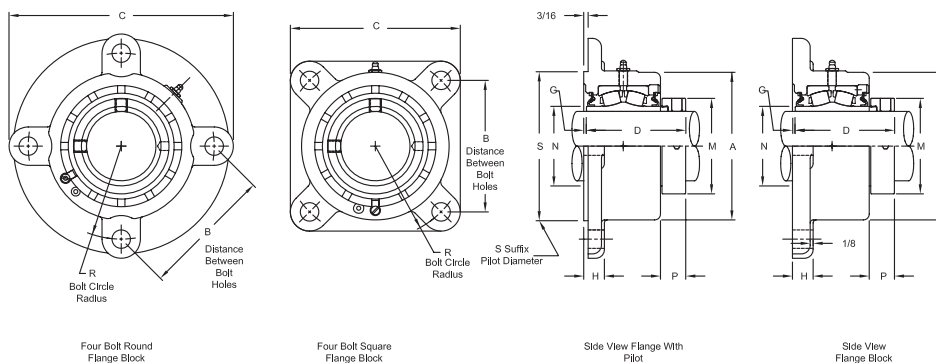
ZB3000, ZBS3000



Photo Shows a 4-Bolt Spherical Roller Bearing Flanged Unit

Product Features

- Corrosion-resistant powder coating
- Cast iron housing
- Misalignment capabilities - total of 4°
- Broad range of sealing options
- Factory set clearance & lubrication
- Precision ground & superfinished raceways
- Hardened eccentric locking collar
- Field interchangeable seals
- See Features & Benefits for additional info.



Bearing Dimensions

Size Code	Shaft Diameter	Expansion		Fixed		B Distance Between Bolt Holes	R Bolt Circle Radius	C	D	F Bolts	G	H	M	N	P	S	Approx. Weight
		Part Number	A	Part Number	A												
3-Bolt Round																	
4	1 7/16	ZBS3107	3 3/4	ZB3107	3 7/16	4 21/64	2 1/2	6 1/4	2 59/64	1/2	1/32	5/8	2 5/16	1 3/4	25/32	3 9/16	7.00
4-Bolt Round																	
5	1 11/16	ZBS3111	4 1/4	ZB3111	3 15/16	3 57/64	2 3/4	6 3/4	3 3/16	1/2	1/32	5/8	2 5/8	2 1/32	3/4	4 1/16	8.80
6	1 15/16	ZBS3115	4 1/2	ZB3115	4 1/4	4 1/16	2 7/8	7	3 9/32	1/2	1/16	11/16	2 3/4	2 5/16	27/32	4 3/8	10.00
7	2 3/16	ZBS3203	4 7/8	ZB3203	4 7/8	4 1/2	3 3/16	7 3/4	3 1/2	5/8	3/32	11/16	3 1/4	2 5/8	31/32	5	13.60
8	2 7/16	ZBS3207	5 3/8	ZB3207	5 3/8	4 49/64	3 3/8	8 1/8	3 21/32	5/8	3/32	3/4	3 9/16	2 29/32	1 1/64	5 7/16	16.80
	2 1/2	ZBS3208		ZB3208													16.60
9	2 11/16	ZBS3211	6 1/4	ZB3211	6 1/4	5 9/16	3 15/16	9 1/2	4 13/64	3/4	3/32	7/8	4 1/16	3 3/8	1 1/64	6 5/16	27.10
	2 15/16	ZBS3215		ZB3215													26.00
4-Bolt Square																	
10	3 7/16	ZBS3307	7 3/8	ZB3307	7 3/8	6 23/32	4 3/4	8 7/16	4 37/64	3/4	1/4	1	4 15/16	3 31/32	1 9/64	7 3/8	35.70
	3 1/2	ZBS3308		ZB3308													35.20
11	3 15/16	ZBS3315	8 3/8	ZB3315	8 1/2	7 19/32	5 3/8	9 3/4	5 3/16	7/8	1/4	1 1/8	5 5/8	4 9/16	1 1/16	8 1/2	56.00

Additional Notes

- Please call 1-866-REXNORD for availability
- Lubrication fitting tap size, 1/8" PT
- Bore size = nominal shaft size +.001 in/-.000 in (**+0.03 mm/-0.00 mm**)
- Machined pilot available, add suffix S
- Seals - To specify K or M seal, replace "Z" in part number with "K" or "M"
- Auxiliary end caps - available in all size codes except for size codes 4 thru 6 and expansion units

- Also not available on size code 7 on flange side of non-piloted bearings and size code 7 thru 9 on flange side of piloted bearings
- Pilot Diameter tolerance, +.000 in/-.003 in (**+0.00 mm/-0.08 mm**)
- For the Selection Guide, Load Ratings and Speed Limits, see the Rex Spherical Roller Bearings Engineering section
- Note: Dimensions subject to change. Certified dimensions of ordered material furnished on request.

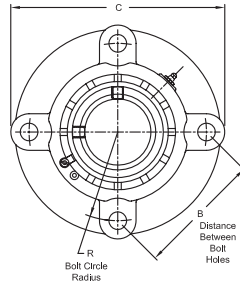
ZB5000, ZBS5000



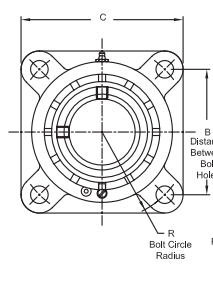
Photo Shows a 4-Bolt Spherical Roller Bearing Flanged Unit

Product Features

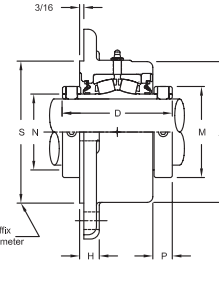
- Corrosion-resistant powder coating
- Cast iron housing
- Misalignment capabilities - total of 4°
- Broad range of sealing options
- Factory set clearance & lubrication
- Precision ground & superfinished raceways
- Two hardened spring locking collars
- Field interchangeable seals
- See Features & Benefits for additional info.



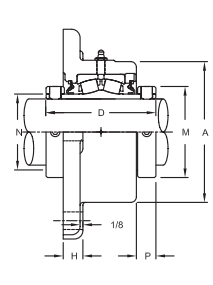
Four Bolt Round Flange Block



Four Bolt Square Flange Block



Side View Flange With Pilot



Side View Flange Block

Bearing Dimensions

Size Code	Shaft Diameter	Expansion			Fixed			B Distance Between Bolt Holes	R Bolt Circle Radius	C	D	F Bolts	M	N	P	S	Approx. Weight
		Part Number	A	H	Part Number	A	H										
3-Bolt Round																	
4	1 7/16	ZBS5107	3 3/4	5/8	ZB5107	3 7/16	5/8	4 21/64	2 1/2	6 1/4	3 9/16	1/2	2 5/16	1 3/4	11/16	3 9/16	7.10
	35.00	ZBS5035MM	95.25	15.88	ZB5035MM	87.31	15.88	109.93	63.50	158.75	90.49	13.00	58.74	44.450	17.46	90.490	3.20
4-Bolt Round																	
5	1 1/2	ZBS5108	4 1/4	5/8	ZB5108	3 15/16	5/8	3 57/64	2 3/4	6 3/4	3 13/16	1/2	2 19/32	2 1/32	11/16	4 1/16	9.60
	1 11/16	ZBS5111			ZB5111												9.20
	40.00	ZBS5040MM	107.95	15.88	ZB5040MM	100.01	15.88	98.83	69.85	171.45	96.84	13.00	65.88	51.580	17.46	103.190	4.30
	45.00	ZBS5045MM			ZB5045MM												4.20
6	1 15/16	ZBS5115	4 1/2	11/16	ZB5115	4 1/4	11/16	4 1/16	2 7/8	7	3 13/16	1/2	2 7/8	2 5/16	11/16	4 3/8	10.40
	50.00	ZBS5050MM	114.30	17.46	ZB5050MM	107.95	17.46	103.19	73.03	177.80	96.84	13.00	73.03	58.740	17.46	111.130	4.70
7	2	ZBS5200	4 7/8	11/16	ZB5200	4 7/8	11/16	4 1/2	3 3/16	7 3/4	4 1/8	5/8	3 1/4	2 5/8	13/16	5	15.00
	2 3/16	ZBS5203			ZB5203												14.40
	55.00	ZBS5055MM	123.83	17.46	ZB5055MM	123.83	17.46	114.30	80.96	196.85	104.78	16.00	82.60	66.680	20.64	127.000	6.50
8	2 7/16	ZBS5207	5 3/8	3/4	ZB5207	5 3/8	3/4	4 49/64	3 3/8	8 1/8	4 3/8	5/8	3 9/16	2 29/32	7/8	5 7/16	17.70
	60.00	ZBS5060MM	136.53	19.05	ZB5060MM	136.53	19.05	121.06	85.73	206.38	111.13	16.00	90.50	73.810	22.23	138.110	8.10
	65.00	ZBS5065MM			ZB5065MM												8.00
9	2 1/2	ZBS5208	6 1/4	7/8	ZB5208	6 1/4	7/8	5 9/16	3 15/16	9 1/2	4 7/8	3/4	4 1/16	3 3/8	7/8	6 5/16	29.20
	2 11/16	ZBS5211			ZB5211												28.20
	2 15/16	ZBS5215	ZB5215	27.70													
	70.00	ZBS5070MM	158.75	22.23	ZB5070MM	158.75	22.23	141.29	100.01	241.30	123.83	19.00	103.20	85.730	22.23	160.340	12.80
75.00	ZBS5075MM	ZB5075MM			12.60												
4-Bolt Square																	
10	3 3/16	ZBS5303	7 3/8	1 3/8	ZB5303	7 3/8	1	6 23/32	4 3/4	8 7/16	5 5/16	3/4	4 29/32	3 31/32	15/16	7 3/8	39.60
	3 7/16	ZBS5307			ZB5307												37.70
	80.00	ZBS5080MM	187.33	34.93	ZB5080MM	187.33	25.40	170.66	120.65	214.31	134.94	19.00	124.62	100.810	23.81	187.330	18.00
	85.00	ZBS5085MM			ZB5085MM												17.00
90.00	ZBS5090MM	ZB5090MM	16.50														
11	3 11/16	ZBS5311	8 3/8	1 1/2	ZB5311	8 1/2	1 3/16	7 19/32	5 3/8	9 3/4	6 1/8	7/8	5 5/8	4 9/16	1 1/32	8 1/2	61.50
	3 15/16	ZBS5315			ZB5315												60.50
	4	ZBS5400	ZB5400	59.50													
	100.00	ZBS5100MM	212.73	38.10	ZB5100MM	215.90	30.20	192.89	136.53	247.65	155.58	22.00	142.90	115.890	26.19	215.900	27.50

Additional Notes

- Please call 1-866-REXNORD for availability
- Metric bore sizes available, see Rex Interchangeability guide
- Lubrication fitting tap size, 1/8" PT
- Bore size = nominal shaft size +.001 in/-.000 in (+0.03 mm/-0.00 mm)
- Machined pilot available, add suffix S
- Seals - To specify K or M seal, replace "Z" in part number with "K" or "M"
- Auxiliary end caps - available in all size codes except for size codes 4 thru 6 and expansion units

- Also not available on size code 7 on flange side of non-piloted bearings and size code 7 thru 9 on flange side of piloted bearings
- Pilot Diameter tolerance, +.000 in/-.003 in (+0.00 mm/-0.08 mm)
- For the Selection Guide, Load Ratings and Speed Limits, see the Rex Spherical Roller Bearings Engineering section
- Note: Dimensions subject to change. Certified dimensions of ordered material furnished on request.

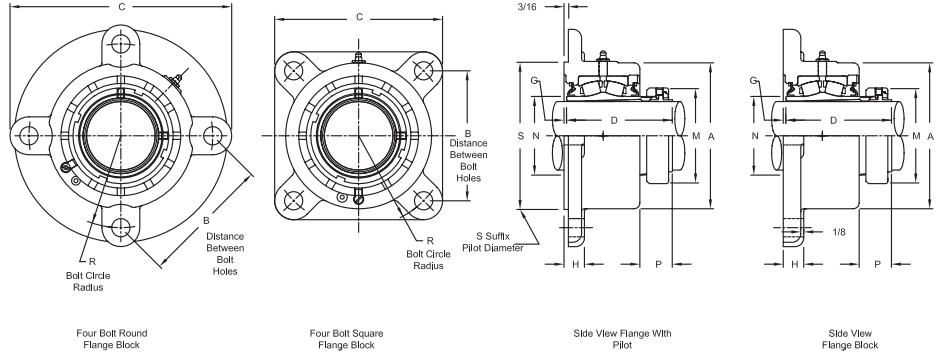
ZB6000, ZBS6000



Photo Shows a 4-Bolt Spherical Roller Bearing Flanged Unit

Product Features

- Spyglass™ Optical Strain Sensor (OSS) Technology
- Positive locking system
- Tapered adapter sleeve
- Corrosion-resistant powder coating
- Cast iron housing
- Misalignment capabilities - total of 4°
- Broad range of sealing options
- Factory set clearance & lubrication
- Precision ground & superfinished raceways
- See Features & Benefits for additional info.



Bearing Dimensions

Size Code	Shaft Diameter	Expansion			Fixed			B Distance Between Bolt Holes	R Bolt Circle Radius	C	D	F Bolts	G	M	N	P	S	Approx. Weight
		Part Number	A	H	Part Number	A	H											
3-Bolt																		
4	1 7/16	ZBS6107	3 3/4	5/8	ZB6107	3 7/16	5/8	4 21/64	2 1/2	6 1/4	3 21/64	1/2	1/32	2 25/64	1 3/4	1 9/64	3 9/16	6.80
4-Bolt Round																		
5	1 11/16	ZBS6111	4 1/4	5/8	ZB6111	3 15/16	5/8	3 57/64	2 3/4	6 3/4	3 47/64		1/32	2 41/64	2 1/32	1 9/32	4 1/16	8.60
6	1 15/16	ZBS6115	4 1/2	11/16	ZB6115	4 1/4	11/16	4 1/16	2 7/8	7	3 41/64	1/2	1/16	2 55/64	2 5/16	1 1/8	4 3/8	9.80
	45.00	ZBS6045MM	114.30	17.46	ZB6045MM	107.95	17.46	103.19	73.03	177.80	92.47	13.00	1.59	72.63	58.740	28.58	111.130	4.20
7	2 3/16	ZBS6203	4 7/8	11/16	ZB6203	4 7/8	11/16	4 1/2	3 3/16	7 3/4	3 11/16	5/8	3/32	3 15/64	2 5/8	1 5/32	5	13.30
	55.00	ZBS6055MM	123.83	17.46	ZB6055MM	123.83	17.46	114.30	80.96	196.85	93.66	16.00	2.38	82.15	66.680	29.37	127.000	6.50
8	2 3/8	ZBS6206	5 3/8	3/4	ZB6206	5 3/8	3/4	4 49/64	3 3/8	8 1/8	4 1/16	5/8	3/32	3 19/32	2 29/32	1 27/64	5 7/16	16.70
	2 7/16	ZBS6207	5 3/8	3/4	ZB6207	5 3/8	3/4	4 49/64	3 3/8	8 1/8	4 1/16	5/8	3/32	3 19/32	2 29/32	1 27/64	5 7/16	16.60
9	2 11/16	ZBS6211	6 1/4	7/8	ZB6211	6 1/4	7/8	5 9/16	3 15/16	9 1/2	4 17/32	3/4	3/32	4 3/32	3 3/8	1 25/64	6 5/16	26.50
	2 3/4	ZBS6212	6 1/4	7/8	ZB6212	6 1/4	7/8	5 9/16	3 15/16	9 1/2	4 17/32	3/4	3/32	4 3/32	3 3/8	1 25/64	6 5/16	26.10
9	2 15/16	ZBS6215	6 1/4	7/8	ZB6215	6 1/4	7/8	5 9/16	3 15/16	9 1/2	4 17/32	3/4	3/32	4 3/32	3 3/8	1 25/64	6 5/16	25.60
	70.00	ZBS6070MM	158.75	22.23	ZB6070MM	158.75	22.23	141.29	100.01	241.30	115.09	19.00	2.38	103.98	85.730	35.32	160.340	12.80
	75.00	ZBS6075MM	158.75	22.23	ZB6075MM	158.75	22.23	141.29	100.01	241.30	115.09	19.00	2.38	103.98	85.730	35.32	160.340	12.60
4-Bolt Square																		
10	3 3/16	ZBS6303	7 3/8	1 3/8	ZB6303	7 3/8	1	6 29/32	4 3/4	8 7/16	5 1/32	3/4	1/4	4 61/64	3 31/32	1 19/32	7 3/8	37.00
	3 7/16	ZBS6307	7 3/8	1 3/8	ZB6307	7 3/8	1	6 29/32	4 3/4	8 7/16	5 1/32	3/4	1/4	4 61/64	3 31/32	1 19/32	7 3/8	34.60
	80.00	ZBS6080MM	187.33	34.93	ZB6080MM	187.33	25.40	170.66	120.65	214.31	127.79	19.00	6.35	125.81	100.810	40.48	187.330	18.00
	85.00	ZBS6085MM	187.33	34.93	ZB6085MM	187.33	25.40	170.66	120.65	214.31	127.79	19.00	6.35	125.81	100.810	40.48	187.330	17.00
11	3 11/16	ZBS6311	8 3/8	1 1/2	ZB6311	8 1/2	1 3/16	7 19/32	5 3/8	9 3/4	5 25/32	7/8	1/4	5 43/64	4 9/16	1 47/64	8 1/2	59.00
	3 15/16	ZBS6315	8 3/8	1 1/2	ZB6315	8 1/2	1 3/16	7 19/32	5 3/8	9 3/4	5 25/32	7/8	1/4	5 43/64	4 9/16	1 47/64	8 1/2	56.00
	100.00	ZBS6100MM	212.73	38.10	ZB6100MM	215.90	30.20	192.89	136.53	247.65	146.84	22.00	6.35	144.07	115.890	44.05	215.900	27.50

Additional Notes

- Please call 1-866-REXNORD for availability
- Lubrication fitting tap size, 1/8" PT
- Machined pilot available, add suffix S
- Seals - To specify K or M seal, replace "Z" in part number with "K" or "M"
- Auxiliary end caps - available in all size codes except for size code 4 thru 6 and expansion units
- Also not available on size code 7 on flange side of non-piloted bearings and size code 7 thru 9 on flange side of piloted bearings

Pilot Diameter tolerance, +.000 in/- .003 in (**+0.00 mm/-0.08 mm**)
 For the Selection Guide, Load Ratings and Speed Limits, see the Rex Spherical Roller Bearings Engineering section
 Note: Dimensions subject to change. Certified dimensions of ordered material furnished on request.

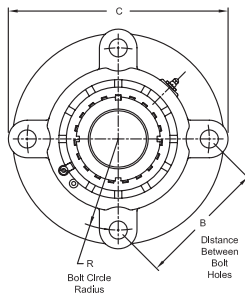
ZB9000, ZBS9000



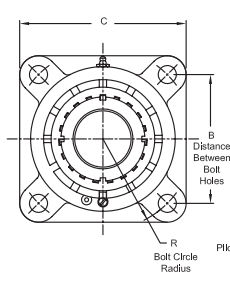
Photo Shows a 4-Bolt Spherical Roller Bearing Flanged Unit

Product Features

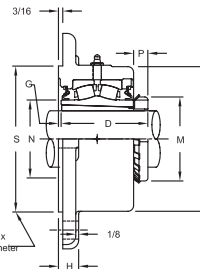
- Corrosion-resistant powder coating
- Cast iron housing
- Misalignment capabilities - total of 4°
- Broad range of sealing options
- Factory set clearance & lubrication
- Precision ground & superfinished raceways
- Enhanced life mounting style
- Field interchangeable seals
- See Features & Benefits for additional info.



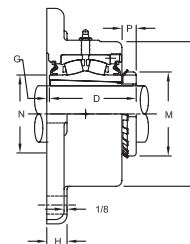
Four Bolt Round Flange Block



Four Bolt Square Flange Block



Side View Flange With Pilot



Side View Flange Block

Bearing Dimensions

Size Code	Shaft Diameter	Expansion			Fixed			B Distance Between Bolt Holes	R Bolt Circle Radius	C	D	F Bolts	G	M	N	P	S	Approx. Weight
		Part Number	A	H	Part Number	A	H											
4-Bolt Round																		
7	1 15/16	ZBS9115			ZB9115													13.50
	2	ZBS9200	4 7/8	11/16	ZB9200	4 7/8	11/16	4 1/2	3 3/16	7 3/4	3 5/32	5/8	3/32	2 31/32	2 5/8	19/32	5	13.40
	45.00	ZBS9045MM	123.83	17.46	ZB9045MM	123.83	17.46	114.30	80.96	196.85	80.17	16.00	2.38	75.40	66.680	15.08	127.000	6.40
	50.00	ZBS9050MM			ZB9050MM													6.10
8	2 3/16	ZBS9203	5 3/8	3/4	ZB9203	5 3/8	3/4	4 49/64	3 3/8	8 1/8	3 11/32	5/8	3/32	3 3/8	2 29/32	23/32	5 7/16	17.00
	55.00	ZBS9055MM	136.53	19.05	ZB9055MM	136.53	19.05	121.06	85.73	206.38	84.93	16.00	2.38	85.73	73.810	18.26	138.110	7.70
9	2 7/16	ZBS9207	6 1/4	7/8	ZB9207	6 1/4	7/8	5 9/16	3 15/16	9 1/2	3 3/4	3/4	3/32	3 5/8	3 3/8	5/8	6 5/16	25.80
	2 1/2	ZBS9208			ZB9208													25.40
4-Bolt Square																		
10	2 11/16	ZBS9211			ZB9211													38.20
	2 15/16	ZBS9215	7 3/8	1 3/8	ZB9215	7 3/8	1	6 23/32	4 3/4	8 7/16	4 1/4	3/4	1/4	4 13/32	3 31/32	13/16	7 3/8	37.00
	3	ZBS9300			ZB9300													36.50
	75.00	ZBS9075MM	187.33	34.93	ZB9075MM	187.33	25.40	170.66	120.65	214.31	107.95	19.00	6.35	111.92	100.810	20.64	187.330	16.80
11	3 3/16	ZBS9303	8 3/8	1 1/2	ZB9303	8 1/2	1 3/16	7 19/32	5 3/8	9 3/4	5	7/8	1/4	5 3/16	4 9/16	15/16	8 1/2	62.00
	3 7/16	ZBS9307			ZB9307													60.00
	80.00	ZBS9080MM	212.73	38.10	ZB9080MM	215.90	30.20	192.89	136.53	247.65	127.00	22.00	6.35	131.76	115.890	23.81	215.900	28.10

Additional Notes

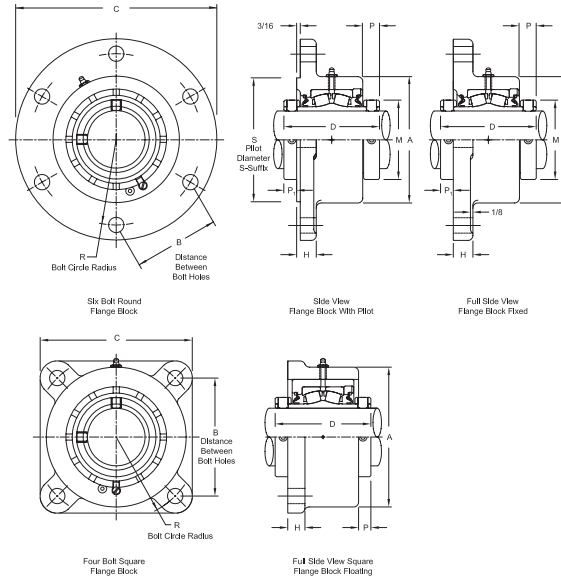
- Please call 1-866-REXNORD for availability
- Lubrication fitting tap size, 1/8" PT
- Machined pilot available, add suffix S
- Seals - To specify K or M seal, replace "Z" in part number with "K" or "M"
- Auxiliary end caps - available in all size codes except for size code 7 on flange side of non-piloted bearings and size code 7 thru 9 on flange side of piloted bearings and expansion units
- Pilot Diameter tolerance, +.000 in/-.003 in (+0.00 mm/-0.08 mm)
- For the Selection Guide, Load Ratings and Speed Limits, see the Rex Spherical Roller

Bearings Engineering section
 Note: Dimensions subject to change. Certified dimensions of ordered material furnished on request.

ZF5000, ZFS5000



Photo Shows a 6-Bolt Spherical Roller Bearing Flanged Unit



Product Features

- Corrosion-resistant powder coating
- Cast iron housing
- Misalignment capabilities - total of 4°
- Broad range of sealing options
- Factory set clearance & lubrication
- Precision ground & superfinished raceways
- Two hardened spring locking collars
- Field interchangeable seals
- Fixed or Expansion - up to 3/4" expansion
- See Features & Benefits for additional info.

Bearing Dimensions

Size Code	Shaft Diameter	Expansion						Fixed						B Distance Between Bolt Holes	R Bolt Circle Radius	C	D	H	M	P1	
		Part Number	A	F Bolts	P	S	Approx. Weight	Part Number	A	F Bolts	P	S	Approx. Weight								
4-Bolt Square																					
4	1 7/16	ZFS5107	4 7/16	1/2	15/32	4 7/16	9.60	ZF5107	3 11/16	1/2	11/16	3 9/16	7.60	3 23/32	2 5/8	4 15/16	3 9/16	5/8	2 5/16	1/2	
		35.00	ZFS5035MM	112.71	13.00	11.89	112.710	4.40	ZF5035MM	93.66	13.00	17.46	90.490	3.40	94.46	66.68	125.41	90.49	15.88	58.74	12.70
5	1 1/2	ZFS5108	5	1/2	13/32	4 3/4	12.60	ZF5108	4 1/4	1/2	11/16	4 1/16	10.40	3 57/64	2 3/4	5 1/8	3 13/16	5/8	2 19/32	15/32	
		1 11/16					ZFS5111	12.30					ZF5111								9.70
		40.00	ZFS5040MM	127.00	13.00	10.31	120.650	5.70	ZF5040MM	107.95	13.00	17.46	103.190	4.70	98.83	69.85	130.18	96.84	15.88	65.88	11.89
		45.00	ZFS5045MM					5.60	ZF5045MM					4.40							
6	1 15/16	ZFS5115	5 1/8	1/2	13/32	5 1/8	12.80	ZF5115	4 1/2	1/2	11/16	4 3/8	10.40	4 1/16	2 7/8	5 5/16	3 13/16	5/8	2 7/8	15/32	
		50.00	ZFS5050MM	130.18	13.00	10.31	130.180	5.80	ZF5050MM	114.30	13.00	17.46	111.130	4.70	103.19	73.03	134.94	96.84	15.88	73.03	11.89
7	2	ZFS5200	5 3/4	5/8	1/2	5 5/8	18.00	ZF5200	5	5/8	13/16	5	14.40	4 1/2	3 3/16	5 7/8	4 1/8	11/16	3 1/4	2 1/32	
		2 3/16					ZFS5203	17.30					ZF5203								13.70
		55.00	ZFS5055MM	146.05	16.00	12.70	142.880	7.80	ZF5055MM	127.00	16.00	20.64	127.000	6.20	114.30	80.96	149.23	104.78	17.46	82.60	11.66
8	2 7/16	ZFS5207	6	5/8	9/16	6	20.30	ZF5207	5 1/2	5/8	7/8	5 7/16	17.50	5 1/32	3 9/16	6 7/16	4 3/8	3/4	3 9/16	5/8	
		60.00	ZFS5060MM	152.40	16.00	14.29	152.400	9.20	ZF5060MM	139.70	16.00	22.23	138.110	7.90	127.80	90.49	163.51	111.13	19.05	90.50	15.88
		65.00	ZFS5065MM					8.70	ZF5065MM					7.50							
9	2 1/2	ZFS5208	7 1/8	3/4	5/8	7 1/8	35.40	ZF5208	6 1/2	3/4	7/8	6 5/16	29.90	6 1/64	4 1/4	7 3/4	4 7/8	7/8	4 1/16	2 1/32	
		2 11/16					ZFS5211	34.10					ZF5211								28.90
		2 15/16	ZFS5215					33.20	ZF5215				26.90								
		70.00	ZFS5070MM	180.98	19.00	15.88	180.980	15.50	ZF5070MM	165.10	19.00	22.23	160.340	13.10	152.80	107.95	196.85	123.83	22.23	103.20	16.66
	75.00	ZFS5075MM					15.10	ZF5075MM					12.20								
10	3 3/16	ZFS5303	8	3/4	9/16	8	47.00	ZF5303	7 3/8	3/4	15/16	7 3/8	40.00	6 23/32	4 3/4	8 7/16	5 5/16	1	4 29/32	11/16	
		3 7/16					ZFS5307	45.50					ZF5307								38.00
		80.00	ZFS5080MM					21.30	ZF5080MM				18.10								
		85.00	ZFS5085MM	203.20	19.00	14.29	203.200	20.60	ZF5085MM	187.33	19.00	23.81	187.330	17.20	170.67	120.65	214.31	134.94	25.40	124.62	17.46
	90.00	ZFS5090MM					19.60	ZF5090MM					16.20								
11	3 11/16	ZFS5311	9 1/2	1	5/8	9 1/2	80.00	ZF5311	8 7/8	1	1 1/32	8 7/8	71.00	8 5/16	5 7/8	10 9/16	6 1/8	1 1/8	5 5/8	13/16	
		3 15/16					ZFS5315	77.00					ZF5315								69.00
		4	ZFS5400					76.00	ZF5400				68.00								
		100.00	ZFS5100MM	241.30	25.00	15.88	241.300	35.00	ZF5100MM	225.43	25.00	26.19	225.430	31.30	211.14	149.23	268.29	155.58	28.58	142.90	20.64
6-Bolt Round																					
12	4 3/16	ZFS5403Y	11 5/8	1	11/16	11 5/8	127.00	ZF5403Y	9 1/2	1	1 1/16	10 3/8	98.00	6 7/16	6 7/16	15 1/8	6 1/4	1 1/4	6 3/16	3/4	
		4 7/16					ZFS5407Y	124.00					ZF5407Y								96.00
		4 1/2	ZFS5408Y					123.00	ZF5408Y				95.00								
		110.00	ZFS5110MM	295.28	25.00	17.46	295.280	56.00	ZF5110MM	241.30	25.00	26.99	263.530	43.50	163.51	163.51	384.18	158.75	31.75	157.16	19.05
	115.00	ZFS5115MM						ZF5115MM				43.00									
13	4 15/16	ZFS5415	12 9/16	1	23/32	12 9/16	184.00	ZF5415	11 3/16	1 1/8	1 5/32	11 3/16	159.00	7	7	16 1/2	7 7/8	1 1/2	7 1/16	3/4	

Continued...

Continued...

Bearing Dimensions

Size Code	Shaft Diameter	Expansion						Fixed						B Distance Between Bolt Holes	R Bolt Circle Radius	C	D	H	M	P1
		Part Number	A	F Bolts	P	S	Approx. Weight	Part Number	A	F Bolts	P	S	Approx. Weight							
6-Bolt Round (continued)																				
13	5	ZFS5500	12 ⁹ / ₁₆	1	²³ / ₃₂	12 ⁹ / ₁₆	183.00	ZF5500	11 ³ / ₁₆	1 ¹ / ₈	1 ³ / ₁₆	11 ³ / ₁₆	156.00	7	7	16 ¹ / ₂	7 ⁷ / ₈	1 ¹ / ₂	7 ¹ / ₁₆	³ / ₄
	125.00	ZFS5125MM	319.09	25.00	18.25	319.090	83.00	ZF5125MM	284.16	28.00	29.37	284.160	72.00	177.80	177.80	419.10	200.03	38.10	179.39	19.05
	130.00	ZFS5130MM						ZF5130MM					71.00							

Additional Notes

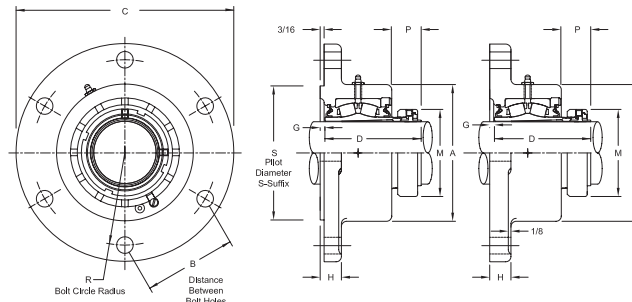
Please call 1-866-REXNORD for availability
 Metric bore sizes available, see Rex Interchangeability guide
 Lubrication fitting tap size: for size code 4 thru 11, 1/8" PT; for all other size codes, 1/4" PT
 Bore size = nominal shaft size +.001 in/-.000 in (+0.03 mm/-0.00 mm)
 Machined pilot available, add suffix S
 Expansion - size code 4 thru 8 is 3/8", size code 9 thru 11 is 1/2" & size code 12 thru 13 is 3/4"
 Seals - To specify K or M seal, replace "Z" in part number with "K" or "M"

"K" seals only available in size codes 4 thru 11
 Auxiliary end caps - available in all size codes except for size codes 4 thru 6 on flange side of piloted bearings and size code 12 ZFS bearings
 Pilot Diameter tolerance, +.000 in/-.003 in (+0.00 mm/-0.08 mm)
 For the Selection Guide, Load Ratings and Speed Limits, see the Rex Spherical Roller Bearings Engineering section
 Note: Dimensions subject to change. Certified dimensions of ordered material furnished on request.

ZF6000, ZFS6000



Photo Shows a 4-Bolt Spherical Roller Bearing Flanged Unit



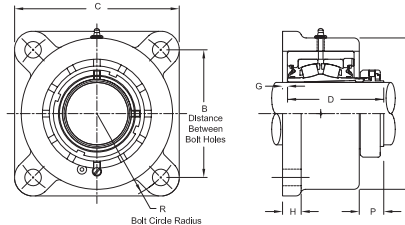
Six Bolt Round Flange Block

Side View Flange Block With Pilot

Full Side View Flange Block Fixed

Product Features

- Spyglass™ Optical Strain Sensor (OSS) Technology
- Positive locking system
- Tapered adapter sleeve
- Corrosion-resistant powder coating
- Cast iron housing
- Misalignment capabilities - total of 4°
- Broad range of sealing options
- Factory set clearance & lubrication
- Precision ground & superfinished raceways
- See Features & Benefits for additional info.



Four Bolt Square Flange Block

Full Side View Square Flange Block Floating

Bearing Dimensions

Size Code	Shaft Diameter	Expansion						Fixed						B Distance Between Bolt Holes	R Bolt Circle Radius	C	D	H	M	
		Part Number	A	F Bolts	P	S	Approx. Weight	Part Number	A	F Bolts	P	S	Approx. Weight							
4-Bolt Square																				
4	1 7/16	ZFS6107	4 7/16		1 9/64	4 7/16	7.10	ZF6107	4 7/16		1 9/64	3 9/16	7.10	3 23/32	2 5/8	4 15/16	3 21/64		2 25/64	
5	1 11/16	ZFS6111	5	1/2	1 9/32	4 3/4	9.10	ZF6111	4 3/4	1/2	1 9/32	4 1/16	9.10	3 57/64	2 3/4	5 1/8	3 47/64	5/8	2 41/64	
6	1 15/16	ZFS6115	5 1/8		1	5 1/8	12.80	ZF6115	4 1/2		1 1/8	4 3/8	10.40	4 1/16	2 7/8	5 5/16	3 41/64		2 55/64	
	45.00	ZFS6045MM	130.18	13.00	25.40	130.180	5.80	ZF6045MM	114.30	13.00	28.58	111.130	4.70	103.19	73.03	134.94	92.47	15.88	72.63	
7	2 3/16	ZFS6203	5 3/4	5/8	1 1/16	5 5/8	17.30	ZF6203	5	5/8	1 5/32	5	13.70	4 1/2	3 3/16	5 7/8	3 11/16	1 1/16	3 15/64	
	55.00	ZFS6055MM	146.05	16.00	26.99	142.880	7.80	ZF6055MM	127.00	16.00	29.37	127.000	6.20	114.30	80.96	149.23	93.66	17.46	82.15	
8	2 3/8	ZFS6206		6	5/8	1 19/64	6	20.60	ZF6206				17.80							
	2 7/16	ZFS6207		6	5/8	1 19/64	6	20.30	ZF6207	5 1/2	5/8	1 27/64	5 7/16	17.50	5 1/32	3 9/16	6 7/16	4 1/16	3/4	3 19/32
9	2 11/16	ZFS6211					35.40	ZF6211					29.90							
	2 3/4	ZFS6212	7 1/8	3/4	1 17/64	7 1/8	34.70	ZF6212	6 1/2	3/4	1 25/64	6 5/16	29.20	6 1/64	4 1/4	7 3/4	4 17/32	7/8	4 3/32	
10	2 15/16	ZFS6215					34.10	ZF6215					28.90							
	70.00	ZFS6070MM	180.98	19.00	32.15	180.980	15.50	ZF6070MM	165.10	19.00	35.32	160.340	13.10	152.80	107.95	196.85	115.09	22.23	103.98	
11	3 3/16	ZFS6303		8	3/4	1 15/32	8	47.00	ZF6303	7 3/8	3/4	1 19/32	7 3/8	40.00	6 23/32	4 3/4	8 7/16	5 1/32	1	4 61/64
	3 7/16	ZFS6307		8	3/4	1 15/32	8	45.50	ZF6307	7 3/8	3/4	1 19/32	7 3/8	38.00	6 23/32	4 3/4	8 7/16	5 1/32	1	4 61/64
12	80.00	ZFS6080MM	203.20	19.00	37.31	203.200	21.30	ZF6080MM	187.33	19.00	40.48	187.330	18.10	170.67	120.65	214.31	127.79	25.40	125.81	
	85.00	ZFS6085MM					20.60	ZF6085MM					17.20							
13	3 11/16	ZFS6311	9 1/2	1	1 39/64	9 1/2	80.00	ZF6311	8 7/8	1	1 47/64	8 7/8	71.00	8 5/16	5 7/8	10 9/16	5 25/32	1 1/8	5 43/64	
	3 15/16	ZFS6315					77.00	ZF6315					69.00							
100.00	ZFS6100MM	241.30	25.00	40.87	241.300	35.00	ZF6100MM	225.43	25.00	44.05	225.430	31.30	211.14	149.23	268.29	146.84	28.58	144.07		
6-Bolt Round																				
12	4 3/16	ZFS6403Y	11 5/8	1	1 3/4	11 5/8	127.00	ZF6403Y	9 1/2	1	1 7/8	10 3/8	98.00	6 7/16	6 7/16	15 1/8	6 1/4	1 1/4	6 1/16	
	4 7/16	ZFS6407Y					124.00	ZF6407Y					96.00							
13	110.00	ZFS6110MM	295.28	25.00	44.45	295.280	56.00	ZF6110MM	241.30	25.00	47.63	263.530	43.50	163.51	163.51	384.18	158.75	31.75	153.99	
	4 15/16	ZFS6415	12 9/16	1	2 1/64	12 9/16	184.00	ZF6415	11 3/16	1 1/8	2 1/4	11 3/16	159.00	7	7		7 15/16	1 1/2	6 61/64	
125.00	ZFS6125MM	319.09	25.00	51.20	319.090	83.00	ZF6125MM	284.16	28.00	57.15	284.160	72.00	177.80	177.80	419.10	201.61	38.10	176.61		

Additional Notes

- Please call 1-866-REXNORD for availability
- Lubrication fitting tap size: for size code 6 thru 11, 1/8" PT; for all other size codes, 1/4" PT
- Machined pilot available, add suffix S
- Expansion - size code 6 thru 8 is 3/8", size code 9 thru 11 is 1/2" & size code 12 thru 13 is 3/4"
- Seals - To specify K or M seal, replace "Z" in part number with "K" or "M"
- "K" seals only available in size codes 6 thru 11

- Auxiliary end caps - available in all size codes except for size code 6 on flange side of piloted bearings and size code 12 ZFS bearings
- For the Selection Guide, Load Ratings and Speed Limits, see the Rex Spherical Roller Bearings Engineering section
- Note: Dimensions subject to change. Certified dimensions of ordered material furnished on request.

ZF9000, ZFS9000

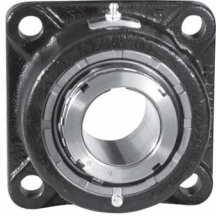
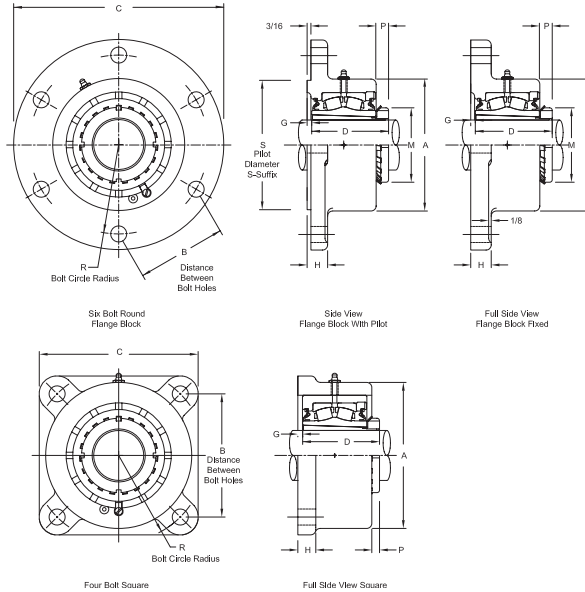


Photo Shows a 4-Bolt Spherical Roller Bearing Flanged Unit



Product Features

- Corrosion-resistant powder coating
- Cast iron housing
- Misalignment capabilities - total of 4°
- Broad range of sealing options
- Factory set clearance & lubrication
- Precision ground & superfinished raceways
- Enhanced life mounting style
- Field interchangeable seals
- Fixed or Expansion - up to 3/4" expansion
- See Features & Benefits for additional info.

Bearing Dimensions

Size Code	Shaft Diameter	Flange Block - Expansion							Flange Block - Fixed							B Distance Between Bolt Holes	R Bolt Circle Radius	C	D	H	M
		Part Number	A	F Bolts	G	P	S	Approx. Weight	Part Number	A	F Bolts	G	P	S	Approx. Weight						
4-Bolt Square																					
7	1 15/16	ZFS9115	5 3/4	5/8	5/16	5/16	5 5/8	16.00	ZF9115	5	5/8	11/64	19/32	5	12.90	4 1/2	3 3/16	5 7/8	3 5/32	11/16	2 31/32
	2	ZFS9200					15.00	ZF9200						12.70							
	45.00	ZFS9045MM	146.05	16.00	7.94	7.94	142.880	7.20	ZF9045MM	127.00	16.00	4.34	15.08	127.000	6.70						
	50.00	ZFS9050MM						7.00	ZF9050MM						5.80						
8	2 3/16	ZFS9203	6	5/8	5/16	11/32	6	19.00	ZF9203	5 1/2	5/8	1/4	23/32	5 7/16	16.40	5 1/32	3 9/16	6 7/16	3 11/32	3/4	3 3/8
	55.00	ZFS9055MM	152.40	16.00	7.94	8.73	152.400	8.60	ZF9055MM	139.70	16.00	6.35	18.26	138.110	7.50	127.80	90.49	163.51	84.93	19.05	85.73
9	2 7/16	ZFS9207	7 1/8	3/4	1/4	15/32	7 1/8	31.00	ZF9207	6 1/2	3/4	15/64	5/8	6 5/16	26.60	6 1/64	4 1/4	7 3/4	3 3/4	7/8	3 5/8
	2 1/2	ZFS9208						26.40	ZF9208						26.40						
10	2 11/16	ZFS9211						45.30	ZF9211						37.60	6 23/32	4 3/4	8 7/16	4 1/4	1	4 13/32
	2 15/16	ZFS9215	8	3/4	3/8	7/16	8	44.00	ZF9215	7 3/8	3/4	1/4	13/16	7 3/8	37.00						
	3	ZFS9300						43.00	ZF9300						36.60						
	75.00	ZFS9075MM	203.20	19.00	9.53	11.11	203.200	20.00	ZF9075MM	187.33	19.00	6.35	20.64	187.330	16.80						
11	3 3/16	ZFS9303	9 1/2	1	3/8	9/16	9 1/2	79.00	ZF9303	8 7/8	1	1/4	15/16	8 7/8	66.00	8 5/16	5 7/8	10 9/16	5	1 1/8	5 3/16
	3 7/16	ZFS9307						76.00	ZF9307						65.00						
	80.00	ZFS9080MM	241.30	25.00	9.53	14.29	241.300	36.00	ZF9080MM	225.43	25.00	6.35	23.81	225.430	30.00	211.14	149.23	268.29	127.00	28.58	131.76
6-Bolt Round																					
12	3 11/16	ZFS9311Y						126.00	ZF9311Y						96.00	6 7/16	6 7/16	15 1/8	5 17/32	1 1/4	5 23/32
	3 15/16	ZFS9315Y	11 5/8	1	3/16	23/32	11 5/8	124.00	ZF9315Y	9 1/2	1	1/8	1 1/32	10 3/8	94.00						
	4	ZFS9400Y						123.00	ZF9400Y						93.00						
	100.00	ZFS9100MM	295.28	25.00	4.76	18.25	295.280	56.00	ZF9100MM	241.30	25.00	3.18	26.19	263.530	43.00						
13	4 3/16	ZFS9403						184.00	ZF9403						159.00	7	7	16 1/2	6 3/4	1 1/2	6 1/8
	4 7/16	ZFS9407	12 9/16	1	5/16	5/8	12 9/16	182.00	ZF9407	11 3/16	1 1/8	9/32	1 1/8	11 3/16	157.00						

Additional Notes

- Please call 1-866-REXNORD for availability
- Lubrication fitting tap size: for size code 7 thru 11, 1/8" PT; for all other size codes, 1/4" PT
- Machined pilot available, add suffix S
- Expansion - size code 7 thru 8 is 3/8", size code 9 thru 11 is 1/2" & size code 12 thru 13 is 3/4"
- Seals - To specify K or M seal, replace "Z" in part number with "K" or "M"
- "K" seals only available in size codes 7 thru 11

- Auxiliary end caps - available in all size codes except size code 12 ZFS bearings
- Selection Guide, see Rex Spherical Roller Bearings Selection Guide section
- Load Ratings & Speed Limits, see Rex Spherical Roller Bearings Load Ratings & Speed Limits section
- Note: Dimensions subject to change. Certified dimensions of ordered material furnished on request.

ZEF2000

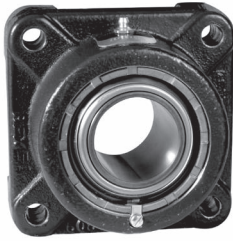
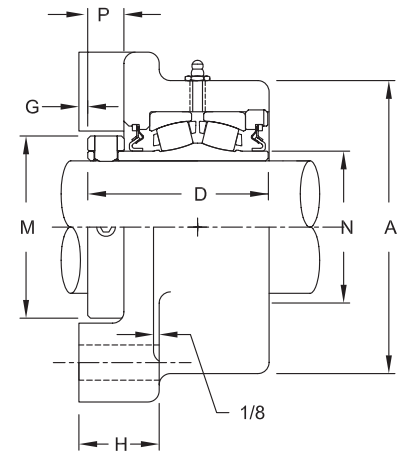
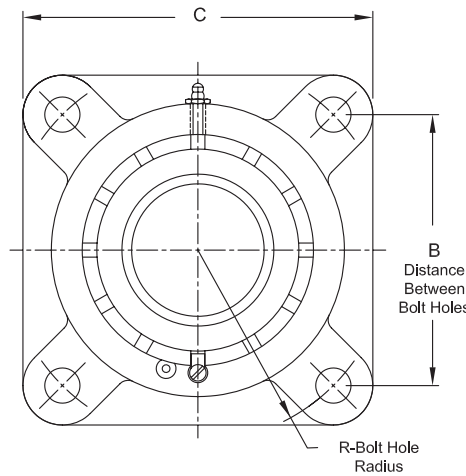


Photo Shows a 4-Bolt Spherical Roller Bearing Flanged Unit

Product Features

- Corrosion-resistant powder coating
- Cast iron housing
- Misalignment capabilities - total of 4°
- Broad range of sealing options
- Factory set clearance & lubrication
- Precision ground & superfinished raceways
- Hardened spring locking collar
- Field interchangeable seals
- See Features & Benefits for additional info.



Bearing Dimensions

Size Code	Shaft Diameter	Part Number	B Distance Between Bolt Holes	R Bolt Circle Radius	A	C	D	F Bolts	G	H	M	N	Approx. Weight										
4	1 7/16	ZEF2107	3 1/2	2 15/32	3 11/16	4 5/8	2 7/8	1/2	1/16	1 3/8	2 5/16	1 3/4	7.20										
	1 1/2	ZEF2108	4 1/8	2 59/64	4 1/4	5 3/8							10.00										
	35.00	ZEF2035MM	88.90	62.69	93.66	117.48	73.02	13.00	1.59	34.93	58.74	44.450	3.20										
5	1 11/16	ZEF2111	4 1/8	2 59/64	4 1/4	5 3/8	3 1/8	1/2	1/8	1 7/16	2 19/32	2 1/32	10.00										
	1 3/4	ZEF2112	4 3/8	3 3/32	4 1/2	5 5/8							11.20										
	40.00	ZEF2040MM	104.78	74.24	107.95	136.53	79.38	13.00	3.18	36.51	65.88	51.590	4.50										
	45.00	ZEF2045MM	111.13	78.59	114.30	142.88							38.10	5.00									
6	1 15/16	ZEF2115	4 3/8	3 3/32	4 1/2	5 5/8	3 1/8	1/2	1/8	1 1/2	2 7/8	2 5/16	11.00										
	2	ZEF2200											10.80										
7	50.00	ZEF2050MM	111.13	78.59	114.30	142.88	79.38	13.00	3.18	38.10	73.03	58.740	4.90										
	2 3/16	ZEF2203	4 7/8	3 29/64	5	6 1/4	3 9/16	5/8	1/8	1 1/2	3 1/4	2 5/8	14.10										
8	55.00	ZEF2055MM	123.83	87.71	127.00	158.75	84.14	16.00	3.18	38.10	82.55	66.680	6.40										
	2 7/16	ZEF2207	5 3/8	3 51/64	5 1/2	6 7/8	3 1/2	5/8	3/16	1 11/16	3 9/16	2 29/32	17.30										
	2 1/2	ZEF2208											17.10										
	60.00	ZEF2060MM	135.53	96.42	139.70	174.63	88.90	16.00	4.76	42.86	90.49	73.810	7.80										
65.00	ZEF2065MM	7.50																					
9	2 11/16	ZEF2211	6	4 1/4	6 1/2	7 3/4	4	3/4	3/16	1 13/16	4 1/16	3 3/8	28.40										
	2 3/4	ZEF2212											28.20										
	2 15/16	ZEF2215											27.20										
	3	ZEF2300											26.90										
	70.00	ZEF2070MM											152.40	107.95	165.10	196.85	101.60	19.00	4.76	46.04	103.19	85.730	12.80
75.00	ZEF2075MM	12.40																					
10	3 3/16	ZEF2303	7	4 61/64	7 3/8	9 1/4	4 3/8	3/4	1/4	1 15/16	4 29/32	3 31/32	42.00										
	3 7/16	ZEF2307											40.50										
	3 1/2	ZEF2308											40.00										
	80.00	ZEF2080MM											177.80	125.81	187.33	234.95	111.13	19.00	6.35	49.20	124.62	100.790	19.00
	85.00	ZEF2085MM																					18.60
90.00	ZEF2090MM	18.10																					
11	3 11/16	ZEF2311	7 3/4	5 31/64	8 7/8	10 1/4	5 1/16	7/8	1/4	2 3/16	5 5/8	4 9/16	64.00										
	3 15/16	ZEF2315											69.00										
	4	ZEF2400											68.00										
	100.00	ZEF2100MM											196.85	139.29	225.43	260.35	128.59	22.00	6.35	55.56	142.88	115.890	31.30

Additional Notes

- Please call 1-866-REXNORD for availability
- Metric bore sizes available, see Rex Interchangeability guide
- Lubrication fitting tap size, 1/8" PT
- Bore size = nominal shaft size +.001 in/-.000 in (+0.03 mm/-0.00 mm)
- Seals - To specify K or M seal, replace "Z" in part number with "K" or "M"
- Auxiliary end caps - available in all size codes
- Selection Guide, see Rex Spherical Roller Bearings Selection Guide section

Load Ratings & Speed Limits, see Rex Spherical Roller Bearings Load Ratings & Speed Limits section
 Note: Dimensions subject to change. Certified dimensions of ordered material furnished on request.

ZEF3000

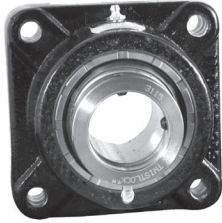
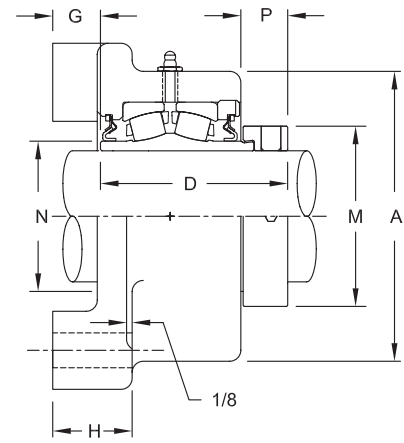
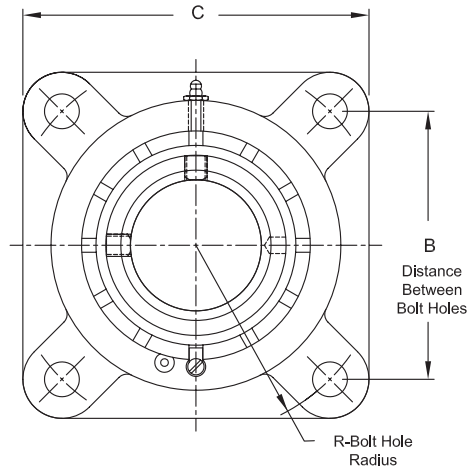


Photo Shows a 4-Bolt Spherical Roller Bearing Flanged Unit

Product Features

- Corrosion-resistant powder coating
- Cast iron housing
- Misalignment capabilities - total of 4°
- Broad range of sealing options
- Factory set clearance & lubrication
- Precision ground & superfinished raceways
- Hardened eccentric locking collar
- Field interchangeable seals
- See Features & Benefits for additional info.



Bearing Dimensions

Size Code	Shaft Diameter	Part Number	B Distance Between Bolt Holes	R Bolt Circle Radius	A	C	D	F Bolts	G	H	M	N	P	Approx. Weight
4	1 7/16	ZEF3107	3 1/2	2 15/32	3 11/16	4 5/8	2 59/64	1/2	3/4	1 3/8	2 5/16	1 3/4	25/32	7.40
5	1 11/16	ZEF3111	4 1/8	2 59/64	4 1/4	5 3/8	3 3/16	1/2	13/16	1 7/16	2 5/8	2 1/32	3/4	10.30
6	1 15/16	ZEF3115	4 3/8	3 3/32	4 1/2	5 3/8	3 9/32	1/2	7/8	1 1/2	2 3/4	2 5/16	27/32	11.20
7	2 3/16	ZEF3203	4 7/8	3 29/64	5	6 1/4	3 1/2	5/8	15/16	1 1/2	3 1/4	2 5/8	31/32	11.00
8	2 7/16	ZEF3207	5 3/8	3 51/64	5 1/2	6 7/8	3 21/32	5/8	1 1/16	1 11/16	3 9/16	2 29/32	1 1/64	17.50
	2 1/2	ZEF3208												16.50
9	2 11/16	ZEF3211	6	4 1/4	6 1/2	7 3/4	4 13/64	3/4	1 1/16	1 13/16	4 1/16	3 3/8	1 1/64	28.60
	2 15/16	ZEF3215												27.60
10	3 7/16	ZEF3307	7	4 61/64	7 3/8	9 1/4	4 37/64	3/4	1 11/64	1 15/16	4 15/16	3 31/32	1 9/64	41.10
	3 1/2	ZEF3308												40.20
11	3 15/16	ZEF3315	7 3/4	5 31/64	8 7/8	10 1/4	5 3/16	7/8	1 5/16	2 3/16	5 5/8	4 9/16	1 1/16	62.70

Additional Notes

- Please call 1-866-REXNORD for availability
- Lubrication fitting tap size, 1/8" PT
- Bore size = nominal shaft size +.001 in/-.000 in (**+0.03 mm/-0.00 mm**)
- Seals - To specify K or M seal, replace "Z" in part number with "K" or "M"
- Auxiliary end caps - available in all size codes
- For the Selection Guide, Load Ratings and Speed Limits, see the Rex Spherical Roller Bearings Engineering section

Note: Dimensions subject to change. Certified dimensions of ordered material furnished on request.

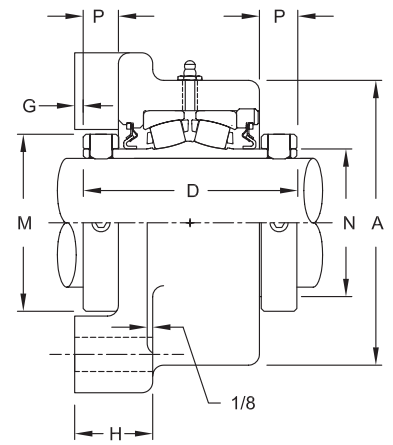
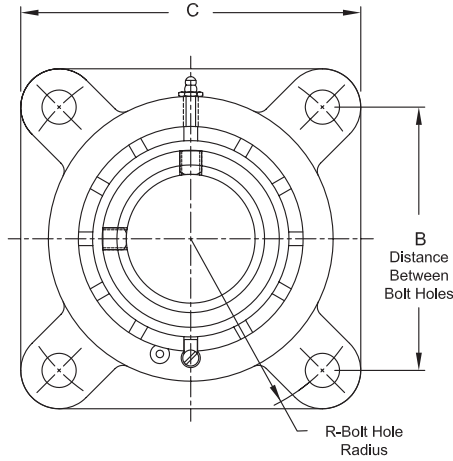
ZEF5000



Photo Shows a 4-Bolt Spherical Roller Bearing Flanged Unit

Product Features

- Corrosion-resistant powder coating
- Cast iron housing
- Misalignment capabilities - total of 4°
- Broad range of sealing options
- Factory set clearance & lubrication
- Precision ground & superfinished raceways
- Two hardened spring locking collars
- Field interchangeable seals
- See Features & Benefits for additional info.



Bearing Dimensions

Size Code	Shaft Diameter	Part Number	B Distance Between Bolt Holes	R Bolt Circle Radius	A	C	D	F Bolts	G	H	M	N	P	Approx. Weight
4	1 7/16	ZEF5107	3 1/2	2 15/32	3 11/16	4 5/8	3 9/16	1/2	1/16	1 3/8	2 5/16	1 3/4	11/16	7.70
	35.00	ZEF5035MM	88.90	62.69	93.66	117.48	90.49	13.00	1.59	34.93	58.74	44.450	17.46	3.50
5	1 1/2	ZEF5108	4 1/8	2 59/64	4 1/4	5 3/8	3 13/16	1/2	1/8	1 7/16	2 19/32	2 1/32	11/16	11.00
	1 11/16	ZEF5111												10.60
	40.00	ZEF5040MM	104.78	74.24	107.95	136.53	96.84	13.00	3.18	36.51	65.88	51.590	17.46	5.00
	45.00	ZEF5045MM												4.80
6	1 15/16	ZEF5115	4 3/8	3 3/32	4 1/2	5 5/8	3 13/16	1/2	1/8	1 1/2	2 7/8	2 5/16	11/16	11.70
	50.00	ZEF5050MM	111.13	78.59	114.30	142.88	96.84	13.00	3.18	38.10	73.03	58.740	17.46	5.30
7	2	ZEF5200	4 7/8	3 29/64	5	6 1/4	4 1/8	5/8	1/8	1 1/2	3 1/4	2 5/8	13/16	15.70
	2 3/16	ZEF5203												15.10
	55.00	ZEF5055MM	123.83	87.71	127.00	158.75	104.78	16.00	3.18	38.10	82.60	66.680	20.64	6.80
8	2 7/16	ZEF5207	5 3/8	3 51/64	5 1/2	6 7/8	4 3/8	5/8	3/16	1 11/16	3 9/16	2 29/32	7/8	18.30
	60.00	ZEF5060MM	135.53	96.42	139.70	174.63	111.13	16.00	4.76	42.86	90.50	73.810	22.23	8.30
	65.00	ZEF5065MM												8.10
9	2 1/2	ZEF5208	6	4 1/4	6 1/2	7 3/4	4 7/8	3/4	3/16	1 13/16	4 1/16	3 3/8	7/8	31.10
	2 11/16	ZEF5211												30.10
	2 15/16	ZEF5215												29.60
	70.00	ZEF5070MM	152.40	107.95	165.10	196.85	123.83	19.00	4.76	46.04	103.20	85.730	22.23	13.70
	75.00	ZEF5075MM												13.40
10	3 3/16	ZEF5303	7	4 61/64	7 3/8	9 1/4	5 5/16	3/4	1/4	1 15/16	4 29/32	3 31/32	15/16	44.60
	3 7/16	ZEF5307												42.70
	80.00	ZEF5080MM												20.20
	85.00	ZEF5085MM	177.80	125.81	187.33	234.95	134.94	19.00	6.35	49.20	124.62	100.790	23.81	19.80
	90.00	ZEF5090MM												19.40
11	3 11/16	ZEF5311	7 3/4	5 31/64	8 7/8	10 1/4	6 1/8	7/8	1/4	2 3/16	5 5/8	4 9/16	1 1/32	66.50
	3 15/16	ZEF5315												65.50
	4	ZEF5400												64.50
	100.00	ZEF5100MM	196.85	139.29	225.43	260.35	155.58	22.00	6.35	55.56	142.90	115.890	26.19	29.70

Additional Notes

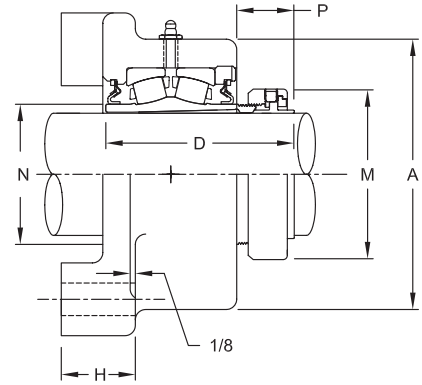
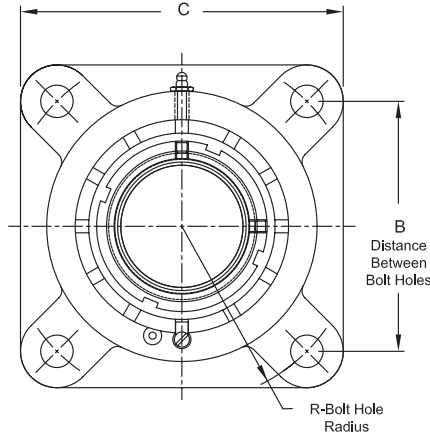
- Please call 1-866-REXNORD for availability
- Metric bore sizes available, see Rex Interchangeability guide
- Lubrication fitting tap size, 1/8" PT
- Bore size = nominal shaft size +.001 in/- .000 in (+0.03 mm/-0.00 mm)
- Seals - To specify K or M seal, replace "Z" in part number with "K" or "M"
- Auxiliary end caps - available in all size codes
- For the Selection Guide, Load Ratings and Speed Limits, see the Rex Spherical Roller Bearings Engineering section

Note: Dimensions subject to change. Certified dimensions of ordered material furnished on request.

ZEF6000



Photo Shows a 4-Bolt Spherical Roller Bearing Flanged Unit



Product Features

- Spyglass™ Optical Strain Sensor (OSS) Technology
- Positive locking system
- Tapered adapter sleeve
- Corrosion-resistant powder coating
- Cast iron housing
- Misalignment capabilities - total of 4°
- Broad range of sealing options
- Factory set clearance & lubrication
- Precision ground & superfinished raceways
- See Features & Benefits for additional info.

Bearing Dimensions

Size Code	Shaft Diameter	Part Number	B Distance Between Bolt Holes	R Bolt Circle Radius	A	C	D	F Bolts	H	M	N	P	Approx. Weight
4-Bolt													
4	1 7/16	ZEF6107	3 1/2	2 15/32	3 11/16	4 5/8	3 21/64	1/2	1 3/8	2 25/64	1 3/4	1 9/64	7.20
5	1 11/16	ZEF6111	4 1/8	2 59/64	4 1/4	5 3/8	3 47/64		1 7/16	2 41/64	2 1/32	1 9/32	10.00
6	1 15/16	ZEF6115	4 3/8	3 3/32	4 1/2	5 5/8	3 41/64	1 1/2	2 55/64	2 5/16	1 1/8	11.70	
	45.00	ZEF6045MM	111.13	78.59	114.30	142.88	92.47	13.00	38.10	72.63	58.740	28.58	4.80
7	2 3/16	ZEF6203	4 7/8	3 29/64	5	6 1/4	3 11/16	5/8	1 1/2	3 15/64	2 5/8	1 5/32	15.70
	55.00	ZEF6055MM	123.83	87.71	127.00	158.75	93.66	16.00	38.10	82.15	66.680	29.37	6.80
8	2 3/8	ZEF6206	5 3/8	3 51/64	5 1/2	6 7/8	4 1/16	5/8	1 11/16	3 19/32	2 29/32	1 27/64	18.90
	2 7/16	ZEF6207											18.30
9	60.00	ZEF6060MM	135.53	96.42	139.70	174.63	103.19	16.00	42.86	91.28	73.810	36.12	8.30
	2 11/16	ZEF6211	6	4 1/4	6 1/2	7 3/4	4 17/32	3/4	1 13/16	4 3/32	3 3/8	1 25/64	31.10
	2 3/4	ZEF6212											30.10
	2 15/16	ZEF6215											29.60
70.00	ZEF6070MM	152.40											107.95
75.00	ZEF6075MM	177.80	125.81	187.33	234.95	127.79	19.00	49.20	125.81	100.790	40.48	19.80	
10	3 3/16	ZEF6303	7	4 61/64	7 3/8	9 1/4	5 1/32	3/4	1 15/16	4 61/64	3 31/32	1 19/32	44.60
	3 7/16	ZEF6307											42.70
	80.00	ZEF6080MM											177.80
85.00	ZEF6085MM	177.80	125.81	187.33	234.95	127.79	19.00	49.20	125.81	100.790	40.48	19.80	
11	3 11/16	ZEF6311	7 3/4	5 31/64	8 7/8	10 1/4	5 25/32	7/8	2 3/16	5 43/64	4 9/16	1 47/64	66.50
	3 15/16	ZEF6315											65.50
	100.00	ZEF6100MM											196.85

Additional Notes

- Please call 1-866-REXNORD for availability
- Lubrication fitting tap size, 1/8" PT
- Seals - To specify K or M seal, replace "Z" in part number with "K" or "M"
- Auxiliary end caps - available in all size codes
- For the Selection Guide, Load Ratings and Speed Limits, see the Rex Spherical Roller Bearings Engineering section
- Note: Dimensions subject to change. Certified dimensions of ordered material furnished on request.

ZEF9000

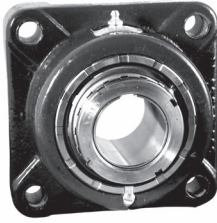
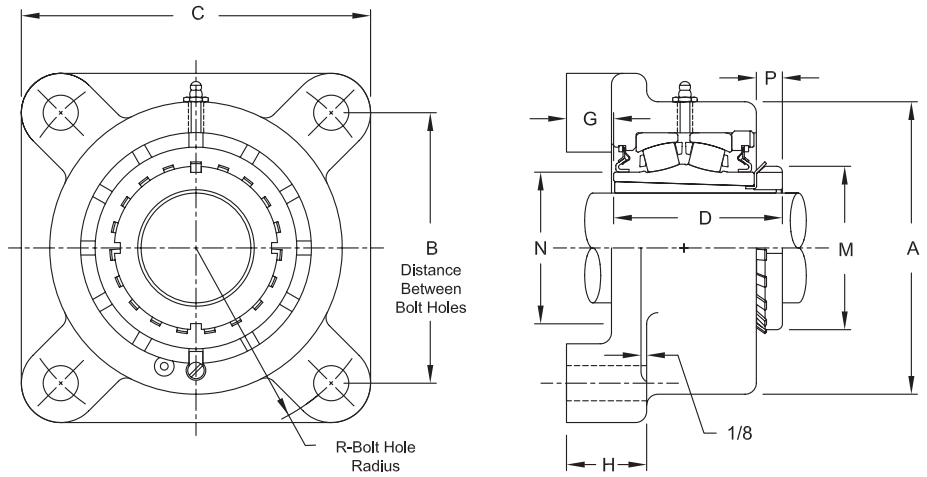


Photo Shows a 4-Bolt Spherical Roller Bearing Flanged Unit

Product Features

- Corrosion-resistant powder coating
- Cast iron housing
- Misalignment capabilities - total of 4°
- Broad range of sealing options
- Factory set clearance & lubrication
- Precision ground & superfinished raceways
- Enhanced life mounting style
- Field interchangeable seals
- See Features & Benefits for additional info.



Bearing Dimensions

Size Code	Shaft Diameter	Part Number	B Distance Between Bolt Holes	R Bolt Circle Radius	A	C	D	F Bolts	G	H	M	N	P	Approx. Weight
7	1 15/16	ZEF9115	4 7/8	3 29/64	5	6 1/4	3 5/32	5/8	15/16	1 1/2	2 31/32	2 5/8	19/32	14.30
	2	ZEF9200												14.20
	45.00	ZEF9045MM	123.83	87.71	127.00	158.75	80.17	16.00	23.81	38.10	75.40	66.680	15.08	6.50
8	2 3/16	ZEF9203	5 3/8	3 51/64	5 1/2	6 7/8	3 11/32	5/8	1 1/16	1 11/16	3 3/8	2 29/32	23/32	17.60
	55.00	ZEF9055MM	135.53	96.42	139.70	174.63	84.93	16.00	26.99	42.86	85.73	73.810	18.26	8.00
9	2 7/16	ZEF9207	6	4 1/4	6 1/2	7 3/4	3 3/4	3/4	1 1/16	1 13/16	3 5/8	3 3/8	5/8	27.70
	2 1/2	ZEF9208												27.40
10	2 11/16	ZEF9211	7	4 61/64	7 3/8	9 1/4	4 1/4	3/4	1 11/64	1 15/16	4 13/32	3 31/32	13/16	42.30
	2 15/16	ZEF9215												41.10
	3	ZEF9300												40.40
	75.00	ZEF9075MM												177.80
11	3 3/16	ZEF9303	7 3/4	5 31/64	8 7/8	10 1/4	5	7/8	1 5/16	2 3/16	5 3/16	4 9/16	15/16	67.00
	3 7/16	ZEF9307												65.00
	80.00	ZEF9080MM												196.85

Additional Notes

- Please call 1-866-REXNORD for availability
- Lubrication fitting tap size, 1/8" PT
- Seals - To specify K or M seal, replace "Z" in part number with "K" or "M"
- Auxiliary end caps - available in all size codes
- For the Selection Guide, Load Ratings and Speed Limits, see the Rex Spherical Roller Bearings Engineering section
- Note: Dimensions subject to change. Certified dimensions of ordered material furnished on request.

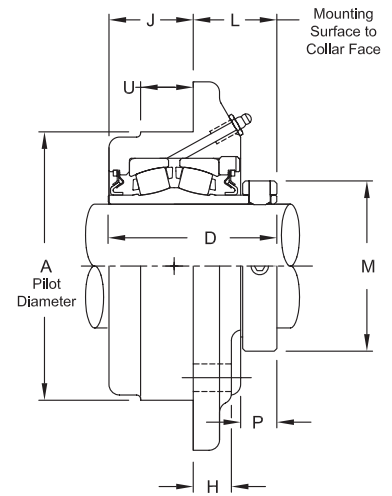
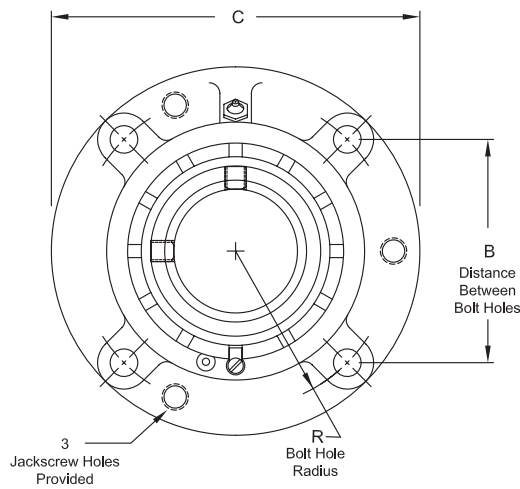
ZBR2000



Photo Shows a 4-Bolt Spherical Roller Bearing Flanged Cartridge Unit

Product Features

- Corrosion-resistant powder coating
 - Cast iron housing
 - Misalignment capabilities - total of 4°
 - Broad range of sealing options
 - Factory set clearance & lubrication
 - Precision ground & superfinished raceways
 - Hardened spring locking collar
 - Field interchangeable seals
- See Features & Benefits for additional info.



Bearing Dimensions

Size Code	Shaft Diameter	Part Number	A Pilot Diameter	B Distance Between Bolt Holes	L Mounting Surface to Collar Face	R Bolt Circle Radius	C	D	F Bolts	H	J	M	P	U	Approx. Weight
4-Bolt															
2	3/4	ZBR2012	3.000	2 9/16	1 5/16	1 13/16	4 3/8	2 9/16	5/16	7/16	1 1/4	1 3/4	9/16	5/8	3.70
	15/16	ZBR2015													3.60
	1	ZBR2100													3.50
	25.00	ZBR2025MM	76.200	65.09	33.34	46.04	111.13	65.09	8.00	11.11	31.75	44.45	14.29	15.88	1.60
3	1 1/8	ZBR2102	3.375	2 59/64	1 5/16	2 1/16	5	2 11/16	3/8	7/16	1 3/8	1 31/32	9/16	3/4	4.90
	1 3/16	ZBR2103													4.80
	1 1/4	ZBR2104													4.60
	30.00	ZBR2030MM	85.725	74.19	33.34	52.39	127.00	68.26	9.00	11.11	34.93	50.00	14.29	19.05	2.20
4	1 7/16	ZBR2107	3.625	3 3/32	1 1/2	2 3/16	5 1/4	2 7/8	3/8	1/2	1 3/8	2 5/16	11/16	3/4	5.40
	1 1/2	ZBR2108													5.20
	35.00	ZBR2035MM													92.075
5	1 11/16	ZBR2111	4.250	3 5/8	1 19/32	2 9/16	6 1/8	3 3/8	7/16	1/2	1 17/32	2 19/32	11/16	7/8	8.40
	1 3/4	ZBR2112													8.10
	40.00	ZBR2040MM													107.950
	45.00	ZBR2045MM													3.70
6	1 15/16	ZBR2115	4.500	3 51/64	1 9/16	2 11/16	6 3/8	3 1/8	7/16	9/16	1 9/16	2 7/8	11/16	7/8	8.80
	2	ZBR2200													8.70
	50.00	ZBR2050MM													114.300
7	2 3/16	ZBR2203	5.000	4 1/4	1 3/4	3	7 1/8	3 5/16	1/2	9/16	1 9/16	3 1/4	13/16	1	13.80
	2 1/4	ZBR2204													13.70
	55.00	ZBR2055MM													127.000
8	2 3/8	ZBR2206	5.500	4 19/32	1 13/16	3 1/4	7 5/8	3 1/2	1/2	5/8	1 11/16	3 9/16	7/8	1	14.90
	2 7/16	ZBR2207													14.80
	2 1/2	ZBR2208													14.40
	60.00	ZBR2060MM	139.700	116.66	46.04	82.55	193.68	88.90	13.00	15.88	42.86	90.49	22.23	25.40	6.80
	65.00	ZBR2065MM													6.50
9	2 11/16	ZBR2211	6.375	5 19/64	2	3 3/4	8 3/4	4	5/8	3/4	2	4 1/16	7/8	1 1/4	23.40
	2 3/4	ZBR2212													23.00
	2 15/16	ZBR2215													22.30
	70.00	ZBR2070MM	161.925	134.54	50.80	95.25	222.25	101.60	16.00	19.05	50.80	103.19	22.23	31.75	10.50
	75.00	ZBR2075MM													10.10
10	3 3/16	ZBR2303	7.375	6 3/32	2 3/8	4 5/16	10 1/4	4 3/8	3/4	15/16	2	4 29/32	15/16	1 1/4	35.50
	3 7/16	ZBR2307													34.00

Continued...

Continued...

Bearing Dimensions

Size Code	Shaft Diameter	Part Number	A Pilot Diameter	B Distance Between Bolt Holes	L Mounting Surface to Collar Face	R Bolt Circle Radius	C	D	F Bolts	H	J	M	P	U	Approx. Weight
4-Bolt (continued)															
10	3 1/2	ZBR2308	7.375	6 3/32	2 3/8	4 5/16	10 1/4	4 3/8	3/4	15/16	2	4 29/32	15/16	1 1/4	33.50
	80.00	ZBR2080MM	187.325	154.79	60.33	109.54	260.35	111.13	19.00	23.81	50.80	124.62	23.81	31.75	16.10
	85.00	ZBR2085MM													15.70
90.00	ZBR2090MM	15.20													
11	3 11/16	ZBR2311	8.125	6 5/8	2 11/16	4 11/16	10 7/8	5 1/16	3/4	1 1/8	2 1/2	5 5/8	1 1/32	1 1/2	52.00
	3 15/16	ZBR2315													49.00
	4	ZBR2400													48.50
	100.00	ZBR2100MM	206.375	168.28	68.26	119.06	276.23	128.59	19.00	28.58	63.50	142.88	26.19	38.10	22.20

Additional Notes

Please call 1-866-REXNORD for availability
 Metric bore sizes available, see Rex Interchangeability guide
 Lubrication fitting tap size, 1/8" PT
 Bore size = nominal shaft size +.001 in/- .000 in (+0.03 mm/-0.00 mm)
 Pilot Diameter tolerance, +.000 in/- .002 in (+0.00 mm/-0.05 mm)
 Bore tolerance for mounting, +.002 in/- .000 in (+0.05 mm/-0.00 mm)
 Seals - To specify K or M seal, replace "Z" in part number with "K" or "M"
 Auxiliary end caps - available in all size codes except for size codes 2 & 3

For the Selection Guide, Load Ratings and Speed Limits, see the Rex Spherical Roller Bearings Engineering section
 Note: Dimensions subject to change. Certified dimensions of ordered material furnished on request.

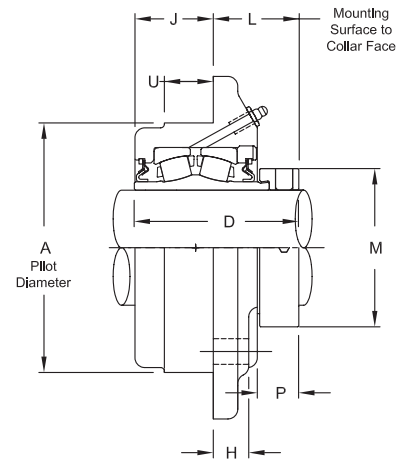
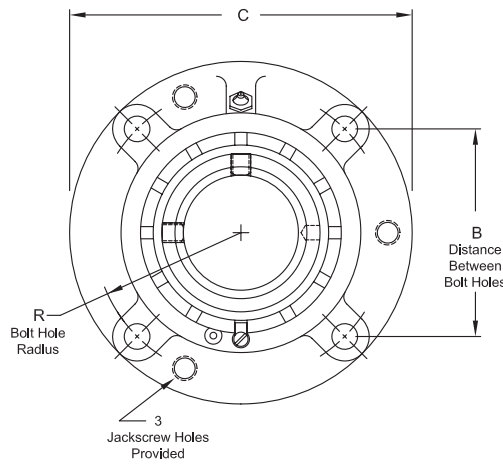
ZBR3000



Photo Shows a 4-Bolt Spherical Roller Bearing Flanged Cartridge Unit

Product Features

- Corrosion-resistant powder coating
- Cast iron housing
- Misalignment capabilities - total of 4°
- Broad range of sealing options
- Factory set clearance & lubrication
- Precision ground & superfinished raceways
- Eccentric locking collar
- Field interchangeable seals
- See Features & Benefits for additional info.



Bearing Dimensions

Size Code	Shaft Diameter	Part Number	A Pilot Diameter	B Distance Between Bolt Holes	L Mounting Surface to Collar Face	R Bolt Circle Radius	C	D	F Bolts	H	J	M	P	U	Approx. Weight
4-Bolt															
4	1 7/16	ZBR3107	3.625	3 3/32	1 1/2	2 3/16	5 1/4	2 59/64	3/8	1/2	1 3/8	2 5/16	25/32	3/4	5.60
5	1 11/16	ZBR3111	4.250	3 5/8	1 19/32	2 9/16	6 1/8	3 3/16	7/16	1/2	1 17/32	2 5/8	3/4	7/8	8.60
6	1 15/16	ZBR3115	4.500	3 51/64	1 23/32	2 11/16	6 3/8	3 9/32	7/16	9/16	1 9/16	2 15/16	27/32	7/8	9.00
7	2 3/16	ZBR3203	5.000	4 1/4	1 15/16	3	7 1/8	3 1/2	1/2	9/16	1 9/16	3 1/4	31/32	1	14.10
8	2 7/16	ZBR3207	5.500	4 19/32	1 31/32	3 1/4	7 5/8	3 21/32	1/2	5/8	1 11/16	3 9/16	1 1/64	1	15.00
	2 1/2	ZBR3208													14.60
9	2 11/16	ZBR3211	6.375	5 19/64	2 13/64	3 3/4	8 3/4	4 13/64	5/8	3/4	2	4 1/16	1 1/64	1 1/4	23.80
	2 15/16	ZBR3215													22.70
10	3 7/16	ZBR3307	7.375	6 3/32	2 37/64	4 5/16	10 1/4	4 37/64	3/4	15/16	2	4 15/16	1 9/64	1 1/4	34.40
	3 1/2	ZBR3308													33.90
11	3 15/16	ZBR3315	8.125	6 5/8	2 11/16	4 11/16	10 7/8	5 3/16	3/4	1 1/8	2 1/2	5 5/8	1 1/16	1 1/2	49.00

Additional Notes

- Please call 1-866-REXNORD for availability
- Lubrication fitting tap size, 1/8" PT
- Bore size = nominal shaft size +.001 in/-.000 in (+0.03 mm/-0.00 mm)
- Pilot Diameter tolerance, +.000 in/-.002 in (+0.00 mm/-0.05 mm)
- Bore tolerance for mounting, +.002 in/-.000 in (+0.05 mm/-0.00 mm)
- Seals - To specify K or M seal, replace "Z" in part number with "K" or "M"
- Auxiliary end caps - available in all size codes

For the Selection Guide, Load Ratings and Speed Limits, see the Rex Spherical Roller Bearings Engineering section
 Note: Dimensions subject to change. Certified dimensions of ordered material furnished on request.

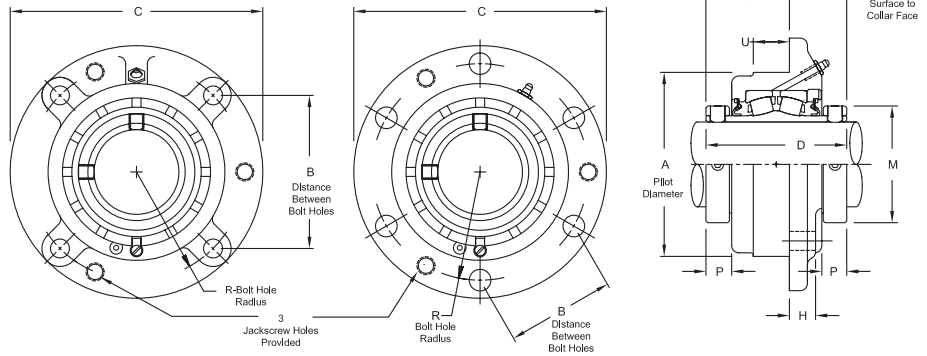
ZBR5000



Photo Shows a 4-Bolt Spherical Roller Bearing Flanged Cartridge Unit

Product Features

- Corrosion-resistant powder coating
- Cast iron housing
- Misalignment capabilities - total of 4°
- Broad range of sealing options
- Factory set clearance & lubrication
- Precision ground & superfinished raceways
- Two hardened spring locking collars
- Field interchangeable seals
- See Features & Benefits for additional info.



Bearing Dimensions

Size Code	Shaft Diameter	Part Number	A Pilot Diameter	B Distance Between Bolt Holes	L Mounting Surface to Collar Face	R Bolt Circle Radius	C	D	F Bolts	H	J	M	P	U	Approx. Weight
4-Bolt															
4	1 7/16	ZBR5107	3.625	53.19	1 1/2	2 3/16	5 1/4	3 9/16	3/8	1/2	2 1/16	2 5/16	11/16	3/4	5.90
	35.00	ZBR5035MM	92.075	53.19	38.10	55.56	133.35	90.49	9.00	12.70	52.39	58.74	17.46	19.05	2.70
5	1 1/2	ZBR5108	4.250	3 5/8	1 19/32	2 9/16	6 1/8	3 13/16	7/16	1/2	2 7/32	2 19/32	11/16	7/8	9.10
	1 11/16	ZBR5111													8.70
	40.00	ZBR5040MM	107.950	92.08	40.49	65.09	155.58	96.84	11.00	12.70	56.34	65.88	17.46	22.23	4.10
	45.00	ZBR5045MM													3.90
6	1 15/16	ZBR5115	4.500	3 51/64	1 9/16	2 11/16	6 3/8	3 13/16	7/16	9/16	2 1/4	2 7/8	11/16	7/8	9.60
	50.00	ZBR5050MM	114.300	96.44	39.69	68.26	161.93	96.84	11.00	14.29	57.15	73.03	17.46	22.23	3.40
7	2	ZBR5200	5.000	4 1/4	1 3/4	3	7 1/8	4 1/8	1/2	9/16	2 3/8	3 1/4	13/16	1	13.70
	2 3/16	ZBR5203													13.00
	55.00	ZBR5055MM	127.000	107.95	44.45	76.20	180.98	104.78	13.00	14.29	60.33	82.60	20.64	25.40	5.90
8	2 7/16	ZBR5207	5.500	4 19/32	1 13/16	3 1/4	7 5/8	4 3/8	1/2	5/8	2 9/16	3 9/16	7/8	1	15.90
	60.00	ZBR5060MM	139.700	116.66	46.04	82.55	193.68	111.13	13.00	15.88	65.09	90.50	22.23	25.40	7.20
	65.00	ZBR5065MM													7.00
9	2 1/2	ZBR5208	6.375	5 19/64	2	3 3/4	8 3/4	4 7/8	5/8	3/4	2 7/8	4 1/16	7/8	1 1/4	26.10
	2 11/16	ZBR5211													24.80
	2 15/16	ZBR5215													22.70
	70.00	ZBR5070MM	161.925	134.54	50.80	95.25	222.25	123.83	16.00	19.05	73.03	103.20	22.23	31.75	11.20
	75.00	ZBR5075MM													10.30
10	3 3/16	ZBR5303	7.375	6 3/32	2 3/8	4 5/16	10 1/4	5 5/16	3/4	15/16	2 15/16	4 29/32	15/16	1 1/4	38.00
	3 7/16	ZBR5307													36.50
	80.00	ZBR5080MM	187.325	154.79	60.33	109.54	260.35	134.94	19.00	23.81	74.62	124.62	23.81	31.75	17.20
	85.00	ZBR5085MM													17.10
	90.00	ZBR5090MM													17.00
11	3 11/16	ZBR5311	8.125	6 5/8	2 11/16	4 11/16	10 7/8	6 1/8	3/4	1 1/8	3 9/16	5 5/8	1 1/32	1 1/2	56.00
	3 15/16	ZBR5315													53.00
	4	ZBR5400													52.00
	100.00	ZBR5100MM	206.375	168.28	68.26	119.06	276.23	155.58	19.00	28.58	90.48	142.90	26.19	38.10	24.00
6-Bolt															
12	4 7/16	ZBR5407Y	10.250	5 7/8	2 5/16	5 7/8	13 1/2	6 1/4	3/4	1	3 15/16	6 3/16	1 1/16	2	84.00
	4 1/2	ZBR5408Y													83.00
	110.00	ZBR5110MM	260.350	149.23	58.74	149.23	342.90	158.75	19.00	25.40	100.01	157.16	26.99	50.80	39.00
	115.00	ZBR5115MM													38.00
13	4 15/16	ZBR5415	11.000	6 3/8	2 31/32	6 3/8	14 3/4	7 7/8	7/8	1 1/4	4 29/32	7 1/16	1 5/32	2 1/4	128.00
	5	ZBR5500													125.00

Continued...

Continued...

Bearing Dimensions

Size Code	Shaft Diameter	Part Number	A Pilot Diameter	B Distance Between Bolt Holes	L Mounting Surface to Collar Face	R Bolt Circle Radius	C	D	F Bolts	H	J	M	P	U	Approx. Weight
6-Bolt (continued)															
13	125.00	ZBR5125MM	279.400	161.93	75.41	161.93	374.65	200.03	22.00	31.75	124.61	179.39	29.37	57.15	58.00
	130.00	ZBR5130MM													57.00
14	5 7/16	ZBR5507	13.000	7 1/4	3 7/32	7 1/4	17	8	7/8	1 3/8	4 25/32	8 3/16	1 7/32	2	184.00
	140.00	ZBR5140MM	330.200	184.15	81.73	184.15	431.80	203.20	22.00	34.93	121.44	207.96	30.96	50.80	83.40
15	5 15/16	ZBR5515	14.000	8 1/4	3 1/16	8 1/4	19	8 1/8	7/8	1	5 1/16	8 5/8	1 5/32	1 3/8	214.00
	6	ZBR5600													213.00
	150.00	ZBR5150MM	355.600	209.55	77.79	209.55	482.60	206.38	22.00	25.40	128.59	219.08	29.37	34.93	97.00
	160.00	ZBR5160MM													95.00
16	6 7/16	ZBR5607	15.000	8 1/2	3 3/8	8 1/2	19	8 3/4	1	1	5 3/8	9 23/32	1 9/32	1 1/2	246.00
	6 15/16	ZBR5615													241.00
	7	ZBR5700	239.00												
	180.00	ZBR5180MM	381.000	215.90	85.73	215.90	482.60	222.25	25.00	25.40	136.53	246.86	32.54	38.10	108.00

Additional Notes

Please call 1-866-REXNORD for availability
 Metric bore sizes available, see Rex Interchangeability guide
 Lubrication fitting tap size: for size code 4 thru 11, 1/8" PT: for all other size codes, 1/4" PT
 Bore size = nominal shaft size +.001 in/-.000 in (+0.03 mm/-0.00 mm)
 Pilot Diameter tolerance, +.000 in/-.002 in (+0.00 mm/-0.05 mm) for size codes 4 thru 13
 Pilot Diameter tolerance, +.000"/-.005" for size codes 14 thru 16
 Bore tolerance for mounting, +.002 in/-.000 in (+0.05 mm/-0.00 mm) for size codes 4 thru 13

Bore tolerance for mounting, +.005"/-.000" for size codes 14 thru 16
 Seals - To specify K or M seal, replace "Z" in part number with "K" or "M"
 "K" seals only available in size codes 4 thru 11
 Auxiliary end caps - available in all size codes
 For the Selection Guide, Load Ratings and Speed Limits, see the Rex Spherical Roller Bearings Engineering section
 Note: Dimensions subject to change. Certified dimensions of ordered material furnished on request.

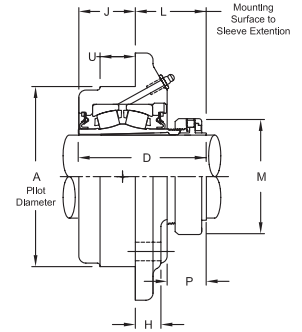
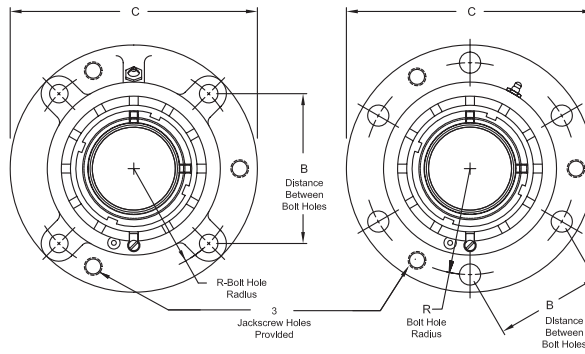
ZBR6000



Photo Shows a 4-Bolt Spherical Roller Bearing Flanged Cartridge Unit

Product Features

- Spyglass™ Optical Strain Sensor (OSS) Technology
- Positive locking system
- Tapered adapter sleeve
- Corrosion-resistant powder coating
- Cast iron housing
- Misalignment capabilities - total of 4°
- Broad range of sealing options
- Factory set clearance & lubrication
- Precision ground & superfinished raceways
- See Features & Benefits for additional info.



Bearing Dimensions

Size Code	Shaft Diameter	Part Number	A Pilot Diameter	B Distance Between Bolt Holes	L Mounting Surface to Collar Face	R Bolt Circle Radius	C	D	F Bolts	H	J	M	P	U	Approx. Weight
4-Bolt															
4	1 7/16	ZBR6107	3.625	3 3/32	1 61/64	2 3/16	5 1/4	3 21/64	3/8	1/2	1 3/8	2 25/64	1 9/64	3/4	5.40
5	1 11/16	ZBR6111	4.250	3 5/8	2 3/16	2 9/16	6 1/8	3 47/64	7/16	1/2	1 17/32	2 41/64	1 9/32	7/8	8.40
6	1 15/16	ZBR6115	4.500	3 51/64	2	2 11/16	6 3/8	3 41/64	7/16	9/16	1 9/16	2 55/64	1 1/8	7/8	9.60
	45.00	ZBR6045MM	114.300	96.44	50.80	68.26	161.93	92.47	11.00	14.29	39.69	72.63	28.58	22.23	4.40
7	2 3/16	ZBR6203	5.000	4 1/4	2 7/64	3	7 1/8	3 11/16	1/2	9/16	1 9/16	3 15/64	1 5/32	1	13.70
	55.00	ZBR6055MM	127.000	107.95	53.57	76.20	180.98	93.66	13.00	14.29	39.69	82.15	29.37	25.40	5.90
8	2 3/8	ZBR6206	5.500	4 19/32	2 23/64	3 1/4	7 5/8	4 1/16	1/2	5/8	1 11/16	3 19/32	1 27/64	1	16.20
	2 7/16	ZBR6207													15.90
	60.00	ZBR6060MM	139.700	116.66	59.92	82.55	193.68	103.19	13.00	15.88	42.86	91.28	36.12	25.40	7.20
9	2 11/16	ZBR6211	6.375	5 19/64	2 17/32	3 3/4	8 3/4	4 17/32	5/8	3/4	2	4 3/32	1 25/64	1 1/4	26.10
	2 3/4	ZBR6212													24.80
	2 15/16	ZBR6215													22.70
	70.00	ZBR6070MM													161.925
	75.00	ZBR6075MM													10.30
10	3 3/16	ZBR6303	7.375	6 3/32	3 1/32	4 5/16	10 1/4	5 1/32	3/4	15/16	2	4 61/64	1 19/32	1 1/4	38.00
	3 7/16	ZBR6307													36.50
	80.00	ZBR6080MM													187.325
	85.00	ZBR6085MM													17.10
11	3 11/16	ZBR6311	8.125	6 5/8	3 23/64	4 11/16	10 7/8	5 25/32	3/4	1 1/8	2 1/2	5 43/64	1 47/64	1 1/2	56.00
	3 15/16	ZBR6315													53.00
	100.00	ZBR6100MM	206.375	168.28	85.32	119.06	276.23	146.84	19.00	28.58	63.50	144.07	44.05	38.10	24.00
	110.00	ZBR6110MM	260.350	149.23	80.96	149.23	342.90	158.75	19.00	25.40	77.79	153.99	47.63	50.80	39.00
	125.00	ZBR6125MM	279.400	161.93	403.19	161.93	374.65	201.61	22.00	31.75	98.43	176.61	57.15	57.15	58.00
6-Bolt															
12	4 3/16	ZBR6403Y	10.250	5 7/8	3 3/16	5 7/8	13 1/2	6 1/4	3/4	1	3 1/16	6 1/16	1 7/8	2	84.00
	4 7/16	ZBR6407Y													83.00
13	4 15/16	ZBR6415	11.000	6 3/8	4 1/16	6 3/8	14 3/4	7 15/16	7/8	1 1/4	3 7/8	6 61/64	2 1/4	2 1/4	128.00
14	5 7/16	ZBR6507	13.000	7 1/4	5 1/16	7 1/4	17	8 49/64	7/8	1 3/8	3 7/8	8 1/64	3 3/64	2	184.00
15	5 15/16	ZBR6515	14.000	8 1/4	5 23/64	8 1/4	19	9 19/64	7/8	1	4 3/16	8 21/32	3 7/16	1 3/8	214.00
16	6 7/16	ZBR6607	15.000	8 1/2	5 53/64	8 1/2	19	10	1	1	4 1/4	9 3/4	3 43/64	1 1/2	246.00
	6 15/16	ZBR6615													241.00

Additional Notes

- Please call 1-866-REXNORD for availability
- Lubrication fitting tap size: for size code 6 thru 11, 1/8" PT: for all other size codes, 1/4" PT
- Pilot Diameter tolerance, +.000 in/- .002 in (**+0.00 mm/-0.05 mm**)
- Bore tolerance for mounting, +.002 in/- .000 in (**+0.05 mm/-0.00 mm**)
- Seals - To specify K or M seal, replace "Z" in part number with "K" or "M"
- "K" seals only available in size codes 6 thru 11
- Auxiliary end caps - available in all size codes

For the Selection Guide, Load Ratings and Speed Limits, see the Rex Spherical Roller Bearings Engineering section
 Note: Dimensions subject to change. Certified dimensions of ordered material furnished on request.

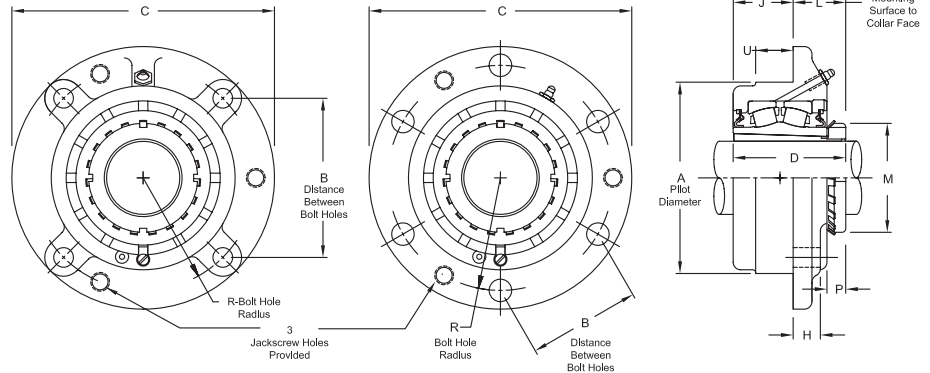
ZBR9000



Photo Shows a 4-Bolt Spherical Roller Bearing Flanged Cartridge Unit

Product Features

- Corrosion-resistant powder coating
- Cast iron housing
- Misalignment capabilities - total of 4°
- Broad range of sealing options
- Factory set clearance & lubrication
- Precision ground & superfinished raceways
- Enhanced life mounting style
- Field interchangeable seals
- See Features & Benefits for additional info.



Bearing Dimensions

Size Code	Shaft Diameter	Part Number	A Pilot Diameter	B Distance Between Bolt Holes	L Mounting Surface to Collar Face	R Bolt circle Radius	C	D	F Bolts	H	J	M	P	U	Approx. Weight
4-Bolt															
7	1 15/16	ZBR9115	5.000	4 1/4	1 19/32	3	7 1/8	3 5/32	1/2	9/16	1 9/16	2 31/32	19/32	1	12.20
	2	ZBR9200													12.10
	45.00	ZBR9045MM													127.000
	50.00	ZBR9050MM													5.30
8	2 3/16	ZBR9203	5.500	4 19/32	1 21/32	3 1/4	7 5/8	3 11/32	1/2	5/8	1 11/16	3 3/8	23/32	1	15.20
	55.00	ZBR9055MM	139.700	116.66	42.06	82.55	193.68	84.93	13.00	15.88	42.86	85.73	18.26	25.40	6.90
9	2 7/16	ZBR9207	6.375	5 19/64	1 3/4	3 3/4	8 3/4	3 3/4	5/8	3/4	2	3 5/8	5/8	1 1/4	22.70
	2 1/2	ZBR9208													22.30
10	2 11/16	ZBR9211	7.375	6 3/32	2 1/4	4 5/16	10 1/4	4 1/4	3/4	15/16	2	4 13/32	13/16	1 1/4	36.40
	2 15/16	ZBR9215													35.40
	3	ZBR9300													34.70
	75.00	ZBR9075MM													187.325
11	3 3/16	ZBR9303	8.125	6 5/8	2 9/16	4 11/16	10 7/8	5	3/4	1 1/8	2 1/2	5 3/16	15/16	1 1/2	55.50
	3 7/16	ZBR9307													53.50
	80.00	ZBR9080MM													206.375
6-Bolt															
12	3 11/16	ZBR9311Y	10.250	5 7/8	2 11/32	5 7/8	13 1/2	5 17/32	3/4	1	3 1/16	5 23/32	1 1/32	2	84.20
	3 15/16	ZBR9315Y													81.90
	4	ZBR9400Y													81.40
	100.00	ZBR9100MM	260.350	149.23	59.52	149.23	342.90	140.49	19.00	25.40	77.79	145.26	26.19	50.80	37.00
13	4 3/16	ZBR9403	11.000	6 3/8	2 7/8	6 3/8	14 3/4	6 3/4	7/8	1 1/4	3 7/8	6 1/8	1 1/8	2 1/4	128.00
	4 7/16	ZBR9407													126.00
14	4 15/16	ZBR9415	13.000	7 1/4	3 5/16	7 1/4	17	7 1/16	7/8	1 3/8	3 7/8	7 3/32	1 1/8	2	178.00
	5	ZBR9500													177.00
15	5 7/16	ZBR9507	14.000	8 1/4	3 3/8	8 1/4	19	7 5/16	7/8	1	4 3/16	8 1/16	1 5/16	1 3/8	209.00
16	5 15/16	ZBR9515	15.000	8 1/2	3 1/2	8 1/2	19	7 3/4	1	1	4 1/4	9 1/16	1 11/16	1 1/2	241.00
	6	ZBR9600													240.00
	6 7/16	ZBR9607													233.00

Additional Notes

- Please call 1-866-REXNORD for availability
- Lubrication fitting tap size: for size code 7 thru 11, 1/8" PT; for all other size codes, 1/4" PT
- Pilot Diameter tolerance, +.000 in/-.002 in (+0.00 mm/-0.05 mm) for size codes 7 thru 13
- Pilot Diameter tolerance, +.005 in/-.000 in (+0.13 mm/-0.00 mm) for size codes 14 thru 16
- Bore tolerance for mounting, +.002 in/-.000 in (+0.05 mm/-0.00 mm) for size codes 7 thru 13

- Bore tolerance for mounting, +.005 in/-.000 in (+0.13 mm/-0.00 mm) for size codes 14 thru 16
- Seals - To specify K or M seal, replace "Z" in part number with "K" or "M"
- "K" seals only available in size codes 7 thru 11
- Auxiliary end caps - available in all size codes
- For the Selection Guide, Load Ratings and Speed Limits, see the Rex Spherical Roller Bearings Engineering section
- Note: Dimensions subject to change. Certified dimensions of ordered material furnished on request.

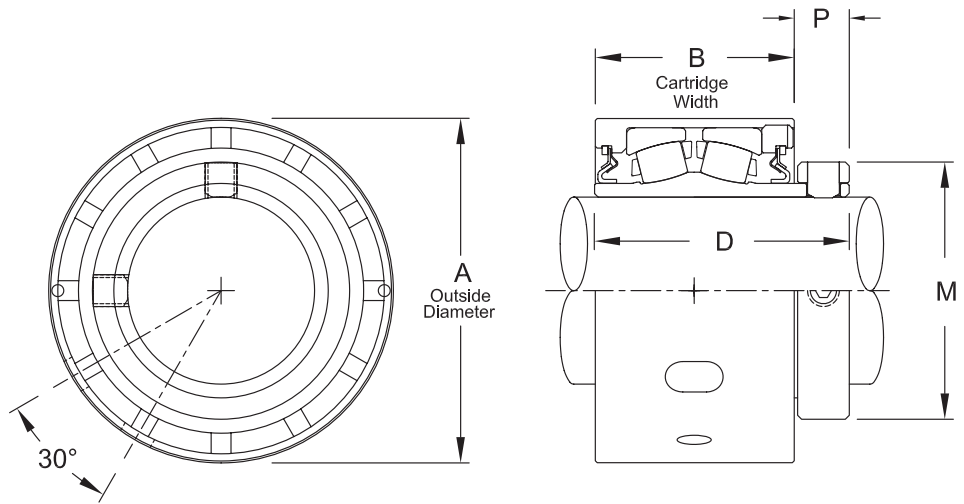
ZCS2000



Photo Shows a Spherical Roller Bearing Cartridge Unit with Steel Housing

Product Features

- Steel housing
- Misalignment capabilities - total of 4°
- Broad range of sealing options
- Factory set clearance & lubrication
- Precision ground & superfinished raceways
- Hardened spring locking collar
- Field interchangeable seals
- See Features & Benefits for additional info.



Bearing Dimensions

Size Code	Shaft Diameter	Part Number	A Outside Diameter	B Cartridge Length	D	M	Approx. Weight				
4	1 7/16	ZCS2107	3.1240	2.190	2 7/8	2 5/16	2.90				
	1 1/2	ZCS2108					2.80				
5	35.00	ZCS2035MM	79.3500	55.630	73.02	58.74	1.80				
	1 11/16	ZCS2111	3.6360	2.440	3 1/8	2 19/32	4.50				
	1 3/4	ZCS2112					4.40				
	40.00	ZCS2040MM	92.3500	61.970	79.38	65.88	2.50				
	45.00	ZCS2045MM									
6	1 15/16	ZCS2115	3.8330	2.440	3 1/8	2 7/8	5.00				
	2	ZCS2200					4.80				
	50.00	ZCS2050MM					97.3600	61.970	79.38	73.03	2.30
7	2 3/16	ZCS2203	4.2270	2.560	3 5/16	3 1/4	6.40				
	2 1/4	ZCS2204					6.30				
	55.00	ZCS2055MM					107.3600	65.020	84.14	82.60	3.20
8	2 3/8	ZCS2206	4.6210	2 5/8	3 1/2	3 9/16	7.60				
	2 7/16	ZCS2207					7.50				
	2 1/2	ZCS2208					7.30				
	60.00	ZCS2060MM					117.3700	66.680	88.90	90.50	3.90
	65.00	ZCS2065MM									
9	2 11/16	ZCS2211	5.4070	3 1/8	4	4 1/16	12.30				
	2 3/4	ZCS2212					11.90				
	2 15/16	ZCS2215					10.80				
	3	ZCS2300					10.50				
	70.00	ZCS2070MM					137.3380	79.380	101.60	103.20	6.40
75.00	ZCS2075MM					5.90					
10	3 3/16	ZCS2303	6.1940	3.470	4 3/8	4 29/32	17.90				
	3 7/16	ZCS2307					16.40				
	3 1/2	ZCS2308					15.90				
	80.00	ZCS2080MM									9.00
	85.00	ZCS2085MM					157.3300	88.140	111.13	124.62	8.60
90.00	ZCS2090MM					8.20					
11	3 11/16	ZCS2311	7.3750	4	5 1/16	5 5/8	31.10				
	3 15/16	ZCS2315					28.80				
	4	ZCS2400					28.10				
	100.00	ZCS2100MM					187.3200	101.600	128.59	142.90	14.10

Additional Notes

- Please call 1-866-REXNORD for availability
- Metric bore sizes available, see Rex Interchangeability guide
- Bore size = nominal shaft size +.001 in/-.000 in (+0.03 mm/-0.00 mm)
- O.D. tolerance, +.000 in/-.002 in (+0.00 mm/-0.05 mm)
- Locking plug thread size, 5/8"-18 UNF
- Locking plug & grease fitting supplied with bearing
- Recommended engagement of locking plug into cartridge slot is .125" +/- .015"

- Seals - to specify K or M seal, replace "Z" in part number with "K" or "M"
- Auxiliary end caps - not available
- For the Selection Guide, Load Ratings and Speed Limits, see the Rex Spherical Roller Bearings Engineering section
- Note: Dimensions subject to change. Certified dimensions of ordered material furnished on request.

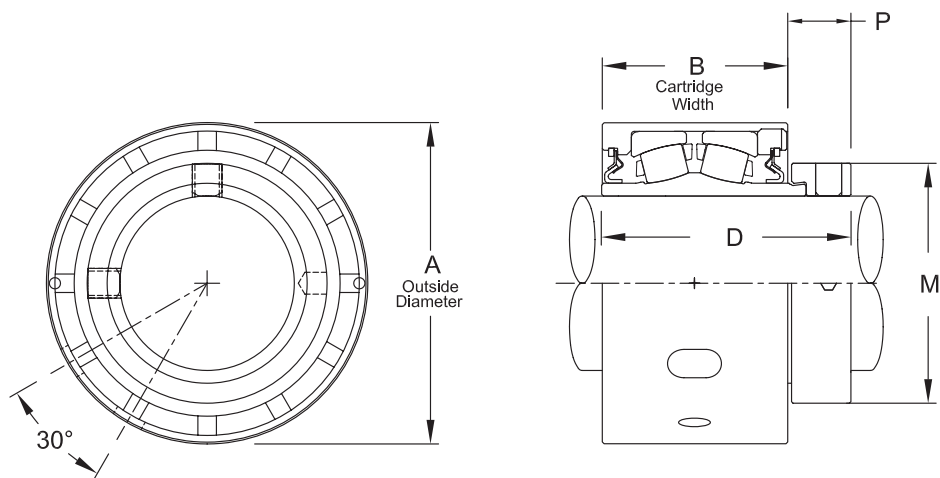
ZCS3000



Photo Shows a Spherical Roller Bearing Cartridge Unit with Steel Housing

Product Features

- Steel housing
 - Misalignment capabilities - total of 4°
 - Broad range of sealing options
 - Factory set clearance & lubrication
 - Precision ground & superfinished raceways
 - Eccentric locking collar
 - Field interchangeable seals
- See Features & Benefits for additional info.



Bearing Dimensions

Size Code	Shaft Diameter	Part Number	A Outside Diameter	B Cartridge Length	D	M	Approx. Weight
4	1 7/16	ZCS3107	3.1240	2.203	2 59/64	2 5/16	3.10
5	1 11/16	ZCS3111	3.6360	2.453	3 3/16	2 5/8	4.70
6	1 15/16	ZCS3115	3.8330	2.453	3 9/32	2 3/4	3.50
7	2 3/16	ZCS3203	4.2270	2.578	3 1/2	3 1/4	6.70
8	2 7/16	ZCS3207	4.6210	2.640	3 21/32	3 9/16	7.70
	2 1/2	ZCS3208					7.60
9	2 11/16	ZCS3211	5.4070	3.140	4 13/64	4 1/16	12.50
	2 15/16	ZCS3215					11.50
10	3 7/16	ZCS3307	6.1940	3.453	4 37/64	4 15/16	17.00
	3 1/2	ZCS3308					16.10
11	3 15/16	ZCS3315	7.3750	4.000	5 3/16	5 5/8	28.80

Additional Notes

- Please call 1-866-REXNORD for availability
- Bore size = nominal shaft size +.001 in/-.000 in (+0.03 mm/-0.00 mm)
- O.D. tolerance, +.000 in/-.002 in (+0.00 mm/-0.05 mm)
- Locking plug thread size, 5/8"-18 UNF
- Locking plug & grease fitting supplied with bearing
- Recommended engagement of locking plug into cartridge slot is .125" +/- .015"
- Seals - to specify K or M seal, replace "Z" in part number with "K" or "M"

Auxiliary end caps - not available
 For the Selection Guide, Load Ratings and Speed Limits, see the Rex Spherical Roller Bearings Engineering section
 Note: Dimensions subject to change. Certified dimensions of ordered material furnished on request.

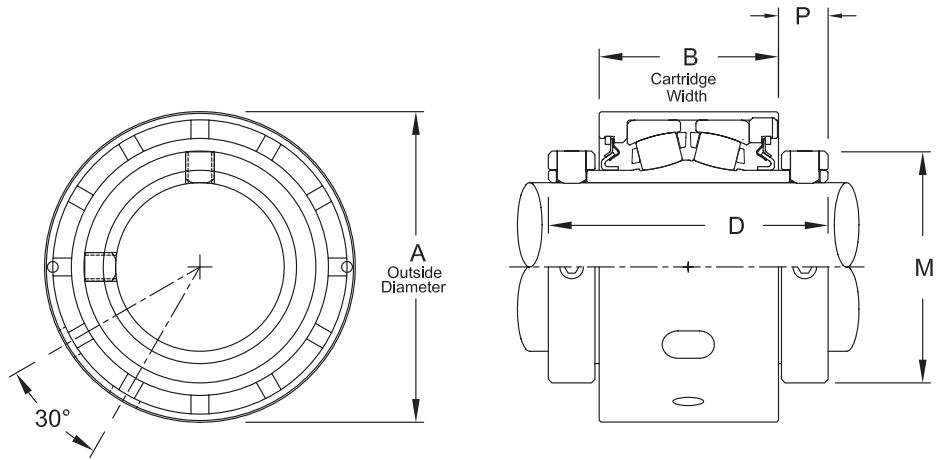
ZCS5000



Photo Shows a Spherical Roller Bearing Cartridge Unit with Steel Housing

Product Features

- Steel housing
- Misalignment capabilities - total of 4°
- Broad range of sealing options
- Factory set clearance & lubrication
- Precision ground & superfinished raceways
- Two hardened spring locking collars
- Field interchangeable seals
- See Features & Benefits for additional info.



Bearing Dimensions

Size Code	Shaft Diameter	Part Number	A Outside Diameter	B Cartridge Length	D	M	Approx. Weight				
4	1 ⁷ / ₁₆	ZCS5107	3.1240	2.190	3 ⁹ / ₁₆	2 ⁵ / ₁₆	3.30				
	35.00	ZCS5035MM	79.3500	55.630	90.49	58.74	1.50				
5	1 ¹ / ₂	ZCS5108	3.6360	2.440	3 ¹³ / ₁₆	2 ¹⁹ / ₃₂	5.70				
	1 ¹¹ / ₁₆	ZCS5111					5.10				
	40.00	ZCS5040MM	2.59								
	45.00	ZCS5045MM	2.55								
6	1 ¹⁵ / ₁₆	ZCS5115	3.8330	2.440	3 ¹³ / ₁₆	2 ⁷ / ₈	5.30				
	50.00	ZCS5050MM	97.3600	61.970	96.84	73.03	2.40				
7	2	ZCS5200	4.2270	2.560	4 ¹ / ₈	3 ¹ / ₄	8.10				
	2 ³ / ₁₆	ZCS5203					7.50				
	55.00	ZCS5055MM					65.020	104.78	82.60	3.40	
8	2 ⁷ / ₁₆	ZCS5207	4.6210	2 ⁵ / ₈	4 ³ / ₈	3 ⁹ / ₁₆	8.70				
	60.00	ZCS5060MM	117.3700	66.680	111.13	90.50	4.08				
	65.00	ZCS5065MM					4.20				
	2 ¹ / ₂	ZCS5208	5.4070	3 ¹ / ₈			4 ⁷ / ₈	4 ¹ / ₁₆	15.10		
2 ¹¹ / ₁₆	ZCS5211	14.10									
2 ¹⁵ / ₁₆	ZCS5215	12.10									
70.00	ZCS5070MM	6.40									
9	75.00	ZCS5075MM	137.3380	79.380	123.83	103.20	6.00				
	3 ³ / ₁₆	ZCS5303	6.1940	3.470	5 ⁵ / ₁₆	4 ²⁹ / ₃₂	19.80				
	3 ⁷ / ₁₆	ZCS5307					17.90				
	80.00	ZCS5080MM					8.90				
	85.00	ZCS5085MM					8.50				
90.00	ZCS5090MM	8.10									
10	3 ¹¹ / ₁₆	ZCS5311	7.3750	4	6 ¹ / ₈	5 ⁵ / ₈	33.60				
	3 ¹⁵ / ₁₆	ZCS5315					32.60				
	4	ZCS5400					31.60				
	100.00	ZCS5100MM					101.600	155.58	142.90	14.80	
11	4 ³ / ₁₆	ZCS5403Y	7.9669	4 ¹ / ₄	6 ¹ / ₄	6 ³ / ₁₆	44.00				
	4 ⁷ / ₁₆	ZCS5407Y					40.00				
	4 ¹ / ₂	ZCS5408Y					39.50				
	110.00	ZCS5110MM					20.00				
	115.00	ZCS5115MM					18.00				
12	4 ¹⁵ / ₁₆	ZCS5415	9.3425	5.560	7 ⁷ / ₈	7 ¹ / ₁₆	54.00				
	5	ZCS5500					53.50				
	125.00	ZCS5125MM					237.2999	141.220	200.03	179.39	24.50
	130.00	ZCS5130MM					-	-	-	-	24.25

Additional Notes

- Please call 1-866-REXNORD for availability
- Metric bore sizes available, see Rex Interchangeability guide
- Bore size = nominal shaft size +.001 in/-.000 in (+0.03 mm/-0.00 mm)
- O.D. tolerance, +.000 in/-.002 in (+0.00 mm/-0.05 mm)
- Locking plug thread size, 5/8"-18 UNF
- Locking plug & grease fitting supplied with bearing

- Recommended engagement of locking plug into cartridge slot is .125" +/- .015"
- Seals - to specify K or M seal, replace "Z" in part number with "K" or "M"
- Auxiliary end caps - not available
- For the Selection Guide, Load Ratings and Speed Limits, see the Rex Spherical Roller Bearings Engineering section
- Note: Dimensions subject to change. Certified dimensions of ordered material furnished on request.

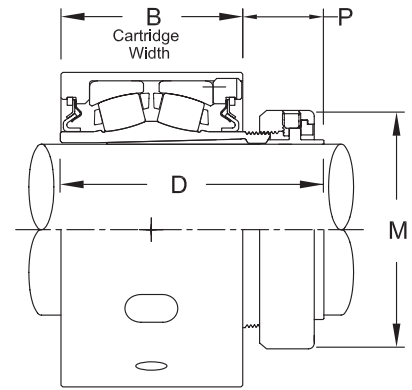
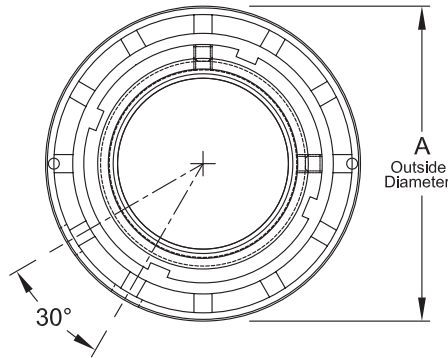
ZCS6000



Photo Shows a Spherical Roller Bearing Cartridge Unit with Steel Housing

Product Features

- Spyglass™ Optical Strain Sensor (OSS) Technology
- Positive locking system
- Tapered adapter sleeve
- Steel housing
- Misalignment capabilities - total of 4°
- Broad range of sealing options
- Factory set clearance & lubrication
- Precision ground & superfinished raceways
- Field interchangeable seals
- See Features & Benefits for additional info.



Bearing Dimensions

Size Code	Shaft Diameter	Part Number	A Outside Diameter	B Cartridge Length	D	M	P	Approx. Weight
4	1 7/16	ZCS6107	3.1240	2.190	3 21/64	2 25/64	1 9/64	2.90
5	1 11/16	ZCS6111	3.6360	2.440	3 47/64	2 41/64	1 9/32	4.50
6	1 15/16	ZCS6115	3.8330	2.440	3 41/64	2 55/64	1 1/8	5.30
	45.00	ZCS6045MM	97.3600	61.970	92.47	72.63	28.58	2.55
7	2 3/16	ZCS6203	4.2770	2.560	3 11/16	3 15/64	1 5/32	8.10
	55.00	ZCS6055MM	107.3600	65.020	93.66	82.15	29.37	3.40
8	2 3/8	ZCS6206	4.6210	2 5/8	4 1/16	3 19/32	1 27/64	9.10
	2 7/16	ZCS6207						8.70
	60.00	ZCS6060MM	117.3700	66.680	103.19	91.28	36.12	4.08
9	2 11/16	ZCS6211	5.4070	3 1/8	4 17/32	4 3/32	1 25/64	15.10
	2 3/4	ZCS6212						14.10
	2 15/16	ZCS6215						12.10
	70.00	ZCS6070MM						137.3380
	75.00	ZCS6075MM						6.00
10	3 3/16	ZCS6303	6.1940	3.470	5 1/32	4 61/64	1 19/32	19.80
	3 7/16	ZCS6307						17.90
	80.00	ZCS6080MM	157.3300	88.140	127.79	125.81	40.48	8.90
	85.00	ZCS6085MM						8.50
11	3 11/16	ZCS6311	7.3750	4	5 25/32	5 43/64	1 47/64	33.60
	3 15/16	ZCS6315						32.60
	100.00	ZCS6100MM	187.3200	101.600	146.84	144.07	44.05	14.80
12	4 3/16	ZCS6403Y	7.9669	4 1/4	6 1/4	6 1/16	1 7/8	40.00
	4 7/16	ZCS6407Y						39.50
	110.00	ZCS6110MM	202.3597	107.950	158.75	153.99	47.63	20.00
13	4 15/16	ZCS6415	9.3425	5.560	7 15/16	6 61/64	2 1/4	54.00
	125.00	ZCS6125MM	237.2999	141.220	201.61	176.61	57.15	24.50

Additional Notes

- Please call 1-866-REXNORD for availability
- Bore size = nominal shaft size +.001 in/- .000 in (+0.03 mm/-0.00 mm)
- O.D. tolerance, +.000 in/- .002 in (+0.00 mm/-0.05 mm)
- Locking plug thread size, 5/8"-18 UNF
- Locking plug & grease fitting supplied with bearing
- Recommended engagement of locking plug into cartridge slot is .125" +/- .015"
- Seals - to specify K or M seal, replace "Z" in part number with "K" or "M"

Auxiliary end caps - not available
 For the Selection Guide, Load Ratings and Speed Limits, see the Rex Spherical Roller Bearings Engineering section
 Note: Dimensions subject to change. Certified dimensions of ordered material furnished on request.

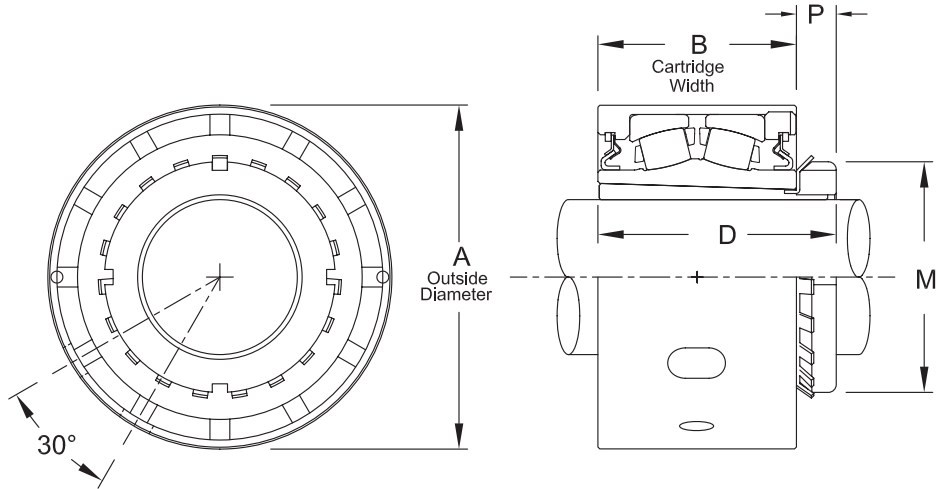
ZCS9000



Photo Shows a Spherical Roller Bearing Cartridge Unit with Steel Housing

Product Features

- Steel housing
- Misalignment capabilities - total of 4°
- Broad range of sealing options
- Factory set clearance & lubrication
- Precision ground & superfinished raceways
- Enhanced life mounting style
- Field interchangeable seals
- See Features & Benefits for additional info.



Bearing Dimensions

Size Code	Shaft Diameter	Part Number	A Outside Diameter	B Cartridge Length	D	M	Approx. Weight
7	1 15/16	ZCS9115	4.2270	2.560	3 5/32	2 31/32	6.60
	2	ZCS9200					6.50
	45.00	ZCS9045MM	107.3600	65.020	80.17	75.40	2.90
	50.00	ZCS9050MM					3.10
8	2 3/16	ZCS9203	4.6210	2 5/8	3 11/32	3 3/8	7.90
	55.00	ZCS9055MM	117.3700	66.680	84.93	85.73	3.60
9	2 7/16	ZCS9207	5.4070	3 1/8	3 3/4	3 5/8	11.60
	2 1/2	ZCS9208					11.20
10	2 11/16	ZCS9211					19.10
	2 15/16	ZCS9215	6.1940	3.470	4 1/4	4 13/32	17.90
	3	ZCS9300					17.20
	75.00	ZCS9075MM	157.3300	88.140	107.95	111.92	7.80
11	3 3/16	ZCS9303	7.3750	4	5	5 3/16	34.30
	3 7/16	ZCS9307					32.30
	80.00	ZCS9080MM	187.3200	101.600	127.00	131.76	15.60
12	3 11/16	ZCS9311Y					44.00
	3 15/16	ZCS9315Y	7.9669	4 1/4	5 17/32	5 23/32	40.00
	4	ZCS9400Y					39.50
	100.00	ZCS9100MM	7.9669	4 1/4	140.49	145.26	20.00
13	4 3/16	ZCS9403	9.3425	5.560	6 3/4	6 1/8	54.00
	4 7/16	ZCS9407					53.50

Additional Notes

- Please call 1-866-REXNORD for availability
- Bore size = nominal shaft size +.001 in/-.000 in (+0.03 mm/-0.00 mm)
- O.D. tolerance, +.000 in/-.002 in (+0.00 mm/-0.05 mm)
- Locking plug thread size, 5/8"-18 UNF
- Locking plug & grease fitting supplied with bearing
- Recommended engagement of locking plug into cartridge slot is .125" +/- .015"
- Seals - to specify K or M seal, replace "Z" in part number with "K" or "M"

- Auxiliary end caps - not available
- For the Selection Guide, Load Ratings and Speed Limits, see the Rex Spherical Roller Bearings Engineering section
- Note: Dimensions subject to change. Certified dimensions of ordered material furnished on request.

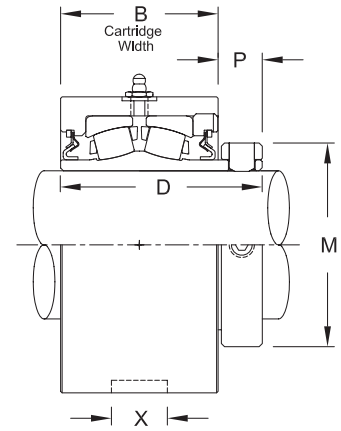
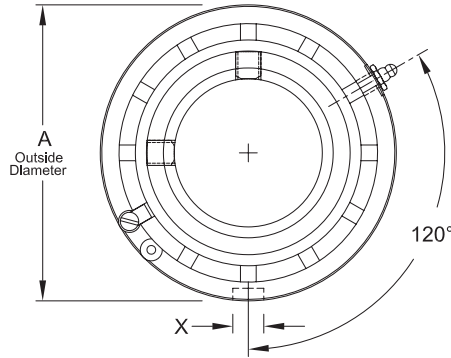
ZMC2000



Photo Shows a Spherical Roller Bearing Cartridge Unit with Cast Iron Housing

Product Features

- Corrosion-resistant powder coating
 - Cast iron housing
 - Misalignment capabilities - total of 4°
 - Broad range of sealing options
 - Factory set clearance & lubrication
 - Precision ground & superfinished raceways
 - Hardened spring locking collar
 - Field interchangeable seals
- See Features & Benefits for additional info.



Bearing Dimensions

Size Code	Shaft Diameter	Part Number	A Outside Diameter	B Cartridge Length	D	M	X Depth	X Length	X Width	Approx. Weight
2	3/4	ZMC2012	3.0000	2	2 9/16	1 3/4	-	-	-	3.10
	15/16	ZMC2015								2.90
	1	ZMC2100								1.30
3	25.00	ZMC2025MM	76.2000	50.800	65.09	44.45	-	-	-	1.30
	1 1/8	ZMC2102	3.2190	2 1/8	2 11/16	1 31/32	-	-	-	3.50
	1 3/16	ZMC2103								3.40
	1 1/4	ZMC2104								3.30
30.00	ZMC2030MM	81.7600	53.980	68.26	50.00	-	-	-	1.60	
4	1 7/16	ZMC2107	3.4370	2 3/16	2 7/8	2 5/16	3/16	29/32	0.530	3.90
	1 1/2	ZMC2108								3.80
	35.00	ZMC2035MM								87.3000
5	1 11/16	ZMC2111	3.9370	2 7/16	3 1/8	2 19/32	3/16	29/32	0.530	5.60
	1 3/4	ZMC2112								5.40
	40.00	ZMC2040MM								100.0000
	45.00	ZMC2045MM	100.0000	61.910	79.38	65.88	4.76	23.02	13.460	2.30
6	1 15/16	ZMC2115	4.1250	2 7/16	3 1/8	2 7/8	3/16	29/32	0.530	5.80
	2	ZMC2200								5.60
	50.00	ZMC2050MM								104.7800
7	2 3/16	ZMC2203	4.5310	2 9/16	3 5/16	3 1/4	3/16	29/32	0.530	7.50
	2 1/4	ZMC2204								7.30
	55.00	ZMC2055MM								115.0880
8	2 3/8	ZMC2206	5.0000	2 5/8	3 1/2	3 9/16	3/16	29/32	0.530	9.50
	2 7/16	ZMC2207								9.40
	2 1/2	ZMC2208								9.20
	60.00	ZMC2060MM	127.0000	66.680	88.90	90.50	4.76	23.02	13.460	4.80
65.00	ZMC2065MM	127.0000	66.680	88.90	90.50	4.76	23.02	13.460	4.40	
9	2 11/16	ZMC2211	5.8750	3 1/8	4	4 1/16	1/4	1 1/32	0.590	15.90
	2 3/4	ZMC2212								15.50
	2 15/16	ZMC2215								14.40
	3	ZMC2300								14.10
	70.00	ZMC2070MM								149.2250
75.00	ZMC2075MM	149.2250	79.380	101.60	103.20	6.35	26.19	14.990	7.80	
10	3 3/16	ZMC2303	6.7500	3 7/16	4 3/8	4 29/32	9/32	1 1/16	0.590	22.50
	3 7/16	ZMC2307								20.50

Continued...

Continued...

Bearing Dimensions

Size Code	Shaft Diameter	Part Number	A Outside Diameter	B Cartridge Length	D	M	X Depth	X Length	X Width	Approx. Weight
10	3 1/2	ZMC2308	6.7500	3 7/16	4 3/8	4 29/32	9/32	1 1/16	0.590	20.00
	80.00	ZMC2080MM	171.4500	87.310	111.13	124.62	6.35	26.19	14.990	11.20
	85.00	ZMC2085MM								11.00
	90.00	ZMC2090MM								10.80
11	3 11/16	ZMC2311	8.1250	4 1/8	5 1/16	5 5/8	5/16	1 9/32	3/4	38.50
	3 15/16	ZMC2315								36.50
	4	ZMC2400								35.80
	100.00	ZMC2100MM	206.3750	104.780	128.59	142.90	7.94	32.54	19.050	16.60

Additional Notes

Please call 1-866-REXNORD for availability
Metric bore sizes available, see Rex Interchangeability guide
Lubrication fitting tap size, 1/8 PT
Bore size = nominal shaft size +.001 in/-.000 in (**+0.03 mm/-0.00 mm**)
O.D. tolerance, +.000 in/-.002 in (**+0.00 mm/-0.05 mm**)
Seals - to specify K or M seal, replace "Z" in part number with "K" or "M"
Auxiliary end caps - not available

For the Selection Guide, Load Ratings and Speed Limits, see the Rex Spherical Roller Bearings Engineering section
Note: Dimensions subject to change. Certified dimensions of ordered material furnished on request.

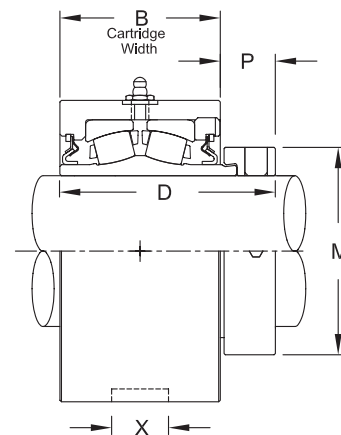
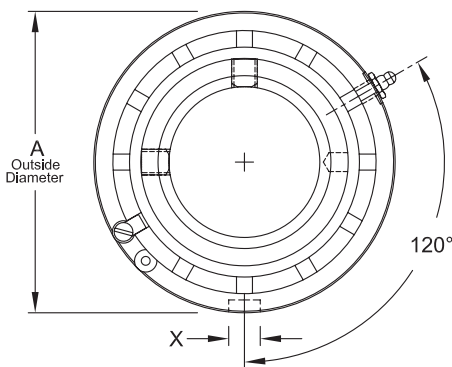
ZMC3000



Photo Shows a Spherical Roller Bearing Cartridge Unit with Cast Iron Housing

Product Features

- Corrosion-resistant powder coating
 - Cast iron housing
 - Misalignment capabilities - total of 4°
 - Broad range of sealing options
 - Factory set clearance & lubrication
 - Precision ground & superfinished raceways
 - Eccentric locking collar
 - Field interchangeable seals
- See Features & Benefits for additional info.



Bearing Dimensions

Size Code	Shaft Diameter	Part Number	A Outside Diameter	B Cartridge Length	D	M	X Depth	X Length	X Width	Approx. Weight
4	1 7/16	ZMC3107	3.4370	2 3/16	2 59/64	2 5/16	3/16	29/32	0.531	4.10
5	1 11/16	ZMC3111	3.9370	2 7/16	3 3/16	2 5/8	3/16	29/32	0.531	5.80
6	1 15/16	ZMC3115	4.1250	2 7/16	3 9/32	2 15/16	3/16	29/32	0.531	6.00
7	2 3/16	ZMC3203	4.5310	2 9/16	3 1/2	3 1/4	3/16	29/32	0.531	7.80
8	2 7/16	ZMC3207	5.0000	2 5/8	3 21/32	3 9/16	3/16	29/32	0.531	9.60
	2 1/2	ZMC3208								9.50
9	2 11/16	ZMC3211	5.8750	3 1/8	4 13/64	4 1/16	1/4	1 1/32	0.594	16.10
	2 15/16	ZMC3215								15.10
10	3 7/16	ZMC3307	6.7500	3 7/16	4 37/64	4 15/16	9/32	1 1/16	0.594	21.10
	3 1/2	ZMC3308								20.20
11	3 15/16	ZMC3315	8.1250	4 1/8	5 3/16	5 5/8	5/16	1 9/32	0.781	36.50

Additional Notes

- Please call 1-866-REXNORD for availability
- Lubrication fitting tap size, 1/8 PT
- Bore size = nominal shaft size +.001 in/-.000 in (+0.03 mm/-0.00 mm)
- O.D. tolerance, +.000 in/-.002 in (+0.00 mm/-0.05 mm)
- Seals - to specify K or M seal, replace "Z" in part number with "K" or "M"
- Auxiliary end caps - not available

For the Selection Guide, Load Ratings and Speed Limits, see the Rex Spherical Roller Bearings Engineering section
 Note: Dimensions subject to change. Certified dimensions of ordered material furnished on request.

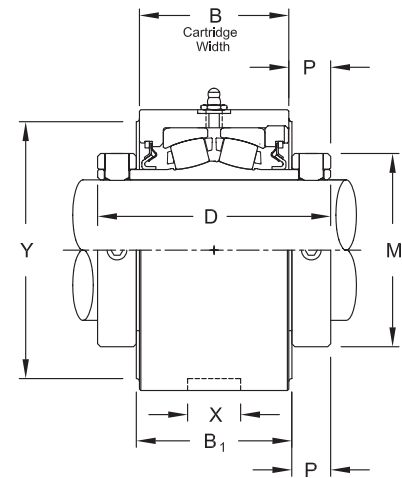
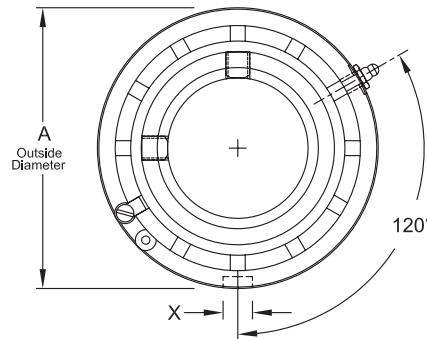
ZMC5000



Photo Shows a Spherical Roller Bearing Cartridge Unit with Cast Iron Housing

Product Features

- Corrosion-resistant powder coating
- Cast iron housing
- Misalignment capabilities - total of 4°
- Broad range of sealing options
- Factory set clearance & lubrication
- Precision ground & superfinished raceways
- Two hardened spring locking collars
- Field interchangeable seals
- See Features & Benefits for additional info.



Bearing Dimensions

Size Code	Shaft Diameter	Part Number	A Outside Diameter	B Cartridge Length	B1	D	X Depth	X Length	X Width	Approx. Weight							
4	1 7/16	ZMC5107	3.4370	2 3/16	-	3 9/16	3/16	29/32	0.530	4.30							
	35.00	ZMC5035MM	3.4370	2 3/16	-	90.49	4.76	23.02	13.460	2.00							
5	1 1/2	ZMC5108	3.9370	2 7/16	-	3 13/16	3/16	29/32	0.530	6.50							
	1 11/16	ZMC5111								5.90							
	40.00	ZMC5040MM	100.0000	61.910	-	96.84	4.76	23.02	13.460	2.90							
	45.00	ZMC5045MM	100.0000	61.910	-	96.84	4.76	23.02	13.460	2.70							
6	1 15/16	ZMC5115	4.1250	2 7/16	-	3 13/16	3/16	29/32	0.530	6.50							
	50.00	ZMC5050MM	104.7800	61.910	-	96.84	4.76	23.02	13.460	2.90							
7	2	ZMC5200	4.5310	2 9/16	-	4 1/8	3/16	29/32	0.530	9.50							
	2 3/16	ZMC5203								8.80							
	55.00	ZMC5055MM								115.0880	65.090	-	104.78	4.76	23.02	13.460	4.00
8	2 7/16	ZMC5207	5.0000	2 5/8	-	4 3/8	3/16	29/32	0.530	10.60							
	60.00	ZMC5060MM	127.0000	66.680	-	111.13	4.76	23.02	13.460	5.00							
	65.00	ZMC5065MM	127.0000	66.680	-	111.13	4.76	23.02	13.460	4.80							
9	2 1/2	ZMC5208	5.8750	3 1/8	-	4 7/8	1/4	1 1/32	0.590	18.70							
	2 11/16	ZMC5211								17.70							
	2 15/16	ZMC5215								15.70							
	70.00	ZMC5070MM								149.2250	79.380	-	123.83	6.35	26.19	14.990	8.00
	75.00	ZMC5075MM								149.2250	79.380	-	123.83	6.35	26.19	14.990	7.60
10	3 3/16	ZMC5303	6.7500	3 7/16	-	5 5/16	9/32	1 1/16	0.590	24.70							
	3 7/16	ZMC5307								22.80							
	80.00	ZMC5080MM								171.4500	87.310	-	134.94	6.35	26.19	14.990	11.20
	85.00	ZMC5085MM								171.4500	87.310	-	134.94	6.35	26.19	14.990	10.80
	90.00	ZMC5090MM								171.4500	87.310	-	134.94	6.35	26.19	14.990	10.40
11	3 11/16	ZMC5311	8.1250	4 1/8	-	6 1/8	5/16	1 9/32	3/4	44.00							
	3 15/16	ZMC5315								41.50							
	4	ZMC5400								41.00							
	100.00	ZMC5100MM								206.3750	104.780	-	155.58	7.94	32.54	19.050	20.00
12	4 3/16	ZMC5403Y	8.7500	4 1/4	-	6 1/4	5/16	1 1/2	3/4	50.00							
	4 7/16	ZMC5407Y								47.00							
	4 1/2	ZMC5408Y								46.00							
	110.00	ZMC5110MM								222.2500	107.950	-	158.75	7.94	32.54	19.050	22.70
115.00	ZMC5115MM	222.2500	107.950	-	158.75	7.94	32.54	19.050	22.00								
13	4 15/16	ZMC5415	10.4370	5 9/16	6	7 7/8	5/16	1 1/2	3/4	95.00							

Continued...

Continued...

Bearing Dimensions

Size Code	Shaft Diameter	Part Number	A Outside Diameter	B Cartridge Length	B1	D	X Depth	X Length	X Width	Approx. Weight
13	5	ZMC5500	10.4370	5 ⁹ / ₁₆	6	7 ⁷ / ₈	⁹ / ₁₆	1 ¹ / ₂	³ / ₄	92.00
	125.00	ZMC5125MM	265.1000	141.290	152.40	200.03	7.94	32.54	19.050	43.00
	130.00	ZMC5130MM								42.00
14	5 ⁷ / ₁₆	ZMC5507	11.5000	5 ⁹ / ₁₆	5 ⁷ / ₈	8	⁷ / ₃₂	1 ¹ / ₂	³ / ₄	114.00
	140.00	ZMC5140MM	292.1000	141.290	149.23	203.20	7.94	32.54	19.050	51.00
15	5 ¹⁵ / ₁₆	ZMC5515	12.2500	5 ⁷ / ₈	6 ¹ / ₈	8 ¹ / ₈	⁷ / ₃₂	1 ¹ / ₂	³ / ₄	134.00
	6	ZMC5600								133.00
	150.00	ZMC5150MM	311.1500	149.230	155.58	206.38	7.94	32.54	19.050	61.00
	160.00	ZMC5160MM								59.00
16	6 ⁷ / ₁₆	ZMC5607	13.5630	6 ³ / ₁₆	6 ¹ / ₂	8 ³ / ₄	⁷ / ₃₂	1 ¹ / ₂	³ / ₄	180.00
	6 ¹⁵ / ₁₆	ZMC5615								167.00
	7	ZMC5700	344.5000	157.160	165.10	222.25	7.94	32.54	19.050	166.00
	180.00	ZMC5180MM								75.00

Additional Notes

Please call 1-866-REXNORD for availability
Metric bore sizes available, see Rex Interchangeability guide
Lubrication fitting tap size: for size code 4 thru 11, 1/8" PT; for all other size codes, 1/4" PT
Bore size = nominal shaft size +.001 in/-.000 in (+0.03 mm/-0.00 mm)
O.D. tolerance, for size code 4 thru 11 +.000 in/-.002 in (+0.00 mm/-0.05 mm); for all other size codes, +.000 in/-.003 in (+0.00 mm/-0.08 mm)
Seals - to specify K or M seal, replace "Z" in part number with "K" or "M"

"K" seals only available in size codes 4 thru 11
Auxiliary end caps - not available
For the Selection Guide, Load Ratings and Speed Limits, see the Rex Spherical Roller Bearings Engineering section
Note: Dimensions subject to change. Certified dimensions of ordered material furnished on request.

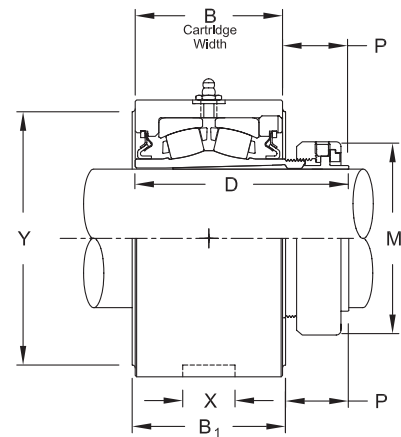
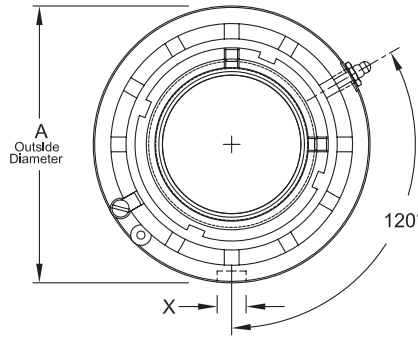
ZMC6000



Photo Shows a Spherical Roller Bearing Cartridge Unit with Cast Iron Housing

Product Features

- Spyglass™ Optical Strain Sensor (OSS) Technology
- Positive locking system
- Tapered adapter sleeve
- Corrosion-resistant powder coating
- Cast iron housing
- Misalignment capabilities - total of 4°
- Broad range of sealing options
- Factory set clearance & lubrication
- Precision ground & superfinished raceways
- See Features & Benefits for additional info.



Bearing Dimensions

Size Code	Shaft Diameter	Part Number	A Outside Diameter	B Cartridge Length	B1	D	M	P	X Depth	X Length	X Width	Y	Approx. Weight		
4	1 7/16	ZMC6107	3.437	2 3/16	-	3 21/64	2 25/64	1 9/64	3/16	29/32	0.530	-	3.90		
5	1 11/16	ZMC6111	3.937	2 7/16	-	3 47/64	2 41/64	1 9/32				-	5.60		
6	1 15/16	ZMC6115	4.1250	2 7/16	-	3 41/64	2 55/64	1 1/8	4.76	23.02	13.460	-	6.50		
	45.00	ZMC6045MM	104.7800	61.910	-	92.47	72.63	28.58				-	2.70		
7	2 3/16	ZMC6203	4.5310	2 9/16	-	3 11/16	3 15/64	1 5/32	3/16	29/32	0.530	-	9.50		
	55.00	ZMC6055MM	115.0880	65.090	-	93.66	82.15	29.37				-	4.00		
8	2 3/8	ZMC6206	5.0000	2 5/8	-	4 1/16	3 19/32	1 27/64	3/16	29/32	0.530	-	10.90		
	2 7/16	ZMC6207		-	10.60										
	60.00	ZMC6060MM	127.0000	66.680	-	103.19	91.28	36.12				-	5.00		
9	2 11/16	ZMC6211	5.8750	3 1/8	-	4 17/32	4 3/32	1 25/64	1/4	1 1/32	0.590	-	18.70		
	2 3/4	ZMC6212										-	17.70		
	2 15/16	ZMC6215	70.00	ZMC6070MM	149.2250	79.380	-	115.09	103.98	35.32	6.35	26.19	14.990	-	8.00
	75.00	ZMC6075MM												-	7.60
	80.00	ZMC6080MM												171.4500	87.310
85.00	ZMC6085MM	-	10.80												
10	3 3/16	ZMC6303	6.7500	3 7/16	-	5 1/32	4 61/64	1 19/32	9/32	1 1/16	0.590	-	24.70		
	3 7/16	ZMC6307										-	22.80		
	80.00	ZMC6080MM	171.4500	87.310	-	127.79	125.81	40.48				6.35	26.19	14.990	-
85.00	ZMC6085MM	-	10.80												
11	3 11/16	ZMC6311	8.1250	4 1/8	-	5 25/32	5 43/64	1 47/64	5/16	1 9/32	3/4	-	44.00		
	3 15/16	ZMC6315										-	41.50		
	100.00	ZMC6100MM	206.3750	104.780	-	146.84	144.07	44.05				7.94	32.54	19.050	-
12	4 3/16	ZMC6403Y	8.7500	4 1/4	-	6 1/4	6 1/16	1 7/8	5/16	1 1/2	3/4	-	50.00		
	4 7/16	ZMC6407Y										-	47.00		
	110.00	ZMC6110MM	222.2500	107.950	-	158.75	153.99	47.63				7.94	32.54	19.050	-
13	4 15/16	ZMC6415	10.4370	5 9/16	6	7 15/16	6 61/64	2 1/4	5/16	1 1/2	3/4	7 25/32	95.00		
	125.00	ZMC6125MM	265.1000	141.290	152.40	201.61	176.61	57.15	7.94	32.54	19.050	197.640	43.00		
14	5 7/16	ZMC6507	11.5000	5 9/16	5 7/8	8 49/64	8 1/64	3 3/64	7/32	1 1/2	3/4	9 9/16	114.00		
15	5 15/16	ZMC6515	12.2500	5 7/8	6 1/8	9 19/64	8 21/32	3 7/16	7/32	1 1/2	3/4	10 3/8	134.00		
16	6 7/16	ZMC6607	13.5630	6 3/16	6 1/2	10	9 3/4	3 43/64	7/32	1 1/2	3/4	11 3/8	180.00		
	6 15/16	ZMC6615											167.00		

Additional Notes

- Please call 1-866-REXNORD for availability
- Lubrication fitting tap size: for size code 6 thru 11, 1/8" PT: for all other size codes, 1/4" PT
- Bore size = nominal shaft size +.001 in/-.000 in (+0.03 mm/-0.00 mm)
- O.D. tolerance, for size code 6 thru 11 +.000 in/-.002 in (+0.00 mm/-0.05 mm): for all other size codes, +.000 in/-.003 in (+0.00 mm/-0.08 mm)
- Seals - to specify K or M seal, replace "Z" in part number with "K" or "M"
- "K" seals only available in size codes 6 thru 11

- Auxiliary end caps - not available
- For the Selection Guide, Load Ratings and Speed Limits, see the Rex Spherical Roller Bearings Engineering section
- Note: Dimensions subject to change. Certified dimensions of ordered material furnished on request.

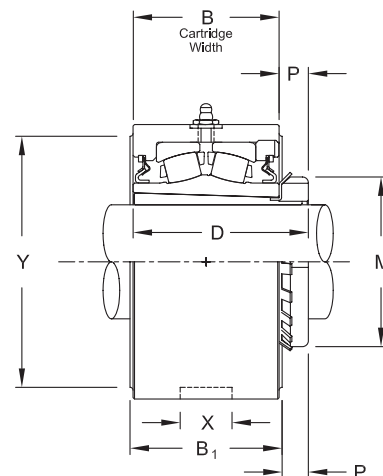
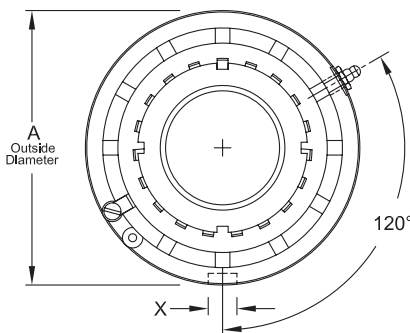
ZMC9000



Photo Shows a Spherical Roller Bearing Cartridge Unit with Cast Iron Housing

Product Features

- Corrosion-resistant powder coating
 - Cast iron housing
 - Misalignment capabilities - total of 4°
 - Broad range of sealing options
 - Factory set clearance & lubrication
 - Precision ground & superfinished raceways
 - Enhanced life mounting style
 - Field interchangeable seals
- See Features & Benefits for additional info.



Bearing Dimensions

Size Code	Shaft Diameter	Part Number	A Outside Diameter	B Cartridge Length	B1	D	M	X Depth	X Length	X Width	Approx. Weight
7	1 15/16	ZMC9115	4.5310	2 9/16	-	3 5/32	2 31/32	3/16	29/32	0.530	7.60
	2	ZMC9200									7.40
	45.00	ZMC9045MM	115.0880	65.090	-	80.17	75.40	4.76	23.02	13.460	3.50
	50.00	ZMC9050MM									3.40
8	2 3/16	ZMC9203	5.0000	2 5/8	-	3 11/32	3 3/8	3/16	29/32	0.530	9.60
	55.00	ZMC9055MM	127.0000	66.680	-	84.93	85.73	4.76	23.02	13.460	4.30
9	2 7/16	ZMC9207	5.8750	3 1/8	-	3 3/4	3 5/8	1/4	1 1/32	0.590	15.60
	2 1/2	ZMC9208									15.20
10	2 11/16	ZMC9211	6.7500	3 7/16	-	4 1/4	4 13/32	9/32	1 1/16	0.590	23.80
	2 15/16	ZMC9215									22.50
	3	ZMC9300	171.4500	87.310	-	107.95	111.92	6.35	26.19	14.990	22.10
	75.00	ZMC9075MM									10.00
11	3 3/16	ZMC9303	8.1250	4 1/8	-	5	5 3/16	5/16	1 9/32	3/4	41.00
	3 7/16	ZMC9307									39.40
	80.00	ZMC9080MM	206.3750	104.780	-	127.00	131.76	7.94	32.54	19.050	18.60
12	3 11/16	ZMC9311Y	8.7500	4 1/4	-	5 17/32	5 23/32	5/16	1 1/2	3/4	48.50
	3 15/16	ZMC9315Y									46.20
	4	ZMC9400Y	222.2500	107.950	-	140.49	145.26	7.94	32.54	19.050	45.70
	100.00	ZMC9100MM									21.00
13	4 3/16	ZMC9403	10.4370	5 9/16	6	6 3/4	6 1/8	5/16	1 1/2	3/4	92.00
	4 7/16	ZMC9407									90.00
14	4 15/16	ZMC9415	11.5000	5 9/16	5 7/8	7 1/16	7 3/32	7/32	1 1/2	3/4	115.00
	5	ZMC9500									108.00
15	5 7/16	ZMC9507	12.2500	5 7/8	6 1/8	7 5/16	8 1/16	7/32	1 1/2	3/4	130.00
	5 15/16	ZMC9515									175.00
16	6	ZMC9600	13.5630	6 3/16	6 1/2	7 3/4	9 1/16	7/32	1 1/2	3/4	177.00
	6 7/16	ZMC9607									170.00

Additional Notes

- Please call 1-866-REXNORD for availability
- Lubrication fitting tap size: for size code 7 thru 11, 1/8" PT; for all other size codes, 1/4" PT
- Bore size = nominal shaft size +.001 in/- .000 in (+0.03 mm/-0.00 mm)
- O.D. tolerance, for size code 7 thru 11 +.000 in/- .002 in (+0.00 mm/-0.05 mm); for all other size codes, +.000 in/- .003 in (+0.00 mm/-0.08 mm)
- Seals - to specify K or M seal, replace "Z" in part number with "K" or "M"
- "K" seals only available in size codes 7 thru 11

- Auxiliary end caps - not available
- For the Selection Guide, Load Ratings and Speed Limits, see the Rex Spherical Roller Bearings Engineering section
- Note: Dimensions subject to change. Certified dimensions of ordered material furnished on request.

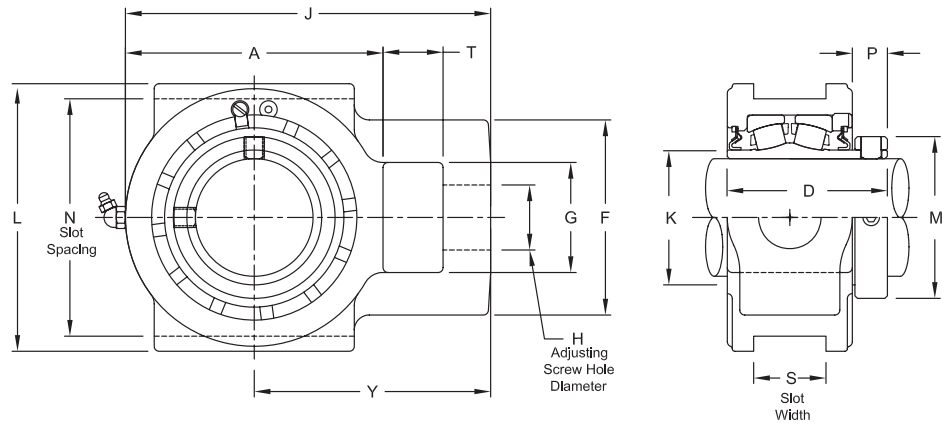
ZT2000



Photo Shows a Spherical Roller Bearing Take-up Unit

Product Features

- Corrosion-resistant powder coating
- Cast iron housing
- Misalignment capabilities - total of 4°
- Broad range of sealing options
- Factory set clearance & lubrication
- Precision ground & superfinished raceways
- Hardened spring locking collar
- Field interchangeable seals
- See Features & Benefits for additional info.



Bearing Dimensions

Size Code	Shaft Diameter	Part Number	H Adjusting Screw Hole Diameter	N Slot Spacing	S Slot Width	A	D	F	G	J	K	L	M	P	T	Y	Allowable Working Load	Approx. Weight
2	$\frac{3}{4}$	ZT22012	$\frac{3}{4}$	3	$\frac{17}{32}$	3	$2\frac{9}{16}$	2	$1\frac{1}{4}$	$4\frac{1}{16}$	$1\frac{5}{16}$	$3\frac{5}{8}$	$1\frac{3}{4}$	$\frac{9}{16}$	$\frac{5}{8}$	$2\frac{9}{16}$	4,400	4.00
	$\frac{15}{16}$	ZT22015															3,900	3.90
	1	ZT22100															1,995	1.80
	25.00	ZT22025MM	19.05	76.200	13.490	76.20	65.09	50.80	31.75	103.19	33.340	92.08	44.45	14.29	15.88	65.09	1,995	1.80
3	$1\frac{1}{8}$	ZT32102	$\frac{7}{8}$	$3\frac{1}{2}$	$\frac{17}{32}$	$3\frac{3}{8}$	$2\frac{11}{16}$	$2\frac{5}{16}$	$1\frac{7}{16}$	$4\frac{9}{16}$	$1\frac{17}{32}$	$4\frac{1}{8}$	$1\frac{31}{32}$	$\frac{9}{16}$	$\frac{5}{8}$	$2\frac{7}{8}$	5,700	5.50
	$1\frac{3}{16}$	ZT32103															5,400	5.40
	$1\frac{1}{4}$	ZT32104															5,300	5.30
	30.00	ZT32030MM	22.23	88.900	13.490	85.73	68.26	58.74	36.51	141.29	38.890	104.78	50.00	14.29	15.88	73.03	2,585	2.40
4	$1\frac{7}{16}$	ZT42107	$\frac{7}{8}$	$3\frac{1}{2}$	$\frac{17}{32}$	$3\frac{3}{4}$	$2\frac{7}{8}$	$2\frac{7}{16}$	$1\frac{7}{16}$	$5\frac{1}{16}$	$1\frac{3}{4}$	$4\frac{1}{8}$	$2\frac{5}{16}$	$\frac{11}{16}$	$\frac{5}{8}$	$3\frac{1}{4}$	7,600	6.40
	$1\frac{1}{2}$	ZT42108															6,300	6.30
	35.00	ZT42035MM															22.23	88.900
5	$1\frac{11}{16}$	ZT52111	$1\frac{1}{8}$	4	$\frac{11}{16}$	$4\frac{1}{4}$	$3\frac{1}{8}$	$3\frac{5}{16}$	$1\frac{3}{4}$	$5\frac{15}{16}$	$2\frac{1}{32}$	$4\frac{3}{4}$	$1\frac{19}{32}$	$\frac{11}{16}$	$\frac{15}{16}$	$3\frac{13}{16}$	12,300	9.80
	$1\frac{3}{4}$	ZT52112															9,700	9.70
	40.00	ZT52040MM															28.58	101.600
	45.00	ZT52045MM	28.58	101.600	17.460	107.95	79.38	84.14	44.45	150.81	51.590	120.65	65.88	17.46	23.81	96.84	5,580	4.40
6	$1\frac{15}{16}$	ZT62115	$1\frac{1}{8}$	4	$\frac{11}{16}$	$4\frac{1}{2}$	$3\frac{1}{8}$	$3\frac{5}{16}$	$1\frac{15}{16}$	$6\frac{3}{16}$	$2\frac{5}{16}$	$4\frac{1}{2}$	$2\frac{7}{8}$	$\frac{11}{16}$	$\frac{3}{4}$	$3\frac{15}{16}$	12,300	10.10
	2	ZT62200															9,900	9.90
	50.00	ZT62050MM															28.58	101.600
7	$2\frac{3}{16}$	ZT72203	$1\frac{3}{8}$	$4\frac{1}{2}$	$\frac{13}{16}$	5	$3\frac{5}{16}$	$3\frac{7}{8}$	$2\frac{1}{4}$	$7\frac{1}{8}$	$2\frac{5}{8}$	$5\frac{1}{4}$	$3\frac{1}{4}$	$\frac{13}{16}$	$1\frac{1}{4}$	$4\frac{5}{8}$	13,500	13.60
	$2\frac{1}{4}$	ZT72204															13,400	13.40
	55.00	ZT72055MM															34.93	114.300
8	$2\frac{3}{8}$	ZT82206	$1\frac{3}{8}$	$5\frac{1}{8}$	$1\frac{1}{16}$	$5\frac{1}{2}$	$3\frac{1}{2}$	$4\frac{1}{4}$	$2\frac{1}{4}$	$7\frac{13}{16}$	$2\frac{29}{32}$	$5\frac{7}{8}$	$3\frac{9}{16}$	$\frac{7}{8}$	$1\frac{1}{4}$	$5\frac{1}{16}$	20,900	18.30
	$2\frac{7}{16}$	ZT82207															18,200	18.20
	$2\frac{1}{2}$	ZT82208															17,900	17.90
	60.00	ZT82060MM	34.93	130.180	26.990	139.70	88.90	107.95	57.15	198.44	73.810	149.23	90.50	22.23	31.75	128.59	9,480	8.30
	65.00	ZT82065MM	34.93	130.180	26.990	139.70	88.90	107.95	57.15	198.44	73.810	149.23	90.50	22.23	31.75	128.59	9,480	8.10
9	$2\frac{11}{16}$	ZT92211	$1\frac{5}{8}$	$5\frac{15}{16}$	$1\frac{13}{16}$	$6\frac{7}{16}$	4	$4\frac{7}{8}$	$2\frac{3}{4}$	$9\frac{1}{8}$	$3\frac{3}{8}$	$6\frac{11}{16}$	$4\frac{1}{16}$	$\frac{7}{8}$	$1\frac{1}{2}$	$5\frac{15}{16}$	26,800	28.80
	$2\frac{3}{4}$	ZT92212															28,400	28.40
	$2\frac{15}{16}$	ZT92215															27,600	27.60
	3	ZT92300	27,000	27.00														
	70.00	ZT92070MM	41.28	150.810	46.040	163.51	101.60	123.83	69.85	231.78	85.730	169.86	103.20	20.64	38.10	150.81	12,150	12.90
	75.00	ZT92075MM	41.28	150.810	46.040	163.51	101.60	123.83	69.85	231.78	85.730	169.86	103.20	20.64	38.10	150.81	12,150	12.50
10	$3\frac{3}{16}$	ZT102303	$1\frac{7}{8}$	$6\frac{13}{16}$	$1\frac{13}{16}$	$7\frac{3}{8}$	$4\frac{3}{8}$	$5\frac{3}{8}$	$2\frac{7}{8}$	10	$3\frac{31}{32}$	$7\frac{13}{16}$	$4\frac{29}{32}$	$\frac{15}{16}$	$1\frac{5}{8}$	$6\frac{5}{16}$	27,300	42.50
	$3\frac{7}{16}$	ZT102307															27,300	40.50

Continued...

Continued...

Bearing Dimensions

Size Code	Shaft Diameter	Part Number	H Adjusting Screw Hole Diameter	N Slot Spacing	S Slot Width	A	D	F	G	J	K	L	M	P	T	Y	Allowable Working Load	Approx. Weight
10	3 1/2	ZT102308	1 7/8	6 13/16	1 13/16	7 3/8	4 3/8	5 3/8	2 7/8	10	3 31/32	7 13/16	4 29/32	15/16	1 5/8	6 5/16	27,300	40.00
	80.00	ZT102080MM	47.63	173.040	46.040	187.33	111.13	136.53	73.03	254.00	100.810	198.44	124.62	23.81	41.28	160.34	12,380	19.30
	85.00	ZT102085MM															18.40	
90.00	ZT102090MM	18.10																
11	3 11/16	ZT112311	2 1/8	8 5/8	2 1/16	8 7/8	5 1/16	5 3/8	3 3/8	12 1/8	4 9/16	9 7/16	5 5/8	1 1/32	2 1/8	7 11/16	45,400	71.00
	3 15/16	ZT112315																68.00
	4	ZT112400																67.00
	100.00	ZT112100MM																53.98

Additional Notes

Please call 1-866-REXNORD for availability
 Metric bore sizes available, see Rex Interchangeability guide
 Lubrication fitting tap size, 1/8 PT
 Bore size = nominal shaft size +.001 in/-.000 in (+0.03 mm/-0.00 mm)
 Take-up slot spacing & width tolerance, +.005 in/-.015 in (+0.13 mm/-0.38 mm)
 Seals - to specify K or M seal, replace "Z" in part number with "K" or "M"
 Auxilliary end caps - available in all size codes except for size codes 2 & 3

Allowable working load is 2/3 yield strength
 For the Selection Guide, Load Ratings and Speed Limits, see the Rex Spherical Roller Bearings Engineering section
 Note: Dimensions subject to change. Certified dimensions of ordered material furnished on request.

ZT3000

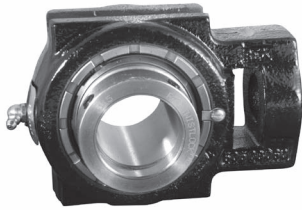
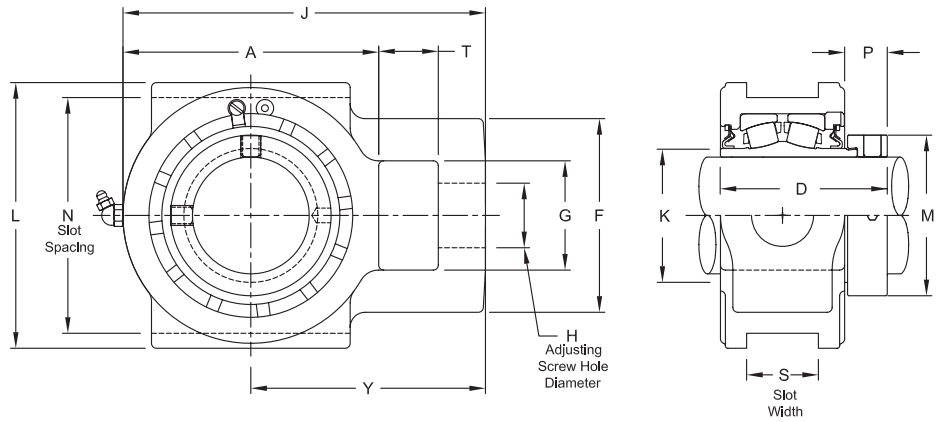


Photo Shows a Spherical Roller Bearing Take-up Unit

Product Features

- Corrosion-resistant powder coating
- Cast iron housing
- Misalignment capabilities - total of 4°
- Broad range of sealing options
- Factory set clearance & lubrication
- Precision ground & superfinished raceways
- Hardened eccentric locking collar
- Field interchangeable seals
- See Features & Benefits for additional info.



Bearing Dimensions

Size Code	Shaft Diameter	Part Number	H Adjusting Screw Hole Diameter	N Slot Spacing	S Slot Width	A	D	F	G	J	K	L	M	P	T	Y	Allowable Working Load (2/3 Yield Strength)	Approx. Weight
4	1 7/16	ZT43107	7/8	3 1/2	17/32	3 3/4	2 59/64	2 7/16	1 7/16	5 1/16	1 3/4	4 1/8	2 5/16	25/32	5/8	3 1/4	7,600	6.60
5	1 11/16	ZT53111	1 1/8	4	11/16	4 1/4	3 3/16	3 5/16	1 15/16	5 15/16	2 1/32	4 3/4	2 5/8	3/4	3/4	3 13/16	12,300	10.00
6	1 15/16	ZT63115	1 1/8	4	11/16	4 1/2	3 9/32	3 5/16	1 15/16	6 3/16	2 5/16	4 1/2	2 3/4	27/32	3/4	3 15/16	12,300	13.50
7	2 3/16	ZT73203	1 3/8	4 1/2	13/16	5	3 1/2	3 7/8	2 1/4	7 1/8	2 5/8	5 1/4	3 1/4	31/32	1 1/4	4 5/8	13,500	13.90
8	2 7/16	ZT83207	1 3/8	5 1/8	1 1/16	5 1/2	3 21/32	4 1/4	2 1/4	7 13/16	2 29/32	5 7/8	3 9/16	1 1/64	1 1/4	5 1/16	20,900	18.40
	2 1/2	ZT83208																18.30
9	2 11/16	ZT93211	1 5/8	5 15/16	1 13/16	6 7/16	4 13/64	4 7/8	2 3/4	9 1/8	3 3/8	6 11/16	4 1/16	1 1/64	1 1/2	5 15/16	26,800	29.00
	2 15/16	ZT93215																28.00
10	3 7/16	ZT103307	1 7/8	6 13/16	1 13/16	7 3/8	4 37/64	5 3/8	2 7/8	10	3 31/32	7 13/16	4 15/16	1 9/64	1 5/8	6 5/16	27,300	41.10
	3 1/2	ZT103308																40.90
11	3 15/16	ZT113315	2 1/8	8 5/8	2 1/16	8 7/8	5 3/16	5 3/8	3 3/8	12 3/8	4 9/16	9 7/16	5 5/8	1 1/16	2 1/8	7 11/16	45,400	68.00

Additional Notes

- Please call 1-866-REXNORD for availability
- Lubrication fitting tap size, 1/8 PT
- Bore size = nominal shaft size +.001 in/-.000 in (+0.03 mm/-0.00 mm)
- Take-up slot spacing & width tolerance, +.005 in/-.015 in (+0.13 mm/-0.38 mm)
- Seals - to specify K or M seal, replace "Z" in part number with "K" or "M"
- Auxiliary end caps - available in all size codes
- Allowable working load is 2/3 yield strength

For the Selection Guide, Load Ratings and Speed Limits, see the Rex Spherical Roller Bearings Engineering section
 Note: Dimensions subject to change. Certified dimensions of ordered material furnished on request.

ZT5000

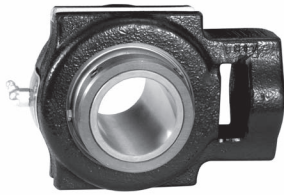
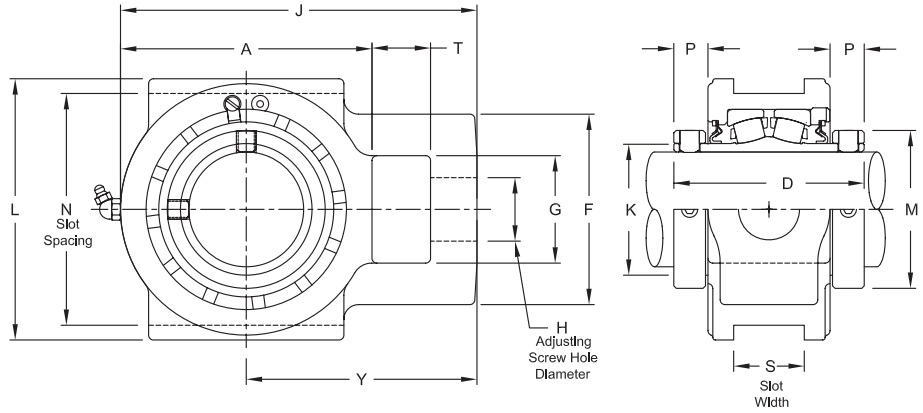


Photo Shows a Spherical Roller Bearing Take-up Unit

Product Features

- Corrosion-resistant powder coating
 - Cast iron housing
 - Misalignment capabilities - total of 4°
 - Broad range of sealing options
 - Factory set clearance & lubrication
 - Precision ground & superfinished raceways
 - Two hardened spring locking collars
 - Field interchangeable seals
- See Features & Benefits for additional info.



Bearing Dimensions

Size Code	Shaft Diameter	Part Number	H Adjusting Screw Hole Diameter	N Slot Spacing	S Slot Width	A	D	F	G	J	K	L	M	P	T	Y	Allowable Working Load	Approx. Weight
4	1 7/16	ZT45107	7/8	3 1/2	17/32	3 3/4	3 9/16	2 7/16	1 7/16	5 1/16	1 3/4	4 1/8	2 5/16	11/16	5/8	3 1/4	7,600	6.80
	35.00	ZT45035MM	22.23	88.900	13.490	95.25	90.49	61.91	36.51	128.59	44.450	104.78	58.74	17.46	15.88	82.55	3,447	3.10
5	1 1/2	ZT55108	1 1/8	4	1 1/16	4 1/4	3 13/16	3 5/16	1 3/4	5 15/16	2 1/32	4 3/4	2 19/32	11/16	15/16	3 13/16	12,300	10.90
	1 11/16	ZT55111																10.20
	40.00	ZT55040MM	28.58	101.600	17.460	107.95	96.84	84.14	44.45	150.81	51.590	120.65	65.88	17.46	23.81	96.84	5,580	4.90
6	45.00	ZT55045MM	4.90	4.60														
	1 15/16	ZT65115	1 1/8	4	11/16	4 1/2	3 13/16	3 5/16	1 15/16	6 3/16	2 5/16	4 1/2	2 7/8	11/16	3/4	3 15/16	12,300	10.80
7	50.00	ZT65050MM	28.58	101.600	17.460	114.30	96.84	84.14	49.21	157.16	58.740	114.30	73.03	17.46	19.05	100.01	5,580	4.90
	2	ZT75200	1 3/8	4 1/2	13/16	5	4 1/8	3 7/8	2 1/4	7 1/8	2 5/8	5 1/4	3 1/4	13/16	1 1/4	4 5/8	13,500	15.20
2 3/16	ZT75203	14.50																
8	55.00	ZT75055MM	34.93	114.300	20.640	127.00	104.78	98.43	57.15	180.98	66.680	133.35	82.60	20.64	31.75	117.48	6,120	6.60
	2 7/16	ZT85207	1 3/8	5 1/8	1 1/16	5 1/2	4 3/8	4 1/4	2 1/4	7 13/16	2 29/32	5 7/8	3 9/16	7/8	1 1/4	5 1/16	20,900	19.40
	60.00	ZT85060MM	34.93	130.180	26.990	139.70	111.13	107.95	57.15	198.44	73.810	149.23	90.50	22.23	31.75	128.59	9,480	8.80
9	65.00	ZT85065MM	8.80	8.50														
	2 1/2	ZT95208	1 5/8	5 15/16	1 13/16	6 7/16	4 7/8	4 7/8	2 3/4	9 1/8	3 3/8	6 11/16	4 1/16	7/8	1 1/2	5 15/16	26,800	31.50
	2 11/16	ZT95211																30.10
	2 15/16	ZT95215	28.80															
70.00	ZT95070MM	41.28	150.810	46.040	163.51	123.83	123.83	69.85	231.78	85.730	169.86	103.20	22.23	38.10	150.81	12,150	13.60	
10	75.00	ZT95075MM	13.00															
	3 3/16	ZT105303	1 7/8	6 13/16	1 13/16	7 3/8	5 5/16	5 3/8	2 7/8	10	3 31/32	7 13/16	4 29/32	15/16	1 5/8	6 5/16	27,300	44.00
	3 7/16	ZT105307																42.00
	80.00	ZT105080MM	20.00															
	85.00	ZT105085MM	19.00															
90.00	ZT105090MM	18.00																
11	3 11/16	ZT115311	2 1/8	8 5/8	2 1/16	8 7/8	6 1/8	5 3/8	3 3/8	12 1/8	4 9/16	9 7/16	5 5/8	1 1/32	2 1/8	7 11/16	45,400	75.00
	3 15/16	ZT115315																72.00
	4	ZT115400	71.00															
	100.00	ZT115100MM	53.98	219.080	52.390	225.43	155.58	136.53	85.73	307.98	115.890	239.71	142.90	26.19	53.98	195.26	20,600	33.00
12	4 3/16	ZT125403Y	2 1/8	9 1/2	2 1/16	9 13/16	6 1/4	6 3/8	3 3/8	13 7/16	5 1/32	10 3/8	6 3/16	1 1/16	2 1/8	8 11/16	53,700	94.00
	4 7/16	ZT125407Y																91.00
	4 1/2	ZT125408Y	90.00															
	110.00	ZT125110MM	53.98	241.300	52.390	249.24	158.75	161.93	85.73	341.31	127.790	263.53	157.16	26.99	53.98	220.66	24,350	41.00
13	115.00	ZT125115MM	40.00															
	4 15/16	ZT135415	2 3/8	10 1/4	2 1/16	10 7/8	7 7/8	6 1/4	3 3/4	14 7/8	5 3/4	11 1/4	7 1/16	1 5/32	2 1/2	9 7/16	68,000	130.00

Continued...

Continued...

Bearing Dimensions

Size Code	Shaft Diameter	Part Number	H Adjusting Screw Hole Diameter	N Slot Spacing	S Slot Width	A	D	F	G	J	K	L	M	P	T	Y	Allowable Working Load	Approx. Weight
13	5	ZT135500	2 ³ / ₈	10 ¹ / ₄	2 ¹ / ₁₆	10 ⁷ / ₈	7 ⁷ / ₈	6 ¹ / ₄	3 ³ / ₄	14 ⁷ / ₈	5 ³ / ₄	11 ¹ / ₄	7 ¹ / ₁₆	1 ⁵ / ₃₂	2 ¹ / ₂	9 ⁷ / ₁₆	68,000	127.00
	125.00	ZT135125MM	60.33	260.350	52.390	276.23	200.03	158.75	95.25	377.83	146.050	285.75	179.39	29.37	63.50	239.71	30,800	59.00
	130.00	ZT135130MM																57.00
14	5 ⁷ / ₁₆	ZT145507	3 ¹ / ₈	14 ¹ / ₈	2 ⁹ / ₁₆	15 ³ / ₈	8	8	5	20 ⁵ / ₈	6 ¹ / ₂	16	8 ³ / ₁₆	1 ⁷ / ₃₂	3 ¹ / ₂	12 ⁷ / ₁₆	140,900	417.00
	140.00	ZT145140MM	79.38	358.780	65.090	390.53	203.20	203.20	127.00	523.88	165.100	406.40	207.96	30.96	88.90	315.91	63,900	189.00
15	5 ¹⁵ / ₁₆	ZT155515	3 ¹ / ₈	14 ¹ / ₈	2 ⁹ / ₁₆	15 ³ / ₈	8 ¹ / ₈	8	5	20 ⁵ / ₈	7 ¹³ / ₆₄	16	8 ⁵ / ₈	1 ⁵ / ₃₂	3 ¹ / ₂	12 ¹⁵ / ₁₆	140,900	426.00
	6	ZT155600																424.00
	150.00	ZT155150MM	79.38	358.780	65.090	390.53	206.38	203.20	127.00	523.88	182.960	406.40	219.08	29.37	88.90	328.61	63,900	193.00
	160.00	ZT155160MM																192.00
16	6 ⁷ / ₁₆	ZT165607	3 ¹ / ₈	14 ¹ / ₈	2 ⁹ / ₁₆	15 ³ / ₈	8 ³ / ₄	8	5	20 ⁵ / ₈	8 ³ / ₆₄	16	9 ²³ / ₃₂	1 ⁹ / ₃₂	3 ¹ / ₂	12 ¹⁵ / ₁₆	165,300	433.00
	6 ¹⁵ / ₁₆	ZT165615																428.00
	7	ZT165700	79.38	358.780	65.090	390.53	222.25	203.20	127.00	523.88	204.390	406.40	246.86	32.54	88.90	328.61	74,900	426.00
	180.00	ZT165180MM																193.00

Additional Notes

Please call 1-866-REXNORD for availability

Metric bore sizes available, see Rex Interchangeability guide

Lubrication fitting tap size: for size code 4 thru 11, 1/8" PT: for all other size codes, 1/4" PT

Bore size = nominal shaft size +.001 in/-.000 in (+0.03 mm/-0.00 mm)

Take-up slot spacing & width tolerance, +.005 in/-.015 in (+0.13 mm/-0.38 mm)

Seals - to specify K or M seal, replace "Z" in part number with "K" or "M"

"K" seals only available in size codes 4 thru 11

Auxiliary end caps - available in all size codes

Allowable working load is 2/3 yield strength

For the Selection Guide, Load Ratings and Speed Limits, see the Rex Spherical Roller Bearings Engineering section

Note: Dimensions subject to change. Certified dimensions of ordered material furnished on request.

ZT6000

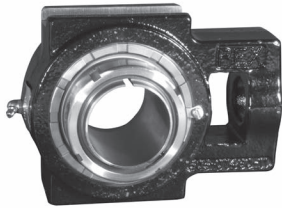
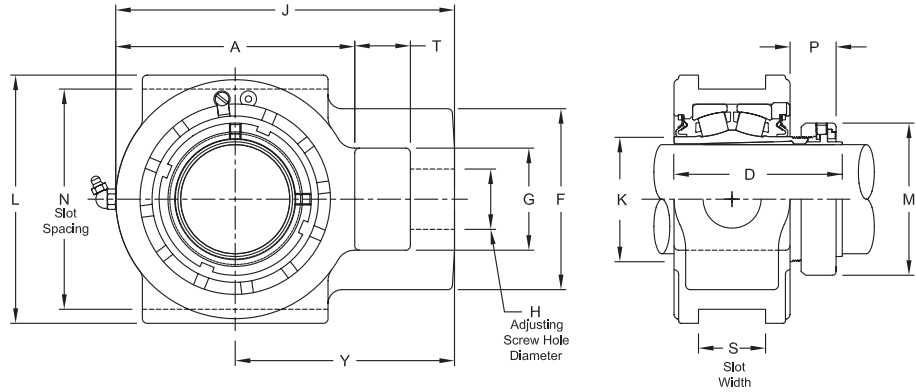


Photo Shows a Spherical Roller Bearing Take-up Unit

Product Features

- Spyglass™ Optical Strain Sensor (OSS) Technology
- Positive locking system
- Tapered adapter sleeve
- Corrosion-resistant powder coating
- Cast iron housing
- Misalignment capabilities - total of 4°
- Broad range of sealing options
- Factory set clearance & lubrication
- Precision ground & superfinished raceways
- See Features & Benefits for additional info.



Bearing Dimensions

Size Code	Shaft Diameter	Part Number	H Adjusting Screw Hole Diameter	N Slot Spacing	S Slot Width	A	D	F	G	J	K	L	M	P	T	Y	Allowable Working Load	Approx. Weight														
4	1 7/16	ZT46107	7/8	3 1/2	17/32	3 3/4	3 21/64	2 7/16	1 7/16	5 1/16	1 3/4	4 1/8	2 25/64	1 9/64	5/8	3 1/4	7,600	6.40														
5	1 11/16	ZT56111	1 1/8	4	11/16	4 1/4	3 47/64	3 5/16	1 3/4	5 1/16	2 1/32	4 3/4	2 41/64	1 9/32	15/16	3 13/16	12,300	9.80														
6	1 15/16	ZT66115	1 1/8	4	11/16	4 1/2	3 41/64	3 5/16	1 15/16	6 3/16	2 5/16	4 1/2	2 55/64	1 1/8	3/4	3 15/16	12,300	10.80														
	45.00	ZT66045MM	28.58	101.600	17.460	114.30	92.47	84.14	49.21	157.16	58.740	114.30	72.63	28.58	19.05	100.01	5,580	4.60														
7	2 3/16	ZT76203	1 3/8	4 1/2	13/16	5	3 11/16	3 7/8	2 1/4	7 1/8	2 5/8	5 1/4	3 15/64	1 5/32	1 1/4	4 5/8	13,500	15.20														
	55.00	ZT76055MM	34.93	114.300	20.640	127.00	93.66	98.43	57.15	180.98	66.680	133.35	82.15	29.37	31.75	117.48	6,120	6.60														
8	2 3/8	ZT86206	1 3/8	5 1/8	1 1/16	5 1/2	4 1/16	4 1/4	2 1/4	7 13/16	2 29/32	5 7/8	3 19/32	1 27/64	1 1/4	5 1/16	20,900	19.90														
	2 7/16	ZT86207															19.40															
	60.00	ZT86060MM	34.93	130.180	26.990	139.70	103.19	107.95	57.15	198.44	73.810	149.23	91.28	36.12	31.75	128.59	9,480	8.80														
9	2 11/16	ZT96211	1 5/8	5 15/16	1 13/16	6 7/16	4 17/32	4 7/8	2 3/4	9 1/8	3 3/8	6 11/16	4 3/32	1 25/64	1 1/2	5 15/16	26,800	31.50														
	2 3/4	ZT96212															30.10															
	2 15/16	ZT96215															28.80															
	70.00	ZT96070MM															41.28	150.810	46.040	163.51	115.09	123.83	69.85	231.78	85.730	169.86	103.98	35.32	38.10	150.81	12,150	13.60
75.00	ZT96075MM	13.00																														
10	3 3/16	ZT106303	1 7/8	6 13/16	1 13/16	7 3/8	5 1/32	5 3/8	2 7/8	10	3 31/32	7 13/16	4 61/64	1 19/32	1 5/8	6 5/16	27,300	44.00														
	3 7/16	ZT106307															42.00															
	80.00	ZT106080MM															47.63	173.040	46.040	187.33	127.79	136.53	73.03	254.00	100.810	198.44	125.81	40.48	41.28	160.34	12,380	20.00
	85.00	ZT106085MM															20.00															
11	3 11/16	ZT116311	2 1/8	8 5/8	2 1/16	8 7/8	5 25/32	5 3/8	3 3/8	12 1/8	4 9/16	9 7/16	5 43/64	1 47/64	2 1/8	7 11/16	45,400	75.00														
	3 15/16	ZT116315															72.00															
	100.00	ZT116100MM															53.98	219.080	52.390	225.43	146.84	136.53	85.73	307.98	115.890	239.71	144.07	44.05	53.98	195.26	20,600	33.00
12	4 3/16	ZT126403Y	2 1/8	9 1/2	2 1/16	9 13/16	6 1/4	6 3/8	3 3/8	13 7/16	5 1/32	10 3/8	6 1/16	1 7/8	2 1/8	8 11/16	53,700	94.00														
	4 7/16	ZT126407Y															91.00															
	110.00	ZT126110MM															53.98	241.300	52.390	249.24	158.75	161.93	85.73	341.31	127.790	263.53	153.99	47.63	53.98	220.66	24,350	41.00
13	4 15/16	ZT136415	2 3/8	10 1/4	2 1/16	10 7/8	7 15/16	6 1/4	3 3/4	14 7/8	5 3/4	11 1/4	6 61/64	2 1/4	2 1/2	9 7/16	68,000	130.00														
	125.00	ZT136125MM	60.33	260.350	52.390	276.23	201.61	158.75	95.25	377.83	146.050	285.75	176.61	57.15	63.50	239.71	30,800	59.00														
14	5 7/16	ZT146507	3 1/8	14 1/8	2 9/16	15 3/8	8 49/64	8	5	20 5/8	6 1/2	16	8 1/64	3 3/64	3 1/2	12 7/16	140,900	417.00														
15	5 15/16	ZT156515	3 1/8	14 1/8	2 9/16	15 3/8	9 19/64	8	5	20 5/8	7 13/64	16	8 21/32	3 7/16	3 1/2	12 15/16	140,900	426.00														
16	6 7/16	ZT166607	3 1/8	14 1/8	2 9/16	15 3/8	10	8	5	20 5/8	8 3/64	16	9 3/4	3 43/64	3 1/2	12 15/16	165,300	433.00														
	6 15/16	ZT166615															428.00															

Additional Notes

- Please call 1-866-REXNORD for availability
- Lubrication fitting tap size: for size code 4 thru 11, 1/8" PT; for all other size codes, 1/4" PT
- Take-up slot spacing & width tolerance, +.005 in/-0.015 in (+0.13 mm/-0.38 mm)
- Seals - to specify K or M seal, replace "Z" in part number with "K" or "M"
- "K" seals only available in size codes 4 thru 11
- Auxiliary end caps - available in all size codes
- Allowable working load is 2/3 yield strength

For the Selection Guide, Load Ratings and Speed Limits, see the Rex Spherical Roller Bearings Engineering section
 Note: Dimensions subject to change. Certified dimensions of ordered material furnished on request.

ZT9000

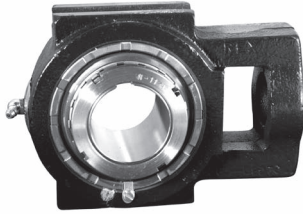
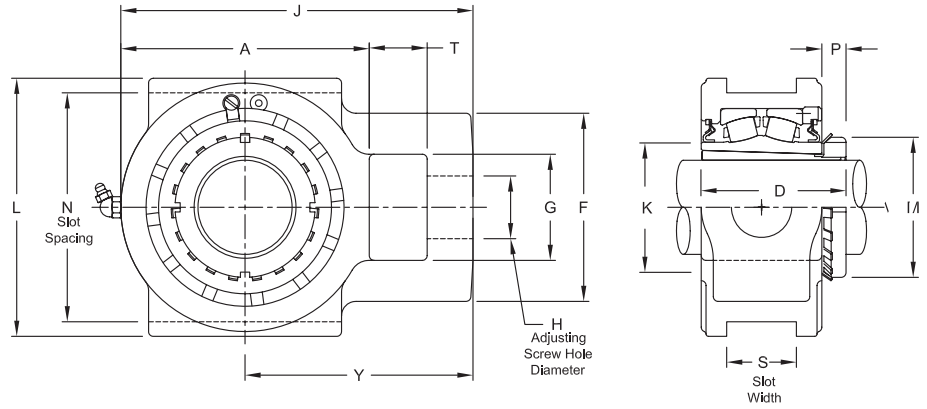


Photo Shows a Spherical Roller Bearing Take-up Unit

Product Features

- Corrosion-resistant powder coating
- Cast iron housing
- Misalignment capabilities - total of 4°
- Broad range of sealing options
- Factory set clearance & lubrication
- Precision ground & superfinished raceways
- Enhanced life mounting style
- Field interchangeable seals
- See Features & Benefits for additional info.



Bearing Dimensions

Size Code	Shaft Diameter	Part Number	H Adjusting Screw Hole Diameter	N Slot Spacing	S Slot Width	A	D	F	G	J	K	L	M	P	T	Y	Allowable Working Load	Approx. Weight
7	1 15/16	ZT79115	1 3/8	4 1/2	13/16	5	3 5/32	3 7/8	2 1/4	7 1/8	2 5/8	5 1/4	2 31/32	19/32	1 1/4	4 5/8	13,500	13.70
	2	ZT79200																13.60
	45.00	ZT79045MM	34.93	114.300	20.640	127.00	80.17	98.43	57.15	180.98	66.680	133.35	75.40	15.08	31.75	117.48	6,120	6.30
	50.00	ZT79050MM															6.10	
8	2 3/16	ZT89203	1 3/8	5 1/8	1 1/16	5 1/2	3 11/32	4 1/4	2 1/4	7 13/16	2 29/32	5 7/8	3 3/8	23/32	1 1/4	5 1/16	20,900	18.70
	55.00	ZT89055MM																34.93
9	2 7/16	ZT99207	1 5/8	5 15/16	1 13/16	6 7/16	3 3/4	4 7/8	2 3/4	9 1/8	3 3/8	6 11/16	3 5/8	5/8	1 1/2	5 15/16	26,800	29.10
	2 1/2	ZT99208																28.70
10	2 11/16	ZT109211	1 7/8	6 13/16	1 13/16	7 3/8	4 1/4	5 3/8	2 7/8	10	3 31/32	7 13/16	4 13/32	13/16	1 5/8	6 5/16	27,300	42.60
	2 15/16	ZT109215																41.40
	3	ZT109300	47.63	173.040	46.040	187.33	107.95	136.53	73.03	254.00	100.810	198.44	111.92	20.64	41.28	160.34	12,380	18.80
	75.00	ZT109075MM															40.70	
11	3 3/16	ZT119303	2 1/8	8 5/8	2 1/16	8 7/8	5	5 3/8	3 3/8	12 1/8	4 9/16	9 7/16	5 3/16	15/16	2 1/8	7 11/16	45,400	75.50
	3 7/16	ZT119307																73.50
	80.00	ZT119080MM	53.98	219.080	52.390	225.43	127.00	136.53	85.73	307.98	115.890	239.71	131.76	23.81	53.98	195.26	20,600	34.00
12	3 11/16	ZT129311Y	2 1/8	9 1/2	2 1/16	9 13/16	5 17/32	6 3/8	3 3/8	13 7/16	5 1/32	10 3/8	5 23/32	1 1/32	2 1/8	8 11/16	53,700	91.20
	3 15/16	ZT129315Y																88.90
	4	ZT129400Y	88.40															
100.00	ZT129100MM	53.98	241.300	52.390	249.24	140.49	161.93	85.73	341.31	127.790	263.53	145.26	26.19	53.98	220.66	24,350	41.30	
13	4 3/16	ZT139403	2 3/8	10 1/4	2 1/16	10 7/8	6 3/4	6 1/4	3 3/4	14 7/8	5 3/4	11 1/4	6 1/8	1 1/8	2 1/2	9 7/16	68,000	130.00
	4 7/16	ZT139407																128.00
14	4 15/16	ZT149415	3 1/8	14 1/8	2 9/16	15 3/8	7 1/16	8	5	20 5/8	6 1/2	16	7 3/32	1 1/8	3 1/2	12 7/16	140,900	411.00
5	ZT149500	410.00																
15	5 7/16	ZT159507	3 1/8	14 1/8	2 9/16	15 3/8	7 5/16	8	5	20 5/8	7 13/64	16	8 1/16	1 5/16	3 1/2	12 15/16	140,900	421.00
	5 15/16	ZT169515																428.00
16	6	ZT169600	3 1/8	14 1/8	2 9/16	15 3/8	7 3/4	8	5	20 5/8	8 3/64	16	9 1/16	1 11/16	3 1/2	12 15/16	165,300	427.00
	6 7/16	ZT169607																420.00

Additional Notes

- Please call 1-866-REXNORD for availability
- Lubrication fitting tap size: for size code 7 thru 11, 1/8" PT: for all other size codes, 1/4" PT
- Take-up slot spacing & width tolerance, ±.005 in/-.015 in (+0.13 mm/-0.38 mm)
- Seals - to specify K or M seal, replace "Z" in part number with "K" or "M"
- "K" seals only available in size codes 7 thru 11
- Auxiliary end caps - available in all size codes
- Allowable working load is 2/3 yield strength

For the Selection Guide, Load Ratings and Speed Limits, see the Rex Spherical Roller Bearings Engineering section
 Note: Dimensions subject to change. Certified dimensions of ordered material furnished on request.

ZHT5000

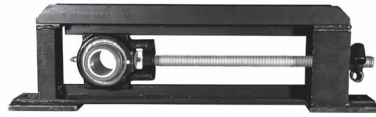
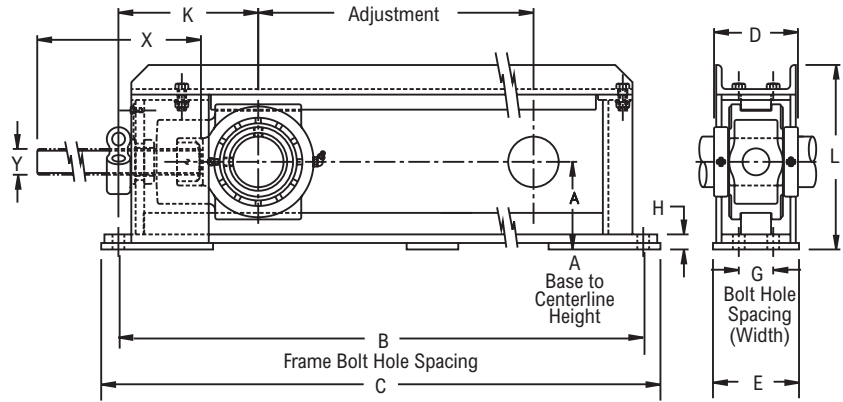


Photo Shows a Center Pull Take-up Frame with Spherical Roller Bearing Take-up Unit



Product Features

- Center pull type frame
- Corrosion-resistant powder coating
- Cast iron housing
- Misalignment capabilities - total of 3°
- Broad range of sealing options
- Factory set clearance & lubrication
- Precision ground & superfinished raceways
- Field interchangeable seals
- See Features & Benefits for additional info.

Bearing Dimensions

Size Code	Shaft Diameter	Complete Take-up Assembly	Travel Length	A Base to Centerline Height	B Frame Bolt Hole Spacing	G Bolt Hole Spacing (Width)	C	D	E	F	H	K	L	X	Y	Adjust.	Allowable Working Load	Approx. Weight										
2-Bolt																												
5	1 1/2	ZHT55108	12 18 24	3 15/16	27 1/2 33 1/2 39 1/2	-	29 1/2 35 1/2 41 1/2	3 13/16	4	5/8	7/8	6 9/16	8 7/16	19 1/2 25 1/2 31 1/2	1-8NC	15 21 27	12,300	59 69 77										
	1 11/16	ZHT55111	30 36		45 1/2 51 1/2		47 1/2 53 1/2							37 1/2 43 1/2		33 39		86 95										
	40 MM	ZHT55040MM	304.80 457.20 609.60 762.00 914.40		100.01		698.50 850.90 1003.30 1155.70 1308.10							-		749.30 901.70 1054.10 1206.50 1358.90		96.80	101.60	15.88	22.22	166.70	214.31	495.30 647.70 800.10 952.50 1104.90	1-8NC	381.00 533.40 685.80 838.20 990.60	54710.40	267.57 312.92 349.20 390.01 430.83
	6	1 15/16	ZHT65115	12 18 24 30 36	3 15/16	27 1/2 33 1/2 39 1/2 45 1/2 51 1/2	-	29 1/2 35 1/2 41 1/2 47 1/2 53 1/2	3 13/16	4	5/8	7/8	6 9/16	8 7/16	19 1/2 25 1/2 31 1/2 37 1/2 43 1/2	1-8NC	15 21 27 33 39	12,300	59 69 77 86 95									
		50 MM	ZHT65050MM	304.80 457.20 609.60 762.00 914.40		100.01		698.50 850.90 1003.30 1155.70 1308.10							-		749.30 901.70 1054.10 1206.50 1358.90		96.80	101.60	15.88	22.22	166.70	214.31	495.30 647.70 800.10 952.50 1104.90	1-8NC	381.00 533.40 685.80 838.20 990.60	54710.40
7		2	ZHT75200	12 18 24		4 7/16		27 1/2 33 1/2 39 1/2							-		29 1/2 35 1/2 41 1/2		4 1/8	4	5/8	1 3/16	6 13/16	9	20 26 32	1 1/4-7NC	15 21 27	13,000
		2 3/16	ZHT75203	30 36	45 1/2 51 1/2		47 1/2 53 1/2	38 44	33 39	98 108																		
		55 MM	ZHT75055MM	304.80 457.20 609.60 762.00 914.40	112.71		698.50 850.90 1003.30 1155.70 1308.10	-	749.30 901.70 1054.10 1206.50 1358.90	104.77	101.60	15.88	30.16	173.04		228.60	508.00 660.40 812.80 965.20 1117.60	1 1/4-7NC							381.00 533.40 685.80 838.20 990.60		57824.00	
8	2 7/16	ZHT85207	12 18 24 30 36	4 3/8	28 1/2 34 1/2 40 1/2 46 1/2 52 1/2	-	30 1/2 36 1/2 42 1/2 48 1/2 54 1/2	4 3/8	4	3/4	3/4	7 1/2	9 3/16	20 26 32 38 44	1 1/4-7NC	15 21 27 33 39	16,300	77 86 96 107 119										
	60 MM	ZHT85060MM	304.80 457.20 609.60 762.00 914.40		111.13		723.90 876.30 1028.70 1181.10 1333.50							-		774.70 927.10 1079.50 1231.90 1384.30		111.13	101.60	19.05	19.05	190.50	233.36	508.00 660.40 812.80 965.20 1117.60	1 1/4-7NC	381.00 533.40 685.80 838.20 990.60	72502.40	349.20 390.01 435.36 485.25 539.67
	65 MM	ZHT85065MM	304.80 457.20 609.60 762.00 914.40				723.90 876.30 1028.70 1181.10 1333.50							-		774.70 927.10 1079.50 1231.90 1384.30		111.13	101.60	19.05	19.05	190.50	233.36	508.00 660.40 812.80 965.20 1117.60	1 1/4-7NC	381.00 533.40 685.80 838.20 990.60	72502.40	349.20 390.01 435.36 485.25 539.67

Continued...

Continued...

Bearing Dimensions

Size Code	Shaft Diameter	Complete Take-up Assembly	Travel Length	A Base to Centerline Height	B Frame Bolt Hole Spacing	G Bolt Hole Spacing (Width)	C	D	E	F	H	K	L	X	Y	Adjust.	Allowable Working Load	Approx. Weight										
4-Bolt																												
9	2 1/2	ZHT95208	12 18	5 1/8	30 1/2 36 1/2	2	32 1/2 38 1/2	4 7/8	5	5/8	7/8	8 1/8	10 3/4	21 3/4 27 3/4	1 1/2-6NC	16 22	26,800	128 142										
	2 11/16	ZHT95211	24 30		42 1/2 48 1/2		44 1/2 50 1/2							33 3/4 39 3/4		28 34		159 174										
	2 15/16	ZHT95215	36		54 1/2		56 1/2							45 3/4		40		191										
	70 MM	ZHT95070MM	304.80 457.20 609.60	130.18	774.70 927.10	50.80	825.50 977.90	123.83	127.00	15.88	22.22	166.70	206.38	552.45 704.85	1 1/2 - 6NC	406.40 558.80	119,206.40	580.48 643.97										
	75 MM	ZHT95075MM	762.00 914.40		1079.50 1231.90 1384.30		1130.30 1282.70 1435.10							857.25 1009.65 1162.05		711.20 863.60 1016.00		789.09 866.19										
10	3 3/16	ZHT105303	12 18	5 5/8	32 38	2	34 1/4 40 1/4	5 5/16	5	3/4	7/8	8 3/4	11 13/16	22 28	1 3/4-5NC	16 1/4 22 1/4	27,300	152 177										
	3 7/16	ZHT105307	24 30 36		44 50 56		46 1/4 52 1/4 58 1/4							34 40 46		28 1/4 34 1/4 40 1/4		186 205 224										
	80 MM	ZHT105080MM	304.80 457.20		142.88		812.80 965.20							50.80		869.95 1022.35		134.94	127.00	19.05	22.22	222.25	300.04	558.80 711.20	1 3/4-5NC	444.50 596.90	121,430.40	689.32 802.70
	85 MM	ZHT105085MM	609.60 762.00	1117.60 1270.00		1174.75 1327.15	863.60 1016.00	749.30 901.70	843.51 929.68																			
	90 MM	ZHT105090MM	914.40	1422.40		1479.55	1168.40	1054.10	1015.84																			
11	3 11/16	ZHT115311	12 18 24 30 36	7	36 42 48 54 60	2 1/2	38 1/2 44 1/2 50 1/2 56 1/2 62 1/2	6 1/4	6	3/4	7/8	10 5/8	14 3/16	26 32 38 44 50	2-4 1/2NC	17 1/2 23 1/2 29 1/2 35 1/2 41 1/2	38,400	241 270 290 311 337										
	100 MM	ZHT115100MM	304.80 457.20 609.60 762.00 914.40		177.80		914.40 1066.80 1219.20 1371.60 1524.00							63.50		977.90 1130.30 1282.70 1435.10 1587.50		158.75	152.40	19.05	22.22	269.88	360.36	660.40 812.80 965.20 1117.60 1270.00	2-4 1/2NC	444.50 596.90 749.30 901.70 1054.10	170,803.20	1092.94 1224.45 1315.15 1410.39 1528.30
12	4 3/16	ZHT125403Y	12 18 24 30	7 1/2	40 3/4 46 3/4	5	45 3/4 51 3/4	6 1/4	8 7/8	1 1/8	1	12 1/4	15 1/2	26 32 38	2-4 1/2 NC	19 25 31	53,300	331 362 391										
	4 7/16	ZHT125407Y	36 42		58 3/4 64 3/4 70 3/4		63 3/4 69 3/4 75 3/4							44 50 56		37 43 49		410 433 461										

Continued...

Continued...

Bearing Dimensions

Size Code	Shaft Diameter	Complete Take-up Assembly	Travel Length	A Base to Centerline Height	B Frame Bolt Hole Spacing	G Bolt Hole Spacing (Width)	C	D	E	F	H	K	L	X	Y	Adjust.	Allowable Working Load	Approx. Weight
4-Bolt (continued)																		
12	110 MM	ZHT125110MM	304.80 457.20 609.60 762.00	190.50	1035.05 1187.45 1339.85 1492.25	127.00	1111.25 1314.45 1466.85 1619.25	158.75	225.43	28.58	25.40	309.88	393.70	660.40 812.80 965.20 1117.60	2-4 1/2NC	482.60 635.00 787.40 939.80	237,078.40	1501.09 1641.67 1773.19 1859.35
	115 MM	ZHT125115MM	914.40 1066.80		1644.65 1797.05		1009.65 1924.05							1270.00 1422.40				1092.20 1244.60
13	4 15/16	ZHT135415	12 18 24	8 1/8	44 1/2 50 1/2 56 1/2	5 1/2	49 1/2 55 1/2 61 1/2	7 7/8	9 7/8	1 1/8	1	13 1/2	16 3/4	29 35 41	2 1/4- 4 1/2 NC	20 1/4 26 1/4 32 1/4	68,000	440 460 496
		5	ZHT135500		30 36 42		62 1/2 68 1/2 74 1/2							67 1/2 73 1/2 79 1/2		47 53 59		38 1/4 44 1/4 50 1/4
	125 MM	ZHT135125MM	304.80 457.20 609.60 762.00	206.37	1130.30 1282.70 1435.10	139.70	1257.30 1409.70 1562.10	200.00	250.83	28.50	25.40	342.90	171.45	745.49 1041.40 1193.80	2-4 1/2NC	514.35 666.75 819.15	302,464.00	1995.40 2086.10 2249.36
	130 MM	ZHT135135MM	762.00 914.40 1066.80		1587.50 1739.90 1892.30		1714.50 1866.90 2019.30							1361.19 1866.90 2019.30		971.55 1123.95 1276.35		2389.95 2516.93 2662.05
14	5 7/16	ZHT145507	18 30 42	10 9/16	55 67 79	7	61 73 85	8	12	1 3/4	1 1/2	23 1/2	22 1/2	36 48 60	3- 4 NC	18 30 42	136,700	1293 1420 1547
	140 MM	ZHT145140MM	457.20 762.00 1066.80	298.29	1397.00 1701.80 2006.60	177.80	1549.40 1854.20 2159.00	203.20	304.80	44.45	12.70	596.90	571.50	914.40 1219.20 1524.00	3-4NC	457.20 762.00 1066.80	608,041.60	5863.76 6439.70 7015.65
15	5 15/16	ZHT155515	18 30 42	10 9/16	55 67 79	7	61 73 85	8 1/8	12	1 3/4	1 1/2	23 1/2	22 1/2	36 48 60	3- 4 NC	18 30 42	136,700	1300 1427 1554
	150 MM	ZHT155150MM	457.20 762.00	298.29	1397.00 1701.80	177.80	1549.40 1854.20	206.38	304.80	44.45	12.70	596.90	571.50	914.40 1219.20	3-4NC	457.20 762.00	608,041.60	5895.50 6471.45
	160 MM	ZHT155160MM	762.00 1066.80		2006.60		2159.00							1524.00		1066.80		7047.39
16	6 7/16	ZHT165607	18	10 9/16	55	7	61	8 3/4	12	1 3/4	1 1/2	23 1/2	22 1/2	36	3-4 NC	18	136,700	1304
	6 15/16	ZHT165615	30		67		73							48		30		1431
	7	ZHT165700	42		79		85							60		42		1558
	180 MM	ZHT165180MM	457.20 762.00 1066.80		298.29		1397.00 1701.80 2006.60							177.80		1549.40 1854.20 2159.00		222.25

Additional Notes

Please call 1-866-REXNORD for availability
 Metric bore sizes available, see Rex Interchangeability guide
 Lubrication fitting tap size: for size code 5 thru 11, 1/8" PT: for all other size codes, 1/4" PT
 Bore size = nominal shaft size +.001 in/-.000 in (+0.03 mm/-0.00 mm)
 Seals - To specify K or M seal, replace "Z" in part number with "K" or "M"
 "K" seals only available in size codes 5 thru 11
 Auxiliary end caps - available in all size codes

Allowable working load is 2/3 yield strength
 For the Selection Guide, Load Ratings and Speed Limits, see the Rex Spherical Roller Bearings Engineering section
 Note: Dimensions subject to change. Certified dimensions of ordered material furnished on request.

ZHT6000

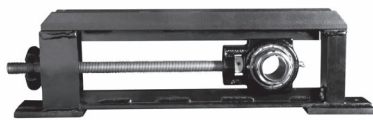
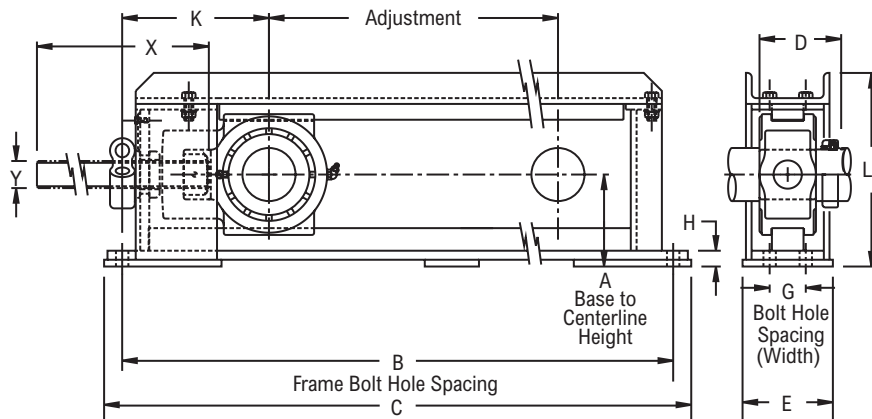


Photo Shows a Center Pull Take-up Frame with Spherical Roller Bearing Take-up Unit

Product Features

- Spyglass™ Optical Strain Sensor (OSS) Technology
- Positive locking system
- Tapered adapter sleeve
- Center pull type frame
- Corrosion-resistant powder coating
- Cast iron housing
- Misalignment capabilities - total of 3°
- Broad range of sealing options
- Factory set clearance & lubrication
- See Features & Benefits for additional info.



Bearing Dimensions

Size Code	Shaft Diameter	Complete Take-up Assembly	Travel Length	A Base to Centerline Height	B Frame Bolt Hole Spacing	G Bolt Hole Spacing (Width)	C	D	E	F	H	K	L	X	Y	Adjust.	Allowable Working Load	Approx. Weight
2-Bolt																		
5	1 15/16	ZHT56111	12.000	3 15/16	27 1/2	-	29 1/2	3 41/64	4	5/8	7/8	6 9/16	8 7/16	19 1/2	1-8 NC	15	12,300	59.00 lb
			18.000		33 1/2		35 1/2							25 1/2		21		69.00 lb
			24.000		39 1/2		41 1/2							31 1/2		27		77.00 lb
			30.000		45 1/2		47 1/2							37 1/2		33		86.00 lb
			36.000		51 1/2		53 1/2							43 1/2		39		95.00 lb
6	1 15/16	ZHT66115	12	3 15/16	27 1/2	-	29 1/2	3 41/64	4	5/8	7/8	6 9/16	8 7/16	19 1/2	1-8 NC	15	12,300	59
			18		33 1/2		35 1/2							25 1/2		21		69
			24		39 1/2		41 1/2							31 1/2		27		77
			30		45 1/2		47 1/2							37 1/2		33		86
			36		51 1/2		53 1/2							43 1/2		39		95
	45 MM	ZHT66045MM	304.80	100.01	698.50	-	749.30	92.47	101.60	15.88	22.22	166.70	214.31	495.30	1-8NC	381.00	54,710.40	267.57
			457.20		850.90		901.70							647.70		533.40		312.92
			609.60		1003.30		1054.10							800.10		685.80		349.20
			762.00		1155.70		1206.50							952.50		838.20		390.01
			914.40		1308.10		1358.90							1104.90		990.60		430.83
7	2 3/16	ZHT76203	12	4 7/16	27 1/2	-	29 1/2	3 49/64	4	5/8	1 3/16	6 13/16	9	20	1 1/4-7 NC	15	13,000	70
			18		33 1/2		35 1/2							26		21		81
			24		39 1/2		41 1/2							32		27		90
			30		45 1/2		47 1/2							38		33		98
			36		51 1/2		53 1/2							44		39		108
	55 MM	ZHT76055MM	304.80	112.71	698.50	-	749.30	95.65	101.60	15.88	30.16	173.04	228.60	508.00	1 1/4-7NC	381.00	57,824.00	317.45
			457.20		850.90		901.70							660.40		533.40		367.34
			609.60		1003.30		1054.10							812.80		685.80		408.15
			762.00		1155.70		1206.50							965.20		838.20		444.43
			914.40		1308.10		1358.90							1117.60		990.60		489.78
8	2 3/8	ZHT86206	12	4 3/8	28 1/2	-	30 1/2	4 5/32	4	3/4	3/4	7 1/2	9 3/16	20	1 1/4-7 NC	15	16,300	77
			18		34 1/2		36 1/2							26		21		86
	2 7/16	ZHT86207	24		40 1/2		42 1/2							32		27		96
			30		46 1/2		48 1/2							38		33		107
			36		52 1/2		54 1/2							44		39		119
60 MM	ZHT86060MM	304.80	111.13	723.90	-	774.70	105.57	101.60	19.05	19.05	190.50	233.36	508.00	1 1/4-7NC	381.00	72502.40	349.20	
		457.20		876.30		927.10							660.40		533.40		390.01	
		609.60		1028.70		1079.50							812.80		685.80		435.36	
		762.00		1181.10		1231.90							965.20		838.20		485.25	
		914.40		1333.50		1384.30							1117.60		990.60		539.67	

Continued...

Continued...

Bearing Dimensions

Size Code	Shaft Diameter	Complete Take-up Assembly	Travel Length	A Base to Centerline Height	B Frame Bolt Hole Spacing	G Bolt Hole Spacing (Width)	C	D	E	F	H	K	L	X	Y	Adjust.	Allowable Working Load	Approx. Weight
4-Bolt																		
9	2 11/16	ZHT96211	12	5 1/8	30 1/2	2	32 1/2	4 17/32	5	5/8	7/8	8 1/8	10 3/4	21 3/4	1 1/2-6 NC	16	26,800	128
			18		36 1/2		38 1/2							22		142		
	2 3/4	ZHT96212	24		42 1/2		44 1/2							28		159		
	2 15/16	ZHT96215	30	48 1/2	50 1/2	34	174											
			36	54 1/2	56 1/2	40	191											
	70 MM	ZHT96070MM	304.80 457.20 609.60	130.18	774.70 927.10	50.80	825.50 977.90	115.09	127.00	15.88	22.22	166.70	206.38	552.45 704.85	1 1/2-6NC	406.40 558.80	119206.40	580.48 643.97
	75 MM	ZHT96075MM	762.00 914.40		1079.50 1231.90 1384.30		1130.30 1282.70 1435.10							857.25 1009.65 1162.05		863.60 1016.00 1168.40		711.20 863.60 1016.00
10	3 3/16	ZHT106303	12	5 5/8	32	2	34 1/4	5 9/64	5	3/4	7/8	8 3/4	11 13/16	22	1 3/4-5 NC	16 1/4	27,300	152
			18		38		40 1/4							22		177		
	3 7/16	ZHT106307	24		44		46 1/4							28		186		
			30	50	52 1/4	34	205											
			36	56	58 1/4	40	224											
	80 MM	ZHT106080MM	304.80 457.20 609.60	142.88	812.80 965.20	50.80	869.95 1022.35	130.57	127.00	19.05	22.22	222.25	300.04	558.80 711.20	1 3/4-5NC	444.50 596.90	121,430.40	689.32 802.70
	85 MM	ZHT106085MM	762.00 914.40		1117.60 1270.00 1422.40		1174.75 1327.15 1479.55							863.60 1016.00 1168.40		749.30 901.70 1054.10		
11	3 11/16	ZHT116311	12	7	36	2 1/2	38 1/2	5 31/32	6	3/4	7/8	10 5/8	14 3/16	26	2-4 1/2 NC	17 1/2	38,400	241
			18		42		44 1/2							23 1/2		270		
	3 15/16	ZHT116315	24		48		50 1/2							29 1/2		290		
			30	54	56 1/2	35 1/2	311											
			36	60	62 1/2	41 1/2	337											
	100 MM	ZHT116100MM	304.80 457.20 609.60	177.80	914.40 1066.80	63.50	977.90 1130.30	151.61	152.40	19.05	22.22	269.88	360.36	660.40 812.80	2-4 1/2NC	444.50 596.90	170803.20	1092.94 1224.45
		762.00 914.40	1219.20 1371.60 1524.00		1282.70 1435.10 1587.50		965.20 1117.60 1270.00							749.30 901.70 1054.10				
12	4 3/16	ZHT126403Y	12	7 1/2	40 3/4	5	45 3/4	6 1/4	8 7/8	1 1/8	1	12 1/4	15 1/2	26	2-4 1/2 NC	19	53,300	331
			18		46 3/4		51 3/4							25		362		
	4 7/16	ZHT126407Y	24		52 3/4		57 3/4							31		391		
			30	58 3/4	63 3/4	37	410											
			36	64 3/4	69 3/4	43	433											
		42	70 3/4	75 3/4	49	461												
	110 MM	ZHT126110MM	304.80 457.20 609.60	190.50	1035.05 1187.45	127.00	1111.25 1314.45	158.75	225.43	28.58	25.40	309.88	393.70	660.40 812.80	2-4 1/2NC	482.60 635.00	237,078.40	1501.09 1641.67
		762.00 914.40 1066.80	1339.85 1492.25 1644.65 1797.05		1466.85 1619.25 1009.65 1924.05		965.20 1117.60 1270.00 1422.40							787.40 939.80 1092.20 1244.60		1773.19 1859.35 1963.66 2090.64		

Continued...

Bearing Dimensions

Size Code	Shaft Diameter	Complete Take-up Assembly	Travel Length	A Base to Centerline Height	B Frame Bolt Hole Spacing	G Bolt Hole Spacing (Width)	C	D	E	F	H	K	L	X	Y	Adjust.	Allowable Working Load	Approx. Weight
4-Bolt (continued)																		
13	4 15/16	ZHT136415	12 18 24 30 36 42	8 1/8	44 1/2 50 1/2 56 1/2 62 1/2 68 1/2 74 1/2	5 1/2	49 1/2 55 1/2 61 1/2 67 1/2 73 1/2 79 1/2	7 15/16	9 7/8	1 1/8	1	13 1/2	16 3/4	29 35 41 47 53 59	2 1/4- 4 1/2 NC	20 1/4 26 1/4 32 1/4 38 1/4 44 1/4 50 1/4	68,000	440 460 496 527 555 587
	125 MM	ZHT136125MM	304.80 457.20 609.60 762.00 914.40 1066.80	206.37	1130.30 1282.70 1435.10 1587.50 1739.90 1892.30	139.70	1257.30 1409.70 1562.10 1714.50 1866.90 2019.30	198.44	250.83	28.50	25.40	342.90	171.45	745.49 1041.40 1193.80 1361.19 1866.90 2019.30	2-4 1/2NC	514.35 666.75 819.15 971.55 1123.95 1276.35	302,464.00	1995.40 2086.10 2249.36 2389.95 2516.93 2662.05

Additional Notes

Please call 1-866-REXNORD for availability
 Lubrication fitting tap size: for size code 6 thru 11, 1/8" PT; for all other size codes, 1/4" PT
 Seals - To specify K or M seal, replace "Z" in part number with "K" or "M"
 "K" seals only available in size codes 6 thru 11
 Auxiliary end caps - available in all size codes
 Allowable working load is 2/3 yield strength

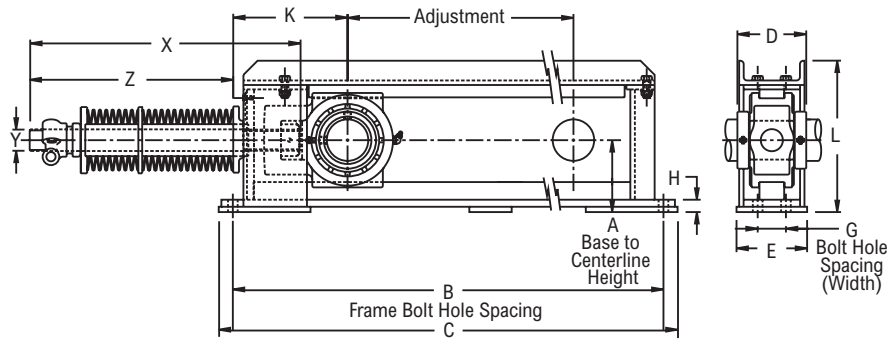
For the Selection Guide, Load Ratings and Speed Limits, see the Rex Spherical Roller Bearings Engineering section
 Note: Dimensions subject to change. Certified dimensions of ordered material furnished on request.



Photo Shows a Center Pull Spring Loaded Take-up Frame with Spherical Roller Bearing Take-up Unit

Product Features

- Center pull type spring loaded frame
- Corrosion-resistant powder coating
- Cast iron housing
- Misalignment capabilities - total of 3°
- Broad range of sealing options
- Factory set clearance & lubrication
- Precision ground & superfinished raceways
- Field interchangeable seals
- See Features & Benefits for additional info.



Bearing Dimensions

Size Code	Shaft Diameter	Part Number	A	B	C	D	E	F	G	H	K	L	X	Y	Z	Working Load Inches of Spring Deflection			Allowable Working Load	Approx. Weight																		
																1	3	5																				
2-Bolt																																						
5	1 1/2	ZST5510818	3 15/16	33 1/2	35 1/2	3 13/16	4	5/8	-	7/8	6 9/16	8 7/16	43	1-8 NC	39	870	1,800	3,400	12,300	69.00																		
	1 11/16	ZST5511118																																				
	40.00	ZHT55040MM18																			100.01	851.00	902.00	96.84	101.60	16.00	-	22.23	166.69	214.31	648.00	1-8 NC	990.60	395	816	1,540	5,580	31.00
	45.00	ZHT55045MM18																																				
6	1 15/16	ZST6511518	3 15/16	33 1/2	35 1/2	3 13/16	4	5/8	-	7/8	6 9/16	8 7/16	43	1-8 NC	39	870	1,800	3,400	12,300	69.00																		
	50.00	ZHT65050MM18																			100.01	851.00	902.00	96.84	101.60	16.00	-	22.23	166.69	214.31	648.00	1-8 NC	990.60	395	816	1,540	5,580	31.00
7	2	ZST7520018	4 7/16	33 1/2	35 1/2	4 1/8	4	5/8	-	1 3/16	6 13/16	9	43	1 1/4 -7 NC	39	870	1,800	3,400	13,000	81.00																		
	2 3/16	ZST7520318																																				
	55.00	ZHT75055MM18																			112.71	851.00	902.00	104.78	101.60	16.00	-	30.16	173.04	228.60	660.00	1 1/4 -7 NC	990.60	395	816	1,540	5,890	37.00
8	2 7/16	ZST8520718	4 3/8	34 1/2	36 1/2	4 3/8	4	3/4	-	3/4	7 1/2	9 3/16	43	1 1/4 -7 NC	39	870	1,800	3,400	16,300	86.00																		
	60.00	ZHT85060MM18																			111.13	876.00	927.00	111.13	101.60	19.00	-	19.05	190.50	233.36	660.00	1 1/4 -7 NC	990.60	395	816	1,540	7,390	39.00
	65.00	ZHT85065MM18																																				
4-Bolt																																						
9	2 1/2	ZST9520818	5 1/8	36 1/2	38 1/2	4 7/8	5	5/8	2	7/8	8 1/8	10 3/4	45	1 1/2-6 NC	40 1/4	1,300	3,400	5,250	26,800	142.00																		
	2 11/16	ZST9521118																																				
	2 15/16	ZST9521518																																				
	70.00	ZHT95070MM18																			130.18	927.00	978.00	123.83	127.00	16.00	50.80	22.23	206.38	273.05	705.00	1 1/2-6 NC	1,022.35	590	1,540	2,380	12,150	65.00
	75.00	ZHT95075MM18																																				
10	3 3/16	ZST10530318	5 5/8	38	40 1/4	5 5/16	5	3/4	2	7/8	8 3/4	11 13/16	45	1 3/4-5 NC	40 1/4	1,800	3,700	6,800	27,300	177.00																		
	3 7/16	ZST10530718																																				
	80.00	ZHT105080MM18																			142.88	965.00	1,022.00	134.94	127.00	19.00	50.80	22.23	222.25	300.04	711.00	1 3/4-5 NC	1,022.35	816	1,680	3,080	12,380	80.00
		85.00																			ZHT105085MM18																	
	90.00	ZHT105090MM18																																				
11	3 11/16	ZST11531118	7	42	44 1/2	6 1/8	6	3/4	2 1/2	7/8	10 5/8	14 3/16	48 1/2	2-4 1/2 NC	41	2,600	5,200	9,400	38,400	270.00																		
	3 15/16	ZST11531518																																				
	4	ZST11540018																																				
	100.00	ZHT115100MM18	177.80	1,067.00	1,130.00	155.58	152.40	19.00	63.50	22.23	269.88	360.36	812.00	2-4 1/2 NC	1,041.40	1,180	2,350	4,260	17,410	123.00																		
12	4 3/16	ZST125403Y18	7 1/2	46 3/4	51 3/4	6 1/4	8 7/8	1 1/8	5	1	12 1/4	15 1/2	48 1/2	2-4 1/2 NC	41	2,600	5,200	9,400	53,300	362.00																		
	4 7/16	ZST125407Y18																																				

Continued...

Continued...

Bearing Dimensions

Size Code	Shaft Diameter	Part Number	A	B	C	D	E	F	G	H	K	L	X	Y	Z	Working Load Inches of Spring Deflection			Allowable Working Load	Approx. Weight
																1	3	5		
12	110.00	ZHT125110MM18	190.50	1,187.00	1,314.00	158.75	225.43	28.00	127.00	25.40	311.15	393.70	813.00	2-4 1/2 NC	1,041.40	1,180	2,350	4,260	24,170	164.00
	115.00	ZHT125115MM18																		
13	4 15/16	ZST13541518	8 1/8	50 1/2	55 1/2	7 7/8	9 7/8	1 1/8	5 1/2	1	13 1/2	16 3/4	52	2 1/4-4 1/2 NC	45 1/2	1,180	2,350	4,260	68,000	460.00
	5	ZST13550018														4,475	11,200	18,000		
	125.00	ZHT135125MM18	206.38	1,283.00	1,410.00	200.03	250.83	28.00	139.70	25.40	342.90	425.45	889.00	2 1/4-4 1/2 NC	1,155.70	2,030	5,080	8,160	30,800	209.00
	130.00	ZHT135130MM18																		

Additional Notes

Please call 1-866-REXNORD for availability
 Metric bore sizes available, see Rex Interchangeability guide
 Lubrication fitting tap size: for size code 5 thru 11, 1/8" PT; for all other size codes, 1/4" PT
 Bore size = nominal shaft size +.001 in/-.000 in (+0.03 mm/-0.00 mm)
 Seals - To specify K or M seal, replace "Z" in part number with "K" or "M"
 "K" seals only available in size codes 5 thru 11
 Auxiliary end caps - available in all size codes

Allowable frame load is 2/3 yield strength
 For the Selection Guide, Load Ratings and Speed Limits, see the Rex Spherical Roller Bearings Engineering section
 Note: Dimensions subject to change. Certified dimensions of ordered material furnished on request.

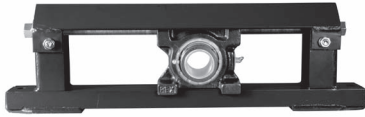
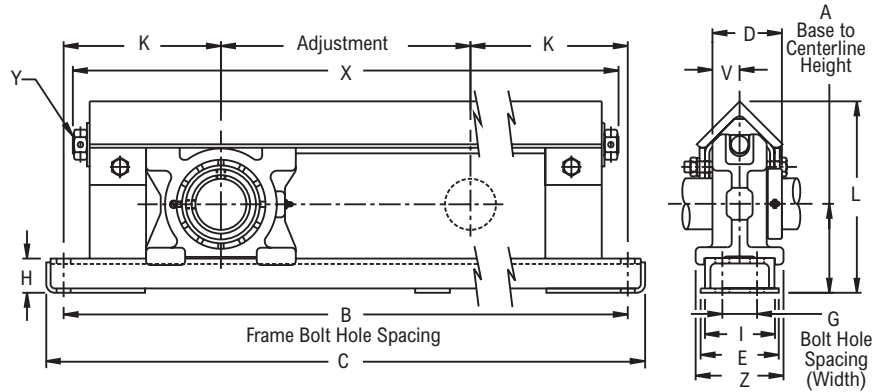


Photo Shows a Protected Screw Type Take-up Frame with Spherical Roller Bearing Take-up Unit

Product Features

- Protected screw type frame
- Corrosion-resistant powder coating
- Cast iron housing
- Misalignment capabilities - total of 3°
- Broad range of sealing options
- Factory set clearance & lubrication
- Precision ground & superfinished raceways
- Field interchangeable seals
- See Features & Benefits for additional info.



Bearing Dimensions

Size Code	Shaft Diameter	Complete Take-up Assembly	Travel Length	A Base to Centerline Height	B Frame Bolt Hole Spacing	G Bolt Hole Spacing (Width)	C	D	E	F	H	I	K	L	V	X	Y	Z	Adjust.	Allowable Working Load	Approx. Weight
2-Bolt																					
6	1 15/16	ZNT62115	12 18 24	3 15/16	26 1/2 32 1/2 38 1/2	-	28 1/2 34 1/2 40 1/2	3 1/8	3 1/2	5/8	1 3/4	3	7 1/4	8 1/4	1 7/32	25 3/8 31 3/8 37 3/8	3/4 - 10NC	3 13/16	12 18 24	3,000	45 50 56
	2	ZNT62200	30 36		44 1/2 50 1/2	46 1/2 52 1/2	49 3/8									43 3/8 49 3/8			30 36		63 70
	50 MM	ZNT62050MM	304.80 457.20 609.60 762.00 914.40		100.01	673.10 825.50 977.90 1130.30 1282.70	-									723.90 876.30 1028.70 1181.10 1333.50			79.38		88.90
7	2 3/16	ZNT72203	12 18 24	4 3/16	27 1/2 33 1/2 39 1/2	-	29 1/2 35 1/2 41 1/2	3 5/16	3 1/2	5/8	1 3/4	3	7 3/4	8 11/16	1 9/32	26 3/8 32 3/8 38 3/8	3/4 - 10NC	3 13/16	12 18 24	3,600	49 54 66
	2 1/4	ZNT72204	30 36		45 1/2 51 1/2	47 1/2 53 1/2	44 3/8 50 3/8									30 36			73 78		
	55 MM	ZNT72055MM	304.80 457.20 609.60 762.00 914.40		106.36	698.50 850.90 1003.30 1155.70 1308.10	-									749.30 901.70 1054.10 1206.50 1358.90			84.14		88.90
8	2 3/8	ZNT82206	12 18 24	4 3/8	28 1/2 34 1/2 40 1/2	-	30 1/2 36 1/2 42 1/2	3 1/2	3 1/2	3/4	1 3/4	3	8 1/4	9 1/8	1 5/16	27 3/4 33 3/4 39 3/4	7/8 - 9NC	3 15/16	12 18 24	4,400	59 63 74
	2 7/16	ZNT82207	30 36		46 1/2 52 1/2	48 1/2 54 1/2	45 3/4 51 3/4									30 36			79 85		
	2 1/2	ZNT82208	304.80 457.20 609.60 762.00 914.40		111.13	723.90 876.30 1028.70 1181.10 1333.50	-									774.70 927.10 1079.50 1231.90 1384.30			88.90		88.90
4-Bolt																					
9	331.06	ZNT92211	12 18	5 1/8	30 1/2 36 1/2	2	32 1/2 38 1/2	4	4 1/2	3/4	2	4	9 1/4	10 5/8	1 9/16	30 36	1 - 8NC	5 1/16	12 18	6,800	85 93
	353.73	ZNT92215	24 30		42 1/2 48 1/2		44 1/2 50 1/2									42 48			24 30		113 120
	3	ZNT92300	36		54 1/2		56 1/2									54 54			36		128

Continued...

Continued...

Bearing Dimensions

Size Code	Shaft Diameter	Complete Take-up Assembly	Travel Length	A Base to Centerline Height	B Frame Bolt Hole Spacing	G Bolt Hole Spacing (Width)	C	D	E	F	H	I	K	L	V	X	Y	Z	Adjust.	Allowable Working Load	Approx. Weight	
9	70 MM	ZNT92070MM	304.80 457.20 609.60	130.18	774.70 927.10	50.80	825.50 977.90	101.60	114.30	19.05	50.80	101.60	234.95	269.88	39.69	762.00 914.40	1-8NC		304.80 457.20	30246.40	385.48 421.76	
	75 MM	ZNT92075MM	762.00 914.40		1079.50 1231.90 1384.30		1130.30 1282.70 1435.10									1066.80 1219.20 1371.60					609.60 762.00 914.40	544.20 580.48
10	3 3/16	ZNT102303	12 18	5 5/8	32 38	2	34 1/4 40 1/4	4 3/8	4 1/2	3/4	2	4	10	11 3/4	1 23/32	32 38	1 1/8-7NC	5 3/16	12 18	8,400	118 127	
	3 7/16	ZNT102307	24 30		44 50		46 1/4 52 1/4									44 50					24 30	145 154
	3 1/2	ZNT102308	36		56		58 1/4									56					36	166
	80 MM	ZNT102080MM	304.80 457.20 609.60		812.80 965.20 1117.60		869.95 1022.35 1174.75									812.80 965.20 1117.60					609.60 762.00	535.13 575.95 657.58
85 MM	ZNT102085MM	762.00 914.40	1270.00 1422.40	1327.15 1479.55	1270.00 1422.40	762.00 914.40	698.39 752.81															
11	3 11/16	ZNT112311	12 18	7	36 42	2 1/2	38 1/2 44 1/2	5 3/16	5 1/2	3/4	2 1/4	5	12	14 1/2	2 1/16	36 5/16 42 5/16	1 1/4-7NC	6 3/8	12 18	15,600	209 217	
	3 15/16	ZNT112315	24 30		48 54		50 1/2 56 1/2									48 5/16 54 5/16					24 30	249 269
	4	ZNT112400	36		60		62 1/2									60 5/16					36	279
	100 MM	ZNT112100MM	304.80 457.20 609.60		914.40 1066.80 1219.20		977.90 1130.30 1282.70									922.35 1074.75 1227.15					609.60 762.00	947.82 984.10 1129.22
			762.00 914.40	1371.60 1524.00	1435.10 1587.50	1379.55 1531.95	762.00 914.40	1219.92 1265.27														

Additional Notes

Please call 1-866-REXNORD for availability
 Metric bore sizes available, see Rex Interchangeability guide
 Lubrication fitting tap size, 1/8 PT
 Bore size = nominal shaft size +.001 in/-.000 in (+0.03 mm/-0.00 mm)
 Seals - To specify K or M seal, replace "Z" in part number with "K" or "M"
 Auxiliary end caps - available in all size codes
 Allowable working load is 2/3 yield strength

For the Selection Guide, Load Ratings and Speed Limits, see the Rex Spherical Roller Bearings Engineering section
 Note: Dimensions subject to change. Certified dimensions of ordered material furnished on request.

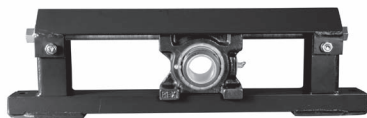
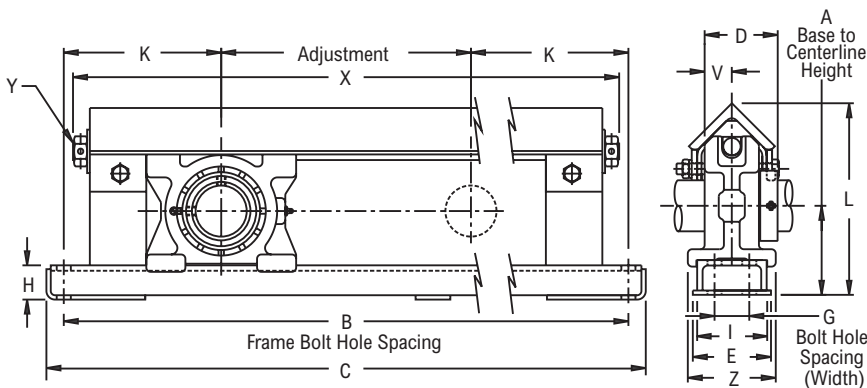


Photo Shows a Protected Screw Type Take-up Frame with Spherical Roller Bearing Take-up Unit

Product Features

- Protected screw type frame
- Corrosion-resistant powder coating
- Cast iron housing
- Misalignment capabilities - total of 3°
- Broad range of sealing options
- Factory set clearance & lubrication
- Precision ground & superfinished raceways
- Field interchangeable seals
- See Features & Benefits for additional info.



Bearing Dimensions

Size Code	Shaft Diameter	Complete Take-up Assembly	Travel Length	A Base to Centerline Height	B Frame Bolt Hole Spacing	G Bolt Hole Spacing (Width)	C	D	E	F	H	I	K	L	V	X	Y	Z	Adjust.	Allowable Working Load	Approx. Weight
2-Bolt																					
6	1 15/16	ZNT63115	12	3 15/16	26 1/2	-	28 1/2	3 9/32	3 1/2	5/8	1 3/4	3	7 1/4	8 1/4	1 7/32	25 3/8	3/4-10 NC	3 13/16	12	3,000	45
			18		32 1/2		34 1/2									31 3/8			18		50
			24		38 1/2		40 1/2									37 3/8			24		56
			30		44 1/2		46 1/2									43 3/8			30		63
			36		50 1/2		52 1/2									49 3/8			36		70
7	2 3/16	ZNT73203	12	4 3/16	27 1/2	-	29 1/2	3 1/2	3 1/2	5/8	1 3/4	3	7 3/4	8 11/16	1 9/32	26 3/8	3/4-10 NC	3 13/16	12	3,600	49
			18		33 1/2		35 1/2									32 3/8			18		54
			24		39 1/2		41 1/2									38 3/8			24		66
			30		45 1/2		47 1/2									44 3/8			30		73
			36		51 1/2		53 1/2									50 3/8			36		78
8	2 7/16	ZNT83207	12	4 3/8	28 1/2	-	30 1/2	3 21/32	3 1/2	3/4	1 3/4	3	8 1/4	9 1/8	1 5/16	27 3/4	7/8-9 NC	3 15/16	12	4,400	59
			18		34 1/2		36 1/2									33 3/4			18		63
			24		40 1/2		42 1/2									39 3/4			24		74
	2 1/2	ZNT83208	30		46 1/2		48 1/2									45 3/4			30		79
			36		52 1/2		54 1/2									51 3/4			36		85
4-Bolt																					
9	2 11/16	ZNT93211	12	5 1/8	30 1/2	2	32 1/2	4 13/64	4 1/2	3/4	2	4	9 1/4	10 5/8	1 9/16	30	1-8 NC	5 1/16	12	6,800	85
			18		36 1/2		38 1/2									36			18		93
			24		42 1/2		44 1/2									42			24		113
	2 15/16	ZNT93215	30		48 1/2		50 1/2									48			30		120
			36		54 1/2		56 1/2									54			36		128
10	3 7/16	ZNT103307	12	5 5/8	32	2	34 1/4	4 37/64	4 1/2	3/4	2	4	10	11 3/4	1 23/32	32	1 1/8-7 NC	5 3/16	12	8,400	118
			18		38		40 1/4									38			18		127
			24		44		46 1/4									44			24		145
	3 1/2	ZNT103308	30		50		52 1/4									50			30		154
			36		56		58 1/4									56			36		166
11	3 15/16	ZNT113315	12	7	36	2 1/2	38 1/2	5 3/16	5 1/2	3/4	2 1/4	5	12	14 1/2	2 1/16	36 5/16	1 1/4-7 NC	6 3/8	12	15,600	209
			18		42		44 1/2									42			18		217
			24		48		50 1/2									48 5/16			24		249
			30		54		56 1/2									54 5/16			30		269
			36		60		62 1/2									60 5/16			36		279

Additional Notes

- Please call 1-866-REXNORD for availability
- Lubrication fitting tap size, 1/8 PT
- Bore size = nominal shaft size +.001 in/-.000 in (+0.03 mm/-0.00 mm)
- Seals - To specify K or M seal, replace "Z" in part number with "K" or "M"
- Auxiliary end caps - available in all size codes
- Allowable working load is 2/3 yield strength
- For the Selection Guide, Load Ratings and Speed Limits, see the Rex Spherical Roller Bearings Engineering section

Note: Dimensions subject to change. Certified dimensions of ordered material furnished on request.

ZNT5000

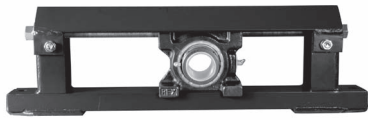
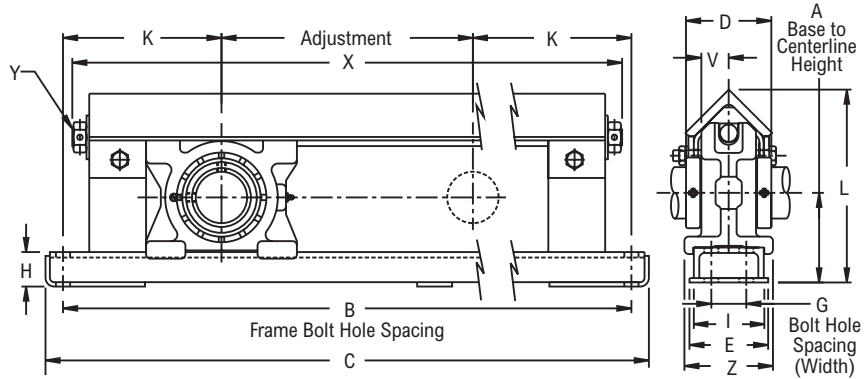


Photo Shows a Protected Screw Type Take-up Frame with Spherical Roller Bearing Take-up Unit

Product Features

- Protected screw type frame
- Corrosion-resistant powder coating
- Cast iron housing
- Misalignment capabilities - total of 3°
- Broad range of sealing options
- Factory set clearance & lubrication
- Precision ground & superfinished raceways
- Field interchangeable seals
- See Features & Benefits for additional info.



Bearing Dimensions

Size Code	Shaft Diameter	Complete Take-up Assembly	Travel Length	A Base to Centerline Height	B Frame Bolt Hole Spacing	G Bolt Hole Spacing (Width)	C	D	E	F	H	I	K	L	V	X	Y	Z	Adjust.	Allowable Working Load	Approx. Weight													
2-Bolt																																		
6	1 15/16	ZNT65115	12 18 24 30 36	3 15/16	26 1/2 32 1/2 38 1/2 44 1/2 50 1/2	-	28 1/2 34 1/2 40 1/2 46 1/2 52 1/2	3 13/16	3 1/2	5/8	1 3/4	3	7 1/4	8 1/4	1 7/32	25 3/8 31 3/8 37 3/8 43 3/8 49 3/8	3/4-10 NC	3 13/16	12 18 24 30 36	3,000	47 52 58 65 72													
	50 MM	ZNT65050MM	304.80 457.20 609.60 762.00 914.40	100.01	673.10 825.50 977.90 1130.30 1282.70	-	723.90 876.30 1028.70 1181.10 1333.50	46.04	88.90	15.88	44.45	76.20	184.15	209.55	30.96	644.53 796.93 949.33 1101.73 1254.13	3/4-10 NC		304.80 457.20 609.60 762.00 914.40	13344.00	204.08 226.75 253.96 285.71 317.45													
7	2	ZNT75200	12 18 24 30 36	4 3/16	27 1/2 33 1/2 39 1/2 45 1/2 51 1/2	-	29 1/2 35 1/2 41 1/2 47 1/2 53 1/2	4 1/8	3 1/2	5/8	1 3/4	3	7 3/4	8 11/16	1 9/32	26 3/8 32 3/8 38 3/8 44 3/8 50 3/8	3/4-10 NC	3 13/16	12 18 24 30 36	3,600	51 56 68 75 80													
	2 3/16	ZNT75203	304.80 457.20 609.60 762.00 914.40	106.36	698.50 850.90 1003.30 1155.70 1308.10	-	749.30 901.70 1054.10 1206.50 1358.90	104.78	88.90	15.88	44.45	76.20	196.85	220.66	32.54	669.93 822.33 974.73 1127.13 1279.53	3/4-10 NC		304.80 457.20 609.60 762.00 914.40	16012.80	231.29 253.96 308.38 340.13 362.80													
8	2 7/16	ZNT85207	12 18 24 30 36	4 3/8	28 1/2 34 1/2 40 1/2 46 1/2 52 1/2	-	30 1/2 36 1/2 42 1/2 48 1/2 54 1/2	4 3/8	3 1/2	3/4	1 3/4	3	8 1/4	9 1/8	1 5/16	27 3/4 33 3/4 39 3/4 45 3/4 51 3/4	7/8-9 NC	3 15/16	12 18 24 30 36	4,400	61 65 76 81 87													
	60 MM	ZNT85060MM	304.80 457.20 609.60 762.00 914.40	111.13	723.90 876.30 1028.70 1181.10 1333.50	-	774.70 927.10 1079.50 1231.90 1384.30	111.13	88.90	19.05	44.45	76.20	209.55	231.78	33.34	704.85 857.25 1009.65 1162.05 1314.45	7/8-9 NC		304.80 457.20 609.60 762.00 914.40	19751.20	276.64 294.78 344.66 367.34 394.55													
65 MM	ZNT85065MM																																	
4-Bolt																																		
9	2 1/2	ZNT95208	12 18 24 30 36	5 1/8	30 1/2 36 1/2 42 1/2 48 1/2 54 1/2	2	32 1/2 38 1/2 44 1/2 50 1/2 56 1/2	4 7/8	4 1/2	3/4	2	4	9 1/4	10 5/8	1 9/16	30 36 42 48 54	1-8 NC	5 1/16	12 18 24 30 36	6,800	87 95 115 122 130													
	2 11/16	ZNT95211																																
	2 15/16	ZNT95215																																

Continued...

Continued...

Bearing Dimensions

Size Code	Shaft Diameter	Complete Take-up Assembly	Travel Length	A Base to Centerline Height	B Frame Bolt Hole Spacing	G Bolt Hole Spacing (Width)	C	D	E	F	H	I	K	L	V	X	Y	Z	Adjust.	Allowable Working Load	Approx. Weight												
9	70 MM	ZNT95070MM	304.80 457.20 609.60	130.18	774.70 927.10 1079.50	50.80	825.50 977.90 1130.30	123.83	114.30	19.05	50.80	101.60	234.95	269.88	39.69	762.00 914.40 1066.80	1-8NC		304.80 457.20 609.60	30246.40	394.55 430.83 521.53												
	75 MM	ZNT95075MM	762.00 914.40		1231.90 1384.30		1282.70 1435.10									1219.20 1371.60			762.00 914.40		553.27 589.55												
10	3 3/16	ZNT105303	12	5 5/8	32	2	34 1/4	5 5/16	4 1/2	3/4	2	4	10	11 3/4	1 23/32	32	1 1/8-7 NC	5 3/16	12	8,400	120												
			18		38		40 1/4									44			44		18	129											
	24	44	46 1/4		50		50									24			147														
	30	50	52 1/4		56		56									30			156														
	36	56	58 1/4													36			168														
80 MM	ZNT105080MM	304.80 457.20	142.88	812.80 965.20	50.80	869.95 1022.35	134.94	114.30	19.05	50.80	101.06	254.00	298.45	43.66	812.80 965.20	1 1/8-7NC		304.80 457.20	37363.20	544.20 585.02													
85 MM	ZNT105085MM	609.60 762.00		1117.60 1270.00		1174.75 1327.15									1270.00 1422.40			609.60 762.00		666.65 707.46													
90 MM	ZNT105090MM	762.00 914.40		1270.00 1422.40		1327.15 1479.55									1270.00 1422.40			762.00 914.40		707.46 761.88													
3 11/16	ZNT115311	12		7		36									2 1/2			38 1/2		6 1/4	5 1/2	3/4	2 1/4	5	12	14 1/2	2 1/16	36 5/16	1 1/4-7 NC	6 3/8	12	15,600	211
		18				42												44 1/2										48			48		18
		24	48		50 1/2	56 1/2	56 1/2	24	251																								
30	54	56 1/2	60		60	30	271																										
36	60	62 1/2				36	281																										
100 MM	ZNT115100MM	304.80 457.20 609.60 762.00 914.40	177.80	914.40 1066.80 1219.20 1371.60 1524.00	63.50	977.90 1130.30 1282.70 1435.10 1587.50	158.75	139.70	19.05	57.15	127.00	304.80	368.30	52.39	922.35 1074.75 1227.15 1379.55 1531.95	1 1/4-7NC		304.80 457.20 609.60 762.00 914.40	69388.80	956.89 993.17 1138.29 1228.99 1274.34													

Additional Notes

- Please call 1-866-REXNORD for availability
- Metric bore sizes available, see Rex Interchangeability guide
- Lubrication fitting tap size, 1/8 PT
- Bore size = nominal shaft size +.001 in/-.000 in (+0.03 mm/-0.00 mm)
- Seals - To specify K or M seal, replace "Z" in part number with "K" or "M"
- Auxiliary end caps - available in all size codes
- Allowable working load is 2/3 yield strength

For the Selection Guide, Load Ratings and Speed Limits, see the Rex Spherical Roller Bearings Engineering section
 Note: Dimensions subject to change. Certified dimensions of ordered material furnished on request.

ZNT6000

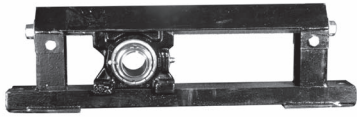
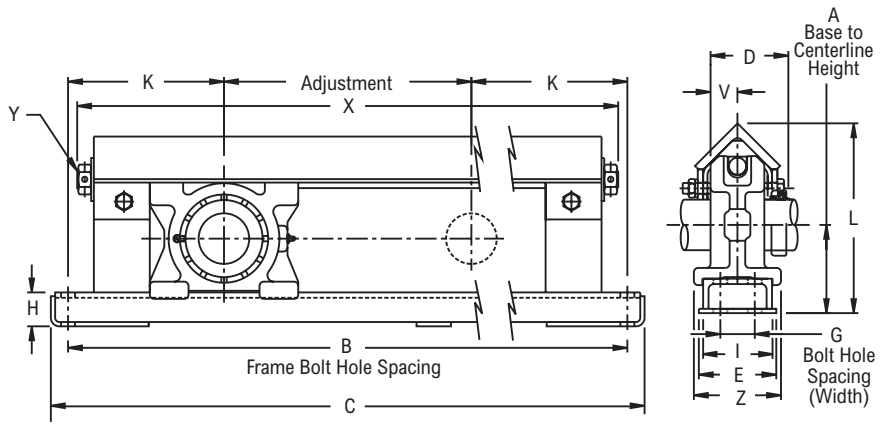


Photo Shows a Protected Screw Type Take-up Frame with Spherical Roller Bearing Take-up Unit

Product Features

- ISpyglass™ Optical Strain Sensor (OSS) Technology
- Positive locking system
- Tapered adapter sleeve
- Protected screw type frame
- Corrosion-resistant powder coating
- Cast iron housing
- Misalignment capabilities - total of 3°
- Broad range of sealing options
- Factory set clearance & lubrication
- See Features & Benefits for additional info.



Bearing Dimensions

Size Code	Shaft Diameter	Complete Take-up Assembly	Travel Length	A Base to Centerline Height	B Frame Bolt Hole Spacing	G Bolt Hole Spacing (Width)	C	D	E	F	H	I	K	L	V	X	Y	Z	Adjust.	Allowable Working Load	Approx. Weight
2-Bolt																					
6	1 15/16	ZNT66115	12	3 15/16	26 1/2	-	28 1/2	3 41/64	3 1/2	5/8	1 3/4	3	7 1/4	8 1/4	1 7/32	25 3/8	3/4-10 NC	3 13/16	12	3,000	47
			18		32 1/2		34 1/2									37 3/8			18		52
			24		38 1/2		40 1/2									37 3/8			24		58
			30		44 1/2		46 1/2									43 3/8			30		65
			36		50 1/2		52 1/2									49 3/8			36		72
	45 MM	ZNT66045MM	304.80	100.01	673.10	-	723.90	92.47	88.90	15.88	44.45	76.20	184.15	209.55	30.96	644.53	3/4-10NC	3 13/16	304.80	13,344.00	204.08
			457.20		825.50		876.30									796.93			457.20		226.75
			609.60		977.90		1028.70									949.33			609.60		253.96
			762.00		1130.30		1181.10									1101.73			762.00		285.71
			914.40		1282.70		1333.50									1254.13			914.40		317.45
7	2 3/16	ZNT76203	12	4 3/16	27 1/2	-	29 1/2	3 49/64	3 1/2	5/8	1 3/4	3	7 3/4	8 11/16	1 9/32	26 3/8	3/4-10 NC	3 13/16	12	3,600	51
			18		33 1/2		35 1/2									38 3/8			18		56
			24		39 1/2		41 1/2									32 3/8			24		68
			30		45 1/2		47 1/2									44 3/8			30		75
			36		51 1/2		53 1/2									50 3/8			36		80
	55 MM	ZNT76055MM	304.80	106.36	698.50	-	749.30	95.65	88.90	15.88	44.45	76.20	196.85	220.66	32.54	669.93	3/4-10NC	3 13/16	304.80	16,012.80	231.29
			457.20		850.90		901.70									822.33			457.20		253.96
			609.60		1003.30		1054.10									974.73			609.60		308.38
			762.00		1155.70		1206.50									1127.13			762.00		340.13
			914.40		1308.10		1358.90									1279.53			914.40		362.80
8	2 3/8	ZNT86206	12	4 3/8	28 1/2	-	30 1/2	4 5/32	3 1/2	3/4	1 3/4	3	8 1/4	9 1/8	1 5/16	27 3/4	7/8-9 NC	3 15/16	12	4,400	61
			18		34 1/2		36 1/2									39 3/4			18		65
			24		40 1/2		42 1/2									33 3/4			24		76
			30		46 1/2		48 1/2									45 3/4			30		81
			36		52 1/2		54 1/2									51 3/4			36		87
	60 MM	ZNT86060MM	304.80	111.13	723.90	-	774.70	105.57	88.90	19.05	44.45	76.20	209.55	231.78	33.34	704.85	7/8-9NC	3 15/16	304.80	19,751.20	276.64
			457.20		876.30		927.10									857.25			457.20		294.78
			609.60		1028.70		1079.50									1009.65			609.60		344.66
			762.00		1181.10		1231.90									1162.05			762.00		367.34
			914.40		1333.50		1384.30									1314.45			914.40		394.55
4-Bolt																					
9	2 11/16	ZNT96211	12	5 1/8	30 1/2	2	32 1/2	4 17/32	4 1/2	3/4	2	4	9 1/4	10 5/8	1 9/16	30	1-8 NC	5 1/16	12	6,800	87
			18		36 1/2		38 1/2									42			18		95
	24	42 1/2	44 1/2		48 1/2		24									115					
	30	48 1/2	50 1/2		54 1/2		30									122					
	2 3/4	ZNT96212	36		54 1/2		56 1/2								54			36		130	

Continued...

Continued...

Bearing Dimensions

Size Code	Shaft Diameter	Complete Take-up Assembly	Travel Length	A Base to Centerline Height	B Frame Bolt Hole Spacing	G Bolt Hole Spacing (Width)	C	D	E	F	H	I	K	L	V	X	Y	Z	Adjust.	Allowable Working Load	Approx. Weight
9	70 MM	ZNT96070MM	304.80 457.20 609.60	130.18	774.70 927.10	50.80	825.50 977.90	115.09	114.30	19.05	50.80	101.60	234.95	269.88	39.69	762.00 914.40	1-8NC	304.80 457.20	30,246.40	394.55 430.83	
	75 MM	ZNT95075MM	762.00 914.40		1079.50 1231.90 1384.30		1130.30 1282.70 1435.10									1066.80 1219.20 1371.60				521.53 553.27 589.55	
10	3 3/16	ZNT106303	12 18 24	5 5/8	32 38	2	34 1/4 40 1/4	5 9/64	4 1/2	3/4	2	4	10	11 3/4	1 23/32	32 38	1 1/8-7 NC	5 3/16	12 18	8,400	120 129
		ZNT106307	30 36		44 50 56		46 1/4 52 1/4 58 1/4									44 50 56			24 30 36		147 156 168
	80 MM	ZNT106080MM	304.80 457.20 609.60	142.88	812.80 965.20	50.80	869.95 1022.35	130.57	114.30	19.05	50.80	101.06	254.00	298.45	43.66	812.80 965.20	1 1/8-7NC	304.80 457.20	37,363.20	544.20 585.02	
	85 MM	ZNT106085MM	762.00 914.40		1117.60 1270.00 1422.40		1174.75 1327.15 1479.55									1117.60 1270.00 1422.40				666.65 707.46 761.88	
11	3 11/16	ZNT116311	12 18 24	7	36 42	2 1/2	38 1/2 44 1/2	5 31/32	5 1/2	3/4	2 1/4	5	12	14 1/2	2 1/16	36 5/16 42 5/16	1 1/4-7 NC	6 3/8	12 18	15,600	211 219
		ZNT116315	30 36		48 54 60		50 1/2 56 1/2 62 1/2									48 5/16 54 5/16 60 5/16			251 271 281		
	100 MM	ZNT116100MM	304.80 457.20 609.60	177.80	914.40 1066.80	63.50	977.90 1130.30	151.61	139.70	19.05	57.15	127.00	304.80	368.30	52.39	922.35 1074.75	1 1/4-7NC	304.80 457.20	69,388.80	956.89 993.17	
		1371.60 1524.00	1282.70 1435.10 1587.50		1227.15 1379.55 1531.95		762.00 914.40									1138.29 1228.99 1274.34					

Additional Notes

Please call 1-866-REXNORD for availability
 Lubrication fitting tap size, 1/8 PT
 Bore size = nominal shaft size +.001 in/-.000 in (+0.03 mm/-0.00 mm)
 Seals - To specify K or M seal, replace "Z" in part number with "K" or "M"
 Auxiliary end caps - available in all size codes
 Allowable working load is 2/3 yield strength
 For the Selection Guide, Load Ratings and Speed Limits, see the Rex Spherical Roller Bearings Engineering section

Note: Dimensions subject to change. Certified dimensions of ordered material furnished on request.

ZAT2000

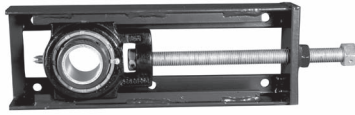
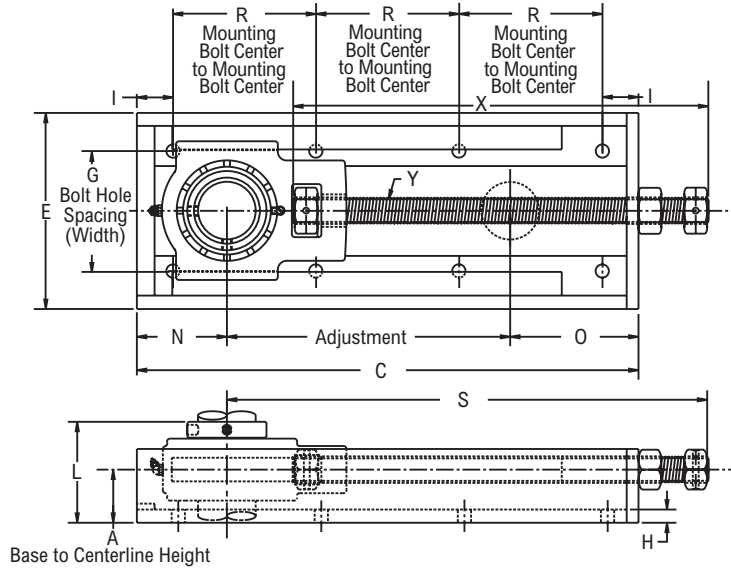


Photo Shows a Center Pull, Side Mounted Take-up Frame with Spherical Roller Bearing Take-up Unit

Product Features

- Center pull side mounted frame
- Corrosion-resistant powder coating
- Cast iron housing
- Misalignment capabilities - total of 3°
- Broad range of sealing options
- Factory set clearance & lubrication
- Precision ground & superfinished raceways
- Field interchangeable seals
- See Features & Benefits for additional info.



Bearing Dimensions

Size Code	Shaft Diameter	Part Number	Adjust.	A Base to Centerline Height	G Bolt Hole Spacing (Width)	R Mounting Bolt Center to Mounting Bolt Center	C	E	F	H	I	L	N	O	S	X	Y	Approx. Weight
6-Bolt																		
4	1 7/16	ZAT421079	9	1 7/8	3 9/16	6 7/16	15 7/8	5 3/16	1/2	3/16	1 1/2	3 5/8	3	3 7/8	15	13 1/8	3/4-10 NC	18.40
	35.00	ZAT42035MM9	228.60	47.63	90.49	163.51	403.23	131.76	13.00	4.75	38.10	92.08	76.20	98.43	381.00	333.38	3/4-10 NC	8.30
5	1 11/16	ZAT521119	9	2	4 1/16	7	17	5 13/16	1/2	1/4	1 1/2	3 7/8	3 1/4	4 3/4	16	13 1/2	7/8-9 NC	26.80
	40.00	ZAT52040MM9	228.60	50.80	103.19	177.80	431.80	147.64	13.00	6.35	38.10	98.43	82.55	120.65	406.40	342.90	7/8-9 NC	12.20
6	1 15/16	ZAT621159	9	2	4 1/16	7	17	5 13/16	1/2	1/4	1 1/2	3 7/8	3 1/4	4 3/4	16	13 1/2	7/8-9 NC	27.10
	50.00	ZAT62050MM9	228.60	50.80	103.19	177.80	431.80	147.64	13.00	6.35	38.10	98.43	82.55	120.65	406.40	342.90	7/8-9 NC	12.30
7	2 3/16	ZAT722039	9	2	4 13/16	7 1/2	18	6 9/16	1/2	1/4	1 1/2	4	3 9/16	5 7/16	16 15/16	14 5/16	1-8 NC	33.70
	55.00	ZAT72055MM9	228.60	50.80	122.24	190.50	457.20	166.69	13.00	6.35	38.10	101.60	90.49	138.11	176.21	363.54	1-8 NC	15.30
8-Bolt																		
8	2 7/16	ZAT8220712	12	2 1/4	5 1/16	6 1/16	21 11/16	7 5/16	1/2	5/16	1 3/4	4 7/16	3 13/16	5 7/8	20 3/4	18	1 1/8-7 NC	51.00
	60.00	ZAT82060MM12	304.80	57.15	128.59	153.99	550.86	185.74	13.00	7.94	44.45	112.71	96.84	149.23	527.05	457.20	1 1/8-7 NC	23.20
	65.00	ZAT82065MM12	304.80	57.15	128.59	153.99	550.86	185.74	13.00	7.94	44.45	112.71	96.84	149.23	527.05	457.20	1 1/8-7 NC	23.20
9	2 15/16	ZAT9221512	12	2 7/16	5 3/8	6 1/2	23	8 1/8	1/2	5/16	1 3/4	4 7/8	4 1/4	6 3/4	21 3/4	18 1/2	1 1/4-7 NC	75.00
	70.00	ZAT92070MM12	304.80	61.91	136.53	165.10	584.20	206.38	13.00	7.94	44.45	123.83	107.95	171.45	552.45	469.90	1 1/4-7 NC	34.00
	75.00	ZAT92075MM12	304.80	61.91	136.53	165.10	584.20	206.38	13.00	7.94	44.45	123.83	107.95	171.45	552.45	469.90	1 1/4-7 NC	34.00

Additional Notes

- Please call 1-866-REXNORD for availability
- Metric bore sizes available, see Rex Interchangeability guide
- Lubrication fitting tap size, 1/8 PT
- Bore size = nominal shaft size +.001 in/-.000 in (+0.03 mm/-0.00 mm)
- Seals - To specify K or M seal, replace "Z" in part number with "K" or "M"
- Auxiliary end caps - available in all size codes on outboard side only
- For the Selection Guide, Load Ratings and Speed Limits, see the Rex Spherical Roller Bearings Engineering section

Note: Dimensions subject to change. Certified dimensions of ordered material furnished on request.

ZAT3000

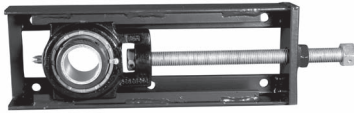
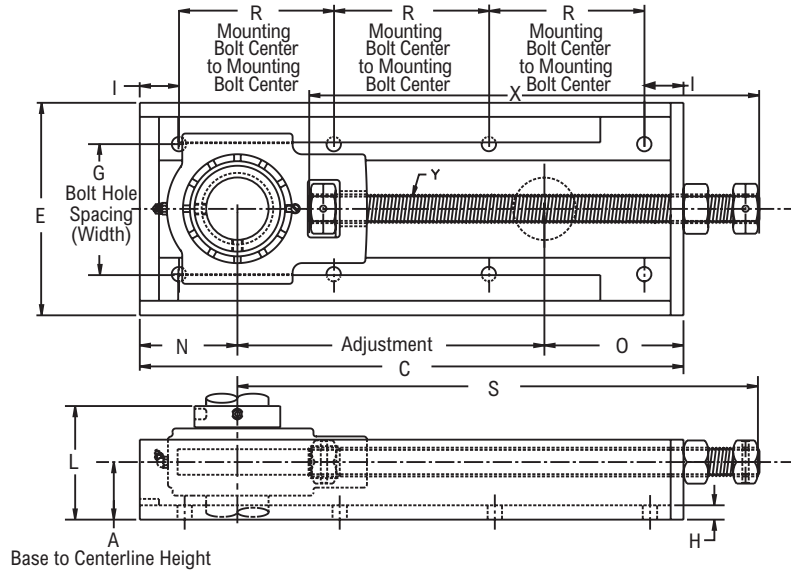


Photo Shows a Center Pull, Side Mounted Take-up Frame with Spherical Roller Bearing Take-up Unit

Product Features

- Center pull side mounted frame
- Corrosion-resistant powder coating
- Cast iron housing
- Misalignment capabilities - total of 3°
- Broad range of sealing options
- Factory set clearance & lubrication
- Precision ground & superfinished raceways
- Field interchangeable seals
- See Features & Benefits for additional info.



Bearing Dimensions

Size Code	Shaft Diameter	Part Number	Adjust.	A Base to Centerline Height	G Bolt Hole Spacing (Width)	R Mounting Bolt Center to Mounting Bolt Center	C	E	F	H	I	L	N	O	S	X	Y	Approx. Weight
6-Bolt																		
4	1 7/16	ZAT431079	9	1 7/8	3 9/16	6 7/16	15 7/8	5 3/16	1/2	3/16	1 1/2	3 5/8	3	3 7/8	15	13 1/8	3/4-10 NC	18.40
5	1 11/16	ZAT531119	9	2	4 1/16	7	17	5 13/16	1/2	1/4	1 1/2	3 7/8	3 1/4	4 3/4	16	13 1/2	7/8-9 NC	26.80
6	1 15/16	ZAT631159	9	2	4 1/16	7	17	5 13/16	1/2	1/4	1 1/2	3 7/8	3 1/4	4 3/4	16	13 1/2	7/8-9 NC	27.10
7	2 3/16	ZAT732039	9	2	4 13/16	7 1/2	18	6 9/16	1/2	1/4	1 1/2	4	3 9/16	5 7/16	16 15/16	14 5/16	1-8 NC	33.70
8-Bolt																		
8	2 7/16	ZAT8320712	12	2 1/4	5 1/16	6 1/16	21 11/16	7 5/16	1/2	5/16	1 3/4	4 7/16	3 13/16	5 7/8	20 3/4	18	1 1/8-7 NC	51.00
9	2 15/16	ZAT9321512	12	2 7/16	5 3/8	6 1/2	23	8 1/8	1/2	5/16	1 3/4	4 7/8	4 1/4	6 3/4	21 3/4	18 1/2	1 1/4-7 NC	75.00

Additional Notes

- Please call 1-866-REXNORD for availability
- Lubrication fitting tap size, 1/8 PT
- Bore size = nominal shaft size +.001 in/-.000 in (**+0.03 mm/-0.00 mm**)
- Seals - To specify K or M seal, replace "Z" in part number with "K" or "M"
- Auxiliary end caps - available in all size codes on outboard side only
- For the Selection Guide, Load Ratings and Speed Limits, see the Rex Spherical Roller Bearings Engineering section

Note: Dimensions subject to change. Certified dimensions of ordered material furnished on request.

ZFT5000

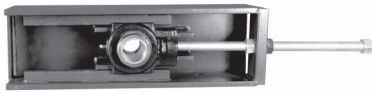
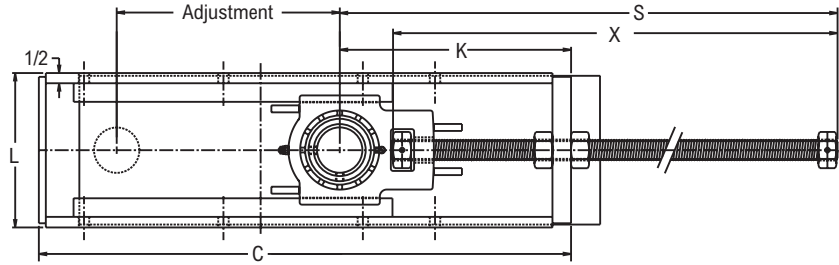
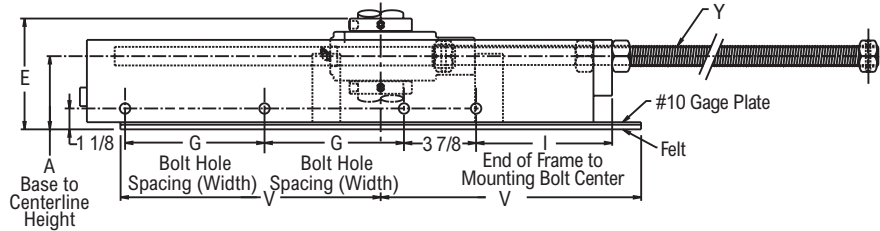


Photo Shows an Elevator Boot Take-up Frame with Spherical Roller Bearing Take-up Unit



Product Features

- Center pull elevator boot frame
- Back plate makes casing dust tight
- Corrosion-resistant powder coating
- Cast iron housing
- Misalignment capabilities - total of 3°
- Broad range of sealing options
- Factory set clearance & lubrication
- Precision ground & superfinished raceways
- Field interchangeable seals
- See Features & Benefits for additional info.



Bearing Dimensions

Size Code	Shaft Diameter	Part Number	A Base to Centerline Height	G Bolt Hole Spacing (Width)	I End of Frame at Rod End to Mounting Bolt Center	C	E	F	K	L	S	V	X	Y	Adjust.	Approx. Weight
6	1 15/16	ZFT651159	3 11/16	6	5 1/2	23 1/2	5 5/8	1/2	10 5/8	7 3/16	21 3/4	11	19 1/2	7/8-9 NC	9	63.00
	50.00	ZFT65050MM9	93.66	152.40	139.70	596.90	142.88	13.00	269.88	182.56	21.75	279.40	495.30	7/8-9 NC	228.60	28.60
8	2 7/16	ZFT8520712	3 15/16	7 1/2	7 5/16	28 5/8	6 1/8	1/2	12 7/16	8 5/16	27	14	24 1/4	1 1/8-7 NC	12	88.00
	60.00	ZFT85060MM12	100.01	190.50	185.74	727.08	155.58	13.00	315.91	211.14	685.80	355.60	615.95	1 1/8-7 NC	304.80	40.00
9	2 1/2	ZFT9520812														117.00
	2 11/16	ZFT9521112	4 3/8	7 1/2	8 3/4	30 3/8	6 13/16	1/2	13 7/8	8 5/8	28 5/8	14	25 3/8	1 1/4-7 NC	12	115.00
	70.00	ZFT95070MM12	111.13	190.50	222.25	771.53	173.04	13.00	352.43	219.08	727.08	355.60	593.73	1 1/8-7 NC	304.80	52.10
	75.00	ZFT95075MM12														51.80

Additional Notes

- Please call 1-866-REXNORD for availability
- Metric bore sizes available, see Rex Interchangeability guide
- Lubrication fitting tap size, 1/8 PT
- Bore size = nominal shaft size +.001 in/- .000 in (+0.03 mm/-0.00 mm)
- Seals - To specify K or M seal, replace "Z" in part number with "K" or "M"
- Auxiliary end caps - available in all size codes
- For the Selection Guide, Load Ratings and Speed Limits, see the Rex Spherical Roller Bearings Engineering section

Note: Dimensions subject to change. Certified dimensions of ordered material furnished on request.

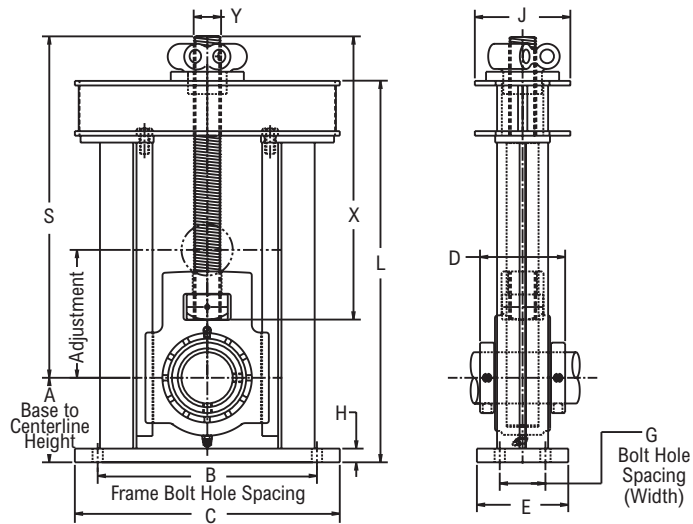
ZGT5000



Photo Shows an Elevator Head Take-up Frame with Spherical Roller Bearing Take-up Unit

Product Features

- Center pull elevator head frame
- Corrosion-resistant powder coating
- Cast iron housing
- Misalignment capabilities - total of 3°
- Broad range of sealing options
- Factory set clearance & lubrication
- Precision ground & superfinished raceways
- Field interchangeable seals
- See Features & Benefits for additional info.



Bearing Dimensions

Size Code	Shaft Diameter	Part Number	A Base to Centerline Height	B Frame Bolt Hole Spacing	G Bolt Hole Spacing (Width)	C	D	E	F	H	J	L	S	X	Y	Adjust.	Allowable Working Load	Approx. Weight															
6	1 15/16	ZGT651156	3 5/16	10	1 3/4	12	3 13/16	3 1/2	1/2	1/2	4 15/16	16 1/2	15 7/8	13 5/8	1-8 NC	6	12,300	50.00															
	50.00	ZGT65050MM6	84.14	254.00	44.45	304.80	96.84	88.90	13.00	12.70	125.41	419.10	403.23	346.08	1-8 NC	152.40	5,580	22.70															
8	2 7/16	ZGT852077	4 1/8	11	2	13 1/2	4 3/8	4	5/8	3/4	4 15/16	19 7/16	18 3/4	13 5/8	1 1/4-7 NC	7	20,900	74.00															
	60.00	ZGT85060MM7	104.78	279.40	50.80	342.90	111.13	101.60	16.00	19.05	125.41	493.70	476.25	346.08	1 1/4-7 NC	177.80	9,480	33.50															
9	2 1/2	ZGT952087	4 5/8	12	2 1/2	14 1/2	4 7/8	5	5/8	3/4	5 1/4	20 7/8	17 7/8	15 1/2	1 1/2-6 NC	7	26,800	103.00															
	2 11/16	ZGT952117																101.00															
	2 15/16	ZGT952157																100.00															
	70.00	ZGT95070MM7																45.80															
75.00	ZGT95075MM7	117.48	304.80	63.50	368.30	123.83	127.00	16.00	19.05	133.35	530.23	454.03	393.70	1 1/2-6 NC	177.80	12,100	44.80																
10	3 3/16	ZGT10530310	5 1/8	13	3	16	5 5/16	5	3/4	3/4	6	25 1/16	23 3/16	19 1/2	1 3/4-5 NC	10	27,300	140.00															
	3 7/16	ZGT10530710																138.00															
	80.00	ZGT105080MM10																64.00															
	85.00	ZGT105085MM10																63.50															
90.00	ZGT105090MM10	130.18	330.20	76.20	406.40	134.94	127.00	19.00	19.05	152.40	636.59	588.96	495.30	1 3/4-5 NC	254.00	12,400	63.50																
11	3 11/16	ZGT11531110	5 13/16	14	3	17	6 1/8	5	3/4	3/4	8 1/4	27 3/4	26 7/16	22	2-4 1/2 NC	10	45,400	214.00															
	3 15/16	ZGT11531510																211.00															
	4	ZGT11540010																210.00															
	100.00	ZGT115100MM10																147.64	355.60	76.20	431.80	155.58	127.00	19.00	19.05	209.55	704.85	671.51	558.80	1 3/4-5 NC	254.00	20,600	96.00
12	4 7/16	ZGT125407Y10	6 13/16	17	3 1/2	20	6 1/4	6	7/8	3/4	9 1/4	32 1/4	29 1/2	24 1/2	2-4 1/2 NC	10 1/2	53,700	260.00															
	110.00	ZGT125110MM10	173.16	431.80	88.90	508.00	158.75	152.40	22.00	19.05	234.95	819.15	749.30	622.30	2-4 1/2 NC	266.70	24,300	118.00															
	115.00	ZGT125115MM10	117.00																														
13	4 15/16	ZGT13541510	7 3/16	18	3 1/2	21	7 7/8	6	7/8	3/4	9 7/16	34 5/8	31 3/4	26 5/16	2 1/4-4 1/2 NC	10 1/2	68,000	329.00															
	5	ZGT13550010																326.00															
	125.00	ZGT135125MM10																182.56	457.20	88.90	533.40	200.03	152.40	22.00	19.05	239.71	879.48	806.45	668.34	2-4 1/2 NC	266.70	30,800	149.00
	130.00	ZGT135130MM10																148.00															
14	5 7/16	ZGT14550710	9 11/16	23	7	31	8	10	1 1/8	1	10 1/2	44 7/8	42 1/4	35	3-4 NC	10 1/2	125,000	1,200.00															
	140.00	ZGT145140MM10	246.06	584.20	177.80	787.40	203.20	254.00	28.00	25.40	266.70	1,139.83	1,073.15	889.00	2 1/4-4 1/2 NC	266.70	56,200	545.00															
15	5 15/16	ZGT15551510	9 11/16	23	7	31	8 1/8	10	1 1/8	1	10 1/2	44 7/8	42 1/4	35	3-4 NC	10 1/2	125,000	1,200.00															
	6	ZGT15560010																1,200.00															
	150.00	ZGT155150MM10																246.06	584.20	177.80	787.40	206.38	254.00	28.00	25.40	266.70	1,139.83	1,073.15	889.00	3-4 NC	266.70	56,200	545.00
160.00	ZGT155160MM10	1,200.00																															
16	6 7/16	ZGT16560710	9 11/16	23	7	31	8 3/4	10	1 1/8	1	10 1/2	44 7/8	42 1/4	35	3-4 NC	10 1/2	125,000	1,200.00															
	6 15/16	ZGT16561510																1,200.00															

Continued...

Continued...

Bearing Dimensions

Size Code	Shaft Diameter	Part Number	A Base to Centerline Height	B Frame Bolt Hole Spacing	G Bolt Hole Spacing (Width)	C	D	E	F	H	J	L	S	X	Y	Adjust.	Allowable Working Load	Approx. Weight
16	7	ZGT16570010	9 ¹¹ / ₁₆	23	7	31	8 ³ / ₄	10	1 ¹ / ₈	1	10 ¹ / ₂	44 ⁷ / ₈	42 ¹ / ₄	35	3-4 NC	10 ¹ / ₂	125,000	1,200.00
	180.00	ZGT165180MM10	246.06	584.20	177.80	787.40	222.25	254.00	28.00	25.40	266.70	1,139.83	1,073.15	889.00	3-4 NC	266.70	56,200	545.00

Additional Notes

Please call 1-866-REXNORD for availability
 Metric bore sizes available, see Rex Interchangeability guide
 Lubrication fitting tap size, 1/8 PT
 Bore size = nominal shaft size +.001 in/-.000 in (+0.03 mm/-0.00 mm)
 Seals - To specify K or M seal, replace "Z" in part number with "K" or "M"
 Auxiliary end caps - available in all size codes
 Allowable working load is 2/3 yield strength

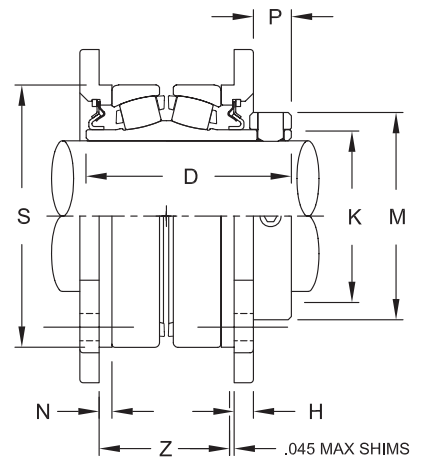
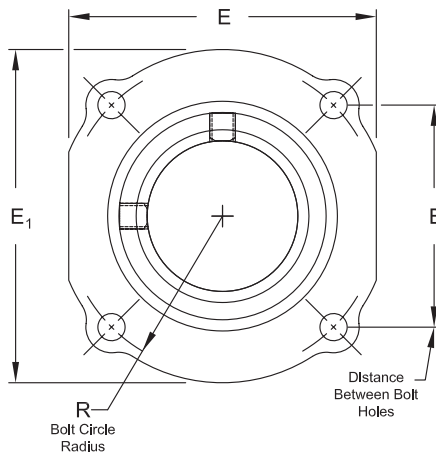
For the Selection Guide, Load Ratings and Speed Limits, see the Rex Spherical Roller Bearings Engineering section
 Note: Dimensions subject to change. Certified dimensions of ordered material furnished on request.



Photo Shows a Spherical Roller Bearing Duplex Unit

Product Features

- Corrosion-resistant powder coating
- Cast iron housing
- Misalignment capabilities - total of 4°
- Broad range of sealing options
- Factory set clearance & lubrication
- Precision ground & superfinished raceways
- Hardened spring locking collar
- Field interchangeable seals
- See Features & Benefits for additional info.



Bearing Dimensions

Size Code	Shaft Diameter	Part Number	B Distance Between Bolt Holes	R Bolt Circle Radius	D	E1	E	F	H	K	M	N	P	S	Z	Recommended Housing Bore Diameter	Approx. Weight														
4	1 7/16	ZD2107	2 9/16	1 13/16	2 7/8	3 3/4	3 5/16	3/8	5/16	1 3/4	2 5/16	7/32	5/8	2.8380	1.725	2.8360	3.00														
	1 1/2	ZD2108															2.90														
	35.00	ZD2035MM															65.09	46.04	73.02	96.30	84.14	10.00	7.94	44.450	58.74	5.54	15.88	72.0852	43.815	72.0344	1.40
5	1 11/16	ZD2111	2 7/8	2 1/32	3 1/8	4 1/4	3 3/4	3/8	5/16	2 1/32	2 19/32	3/16	5/8	3.3500	1.930	3.3480	4.20														
	1 3/4	ZD2112															4.00														
	40.00	ZD2040MM	73.02	15.59	79.38	107.95	95.25	10.00	7.94	26.190	65.88	5.02	15.88	85.0900	49.022	85.0392	2.00														
	45.00	ZD2045MM															1.90														
6	1 15/16	ZD2115	3	2 1/8	3 1/8	4 1/2	4	3/8	5/16	2 5/16	2 7/8	3/16	2 1/32	3.5470	1.875	3.5450	4.60														
	2	ZD2200															4.50														
	50.00	ZD2050MM															76.20	59.98	79.38	114.30	101.60	10.00	7.94	58.740	73.03	5.02	16.66	90.0938	47.625	90.0430	2.10
7	2 3/16	ZD2203	3 13/32	2 13/32	3 5/16	5 1/8	4 9/16	7/16	5/16	2 5/8	3 1/4	1/8	1 1/16	3.9400	1.880	3.9390	6.20														
	2 1/4	ZD2204															6.10														
	55.00	ZD2055MM															85.52	61.11	84.14	130.18	115.89	11.00	7.94	66.680	82.55	3.18	17.45	100.0760	47.752	86.1822	2.80
8	2 3/8	ZD2206	3 23/32	2 5/8	3 1/2	5 1/2	4 15/16	1/2	5/16	2 29/32	3 9/16	1/4	3/4	4.3340	2.225	4.3320	7.80														
	2 7/16	ZD2207															7.70														
	2 1/2	ZD2208															7.50														
	60.00	ZD2060MM	94.43	66.68	88.90	139.70	125.41	13.00	7.94	73.810	90.49	6.35	19.05	110.0836	56.515	110.0328	3.50														
	65.00	ZD2065MM															3.30														
9	2 11/16	ZD2211	4 21/64	3 1/16	4	6 1/2	6	1/2	3/8	3 3/8	4 1/16	1/4	3/4	5.1200	2.600	5.1190	13.30														
	2 3/4	ZD2212															13.10														
	2 15/16	ZD2215															12.10														
	3	ZD2300															11.60														
	70.00	ZD2070MM															109.93	77.79	101.60	165.10	152.40	13.00	9.53	85.730	103.19	6.35	19.05	130.0480	66.040	130.0226	6.00
75.00	ZD2075MM	5.80																													
10	3 3/16	ZD2303	4 61/64	3 1/2	4 3/8	7 3/8	6 13/16	5/8	7/16	3 31/32	4 29/32	3/16	7/8	5.9080	2.664	5.9060	18.70														
	3 7/16	ZD2307															17.20														
	3 1/2	ZD2308															16.80														
	80.00	ZD2080MM															125.80	88.90	111.13	187.33	173.04	16.00	11.11	100.810	124.62	5.02	22.23	105.0632	67.666	150.0124	18.50
	85.00	ZD2085MM																													18.10
90.00	ZD2090MM	17.80																													
11	3 11/16	ZD2311	6 3/16	4 3/8	5 1/16	9 1/8	8 5/8	5/8	1 7/32	4 9/16	5 5/8	1 5/64	1	7.0890	3.190	7.0880	35.50														
	3 15/16	ZD2315															31.20														
	4	ZD2400															30.50														
	100.00	ZD2100MM															157.16	111.13	128.59	231.78	219.08	16.00	13.49	115.890	142.88	5.94	25.40	180.0606	81.026	180.0352	14.20

Additional Notes

- Please call 1-866-REXNORD for availability
- Metric bore sizes available, see Rex Interchangeability guide
- Bore size = nominal shaft size +.001 in/-.000 in (+0.03 mm/-0.00 mm)
- Outer race O.D. tolerance, +.000"/-.001" (-0.00 mm/+0.03 mm)
- Recommended housing bore diameter tolerance, +.002"/-.000" (+0.05 mm/-0.00 mm)
- Seals - To specify K or M seal, replace "Z" in part number with "K" or "M"
- Auxiliary end caps - not available

For the Selection Guide, Load Ratings and Speed Limits, see the Rex Spherical Roller Bearings Engineering section
 Note: Dimensions subject to change. Certified dimensions of ordered material furnished on request.

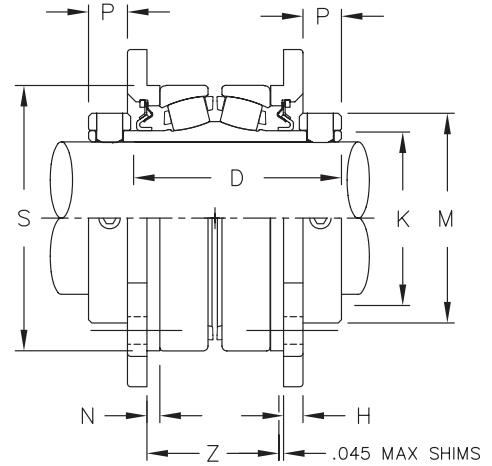
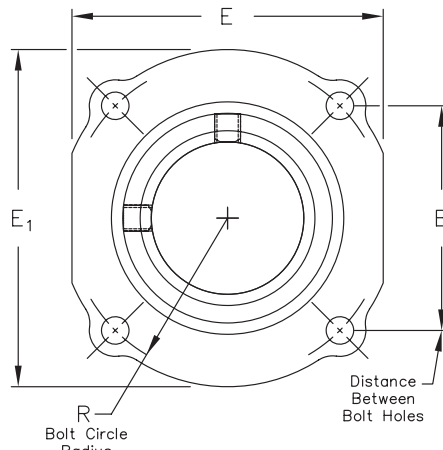
ZD5000



Photo Shows a Spherical Roller Bearing Duplex Unit

Product Features

- Corrosion-resistant powder coating
 - Cast iron housing
 - Misalignment capabilities - total of 4°
 - Broad range of sealing options
 - Factory set clearance & lubrication
 - Precision ground & superfinished raceways
 - Two hardened spring locking collars
 - Field interchangeable seals
- See Features & Benefits for additional info.



Bearing Dimensions

Size Code	Shaft Diameter	Part Number	B Distance Between Bolt Holes	R Bolt Circle Radius	D	E1	E	F	H	K	M	N	P	S	Z	Recommended Housing Bore Diameter	Approx. Weight	
4	1 7/16	ZD5107	2 9/16	1 13/16	3 9/16	3 3/4	3 5/16	3/8	5/16	1 3/4	2 5/16	7/32	5/8	2.8380	1.725	2.8360	3.40	
	35.00	ZD5035MM	65.09	46.04	90.49	96.30	84.14	10.00	7.94	44.450	58.74	5.54	15.88	72.0852	43.815	72.0344	1.50	
5	1 1/2	ZD5108	2 7/8	2 1/32	3 13/16	4 1/4	3 3/4	3/8	5/16	2 1/32	2 19/32	3/16	5/8	3.3500	1.930	3.3480	5.40	
	1 11/16	ZD5111															4.80	
	40.00	ZD5040MM	73.02	15.59	96.84	107.95	95.25	10.00	7.94	26.190	65.88	5.02	15.88	85.0900	49.022	85.0392	2.50	
6	45.00	ZD5045MM															2.30	
	1 15/16	ZD5115	3	2 1/8	3 13/16	4 1/2	4	3/8	5/16	2 5/16	2 7/8	3/16	2 1/32	3.5470	1.875	3.5450	5.20	
7	50.00	ZD5050MM	76.20	59.98	96.84	114.30	101.60	10.00	7.94	58.740	73.03	5.02	16.66	90.0938	47.625	90.0430	2.40	
	2	ZD5200	3 13/32	2 13/32	4 1/8	5 1/8	4 9/16	7/16	5/16	2 5/8	3 1/4	1/8	1 1/16	3.9400	1.880	3.9390	7.90	
	2 3/16	ZD5203															7.30	
55.00	ZD5055MM	85.52	61.11	104.78	130.18	115.89	11.00	7.94	2 5/8	82.55	3.18	17.45	100.0760	47.752	86.1822	3.30		
8	2 7/16	ZD5207	3 23/32	2 5/8	4 3/8	5 1/2	4 15/16	1/2	5/16	2 29/32	3 9/16	1/4	3/4	4.3340	2.225	4.3320	8.80	
	60.00	ZD5060MM	94.43	66.68	111.13	139.70	125.41	13.00	7.94	73.810	90.49	6.35	19.05	110.0836	56.515	110.0328	4.00	
	65.00	ZD5065MM																
2 1/2	ZD5208	4 2 1/64	3 1/16	4 7/8	6 1/2	6	1/2	3/8	3 3/8	4 1/16	1/4	3/4	5.1200	2.600	5.1190	16.60		
2 11/16	ZD5211															15.30		
2 15/16	ZD5215															13.20		
70.00	ZD5070MM															7.00		
9	75.00	ZD5075MM	109.93	77.79	123.83	165.10	152.40	13.00	9.53	85.730	103.19	6.35	19.05	130.0480	66.040	130.0226	6.70	
	3 3/16	ZD5303	4 6 1/64	3 1/2	5 5/16	7 3/8	6 13/16	5/8	7/16	3 31/32	4 29/32	3/16	7/8	5.9080	2.664	5.9060	21.20	
	3 7/16	ZD5307															19.40	
80.00	ZD5080MM	125.80	88.90	134.94	187.33	173.04	16.00	11.11	100.810	124.62	5.02	22.23	105.0632	67.666	150.0124	9.60		
10	85.00	ZD5085MM															9.40	
	90.00	ZD5090MM																9.10
	3 11/16	ZD5311	6 3/16	4 3/8	6 1/8	9 1/8	8 5/8	5/8	17/32	4 9/16	5 5/8	15/64	1	7.0890	3.190	7.0880	38.00	
	3 15/16	ZD5315															35.00	
4	ZD5400	34.00																
100.00	ZD5100MM	157.16	111.13	155.58	231.78	219.08	16.00	13.49	115.890	142.88	5.94	25.40	180.0606	81.026	180.0352	15.90		

Additional Notes

- Please call 1-866-REXNORD for availability
- Metric bore sizes available, see Rex Interchangeability guide
- Bore size = nominal shaft size +.001 in/-.000 in (+0.03 mm/-0.00 mm)
- Outer race O.D. tolerance, +.000 in/-.001 in (-0.00 mm/+0.03 mm)
- Recommended housing bore diameter tolerance, +.002 in/-.000 in (+0.05 mm/-0.00 mm)
- Seals - To specify K or M seal, replace "Z" in part number with "K" or "M"

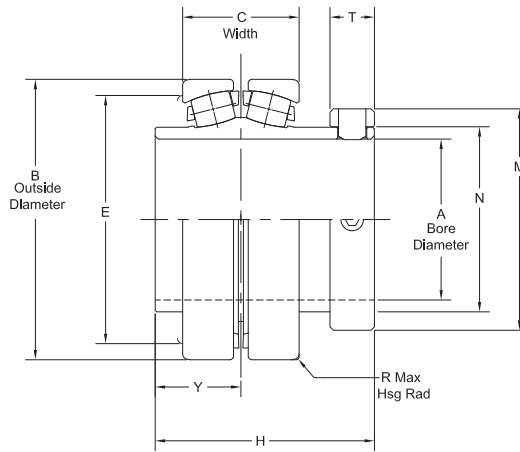
- Auxiliary end caps - not available
- For the Selection Guide, Load Ratings and Speed Limits, see the Rex Spherical Roller Bearings Engineering section
- Note: Dimensions subject to change. Certified dimensions of ordered material furnished on request.



Photo Shows an Unmounted Spherical Roller Bearing

Product Features

- Precision ground & superfinished raceways
- Hardened spring locking collar
- Self aligning
- See Features & Benefits for additional info.



Bearing Dimensions

Size Code	Shaft Diameter	Part Number	A	B	C	E	H	M	N	R Housing Max	T	Y	Approx. Weight
2	³ / ₄	2012U	0.7500	2.3775	1.19	2.00	2.57	1.74	1.31	0.04	0.5	1.00	1.30
	¹⁵ / ₁₆	2015U	0.9375										
	1	2100U	1.0000										
	25.00 mm	2025MMU	25.00 mm	60.3885 mm	30.1752 mm	50.800 mm	65.075 mm	44.069 mm	33.198 mm	1.168 mm	12.700 mm	25.400 mm	0.60 kg
3	1 ¹ / ₈	2102U	1.1250	2.6275	1.31	2.31	2.69	1.96	1.53	0.05	0.5	1.06	1.80
	1 ³ / ₁₆	2103U	1.1875										
	1 ¹ / ₄	2104U	1.2500										
	30.00 mm	2030MMU	30.00 mm	66.7385 mm	33.3248 mm	58.750 mm	68.275 mm	49.784 mm	38.913 mm	1.575 mm	12.700 mm	26.975 mm	0.80 kg
4	1 ⁷ / ₁₆	2107U	1.4375	2.8370	1.31	2.50	2.88	2.30	1.75	0.05	0.63	1.09	2.20
	1 ¹ / ₂	2108U	1.5000										
	35.00 mm	2035MMU	35.00 mm	72.0598 mm	33.274 mm	63.500 mm	73.025 mm	58.420 mm	44.323 mm	1.575 mm	15.875 mm	27.788 mm	1.00 kg
5	1 ¹¹ / ₁₆	2111U	1.6875	3.3490	1.58	2.88	3.13	2.58	2.03	0.05	0.63	1.22	3.20
	1 ³ / ₄	2112U	1.7500										
	40.00 mm	2040MMU	40.00 mm										
	45.00 mm	2045MMU	45.00 mm	85.0646 mm	40.0812 mm	73.025 mm	79.375 mm	65.583 mm	51.486 mm	1.575 mm	15.875 mm	30.963 mm	1.50 kg
6	1 ¹⁵ / ₁₆	2115U	1.9375	3.5460	1.53	3.19	3.13	2.88	2.31	0.05	0.63	1.22	3.30
	2	2200U	2.0000										
	50.00mm	2050MMU	50.00mm	90.0684 mm	38.760 mm	80.975 mm	79.4385 mm	73.025 mm	58.598 mm	1.981 mm	15.875 mm	30.963 mm	1.50 kg
7	2 ³ / ₁₆	2203U	2.1875	3.9395	1.66	3.50	3.32	3.25	2.62	0.05	0.75	1.25	4.60
	2 ¹ / ₄	2204U	2.2500										
	55.00 mm	2055MMU	55.00 mm	100.0633 mm	42.0624 mm	88.900 mm	82.1248 mm	82.550 mm	66.548 mm	1.575 mm	19.050 mm	31.750 mm	2.10 kg
8	2 ³ / ₈	2206U	2.3750	4.3332	1.75	3.88	3.51	3.55	2.90	0.05	0.81	1.31	5.80
	2 ⁷ / ₁₆	2207U	2.4375										
	2 ¹ / ₂	2208U	2.5000										
	60.00 mm	2060MMU	60.00 mm	110.0633 mm	44.450 mm	98.425 mm	88.9000 mm	90.246 mm	73.685 mm	1.981 mm	20.676 mm	33.325 mm	2.60 kg
9	65.00 mm	2065MMU	65.00 mm	5.1197	2.13	4.53	4.00	4.04	3.37	0.05	0.81	1.56	9.50
	2 ¹¹ / ₁₆	2211U	2.6875										
	2 ³ / ₄	2212U	2.7500										
	2 ¹⁵ / ₁₆	2215U	2.9375										
	3	2300U	3.0000										
	70.00 mm	2070MMU	70.00 mm	130.0404 mm	53.9750 mm	115.087 mm	101.6000 mm	102.667 mm	85.598 mm	1.981 mm	20.676 mm	39.726 mm	4.30 kg
75.00 mm	2075MMU	75.00 mm											

Continued...

Continued...

Bearing Dimensions

10	3 ³ / ₁₆	2303U	3.1875	5.9070	2.31	5.34	4.39	4.90	3.98	0.05	0.81	1.72	13.50
	3 ⁷ / ₁₆	2307U	3.4375										
	3 ¹ / ₂	2308U	3.5000										
	80.00 mm	2080MMU	80.00 mm	150.0378 mm	58.7502 mm	135.738 mm	111.125 mm	124.562 mm	100.965 mm	3.175 mm	20.676 mm	43.663 mm	6.10 kg
	85.00 mm	2085MMU	85.00 mm										
90.00 mm	2090MMU	90.00 mm											
11	3 ¹¹ / ₁₆	2311U	3.6875	7.0885	2.75	6.38	5.20	5.63	4.56	0.05	1.00	2.00	24.00
	3 ¹⁵ / ₁₆	2315U	3.9375							-			
	4	2400U	4.0000										
	100.00 mm	2100MMU	100.00 mm	180.0479 mm	69.8500 mm	161.925 mm	128.5494 mm	142.875 mm	115.875 mm	3.175 mm	25.400 mm	50.800 mm	10.90 kg

Additional Notes

Please call 1-866-REXNORD for availability

Metric bore sizes available, see Rex Interchangeability guide

Bearing O.D. tolerance, +.0000 in/-.0010 in (+0.000 mm/-0.030 mm)

Bore tolerance for all size codes, +.0010 in/-.0000 in (+0.030 mm/-0.000 mm)

For the Selection Guide, Load Ratings and Speed Limits, see the Rex Spherical Roller Bearings Engineering section

Note: Dimensions subject to change. Certified dimensions of ordered material furnished on request.

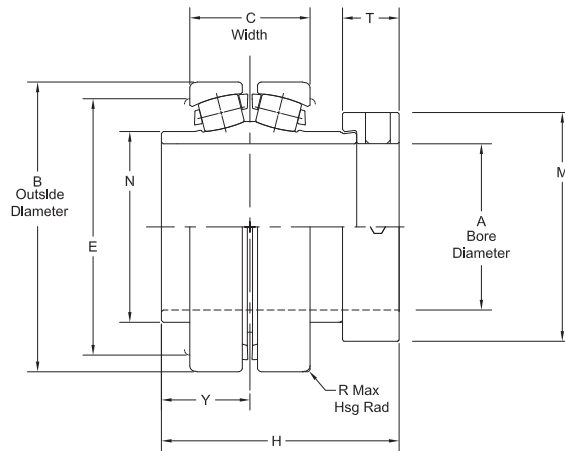
3000U



Photo Shows an Unmounted Spherical Roller Bearing

Product Features

- Precision ground & superfinished raceways
- Eccentric locking collar
- Self aligning
- See Features & Benefits for additional info.



Bearing Dimensions

Size Code	Shaft Diameter	Part Number	A	B	C	E	H	M	N	R Housing Max	T	Y	Approx. Weight
4	1 ⁷ / ₁₆	3107U	1.4375	2.8370	1.31	2.50	2.92	2.30	1.75	0.05	0.66	1.09	2.40
5	1 ¹¹ / ₁₆	3111U	1.6875	3.3490	1.58	2.88	3.18	2.58	2.03	0.05	0.68	1.22	3.40
6	1 ¹⁵ / ₁₆	3115U	1.9375	3.5460	1.53	3.19	3.28	2.75	2.31	0.05	0.72	1.22	3.50
7	2 ³ / ₁₆	3203U	2.1875	3.9395	1.66	3.50	3.50	3.25	2.62	0.05	0.92	1.25	4.90
8	2 ⁷ / ₁₆	3207U	2.4375	4.3332	1.75	3.88	3.65	3.55	2.90	0.05	0.94	1.31	6.00
	2 ¹ / ₂	3208U	2.5000										
9	2 ¹¹ / ₁₆	3211U	2.6875	5.1197	2.13	4.53	4.20	4.04	3.37	0.05	1.00	1.56	9.50
	2 ¹⁵ / ₁₆	3215U	2.9375										
10	3 ⁷ / ₁₆	3307U	3.4375	5.9070	2.31	5.34	4.57	4.90	3.98	0.05	1.00	1.72	13.00
	3 ¹ / ₂	3308U	3.5000										
11	3 ¹⁵ / ₁₆	3315U	3.9375	7.0885	2.75	6.38	5.19	5.63	4.56	0.05	1.00	2.00	23.20

Additional Notes

- Please call 1-866-REXNORD for availability
- Bearing O.D. tolerance, +.0000 in/-.0010 in (**+0.000 mm/-0.030 mm**)
- Bore tolerance for all size codes, +.0010 in/-.0000 in (**+0.030 mm/-0.000 mm**)
- For the Selection Guide, Load Ratings and Speed Limits, see the Rex Spherical Roller Bearings Engineering section
- Note: Dimensions subject to change. Certified dimensions of ordered material furnished on request.

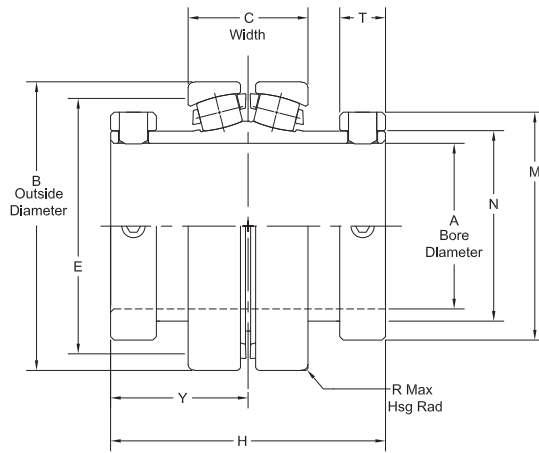
5000U



Photo Shows an Unmounted Spherical Roller Bearing

Product Features

- Precision ground & superfinished raceways
- Two hardened spring locking collars
- Self aligning
- See Features & Benefits for additional info.



Bearing Dimensions

Size Code	Shaft Diameter	Part Number	A	B	C	E	H	M	N	R Housing Max	T	Y	Approx. Weight
4	1 7/16	5107U	1.4375	2.8370	1.31	2.50	3.45	2.30	1.75	0.05	0.63	1.78	2.70
5	1 1/2	5108U	1.5000	3.3490	1.58	2.88	3.81	2.58	2.03	0.05	0.63	1.91	4.00
	1 11/16	5111U	1.6875										
6	1 15/16	5115U	1.9375	3.5460	1.53	3.19	3.81	2.88	2.31	0.05	0.63	1.91	4.10
7	2	5200U	2.0000	3.9395	1.66	3.50	4.13	3.25	2.62	0.05	0.75	2.06	6.10
	2 3/16	5203U	2.1875										
8	2 7/16	5207U	1.4375	4.3332	1.75	3.88	4.37	3.55	2.90	0.05	0.81	2.19	6.80
9	2 1/2	5208U	2.5000	5.1197	2.13	4.53	4.87	4.04	3.37	0.05	0.81	2.44	11.50
	2 11/16	5211U	2.6875										
	2 3/4	5212U	2.7500										
	2 15/16	5215U	2.9375										
10	3 3/16	5303U	3.1875	5.9070	2.31	5.34	5.32	4.90	3.98	0.05	0.81	2.66	16.00
	3 7/16	5307U	3.4375										
11	3 11/16	5311U	3.6875	7.0885	2.75	6.38	6.25	5.63	4.56	0.05	1.00	3.06	26.00
	3 15/16	5315U	3.9375										
12	4	5400U	4.0000	7.6815	2.79	6.88	6.25	6.19	5.03	0.05	1.00	3.13	29.50
	4 3/16	5403YU	4.1875										
	4 7/16	5407YU	4.4375										
	4 1/2	5408YU	4.5000										
13	4 15/16	5415U	4.9375	9.0574	3.56	8.00	7.88	7.05	5.75	0.05	1.06	3.94	61.00
	5	5500U	5.0000										
14	5 7/16	5507U	5.4375	10.6322	3.91	9.25	8.00	8.19	6.50	0.05	1.19	4.00	79.00
	5 15/16	5515U	5.9375										
15	6	5600U	6.0000	11.4196	4.01	10.13	8.13	8.64	7.20	0.05	1.13	4.07	95.00
	6 7/16	5607U	6.4375										
16	6 15/16	5615U	6.9375	12.6006	4.28	11.25	8.75	9.72	8.05	0.06	1.19	4.38	112.00
	7	5700U	7.0000										

Additional Notes

- Please call 1-866-REXNORD for availability
- Metric bore sizes available, see Rex Interchangeability guide
- Bearing O.D. tolerance for size codes 4 thru 13, +0.000 in/-0.010 in (+0.000 mm/-0.030 mm); for all other size codes, +0.000 in/-0.015 in (+0.000 mm/-0.038 mm)
- Bore tolerance for all size codes, +0.010 in/-0.000 in (+0.030 mm/-0.000 mm)
- For the Selection Guide, Load Ratings and Speed Limits, see the Rex Spherical Roller Bearings Engineering section

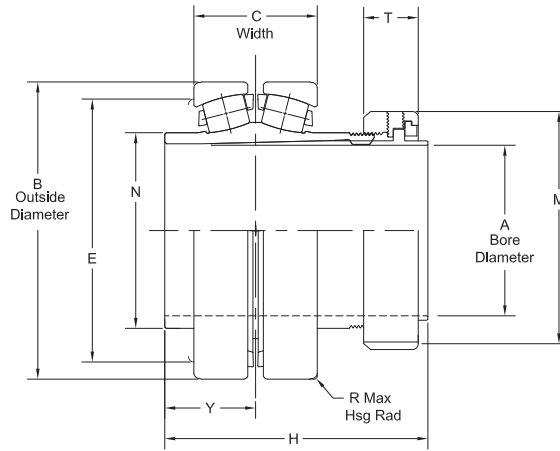
Note: Dimensions subject to change. Certified dimensions of ordered material furnished on request.



Photo Shows an Unmounted Spherical Roller Bearing

Product Features

- Spyglass™ Optical Strain Sensor (OSS) Technology
- Positive locking system
- Tapered adapter sleeve
- Precision ground & superfinished raceways
- Self aligning
- See Features & Benefits for additional info.



Bearing Dimensions

Size Code	Shaft Diameter	Part Number	A	B	C	E	H	M	N	R Housing Max	T	Y	Approx. Weight
4	1 7/16	6107U	1.4375	2.8370	1.31	2.50	3.33	2.38	1.75	0.05	0.79	1.10	1.7
5	1 11/16	6111U	1.6875	3.3490	1.58	2.88	3.74	2.64	2.03	0.05	0.81	1.23	2.7
6	1 15/16	6115U	1.9375	3.5460	1.53	3.19	3.64	2.86	2.31	0.05	0.77	1.29	3.30
	45.00 mm	6045MMU	45.00 mm	90.0684 mm	38.760 mm	80.975 mm	92.4204 mm	72.746 mm	58.598 mm	1.981 mm	19.685 mm	32.868 mm	1.50 kg
7	2 3/16	6203U	2.1875	3.9395	1.66	3.50	3.77	3.24	2.62	0.05	0.82	1.25	4.60
	55.00 mm	6055MMU	55.00 mm	100.0633 mm	42.0624 mm	88.900 mm	93.4568 mm	81.991 mm	66.548 mm	1.575 mm	20.904 mm	31.750 mm	2.10 kg
8	2 3/8	6206U	2.3750	4.3332	1.75	3.88	4.16	3.59	2.90	0.05	0.90	1.31	5.80
	2 7/16	6207U	2.4375										
	60.00 mm	6060MMU	60.00 mm	110.0633 mm	44.450 mm	98.425 mm	103.0478 mm	91.262 mm	73.685 mm	1.981 mm	22.885 mm	33.325 mm	2.60 kg
9	2 11/16	6211U	2.6875	5.1197	2.13	4.53	4.53	4.09	3.37	0.05	0.94	1.56	9.50
	2 3/4	6212U	2.7500										
	2 15/16	6215U	2.9375										
	70.00 mm	6070MMU	70.00 mm										
	75.00 mm	6075MMU	75.00 mm	130.0404 mm	53.9750 mm	115.087 mm	115.1001 mm	104.140 mm	85.598 mm	1.981 mm	23.876 mm	39.726 mm	4.30 kg
10	3 3/16	6303U	3.1875	5.9070	2.31	5.34	5.14	4.95	3.98	0.05	1.09	1.73	13.50
	3 7/16	6307U	3.4375										
	80.00 mm	6080MMU	80.00 mm										
	85.00 mm	6085MMU	85.00 mm										
	150.0378 mm	58.7502 mm	135.738 mm	127.7798 mm	125.730 mm	100.965 mm	3.175 mm	27.661 mm	43.815 mm	6.10 kg			
11	3 11/16	6311U	3.6875	7.0885	2.75	6.38	5.97	5.67	4.56	0.05	1.22	2.00	24.00
	3 15/16	6315U	3.9375										
	100.00 mm	6100MMU	100.00 mm										
	180.0479 mm	69.8500 mm	161.925 mm	147.0228 mm	144.018 mm	115.875 mm	3.175 mm	31.039 mm	50.800 mm	10.90 kg			
12	4 3/16	6403YU	4.1875	7.6815	2.79	6.88	6.25	6.06	5.03	0.05	1.30	2.25	29.50
	4 7/16	6407YU	4.4375										
	110.00 mm	6110MMU	110.00 mm										
	195.1101 mm	68.0491 mm	174.752 mm	158.8872 mm	154.026 mm	127.813 mm	3.175 mm	33.096 mm	57.150 mm	13.40 kg			
13	4 15/16	6415U	4.9375	9.0574	3.56	8.00	7.93	6.95	5.75	0.05	1.55	2.91	61.00
	125.00 mm	6125MMU	125.00 mm										
	230.0580 mm	90.3249 mm	203.200 mm	201.0105 mm	176.555 mm	146.050 mm	3.175 mm	39.370 mm	73.812 mm	27.70 kg			
14	5 7/16	6507U	5.4375	10.6322	3.97	9.25	8.77	8.02	6.50	0.05	2.01	2.92	79.00
15	5 15/16	6515U	5.9375	11.4196	7.01	10.13	9.30	8.66	7.20	0.05	2.21	2.93	95.00
16	6 7/16	6607U	6.4375	12.6006	4.27	11.25	10.00	9.75	8.05	0.06	2.42	3.25	112.00
	6 15/16	6615U	6.9375										

Additional Notes

- Please call 1-866-REXNORD for availability
- Bearing O.D. tolerance, +.0000 in/-.0010 in (+0.000 mm/-0.030 mm)
- Bore tolerance for all size codes, +.0010 in/-.0000 in (+0.030 mm/-0.000 mm)
- For the Selection Guide, Load Ratings and Speed Limits, see the Rex Spherical Roller Bearings Engineering section
- Note: Dimensions subject to change. Certified dimensions of ordered material furnished on request.

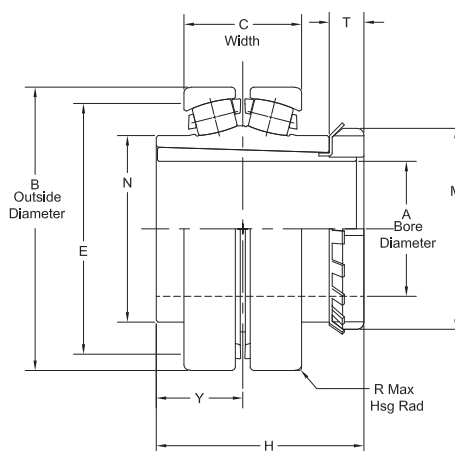
9000U



Photo Shows an Unmounted Spherical Roller Bearing

Product Features

- Precision ground & superfinished raceways
- Enhanced life mounting style
- Self aligning
- See Features & Benefits for additional info.



Bearing Dimensions

Size Code	Shaft Diameter	Part Number	A	B	C	E	H	M	N	R Housing Max	T	Y	Approx. Weight
7	1 ¹⁵ / ₁₆	9115U	1.9375	3.9395	1.66	3.50	3.14	2.97	2.62	0.05	0.55	1.25	4.20
	2	9200U	2.0000										
8	2 ³ / ₁₆	9203U	2.1875	4.3332	1.75	3.88	3.34	3.38	2.90	0.05	0.62	1.31	5.30
	2 ⁷ / ₁₆	9207U	2.4375										
9	2 ¹ / ₂	9208U	2.5000	5.1197	2.13	4.53	3.74	3.63	3.37	0.05	0.63	1.56	7.80
	2 ¹¹ / ₁₆	9211U	2.6875										
10	2 ¹⁵ / ₁₆	9215U	2.9375	5.9070	2.31	5.34	4.25	4.41	3.98	0.05	0.72	1.72	13.00
	3	9300U	3.0000										
	3 ³ / ₁₆	9303U	3.1875										
11	3 ⁷ / ₁₆	9307U	3.4375	7.0885	2.75	6.38	5.07	5.19	4.56	0.05	0.83	2.00	25.00
	3 ¹¹ / ₁₆	9311YU	3.6875										
	3 ¹⁵ / ₁₆	9315YU	3.9375										
12	4	9400YU	4.0000	7.6815	2.79	6.88	5.41	5.72	5.03	0.05	0.89	2.38	25.00
	4 ³ / ₁₆	9403U	4.1875										
	4 ⁷ / ₁₆	9407U	4.4375										
13	4 ¹⁵ / ₁₆	9415U	4.9375	10.6322	3.98	9.25	7.19	7.09	6.50	0.05	1.05	2.93	69.00
	5	9500U	5.0000										
	5 ³ / ₁₆	9503U	5.1875										
14	5 ⁷ / ₁₆	9507U	5.4375	11.4196	4.01	10.13	7.57	8.06	7.20	0.05	1.18	2.94	85.00
	5 ¹⁵ / ₁₆	9515U	5.9375										
15	6	9600U	6.0000	12.6006	4.28	11.25	7.75	9.06	8.05	0.06	1.24	3.25	104.00
	6 ⁷ / ₁₆	9607U	6.4375										
	6 ¹⁵ / ₁₆	9615U	6.9375										

Additional Notes

- Please call 1-866-REXNORD for availability
- Bearing O.D. tolerance for size codes 7 thru 13, +.0000 in/-.0010 in
(+0.000 mm/-0.030 mm) for all other size codes, +.0000 in/-.0015 in
(+0.000 mm/-0.038 mm)
- Bore tolerance for all size codes, +.0010 in/-.0000 in (+0.030 mm/-0.000 mm)
- For the Selection Guide, Load Ratings and Speed Limits, see the Rex Spherical Roller Bearings Engineering section
- Note: Dimensions subject to change. Certified dimensions of ordered material furnished on request.

Rex Replacement Kits



Set Collar Kit



Eccentric Locking Collar Kit



Threaded Cover Kit



Adapter Sleeve Kit



Z Seal Kit - Contains 2 Seal Assemblies



K Seal Kit - Contains 2 Seal Assemblies



M Seal Kit - Contains 2 Seal Assemblies



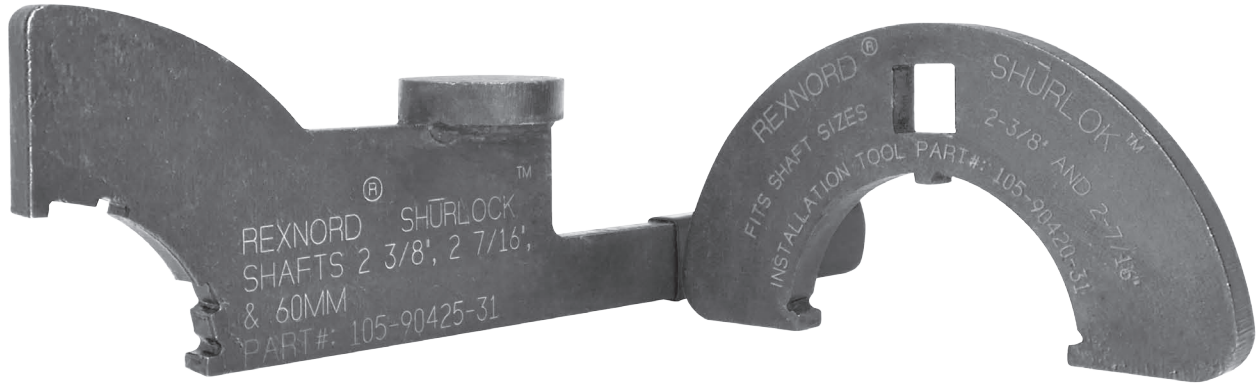
Microlock Assembly Kit

Part Numbers

Size Code	Z	K	M	Threaded Cover Kit	Set Collar Kit	Eccentric Locking Collar Kit	Microlock Assembly Kit	Adapter Assembly Kit
2	ZS2	KS2	MS2	TC2	SC2	-	ML2	-
3	ZS3	KS3	MS3	TC3	SC3	-	ML2	-
4	ZS4	KS4	MS4	TC4	SC4	SC3107	ML2	-
5	ZS5	KS5	MS5	TC5	SC5	SC3111	ML2	-
6	ZS6	KS6	MS6	TC6	SC6	SC3115	ML2	-
7	ZS7	KS7	MS7	TC7	SC7	SC3203	ML2	AK7115 AK7200
8	ZS8	KS8	MS8	TC8	SC8	SC3207 SC3208	ML3	AK8203
9	ZS9	KS9	MS9	TC9	SC9	SC3211 SC3215	ML3	AK9207 AK9208
10	ZS10	KS10	MS10	TC10	SC10	SC3307 SC3308	ML4*	AK10211 AK10215 AK10300
11	ZS11	KS11	MS11	TC11	SC11	SC3315	ML4	AK11303 AK11307 AK11308
12	ZS12Y	-	MS12Y	TC12Y	SC12Y	-	ML4	AK12311Y AK12315Y AK12400Y
13	ZS13	-	MS13	TC13	SC13	-	ML4	AK13403 AK13407
14	ZS14NEW	-	MS14	TC14NEW	SC14	-	ML4	AK14415 AK14500
15	ZS15NEW	-	MS15	TC15NEW	SC15	-	ML4	AK15503 AK15507
16	ZS16NEW	-	MS16	TC16NEW	SC16	-	ML4	AK16515 AK16600 AK16607

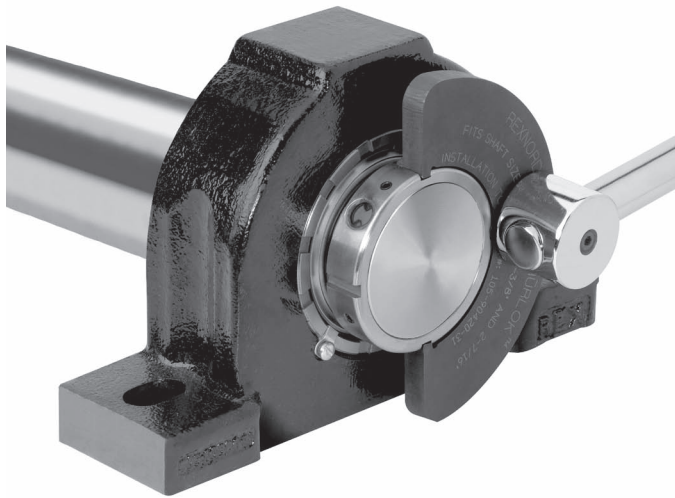
Additional Notes

*Floating units require ML-3



SHURLOK Installation Tools

Rex is pleased to offer a quick installation tool for the SHURLOK bearing. This tool is designed as a supplement to the spanner wrench or drift pin method. The installation tool can be attached to a 3/4" or 1/2" drive ratchet, torque wrench, or breaker bar which can be used as a lever arm. Simply fit the installation tool over the locknut by placing the tool's teeth into the locknut slots. The tool's unique shape allows it to be used from the side or the top of the bearing. To order, refer to the table below for the installation tool that fits your shaft size.

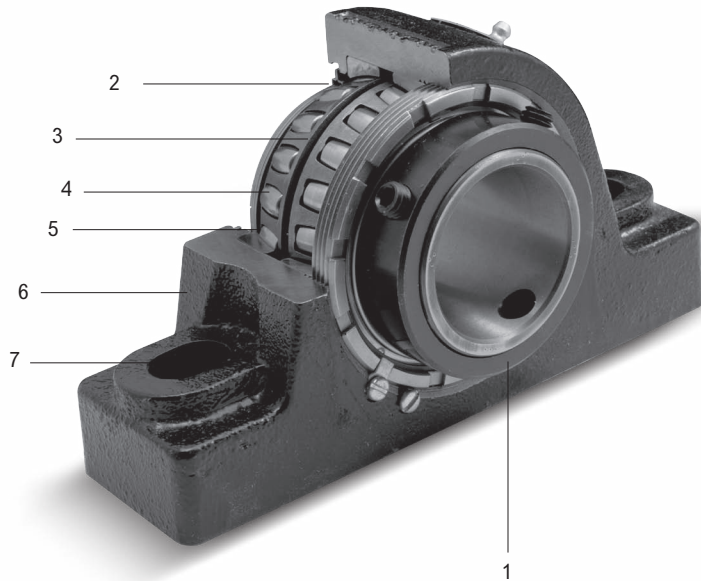


Bearing Size	Wrench Style Installation Tool Part Number	Impact Style Installation Tool Part Number
107	N6107-SPN	N6107-IMP
111	N6111-SPN	N6111-IMP
115	105-90420-11	105-90425-11
203	105-90420-21	105-90425-21
206/207	105-90420-31	105-90425-31
211/212/215	105-90420-41	105-90425-41
303/307	105-90420-51	105-90425-51
311/315	105-90420-61	105-90425-61
403/407	105-90420-71	105-90425-71
415	105-90420-81	105-90425-81
507		105-90425-91
515		105-90426-11
607/615		105-90426-21



Industries Served

Mining
Forest Products
Aggregates
Steel
Air Handling
Construction
Package Handling



Link-Belt Spherical Roller Bearings

Self-aligning double row spherical roller bearings are designed to distribute the load over the symmetrical rollers, assuring positive tracking and smooth operation. The large roller complement provides high capacity for radial or combined radial-thrust loads. Osculation clearance at the ends of the rollers compensates for shock loads and prevents destructive edge loading. These precision bearings with double contoured retainer pockets are designed to meet a broad range of application requirements.



1. Mounting feature

- B22400 Series – Spring locking collar locks inner ring securely to shaft.
- B22500 Series – Two spring locking collars lock inner ring securely to shaft.
- B22600 Series – Tapered adapter mounting system.

2. Choice of three seals

- Floating Labyrinth Type H
- Spring-Loaded Lip Type E
- Triple Lip Type E7

3. Long inner ring for high stability and load support

4. Self-aligning double row

Spherical roller bearing allows for +/- 2 degrees of misalignment to accommodate variations between shaft and support structure as well as shaft deflection during operation.

5. Double contoured retainer pockets

Assures accurate roller control.

6. One-piece cast iron or cast steel housing.

7. Slotted bolt holes in pillow block

Bases facilitate mounting; bottom of base is machined.

Spring Locking Collar(s) – B22400 & B22500 Series

The spring locking collar(s) design provides a secure grip of the wide inner ring bearing to the shaft. The set screws extend through the inner ring of the bearing and lock firmly onto the shaft. Installation is fast and simple. Correctly tightening the set screws produces elastic strain in the spring locking collar resulting in a continuous pressure on the set screw threads and providing a positive lock.

Series B22400, B22500 & B22600 Spherical Roller Bearing Units and Takeups – Features and Benefits

Series B22400 are single collar mounted spherical roller bearing units. Series B22500 are double collar mounted spherical roller bearing units. Series B22600 are adapter mounted spherical roller bearing units. These units provide economic and versatile arrangements for supporting shafts carrying substantial radial or combination radial and thrust loads. These units are especially adaptable for conveyors, elevators, general industrial machinery, heavier duty fans and blowers, power transmission applications, ditchers, trenchers, pavers and other such applications. These series of bearings are easy to mount, sealed, pre-lubricated and do not require bearing adjustment during mounting.

Adapter Mount – B22600 Series

The adapter mounting provides better concentricity and shaft control, increasing service life. Where Turned, Ground and Polished shafting is the norm on collar-mounted units, the maximized mounting power of the B22600 allows for Commercial Grade Shafting compatibility (a commonly used grade of shafting due to its price and availability). Shaft damage from set screws is eliminated with the B22600's improved mounting design. Shaft damage from the bearing inner ring fretting to the shaft (the result of a clearance or loose fit) is also eliminated. These improvements facilitate easier bearing removal, replacement bearing installation and longer shaft service life.

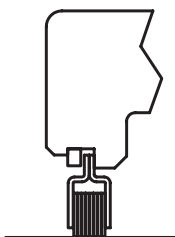


Interchangeable Seals

Three standard sealing systems are available; each offering maximum protection for various application conditions. These seals are interchangeable and are designed for grease lubrication.

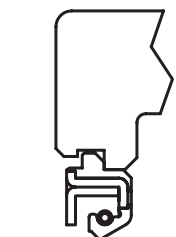
Type H Seal

Type H floating labyrinth seals have multiple self-centering rings held securely in a steel carrier. Type H seals are normally furnished.



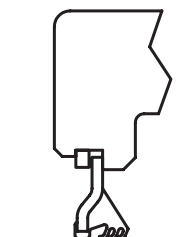
Type E Seal

Type E spring loaded lip seals utilize a spring to provide uniform pressure for keeping the sealing lip in contact with the inner ring. Type E seals are normally used for liquid splash environments.



Type E7 Seal

Type E7 triple lip seal with metal outboard guard is designed for the most severe of applications. The outboard metal guard protects the inner seal lips from abrasion and damage. The three molded, heavy contact lips provide excellent protection from abrasive media, dust and moisture.



One-Piece Cast Iron or Cast Steel Housings

Compact one-piece housings provide for strength and load support. Scientifically contoured housing design provides superior rigidity. Cast iron or cast steel pillow blocks have two or four slotted bolt holes with ample space provided for drilling dowel pin holes. Flanged and flanged cartridge units have drilled mounting

holes and machined mounting surfaces for maximum stability. Cartridge units have cast iron or steel housings and are finished to precision tolerances. Take-up units have machined slots for smooth, precise operation. Pillow blocks, flanged, and cartridge units are available for fixed or expansion operation.



Nomenclature

Symbol	Description	P	E -	B22	4	39	F	H	C	18A
C	Cartridge unit									
CSE	Cartridge unit; steel housing									
EF	Type E Flanged unit; 4-bolt square									
EP	Type E Pillow block; cast iron									
F	Flanged unit; 3- and 4-bolt									
FB	Flanged bracket unit									
FC	Flanged cartridge unit; 4-bolt round									
P	Pillow block									
PK	Pillow block; cast iron housing									
T	Take-up unit, slotted guides									
DS	Take-up, conveyor, hinged top, welded steel frame									
DSH	Take-up, conveyor, extra strength, welded steel frame									
R	Collar opposite cover (B22400 only)									
E	Expansion unit (not used with CSE symbol)									
B22	Spherical roller bearing; extended inner ring separable outer rings									
4	400 series designation (one locking collar)									
5	500 series designation (two locking collars)									
6	600 series designation (adapter mounted)									
B	Inner ring bore equal to a bore of preceding smaller bearing group									
39	Shaft diameter in 16ths of an inch									
M55	Metric series, bore in mm									
F	Four bolt base pillow block									
H	Floating labyrinth seal									
E	Spring-loaded lip seal									
E7	Triple lip seal									
C	Closed end unit									
18	Take-up adjustment, inches									
K4	100% grease filled									
K5	No grease - preservative only									
K6	100% grease filled and housing plugged									
K93	Threaded cover held by dog point set screws									
K98	Threaded cover held by face lock set screws									
18A	SHC100 Grease									
18W	SHC460 Grease									
18Y	SHC220 Grease									
4C	Dow Corning DC44 Grease									
99A	Food Grade Grease									
2, 3, 4, 5	Clearances other than standard									

Seal Rating Guide

Application Conditions	Seal Ratings		
	Clearance	Heavy Contact	Triple Lip
	H	E	E7
Shaft position			
Horizontal Shaft	4	4	4
Vertical Shaft	1	4	4
Operating Temperature			
Below -40°F	4	1	1
-40°F to 0°F	4	3	3
0°F to +250°F	4	4	4
+250°F to +400°F	4	0	0
Over 400°F	4	0	0
Speed			
Equal to / Less than limit below	4	4	4
More than limit below	4	1	1
Vibration/Shock			
Occasional - Mild	3	4	4
Occasional - Severe	2	4	4
Continuous - Mild	1	3	3
Continuous - Severe	0	3	3
Abrasive Material			
Coarse - Over #10 Mesh	4	4	4
Small - #10 to #50 Mesh	3	4	4
Fine - #50 to #200 Mesh	1	4	4
Very fine - Under #200 Mesh	0	4	4
Caking or buildup (cement, etc.)	2	4	4
Moisture			
Splash	2	4	4
Rain	2	4	4
Saturated Atmosphere	1	4	4
Flooding	0	3	4
Pressure Wash	0	4	4
Fibrous Material			
Short Fibers (lint, etc.)	1	4	4
Long Fibers (grass, etc.)	1	4	4
Chemical			
Acid Fumes and Liquids	1	1	1
Alkaline Fumes and Liquids	1	1	1

Rating Code

4 - Excellent - Best seal for conditions listed.

3 - Good - Sealability is above average.

2 - Fair - Seal performs under intermittent conditions.

1 - Limited - Actual conditions must be known to evaluate sealability. Contact Rexnord for special assistance in the realm of materials and designs.

0 - Not acceptable - Will not effectively perform seal functions. Contact Rexnord for special assistance in the realm of materials and designs.

Seal Selection Guide

The choice of the seal for a mounted bearing is often the key to successful bearing operation and long service life. The SEAL SELECTION GUIDE incorporates years of Rexnord's experience against the wide variety of conditions encountered on actual applications. Following the simple selection procedure outlined can translate the benefits of that broad experience to the individual applications through the choice of the most effective seal.

How to Use the Selection Guide

1. The appropriate seal for a given application may be selected by comparing the job application conditions against those listed in the SEAL RATING GUIDE on this page.
2. When more than one application condition is present, the most appropriate seal may be selected based on prime sealing for the most detrimental condition, and secondary consideration given to the other application conditions.

Considerations in Addition to Seal Selection

Under certain adverse conditions, other changes should be considered to achieve maximum bearing life:

- A. High temperature lubricants where housing or ambient temperatures exceed +200°F,
- B. Special greases for additional bearing protection where excessive water, solvents or chemicals are present.
- C. EP (extreme pressure) greases where high load, high shock load, or continuous vibration is present.
- D. Readjustment of internal operating clearance of bearing where extreme high or low temperature conditions exist.

Seal Speed Limit Table*

Size Code	B416	B420	B424	B428	B432	B436	B440	B448	B456	B464	B572	B580	
Bearing Series	B22400	B22416	B22419 B22420	B22423 B22424	B224B24 B22426 B22427 B22428	B224B28 B22431 B22432	B22435 B22436	B224B36 B22439 B22440	B22443 B22444 B22447 B22448	B22451 B22455 B22456	B22459 B22463 B22464		
	B22500			B22523	B22527	B22531	B22532 B22535	B22539	B22543 B22547	B22555	B22563 B22564	B22567 B22571 B22572	B22579 B22580
	B22600			B22623	B22627	B22631	B22635	B22639	B22643 B22647	B22655	B22663		
(RPM)	H	4500	4000	3600	3100	2800	2500	2300	1950	1650	1400	1300	1200
	E	3500	3000	2750	2350	2150	1950	1750	1500	1250	1100	1000	900
	E7	N/A	2375	2175	1850	1675	1500	1350	1150	1000	850	775	650
Size Code	B416	B420	B424	B428	B432	B436	B440	B448	B456	B464	B572	B580	

Refer to Seal Rating Guide shown above for speeds in excess of those listed in this table.

*Actual bearing speed limits are largely based upon the applied load and can be found on the Load Rating Table.

Link-Belt Series B22400, B22500 & B22600 Spherical Roller Bearing Selection Guide

To select a bearing, determine the applied radial load, the applied thrust load, the desired Rating Life, and applicable operating conditions. The procedure shown here will aid in selecting a bearing to meet an L₁₀ design life. The formulas for calculating life expectancy should be used to determine the Rating Life L₁₀ for the bearing selected.

The selection procedures and rating formulas shown here are in agreement with the American Bearing Manufacturers Association (ABMA) standards

and ANSI/ABMA Standards STD 11-1990. Ratings are based on fatigue life. The Rating Life L₁₀ or fatigue life at 90% reliability is the usual basis for bearing selection. For radial load applications only, Table 4, can be used to select a bearing or to determine L₁₀ life expectancy.

To assure a satisfactory bearing application, fitting practice, mounting, lubrication, sealing, static rating, housing strength, operating conditions and maintenance must be considered.

Steps for Selection

Step 1

Determine an appropriate L₁₀ design life.

Type of service	Operating time, hours per year	Design life, years	L ₁₀ design life, hours
Light seasonal usage	500 to 750	3-5	3,000
Heavy seasonal usage	1,400 to 1,600	4-6	8,000
Industrial—8 hour shift	2,000	10	20,000
Industrial—16 hour shift	4,000	10	40,000
Industrial—continuous	8,700	10	80,000 to 100,000

Step 2

Determine a required $\left(\frac{C}{P}\right)$ from Table 1.

Step 3

Calculate the required C and select a roller bearing.

a For radial load only:

$$P = F_r$$

$$\text{required } C = \left(\frac{C}{P}\right) P \text{ using } \left(\frac{C}{P}\right) \text{ from Step 2}$$

Select a roller bearing from Table 2 with a basic load rating C equal to or greater than the required C.

Step 3 (continued)

b For combined radial and thrust loads:

Select a trial roller bearing of the desired shaft size from Table 2.

Calculate the ratio of thrust load F_a to the radial load F_r .

$$\frac{F_a}{F_r}$$

Calculate the equivalent radial load P

$$P = X F_r + Y F_a$$

If $\frac{F_a}{F_r}$ is equal to or less than e, then $P = X_1 F_r + Y_1 F_a$

If $\frac{F_a}{F_r}$ is greater than e, then $P = X_2 F_r + Y_2 F_a$

For values of e, X₁, Y₁, X₂, and Y₂, see Table 2.

Calculate the required C

$$\text{required } C = \left(\frac{C}{P}\right) P \text{ using } \left(\frac{C}{P}\right) \text{ from Step 2.}$$

Consult Table 2, basic load rating. If a smaller bearing meets, or nearly meets, the required C, its life expectancy can be calculated.

Note: If the load P is greater than .25C, consult Rexnord Bearing Division.

Selection

Symbols for formulas:

C = basic load rating, pounds (or newtons)	n = speed, revolutions per minute
Co = static load rating, pounds (or newtons)	P = equivalent radial load, pounds (or newtons)
e = a reference value	X = radial factor
Fa = thrust load, pounds (or newtons)	Y = thrust factor
Fr = radial load, pounds (or newtons)	
L ₁₀ = rating life, hours	

Table 1 • Relation of L₁₀ life and speed to $\left(\frac{C}{P}\right)$

Bearing Life Hours L ₁₀	Speed, n									
	50	100	200	300	400	500	600	700	800	
3000	1.93	2.38	2.93	3.31	3.61	3.86	4.07	4.27	4.44	
4000	2.11	2.59	3.19	3.61	3.93	4.20	4.44	4.65	4.84	
5000	2.25	2.77	3.42	3.86	4.20	4.50	4.75	4.97	5.18	
6000	2.38	2.93	3.61	4.07	4.44	4.75	5.02	5.25	5.47	
8000	2.59	3.19	3.93	4.44	4.84	5.18	5.47	5.73	5.96	
10000	2.77	3.42	4.20	4.75	5.18	5.54	5.85	6.12	6.37	
12000	2.93	3.61	4.44	5.02	5.47	5.85	6.18	6.47	6.73	
14000	3.07	3.78	4.65	5.25	5.73	6.12	6.47	6.77	7.05	
16000	3.19	3.93	4.84	5.47	5.96	6.37	6.73	7.05	7.34	
18000	3.31	4.07	5.02	5.66	6.18	6.60	6.97	7.30	7.60	
20000	3.42	4.20	5.18	5.85	6.37	6.81	7.20	7.54	7.85	
25000	3.65	4.50	5.54	6.25	6.81	7.29	7.70	8.06	8.39	
30000	3.86	4.75	5.85	6.60	7.20	7.70	8.13	8.51	8.86	
35000	4.04	4.97	6.12	6.92	7.54	8.06	8.51	8.92	9.28	
40000	4.20	5.18	6.37	7.20	7.85	8.39	8.86	9.28	9.66	
45000	4.36	5.36	6.60	7.46	8.13	8.69	9.18	9.61	10.00	
50000	4.50	5.54	6.81	7.70	8.39	8.97	9.48	9.92	10.30	
60000	4.75	5.85	7.20	8.13	8.86	9.48	10.00	10.50	10.90	
70000	4.97	6.12	7.54	8.51	9.28	9.92	10.50	11.00	11.40	
80000	5.18	6.37	7.85	8.86	9.66	10.30	10.90	11.40	11.90	
90000	5.36	6.60	8.13	9.18	10.00	10.70	11.30	11.80	12.30	
100000	5.54	6.81	8.39	9.48	10.30	11.00	11.70	12.20	12.70	
150000	6.25	7.70	9.48	10.70	11.70	12.50	13.20	13.80	14.40	
200000	6.81	8.39	10.30	11.70	12.70	13.60	14.40	15.00	15.70	

	Speed, n									
	900	1000	1200	1500	1800	2400	3000	3600	6000	
3000	4.60	4.75	5.02	5.36	5.66	6.18	6.60	6.97	8.13	
4000	5.02	5.18	5.47	5.85	6.18	6.73	7.20	7.60	8.86	
5000	5.36	5.54	5.85	6.25	6.60	7.20	7.70	8.13	9.48	
6000	5.66	5.85	6.18	6.60	6.97	7.60	8.13	8.59	10.00	
8000	6.18	6.37	6.73	7.20	7.60	8.29	8.86	9.36	10.90	
10000	6.60	6.81	7.20	7.70	8.13	8.86	9.48	10.00	11.70	
12000	6.97	7.20	7.60	8.13	8.59	9.36	10.00	10.60	12.30	
14000	7.30	7.54	7.96	8.51	8.99	9.80	10.50	11.10	12.90	
16000	7.60	7.85	8.29	8.86	9.36	10.20	10.90	11.50	13.40	
18000	7.88	8.13	8.59	9.18	9.70	10.60	11.30	11.90	13.90	
20000	8.13	8.39	8.86	9.48	10.00	10.90	11.70	12.30	14.40	
25000	8.69	8.97	9.48	10.10	10.70	11.70	12.50	13.20	15.40	
30000	9.18	9.48	10.00	10.70	11.30	12.30	13.20	13.90	16.20	
35000	9.61	9.92	10.50	11.20	11.80	12.90	13.80	14.60	17.00	
40000	10.00	10.30	10.90	11.70	12.30	13.40	14.40	15.20	17.70	
45000	10.40	10.70	11.30	12.10	12.80	13.90	14.90	15.70	18.30	
50000	10.70	11.00	11.70	12.50	13.20	14.40	15.40	16.20	18.90	
60000	11.30	11.70	12.30	13.20	13.90	15.20	16.20	17.10	20.00	
70000	11.80	12.20	12.90	13.80	14.60	15.90	17.00	17.90	20.90	
80000	12.30	12.70	13.40	14.40	15.20	16.50	17.70	18.70	21.80	
90000	12.80	13.20	13.90	14.90	15.70	17.10	18.30	19.40	22.60	
100000	13.20	13.60	14.40	15.40	16.20	17.70	18.90	20.00	23.30	
150000	14.90	15.40	16.20	17.30	18.30	20.00	21.40	22.60	26.30	
200000	16.20	16.70	17.70	18.90	20.00	21.80	23.30	24.60	28.70	

Basic Formula

$$\left(\frac{C}{P}\right) = \left(\frac{L_{10} \times n \times 60}{1,000,000}\right)^{3/10}$$

$$L_{10} = \frac{\left(\frac{C}{P}\right)^{10/3} \times 1,000,000}{n \times 60}$$

Life Expectancy

To calculate the Rating Life L₁₀ of any selected or trial bearing:

Step 1

Determine the equivalent radial load P.

a For radial load only:

$$P = Fr$$

b For combined radial and thrust load:

$$P = XFr + YFa$$

if $\frac{Fa}{Fr}$ is equal to or less than e, then

$$P = X1Fr + Y1Fa$$

if $\frac{Fa}{Fr}$ is greater than e, then

$$P = X2Fr + Y2Fa$$

For values of e, X1, Y1, X2, and Y2, consult the appropriate bearing rating Table 2.

Step 2

Calculate the ratio of the basic load rating C to the equivalent radial load.

$$\left(\frac{C}{P}\right)$$

Step 3

Approximate the bearing life from Table 1.

Life Adjustment

The Rating Life, L₁₀, may be modified for some applications in accordance with the formula

$$Ln = a1a2a3L_{10}$$

where Ln = Adjusted life for (100-n) % reliability,

a₁ = Life adjustment factor for reliability

a₂ = Life adjustment factor

for material and processing

a₃ = Life adjustment factor for operating conditions.

For most normal applications, all factors will be taken as 1, and the Rating Life used as the selection basis or life estimate. In addition, as long as standard catalog bearings are used, a₂ will be normally set equal to one.

The factor a₃ covers such things as lubrication, misalignment, and temperature. Some conditions that could yield a₃ significantly different than unity include speeds less than 20000 DN or greater than 200000 DN, temperatures below -40°F (-40°C) or above 275°F (135°C). For other possible conditions, as well as additional information on life adjustment factors, consult Rexnord Bearing Division.

Table 2 • Load Ratings and Speed Limits

Size Code	Co Static Load Rating		C Basic Load Rating		Approximate Speed Limit RPM*			e	Fa/Fr ≤ e		Fa/Fr > e	
	newtons	pounds	newtons	pounds	H seal	E seal	E7 seal		X1	Y1	X2	Y2
B416	66279	14900	62720	14100	4500	3500	---	0.51	1.00	1.32	0.67	1.96
B420	81402	18300	75175	16900	4000	3000	1700	0.48	1.00	1.40	0.67	2.08
B424 B524 B624	92968	20900	79178	17800	3600	2750	1575	0.44	1.00	1.54	0.67	2.29
B428 B528	127664	28700	109871	24700	3100	2350	1325	0.45	1.00	1.51	0.67	2.25
B432 B531 B631	147681	33200	115209	25900	2800	2150	1225	0.40	1.00	1.68	0.67	2.50
B436 B536 B635	197501	44400	144567	32500	2500	1950	1075	0.40	1.00	1.68	0.67	2.50
B440 B540 B639	237980	53500	170367	38300	2300	1750	975	0.38	1.00	1.80	0.67	2.68
B448 B548 B647	318048	71500	227304	51100	1950	1500	850	0.38	1.00	1.79	0.67	2.67
B456 B556 B655	403454	90700	277124	62300	1650	1250	725	0.38	1.00	1.77	0.67	2.64
B464 B564 B663	609406	137000	429253	96500	1400	1100	625	0.36	1.00	1.88	0.67	2.79
B572	708602	159300	486635	109400	1300	1000	550	0.38	1.00	1.80	0.67	2.68
B580	1076025	241900	739294	166200	1200	900	525	0.37	1.00	1.83	0.67	2.72

If the load P is greater than .25C, consult Rexnord Bearing Division.

For B22400 Series, reduce C Basic Load rating by 15%.

For B22500 Series, reduce C Basic Load rating by 5%.

For vertical shift application, consult Rexnord Bearing Division.

*Based on grease lubrication and moderate load.

Table 3 • Size Code Interchange Table

Shaft Size	B22400 Series Single Set Collar	B22500 Series Double Set Collar	B22600 Series Tapered Adapter	Size Code
	Bearing Number	Bearing Number	Bearing Number	
1 25mm	B22416 B224M25			B416
1-3/16 1-1/4 30mm	B22419 B22420 B224M30			B420
1-7/16 1-1/2 35mm	B22423 B22424 B224M35	B22523	B22623	B424 B524 B624
1-1/2 1-5/8 1-11/16 1-3/4 40mm	B224B24 B22426 B22427 B22428 B224M40	B22527		B428 B528
1-3/4 1-15/16 2 45mm 50mm	B224B28 B22431 B22432 B224M45 B224M50	B22531	B22631	B432 B531 B631
2 2-3/16 2-1/4 55mm	B22435 B22436 B224M55	B22532 B22535	B22635	B436 B536 B635
2-1/4 2-7/16 2-1/2 60mm	B224B36 B22439 B22440 B224M60	B22539	B22639	B440 B540 B639
2-11/16 2-3/4 2-15/16 3 65mm 70mm 75mm	B22443 B22444 B22447 B22448 B224M65 B224M70 B224M75	B22543 B22547	B22643 B22647	B448 B548 B647
3-3/16 3-7/16 3-1/2 80mm 85mm	B22451 B22455 B22456 B224M80 B224M85	B22555	B22655	B456 B556 B655
3-11/16 3-15/16 4 90mm 100mm	B22459 B22463 B22464 B224M90 B224M100	B22559 B22563 B22564	B22663	B464 B564 B663
4-3/16 4-7/16 4-1/2 110mm 115mm		B22567 B22571 B22572 B225M110 B225M115		B572
4-15/16 5 125mm		B22579 B22580 B225M125		B580

Table 4 • Radial Load Ratings in Pounds at Various RPM for Appropriate L₁₀ Life Hours

Size Code	L ₁₀ Lifehours	50	100	200	300	400	500	600	700	800	900	1000	1200	1500	1800	2000	2500	3000	3500	
B416	8000	*	*	*	3175	2912	2724	2579	2462	2365	2283	2212	2095	1959	1855	1797	1681	1591	1519	
	20000	*	3353	2724	2412	2212	2069	1959	1870	1797	1735	1681	1591	1488	1409	1365	1277	1209	1154	
	40000	3353	2724	2212	1959	1797	1681	1591	1519	1460	1409	1365	1292	1209	1144	1109	1037	982	937	
	100000	2547	2069	1681	1488	1365	1277	1209	1154	1109	1070	1037	982	918	869	842	788	746	712	
B420	8000	*	*	*	3805	3491	3265	3091	2951	2835	2737	2652	2510	2348	2223	2154	2014	1907	1821	
	20000	*	4019	3265	2891	2652	2480	2348	2242	2154	2079	2014	1907	1784	1689	1636	1530	1449	1383	
	40000	4019	3265	2652	2348	2154	2014	1907	1821	1749	1689	1636	1549	1449	1372	1329	1243	1177	1124	
	100000	3053	2480	2014	1784	1636	1530	1449	1383	1329	1283	1243	1177	1101	1042	1010	944	894	854	
B424	8000	*	*	*	4008	3676	3438	3255	3108	2986	2883	2793	2644	2473	2341	2268	2122	2009	1918	
B524	20000	*	4233	3438	3045	2793	2612	2473	2361	2268	2190	2122	2009	1879	1779	1723	1612	1526	1457	
B624	40000	4233	3438	2793	2473	2268	2122	2009	1918	1843	1779	1723	1632	1526	1445	1400	1309	1239	1183	
	100000	3216	2612	2122	1879	1723	1612	1526	1457	1400	1351	1309	1239	1159	1097	1063	994	942	899	
B428	8000	*	*	*	5561	5102	4771	4517	4313	4144	4000	3875	3669	3432	3249	3148	2944	2787	2661	
	20000	*	5874	4771	4225	3875	3625	3432	3277	3148	3039	2944	2787	2607	2468	2391	2236	2117	2022	
	40000	5874	4771	3875	3432	3148	2944	2787	2661	2557	2468	2391	2264	2117	2005	1942	1817	1720	1642	
	100000	4462	3625	2944	2607	2391	2236	2117	2022	1942	1875	1817	1720	1609	1523	1476	1380	1307	1247	
B432	8000	*	*	*	5832	5349	5003	4737	4523	4345	4194	4064	3847	3598	3407	3301	3087	2923	2791	
	B531	20000	*	6159	5003	4430	4064	3801	3598	3436	3301	3186	3087	2923	2733	2588	2507	2345	2220	2120
	B631	40000	6159	5003	4064	3598	3301	3087	2923	2791	2681	2588	2507	2374	2220	2102	2037	1905	1803	1722
		100000	4679	3801	3087	2733	2507	2345	2220	2120	2037	1966	1905	1803	1687	1597	1547	1447	1370	1308
B436	8000	*	*	*	7318	6713	6278	5944	5675	5452	5263	5099	4828	4515	4275	4142	3874	3668	3502	
	B536	20000	*	7729	6278	5559	5099	4769	4515	4311	4142	3998	3874	3668	3430	3247	3146	2943	2786	2660
	B635	40000	7729	6278	5099	4515	4142	3874	3668	3502	3364	3247	3146	2979	2786	2638	2556	2390	2263	2161
		100000	5871	4769	3874	3430	3146	2943	2786	2660	2556	2467	2390	2263	2116	2004	1941	1816	1719	1641
B440	8000	*	*	*	8624	7911	7398	7005	6688	6425	6202	6009	5689	5321	5038	4881	4565	4322		
	B540	20000	*	9108	7398	6551	6009	5620	5321	5081	4881	4712	4565	4322	4042	3827	3708	3468	3283	
	B639	40000	9108	7398	6009	5321	4881	4565	4322	4127	3965	3827	3708	3511	3283	3109	3012	2817	2667	
		100000	6919	5620	4565	4042	3708	3468	3283	3135	3012	2907	2817	2667	2494	2361	2288	2140	2026	
B448	8000	*	*	*	11506	10554	9871	9346	8923	8573	8275	8018	7591	7099	6722	6512	6091			
	B548	20000	*	12153	9871	8740	8018	7499	7099	6779	6512	6286	6091	5766	5393	5106	4947	4627		
	B647	40000	12153	9871	8018	7099	6512	6091	5766	5506	5290	5106	4947	4684	4381	4147	4018	3758		
		100000	9232	7499	6091	5393	4947	4627	4381	4183	4018	3879	3758	3558	3328	3151	3053	2855		
B456	8000	*	*	*	14027	12868	12034	11394	10879	10452	10089	9775	9255	8655	8195	7940	7426			
	B556	20000	*	14816	12034	10656	9775	9142	8655	8264	7940	7664	7426	7030	6575	6225	6031	5641		
	B655	40000	14816	12034	9775	8655	7940	7426	7030	6713	6449	6225	6031	5710	5341	5056	4899	4582		
		100000	11255	9142	7426	6575	6031	5641	5341	5099	4899	4729	4582	4338	4057	3841	3722	3481		
B464	8000	*	*	*	21728	19931	18641	17649	16851	16189	15627	15141	14335	13407	12693	12298				
	B564	20000	*	22949	18641	16506	15141	14161	13407	12801	12298	11871	11502	10890	10185	9643	9343			
	B663	40000	22949	18641	15141	13407	12298	11502	10890	10398	9989	9643	9343	8845	8272	7832	7588			
		100000	17434	14161	11502	10185	9343	8738	8272	7899	7588	7325	7097	6719	6284	5950	5765			
B572	8000	*	*	*	42870	39326	36779	34822	33248	31942	30833	29874	28284	26453	25045					
	20000	*	45281	36779	32567	29874	27940	26453	25257	24265	23423	22694	21486	20095	19025					
	40000	45281	36779	29874	26453	24265	22694	21486	20515	19710	19025	18433	17452	16322	15453					
	100000	34398	27940	22694	20095	18433	17240	16322	15584	14973	14453	14003	13258	12399	11739					
B580	8000	*	*	*	37422	34327	32105	30396	29022	27882	26914	26077	24689	23090						
	20000	*	39525	32105	28428	26077	24389	23090	22047	21181	20446	19810	18755	17541						
	40000	39525	32105	26077	23090	21181	19810	18755	17908	17204	16607	16090	15234	14248						
	100000	30026	24389	19810	17541	16090	15049	14248	13604	13069	12616	12223	11573	10823						

* Load exceeds 25% of the C rating, consult Rexnord Bearing Division.

PB22400, PEB22400

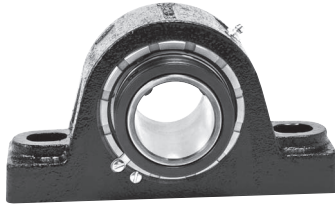
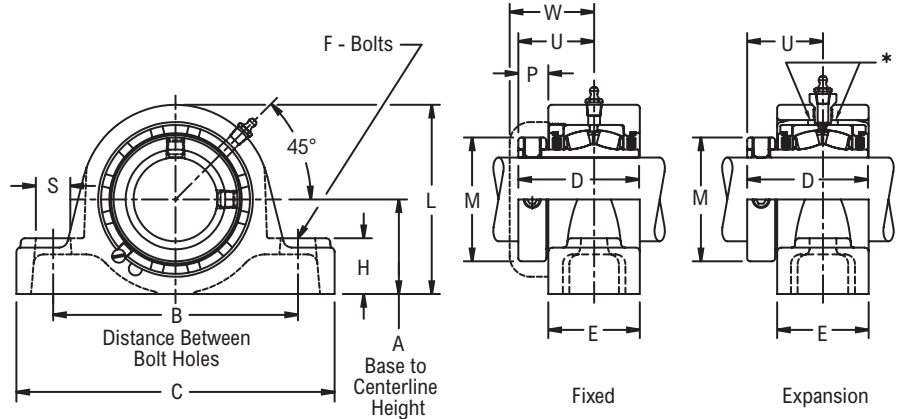


Photo Shows a 2-Bolt Spherical Roller Bearing Pillow Block Unit

Product Features

- Corrosion-resistant powder coating
- Cast iron housing
- Misalignment capabilities - total of 4°
- Broad range of sealing options
- Factory set clearance & lubrication
- Hardened spring locking collar
- Field interchangeable seals
- Fixed or Expansion - total of 3/8" expansion
- See Features & Benefits for additional info.



Bearing Dimensions

Size Code	Shaft Diameter	Expansion			Fixed			A Base to Centerline Height	B Distance Between Bolt Holes	C	D	E	F	H	M	P	U	W	Approx. Weight		
		Part Number	L	S	Part Number	L	S														
B416	1	PEB22416H	3 5/16	5/8	PB22416H	3 1/8	5/8	1 9/16	4 3/8	5 15/16	2 9/16	2 1/16	3/8	7/8	1 3/4	17/32	1 9/16	1 29/32	5.00		
	25.00	PEB224M25H	84.10	15.90	PB224M25H	79.40	15.90	39.67	111.10	150.80	65.09	52.40	10.00	22.20	44.40	13.50	39.70	48.40	2.10		
B420	1 3/16	PEB22419H	3 5/8	5/8	PEB22419H	3 1/2	5/8	1 3/4	4 3/4	6 5/16	2 11/16	2 3/16	3/8	1 1/16	1 31/32	17/32	1 5/8	1 31/32	6.00		
	1 1/4	PEB22420H			PB22420H															30.00	PEB224M30H
B424	1 7/16	PEB22423H	3 7/8	7/8	PEB22423H	3 11/16	13/16	1 7/8	5	6 9/16	2 7/8	2 1/4	1/2	1 3/16	2 5/16	21/32	1 25/32	2 3/16	7.00		
	1 1/2	PEB22424H			PB22424H															35.00	PEB224M35H
B428	1 5/8	PEB22426H	4 3/8	7/8	PEB22426H	4 1/4	13/16	2 1/8	5 1/2	7 1/8	3 1/8	2 1/2	1/2	1 5/16	2 19/32	21/32	1 29/32	2 1/4	10.00		
	1 11/16	PEB22427H			PB22427H															40.00	PEB224M40H
B432	1 15/16	PEB22431H	4 9/16	15/16	PEB22431H	4 9/16	15/16	2 1/4	6 1/4	8 1/8	3 1/8	2 1/2	5/8	1 3/8	2 7/8	21/32	1 29/32	2 9/32	12.00		
	2	PEB22432H			PB22432H															45.00	PEB224M45H
B436	2 3/16	PEB22435H	5	15/16	PEB22435H	5	15/16	2 1/2	6 3/4	8 5/8	3 5/16	2 9/16	5/8	1 5/8	3 1/4	25/32	2 1/16	2 7/16	14.00		
	2 1/4	PEB22436H			PB22436H															55.00	PEB224M55H
B440	2 7/16	PEB22439H	5 1/2	15/16	PEB22439H	5 1/2	15/16	2 3/4	7 1/8	9 1/8	3 1/2	2 11/16	5/8	1 5/8	3 9/16	27/32	2 3/16	2 9/16	17.00		
	2 1/2	PEB22440H			PB22440H															60.00	PEB224M60H
B448	2 11/16	PEB22443H	6 7/16	1 1/16	PEB22443H	6 7/16	1 1/16	3 1/4	8 1/8	10 7/16	4	3 3/16	3/4	2	4 1/16	27/32	2 7/16	2 25/32	29.00		
	2 3/4	PEB22444H			PB22444H															75.00	PEB224M75H
B456	3 3/16	PEB22451H	7 1/2	1 5/8	PEB22451H	7 1/2	1 5/8	3 3/4	10	13	4 3/8	3 7/16	7/8	2 1/4	4 29/32	15/16	2 21/32	3	43.00		
	3 7/16	PEB22455H			PB22455H															80.00	PEB224M80H
	3 1/2	PEB22456H			PB22456H														41.00		
	80.00	PEB224M85H	190.50	41.30	PB224M85H	190.50	41.30	95.25	254.00	330.20	111.12	87.30	24.00	57.20	124.60	23.80	67.50	76.20	19.10		

Continued...

Continued...

Bearing Dimensions

Size Code	Shaft Diameter	Expansion			Fixed			A Base to Centerline Height	B Distance Between Bolt Holes	C	D	E	F	H	M	P	U	W	Approx. Weight
		Part Number	L	S	Part Number	L	S												
B464	3 11/16	PEB22459H	8 1/2	2 1/4	PB22459H	8 1/2	2 1/4	4 1/4	11 3/4	15 1/4	5 1/16	4 3/16	1	2 5/8	5 5/8	1 1/16	3 1/16	3 7/16	61.00
	3 15/16	PEB22463H			PB22463H														59.00
	4	PEB22464H	PB22464H																
	90.00	<i>PEB224M90H</i>	215.90	57.20	<i>PB224M90H</i>	215.90	57.20												107.95
100.00	<i>PEB224M100H</i>			<i>PB224M100H</i>															26.90
B464L	3 15/16	-	-	-	PLB22463H	8 3/8	1 7/8	4 1/8	10 7/8	14 1/4	5 1/16	4 3/16	1	2 1/2	5 5/8	1 1/16	3 1/16	3 7/16	58.00
	4	-	-	-	PLB22464H														

Additional Notes

Please call 1-866-REXNORD for availability
 Lubrication fitting tap size, 1/8" PT
 Base to centerline tolerance, +/- .005" (+/- 0.13mm)
 Expansion - is 3/8" for all size codes
 H labyrinth seals standard
 All size codes available with type E lip seals, except E7 in size code B416
 For the Selection Guide, Load Ratings and Speed Limits, see the Link-Belt Spherical Roller Bearings Engineering section

Note: Dimensions subject to change. Certified dimensions of ordered material furnished on request.

PB22400F, PEB22400F

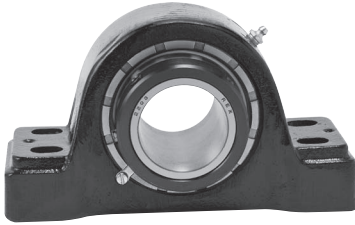
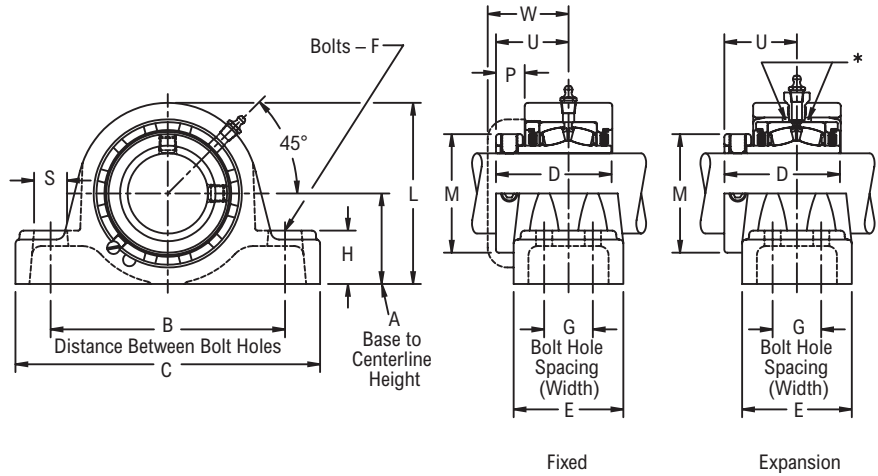


Photo Shows a 4-Bolt Spherical Roller Bearing Pillow Block Unit

Product Features

- Corrosion-resistant powder coating
- Cast iron housing
- Misalignment capabilities - total of 4°
- Broad range of sealing options
- Factory set clearance & lubrication
- Hardened spring locking collar
- Field interchangeable seals
- Fixed or Expansion - total of 3/8" expansion
- See Features & Benefits for additional info.



Bearing Dimensions

Size Code	Shaft Diameter	Expansion		Fixed		A Base to Centerline Height	B Distance Between Bolt Holes	G Bolt Hole Spacing (Width)	C	D	E	F	H	L	M	P	S	U	W	Approx. Weight
		Part Number	Part Number																	
B432	1 15/16	PEB22431FH	PB22431FH	2 1/4	6 1/4	1 19/32	8 3/8	3 1/8	3 3/16	1/2	1 3/8	4 9/16	2 7/8	2 1/32	13 1/16	1 29/32	2 9/32	13.00		
	2	PEB22432FH	PB22432FH																6.30	
	50.00	PEB224M45FH	PB224M45FH	57.15	158.80	40.50	212.70	79.38	81.00	12.00	34.90	115.90	73.00	16.70	20.60	48.40	57.90	5.90		
B436	2 3/16	PEB22435FH	PB22435FH	2 1/2	6 3/4	1 11/16	8 7/8	3 5/16	3 1/4	1/2	1 5/8	5	3 1/4	2 5/32	13 1/16	2 1/16	2 7/16	15.00		
	2 1/4	PEB22436FH	PB22436FH																	
	55.00	PEB224M55FH	PB224M55FH	63.50	171.40	42.90	225.40	84.14	82.60	12.00	41.30	127.00	82.60	19.80	20.60	52.40	61.90	6.90		
B440	2 7/16	PEB22439FH	PB22439FH	2 3/4	7 1/8	1 3/4	9 1/4	3 1/2	3 3/8	1/2	1 3/4	5 1/2	3 9/16	2 7/32	13 1/16	2 3/16	2 9/16	19.00		
	2 1/2	PEB22440FH	PB22440FH																	
	60.00	PEB224M60FH	PB224M60FH	69.85	181.00	44.40	235.00	88.90	85.70	12.00	44.40	139.70	90.50	21.40	20.60	55.60	65.10	8.60		
B448	2 11/16	PEB22443FH	PB22443FH																30.00	
	2 3/4	PEB22444FH	PB22444FH																29.00	
	2 15/16	PEB22447FH	PB22447FH	3 1/4	8 1/8	1 7/8	10 7/16	4	3 3/4	5/8	2 1/4	6 7/16	4 1/16	2 7/32	15 1/16	2 7/16	2 25/32	28.00		
	3	PEB22448FH	PB22448FH																13.70	
	65.00	PEB224M65FH	PB224M65FH	82.55	206.40	47.60	265.10	101.60	95.20	16.00	57.20	163.50	103.20	21.40	23.80	61.90	70.60	13.50		
	70.00	PEB224M70FH	PB224M70FH																13.00	
B456	3 3/16	PEB22451FH	PB22451FH																45.00	
	3 7/16	PEB22455FH	PB22455FH	3 3/4	10	2	13	4 3/8	4 1/8	3/4	2 1/4	7 1/2	4 29/32	15 1/16	1 1/2	2 21/32	3	43.00		
	3 1/2	PEB22456FH	PB22456FH																	
	80.00	PEB224M80FH	PB224M80FH	95.25	254.00	50.80	330.20	111.12	104.80	20.00	57.20	190.50	124.60	23.80	38.10	67.50	76.20	20.50		
85.00	PEB224M85FH	PB224M85FH																20.00		
B464	3 11/16	PEB22459FH	PB22459FH																69.00	
	3 15/16	PEB22463FH	PB22463FH	4 1/4	12 1/2	2 1/4	15 1/4	5 1/16	4 1/2	3/4	2 5/8	8 1/2	5 5/8	1 1/16	1 1/4	3 1/16	3 7/16	67.00		
	4	PEB22464FH	PB22464FH																66.00	
	90.00	PEB224M90FH	PB224M90FH	107.95	317.50	57.20	387.40	128.59	114.30	20.00	66.70	215.90	142.90	27.00	31.80	77.80	87.30	32.10		
	100.00	PEB224M100FH	PB224M100FH																30.30	

Additional Notes

- Please call 1-866-REXNORD for availability
- Lubrication fitting tap size, 1/8" PT
- Base to centerline tolerance, +/- .005" (+/- 0.13mm)
- Expansion - is 3/8" for all size codes
- H labyrinth seals standard
- All size codes available with type E lip seals & E7 triple lip seals
- For the Selection Guide, Load Ratings and Speed Limits, see the Link-Belt Spherical Roller Bearings Engineering section

Note: Dimensions subject to change. Certified dimensions of ordered material furnished on request.

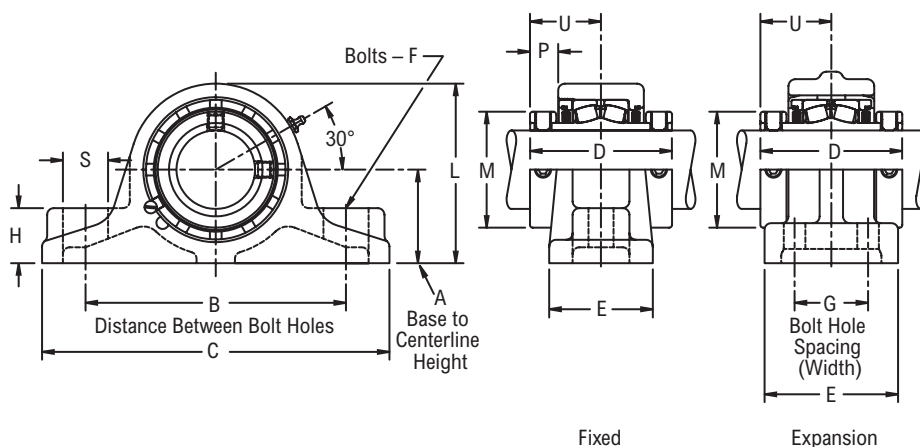
PB22500, PEB22500, PB22500F, PEB22500F



Photo Shows a 4-Bolt Spherical Roller Bearing Pillow Block Unit

Product Features

- Corrosion-resistant powder coating
- Cast iron housing
- Misalignment capabilities - total of 4°
- Broad range of sealing options
- Factory set clearance & lubrication
- Two hardened spring locking collars
- Field interchangeable seals
- Fixed or Expansion - total of 3/8" expansion
- See Features & Benefits for additional info.



Bearing Dimensions

Size Code	Shaft Diameter	Expansion		Fixed		A Base to Centerline Height	B Distance Between Bolt Holes	G Bolt Hole Spacing (Width)	C	D	E	F	H	M	P	S	U	Approx. Weight
		Part Number	L	Part Number	L													
Two-Bolt Pillow Block																		
B524	1 7/16	PEB22523H	4 11/32	PB22523H	3 31/32	2 1/8	5 7/8	-	8 1/8	3 9/16	2 7/16	1/2	1 1/8	2 5/16	11/16	1 1/8	1 25/32	10.00
B528	1 11/16	PEB22527H	4 13/16	PB22527H	4 7/16	2 5/16	6 1/2	-	9	3 13/16	2 13/16	1/2	1 5/16	2 19/32	23/32	1 1/4	1 29/32	12.00
B531	1 15/16	PEB22531H	4 15/16	PB22531H	4 3/4	2 1/2	7	-	9 3/4	3 13/16	2 7/8	5/8	1 7/16	2 7/8	23/32	1 1/4	1 29/32	14.00
B536	2	PEB22532H	5 23/32	PB22532H	5 1/4	2 3/4	7 1/2	-	10 1/4	4 1/8	3 1/8	5/8	1 5/8	3 1/4	25/32	1 1/4	2 1/16	21.00
	2 3/16	PEB22535H		PB22535H														20.00
B540	2 7/16	PEB22539H	6 3/16	PB22539H	5 3/4	3	8 1/4	-	11 1/4	4 3/8	3 3/8	3/4	1 3/4	3 9/16	13/16	1 3/8	2 3/16	24.00
B548	2 11/16	PEB22543H	7 3/16	PB22543H	6 23/32	3 1/2	9 3/4	-	13	4 7/8	3 7/8	7/8	2 1/16	4 1/16	29/32	1 5/8	2 7/16	39.00
	2 15/16	PEB22547H		PB22547H														37.00
Four-Bolt Pillow Block																		
B531	1 15/16	PEB22531FH	4 7/8	PB22531FH	4 7/8	2 1/2	7	2 1/4	9	3 13/16	3 13/16	1/2	1 11/16	2 7/8	23/32	7/8	1 29/32	16.00
B536	2	PEB22532FH	5 15/32	PB22532FH	5 15/32	2 3/4	7 1/2	2 1/4	9 15/16	4 1/8	4	1/2	2	3 1/4	25/32	1 1/8	2 1/16	22.00
	2 3/16	PEB22535FH		PB22535FH														
B540	2 7/16	PEB22539FH	5 7/8	PB22539FH	5 7/8	3	8 5/8	2 5/8	10 5/8	4 3/8	4 3/8	1/2	2 1/8	3 9/16	13/16	1 1/8	2 3/16	26.00
B548	2 11/16	PEB22543FH	6 15/16	PB22543FH	6 15/16	3 1/2	9 3/4	2 3/4	12 5/8	4 7/8	4 3/4	5/8	2 5/16	4 1/16	29/32	1 1/2	2 7/16	38.00
	2 15/16	PEB22547FH		PB22547FH														36.00
B556	3 7/16	PEB22555FH	8	PB22555FH	8	4	11 1/2	3	14 1/4	5 5/16	5	3/4	2 1/2	4 29/32	15/16	1 1/2	2 21/32	56.00
B564	3 15/16	PEB22563FH	8 13/16	PB22563FH	8 13/16	4 7/16	12 1/4	3 3/8	15 5/8	6 1/8	5 5/8	7/8	2 7/8	5 5/8	1 1/16	1 13/16	3 1/16	76.00
	4	PEB22564FH		PB22564FH														
B572	4 3/16	PEB22567YFH	9 3/8	PB22567YFH	9 3/8	4 3/4	13 1/2	2 1/2	16 1/2	6 1/4	4 5/8	3/4	2 3/4	6 3/16	1	1 3/8	3 1/8	92.00
	4 7/16	PEB22571YFH		PB22571YFH														88.00
	4 1/2	PEB22572YFH		PB22572YFH														87.00
	110.00	PEB225M110YFH		PB225M110YFH														40.70
115.00	PEB225M115YFH	PB225M115YFH	39.50															
B580	4 15/16	PEB22579YFH	11 1/8	PB22579YFH	11 1/8	5 1/2	15 1/2	2 3/4	18 1/2	7 7/8	5 9/16	7/8	3	7 1/16	1 5/32	1 1/2	3 15/16	129.00
	5	PEB22580YFH		PB22580YFH														128.00
	125.00	PEB225M125YFH	282.57	PB225M125YFH	282.57	139.70	393.70	69.80	469.90	200.02	141.34	24.00	76.20	179.38	29.37	38.10	100.01	58.10

Additional Notes

- Please call 1-866-REXNORD for availability
- Lubrication fitting tap size, 1/8" PT
- Base to centerline tolerance, +/- .005" (+/- 0.13mm)
- Expansion - is 3/8" for all size codes
- H labyrinth seals standard
- All size codes available with type E lip seals & E7 triple lip seals
- For the Selection Guide, Load Ratings and Speed Limits, see the Link-Belt Spherical Roller Bearings Engineering section

Note: Dimensions subject to change. Certified dimensions of ordered material furnished on request.

PB22600, PEB22600

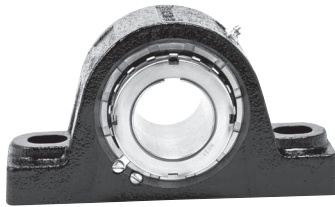
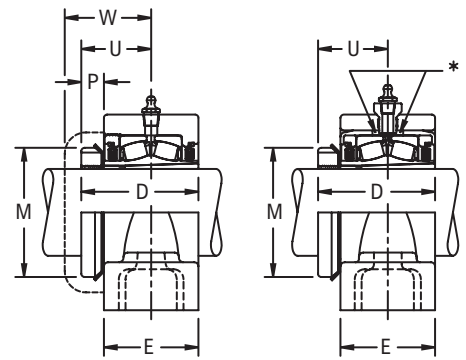
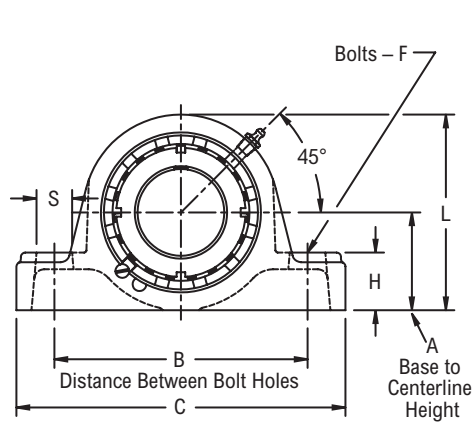


Photo Shows a 2-Bolt Spherical Roller Bearing Pillow Block Unit

Product Features

- Corrosion-resistant powder coating
- Cast iron housing
- Misalignment capabilities - total of 4°
- Broad range of sealing options
- Factory set clearance & lubrication
- Enhanced life mounting style
- Field interchangeable seals
- Fixed or Expansion - total of 3/8" expansion
- See Features & Benefits for additional info.



Fixed

Expansion

Bearing Dimensions

Size Code	Shaft Diameter	Expansion			Fixed			A Base to Centerline Height	B Distance Between Bolt Holes	C	D	E	F	H	M	P	U	W	Approx. Weight
		Part Number	L	S	Part Number	L	S												
B624	1 7/16	PEB22623H	3 7/8	7/8	PB22623H	3 11/16	13/16	1 7/8	5	6 9/16	2.71	2 1/4	1/2	1 3/16	2 1/4	1/2	1 39/64	2 3/16	7.00
B631	1 15/16	PEB22631H	4 9/16	15/16	PB22631H	4 9/16	15/16	2 1/4	6 1/4	8 1/8	3.08	2 1/2	5/8	1 3/8	2 31/32	39/64	1 55/64	2 9/32	12.00
B635	2 3/16	PEB22635H	5	15/16	PB22635H	5	15/16	2 1/2	6 3/4	8 5/8	3.16	2 9/16	5/8	1 5/8	3 5/32	5/8	1 29/32	2 7/16	14.00
B639	2 7/16	PEB22639H	5 1/2	15/16	PB22639H	5 1/2	15/16	2 3/4	7 1/8	9 1/8	3.28	2 11/16	5/8	1 5/8	3 5/8	45/64	1 31/32	2 9/16	17.00
B647	2 11/16	PEB22643H	6 7/16	1 1/16	PB22643H	6 7/16	1 1/16	3 1/4	8 1/8	10 7/16	3.86	3 3/16	3/4	2	4 5/32	3/4	2 19/64	2 25/32	29.00
	2 15/16	PEB22647H			PB22647H														27.00
B655	3 7/16	PEB22655H	7 1/2	1 5/8	PB22655H	7 1/2	1 5/8	3 3/4	10	13	4.29	3 7/16	7/8	2 1/4	4 15/16	7/8	2 37/64	3	42.00
B663	3 15/16	PEB22663H	8 1/2	2 1/4	PB22663H	8 1/2	2 1/4	4 1/4	11 3/4	15 1/4	4.94	4 3/16	1	2 5/8	5 7/16	15/16	2 15/16	3 7/16	59.00

Additional Notes

- Please call 1-866-REXNORD for availability
- Lubrication fitting tap size, 1/8" PT
- Base to centerline tolerance, +/- .005" (+/- 0.13mm)
- Expansion - is 3/8" for all size codes
- Dimensions for "D", "P" & "U" based on unmounted condition
- H labyrinth seals standard
- All size codes available with type E lip seals & E7 triple lip seals

For the Selection Guide, Load Ratings and Speed Limits, see the Link-Belt Spherical Roller Bearings Engineering section
 Note: Dimensions subject to change. Certified dimensions of ordered material furnished on request.

PB22600F, PEB22600F

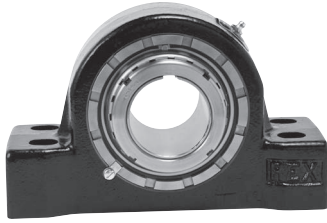
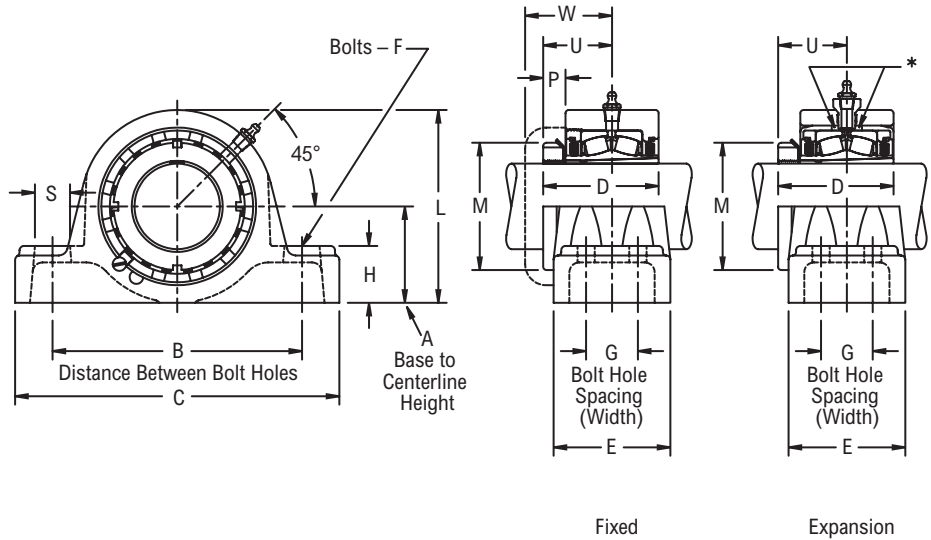


Photo Shows a 4-Bolt Spherical Roller Bearing Pillow Block Unit

Product Features

- Corrosion-resistant powder coating
- Cast iron housing
- Misalignment capabilities - total of 4°
- Broad range of sealing options
- Factory set clearance & lubrication
- Enhanced life mounting style
- Field interchangeable seals
- Fixed or Expansion - total of 3/8" expansion
- See Features & Benefits for additional info.



Bearing Dimensions

Size Code	Shaft Diameter	Expansion		Fixed		A Base to Centerline Height	B Distance Between Bolt Holes	G Bolt Hole Spacing (Width)	C	D	E	F	H	M	P	S	U	W	Approx. Weight
		Part Number	L	Part Number	L														
B631	1 15/16	PEB22631FH	4 9/16	PB22631FH	4 9/16	2 1/4	6 1/4	1 19/32	8 3/8	3.08	3 3/16	1/2	1 3/8	2 31/32	39/64	13/16	1 55/64	2 9/32	13.00
B635	2 3/16	PEB22635FH	5	PB22635FH	5	2 1/2	6 3/4	1 11/16	8 7/8	3.16	3 1/4	1/2	1 5/8	3 5/32	5/8	13/16	1 29/32	2 7/16	15.00
B639	2 7/16	PEB22639FH	5 1/2	PB22639FH	5 1/2	2 3/4	7 1/8	1 3/4	9 1/4	3.28	3 3/8	1/2	1 3/4	3 5/8	5/8	13/16	1 31/32	2 9/16	19.00
B647	2 11/16	PEB22643FH	6 7/16	PB22643FH	6 7/16	3 1/4	8 1/8	1 7/8	10 7/16	3.86	3 3/4	5/8	2 1/4	4 5/32	45/64	15/16	2 19/64	2 25/32	30.00
	2 15/16	PEB22647FH		PB22647FH															
B655	3 7/16	PEB22655FH	7 1/2	PB22655FH	7 1/2	3 3/4	10	2	13	4.29	4 1/8	3/4	2 1/4	4 15/16	56/64	1 1/2	2 37/64	3	43.00
B663	3 15/16	PEB22663FH	8 1/2	PB22663FH	8 1/2	4 1/4	12 1/2	2 1/4	15 1/4	4.94	4 1/2	3/4	2 5/8	5 7/16	15/16	1 1/4	2 15/16	3 7/16	67.00

Additional Notes

- Please call 1-866-REXNORD for availability
- Lubrication fitting tap size, 1/8" PT
- Base to centerline tolerance, +/- .005" (+/- 0.13mm)
- Expansion - is 3/8" for all size codes
- Dimensions for "D", "P" & "U" based on unmounted condition
- H labyrinth seals standard
- All size codes available with type E lip seals & E7 triple lip seals

For the Selection Guide, Load Ratings and Speed Limits, see the Link-Belt Spherical Roller Bearings Engineering section
 Note: Dimensions subject to change. Certified dimensions of ordered material furnished on request.

PKB22400, PKEB22400

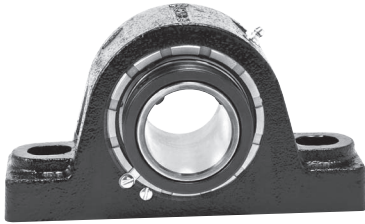
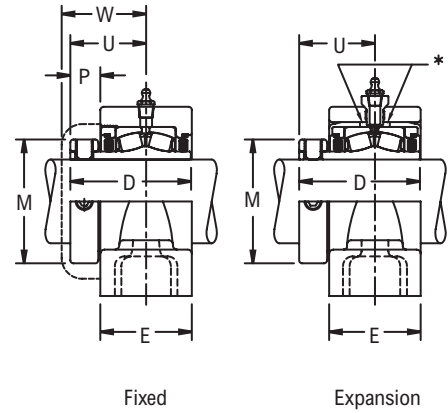
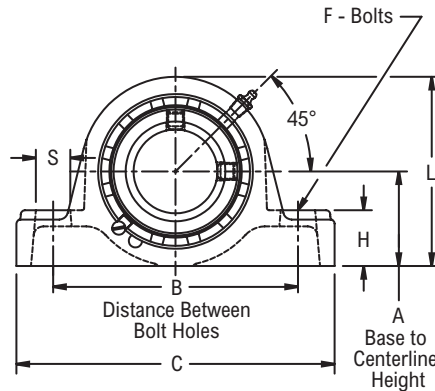


Photo Shows a 2-Bolt Spherical Roller Bearing Pillow Block Unit

Product Features

- Corrosion-resistant powder coating
- Cast steel housing
- Misalignment capabilities - total of 4°
- Broad range of sealing options
- Factory set clearance & lubrication
- Hardened spring locking collar
- Field interchangeable seals
- Fixed or Expansion - total of 3/8" expansion
- See Features & Benefits for additional info.



Bearing Dimensions

Size Code	Shaft Diameter	Expansion		Fixed		A Base to Centerline Height	B Distance Between Bolt Holes	C	D	E	F	H	M	P	S	U	W	Approx. Weight																
		Part Number	L	Part Number	L																													
B420	1 3/16	-	-	PKB22419H	3 1/2	1 3/4	4 3/4	6 5/16	2 11/16	2 3/16	3/8	1 1/16	1 31/32	17/32	5/8	1 5/8	1 31/32	7.00																
	1 1/4	-	-	PKB22420H																														
	30.00	-	-	PKB224M30H															88.90	44.45	120.60	160.30	68.26	55.60	10.00	27.00	50.00	13.50	15.90	41.30	50.00	3.20		
B424	1 7/16	PKEB22423H	3 7/8	PKB22423H	3 11/16	1 7/8	5	6 7/8	2 7/8	2 1/4	1/2	1 3/16	2 5/16	21/32	13/16	1 25/32	2 3/16	7.00																
	1 1/2	PKEB22424H		PKB22424H																														
	35.00	PKEB224M35H		98.40															PKB224M35H	93.70	47.62	127.00	174.60	73.02	57.20	12.00	30.20	58.70	16.70	20.60	45.20	55.60	3.40	
B428	1 5/8	PKEB22426H	4 3/8	PKB22426H	4 1/4	2 1/8	5 1/2	7 3/8	3 1/8	2 1/2	1/2	1 5/16	2 19/32	21/32	13/16	1 29/32	2 1/4	10.00																
	1 11/16	PKEB22427H		PKB22427H																														
	1 3/4	PKEB22428H		PKB22428H																														
40.00	PKEB224M40H	111.10	PKB224M40H	108.00	53.98	139.70	187.30	79.38	63.50	12.00	33.30	65.90	16.70	20.60	48.40	57.20	4.80																	
B432	1 15/16	PKEB22431H	4 9/16	PKB22431H	4 9/16	2 1/4	6 1/4	8 3/8	3 1/8	2 1/2	5/8	1 3/8	2 7/8	21/32	15/16	1 29/32	2 9/32	12.00																
	2	PKEB22432H		PKB22432H																														
	45.00	PKEB224M45H		115.90															PKB224M45H	115.90	57.15	158.80	212.70	79.38	63.50	16.00	34.90	73.00	16.70	23.80	48.40	57.90	5.80	
50.00	PKEB224M50H		PKB224M50H															5.50																
B436	2 3/16	PKEB22435H	5	PKB22435H	5	2 1/2	6 3/4	8 7/8	3 5/16	2 9/16	5/8	1 5/8	3 1/4	25/32	15/16	2 1/16	2 7/16	16.00																
	2 1/4	PKEB22436H		PKB22436H																														
	55.00	PKEB224M55H		127.00															PKB224M55H	127.00	63.50	171.40	225.40	84.14	65.10	16.00	41.30	82.60	19.80	23.80	52.40	61.90	7.10	
B440	2 7/16	PKEB22439H	5 1/2	PKB22439H	5 1/2	2 3/4	7 1/8	9 1/4	3 1/2	2 11/16	5/8	1 3/4	3 9/16	27/32	15/16	2 3/16	2 9/16	19.00																
	2 1/2	PKEB22440H		PKB22440H																														
	60.00	PKEB224M60H		139.70															PKB224M60H	139.70	69.85	181.00	235.00	88.90	68.30	16.00	44.40	90.50	21.40	23.80	55.60	65.10	8.60	
B448	2 11/16	PKEB22443H	6 7/16	PKB22443H	6 7/16	3 1/4	8 1/8	10 7/16	4	3 3/16	3/4	2 1/4	4 1/16	27/32	1 1/16	2 7/16	2 25/32	30.00																
	2 3/4	PKEB22444H		PKB22444H																														
	2 15/16	PKEB22447H		PKB22447H																														
	3	PKEB22448H		PKB22448H																														
	65.00	PKEB224M65H																	PKB224M65H															29.00
	70.00	PKEB224M70H		163.50															PKB224M70H	163.50	82.55	206.40	265.10	101.60	81.00	20.00	57.20	103.20	21.40	27.00	61.90	70.60	13.50	
75.00	PKEB224M75H		PKB224M75H														13.00																	
B456	3 3/16	PKEB22451H	7 1/2	PKB22451H	7 1/2	3 3/4	10	13	4 3/8	3 7/16	7/8	2 1/4	4 29/32	15/16	1 5/8	2 21/32	3	45.00																
	3 7/16	PKEB22455H		PKB22455H																														
	3 1/2	PKEB22456H		PKB22456H																														
	80.00	PKEB224M80H		190.50															PKB224M80H	190.50	95.25	254.00	330.20	111.12	87.30	24.00	57.20	124.60	23.80	41.30	67.50	76.20	20.20	
	85.00	PKEB224M85H																	PKB224M85H														19.70	
B464	3 11/16	PKEB22459H	8 1/2	PKB22459H	8 1/2	4 1/4	11 3/4	15 1/4	5 1/16	4 9/16	1	2 5/8	5 5/8	1 1/16	2 1/4	3 1/16	3 7/16	64.00																
	3 15/16	PKEB22463H		PKB22463H																														

Continued...

Continued...

Bearing Dimensions

Size Code	Shaft Diameter	Expansion		Fixed		A Base to Centerline Height	B Distance Between Bolt Holes	C	D	E	F	H	M	P	S	U	W	Approx. Weight
		Part Number	L	Part Number	L													
B464	4	PKEB22464H	8 1/2	PKB22464H	8 1/2	4 1/4	11 3/4	15 1/4	5 1/16	4 9/16	1	2 5/8	5 5/8	1 1/16	2 1/4	3 1/16	3 7/16	62.00
	90.00	<i>PKEB224M90H</i>	215.90	<i>PKB224M90H</i>	215.90	107.95	298.40	387.40	128.59	106.4	24.00	66.70	142.90	27.00	57.20	77.80	87.30	29.90
	100.00	<i>PKEB224M100H</i>		<i>PKB224M100H</i>														28.10

Additional Notes

Please call 1-866-REXNORD for availability
 Lubrication fitting tap size, 1/8" PT
 Base to centerline tolerance, +/- .005" (+/-0.13mm)
 Expansion - is 3/8" for all size codes
 H labyrinth seals standard
 All size codes available with type E lip seals & E7 triple lip seals
 For the Selection Guide, Load Ratings and Speed Limits, see the Link-Belt Spherical Roller Bearings Engineering section

Note: Dimensions subject to change. Certified dimensions of ordered material furnished on request.

PKB22400F, PKEB22400F

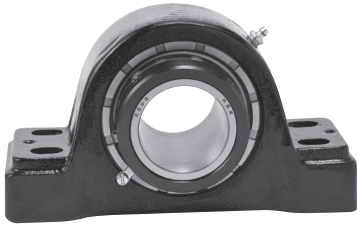
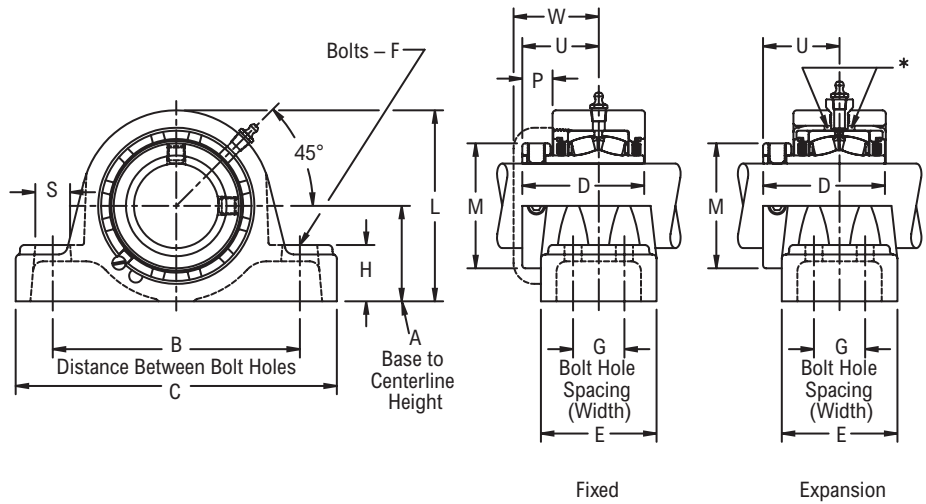


Photo Shows a 4-Bolt Spherical Roller Bearing Pillow Block Unit

Product Features

- Corrosion-resistant powder coating
- Cast steel housing
- Misalignment capabilities - total of 4°
- Broad range of sealing options
- Factory set clearance & lubrication
- Hardened spring locking collar
- Field interchangeable seals
- Fixed or Expansion - total of 3/8" expansion
- See Features & Benefits for additional info.



Bearing Dimensions

Size Code	Shaft Diameter	Expansion		Fixed		A Base to Centerline Height	B Distance Between Bolt Holes	G Bolt Hole Spacing (Width)	C	D	E	F	H	L	M	P	S	U	W	Approx. Weight	
		Part Number	Part Number	Part Number	Part Number																
B432	1 15/16	PKEB22431FH	PKB22431FH	2 1/4	6 1/4	1 19/32	8 3/8	3 1/8	3 3/16	1/2	1 3/8	4 9/16	2 7/8	2 1/32	13/16	1 29/32	2 9/32	13.00			
	2	PKEB22432FH	PKB22432FH																		6.10
	50.00	PKEB224M50FH	PKB224M50FH	57.15	158.80	40.50	212.70	79.38	81.00	12.00	34.90	115.90	73.00	16.70	20.60	48.40	57.90	5.80			
B436	2 3/16	PKEB22435FH	PKB22435FH	2 1/2	6 3/4	1 11/16	8 7/8	3 5/16	3 1/4	1/2	1 5/8	5	3 1/4	25/32	13/16	2 1/16	2 7/16	16.00			
	2 1/4	PKEB22436FH	PKB22436FH																		16.00
	55.00	PKEB224M55FH	PKB224M55FH	63.50	171.40	42.90	225.40	84.14	82.60	12.00	41.30	127.00	82.60	19.80	20.60	52.40	61.90	7.30			
B440	2 7/16	PKEB22439FH	PKB22439FH	2 3/4	7 1/8	1 3/4	9 1/4	3 1/2	3 3/8	1/2	1 3/4	5 1/2	3 9/16	27/32	13/16	2 3/16	2 9/16	20.00			
	2 1/2	PKEB22440FH	PKB22440FH																		20.00
	60.00	PKEB224M60FH	PKB224M60FH	69.85	181.00	44.40	235.00	88.90	85.70	12.00	44.40	139.70	90.50	21.40	20.60	55.60	65.10	9.30			
B448	2 11/16	PKEB22443FH	PKB22443FH																		30.00
	2 3/4	PKEB22444FH	PKB22444FH																		29.00
	2 15/16	PKEB22447FH	PKB22447FH	3 1/4	8 1/8	1 7/8	10 7/16	4	3 3/4	5/8	2 1/4	6 7/16	4 1/16	27/32	15/16	2 7/16	2 25/32	28.00			
	3	PKEB22448FH	PKB22448FH																		13.70
	65.00	PKEB224M65FH	PKB224M65FH	82.55	206.40	47.60	265.10	101.60	95.20	16.00	57.20	163.50	103.20	21.40	23.80	61.90	70.60	13.50			
	75.00	PKEB224M75FH	PKB224M75FH																		13.00
B456	3 3/16	PKEB22451FH	PKB22451FH	3 3/4	10	2	13	4 3/8	4 1/8	3/4	2 1/4	7 1/2	4 29/32	15/16	1 1/2	2 21/32	3	49.00			
	3 7/16	PKEB22455FH	PKB22455FH																		47.00
	3 1/2	PKEB22456FH	PKB22456FH																		47.00
	80.00	PKEB224M80FH	PKB224M80FH	95.25	254.00	50.80	330.20	111.12	104.80	20.00	57.20	190.50	124.60	23.80	38.10	67.50	76.20	22.00			
	85.00	PKEB224M85FH	PKB224M85FH																		21.50
B464	3 11/16	PKEB22459FH	PKB22459FH																		76.00
	3 15/16	PKEB22463FH	PKB22463FH	4 1/4	12 1/2	2 1/4	15 1/4	5 1/16	4 1/2	3/4	2 5/8	8 1/2	5 5/8	1 1/16	1 1/4	3 1/16	3 7/16	74.00			
	4	PKEB22464FH	PKB22464FH																		73.00
	90.00	PKEB224M90FH	PKB224M90FH	107.95	317.50	57.20	387.40	128.59	114.30	20.00	66.70	215.90	142.90	27.00	31.80	77.80	87.30	35.20			
	100.00	PKEB224M100FH	PKB224M100FH																		33.50

Additional Notes

- Please call 1-866-REXNORD for availability
- Lubrication fitting tap size, 1/8" PT
- Base to centerline tolerance, +/-0.005" (+/-0.13mm)
- Expansion - is 3/8" for all size codes
- H labyrinth seals standard
- All size codes available with type E lip seals & E7 triple lip seals
- For the Selection Guide, Load Ratings and Speed Limits, see the Link-Belt Spherical Roller Bearings Engineering section

Note: Dimensions subject to change. Certified dimensions of ordered material furnished on request.

PKB22500F, PKEB22500F

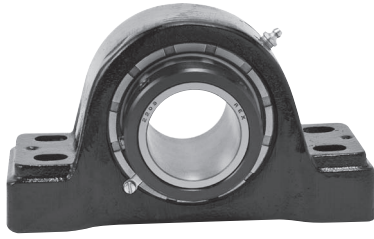
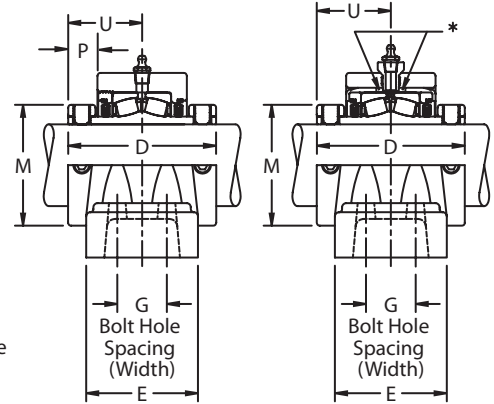
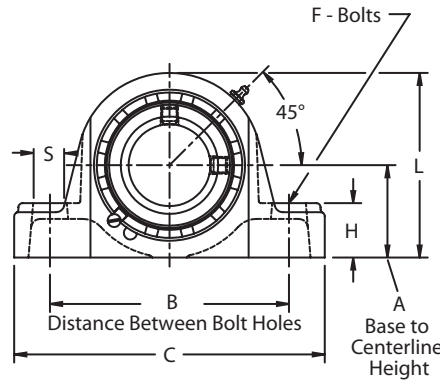


Photo Shows a 4-Bolt Spherical Roller Bearing Pillow Block Unit

Product Features

- Corrosion-resistant powder coating
- Cast steel housing
- Misalignment capabilities - total of 4°
- Broad range of sealing options
- Factory set clearance & lubrication
- Two hardened spring locking collars
- Field interchangeable seals
- Fixed or Expansion - total of 3/8" expansion
- See Features & Benefits for additional info.



Fixed

Expansion

Bearing Dimensions

Size Code	Shaft Diameter	Expansion		Fixed		A Base to Centerline Height	B Distance Between Bolt Holes	G Bolt Hole Spacing (Width)	C	D	E	F	H	L	M	P	S	U	Approx. Weight															
		Part Number	Part Number																															
B572	4 3/16	PKEB22567YFH	PKB22567YFH	4 3/4	13 1/2	2 1/2	16 1/2	6 1/4	4 3/4	3/4	2 3/4	10	6 3/16	1	1 29/64	3 1/8			97.00															
	4 7/16	PKEB22571YFH	PKB22571YFH																93.00															
	4 1/2	PKEB22572YFH	PKB22572YFH																92.00															
B580	110.00	PKEB225M110YFH	PKB225M110YFH	120.65	342.90	63.50	419.10	158.75	120.60	20.00	69.80	254.00	157.16	25.4	36.90	79.50			43.00															
	115.00	PKEB225M115YFH	PKB225M115YFH																41.70															
	4 15/16	PKEB22579YFH	PKB22579YFH																5 1/2	15 1/2	2 3/4	18 1/2	7 7/8	6 3/8	7/8	3	11 23/32	7 1/16	1 5/32	1 9/16	3 15/16			125.00
	5	PKEB22580YFH	PKB22580YFH																															124.00
	125.00	PKEB225M125YFH	PKB225M125YFH																															139.70

Additional Notes

- Please call 1-866-REXNORD for availability
- Lubrication fitting tap size, 1/8" PT
- Base to centerline tolerance, +/- .005" (+/- 0.13mm)
- Expansion - is 3/8" for all size codes
- H labyrinth seals standard
- All size codes available with type E lip seals & E7 triple lip seals
- For the Selection Guide, Load Ratings and Speed Limits, see the Link-Belt Spherical Roller Bearings Engineering section

Note: Dimensions subject to change. Certified dimensions of ordered material furnished on request.

PKB22600, PKEB22600

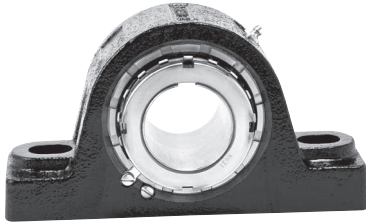
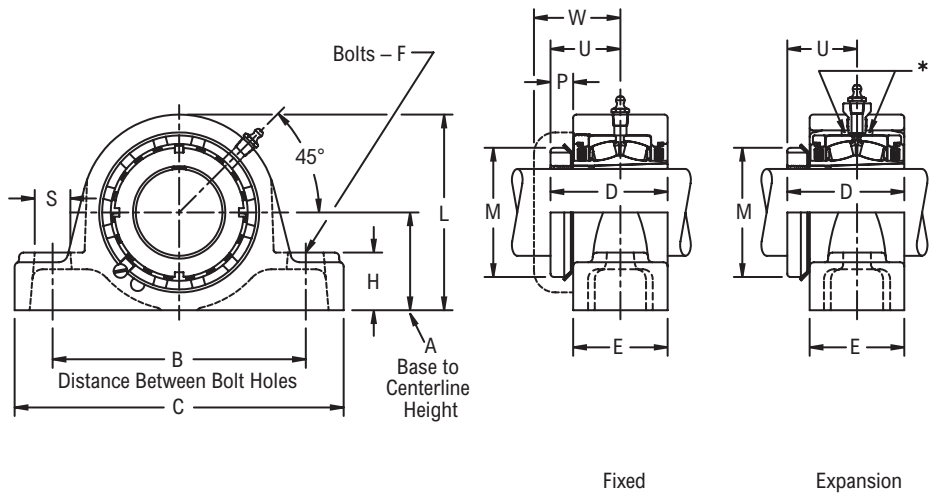


Photo Shows a 2-Bolt Spherical Roller Bearing Pillow Block Unit

Product Features

- Corrosion-resistant powder coating
- Cast steel housing
- Misalignment capabilities - total of 4°
- Broad range of sealing options
- Factory set clearance & lubrication
- Enhanced life mounting style
- Field interchangeable seals
- Fixed or Expansion - total of 3/8" expansion
- See Features & Benefits for additional info.



Bearing Dimensions

Size Code	Shaft Diameter	Expansion		Fixed		A Base to Centerline Height	B Distance Between Bolt Holes	C	D	E	F	H	M	P	U	S	W	Approx. Weight
		Part Number	L	Part Number	L													
B624	1 7/16	PKEB22623H	3 7/8	PKB22623H	3 11/16	1 7/8	5	6 7/8	2.71	2 1/4	1/2	1 3/16	2 1/4	1/2	1 39/64	13/16	2 3/16	7.00
B631	1 15/16	PKEB22631H	4 9/16	PKB22631H	4 9/16	2 1/4	6 1/4	8 3/8	3.08	2 1/2	5/8	1 3/8	2 31/32	39/64	1 55/64	15/16	2 9/32	12.00
B635	2 3/16	PKEB22635H	5	PKB22635H	5	2 1/2	6 3/4	8 7/8	3.16	2 9/16	5/8	1 5/8	3 5/32	5/8	1 29/32	15/16	2 7/16	16.00
B639	2 7/16	PKEB22639H	5 1/2	PKB22639H	5 1/2	2 3/4	7 1/8	9 1/4	3.28	2 11/16	5/8	1 3/4	3 5/8	45/64	1 31/32	15/16	2 9/16	18.00
B647	2 11/16	PKEB22643H	6 7/16	PKB22643H	6 7/16	3 1/4	8 1/8	10 7/16	3.86	3 3/16	3/4	2 1/4	4 5/32	56/64	2 19/64	1 1/16	2 25/32	30.00
	2 15/16	PKEB22647H		PKB22647H														29.00
B655	3 7/16	PKEB22655H	7 1/2	PKB22655H	7 1/2	3 3/4	10	13	4.29	3 7/16	7/8	2 1/4	4 15/16	7/8	2 37/64	1 5/8	3	43.00
B663	3 15/16	PKEB22663H	8 1/2	PKB22663H	8 1/2	4 1/4	11 3/4	15 1/4	4.94	4 3/16	1	2 5/8	5 7/16	1 5/16	2 15/16	2 1/4	3 7/16	62.00

Additional Notes

- Please call 1-866-REXNORD for availability
- Lubrication fitting tap size, 1/8" PT
- Base to centerline tolerance, +/-0.005" (+/-0.13mm)
- Expansion - is 3/8" for all size codes
- Dimensions for "D", "P" & "U" based on unmounted condition
- H labyrinth seals standard
- All size codes available with type E lip seals & E7 triple lip seals

For the Selection Guide, Load Ratings and Speed Limits, see the Link-Belt Spherical Roller Bearings Engineering section
 Note: Dimensions subject to change. Certified dimensions of ordered material furnished on request.

PKB22600F, PKEB22600F

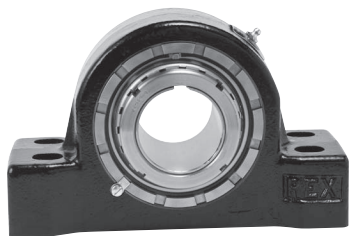
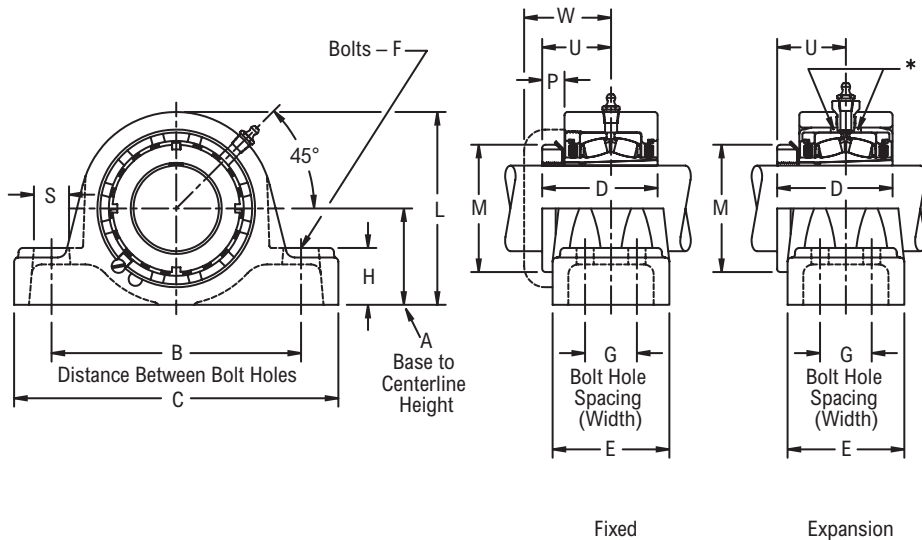


Photo Shows a 4-Bolt Spherical Roller Bearing Pillow Block Unit

Product Features

- Corrosion-resistant powder coating
- Cast steel housing
- Misalignment capabilities - total of 4°
- Broad range of sealing options
- Factory set clearance & lubrication
- Enhanced life mounting style
- Field interchangeable seals
- Fixed or Expansion - total of 3/8" expansion
- See Features & Benefits for additional info.



Bearing Dimensions

Size Code	Shaft Diameter	Expansion		Fixed		A Base to Centerline Height	B Distance Between Bolt Holes	G Bolt Hole Spacing (Width)	C	D	E	F	H	L	M	P	S	U	W	Approx. Weight
		Part Number	Part Number																	
B631	1 15/16	PKEB22631FH	PKB22631FH	2 1/4	6 1/4	1 19/32	8 3/8	3.08	3 3/16	1/2	1 3/8	4 9/16	2 31/32	39/64	13/16	1 55/64	2 9/32	13.00		
B635	2 3/16	PKEB22635FH	PKB22635FH	2 1/2	6 3/4	1 11/16	8 7/8	3.16	3 1/4	1/2	1 5/8	5	3 5/32	5/8	13/16	1 29/32	2 7/16	16.00		
B639	2 7/16	PKEB22639FH	PKB22639FH	2 3/4	7 1/8	1 3/4	9 1/4	3.28	3 3/8	1/2	1 3/4	5 1/2	3 5/8	5/8	13/16	1 31/32	2 9/16	20.00		
	2 11/16	PKEB22643FH	PKB22643FH	3 1/4	8 1/8	1 7/8	10 7/16	3.86	3 3/4	5/8	2 1/4	6 7/16	4 5/32	45/64	15/16	2 19/64	2 25/32	30.00		
B647	2 15/16	PKEB22647FH	PKB22647FH	3 1/4	8 1/8	1 7/8	10 7/16	3.86	3 3/4	5/8	2 1/4	6 7/16	4 5/32	45/64	15/16	2 19/64	2 25/32	29.00		
B655	3 7/16	PKEB22655FH	PKB22655FH	3 3/4	10	2	13	4.29	4 1/8	3/4	2 1/4	7 1/2	4 15/16	56/64	1 1/2	2 37/64	3	47.00		
B663	3 15/16	PKEB22663FH	PKB22663FH	4 1/4	12 1/2	2 1/4	15 1/4	4.94	4 1/2	3/4	2 5/8	8 1/2	5 7/16	15/16	1 1/4	2 15/16	3 7/16	74.00		

Additional Notes

- Please call 1-866-REXNORD for availability
- Lubrication fitting tap size, 1/8" PT
- Base to centerline tolerance, +/- .005" (+/- 0.13mm)
- Expansion - is 3/8" for all size codes
- Dimensions for "D", "P" & "U" based on unmounted condition
- H labyrinth seals standard
- All size codes available with type E lip seals & E7 triple lip seals

For the Selection Guide, Load Ratings and Speed Limits, see the Link-Belt Spherical Roller Bearings Engineering section
 Note: Dimensions subject to change. Certified dimensions of ordered material furnished on request.

EPB22400, EPEB22400

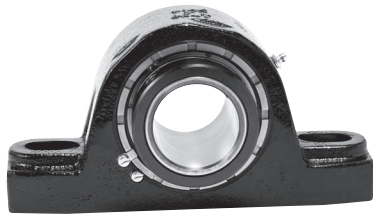
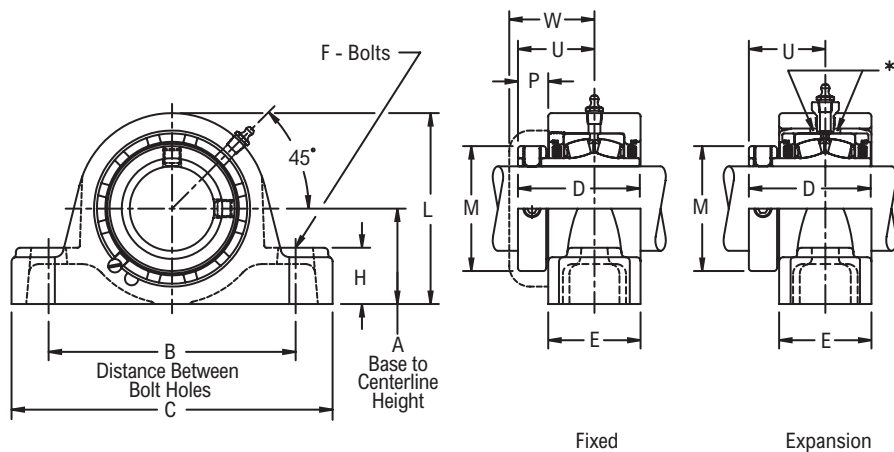


Photo Shows a 2-Bolt Spherical Roller Bearing Pillow Block Unit

Product Features

- Self-aligning type E interchange
- Corrosion-resistant powder coating
- Cast iron housing
- Misalignment capabilities - total of 4°
- Broad range of sealing options
- Factory set clearance & lubrication
- Hardened spring locking collar
- Field interchangeable seals
- Fixed or Expansion - total of 3/8" expansion
- See Features & Benefits for additional info.



Bearing Dimensions

Size Code	Shaft Diameter	Expansion		Fixed		A Base to Centerline Height	B Distance Between Bolt Holes		C	D	E	F	H	L	M	P	U	W	Approx. Weight
		Part Number	Part Number	Min	Max														
B424	1 7/16	EPEB22423H	EPB22423H	1 7/8	4 3/4	6	7 3/8	2 7/8	2 1/4	1/2	1 1/8	3 7/8	2 5/16	21/32	1 25/32	2 3/16	8.00		
	35.00	EPEB224M35H	EPB224M35H	47.62	120.60	152.40	187.30	73.02	57.20	12.00	28.60	98.40	58.70	16.70	45.20	55.60	3.10		
B428	1 1/2	EPEB224B24H	EPB224B24H	2 1/8	5 1/4	6 1/2	7 7/8	3 1/8	2 1/2	1/2	1 1/4	4 3/8	2 19/32	21/32	1 29/32	2 1/4	11.00		
	1 5/8	EPEB22426H	EPB22426H																
	1 11/16	EPEB22427H	EPB22427H																
40.00	EPEB224M40H	EPB224M40H	53.98	133.40	165.10	200.00	79.38	63.50	12.00	31.80	111.10	65.90	16.70	48.40	57.20	5.40			
B432	1 3/4	EPEB224B28H	EPB224B28H	2 1/4	6 1/16	7 1/4	8 7/8	3 1/8	2 1/2	5/8	1 5/16	4 9/16	2 7/8	21/32	1 29/32	2 9/32	12.00		
	1 15/16	EPEB22431H	EPB22431H																
	2	EPEB22432H	EPB22432H																
	45.00	EPEB224M45H	EPB224M45H															57.15	154.00
50.00	EPEB224M50H	EPB224M50H	57.15	154.00	184.20	225.40	79.38	63.50	16.00	33.30	115.90	73.00	16.70	48.40	57.90	5.20			
B436	2 3/16	EPEB22435H	EPB22435H	2 1/2	6 9/16	8	9 5/8	3 5/16	2 9/16	5/8	1 1/2	5	3 1/4	25/32	2 1/16	2 7/16	15.00		
	55.00	EPEB224M55H	EPB224M55H	63.50	166.70	203.20	244.50	84.14	65.10	16.00	38.10	127.00	82.60	19.80	52.40	61.90	6.60		
B440	2 1/4	EPEB224B36H	EPB224B36H	2 3/4	6 15/16	8 3/4	10 1/2	3 1/2	2 11/16	5/8	1 5/8	5 1/2	3 9/16	27/32	2 3/16	2 9/16	17.00		
	2 7/16	EPEB22439H	EPB22439H																
	2 1/2	EPEB22440H	EPB22440H																
60.00	EPEB224M60H	EPB224M60H	69.85	176.20	222.20	266.70	88.90	68.30	16.00	41.30	139.70	90.50	21.40	55.60	65.10	8.20			
B448	2 11/16	EPEB22443H	EPB22443H	3 1/8	7 13/16	9 3/4	11 13/16	4	3 3/16	3/4	1 7/8	6 5/16	4 1/16	27/32	2 7/16	2 25/32	28.00		
	2 3/4	EPEB22444H	EPB22444H																
	2 15/16	EPEB22447H	EPB22447H																
	3	EPEB22448H	EPB22448H																
	65.00	EPEB224M65H	EPB224M65H															79.38	198.40
70.00	EPEB224M70H	EPB224M70H	79.38	198.40	247.60	300.00	101.60	81.00	20.00	47.60	160.30	103.20	21.40	61.90	70.60	13.30			
75.00	EPEB224M75H	EPB224M75H	79.38	198.40	247.60	300.00	101.60	81.00	20.00	47.60	160.30	103.20	21.40	61.90	70.60	12.80			
B456	3 3/16	EPEB22451H	EPB22451H	3 3/4	9 5/16	11 5/16	13 13/16	4 3/8	3 1/2	7/8	2 1/4	7 1/2	4 29/32	15/16	2 21/32	3	43.00		
	3 7/16	EPEB22455H	EPB22455H																
	3 1/2	EPEB22456H	EPB22456H																
	80.00	EPEB224M80H	EPB224M80H															95.25	236.50
85.00	EPEB224M85H	EPB224M85H	95.25	236.50	287.30	350.80	111.12	88.90	24.00	57.20	190.50	124.60	23.80	67.50	76.20	19.50			

Additional Notes

- Please call 1-866-REXNORD for availability
- Lubrication fitting tap size, 1/8" PT
- Base to centerline tolerance, +/-0.005" (+/-0.13mm)
- Expansion - is 3/8" for all size codes
- H labyrinth seals standard
- All size codes available with type E lip seals & E7 triple lip seals
- For the Selection Guide, Load Ratings and Speed Limits, see the Link-Belt Spherical Roller Bearings Engineering section

Note: Dimensions subject to change. Certified dimensions of ordered material furnished on request.

EPB22400F, EPEB22400F

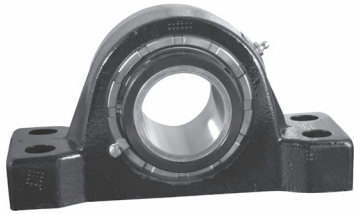
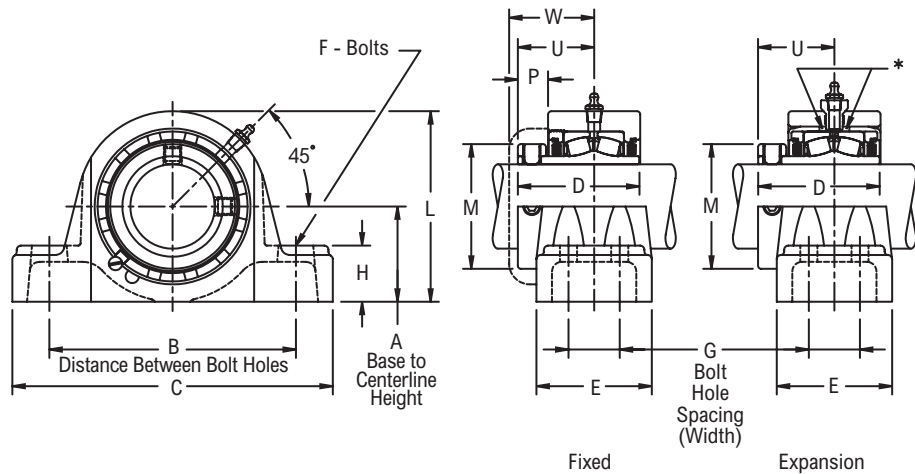


Photo Shows a 4-Bolt Spherical Roller Bearing Pillow Block Unit

Product Features

- Self-aligning type E interchange
- Corrosion-resistant powder coating
- Cast iron housing
- Misalignment capabilities - total of 4°
- Broad range of sealing options
- Factory set clearance & lubrication
- Hardened spring locking collar
- Field interchangeable seals
- Fixed or Expansion - total of 3/8" expansion
- See Features & Benefits for additional info.



Bearing Dimensions

Size Code	Shaft Diameter	Expansion		Fixed		A Base to Centerline Height	B Distance Between Bolt Holes		G Bolt Hole Spacing (Width)	C	D	E	F	H	L	M	P	U	W	Approx. Weight
		Part Number	Part Number	Min	Max															
B440	2 1/4	EPEB224B36FH	EPB224B36FH	2 3/4	6 15/16	8 3/4	1 7/8	10 1/2	3 1/2	3 5/8	5/8	1 5/8	5 1/2	3 9/16	27/32	2 3/16	2 9/16	21.00		
	2 7/16	EPEB22439FH	EPB22439FH																20.00	
	2 1/2	EPEB22440FH	EPB22440FH																20.00	
	60.00	EPEB224M60FH	EPB224M60FH	69.85	176.20	222.20	47.60	266.70	88.90	92.10	16.00	41.30	139.70	90.50	21.4	55.60	65.1	8.80		
B448	2 11/16	EPEB22443FH	EPB22443FH	3 1/8	7 13/16	9 7/8	2 1/8	11 13/16	4	4 1/4	5/8	1 7/8	6 5/16	4 1/16	27/32	2 7/16	2 25/32	31.00		
	2 3/4	EPEB22444FH	EPB22444FH																29.00	
	2 15/16	EPEB22447FH	EPB22447FH																29.00	
	3	EPEB22448FH	EPB22448FH																29.00	
	65.00	EPEB224M65FH	EPB224M65FH																14.00	
	70.00	EPEB224M70FH	EPB224M70FH																13.80	
	75.00	EPEB224M75FH	EPB224M75FH	13.30																
B456	3 3/16	EPEB22451FH	EPB22451FH	3 3/4	9 5/16	11 5/16	2 3/8	13 13/16	4 3/8	4 3/4	3/4	2 1/4	7 1/2	4 29/32	15/16	2 21/32	3	47.00		
	3 7/16	EPEB22455FH	EPB22455FH																46.00	
	3 1/2	EPEB22456FH	EPB22456FH																45.00	
	80.00	EPEB224M80FH	EPB224M80FH																21.30	
	85.00	EPEB224M85FH	EPB224M85FH																20.80	
B464	3 11/16	EPEB22459FH	EPB22459FH	4 1/4	11 7/8	13	2 1/4	15 1/4	5 1/16	4 1/2	3/4	2 5/8	8 1/2	5 5/8	1 1/16	3 1/16	3 7/16	69.00		
	3 15/16	EPEB22463FH	EPB22463FH																67.00	
	4	EPEB22464FH	EPB22464FH																66.00	
	90.00	EPEB224M90FH	EPB224M90FH																32.10	
	100.00	EPEB224M100FH	EPB224M100FH																30.30	

Additional Notes

- Please call 1-866-REXNORD for availability
- Lubrication fitting tap size, 1/8" PT
- Base to centerline tolerance, +/- .005" (+/- 0.13mm)
- Expansion - is 3/8" for all size codes
- H labyrinth seals standard
- All size codes available with type E lip seals & E7 triple lip seals
- For the Selection Guide, Load Ratings and Speed Limits, see the Link-Belt Spherical Roller Bearings Engineering section

Note: Dimensions subject to change. Certified dimensions of ordered material furnished on request.

EPB22500, EPEB22500, EPB22500F, EPEB22500F

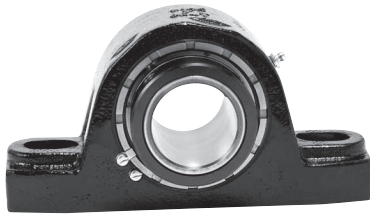
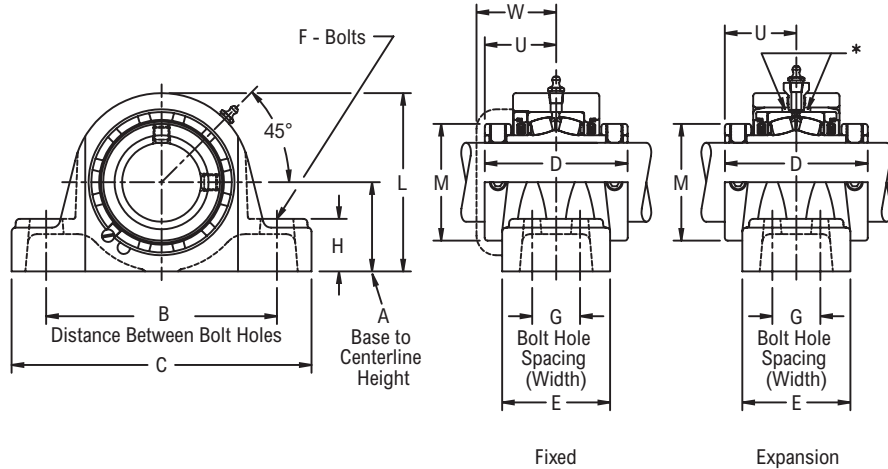


Photo Shows a 2-Bolt Spherical Roller Bearing Pillow Block Unit

Product Features

- Self-aligning type E interchange
- Corrosion-resistant powder coating
- Cast iron housing
- Misalignment capabilities - total of 4°
- Broad range of sealing options
- Factory set clearance & lubrication
- Two hardened spring locking collars
- Field interchangeable seals
- Fixed or Expansion - total of 3/8" expansion
- See Features & Benefits for additional info.



Bearing Dimensions

Size Code	Shaft Diameter	Expansion		Fixed		A Base to Centerline Height	B Distance Between Bolt Holes		G Bolt Hole Spacing (Width)	C	D	E	F	H	L	M	U	W	Approx. Weight
		Part Number	Part Number	Min	Max														
Two-Bolt Pillow Block																			
B524	1 7/16	EPEB22523H	EPB22523H	1 7/8	4 3/4	6	-	7 3/8	3 9/16	2 1/4	1/2	1 1/8	3 7/8	2 5/16	1 25/32	2 3/16	8.00		
B528	1 11/16	EPEB22527H	EPB22527H	2 1/8	5 1/2	6 1/2	-	7 7/8	3 13/16	2 1/2	1/2	1 1/4	4 3/8	2 19/32	1 29/32	2 1/4	12.00		
B531	1 15/16	EPEB22531H	EPB22531H	2 1/4	6 1/16	7 1/4	-	8 7/8	3 13/16	2 1/2	5/8	1 5/16	4 9/16	2 7/8	1 29/32	2 3/32	13.00		
B536	2 3/16	EPEB22535H	EPB22535H	2 1/2	6 9/16	8	-	9 5/8	4 1/8	2 9/16	5/8	1 1/2	5	3 1/4	2 1/16	2 7/16	16.00		
B540	2 7/16	EPEB22539H	EPB22539H	2 3/4	6 15/16	8 3/4	-	10 1/2	4 3/8	2 11/16	5/8	1 5/8	5 1/2	3 9/16	2 3/16	2 9/16	18.00		
B548	2 11/16	EPEB22543H	EPB22543H	3 1/8	7 13/16	9 3/4	-	11 11/16	4 7/8	3 13/16	3/4	1 7/8	6 5/16	4 1/16	2 7/16	2 25/32	-	-	31.00
	2 15/16	EPEB22547H	EPB22547H																29.00
B556	3 7/16	EPEB22555H	EPB22555H	3 3/4	9 5/16	11 5/16	-	13 13/16	5 5/16	3 1/2	7/8	2 1/4	7 1/2	4 29/32	2 21/32	3	45.00		
Four-Bolt Pillow Block																			
B540	2 7/16	EPEB22539FH	EPB22539FH	2 3/4	6 15/16	8 3/4	1 7/8	10 1/2	4 3/8	3 5/8	5/8	1 5/8	5 1/2	3 9/16	2 3/16	2 9/16	21.00		
B548	2 11/16	EPEB22543FH	EPB22543FH	3 1/8	7 13/16	9 7/8	2 1/8	11 13/16	4 7/8	4 1/4	5/8	1 7/8	6 5/16	4 1/16	2 7/16	2 25/32	-	-	33.00
	2 15/16	EPEB22547FH	EPB22547FH																31.00
B556	3 7/16	EPEB22555FH	EPB22555FH	3 3/4	9 5/16	11 7/16	2 3/8	13 13/16	5 5/16	4 3/4	3/4	2 1/4	7 1/2	4 29/32	2 21/32	3	48.00		
B564	3 15/16	EPEB22563FH	EPB22563FH	4 1/4	11 7/8	13	2 1/4	15 1/4	6 1/8	4 1/2	3/4	2 5/8	8 5/8	5 5/8	3 1/16	3 7/16	-	-	71.00
	4	EPEB22564FH	EPB22564FH																70.00
B572	4 3/16	EPEB22567YFH	EPB22567YFH	4 3/4	12 3/4	14 1/8	2 1/2	16 1/2	6 1/4	4 5/8	3/4	2 3/4	9 3/8	6 3/16	3 1/8	-	-	-	92.00
	4 7/16	EPEB22571YFH	EPB22571YFH																88.00
	4 1/2	EPEB22572YFH	EPB22572YFH																87.00
B580	4 15/16	EPEB22579YFH	EPB22579YFH	5 1/2	14 5/16	16 1/8	2 3/4	18 1/2	7 7/8	5 9/16	7/8	3	11 1/8	7 1/16	3 15/16	-	-	-	129.00
	5	EPEB22580YFH	EPB22580YFH																128.00
	125.00	EPEB225M125YFH	EPB225M125YFH																139.70
	110.00	EPEB225M110YFH	EPB225M110YFH	120.65	323.90	358.80	63.50	419.10	158.75	117.48	20.00	69.80	238.10	157.16	79.37	-	-	40.70	
	115.00	EPEB225M115YFH	EPB225M115YFH															39.50	
	125.00	EPEB225M125YFH	EPB225M125YFH	139.70	363.60	409.60	69.80	469.90	200.02	141.29	24.00	76.20	282.57	179.38	100.01	-	-	58.10	

Additional Notes

- Please call 1-866-REXNORD for availability
- Lubrication fitting tap size, 1/8" PT
- Base to centerline tolerance, +/-0.005" (+/-0.13mm)
- Expansion - is 3/8" for all size codes
- H labyrinth seals standard
- All size codes available with type E lip seals & E7 triple lip seals
- For the Selection Guide, Load Ratings and Speed Limits, see the Link-Belt Spherical Roller Bearings Engineering section

Note: Dimensions subject to change. Certified dimensions of ordered material furnished on request.

EPB22600, EPEB22600

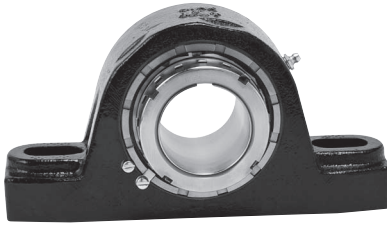
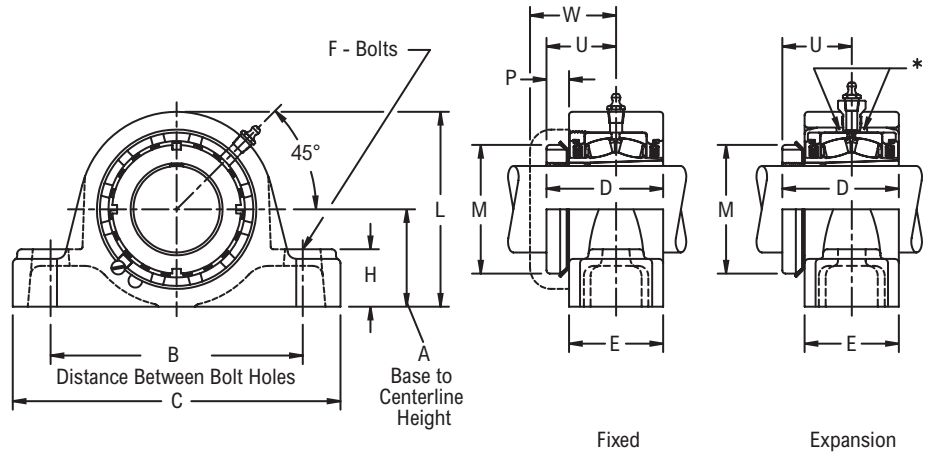


Photo Shows a 2-Bolt Spherical Roller Bearing Pillow Block Unit

Product Features

- Self-aligning type E interchange
- Corrosion-resistant powder coating
- Cast iron housing
- Misalignment capabilities - total of 4°
- Broad range of sealing options
- Factory set clearance & lubrication
- Enhanced life mounting style
- Field interchangeable seals
- Fixed or Expansion - total of 3/8" expansion
- See Features & Benefits for additional info.



Fixed

Expansion

Bearing Dimensions

Size Code	Shaft Diameter	Expansion		Fixed		A Base to Centerline Height	B Distance Between Bolt Holes		C	D	E	F	H	L	M	P	U	W	Approx. Weight
		Part Number	Part Number	Min	Max														
B624	1 7/16	EPEB22623H	EPB22623H	1 7/8	4 3/4	6	7 3/8	2.71	2 1/4	1/2	1 1/8	3 7/8	2 1/4	1/2	1 39/64	2 3/16	8.00		
B631	1 15/16	EPEB22631H	EPB22631H	2 1/4	6 1/16	7 1/4	8 7/8	3.08	2 1/2	5/8	1 5/16	4 9/16	2 31/32	39/64	1 55/64	2 9/32	12.00		
B635	2 3/16	EPEB22635H	EPB22635H	2 1/2	6 9/16	8	9 5/8	3.16	2 9/16	5/8	1 1/2	5	3 5/32	5/8	1 29/32	2 7/16	15.00		
B639	2 7/16	EPEB22639H	EPB22639H	2 3/4	6 15/16	8 3/4	10 1/2	3.28	2 11/16	5/8	1 5/8	5 1/2	3 5/8	45/64	1 31/32	2 9/16	17.00		
B647	2 11/16	EPEB22643H	EPB22643H	3 1/8	7 13/16	9 3/4	11 13/16	3.86	3 3/16	3/4	1 7/8	6 5/16	4 5/32	55/64	2 19/64	2 25/32	29.00		
	2 15/16	EPEB22647H	EPB22647H															27.00	
B655	3 7/16	EPEB22655H	EPB22655H	3 3/4	9 5/16	11 5/16	13 13/16	4.29	3 1/2	7/8	2 1/4	7 1/2	4 15/16	7/8	2 37/64	3	43.00		

Additional Notes

- Please call 1-866-REXNORD for availability
- Lubrication fitting tap size, 1/8" PT
- Base to centerline tolerance, +/- .005" (+/- 0.13mm)
- Expansion - is 3/8" for all size codes
- Dimensions for "D", "P" & "U" based on unmounted condition
- H labyrinth seals standard
- All size codes available with type E lip seals & E7 triple lip seals

For the Selection Guide, Load Ratings and Speed Limits, see the Link-Belt Spherical Roller Bearings Engineering section
 Note: Dimensions subject to change. Certified dimensions of ordered material furnished on request.

EPB22600F, EPEB22600F

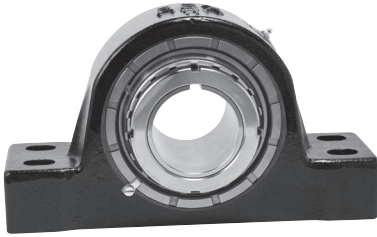
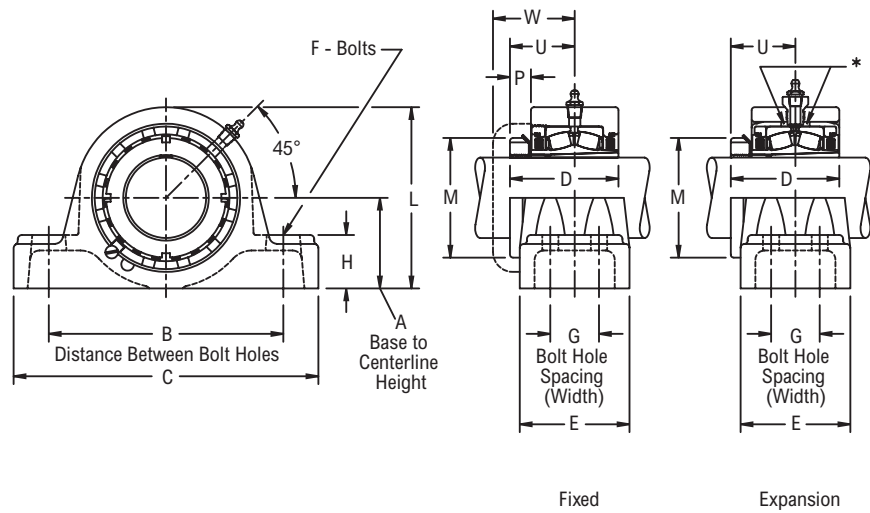


Photo Shows a 4-Bolt Spherical Roller Bearing Pillow Block Unit

Product Features

- Self-aligning type E interchange
- Corrosion-resistant powder coating
- Cast iron housing
- Misalignment capabilities - total of 4°
- Broad range of sealing options
- Factory set clearance & lubrication
- Enhanced life mounting style
- Field interchangeable seals
- Fixed or Expansion - total of 3/8" expansion
- See Features & Benefits for additional info.



Bearing Dimensions

Size Code	Shaft Diameter	Expansion		Fixed		A Base to Centerline Height	B Distance Between Bolt Holes		G Bolt Hole Spacing (Width)	C	D	E	F	H	L	M	P	U	W	Approx. Weight
		Part Number	Part Number	Min	Max															
B639	2 7/16	EPEB22639FH	EPB22639FH	2 3/4	6 15/16	8 3/4	1 7/8	10 1/2	3.28	3 5/8	5/8	1 5/8	5 1/2	3 5/8	5/8	1 31/32	2 9/16	20.00		
B647	2 11/16	EPEB22643FH	EPB22643FH	3 1/8	7 13/16	9 7/8	2 1/8	11 13/16	3.86	4 1/4	5/8	1 7/8	6 5/16	4 5/32	45/64	2 19/64	2 25/32	29.00		
		EPEB22647FH	EPB22647FH																	
B655	3 7/16	EPEB22655FH	EPB22655FH	3 3/4	9 5/16	11 5/16	2 3/8	13 13/16	4.29	4 3/4	3/4	2 1/4	7 1/2	4 15/16	55/64	2 37/64	3	46.00		

Additional Notes

- Please call 1-866-REXNORD for availability
- Lubrication fitting tap size, 1/8" PT
- Base to centerline tolerance, +/-0.005" (+/-0.13mm)
- Expansion - is 3/8" for all size codes
- Dimensions for "D", "P" & "U" based on unmounted condition
- H labyrinth seals standard
- All size codes available with type E lip seals & E7 triple lip seals

For the Selection Guide, Load Ratings and Speed Limits, see the Link-Belt Spherical Roller Bearings Engineering section
 Note: Dimensions subject to change. Certified dimensions of ordered material furnished on request.

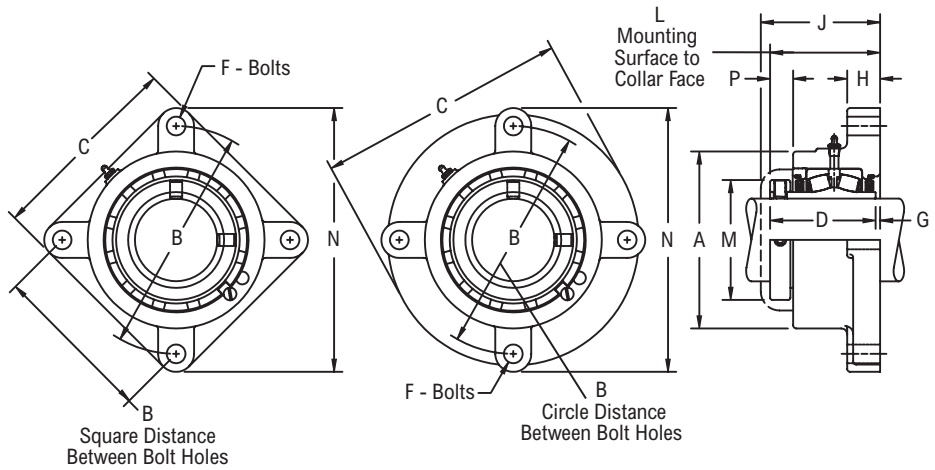
FB22400, FEB22400



Photo Shows a 4-Bolt Spherical Roller Bearing Flanged Unit

Product Features

- Corrosion-resistant powder coating
- Cast iron housing
- Misalignment capabilities - total of 4°
- Broad range of sealing options
- Factory set clearance & lubrication
- Hardened spring locking collar
- Field interchangeable seals
- Fixed or Expansion - total of 3/8 in expansion
- See Features & Benefits for additional info.



Bearing Dimensions

Size Code	Shaft Diameter	Expansion		Fixed		B Distance Between Bolt Holes		L Mounting Surface to Collar Face	C	D	F Bolts	G	H	J	M	N	P	Approx. Weight																		
		Part Number	A	Part Number	A	Square	Circle																													
3-Bolt Round																																				
B416	1	FEB22416H	3 1/4	FB22416H	2 7/8	-	4 1/8	2 19/32	4 3/4	2 9/16	3/8	1/32	9/16	2 15/16	1 3/4	5 1/8	17/32	3.00																		
	25.00	FEB224M25H	82.60	FB224M25H	73.00	-	104.78	65.90	120.60	65.09	10.00	0.80	14.30	74.60	44.40	130.20	13.50	1.30																		
B420	1 3/16	FEB22419H	3 1/2	FB22419H	3 1/8	-	4 1/2	2 23/32	5 1/8	2 11/16	3/8	1/32	19/32	3 1/16	1 31/32	5 1/2	17/32	6.00																		
	1 1/4	FEB22420H		FB22420H		30.00													FEB224M30H	88.90	FB224M30H	79.40	-	114.30	69.00	130.20	68.26	10.00	0.80	15.10	77.80	50.00	139.70	13.50	2.40	
B424	1 7/16	FEB22423H	3 3/4	FB22423H	3 7/16	-	5	2 29/32	5 7/8	2 7/8	1/2	1/32	5/8	3 3/16	2 5/16	6 1/4	2 1/32	7.00																		
	1 1/2	FEB22424H		FB22424H		35.00													FEB224M35H	95.20	FB224M35H	87.30	-	127.00	73.80	149.20	73.02	12.00	0.80	15.90	84.10	58.70	158.80	16.70	3.20	
4-Bolt Round																																				
B428	1 5/8	FEB22426H	4 1/4	FB22426H	3 15/16	3 57/64	5 1/2	3 5/32	6 3/8	3 1/8	1/2	1/32	5/8	3 1/2	2 19/32	6 3/4	2 1/32	9.00																		
	1 11/16	FEB22427H		FB22427H															40.00	FEB224M40H	108.00	FB224M40H	100.00	98.83	139.70	80.20	161.90	79.38	12.00	0.80	15.90	88.90	65.90	171.40	16.70	4.30
	1 3/4	FEB22428H		FB22428H															1 15/16	FEB22431H	4 1/2	FB22431H	4 1/4	4 1/16	5 3/4	3 3/16	6 11/16	3 1/8	1/2	1/16	11/16	3 3/16	2 7/8	7	2 1/32	10.00
B432	2	FEB22432H	4 1/2	FB22432H	4 1/4	4 1/16	5 3/4	3 3/16	6 11/16	3 1/8	1/2	1/16	11/16	3 3/16	2 7/8	7	2 1/32	10.00																		
	45.00	FEB224M45H		114.30															FB224M45H	108.00	103.17	146.05	81.00	169.90	79.38	12.00	1.60	17.50	90.50	73.00	177.80	16.70	5.00			
B436	2 3/16	FEB22435H	4 7/8	FB22435H	4 7/8	4 1/2	6 3/8	3 13/32	7 3/8	3 5/16	5/8	3/32	11/16	3 25/32	3 1/4	7 3/4	2 5/32	14.00																		
	2 1/4	FEB22436H		FB22436H															55.00	FEB224M55H	123.80	FB224M55H	123.80	114.30	161.92	86.50	187.30	84.14	16.00	2.40	17.50	96.00	82.60	196.80	19.80	6.50
B440	2 7/16	FEB22439H	5 3/8	FB22439H	5 3/8	4 49/64	6 3/4	3 19/32	7 3/4	3 1/2	5/8	3/32	3/4	3 31/32	3 9/16	8 1/8	2 7/32	17.00																		
	2 1/2	FEB22440H		FB22440H															60.00	FEB224M60H	136.50	FB224M60H	136.50	121.06	171.45	91.30	196.80	88.90	16.00	2.40	19.00	100.80	90.50	206.40	21.40	7.90
B448	2 11/16	FEB22443H	6 1/4	FB22443H	6 1/4	5 9/16	7 7/8	4 3/32	9 1/8	4	3/4	3/32	7/8	4 7/16	4 1/16	9 1/2	2 7/32	28.00																		
	2 3/4	FEB22444H		FB22444H															70.00	FEB224M70H	158.80	FB224M70H	158.80	141.27	200.02	104.00	231.80	101.60	20.00	2.40	22.20	112.70	103.20	241.30	21.40	12.50
	2 15/16	FEB22447H		FB22447H															65.00	FEB224M65H	158.80	FB224M65H	158.80	141.27	200.02	104.00	231.80	101.60	20.00	2.40	22.20	112.70	103.20	241.30	21.40	12.50
	3	FEB22448H		FB22448H															75.00	FEB224M75H	187.30	FB224M75H	187.30	170.64	241.30	115.90	214.31	111.12	20.00	6.40	25.40	124.60	124.60	290.50	23.80	18.10
	3 3/16	FEB22451H		FB22451H															80.00	FEB224M80H	187.30	FB224M80H	187.30	170.64	241.30	115.90	214.31	111.12	20.00	6.40	25.40	124.60	124.60	290.50	23.80	18.10
B456	3 7/16	FEB22455H	7 3/8	FB22455H	7 3/8	6 23/32	9 1/2	4 9/16	8 7/16	4 3/8	3/4	1/4	1	4 29/32	4 29/32	11 7/16	15/16	41.00																		
	3 1/2	FEB22456H		FB22456H															85.00	FEB224M85H	187.30	FB224M85H	187.30	170.64	241.30	115.90	214.31	111.12	20.00	6.40	25.40	124.60	124.60	290.50	23.80	18.10
4-Bolt Square																																				
B456	3 3/16	FEB22451H	7 3/8	FB22451H	7 3/8	6 23/32	9 1/2	4 9/16	8 7/16	4 3/8	3/4	1/4	1	4 29/32	4 29/32	11 7/16	15/16	41.00																		
	3 7/16	FEB22455H		FB22455H															85.00	FEB224M85H	187.30	FB224M85H	187.30	170.64	241.30	115.90	214.31	111.12	20.00	6.40	25.40	124.60	124.60	290.50	23.80	18.10

Continued...

Continued...

Bearing Dimensions

Size Code	Shaft Diameter	Expansion		Fixed		B Distance Between Bolt Holes		L Mounting Surface to Collar Face	C	D	F Bolts	G	H	J	M	N	P	Approx. Weight
		Part Number	A	Part Number	A	Square	Circle											
4-Bolt Square (continued)																		
B464	3 11/16	FEB22459H	8 3/8	FB22459H	8 1/2	7 19/32	10 3/4	5 7/32	9 3/4	5 1/16	7/8	1/4	1 1/8	5 5/8	5 5/8	12 29/32	1 1/32	59.00
	3 15/16	FEB22463H		FB22463H														57.00
	4	FEB22464H		FB22464H														
	90.00	<i>FEB224M90H</i>	212.70	<i>FB224M90H</i>	215.90	192.88	273.05	132.60	247.60	128.59	24.00	6.40	28.60	142.90	142.90	327.80	26.20	27.70
100.00	<i>FEB224M100H</i>		<i>FB224M100H</i>															25.90

Additional Notes

Please call 1-866-REXNORD for availability
 Lubrication fitting tap size, 1/8 in PT
 Expansion - is 3/8 in for all size codes
 For expansion units, dimensions "G", "L" & "P" are minimum values.
 For maximum values, add 3/8 in
 H labyrinth seals standard
 All size codes available with type E lip seals, except E7 in size code B416

For the Selection Guide, Load Ratings and Speed Limits, see the Link-Belt Spherical Roller Bearings Engineering section
 Note: Dimensions subject to change. Certified dimensions of ordered material furnished on request.

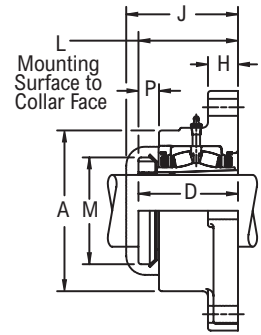
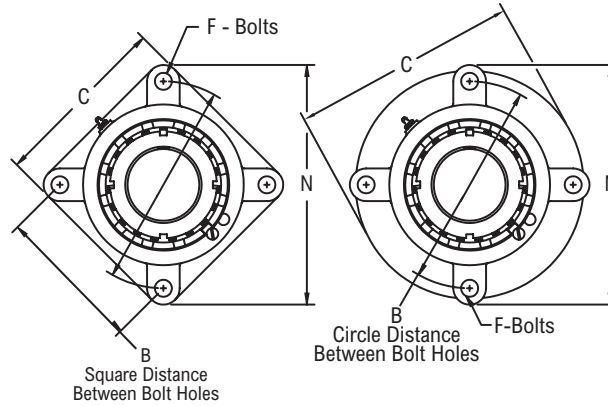
FB22600, FEB22600



Photo Shows a 4-Bolt Spherical Roller Bearing Flanged Unit

Product Features

- Corrosion-resistant powder coating
- Cast iron housing
- Misalignment capabilities - total of 4°
- Broad range of sealing options
- Factory set clearance & lubrication
- Enhanced life mounting style
- Field interchangeable seals
- Fixed or Expansion - total of 3/8 in expansion
- See Features & Benefits for additional info.



Bearing Dimensions

Size Code	Shaft Diameter	Expansion		Fixed		B Distance Between Bolt Holes		L Mounting Surface to Collar Face	C	D	F Bolts	H	J	M	N	P	Approx. Weight
		Part Number	A	Part Number	A	Square	Circle										
3-Bolt Round																	
B624	1 7/16	FEB22623H	3 3/4	FB22623H	3 7/16	-	5	2 3/4	5 7/8	2.71	1/2	5/8	3 5/16	2 1/4	6 1/4	1/2	7.00
4-Bolt Round																	
B631	1 15/16	FEB22631H	4 1/2	FB22631H	4 1/4	4 1/16	5 3/4	3 9/64	6 11/16	3.08	1/2	11/16	3 9/16	2 31/32	7	5/8	10.00
B635	2 3/16	FEB22635H	4 7/8	FB22635H	4 7/8	4 1/2	6 3/8	3 17/64	7 3/8	3.16	5/8	11/16	3 25/32	3 5/32	7 3/4	41/64	14.00
B639	2 7/16	FEB22639H	5 3/8	FB22639H	5 3/8	4 49/64	6 3/4	3 3/8	7 3/4	3.28	5/8	3/4	3 31/32	3 5/8	8 1/8	5/8	17.00
B647	2 11/16	FEB22643H	6 1/4	FB22643H	6 1/4	5 9/16	7 7/8	3 31/32	9 1/8	3.86	3/4	7/8	4 7/16	4 5/32	9 1/2	45/64	27.00
	2 15/16	FEB22647H		26.00													
4-Bolt Square																	
B655	3 7/16	FEB22655H	7 3/8	FB22655H	7 3/8	6 23/32	9 1/2	4 31/64	8 7/16	4.29	3/4	1	4 29/32	4 15/16	11 7/16	55/64	39.00
B663	3 15/16	FEB22663H	8 3/8	FB22663H	8 1/2	7 19/32	10 3/4	5 7/64	9 3/4	4.94	7/8	1 1/8	5 5/8	5 7/16	12 29/32	59/64	57.00

Additional Notes

- Please call 1-866-REXNORD for availability
- Lubrication fitting tap size, 1/8 in PT
- Expansion - is 3/8 in for all size codes
- Dimensions for "D", "L" & "P" based on unmounted condition
- For expansion units, dimensions "G", "L" & "P" are minimum values.
- For maximum values, add 3/8 in
- H labyrinth seals standard
- All size codes available with type E lip seals & E7 triple lip seals

For the Selection Guide, Load Ratings and Speed Limits, see the Link-Belt Spherical Roller Bearings Engineering section
 Note: Dimensions subject to change. Certified dimensions of ordered material furnished on request.

EFRB22400

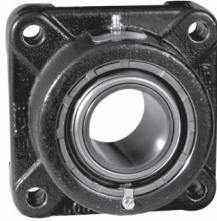
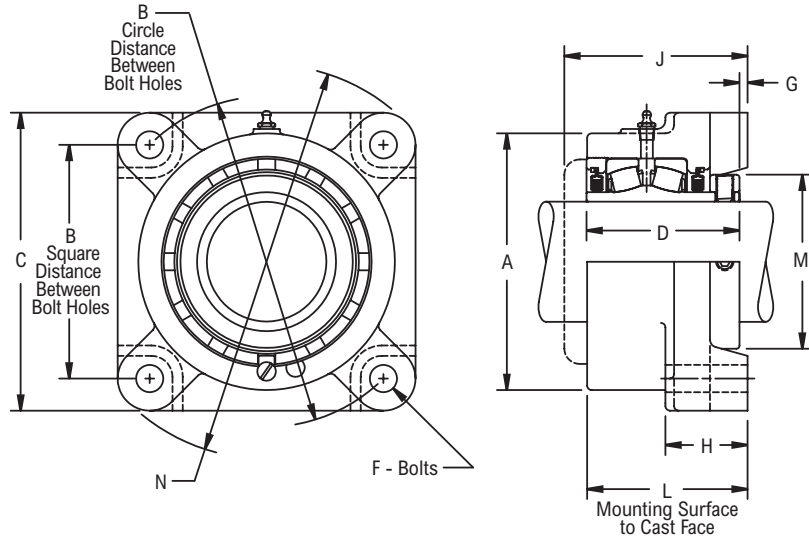


Photo Shows a 4-Bolt Spherical Roller Bearing Flanged Unit



Product Features

- Self aligning type E interchange
 - Corrosion-resistant powder coating
 - Cast iron housing
 - Misalignment capabilities - total of 4°
 - Broad range of sealing options
 - Factory set clearance & lubrication
 - Hardened spring locking collar
 - Field interchangeable seals
- See Features & Benefits for additional info.

Bearing Dimensions

Size Code	Shaft Diameter	Part Number	B Distance Between Bolt Holes		L Mounting Surface to Cast Face	A	C	D	F Bolts	G	H	J	M	N	Approx. Weight		
			Square	Circle													
B424	1 7/16	EFRB22423H	3 1/2	4 61/64	2 31/32	3 11/16	4 5/8	2 7/8	1/2	1/16	1 3/8	4 1/32	2 5/16	6 1/16	8.00		
	35.00	EFRB224M35H	88.90	125.81	75.40	93.70	117.50	73.02	12.00	1.60	34.90	102.40	58.70	154.00	3.40		
B428	1 1/2	EFRB224B24H	4 1/8	5 53/64	3 9/32	4 1/4	5 3/8	3 1/8	1/2	1/8	1 7/16	4 9/32	2 19/32	7 7/32	11.00		
	1 3/8	EFRB22426H													10.00		
	40.00	EFRB224M40H	104.80	148.03	83.30	108.00	136.50	79.38	12.00	3.20	36.50	108.70	65.90	183.40	5.10		
B432	1 3/4	EFRB224B28H	4 3/8	6 3/16	3 9/32	4 1/2	5 5/8	3 1/8	1/2	1/8	1 7/16	4 5/16	2 7/8	7 5/16	11.00		
	1 15/16	EFRB22431H													10.00		
	2	EFRB22432H	45.00	EFRB224M45H	111.10	157.18	83.30	114.30	142.90	79.38	12.00	3.20	36.50	109.50	73.00	185.70	5.30
	50.00	EFRB224M50H	111.10	157.18	83.30	114.30	142.90	79.38	12.00	3.20	36.50	109.50	73.00	185.70	5.00		
B436	2 3/16	EFRB22435H	4 7/8	6 57/64	3 1/2	5	6 1/4	3 5/16	5/8	1/8	1 9/16	4 5/8	3 1/4	8 9/32	15.00		
	55.00	EFRB224M55H	123.80	175.03	88.90	127.00	158.80	84.14	16.00	3.20	39.70	117.50	82.60	210.30	7.10		
B440	2 1/4	EFRB224B36H	5 3/8	7 19/32	3 23/32	5 1/2	6 7/8	3 1/2	5/8	3/16	1 23/32	4 15/16	3 9/16	8 31/32	18.00		
	2 7/16	EFRB22439H													17.00		
	2 1/2	EFRB22440H	60.00	EFRB224M60H	136.50	192.89	94.50	139.70	174.60	88.90	16.00	4.80	43.70	125.40	90.50	227.80	7.90
	2 11/16	EFRB22443H	26.00														
B448	2 3/4	EFRB22444H	6	8 31/64	4 7/32	6 1/2	7 3/4	4	3/4	3/16	1 25/32	5 13/32	4 1/16	10 1/8	25.00		
	2 15/16	EFRB22447H													24.00		
	3	EFRB22448H	65.00	EFRB224M65H	152.40	215.49	107.20	165.10	196.90	101.60	20.00	4.80	45.20	137.30	103.20	257.20	11.50
	70.00	EFRB224M70H	111.00														
	75.00	EFRB224M75H	111.00														
B456	3 3/16	EFRB22451H	7	9 59/64	4 21/32	7 3/8	9 1/4	4 3/8	3/4	1/4	1 31/32	5 3/4	4 29/32	11 21/32	42.00		
	3 7/16	EFRB22455H													41.00		
	3 1/2	EFRB22456H	80.00	EFRB224M80H	177.80	251.23	118.30	187.30	235.00	111.12	20.00	6.40	50.00	146.00	124.60	296.10	18.90
	85.00	EFRB224M85H	118.30														
B464	3 11/16	EFRB22459H	7 3/4	10 61/64	5 15/32	8 7/8	9 3/4	5 1/16	7/8	1/4	2 7/32	6 5/8	5 5/8	12 31/32	58.00		
	3 15/16	EFRB22463H													56.00		
	4	EFRB22464H	90.00	EFRB224M90H	196.80	278.21	138.90	247.65	247.65	128.59	24.00	6.40	56.40	168.30	142.90	329.40	27.20
	100.00	EFRB224M100H	196.80														

Additional Notes

- Please call 1-866-REXNORD for availability
- Lubrication fitting tap size, 1/8 in PT
- H labyrinth seals standard
- All size codes available with type E lip seals & E7 triple lip seals
- For the Selection Guide, Load Ratings and Speed Limits, see the Link-Belt Spherical Roller Bearings Engineering section
- Note: Dimensions subject to change. Certified dimensions of ordered material furnished on request.

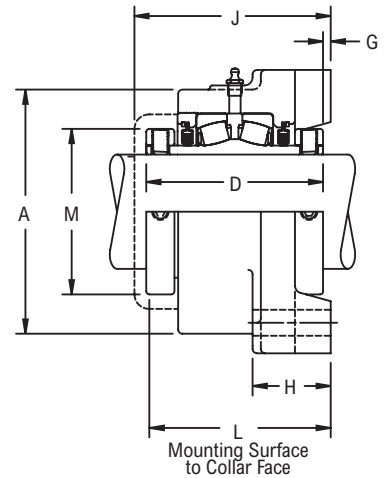
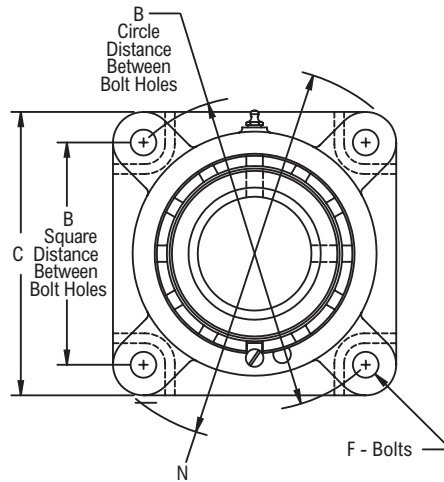
EFB22500



Photo Shows a 4-Bolt Spherical Roller Bearing Flanged Unit

Product Features

- Self aligning type E interchange
- Corrosion-resistant powder coating
- Cast iron housing
- Misalignment capabilities - total of 4°
- Broad range of sealing options
- Factory set clearance & lubrication
- Two hardened spring locking collars
- Field interchangeable seals
- See Features & Benefits for additional info.



Bearing Dimensions

Size Code	Shaft Diameter	Part Number	B Distance Between Bolt Holes		L Mounting Surface to Collar Face	A	C	D	F Bolts	G	H	J	M	N	Approx. Weight
			Square	Circle											
B524	1 7/16	EFB22523H	3 1/2	4 61/64	3 5/8	3 11/16	4 5/8	3 9/16	1/2	1/16	1 3/8	4 1/32	2 5/16	6 1/16	8.00
B528	1 11/16	EFB22527H	4 1/8	5 53/64	3 15/16	4 1/4	5 3/8	3 13/16	1/2	1/8	1 7/16	4 9/32	2 19/32	7 7/32	11.00
B531	1 15/16	EFB22531H	4 3/8	6 3/16	3 15/16	4 1/2	5 5/8	3 13/16	1/2	1/8	1 7/16	4 5/16	2 7/8	7 5/16	12.00
B536	2 3/16	EFB22535H	4 7/8	6 57/64	4 1/4	5	6 1/4	4 1/8	5/8	1/8	1 9/16	4 5/8	3 1/4	8 9/32	16.00
B540	2 7/16	EFB22539H	5 3/8	7 19/32	4 9/16	5 1/2	6 7/8	4 3/8	5/8	3/16	1 23/32	4 15/16	3 9/16	8 31/32	18.00
B548	2 11/16	EFB22543H	6	8 31/64	5 1/16	6 1/2	7 3/4	4 7/8	3/4	3/16	1 25/32	5 13/16	4 1/16	10 1/8	28.00
	2 15/16	EFB22547H													26.00
B556	3 7/16	EFB22555H	7	9 59/64	5 13/32	7 3/8	9 1/4	5 5/16	3/4	1/4	1 31/32	5 3/4	4 29/32	11 21/32	44.00
B564	3 15/16	EFB22563H	7 3/4	10 61/64	6 7/32	8 7/8	10 1/4	6 1/8	7/8	1/4	2 7/32	6 5/8	5 5/8	12 31/32	60.00
	4	EFB22564H													59.00

Additional Notes

- Please call 1-866-REXNORD for availability
- Lubrication fitting tap size, 1/8 in PT
- H labyrinth seals standard
- All size codes available with type E lip seals & E7 triple lip seals
- For the Selection Guide, Load Ratings and Speed Limits, see the Link-Belt Spherical Roller Bearings Engineering section
- Note: Dimensions subject to change. Certified dimensions of ordered material furnished on request.

EFB22600

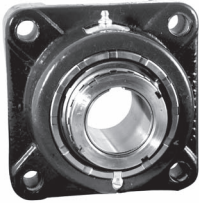
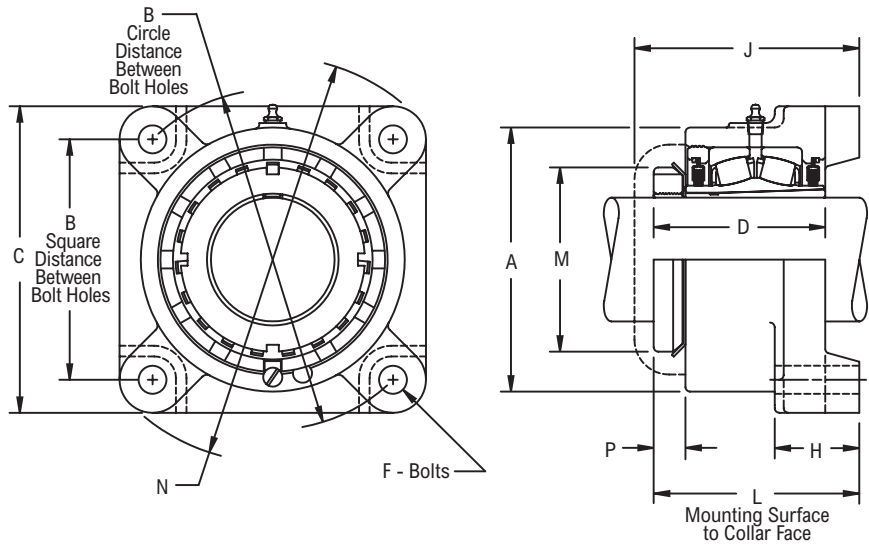


Photo Shows a 4-Bolt Spherical Roller Bearing Flanged Unit

Product Features

- Self aligning type E interchange
 - Corrosion-resistant powder coating
 - Cast iron housing
 - Misalignment capabilities - total of 4°
 - Broad range of sealing options
 - Factory set clearance & lubrication
 - Enhanced life mounting style
 - Field interchangeable seals
- See Features & Benefits for additional info.



Bearing Dimensions

Size Code	Shaft Diameter	Part Number	B Distance Between Bolt Holes		L Mounting Surface to Collar Face	A	C	D	F Bolts	H	J	M	N	P	Approx. Weight
			Square	Circle											
B624	1 7/16	EFB22623H	3 1/2	4 61/64	3 29/64	3 11/16	4 5/8	2.71	1/2	1 3/8	4 1/32	2 1/4	6 1/16	31/64	8.00
B631	1 15/16	EFB22631H	4 3/8	6 3/16	3 57/64	4 1/2	5 5/8	3.08	1/2	1 7/16	4 5/16	2 31/32	7 5/16	39/64	11.00
B635	2 3/16	EFB22635H	4 7/8	6 57/64	4 3/32	5	6 1/4	3.16	5/8	1 9/16	4 5/8	3 5/32	8 9/32	5/8	15.00
B639	2 7/16	EFB22639H	5 3/8	7 19/32	4 11/32	5 1/2	6 7/8	3.28	5/8	1 23/32	4 15/16	3 5/8	8 31/32	5/8	17.00
B647	2 11/16	EFB22643H	6	8 31/64	4 59/64	6 1/2	7 3/4	3.86	3/4	1 25/32	5 13/32	4 5/32	10 1/8	45/64	25.00
	2 15/16	EFB22647H													24.00
B655	3 7/16	EFB22655H	7	9 59/64	5 21/64	7 3/8	9 1/4	4.29	3/4	1 31/32	5 3/4	4 15/16	11 21/32	55/64	41.00
B663	3 15/16	EFB22663H	7 3/4	10 61/64	6 7/64	8 7/8	10 1/4	4.94	7/8	2 7/32	6 5/8	5 7/16	12 31/32	59/64	56.00

Additional Notes

- Please call 1-866-REXNORD for availability
- Lubrication fitting tap size, 1/8 in PT
- Dimensions for "D", "L" & "P" based on unmounted condition
- H labyrinth seals standard
- All size codes available with type E lip seals & E7 triple lip seals
- For the Selection Guide, Load Ratings and Speed Limits, see the Link-Belt Spherical Roller Bearings Engineering section
- Note: Dimensions subject to change. Certified dimensions of ordered material furnished on request.

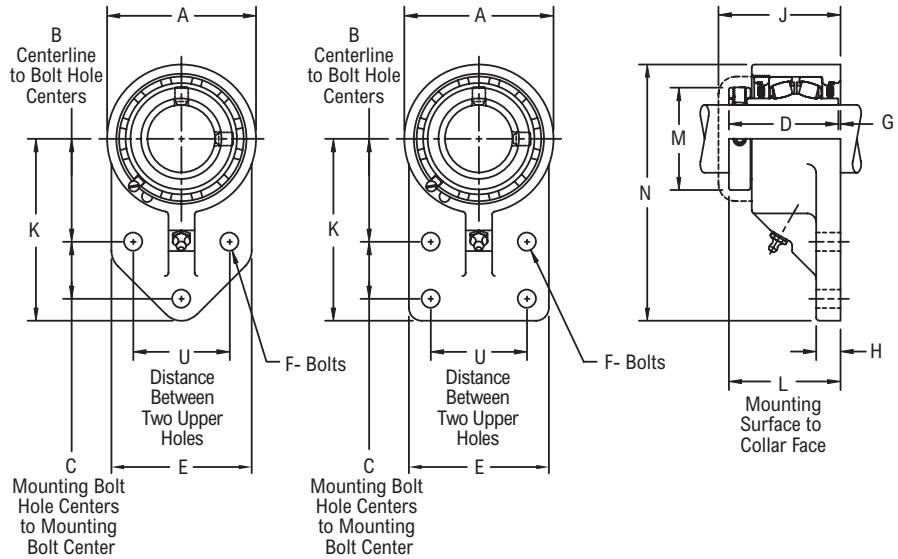
FBB22400



Photo Shows a 4-Bolt Spherical Roller Bearing Flanged Bracket Unit with High-Test Iron Housing

Product Features

- Corrosion-resistant powder coating
- High test iron housing
- Misalignment capabilities - total of 4°
- Broad range of sealing options
- Factory set clearance & lubrication
- Hardened spring locking collar
- Field interchangeable seals
- See Features & Benefits for additional info.



Bearing Dimensions

Size Code	Shaft Diameter	Part Number	B Centerline to Bolt Hole Centers	C Mounting Bolt Hole Centers to Mounting Bolt Center	L Mounting Surface to Collar Face	U Distance Between Two Upper Holes	A	D	E	F	G	H	J	K	M	N	Approx. Weight														
3-Bolt																															
B424	1 7/16	FBB22423H	2 3/8	1 1/4	2 29/32	2	3 7/16	2 7/8	3 1/4	1/2	1/32	5/8	3 5/16	4 1/4	2 5/16	5 31/32	6.40														
	1 1/2	FBB22424H															2.90														
	35.00	FBB224M35H	60.30	31.80	73.80	50.80	87.30	73.02	82.60	12.00	0.80	15.90	84.10	108.00	58.70	151.60	2.90														
B432	1 15/16	FBB22431H	2 15/16	1 5/8	3 3/16	2 3/4	4 1/4	3 1/8	4	1/2	1/16	11/16	3 9/16	5 3/16	2 7/8	7 5/16	10.00														
	2	FBB22432H															4.40														
	45.00	FBB224M45H															74.60	41.30	81.00	69.80	108.00	79.38	101.60	12.00	1.60	17.50	90.50	131.80	73.00	185.70	4.30
	50.00	FBB224M50H															4.30														
4-Bolt																															
B440	2 7/16	FBB22439H	3 3/4	1 3/4	3 19/32	3	5 3/8	3 1/2	4 7/8	5/8	3/32	3/4	3 31/32	6 1/4	3 9/16	8 15/16	17.50														
	2 1/2	FBB22440H															8.10														
	60.00	FBB224M60H															95.20	44.40	91.30	76.20	136.50	88.90	123.80	16.00	2.40	19.00	100.80	158.80	90.50	227.00	
B448	2 11/16	FBB22443H	3 7/8	2 1/4	4 3/32	4	6 1/4	4	5 3/4	3/4	3/32	7/8	4 7/16	7	4 1/16	10 1/8	30.00														
	2 3/4	FBB22444H															28.00														
	2 15/16	FBB22447H															13.70														
	3	FBB22448H															13.50														
	65.00	FBB224M65H															98.40	57.20	104.00	101.60	158.80	101.60	146.00	20.00	2.40	22.20	112.70	177.80	103.20	257.20	
	70.00	FBB224M70H															13.50														
75.00	FBB224M75H	12.80																													

Additional Notes

- Please call 1-866-REXNORD for availability
- Lubrication fitting tap size: for size code B424, 1/4 in-28 UNF; for all other size codes, 1/8 in PT
- H labyrinth seals standard
- All size codes available with type E lip seals & E7 triple lip seals
- For the Selection Guide, Load Ratings and Speed Limits, see the Link-Belt Spherical Roller Bearings Engineering section
- Note: Dimensions subject to change. Certified dimensions of ordered material furnished on request.

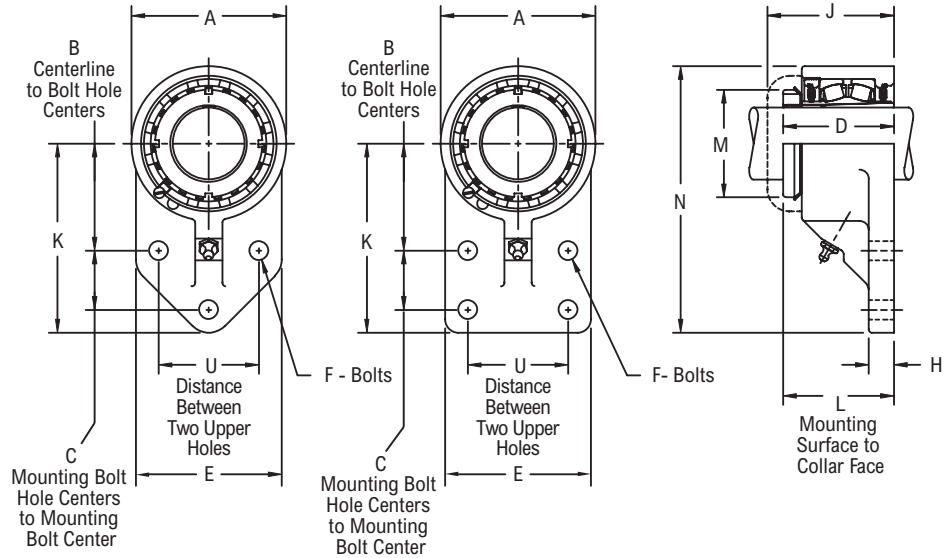
FBB22600



Photo Shows a 4-Bolt Spherical Roller Bearing Flanged Bracket Unit with High-Test Iron Housing

Product Features

- Corrosion-resistant powder coating
- High test iron housing
- Misalignment capabilities - total of 4°
- Broad range of sealing options
- Factory set clearance & lubrication
- Enhanced life mounting style
- Field interchangeable seals
- See Features & Benefits for additional info.



Bearing Dimensions

Size Code	Shaft Diameter	Part Number	B Centerline to Bolt Hole Centers	C Mounting Bolt Hole Centers to Mounting Bolt Center	L Mounting Surface to Collar Face	U Distance Between Two Upper Holes	A	D	E	F	H	J	K	M	N	Approx. Weight
3-Bolt																
B624	1 7/16	FBB22623H	2 3/8	1 1/4	2 3/4	2	3 7/16	2.71	3 1/4	1/2	5/8	3 5/16	4 1/4	2 1/4	5 31/32	6.40
B631	1 15/16	FBB22631H	2 15/16	1 5/8	3 9/64	2 3/4	4 1/4	3.08	4	1/2	11/16	3 9/16	5 3/16	2 31/32	7 5/16	10.00
4-Bolt																
B639	2 7/16	FBB22639H	3 3/4	1 3/4	3 3/8	3	5 3/8	3.16	4 7/8	5/8	3/4	3 31/32	6 1/4	3 5/32	8 15/16	17.50
B647	2 11/16	FBB22643H	3 7/8	2 1/4	3 61/64	4	6 1/4	3.28	5 3/4	3/4	7/8	4 7/16	7	3 5/8	10 1/8	30.00
	2 15/16	FBB22647H														28.00

Additional Notes

- Please call 1-866-REXNORD for availability
- Lubrication fitting tap size: for size code B624, 1/4 in-28 UNF; for all other size codes, 1/8 in PT
- Dimensions for "D" & "L" based on unmounted condition
- H labyrinth seals standard
- All size codes available with type E lip seals & E7 triple lip seals
- For the Selection Guide, Load Ratings and Speed Limits, see the Link-Belt Spherical Roller Bearings Engineering section

Note: Dimensions subject to change. Certified dimensions of ordered material furnished on request.

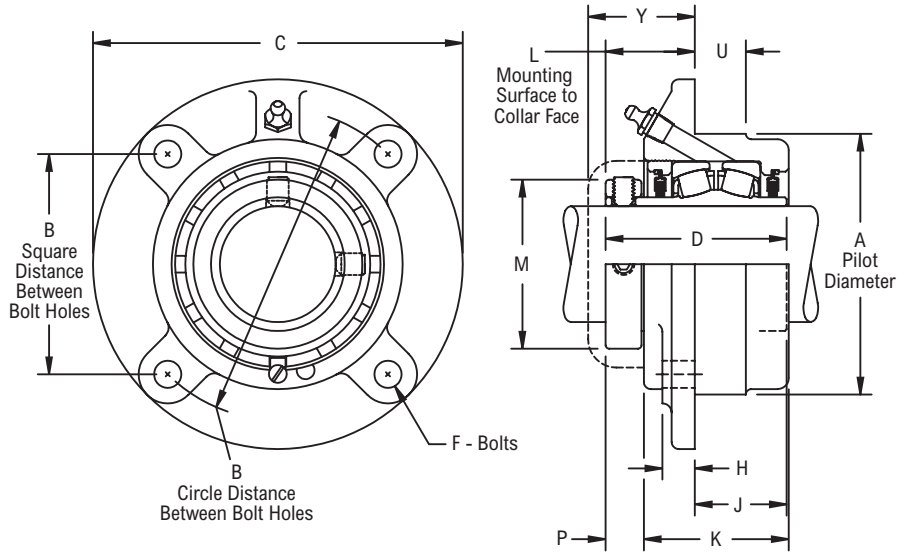
FCB22400



Photo Shows a 4-Bolt Spherical Roller Bearing Flanged Cartridge Unit

Product Features

- Self aligning type E interchange
- Corrosion-resistant powder coating
- Cast iron housing
- Misalignment capabilities - total of 4°
- Broad range of sealing options
- Factory set clearance & lubrication
- Hardened spring locking collar
- Field interchangeable seals
- See Features & Benefits for additional info.



Bearing Dimensions

Size Code	Shaft Diameter	Part Number	A Pilot Diameter	B Distance Between Bolt Holes		L Mounting Surface to Collar Face	C	D	F Bolts	H	J	K	M	P	U	Y	Approx. Weight	
				Square	Circle													
4-Bolt																		
B416	1	FCB22416H	3.000	2 9/16	3 5/8	1 9/32	4 3/8	2 9/16	5/16	7/16	1 1/4	2	1 3/4	17/32	5/8	1 5/8	4.00	
	25.00	FCB224M25H	76.200	65.10	92.08	32.50	111.10	65.09	8.00	11.10	31.80	50.80	44.40	13.50	15.90	41.30	1.60	
B420	1 3/16	FCB22419H	3.375	2 59/64	4 1/8	1 9/32	5	2 11/16	3/8	7/16	1 3/8	2 1/4	1 31/32	17/32	3/4	1 5/8	5.00	
	1 1/4	FCB22420H																
	30.00	FCB224M30H	85.720	74.20	104.78	32.50	127.00	68.26	10.00	11.10	34.90	57.20	50.00	13.50	19.00	41.30	2.20	
B424	1 7/16	FCB22423H	3.625	3 3/32	4 3/8	1 15/32	5 1/4	2 7/8	3/8	1/2	1 3/8	2 3/16	2 5/16	21/32	3/4	1 7/8	6.00	
	1 1/2	FCB22424H																
	35.00	FCB224M35H	92.080	78.60	111.12	37.30	133.40	73.02	10.00	12.70	34.90	55.60	58.70	16.70	19.00	47.60	2.60	
B428	1 5/8	FCB22426H	4.250	3 5/8	5 1/8	1 17/32	6 1/8	3 1/8	7/16	1/2	1 17/32	2 7/16	2 19/32	21/32	7/8	1 7/8	9.00	
	1 11/16	FCB22427H																
	1 3/4	FCB22428H																
	40.00	FCB224M40H	107.950	92.10	130.18	38.90	155.60	79.38	10.00	12.70	38.90	61.90	65.90	16.70	22.20	47.60	3.80	
B432	1 15/16	FCB22431H	4.500	3 51/64	5 3/8	1 17/32	6 3/8	3 1/8	7/16	9/16	1 9/16	2 7/16	2 7/8	21/32	7/8	1 29/32	9.00	
	2	FCB22432H																
	45.00	FCB224M45H																
	50.00	FCB224M50H	114.300	96.40	136.52	38.90	161.90	79.38	10.00	14.30	39.70	61.90	73.00	16.70	22.20	48.40	4.00	
																	4.30	
B436	2 3/16	FCB22435H	5.000	4 1/4	6	1 21/32	7 1/8	3 5/16	1/2	9/16	1 9/16	2 1/2	3 1/4	25/32	1	2 1/32	12.00	
	2 1/4	FCB22436H																
	55.00	FCB224M55H	127.000	107.90	152.40	42.10	181.00	84.14	12.00	14.30	39.70	63.50	82.60	19.80	25.40	51.60	5.60	
B440	2 7/16	FCB22439H	5.500	4 19/32	6 1/2	1 13/16	7 5/8	3 1/2	1/2	5/8	1 11/16	2 5/8	3 9/16	7/8	1	2 5/32	16.00	
	2 1/2	FCB22440H																
	60.00	FCB224M60H	139.700	116.70	165.10	46.00	193.70	88.90	12.00	15.90	42.90	66.70	90.50	22.20	25.40	54.80	7.20	
B448	2 11/16	FCB22443H	6.375	5 19/64	7 1/2	1 31/32	8 3/4	4	5/8	3/4	2	3 1/8	4 1/16	27/32	1 1/4	2 5/16	25.00	
	2 3/4	FCB22444H																
	2 15/16	FCB22447H																
	3	FCB22448H																
	65.00	FCB224M65H																
70.00	FCB224M70H	161.920	134.50	190.50	50.00	222.20	101.60	16.00	19.00	50.80	79.40	103.20	21.40	31.80	58.70	11.60		
	75.00	FCB224M75H															11.40	
																		11.00
B456	3 3/16	FCB22451H	7.375	6 3/32	8 5/8	2 7/16	10 1/4	4 3/8	3/4	15/16	2	3 7/16	4 29/32	15/16	1 1/4	2 25/32	38.00	
	3 7/16	FCB22455H																
	3 1/2	FCB22456H																
	80.00	FCB224M80H																
	85.00	FCB224M85H	187.320	154.80	219.08	61.90	260.40	111.12	20.00	23.80	50.80	87.30	124.60	23.80	31.80	70.60	17.40	
																		16.90

Continued...

Continued...

Bearing Dimensions

Size Code	Shaft Diameter	Part Number	A Pilot Diameter	B Distance Between Bolt Holes		L Mounting Surface to Collar Face	C	D	F Bolts	H	J	K	M	P	U	Y	Approx. Weight
				Square	Circle												
4-Bolt (continued)																	
B464	3 ¹¹ / ₁₆	FCB22459H	8.125	6 ⁵ / ₈	9 ³ / ₈	2 ²¹ / ₃₂	10 ⁷ / ₈	5 ³ / ₁₆	¾	1 ½	2 ½	4 ⅛	5 ⁵ / ₈	1 ¹ / ₃₂	1 ½	3 ¹ / ₁₆	52.00
	3 ¹⁵ / ₁₆	FCB22463H															50.00
	4	FCB22464H															
	90.00	<i>FCB224M90H</i>	206.380	168.30	238.12	67.50	276.20	131.76	20.00	28.60	63.50	104.80	142.90	26.20	38.10	77.80	24.60
100.00	<i>FCB224M100H</i>																22.80

Additional Notes

Please call 1-866-REXNORD for availability
 Lubrication fitting tap size: for size code B416, 1/4 in-28 UNF; for all other size codes, 1/8 in PT
 Pilot Diameter tolerance, +.000 in/-.002 in (+0.00 mm/-0.05 mm)
 Bore tolerance for mounting, +.002 in/-.000 in (+0.05 mm/-0.00 mm)
 H labyrinth seals standard
 All size codes available with type E lip seals, except E7 in size code B416

For the Selection Guide, Load Ratings and Speed Limits, see the Link-Belt Spherical Roller Bearings Engineering section
 Note: Dimensions subject to change. Certified dimensions of ordered material furnished on request.

FCB22600

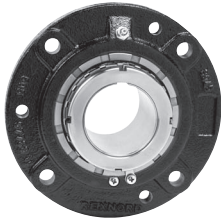
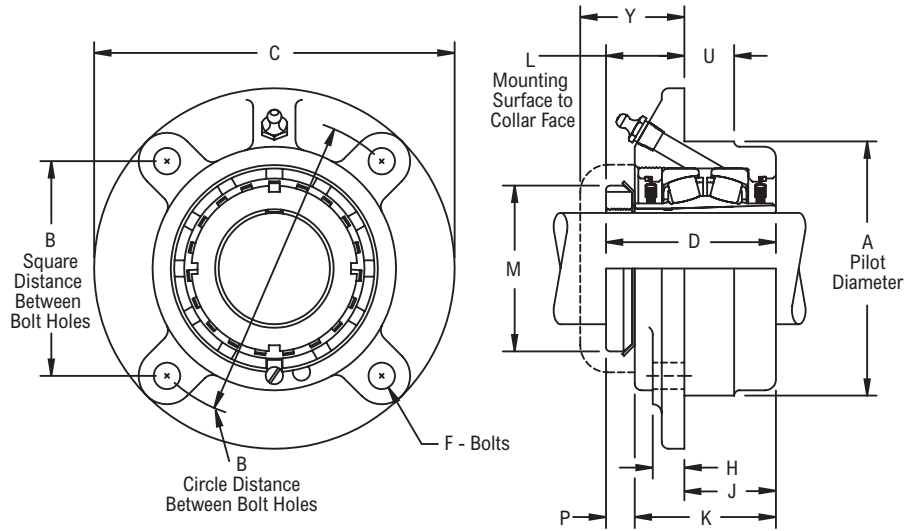


Photo Shows a 4-Bolt Spherical Roller Bearing Flanged Cartridge Unit

Product Features

- Self aligning type E interchange
- Corrosion-resistant powder coating
- Cast iron housing
- Misalignment capabilities - total of 4°
- Broad range of sealing options
- Factory set clearance & lubrication
- Enhanced life mounting style
- Field interchangeable seals
- See Features & Benefits for additional info.



Bearing Dimensions

Size Code	Shaft Diameter	Part Number	A Pilot Diameter	B Distance Between Bolt Holes		L Mounting Surface to Collar Face	C	D	F Bolts	H	J	K	M	P	U	Y	Approx. Weight
				Square	Circle												
4-Bolt																	
B624	1 7/16	FCB22623H	3.625	3 3/32	4 3/8	1 17/64	5 1/4	2.71	3/8	1/2	1 3/8	2 3/16	2 1/4	29/64	3/4	1 7/8	6.00
B631	1 15/16	FCB22631H	4.500	3 51/64	5 3/8	1 31/64	6 3/8	3.08	7/16	9/16	1 9/16	2 7/16	2 31/32	39/64	7/8	1 29/32	9.00
B635	2 3/16	FCB22635H	5.000	4 1/4	6	1 1/2	7 1/8	3.16	1/2	9/16	1 9/16	2 1/2	3 5/32	5/8	1	2 1/32	12.00
B639	2 7/16	FCB22639H	5.500	4 19/32	6 1/2	1 19/32	7 5/8	3.28	1/2	5/8	1 11/16	2 5/8	3 5/8	41/64	1	2 5/32	16.00
B647	2 11/16	FCB22643H	6.375	5 19/64	7 1/2	1 53/64	8 3/4	3.86	5/8	3/4	2	3 1/8	4 5/32	45/64	1 1/4	2 5/16	25.00
	2 15/16	FCB22647H															24.00
B655	3 7/16	FCB22655H	7.375	6 3/32	8 5/8	2 25/64	10 1/4	4.29	3/4	15/16	2	3 7/16	4 15/16	57/64	1 1/4	2 25/32	37.00
B663	3 15/16	FCB22663H	8.125	6 5/8	9 3/8	2 17/32	10 7/8	4.94	3/4	1 1/8	2 1/2	4 1/8	5 7/16	59/64	2	3 1/16	50.00

Additional Notes

- Please call 1-866-REXNORD for availability
- Lubrication fitting tap size, 1/8 in PT
- Dimensions for "D", "L" & "P" based on unmounted condition
- Pilot Diameter tolerance, +.000 in/-0.002 in (**+0.00 mm/-0.05 mm**)
- Bore tolerance for mounting, +.002 in/-0.000 in (**+0.05 mm/-0.00 mm**)
- H labyrinth seals standard
- All size codes available with type E lip seals & E7 triple lip seals

For the Selection Guide, Load Ratings and Speed Limits, see the Link-Belt Spherical Roller Bearings Engineering section

Note: Dimensions subject to change. Certified dimensions of ordered material furnished on request.

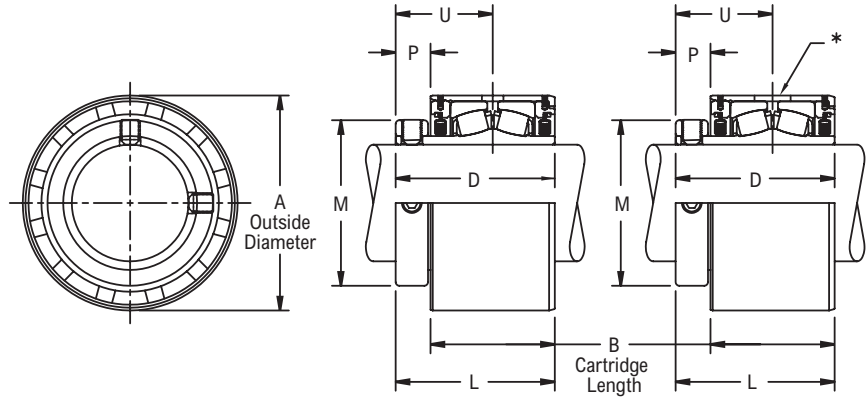
CSEB22400



Photo Shows a Spherical Roller Bearing Cartridge Unit with Steel Housing

Product Features

- Steel housing
- Misalignment capabilities - total of 4°
- Broad range of sealing options
- Factory set clearance & lubrication
- Hardened spring locking collar
- Field interchangeable seals
- See Features & Benefits for additional info.



Bearing Dimensions

Size Code	Shaft Diameter	Part Number	A Outside Diameter	B Cartridge Length	D	L	M	P	U	Approx. Weight
B416	1	CSEB22416H	2.6650	2	2 ⁹ / ₁₆	2 ⁹ / ₁₆	1 ³ / ₄	⁹ / ₁₆	1 ⁹ / ₁₆	3.00
	25.00	CSEB224M25H	67.6900	50.800	65.09	65.10	44.40	14.30	39.70	1.30
B420	1 ³ / ₁₆	CSEB22419H	2.9150	2 ¹ / ₈	2 ¹¹ / ₁₆	2 ¹¹ / ₁₆	1 ³¹ / ₃₂	⁹ / ₁₆	1 ⁵ / ₈	4.00
	1 ¹ / ₄	CSEB22420H								
B424	30.00	CSEB224M30H	74.0400	53.980	68.26	68.30	50.00	14.30	41.30	1.70
	1 ⁷ / ₁₆	CSEB22423H	3.1240	2 ³ / ₁₆	2 ⁷ / ₈	2 ⁷ / ₈	2 ⁵ / ₁₆	¹¹ / ₁₆	1 ²⁵ / ₃₂	4.00
1 ¹ / ₂	CSEB22424H									
B428	35.00	CSEB224M35H	79.3500	55.560	73.02	73.00	58.70	17.50	45.20	1.80
	1 ⁵ / ₈	CSEB22426H	3.6360	2 ⁷ / ₁₆	3 ¹ / ₈	3 ¹ / ₈	2 ¹⁹ / ₃₂	¹¹ / ₁₆	1 ²⁹ / ₃₂	6.00
1 ¹¹ / ₁₆	CSEB22427H									
B432	40.00	CSEB224M40H	92.3500	61.910	79.38	79.40	65.90	17.50	48.40	2.50
	1 ¹⁵ / ₁₆	CSEB22431H	3.8330	2 ²⁵ / ₆₄	3 ¹ / ₈	3 ¹ / ₈	2 ⁷ / ₈	²³ / ₃₂	1 ²⁹ / ₃₂	6.00
2	CSEB22432H									
B436	45.00	CSEB224M45H	97.3600	60.720	79.38	79.40	73.00	18.30	48.40	2.60
	50.00	CSEB224M50H	97.3600	60.720	79.38	79.40	73.00	18.30	48.40	2.30
B440	2 ³ / ₁₆	CSEB22435H	4.2270	2 ¹ / ₂	3 ⁵ / ₁₆	3 ⁵ / ₁₆	3 ¹ / ₄	¹³ / ₁₆	2 ¹ / ₁₆	7.00
	2 ¹ / ₄	CSEB22436H								
B448	55.00	CSEB224M55H	107.3600	63.500	84.14	84.10	82.60	20.60	52.40	3.20
	2 ¹ / ₄	CSEB224B36H	4.6210	2 ⁵ / ₈	3 ¹ / ₂	3 ¹ / ₂	3 ⁹ / ₁₆	⁷ / ₈	2 ³ / ₁₆	8.00
2 ⁷ / ₁₆	CSEB22439H									
B456	2 ¹ / ₂	CSEB22440H	5.4070	3 ¹ / ₈	4	4	4 ¹ / ₁₆	⁷ / ₈	2 ⁷ / ₁₆	13.00
	60.00	CSEB224M60H								
B448	65.00	CSEB224M65H	117.3700	66.680	88.90	88.90	90.50	22.20	55.60	3.90
	2 ¹¹ / ₁₆	CSEB22443H	5.4070	3 ¹ / ₈	4	4	4 ¹ / ₁₆	⁷ / ₈	2 ⁷ / ₁₆	14.00
2 ³ / ₄	CSEB22444H									
B456	2 ¹⁵ / ₁₆	CSEB22447H	5.4070	3 ¹ / ₈	4	4	4 ¹ / ₁₆	⁷ / ₈	2 ⁷ / ₁₆	13.00
	3	CSEB22448H								
B456	70.00	CSEB224M70H	137.2616	79.380	101.60	101.60	103.20	22.20	61.90	6.60
	75.00	CSEB224M75H	137.2616	79.380	101.60	101.60	103.20	22.20	61.90	6.40
B456	3 ³ / ₁₆	CSEB22451H	6.1940	3 ⁷ / ₁₆	4 ³ / ₈	4 ³ / ₈	4 ²⁹ / ₃₂	¹⁵ / ₁₆	2 ²¹ / ₃₂	20.00
	3 ⁷ / ₁₆	CSEB22455H								
B456	3 ¹ / ₂	CSEB22456H	6.1940	3 ⁷ / ₁₆	4 ³ / ₈	4 ³ / ₈	4 ²⁹ / ₃₂	¹⁵ / ₁₆	2 ²¹ / ₃₂	18.00
	80.00	CSEB224M80H								
			157.3300	87.310	111.12	111.10	124.60	23.80	67.50	9.00

Continued...

Continued...

Bearing Dimensions

Size Code	Shaft Diameter	Part Number	A Outside Diameter	B Cartridge Length	D	L	M	P	U	Approx. Weight
B456	85.00	CSEB224M85H	157.3300	87.310	111.12	111.10	124.60	23.80	67.50	8.60
B464	3 11/16	CSEB22459H	7.3750	4	5 1/16	5 1/16	5 5/8	1 1/16	3 1/16	33.00
	3 15/16	CSEB22463H								31.00
	4	CSEB22464H								
	90.00	CSEB224M90H	187.3200	101.600	128.59	128.60	142.90	27.00	77.80	15.90
	100.00	CSEB224M100H								14.10

Additional Notes

Please call 1-866-REXNORD for availability
 O.D. tolerance, +.000 in/-.002 in (+0.00 mm/-0.05 mm)
 Bore tolerance for mounting, +.002 in/-.000 in (+0.05 mm/-0.00 mm)
 Expansion - is 3/8 in for all size codes
 *Expansion plug diameter .531 in (13.49 mm), engagement depth .125 in +/- .015 in (3.18 mm +/- 0.38 mm)
 Hole for fixed location & slot for expansion location in the same housing
 H labyrinth seals standard

All size codes available with type E lip seals, except E7 in size code B416
 For the Selection Guide, Load Ratings and Speed Limits, see the Link-Belt Spherical Roller Bearings Engineering section
 Note: Dimensions subject to change. Certified dimensions of ordered material furnished on request.

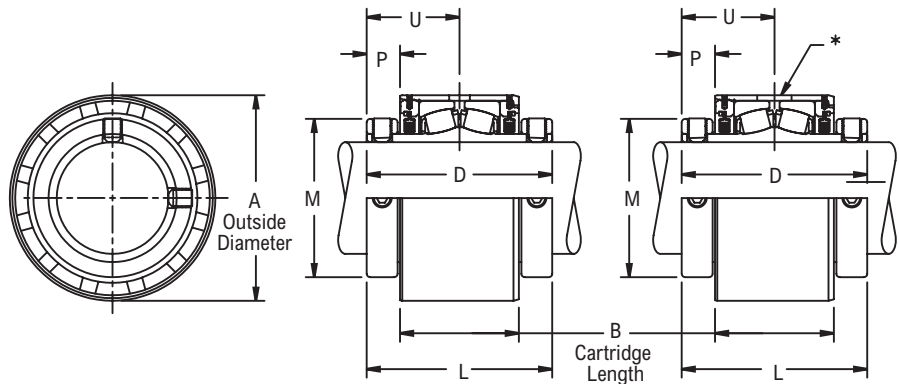
CSEB22500



Photo Shows a Spherical Roller Bearing Cartridge Unit with Steel Housing

Product Features

- Steel housing
- Misalignment capabilities - total of 4°
- Broad range of sealing options
- Factory set clearance & lubrication
- Two hardened spring locking collars
- Field interchangeable seals
- See Features & Benefits for additional info.



Bearing Dimensions

Size Code	Shaft Diameter	Part Number	A Outside Diameter	B Cartridge Length	D	L	M	P	U	Approx. Weight
B524	1 7/16	CSEB22523H	3.1240	2 3/16	3 9/16	3 9/16	2 5/16	11/16	1 25/32	4.20
B528	1 11/16	CSEB22527H	3.6360	2 7/16	3 13/16	3 13/16	2 19/32	11/16	1 29/32	5.60
B531	1 15/16	CSEB22531H	3.8330	2 25/64	3 13/16	3 13/16	2 7/8	11/16	1 29/32	6.10
B536	2	CSEB22532H	4.2270	2 1/2	4 1/8	4 1/8	3 1/4	13/16	2 1/16	9.00
	2 3/16	CSEB22535H								
B540	2 7/16	CSEB22539H	4.6210	2 5/8	4 3/8	4 3/8	3 9/16	7/8	2 3/16	10.10
B548	2 11/16	CSEB22543H	5.4070	3 1/8	4 7/8	4 7/8	4 1/16	7/8	2 7/16	16.40
	2 15/16	CSEB22547H								15.30
B556	3 7/16	CSEB22555H	6.1940	3 7/16	5 5/16	5 5/16	4 29/32	15/16	2 21/32	21.10
B564	3 15/16	CSEB22563H	7.3750	4	6 1/8	6 1/8	5 5/8	1 1/16	3 1/16	36.10
	4	CSEB22564H								35.60
B572	4 3/16	CSEB22567YH	7.9670	4 1/4	6 1/4	6 1/4	6 3/16	1	3 1/8	52.80
	4 7/16	CSEB22571YH								50.60
	4 1/2	CSEB22572YH								49.90
	110.00	CSEB225M110YH								22.80
	115.00	CSEB225M115YH								22.50
B580	4 15/16	CSEB22579YH	9.3427	5 9/16	7 7/8	7 7/8	7 1/16	1 5/32	3 15/16	55.30
	5	CSEB22580YH								54.70
	125.00	CSEB225M125YH								24.60

Additional Notes

- Please call 1-866-REXNORD for availability
- O.D. tolerance, for size codes B564 and smaller +.000 in/-.002 in (+0.00 mm/-0.05 mm); for all other size codes +.000 in/-.003 in (+0.00 mm/-0.08 mm)
- Bore tolerance for mounting, +.002 in/-.000 in (+0.05 mm/-0.00 mm)
- Expansion - is 3/8 in for all size codes
- *Expansion plug diameter .531 in (13.49 mm), engagement depth .125 in +/- .015 in (3.18 mm +/- 0.38 mm)
- Hole for fixed location & slot for expansion location in the same housing

- H labyrinth seals standard
- All size codes available with type E lip seals & E7 triple lip seals
- For the Selection Guide, Load Ratings and Speed Limits, see the Link-Belt Spherical Roller Bearings Engineering section
- Note: Dimensions subject to change. Certified dimensions of ordered material furnished on request.

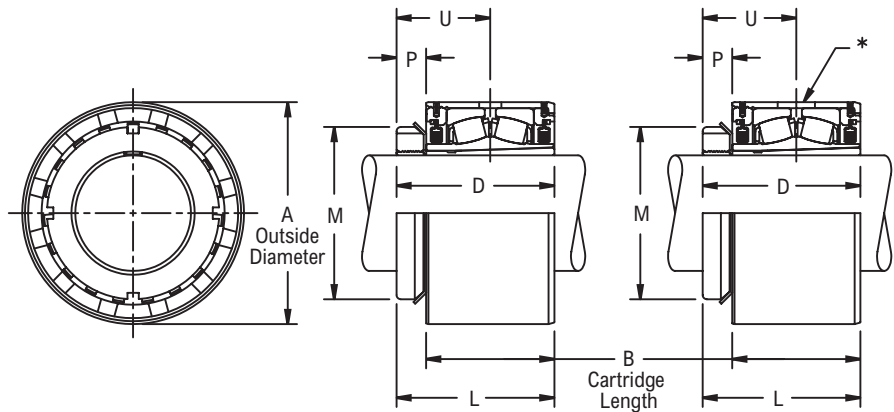
CSEB22600



Photo Shows a Spherical Roller Bearing Cartridge Unit with Steel Housing

Product Features

- Steel housing
- Misalignment capabilities - total of 4°
- Broad range of sealing options
- Factory set clearance & lubrication
- Enhanced life mounting style
- Field interchangeable seals
- See Features & Benefits for additional info.



Bearing Dimensions

Size Code	Shaft Diameter	Part Number	A Outside Diameter	B Cartridge Length	D	L	M	P	U	Approx. Weight
B624	1 7/16	CSEB22623H	3.1240	2 3/16	2.71	2 3/4	2 1/4	1/2	1 39/64	4.00
B631	1 15/16	CSEB22631H	3.8330	2 26/64	3.08	3 1/16	2 31/32	39/64	1 55/64	5.00
B635	2 3/16	CSEB22635H	4.2270	2 1/2	3.16	3 5/32	3 5/32	5/8	1 29/32	7.00
B639	2 7/16	CSEB22639H	4.6210	2 5/8	3.28	3 19/64	3 5/8	45/64	1 31/32	8.00
B647	2 11/16	CSEB22643H	5.4070	3 1/8	3.86	3 7/8	4 5/32	55/64	2 19/64	14.00
	2 15/16	CSEB22647H								13.00
B655	3 7/16	CSEB22655H	6.1940	3 7/16	4.29	4 5/16	4 15/16	7/8	2 37/64	18.00
B663	3 15/16	CSEB22663H	7.3750	4	4.94	4 15/16	5 7/16	15/16	2 15/16	31.00

Additional Notes

- Please call 1-866-REXNORD for availability
- O.D. tolerance, +.000 in/-.002 in (**+0.00 mm/-0.05 mm**)
- Bore tolerance for mounting, +.002 in/-.000 in (**+0.05 mm/-0.00 mm**)
- Expansion - is 3/8 in for all size codes
- *Expansion plug diameter .531 in (**13.49 mm**), engagement depth .125 in +/- .015 in (**3.18 mm +/- 0.38 mm**)
- Hole for fixed location & slot for expansion location in the same housing
- Dimensions for "D", "P" & "U" based on unmounted condition

- H labyrinth seals standard
- All size codes available with type E lip seals & E7 triple lip seals
- For the Selection Guide, Load Ratings and Speed Limits, see the Link-Belt Spherical Roller Bearings Engineering section
- Note: Dimensions subject to change. Certified dimensions of ordered material furnished on request.

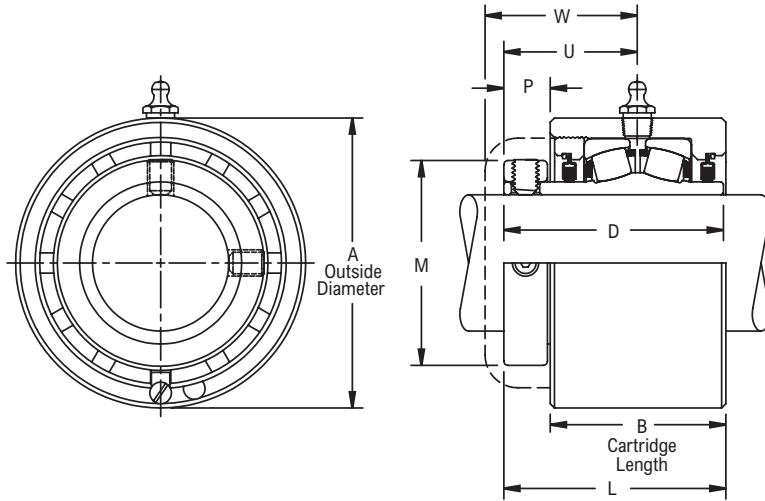
CB22400



Photo Shows a Spherical Roller Bearing Cartridge Unit with Cast Iron Housing

Product Features

- Corrosion resistant powder coating
- Cast iron housing
- Misalignment capabilities - total of 4°
- Broad range of sealing options
- Factory set clearance & lubrication
- Hardened spring locking collar
- Field interchangeable seals
- See Features & Benefits for additional info.



Bearing Dimensions

Size Code	Shaft Diameter	Part Number	A Outside Diameter	B Cartridge Length	D	L	M	P	U	W	Approx. Weight											
B416	1	CB22416H	3.0000	2	2 ⁹ / ₁₆	2 ¹⁹ / ₃₂	1 ³ / ₄	¹⁷ / ₃₂	1 ⁹ / ₁₆	1 ²⁹ / ₃₂	3.00											
	25.00	CB224M25H	76.2000	50.800	65.09	65.90	44.40	13.50	39.70	48.40	1.40											
B420	1 ³ / ₁₆	CB22419H	3.2190	2 ¹ / ₈	2 ¹¹ / ₁₆	2 ²³ / ₃₂	1 ³¹ / ₃₂	¹⁷ / ₃₂	1 ⁵ / ₈	1 ³¹ / ₃₂	4.00											
	1 ¹ / ₄	CB22420H										30.00	CB224M30H	81.7600	53.980	68.26	69.00	50.00	13.50	41.30	50.00	1.70
B424	1 ⁷ / ₁₆	CB22423H	3.4370	2 ³ / ₁₆	2 ⁷ / ₈	2 ²⁹ / ₃₂	2 ⁵ / ₁₆	²¹ / ₃₂	1 ²⁵ / ₃₂	2 ³ / ₁₆	4.00											
	1 ¹ / ₂	CB22424H										35.00	CB224M35H	87.3000	55.560	73.02	73.80	58.70	16.70	45.20	55.60	2.10
B428	1 ⁵ / ₈	CB22426H	3.9370	2 ⁷ / ₁₆	3 ¹ / ₈	3 ⁵ / ₃₂	2 ¹⁹ / ₃₂	²¹ / ₃₂	1 ²⁹ / ₃₂	2 ¹ / ₄	6.00											
	1 ¹¹ / ₁₆	CB22427H										40.00	CB224M40H	100.0000	61.910	79.38	80.20	65.90	16.70	48.40	57.20	2.90
	1 ³ / ₄	CB22428H										45.00	CB224M45H	104.7800	61.910	79.38	80.20	73.00	16.70	48.40	57.90	3.10
B432	1 ¹⁵ / ₁₆	CB22431H	4.1250	2 ⁷ / ₁₆	3 ¹ / ₈	3 ⁵ / ₃₂	2 ⁷ / ₈	²¹ / ₃₂	1 ²⁹ / ₃₂	2 ⁹ / ₃₂	6.00											
	2	CB22432H										50.00	CB224M50H	104.7800	61.910	79.38	80.20	73.00	16.70	48.40	57.90	3.00
	2 ³ / ₁₆	CB22435H										55.00	CB224M55H	115.0900	65.090	84.14	84.90	82.60	19.80	52.40	61.90	3.80
B436	2 ¹ / ₄	CB22436H	4.5310	2 ⁹ / ₁₆	3 ⁵ / ₁₆	3 ¹¹ / ₃₂	3 ¹ / ₄	²⁵ / ₃₂	2 ¹ / ₁₆	2 ⁷ / ₁₆	8.00											
	55.00	CB224M55H										115.0900	65.090	84.14	84.90	82.60	19.80	52.40	61.90	3.80		
B440	2 ⁷ / ₁₆	CB22439H	5.0000	2 ⁵ / ₈	3 ¹ / ₂	3 ¹⁷ / ₃₂	3 ⁹ / ₁₆	²⁷ / ₃₂	2 ³ / ₁₆	2 ⁹ / ₁₆	10.00											
	2 ¹ / ₂	CB22440H										60.00	CB224M60H	127.0000	66.680	88.90	89.70	90.50	21.40	55.60	65.10	4.80
B448	2 ¹¹ / ₁₆	CB22443H	5.8750	3 ¹ / ₈	4	4 ¹ / ₃₂	4 ¹ / ₁₆	²⁷ / ₃₂	2 ⁷ / ₁₆	2 ²⁵ / ₃₂	18.00											
	2 ³ / ₄	CB22444H										17.00										
	2 ¹⁵ / ₁₆	CB22447H										16.00										
	3	CB22448H										65.00	CB224M65H	149.2200	79.380	101.60	102.40	103.20	21.40	61.90	70.60	8.10
	70.00	CB224M70H										7.80										
75.00	CB224M75H	7.80																				
B456	3 ³ / ₁₆	CB22451H	6.7500	3 ⁷ / ₁₆	4 ³ / ₈	4 ³ / ₈	4 ²⁹ / ₃₂	¹⁵ / ₁₆	2 ²¹ / ₃₂	3	25.00											
	3 ⁷ / ₁₆	CB22455H										23.00										
	3 ¹ / ₂	CB22456H										80.00	CB224M80H	171.4500	87.310	111.12	111.10	124.60	23.80	67.50	76.20	11.20
	85.00	CB224M85H										11.00										

Additional Notes

- Please call 1-866-REXNORD for availability
- Lubrication fitting tap size, 1/8 in PT
- O.D. tolerance, +.000 in/-.002 in (+0.00 mm/-0.05 mm)
- Bore tolerance for mounting, +.002 in/-.000 in (+0.05 mm/-0.00 mm)
- H labyrinth seals standard
- All size codes available with type E lip seals, except E7 in size code B416
- For the Selection Guide, Load Ratings and Speed Limits, see the Link-Belt Spherical Roller Bearings Engineering section

Note: Dimensions subject to change. Certified dimensions of ordered material furnished on request.

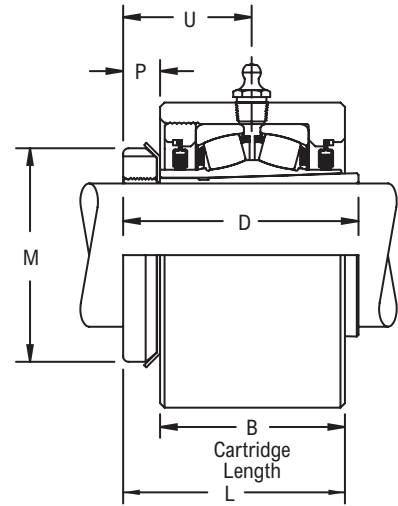
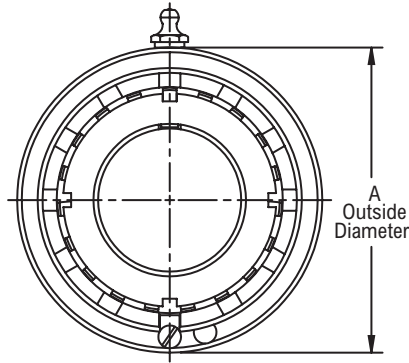
CB22600



Photo Shows a Spherical Roller Bearing Cartridge Unit with Cast Iron Housing

Product Features

- Corrosion resistant powder coating
 - Cast iron housing
 - Misalignment capabilities - total of 4°
 - Broad range of sealing options
 - Factory set clearance & lubrication
 - Enhanced life mounting style
 - Field interchangeable seals
- See Features & Benefits for additional info.



Bearing Dimensions

Size Code	Shaft Diameter	Part Number	A Outside Diameter	B Cartridge Length	D	L	M	P	U	Approx. Weight
B624	1 7/16	CB22623H	3.4370	2 3/16	2.71	2 13/16	2 1/4	9/16	1 43/64	4.00
B631	1 15/16	CB22631H	4.1250	2 7/16	3.08	3 11/64	2 31/32	43/64	1 55/64	6.00
B635	2 3/16	CB22635H	4.5310	2 9/16	3.16	3 7/32	3 5/32	21/32	1 29/32	8.00
B639	2 7/16	CB22639H	5.0000	2 5/8	3.28	3 25/64	3 5/8	43/64	2 3/64	10.00
B647	2 11/16	CB22643H	5.8750	3 1/8	3.86	4	4 5/32	3/4	2 19/64	18.00
	2 15/16	CB22647H								16.00
B655	3 7/16	CB22655H	6.7500	3 7/16	4.29	4 3/8	4 15/16	7/8	2 9/16	23.00

Additional Notes

- Please call 1-866-REXNORD for availability
- Lubrication fitting tap size, 1/8 in PT
- Dimensions for "D", "P" & "U" based on unmounted condition
- O.D. tolerance, +.000 in/-.002 in (+0.00 mm/-0.05 mm)
- Bore tolerance for mounting, +.002 in/-.000 in (+0.05 mm/-0.00 mm)
- H labyrinth seals standard
- All size codes available with type E lip seals & E7 triple lip seals

For the Selection Guide, Load Ratings and Speed Limits, see the Link-Belt Spherical Roller Bearings Engineering section

Note: Dimensions subject to change. Certified dimensions of ordered material furnished on request.

TB22400

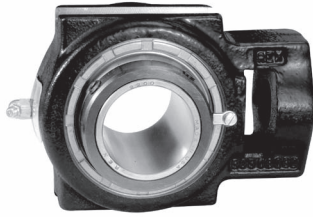
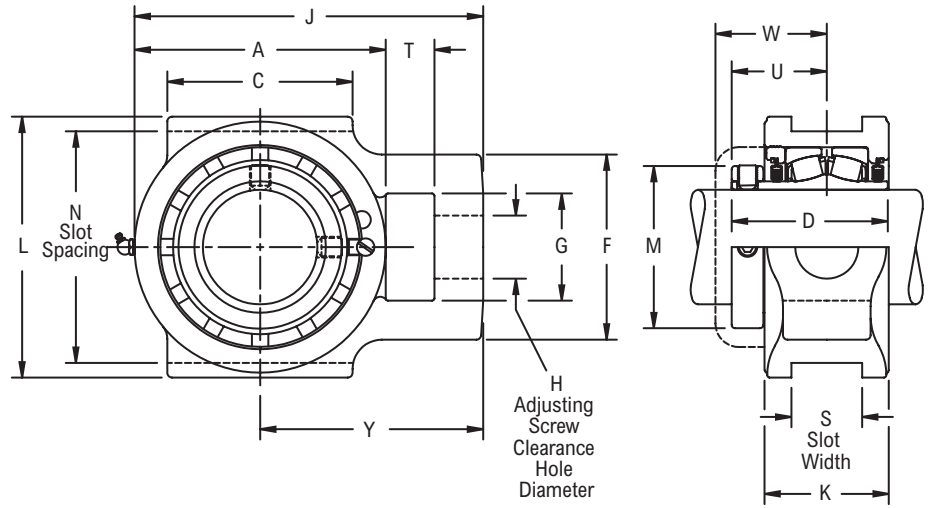


Photo Shows a Spherical Roller Bearing Take-up Unit

Product Features

- Corrosion-resistant powder coating
- Cast iron housing
- Misalignment capabilities - total of 4°
- Broad range of sealing options
- Factory set clearance & lubrication
- Hardened spring locking collar
- Field interchangeable seals
- See Features & Benefits for additional info.



Bearing Dimensions

Size Code	Shaft Diameter	Part Number	H Adjusting Screw Hole Diameter	N Slot Spacing	S Slot Width	A	C	D	F	G	J	K	L	M	T	U	W	Y	Approx. Weight
B416	1	TB22416H	3/4	3.000	0.531	3	2 1/4	2 9/16	2	1 1/4	4 1/16	2	3 5/8	1 3/4	5/8	1 9/16	1 29/32	2 9/16	4.40
	25.00	TB224M25H	19.10	76.200	13.490	76.20	57.20	65.09	50.80	31.80	103.20	50.80	92.10	44.40	15.90	39.70	48.40	65.10	2.00
B420	1 3/16	TB22419H	7/8	3.500	0.531	3 3/8	2 1/2	2 11/16	2 5/16	1 7/16	4 9/16	2 1/8	4 1/8	1 31/32	5/8	1 5/8	1 31/32	2 7/8	5.70
	1 1/4	TB22420H	7/8	3.500	0.531	3 3/8	2 1/2	2 11/16	2 5/16	1 7/16	4 9/16	2 1/8	4 1/8	1 31/32	5/8	1 5/8	1 31/32	2 7/8	5.60
	30.00	TB224M30H	22.20	88.900	13.490	85.73	63.50	68.26	58.70	36.50	115.90	53.90	104.80	50.00	15.90	41.30	50.00	73.00	2.60
B424	1 7/16	TB22423H	7/8	3.500	0.531	3 3/4	2 3/4	2 7/8	2 3/8	1 7/16	5 1/16	2 3/16	4 1/8	2 5/16	5/8	1 25/32	2 3/16	3 1/4	6.40
	1 1/2	TB22424H	7/8	3.500	0.531	3 3/4	2 3/4	2 7/8	2 3/8	1 7/16	5 1/16	2 3/16	4 1/8	2 5/16	5/8	1 25/32	2 3/16	3 1/4	6.40
	35.00	TB224M35H	22.20	88.900	13.490	95.25	69.80	73.02	60.30	36.50	128.60	55.60	104.80	58.70	15.90	45.20	55.60	82.60	2.90
B428	1 5/8	TB22426H	1 1/8	4.000	0.687	4 1/4	3 1/4	3 1/8	3 3/16	1 15/16	5 15/16	2 7/16	4 3/4	2 19/32	3/4	1 29/32	2 1/4	3 13/16	9.70
	1 11/16	TB22427H	1 1/8	4.000	0.687	4 1/4	3 1/4	3 1/8	3 3/16	1 15/16	5 15/16	2 7/16	4 3/4	2 19/32	3/4	1 29/32	2 1/4	3 13/16	9.50
	40.00	TB224M40H	28.60	101.600	17.460	107.95	82.60	79.38	81.00	49.20	150.80	61.90	120.60	65.90	19.00	48.40	57.20	96.80	4.50
B432	1 15/16	TB22431H	1 1/8	4.000	0.687	4 1/2	3 3/8	3 1/8	3 3/16	1 15/16	6 3/16	2 7/16	4 1/2	2 7/8	3/4	1 29/32	2 9/32	3 15/16	9.90
	2	TB22432H	1 1/8	4.000	0.687	4 1/2	3 3/8	3 1/8	3 3/16	1 15/16	6 3/16	2 7/16	4 1/2	2 7/8	3/4	1 29/32	2 9/32	3 15/16	9.70
	45.00	TB224M45H	28.60	101.600	17.460	114.30	85.70	79.38	81.00	49.20	157.20	61.90	114.30	73.00	19.00	48.40	57.90	100.00	4.70
B436	2 3/16	TB22435H	1 3/8	4.500	0.813	5	3 3/4	3 5/16	3 3/4	2 1/4	7 1/8	2 1/2	5 1/4	3 1/4	1 1/4	2 1/16	2 7/16	4 5/8	14.10
	2 1/4	TB22436H	1 3/8	4.500	0.813	5	3 3/4	3 5/16	3 3/4	2 1/4	7 1/8	2 1/2	5 1/4	3 1/4	1 1/4	2 1/16	2 7/16	4 5/8	14.10
	55.00	TB224M55H	34.90	114.300	20.640	127.00	95.20	84.14	95.20	57.20	181.00	63.50	133.40	82.60	31.80	52.40	61.90	117.50	6.80
B440	2 7/16	TB22439H	1 3/8	5.125	1.063	5 1/2	4	3 1/2	4 1/8	2 1/4	7 13/16	2 5/8	5 7/8	3 9/16	1 1/4	2 3/16	2 9/16	5 1/16	18.00
	2 1/2	TB22440H	1 3/8	5.125	1.063	5 1/2	4	3 1/2	4 1/8	2 1/4	7 13/16	2 5/8	5 7/8	3 9/16	1 1/4	2 3/16	2 9/16	5 1/16	17.80
	60.00	TB224M60H	34.90	130.180	26.990	139.70	101.60	88.90	104.80	57.20	198.40	66.70	149.20	90.50	31.80	55.60	65.10	128.60	8.30
B448	2 11/16	TB22443H	1 5/8	5.937	1.812	6 7/16	4 3/4	4	4 3/4	2 3/4	9 1/8	3 1/8	6 11/16	4 1/16	1 1/2	2 7/16	2 25/32	5 15/16	23.60
	2 3/4	TB22444H	1 5/8	5.937	1.812	6 7/16	4 3/4	4	4 3/4	2 3/4	9 1/8	3 1/8	6 11/16	4 1/16	1 1/2	2 7/16	2 25/32	5 15/16	23.50
	2 15/16	TB22447H	1 5/8	5.937	1.812	6 7/16	4 3/4	4	4 3/4	2 3/4	9 1/8	3 1/8	6 11/16	4 1/16	1 1/2	2 7/16	2 25/32	5 15/16	23.00
	3	TB22448H	1 5/8	5.937	1.812	6 7/16	4 3/4	4	4 3/4	2 3/4	9 1/8	3 1/8	6 11/16	4 1/16	1 1/2	2 7/16	2 25/32	5 15/16	22.90
	65.00	TB224M65H	41.30	150.810	46.020	163.50	120.60	101.60	120.60	69.80	231.80	79.40	169.90	103.20	38.10	61.90	70.60	150.80	10.60
	70.00	TB224M70H	41.30	150.810	46.020	163.50	120.60	101.60	120.60	69.80	231.80	79.40	169.90	103.20	38.10	61.90	70.60	150.80	10.30
	75.00	TB224M75H	41.30	150.810	46.020	163.50	120.60	101.60	120.60	69.80	231.80	79.40	169.90	103.20	38.10	61.90	70.60	150.80	10.20
B456	3 7/16	TB22455H	1 7/8	6.812	1.812	7 3/8	5 1/2	4 3/8	4 7/8	2 7/8	10	3 7/16	7 13/16	4 29/32	1 5/8	2 21/32	3	6 5/16	43.50
	3 1/2	TB22456H	1 7/8	6.812	1.812	7 3/8	5 1/2	4 3/8	4 7/8	2 7/8	10	3 7/16	7 13/16	4 29/32	1 5/8	2 21/32	3	6 5/16	43.10
	80.00	TB224M80H	47.60	173.020	46.020	187.30	139.70	111.12	123.80	73.00	254.00	87.30	198.40	124.60	41.30	67.50	76.20	160.30	20.50
	85.00	TB224M85H	47.60	173.020	46.020	187.30	139.70	111.12	123.80	73.00	254.00	87.30	198.40	124.60	41.30	67.50	76.20	160.30	20.00
B464	3 15/16	TB22463H	2 1/8	8.625	2.062	8 7/8	7	5 1/16	5 1/4	3 1/8	12 1/8	4 1/8	9 7/16	5 5/8	2 1/8	3 1/16	3 7/16	7 11/16	77.00
	4	TB22464H	2 1/8	8.625	2.062	8 7/8	7	5 1/16	5 1/4	3 1/8	12 1/8	4 1/8	9 7/16	5 5/8	2 1/8	3 1/16	3 7/16	7 11/16	76.00
	90.00	TB224M90H	53.98	219.080	52.370	225.40	177.80	128.59	133.40	79.40	308.00	104.80	239.70	142.90	54.00	77.80	87.30	195.30	34.90
	100.00	TB224M100H	53.98	219.080	52.370	225.40	177.80	128.59	133.40	79.40	308.00	104.80	239.70	142.90	54.00	77.80	87.30	195.30	34.50

Additional Notes

- Please call 1-866-REXNORD for availability
- Lubrication fitting tap size, 1/8" PT
- Take-up slot spacing & width tolerance, +.005 in/-0.015 in (+0.13 mm/-0.38 mm)
- H labyrinth seals standard
- All size codes available with type E lip seals, except E7 in size code B416
- For the Selection Guide, Load Ratings and Speed Limits, see the Link-Belt Spherical Roller Bearings Engineering section

Note: Dimensions subject to change. Certified dimensions of ordered material furnished on request.

TB22600

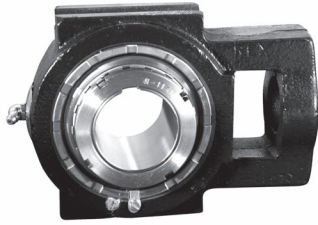
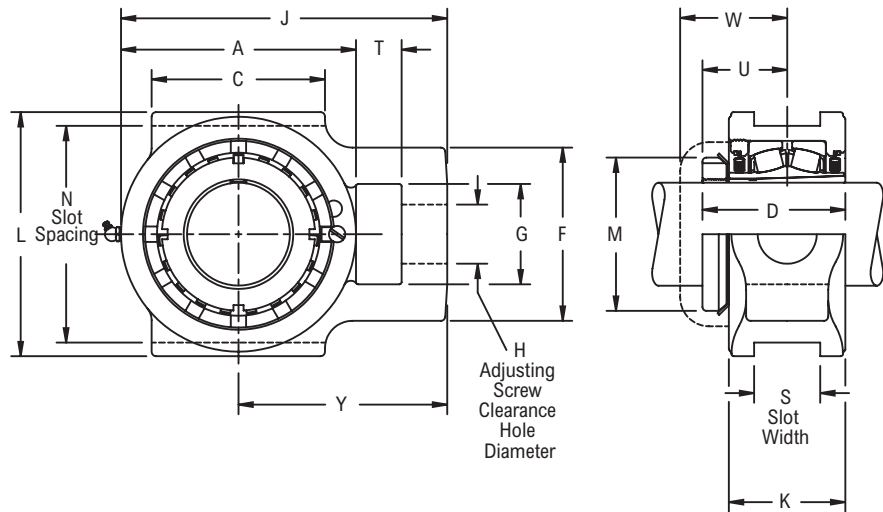


Photo Shows a Spherical Roller Bearing Take-up Unit

Product Features

- Corrosion-resistant powder coating
- Cast iron housing
- Misalignment capabilities - total of 4°
- Broad range of sealing options
- Factory set clearance & lubrication
- Enhanced life mounting style
- Field interchangeable seals
- See Features & Benefits for additional info.



Bearing Dimensions

Size Code	Shaft Diameter	Part Number	H Adjusting Screw Hole Diameter	N Slot Spacing	S Slot Width	A	C	D	F	G	J	K	L	M	T	U	W	Y	Approx. Weight
B624	1 ⁷ / ₁₆	TB22623H	⁷ / ₈	3.500	0.531	3 ³ / ₄	2 ³ / ₄	2.71	2 ³ / ₈	1 ⁷ / ₁₆	5 ¹ / ₁₆	2 ³ / ₁₆	4 ¹ / ₈	2 ¹ / ₄	⁵ / ₈	1 ³⁹ / ₆₄	2 ³ / ₁₆	3 ¹ / ₄	6.40
B631	1 ¹⁵ / ₁₆	TB22631H	1 ¹ / ₈	4.000	0.687	4 ¹ / ₂	3 ³ / ₈	3.08	3 ³ / ₁₆	1 ¹⁵ / ₁₆	6 ³ / ₁₆	2 ⁷ / ₁₆	4 ¹ / ₂	2 ³¹ / ₃₂	³ / ₄	1 ⁵⁵ / ₆₄	2 ⁹ / ₃₂	3 ¹⁵ / ₁₆	9.70
B635	2 ³ / ₁₆	TB22635H	1 ³ / ₈	4.500	0.813	5	3 ³ / ₄	3.16	3 ³ / ₄	2 ¹ / ₄	7 ¹ / ₈	2 ¹ / ₂	5 ¹ / ₄	3 ⁵ / ₃₂	1 ¹ / ₄	1 ²⁹ / ₃₂	2 ⁷ / ₁₆	4 ⁵ / ₈	14.10
B639	2 ⁷ / ₁₆	TB22639H	1 ³ / ₈	5.125	1.063	5 ¹ / ₂	4	3.28	4 ¹ / ₈	2 ¹ / ₄	7 ¹³ / ₁₆	2 ⁵ / ₈	5 ⁷ / ₈	3 ⁵ / ₈	1 ¹ / ₄	1 ³¹ / ₃₂	2 ⁹ / ₁₆	5 ¹ / ₁₆	17.80
B647	2 ¹¹ / ₁₆	TB22643H	1 ⁵ / ₈	5.937	1.812	6 ⁷ / ₁₆	4 ³ / ₄	3.86	4 ³ / ₄	2 ³ / ₄	9 ¹ / ₈	3 ¹ / ₈	6 ¹¹ / ₁₆	4 ⁵ / ₃₂	1 ¹ / ₂	2 ¹⁹ / ₆₄	2 ²⁵ / ₃₂	5 ¹⁵ / ₁₆	13.50
	2 ¹⁵ / ₁₆	TB22647H																	13.00
B655	3 ⁷ / ₁₆	TB22655H	1 ⁷ / ₈	6.812	1.812	7 ³ / ₈	5 ¹ / ₂	4.29	4 ⁷ / ₈	2 ⁷ / ₈	10	3 ⁷ / ₁₆	7 ¹³ / ₁₆	4 ¹⁵ / ₁₆	1 ⁵ / ₈	2 ³⁷ / ₆₄	3	6 ⁵ / ₁₆	43.10
B663	3 ¹⁵ / ₁₆	TB22663H	2 ¹ / ₈	8.625	2.062	8 ⁷ / ₈	7	4.94	5 ¹ / ₄	3 ¹ / ₈	12 ¹ / ₈	4 ¹ / ₈	9 ⁷ / ₁₆	5 ⁷ / ₁₆	2 ¹ / ₈	2 ¹⁵ / ₁₆	3 ⁷ / ₁₆	7 ¹¹ / ₁₆	76.00

Additional Notes

- Please call 1-866-REXNORD for availability
- Lubrication fitting tap size, 1/8" PT
- Dimensions for "D" & "U" based on unmounted condition
- Take-up slot spacing & width tolerance, ±.005 in/-.015 in (**+0.13 mm/-0.38 mm**)
- H labyrinth seals standard
- All size codes available with type E lip seals & E7 triple lip seals
- For the Selection Guide, Load Ratings and Speed Limits, see the Link-Belt Spherical Roller Bearings Engineering section

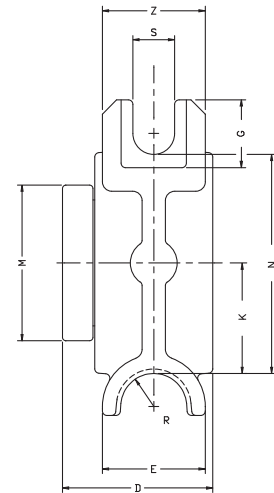
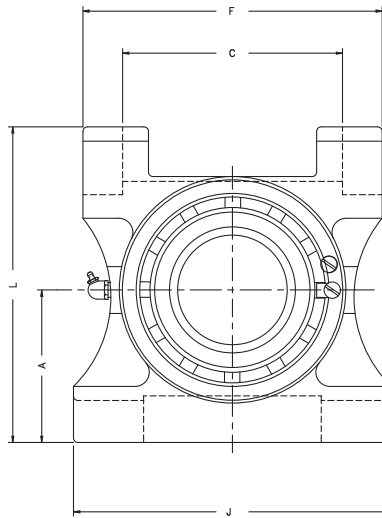
Note: Dimensions subject to change. Certified dimensions of ordered material furnished on request.

ETPB22400



Product Features

- Cast iron Type E housing
- Corrosion resistant powder coating
- Misalignment capabilities - Total of 4°
- Broad range of sealing options
- Factory set clearance & lubrication
- Field interchangeable seals
- See Features & Benefits for additional info



Bearing Dimensions

Size Code	Shaft Diameter	Part Number	A Base to Centerline Height	C	D	E	F	G	J	K	L	M	N	R	S	Z	Approx. Weight
B432	1 ¹⁵ / ₁₆	ETPB22431H	3 ⁷ / ₃₂	4 ¹ / ₂	3 ¹ / ₈	2 ³ / ₈	6	1 ³ / ₈	6 ¹ / ₂	2	6 ⁷ / ₁₆	2 ⁷ / ₈	4	1 ³ / ₁₆	1 ⁵ / ₁₆	2 ¹³ / ₃₂	15.00
	2	ETPB22432H															
B436	2 ³ / ₁₆	ETPB22435H	3 ¹⁵ / ₃₂	5 ¹ / ₄	3 ⁵ / ₁₆	2 ⁷ / ₁₆	6 ³ / ₄	1 ¹³ / ₃₂	7	2 ¹ / ₄	6 ²⁹ / ₃₂	3 ¹ / ₄	4 ¹ / ₂	1 ³ / ₁₆	1 ⁵ / ₁₆	2 ⁵ / ₈	15.00
	2 ⁷ / ₁₆	ETPB22439H															
B440	2 ¹ / ₂	ETPB22440H	3 ¹ / ₂	4 ⁷ / ₈	3 ¹ / ₂	2 ³ / ₄	7	1 ²⁵ / ₃₂	7 ¹ / ₂	2 ³ / ₈	7 ³ / ₈	3 ⁹ / ₁₆	4 ¹³ / ₁₆	7 ⁷ / ₈	1 ³ / ₃₂	2 ³ / ₄	21.00
	2 ¹⁵ / ₁₆	ETPB22447H															
B448	3	ETPB22448H	4 ⁵ / ₆₄	5 ⁷ / ₈	4	2 ³ / ₄	8	1 ¹³ / ₁₆	8 ¹ / ₂	2 ³¹ / ₃₂	8 ⁷ / ₁₆	4 ¹ / ₁₆	5 ¹³ / ₁₆	7 ⁷ / ₈	1 ³ / ₃₂	3 ⁵ / ₃₂	29.00
	3 ⁷ / ₁₆	ETPB22455H	4 ¹ / ₂	6 ⁷ / ₁₆	4 ³ / ₈	2 ³ / ₄	8 ¹⁵ / ₁₆	2 ³ / ₆₄	9 ³ / ₈	3 ¹ / ₂	9 ¹ / ₂	4 ²⁹ / ₃₂	6 ³ / ₄	7 ⁷ / ₈	1 ³ / ₈	3 ⁷ / ₁₆	41.00
B464	3 ¹⁵ / ₁₆	ETPB22463H	5 ¹ / ₂	8	5 ¹ / ₁₆	3 ¹ / ₈	10 ¹ / ₂	2 ¹ / ₁₆	11	3 ¹⁵ / ₁₆	10 ¹⁵ / ₁₆	5 ⁵ / ₈	7 ²¹ / ₃₂	1 ⁵ / ₁₆	1 ³ / ₈	4	68.00

Additional Notes

- Please call 1-866-REXNORD for availability
- Lubrication fitting tap size, 1/8" PT
- H labyrinth seals standard
- All size codes available with type E lip seals & E7 triple lip seals
- Selection Guide, see Link-Belt Spherical Roller Bearings Selection Guide Section
- Load Ratings & Speed Limits, see Link-Belt Spherical Roller Bearings Load Ratings & Speed Limits section

Note: Dimensions subject to change. Certified dimensions of ordered material furnished on request.

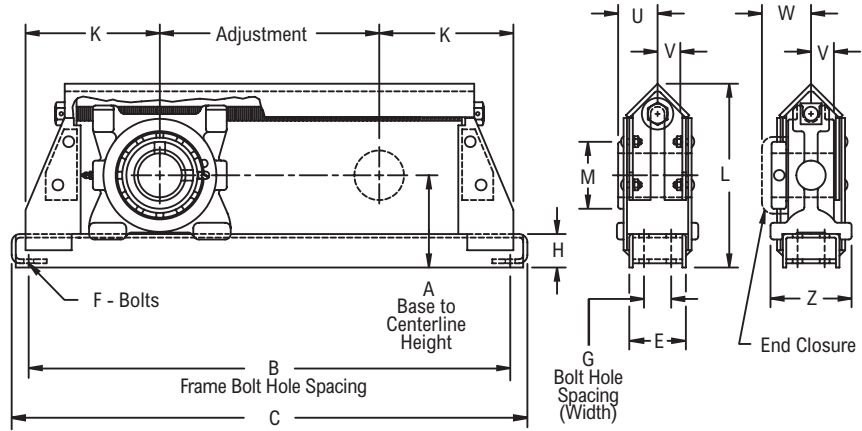
DSB22400



Photo Shows a Hinged Top, Welded Steel Conveyor Take-up Frame with Spherical Roller Bearing Take-up Unit

Product Features

- Protected screw type frame
- Corrosion-resistant powder coating
- Cast iron housing
- Misalignment capabilities - total of 4°
- Broad range of sealing options
- Factory set clearance & lubrication
- Field interchangeable seals
- See Features & Benefits for additional info.



Bearing Dimensions

Size Code	Shaft Diameter	Complete Take-up Assembly	Travel Length	A Base to Centerline Height	B Frame Bolt Hole Spacing	G Bolt Hole Spacing (Width)	C	E	F	H	K	L	M	U	V	W	Z	Adjust.	Approx. Weight
B432	1 15/16	DSB22431H	12 18 24	3 15/16	26 1/2 32 1/2 38 1/2	-	28 1/2 34 1/2 40 1/2	3	5/8	1 3/4	7 1/4	8 1/4	2 7/8	1 29/32	1 1/4	2 9/32	4 1/8	12 18 24	43 49 54
	45.00	DSB224M45H	12 18 24	100.00	673.1 825.5 977.9	-	723.9 876.3 1028.7	76.20	16.00	44.40	184.20	209.60	73.00	48.40	31.80	57.90	104.80	304.8 457.2 609.6	19.5 22.2 24.5
	50.00	DSB224M50H	12 18 24																
B436	2 3/16	DSB22435H	12 18 24	4 3/16	27 1/2 33 1/2 39 1/2	-	29 1/2 35 1/2 41 1/2	3	5/8	1 3/4	7 3/4	8 11/16	3 1/4	2 1/16	1 9/32	2 7/16	4 1/8	12 18 24	49 55 60
	55.00	DSB224M55H	12 18 24	106.40	698.5 850.9 1003.3	-	749.3 901.7 1054.1	76.20	16.00	44.40	196.80	220.70	82.60	52.40	32.50	61.90	104.80	304.8 457.2 609.6	22.2 24.9 27.2
B440	2 7/16	DSB22439H	12 18 24 30	4 3/8	28 1/2 34 1/2 40 1/2 46 1/2	-	30 1/2 36 1/2 42 1/2 48 1/2	3	3/4	1 3/4	8 1/4	9 1/8	3 9/16	2 3/16	1 3/8	2 9/16	4 1/8	12 18 24 30	55 61 66 71
	60.00	DSB224M60H	12 18 24 30	111.10	723.9 876.3 1028.7 1181.1	-	774.7 927.1 1079.5 1231.9	76.20	20.00	44.40	209.60	231.80	90.50	55.60	34.90	65.10	104.80	304.8 457.2 609.6 762.0	24.9 27.2 29.9 32.2
B448	2 15/16	DSB22447H	12 18 24 30	5 1/8	30 1/2 36 1/2 42 1/2 48 1/2	2	32 1/2 38 1/2 44 1/2 50 1/2	4	5/8	2	9 1/4	10 5/8	4 1/16	2 7/16	1 5/8	2 25/32	5 1/8	12 18 24 30	80 89 97 105
	65.00	DSB224M65H	12 18 24 30	130.20	774.4 927.1 1079.5 1231.9	50.80	825.5 977.1 1130.3 1282.7	101.60	16.00	50.80	235.00	269.90	103.20	61.90	41.30	70.60	130.20	304.8 457.2 609.6 762.0	36.3 40.4 44.4 47.6
	70.00	DSB224M70H	12 18 24 30																
B456	3 7/16	DSB22455H	12 18 24 30	5 5/8	32 38 44 50	2	34 1/4 40 1/4 46 1/4 52 1/4	4	3/4	2	10	11 13/16	4 29/32	2 21/32	1 23/32	3	5 5/8	12 18 24 30	107 116 124 132
	80.00	DSB224M80H	12 18 24 30	142.90	812.8 965.2 1117.6 1270.0	50.80	870.0 1022.4 1174.8 1327.2	101.60	20.00	50.80	254.00	300.00	124.60	67.50	43.60	76.20	142.90	304.8 457.2 609.6 762.0	48.5 52.6 56.2 59.9
	85.00	DSB224M85H	12 18 24 30																
B464	3 15/16	DSB22463H	12 18 24 30	7	36 42 48 54	2 1/2	38 1/2 44 1/2 50 1/2 56 1/2	5	3/4	2 1/4	12	14 11/16	5 5/8	3 1/16	2	3 7/16	6 7/8	12 18 24 30	180 192 202 212
	90.00	DSB224M90H	12 18 24 30	177.80	914.4 1066.8 1219.2 1371.6	63.50	977.9 1120.3 1282.7 1435.1	127.00	20.00	57.20	304.80	373.10	142.90	77.80	50.80	87.30	174.60	304.8 457.2 609.6 762.0	81.6 87.1 91.6 96.2
	100.00	DSB224M100H	12 18 24 30																

Additional Notes

- Please call 1-866-REXNORD for availability
- Lubrication fitting tap size, 1/8" PT
- For size code B464, frame has hinged top construction
- Frames with 18 in (457.20 mm) adjustment or more have center supporting pad welded to bottom of frame
- H labyrinth seals standard
- All size codes available with type E lip seals & E7 triple lip seals

For the Selection Guide, Load Ratings and Speed Limits, see the Link-Belt Spherical Roller Bearings Engineering section
 Note: Dimensions subject to change. Certified dimensions of ordered material furnished on request.

DSHB22500

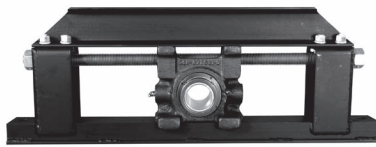
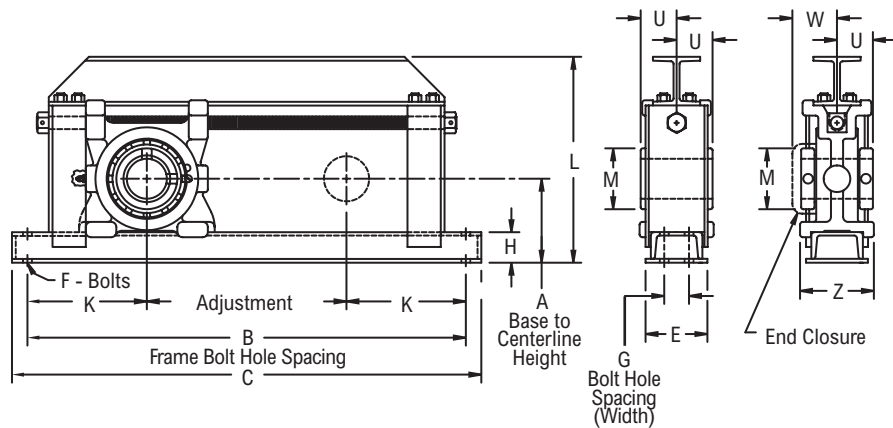


Photo Shows a Hinged Top, Extra Strength Welded Steel Conveyor Take-up Frame with Spherical Roller Bearing Take-up Unit

Product Features

- Extra strength welded steel frame
 - Corrosion-resistant powder coating
 - Cast iron housing
 - Misalignment capabilities - total of 4°
 - Broad range of sealing options
 - Factory set clearance & lubrication
 - Field interchangeable seals
- See Features & Benefits for additional info.



Bearing Dimensions

Size Code	Shaft Diameter	Complete Take-up Assembly	Travel Length	A Base to Centerline Height	B Frame Bolt Hole Spacing	G Bolt Hole Spacing (Width)	C	E	F	H	K	L	M	U	W	Z	Adjust.	Approx. Weight
B531	1 15/16	DSHB22531H	12	3 15/16	27 1/2 33 1/2 39 1/2	-	29 1/2 35 1/2 41 1/2	3 1/2	5/8	1 3/4	7 3/4	10 5/8	2 7/8	1 29/32	2 9/32	4 1/8	12	78
			18															88
			24															98
B536	2 3/16	DSHB22535H	12	4 7/16	27 1/2 33 1/2 39 1/2	-	29 1/2 35 1/2 41 1/2	4 1/2	5/8	2	7 3/4	11 1/4	3 1/4	2 1/16	2 7/16	5 1/4	12	83
			18															93
			24															103
B540	2 7/16	DSHB22539H	12	4 5/8	28 1/2 34 1/2 40 1/2	-	30 1/2 36 1/2 42 1/2	4 1/2	3/4	2	8 1/4	12 13/16	3 9/16	2 3/16	2 9/16	5 1/4	12	105
			18															118
			24															132
B548	2 15/16	DSHB22547H	12	5 1/8	30 1/2 36 1/2 42 1/2 48 1/2 54 1/2	2	32 1/2 38 1/2 44 1/2 50 1/2 56 1/2	4 1/2	5/8	2	9 1/4	13 15/16	4 1/16	2 7/16	2 25/32	5 1/4	12	125
			18															140
			24															155
			30															170
			36															185
B556	3 7/16	DSHB22555H	12	5 5/8	32 38 44 50 56	2	34 1/4 40 1/4 46 1/4 52 1/4 58 1/4	4 1/2	3/4	2	10	15 1/16	4 29/32	2 21/32	3	5 5/8	12	146
			18															162
			24															178
			30															194
			36															210
B564	3 15/16	DSHB22563H	12	7	36 42 48 54 60	2 1/2	38 1/2 44 1/2 50 1/2 56 1/2 62 1/2	5 1/2	3/4	2 1/4	12	17 1/16	5 5/8	3 1/16	3 7/16	6 7/8	12	260
			18															278
			24															296
			30															314
			36															332

Additional Notes

- Please call 1-866-REXNORD for availability
- Lubrication fitting tap size, 1/8" PT
- H labyrinth seals standard
- All size codes available with type E lip seals & E7 triple lip seals
- For the Selection Guide, Load Ratings and Speed Limits, see the Link-Belt Spherical Roller Bearings Engineering section
- Note: Dimensions subject to change. Certified dimensions of ordered material furnished on request.

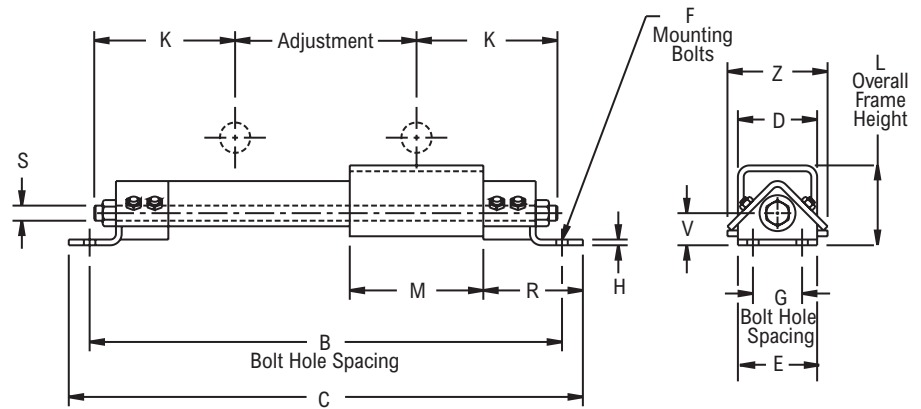
LHD FRAME



Photo Shows a Protected Screw Type Frame

Product Features

- Protected screw type frame
- Welded steel frame



Bearing Dimensions

Size Code	Available Shaft Sizes			Part Number	Adjustment Length	B Bolt Hole Spacing	G Bolt Hole Spacing in Width Direction	L Overall Frame Height	C	D	E	F	H	K	M	R	S	V	Z	Approx. Weight
	PB/PKB 22400/22600 Series	PB22500 Series	EPB22400/22500/22600 Series																	
LHD20	1 3/16-2 1/2	1 7/16-2 7/16	1 7/16-2 1/2	LHD2012	12	29	2 1/2	5 1/4	31	4	5	5/8	1/4	8 1/2	11	4	3/4	2	6 1/4	48.00
				LHD2018	18	35			37											52.00
				LHD2024	24	41			43											56.00
				LHD2030	30	47			49											65.00
				LHD2036	36	53			55											70.00
				LHD2048	48	65			67											81.00
LHD25	2 11/16-3	2 11/16-2 15/16	2 11/16-3	LHD2512	12	32 3/4	3	6 1/4	35 1/4	5	5 1/2	5/8	3/8	10 3/8	13 1/4	5	1	2 9/16	7 1/8	81.00
				LHD2518	18	38 3/4			41 1/4											100.00
				LHD2524	24	44 3/4			47 1/4											110.00
				LHD2530	30	50 3/4			53 1/4											115.00
				LHD2536	36	56 3/4			59 1/4											120.00
				LHD2548	48	68 3/4			71 1/4											127.00
LHD30	3 3/16-3 1/2	3 7/16	-	LHD3012	12	35 1/2	3	7	38 1/4	6	6 1/2	3/4	1/2	11 3/4	14 1/4	6	1	2 1/2	9	158.00
				LHD3018	18	41 1/2			44 1/4											162.00
				LHD3024	24	47 1/2			50 1/4											166.00
				LHD3030	30	53 1/2			56 1/4											173.00
				LHD3036	36	59 1/2			62 1/4											183.00
				LHD3048	48	71 1/2			74 1/4											214.00
LHD35	3 11/16-4	3 15/16-4 1/2	3 3/16-3 1/2	LHD3512	12	37 1/4	3	7	40	6	6 1/2	3/4	1/2	12 5/8	16	6	1 1/4	2 1/2	9	173.00
				LHD3518	18	43 1/4			46											190.00
				LHD3524	24	49 1/4			52											195.00
				LHD3530	30	55 1/4			58											200.00
				LHD3536	36	61 1/4			64											210.00
				LHD3548	48	73 1/4			76											234.00
LHD40	-	4 15/16-5	-	LHD4012	12	41 1/4	3	7	44	7	6 1/2	3/4	1/2	14 5/8	20	6	1 1/2	2 1/2	9 13/16	175.00
				LHD4018	18	47 1/4			50											220.00
				LHD4024	24	53 1/4			56											265.00
				LHD4030	30	59 1/4			62											270.00
				LHD4036	36	65 1/4			68											290.00
				LHD4048	48	77 1/4			80											300.00
LHD50	-	-	-	LHD5012	12	47	4	7 3/4	49 1/2	8 1/2	7	7/8	1/2	17 1/2	23 1/2	6 3/4	1 1/2	3 3/8	11 1/4	290.00
				LHD5018	18	53			55 1/2											300.00
				LHD5024	24	59			61 1/2											325.00
				LHD5030	30	65			67 1/2											330.00
				LHD5036	36	71			73 1/2											350.00
				LHD5048	48	83			85 1/2											360.00

Additional Notes

- Please call 1-866-REXNORD for availability
- Note: Dimensions subject to change. Certified dimensions of ordered material furnished on request.

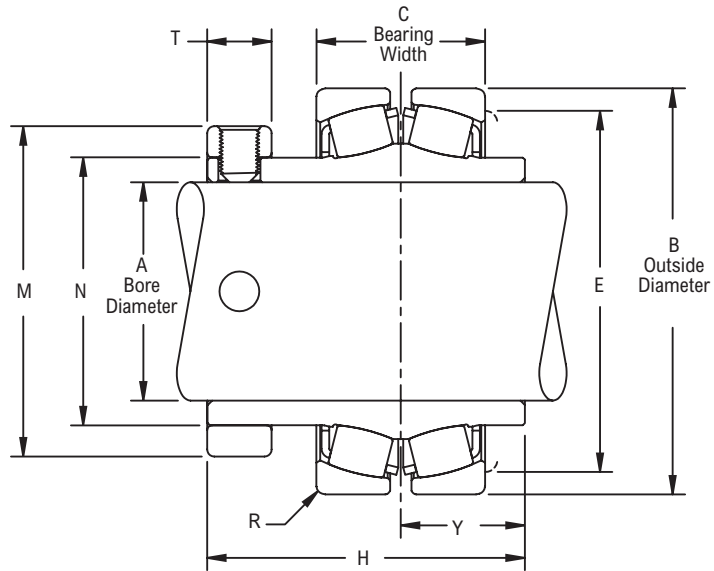
B400L



Photo Shows an Unmounted Spherical Roller Bearing Unit

Product Features

- Hardened spring locking collar
- Self aligning
- See Features & Benefits for additional info.



Bearing Dimensions

Size Code	Shaft Diameter	Part Number	A Bore Diameter	B Outside Diameter	C Bearing Width	E	H	M	N	R	T	Y	Approx. Weight
B416	1	B416L	1.0000	2.3750	1.1880	2	2.56	1.75	1.307	0.046	1/2	1	1.30
	25.00	B4M25L	25.0000	60.3250	30.1800	50.80	65.09	44.40	33.200	1.170	12.70	25.40	0.60
B420	1 3/16	B419L	1.1875	2.6250	1.3120	2 5/16	2.69	1.97	1.532	0.062	1/2	1 1/16	1.80
	1 1/4	B420L	1.2500										
B424	30.00	B4M30L	30.0000	66.6750	33.3200	58.70	68.26	50.00	38.910	1.570	12.70	26.99	0.80
	1 7/16	B423L	1.4375	2.8345	1.3100	2 1/2	2.88	2.31	1.745	0.062	5/8	1 3/32	2.20
1 1/2	B424L	1.5000											
B428	35.00	B4M35L	35.0000	72.0000	33.2700	63.50	73.02	58.70	44.320	1.570	15.90	27.78	1.00
	1 1/2	B4B24L	1.5000	3.3464	1.5780	2 7/8	3.13	2.59	2.027	0.062	5/8	1 7/32	3.20
1 5/8	B426L	1.6250											
1 11/16	B427L	1.6875											
1 3/4	B428L	1.7500											
B432	40.00	B4M40L	40.0000	85.0000	40.0800	73.00	79.38	65.90	51.480	1.570	15.90	30.96	1.40
	1 3/4	B4B28L	1.7500	3.5433	1.5260	3 3/16	3.13	2.88	2.307	0.078	5/8	1 7/32	3.30
1 15/16	B431L	1.9375											
2	B432L	2.0000											
45.00	B4M45L	45.0000											
B436	50.00	B4M50L	50.0000	90.0000	38.7600	81.00	79.38	73.00	58.590	1.980	15.90	30.96	1.50
	2 3/16	B435L	2.1875	3.9370	1.6560	3 1/2	3.31	3.25	2.620	0.062	3/4	1 1/4	4.60
2 1/4	B436L	2.2500											
B440	55.00	B4M55L	55.0000	100.0000	42.0600	88.90	84.14	82.60	66.550	1.570	19.00	31.75	2.10
	2 1/4	B4B36L	2.2500	4.3307	1.7500	3 7/8	3.50	3.56	2.901	0.078	13/16	1 5/16	5.80
2 7/16	B439L	2.4375											
2 1/2	B440L	2.5000											
60.00	B4M60L	60.0000											
B448	110.0000	44.4500	110.0000	44.4500	98.40	88.90	90.50	73.690	1.980	20.60	33.34	2.60	
	2 11/16	B443L	2.6875	5.1172	2.1250	4 17/32	4.00	4.06	3.370	0.078	13/16	1 9/16	9.50
2 3/4	B444L	2.7500											
2 15/16	B447L	2.9375											
3	B448L	3.0000											
B456	65.00	B4M65L	65.0000	130.0000	53.9800	115.10	101.60	103.20	85.600	1.980	20.60	39.69	4.30
	70.00	B4M70L	70.0000										
75.00	B4M75L	75.0000											
3 3/16	B451L	3.1875											
3 7/16	B455L	3.4375	5.9045	2.3130	5 11/32	4.38	4.91	3.975	0.125	27/32	1 23/32	13.50	

Continued...

Continued...

Bearing Dimensions

Size Code	Shaft Diameter	Part Number	A Bore Diameter	B Outside Diameter	C Bearing Width	E	H	M	N	R	T	Y	Approx. Weight
B456	3 1/2	B456L	3.5000	5.9045	2.3130	5 11/32	4.38	4.91	3.975	0.125	27/32	1 23/32	13.50
	80.00	B4M80L	80.0000	149.9740	58.7500	135.70	111.12	124.60	100.970	3.180	21.40	43.66	6.10
	85.00	B4M85L	85.0000										6.10
B464	3 11/16	B459L	3.6875	7.0856	2.7500	6 3/8	5.06	5.63	4.561	0.125	31/32	2	24.00
	3 15/16	B463L	3.9375										
	4	B464L	4.0000										
	90.00	B4M90L	90.0000	179.9740	69.8500	161.90	128.59	142.90	115.850	3.180	24.60	50.80	10.80
	100.00	B4M100L	100.0000										

Additional Notes

Please call 1-866-REXNORD for availability
 Bearing O.D. tolerance, +.001 in/-.000 in (+0.025 mm/-0.000 mm)
 Bore tolerance, +.0010 in/-.0000 in (+0.025 mm/-0.000 mm)
 Bearing width tolerance, +/- .025 in (+/-0.64 mm)
 Housing must allow clearance for this adjustment on dimension "C"
 For the Selection Guide, Load Ratings and Speed Limits, see the Link-Belt Spherical Roller Bearings Engineering section

Note: Dimensions subject to change. Certified dimensions of ordered material furnished on request.

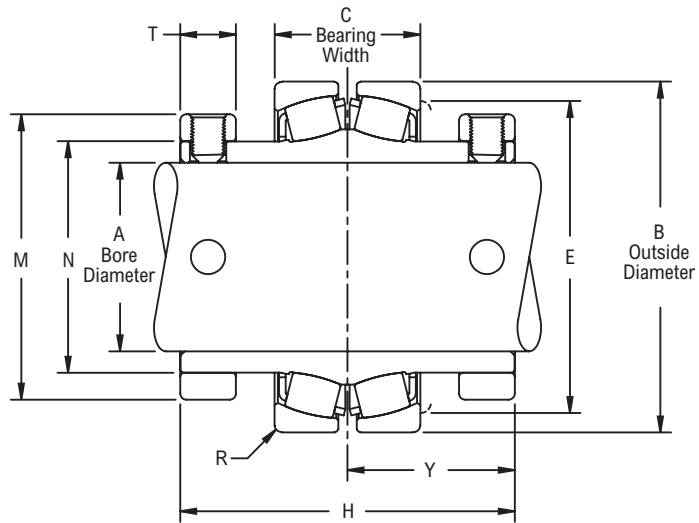
B500L



Photo Shows an Unmounted Spherical Roller Bearing Unit

Product Features

- Two hardened spring locking collars
- Self aligning
- See Features & Benefits for additional info.



Bearing Dimensions

Size Code	Shaft Diameter	Part Number	A Bore Diameter	B Outside Diameter	C Bearing Width	E	H	M	N	R	T	Y	Approx. Weight
B524	1 7/16	B523L	1.4375	2.8345	1.3100	2 1/2	3.56	2.31	1.745	0.062	5/8	1 25/32	2.40
B528	1 11/16	B527L	1.6875	3.3464	1.5780	2 7/8	3.81	2.59	2.027	0.062	5/8	1 29/32	3.50
B531	1 15/16	B531L	1.9375	3.5433	1.5260	3 3/16	3.81	2.88	2.307	0.078	5/8	1 29/32	3.80
B536	2	B532L	2.0000	3.9370	1.6560	3 1/2	4.13	3.25	2.620	0.062	3/4	2 1/16	6.00
	2 3/16	B535L	2.1875										
B540	2 7/16	B539L	2.4375	4.3307	1.7500	3 7/8	4.38	3.56	2.901	0.078	13/16	2 3/16	7.20
B548	2 11/16	B543L	2.6875	5.1172	2.1250	4 17/32	4.88	4.06	3.370	0.078	13/16	2 7/16	11.10
	2 15/16	B547L	2.9375										
B556	3 7/16	B555L	3.4375	5.9045	2.3130	5 11/32	5.31	4.91	3.975	0.125	27/32	2 21/32	15.70
B564	3 15/16	B563L	3.9375	7.0856	2.7500	6 3/8	6.13	5.63	4.561	0.125	31/32	3 1/16	26.70
	4	B564L	4.0000										
B572	4 3/16	B567YL	4.1875	7.6815	-	-	6.25	6.19	5.032	0.145	1	3 1/8	37.00
	4 7/16	B571YL	4.4375										
	4 1/2	B572YL	4.5000										
	110.00	B5M110YL	110.0000	195.1101	-	-	158.75	157.23	127.813	3.683	25.40	79.38	16.70
115.00	B5M115YL	115.0000											
B580	4 15/16	B579YL	4.9375	9.0574	-	-	7.88	7.04	5.750	0.145	1 1/16	3 15/16	41.20
	5	B580YL	5.0000										
	125.00	B5M125YL	125.0000										

Additional Notes

- Please call 1-866-REXNORD for availability
- Bearing O.D. tolerance, +.001 in/-.000 in(+0.025 mm/-0.000 mm)
- Bore tolerance, +.0010 in/-.0000 in(+0.025 mm/-0.000 mm)
- Bearing width tolerance, +/-0.025 in (+/-0.64 mm)
- Housing must allow clearance for this adjustment on dimension "C"
- For the Selection Guide, Load Ratings and Speed Limits, see the Link-Belt Spherical Roller Bearings Engineering section

Note: Dimensions subject to change. Certified dimensions of ordered material furnished on request.

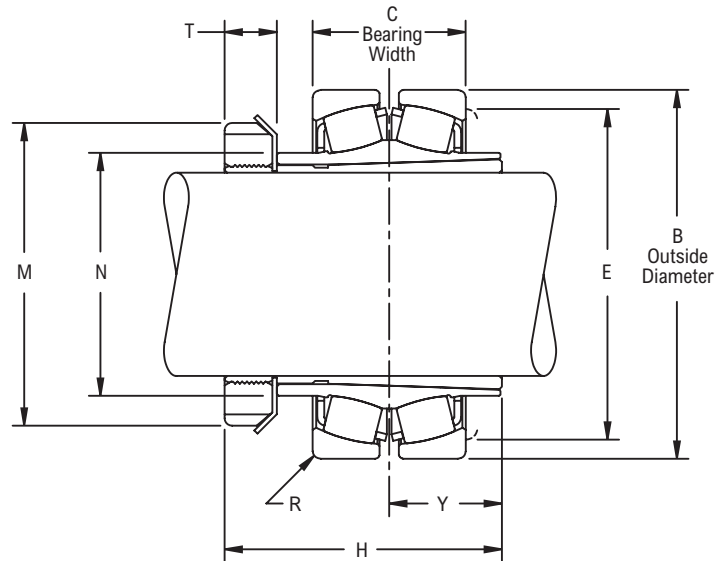
B600L



Photo Shows an Unmounted Spherical Roller Bearing Unit

Product Features

- Enhanced life mounting style
- Self aligning
- See Features & Benefits for additional info.



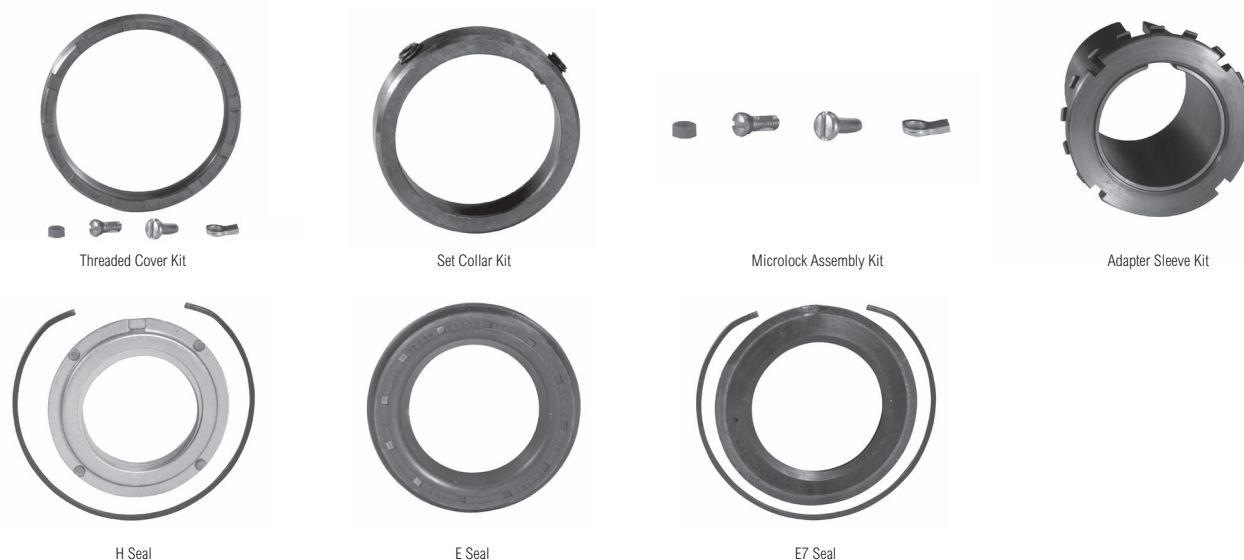
Bearing Dimensions

Size Code	Shaft Diameter	Part Number	B Outside Diameter	C Bearing Width	E	H	M	N	R	T	Y	Approx. Weight
B624	1 7/16	B623L	2.8345	1.3100	2 1/2	2.71	2 1/4	1.745	0.062	1/2	1 3/32	2.10
B631	1 15/16	B631L	3.5433	1.5260	3 3/16	3.08	2 31/32	2.307	0.078	9/16	1 7/32	3.30
B635	2 3/16	B635L	3.9370	1.6560	3 1/2	3.16	3 5/32	2.620	0.062	19/32	1 1/4	4.50
B639	2 7/16	B639L	4.3307	1.7500	3 7/8	3.36	3 5/8	2.901	0.078	5/8	1 5/16	5.90
B647	2 11/16	B643L	5.1172	2.1250	4 17/32	3.86	4 5/32	3.370	0.078	43/64	1 9/16	9.50
	2 15/16	B647L										
B655	3 7/16	B655L	5.9045	2.3130	5 11/32	4.31	4 15/16	3.975	0.125	51/64	1 23/32	12.80
B663	3 15/16	B663L	7.0856	2.7500	6 3/8	4.94	5 7/16	4.561	0.125	55/64	2	23.20

Additional Notes

- Please call 1-866-REXNORD for availability
- Dimension for "H" based on unmounted condition
- Bearing O.D. tolerance, +.001 in/-.000 in (**+0.025 mm/-0.000 mm**)
- Bore tolerance, +.0010 in/-.0000 in (**+0.025 mm/-0.000 mm**)
- Bearing width tolerance, +/- .025 in (**+/-0.64 mm**)
- Housing must allow clearance for this adjustment on dimension "C"
- For the Selection Guide, Load Ratings and Speed Limits, see the Link-Belt Spherical Roller Bearings Engineering section

Note: Dimensions subject to change. Certified dimensions of ordered material furnished on request.

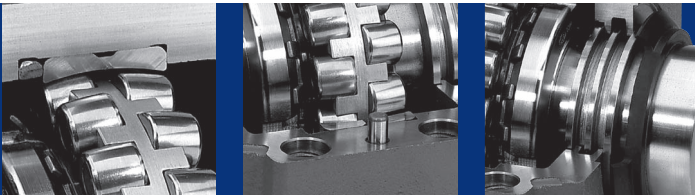


Bearing Dimensions

Size Code	H	E	E7	Threaded Cover Kit	Set Collar Kit	Microlock Assembly Kit	Adapter Assembly Kit
B416	B417HS	B417ES	-	B417TC	B417SC	B436MLK*	-
B420	B420HS	B420ES	B420E7S	B420TC	B420SC	B436MLK*	-
B424 B524 B624	B424HS	B424ES	B424E7S	B424TC	B424SC	B436MLK*	SNW623
B428 B528	B428HS	B428ES	B428E7S	B428TC	B428SC	B436MLK*	-
B432 B531 B631	B432HS	B432ES	B432E7S	B432TC	B432SC	B436MLK*	SNW631
B436 B536 B635	B436HS	B436ES	B436E7S	B436TC	B436SC	B436MLK*	SNW635
B440 B540 B639	B440HS	B440ES	B440E7S	B440TC	B440SC	B448MLK▶	SNW639
B448 B548 B647	B448HS	B448ES	B448E7S	B448TC	B448SC	B448MLK▶	SNW647
B456 B556 B655	B456HS	B456ES	B456E7S	B456TC	B456SC	B580MLK◇	SNW655
B464 B564 B663	B464HS	B464ES	B464E7S	B464TC	B464SC	B580MLK◇	SNW663
B572	B572YHS	B572YES	B572YE7S	B572YTC	B572Y5S	B580YMLK◇	-
B580	B580YHS	B580YES	B580YE7S	B580YTC	B580Y5S	B580YMLK◇	-

Additional Notes

- * CB cartridge blocks in these size codes require B436MLK1 Microlock Kit
- ▶ CB cartridge blocks in these size codes require B456MLK Microlock Kit
- ◇ CB cartridge blocks in these size codes require B572MLK Microlock Kit



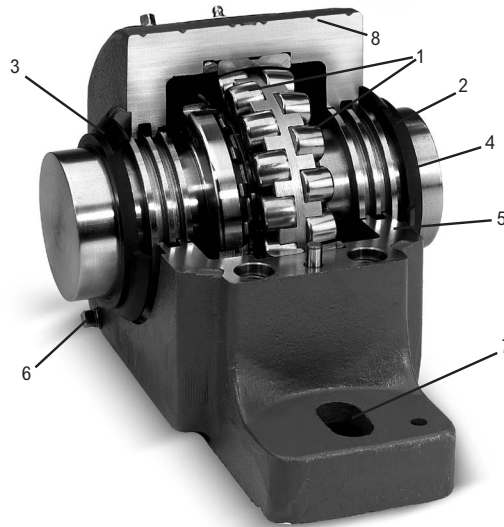
Industries Served

Mining
Forest Products
Aggregates
Steel
Air Handling
Construction
Package Handling
Waste Water Treatment

Link-Belt Series 6600, 6800, 6900, 7600, 7800, 7900, 22300, 22600 Spherical Roller Bearing

Self-aligning spherical roller bearing pillow blocks and take-ups provide high load carrying capacity for radial or combination radial and thrust loads.

They are designed for use on conveyors, dryers, road building equipment, runout tables, fans, crushers, hammermills and many other high-precision, heavy-duty applications.



1. Direct or Adapter Mounting

Spherical roller bearings may be direct or adapter mounted. Housings have provision for fixed or expansion mounting.

2. Choice of Seals

Type R multilabyrinth, D5 Pentac®, or Type D8 independently flushable seals — effectively retain lubricant and exclude contaminants.

3. Removable Housing Cap

Facilitates bearing mounting, inspection and maintenance.

4. Mating Surfaces are Machined

Caps and bases matched and marked.

5. Base and Cap are Dowelled for Accurate Assembly and Security

6. Oil or Grease Lubrication Ready

Large lubricant reservoir in base prolongs lubrication interval.

7. Slotted Bolt Holes

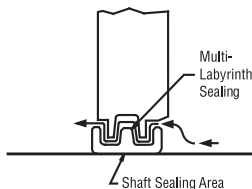
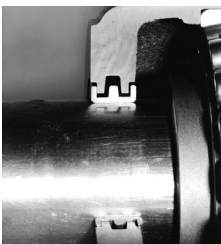
Slotted bolt holes in base facilitate mounting; machined finish on base for firm seating on supporting surface. Pry slots for easy cap removal.

8. Dimpled Flats for Bearing Monitor Probes

A Seal Choice for Every Environment

Metal Triple-Ring R Seal

This industry standard seal provides a labyrinth grease chamber between the housing grooves and the seal rings. Operates at high speed; good for moderate dust, dirt or moisture.

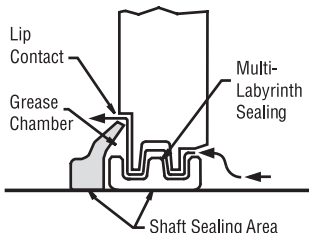
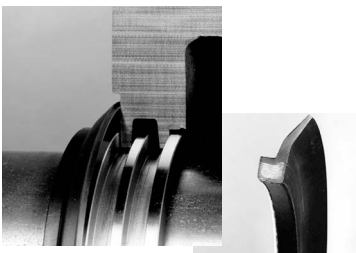


D5 PenTac 5-Point Sealing System

Rugged contact lip seal, molded on a Kevlar® body, rotates with the shaft. The PenTac seal acts as a flinger, keeping debris away from the seal area, and provides five seal points.

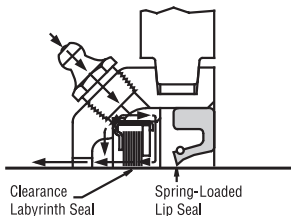
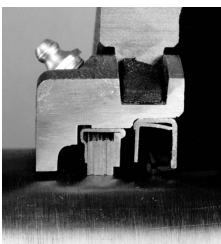
D5 PenTac 5-Point Sealing System

- 1 - Seals shaft
- 2 - Seals housing
- 3 - Creates a grease chamber to prevent bearing contamination
- 4 - Acts as a flinger
- 5 - Grease chambers created by multi-labyrinth chamber



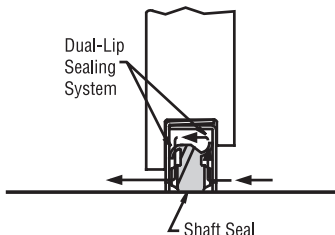
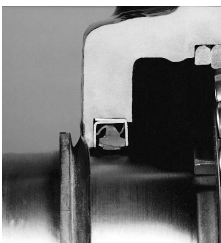
D8 Taconite Sealing System

A rugged cast carrier protects a metal labyrinth outboard seal and a spring-loaded inboard seal. When independently lubricated, the D8 system directs the grease between the two seals, purging all contaminants before they can reach the bearing chamber. Thousands are in use in the toughest applications worldwide.



Exclusive T Water Seal

Available on special order, this patented seal was developed for use on equipment which experiences constant water splash or frequent wash down. The unique T-shaped lip seal rides in a stainless steel carrier and rotates with the shaft. It seals the shaft and its one-way, double-contact lips allow for grease purge from the bearing chamber, but prevent the reverse flow of water or debris. Link Belt's T seal is the standard in the environmental equipment industry. Link Belt Bearing offers Pillow Blocks with special features for severe wash down environments. Black Rilsan Nylon 11 coated housings, stainless steel hardware and end caps or solid closed end housings, and the patented T contact water seal are the standard features of the BP-LB6800 series. Units may be further modified to meet specific needs.



Seal Comparison

	Triple Ring R Seal	PenTac® D5 Seal	Taconite D8 Seal	Wash Down T Seal
Dirt/Dust	X	XX	XXX	X
Speed	XXX	XX	X	XX
Wash Downs	X	XX	XX	XXX
	X Good	XX Better	XXX Best	

Shaft	Part Number
1 7/16"	BP-LB6823
2 3/16"	BP-LB6835*
2 7/16"	BP-LB6839*
2 11/16"	BP-LB6843*
2 15/16"	BP-LB6847*
3 3/16"	BP-LB6851*
3 15/16"	BP-LB6863F
4 1/2"	BP-LB6872F
4 15/16"	BP-LB6879F

*For four-bolt base add suffix "F."

Unit with one side solid cast closed, add "C" suffix.

6600, 6800, 6900, 7600, 7800, 7900 Nomenclature

Symbol	Description	P	E	LB	79	65	F	B	C	-T2/	3
BP	Pillow block; two-piece; black Rilsan nylon II coated										
P	Pillow block; two-piece										
PK	Pillow block; two-piece cast steel housing (66, 68, 76 and 78 series)										
DS	Takeup, welded steel frame, hinged top										
E	Expansion Mounting										
LB	Spherical roller bearing										
66	Adapter mounted with 23000LBK bearing										
68	Adapter mounted with 22200LBK bearing										
69	Adapter mounted with 22300LBK bearing										
76	Direct shaft mounted with 23000LB bearing										
78	Direct shaft mounted with 22200LB bearing										
79	Direct shaft mounted with 22300LB bearing										
M	Metric bore adapter mount										
39	Shaft diameter in 16ths of an inch — adapter mounted										
65	Inner ring bore in millimeters — direct shaft mounted										
60	Shaft diameter in millimeters — adapter mounted										
F	Four bolt base pillow block										
None	"T" Water seals										
D5	Pentac™ 5-point seals										
D8	Independently flushable seal										
B	Felt contact seal										
R	Multi-labyrinth seal										
C	Closed end unit										
T2	Locknut and washer included (76, 78, 79 series)										
2	Internal clearance less than C0										
0	Basic C0 internal clearance										
None	Internal clearance greater than C0 (standard)										
4	Internal clearance greater than C3										
12	Takeup adjustment, inches										

SAF22600, SAF22300 Nomenclature

Symbol	Description	F	SAF	226	17	-215 /
F	Four bolt base	_____	_____	_____	_____	_____
SAF	Pillow block; two-piece; inch series; labyrinth seal	_____	_____	_____	_____	_____
None	Gray Iron	_____	_____	_____	_____	_____
S	Cast Steel	_____	_____	_____	_____	_____
None	Fixed Unit — Furnish with spacer ring	_____	_____	_____	_____	_____
E	Expansion Unit	_____	_____	_____	_____	_____
223	Direct shaft mounted with 22300LB spherical roller bearing	_____	_____	_____	_____	_____
226	Adapter mounted with 22300LBK spherical roller bearing	_____	_____	_____	_____	_____
17	One-fifth bearing bore diameter in mm	_____	_____	_____	_____	_____
C	Closed end unit	_____	_____	_____	_____	_____
T	Lockwasher and locknut NOT INCLUDED (22300 Series)	_____	_____	_____	_____	_____
None	Direct shaft mounted shaft size	_____	_____	_____	_____	_____
215	Adapter mounted shaft size in inch and 1/16, i.e., 215 is 2 15/16 inch shaft size	_____	_____	_____	_____	_____
2	Internal clearance less than C0	_____	_____	_____	_____	_____
0	Basic internal clearance	_____	_____	_____	_____	_____
None	Internal clearance greater than C0 (standard)	_____	_____	_____	_____	_____
4	Internal clearance greater than C3	_____	_____	_____	_____	_____

Large Bore Nomenclature

Symbol	Description	P	LB	222	44	K	C	71516
P	Pillow block; two piece	_____	_____	_____	_____	_____	_____	_____
PK	Pillow block; two piece cast steel	_____	_____	_____	_____	_____	_____	_____
LB	Spherical Roller Bearing	_____	_____	_____	_____	_____	_____	_____
222	Direct shaft mounted with 22200LB bearing	_____	_____	_____	_____	_____	_____	_____
223	Direct shaft mounted with 22300LB bearing	_____	_____	_____	_____	_____	_____	_____
225	Adapter mounted with 22200LBK bearing	_____	_____	_____	_____	_____	_____	_____
226	Adapter mounted with 22300LBK bearing	_____	_____	_____	_____	_____	_____	_____
230	Adapter or direct shaft mounted with 23000 bearing	_____	_____	_____	_____	_____	_____	_____
231	Adapter or direct shaft mounted with 23100 bearing	_____	_____	_____	_____	_____	_____	_____
232	Adapter or direct shaft mounted with 23200 bearing	_____	_____	_____	_____	_____	_____	_____
44	One-fifth bearing bore diameter in mm	_____	_____	_____	_____	_____	_____	_____
K	Tapered bore bearing	_____	_____	_____	_____	_____	_____	_____
C	End closure	_____	_____	_____	_____	_____	_____	_____
71516	7 15/16" – shaft size	_____	_____	_____	_____	_____	_____	_____

Seal Rating Guide

Application Conditions	Seal Ratings			
	LER Clearance R	PenTac Sealing System D5	Taconite Sealing System D8	Water Seal T
Shaft position				
Horizontal Shaft	4	4	4	4
Vertical Shaft	1	4	4	4
Operating Temperature				
Below -40°F	4	1	1	1
-40°F to 0°F	4	3	3	3
0°F to +250°F	4	4	4	4
+250°F to +400°F	4	0	0	0
Over 400°F	4	0	0	0
Speed				
Equal to / Less than limit in chart	4	4	4	4
More than limit in chart	4	1	1	1
Vibration/Shock				
Occasional - Mild	3	4	4	4
Occasional - Severe	2	4	4	4
Continuous - Mild	1	3	3	3
Continuous - Severe	0	3	3	3
Abrasive Material				
Coarse - Over #10 Mesh	4	4	4	4
Small - #10 to #50 Mesh	3	4	4	4
Fine - #50 to #200 Mesh	1	3	4	3
Very fine - Under #200 Mesh	0	2	4	2
"Caking or buildup" (cement, etc.)	2	3	4	3
Moisture				
Splash	2	3	4	4
Rain	2	3	4	4
Saturated Atmosphere	1	3	4	4
Flooding	0	1	3	4
Pressure Wash	0	1	4	4
Fibrous Material				
Short Fibers (lint, etc.)	1	4	4	4
Long Fibers (grass, etc.)	1	4	4	4
Chemical				
Acid Fumes and Liquids	1	1	1	1
Alkaline Fumes and Liquids	1	1	1	1

Rating Code

4 - Excellent - Best seal for conditions listed.

3 - Good - Sealability is above average.

2 - Fair - Seal performs under intermittent conditions.

1 - Limited - Actual conditions must be known to evaluate sealability. Check "General Characteristic Guide" for construction as well as benefits and limitations for further evaluation.

0 - Not acceptable - Will not effectively perform seal functions. Contact Rexnord for special assistance in the realm of materials and designs.

Link-Belt Series 6600, 6800, 6900, 7600, 7800, 7900, 23000, 23100 and 23200 Selection Guide

To select a pillow block, determine the applied radial load, the applied thrust load, the desired Rating Life, the required minimum shaft size, and applicable operating conditions. The procedure shown here will aid in selecting a pillow block to meet an L₁₀ design life. The formulas for calculating life expectancy should be used to determine the Rating Life L₁₀ for the pillow block selected. Spherical roller bearing pillow blocks are available in Series 6600, 6800, 7600, 7800, 22300, 22600, 23000, 23100, 23200. Because a number of series are available, several different pillow blocks that will fulfill and L₁₀ life requirement can often be chosen.

Some of the factors to consider when choosing between series are: cost, speed limit, minimum shaft diameter, thrust load, space limitations, and type of shaft mounting.

The selection procedures and rating formulas shown here are in agreement with The American Bearing Manufacturers Association Standards and ANSI/ ABMA Standards STD 11-1990. Ratings are based on fatigue life.

The Rating Life L₁₀ or fatigue life at 90% reliability is the usual basis for bearing selection.

For radial load applications only, Table 3 can be used to select a unit or to determine L₁₀ life expectancy.

To assure a satisfactory bearing application, fitting practice, mounting, lubrication, sealing, static rating, housing strength, operating conditions and maintenance must be considered.

Steps for Selection

Step 1

Determine an appropriate L₁₀ design life.

	Operating time, hours per year	Design life, years	L ₁₀ design life, hours
Heavy seasonal usage	1,400 to 1,600	4-6	8,000
Industrial—8 hour shift	2,000	10	20,000
Industrial—16 hour shift	4,000	10	40,000
Industrial—continuous	8,700	10	80,000 to 100,000
Industrial—High reliability	—	—	120,000 to 300,000

Step 2

Determine a required $\left(\frac{C}{P}\right)$ from Table 1.

Step 3

Calculate the required C and select a roller bearing pillow block.

a For radial load only: $P = F_r$

Required $C = \left(\frac{C}{P}\right) P$ using $\left(\frac{C}{P}\right)$ from Step 2

Select a roller bearing pillow block from Table 2 or Table 4 having a basic load rating C equal to or greater than the required C.

b For combined radial and thrust loads:

Select a roller bearing pillow block of the desired shaft size from Table 2 or Table 4 Calculate the ratio of thrust load F_a to the radial load F_r .

$$\frac{F_a}{F_r}$$

Calculate the equivalent radial load P

$$P = X F_r + Y F_a$$

If $\frac{F_a}{F_r}$ is equal to or less than e, then $P = X_1 F_r + Y_1 F_a$

If $\frac{F_a}{F_r}$ is greater than e, then $P = X_2 F_r + Y_2 F_a$

For values of e, X₁, Y₁, X₂, and Y₂, see Table 2 or Table 4

Required $C = \left(\frac{C}{P}\right) P$ using $\left(\frac{C}{P}\right)$ from Step 2

Consult the bearing rating Table 2 or Table 4, to see if the selected bearing meets or exceeds the required C. The life expectancy of other sizes and series of bearings can be calculated similarly.

Selection

Symbols for formulas:

C = basic load rating, pounds (or newtons)	L ₁₀ = rating life, hours
Co = static load rating, pounds (or newtons)	n = speed, revolutions per minute
e = a reference value	P = equivalent radial load, pounds (or newtons)
Fa = thrust load, pounds (or newtons)	X = radial factor
Fr = radial load, pounds (or newtons)	Y = thrust factor

Table 1 • Relation of L₁₀ life and speed to $\left(\frac{C}{P}\right)$

Bearing Life Hours L ₁₀	Speed, n									
	50	100	200	300	400	500	600	700	800	
3000	1.93	2.38	2.93	3.31	3.61	3.86	4.07	4.27	4.44	
4000	2.11	2.59	3.19	3.61	3.93	4.20	4.44	4.65	4.84	
5000	2.25	2.77	3.42	3.86	4.20	4.50	4.75	4.97	5.18	
6000	2.38	2.93	3.61	4.07	4.44	4.75	5.02	5.25	5.47	
8000	2.59	3.19	3.93	4.44	4.84	5.18	5.47	5.73	5.96	
10000	2.77	3.42	4.20	4.75	5.18	5.54	5.85	6.12	6.37	
12000	2.93	3.61	4.44	5.02	5.47	5.85	6.18	6.47	6.73	
14000	3.07	3.78	4.65	5.25	5.73	6.12	6.47	6.77	7.05	
16000	3.19	3.93	4.84	5.47	5.96	6.37	6.73	7.05	7.34	
18000	3.31	4.07	5.02	5.66	6.18	6.60	6.97	7.30	7.60	
20000	3.42	4.20	5.18	5.85	6.37	6.81	7.20	7.54	7.85	
25000	3.65	4.50	5.54	6.25	6.81	7.29	7.70	8.06	8.39	
30000	3.86	4.75	5.85	6.60	7.20	7.70	8.13	8.51	8.86	
35000	4.04	4.97	6.12	6.92	7.54	8.06	8.51	8.92	9.28	
40000	4.20	5.18	6.37	7.20	7.85	8.39	8.86	9.28	9.66	
45000	4.36	5.36	6.60	7.46	8.13	8.69	9.18	9.61	10.00	
50000	4.50	5.54	6.81	7.70	8.39	8.97	9.48	9.92	10.30	
60000	4.75	5.85	7.20	8.13	8.86	9.48	10.00	10.50	10.90	
70000	4.97	6.12	7.54	8.51	9.28	9.92	10.50	11.00	11.40	
80000	5.18	6.37	7.85	8.86	9.66	10.30	10.90	11.40	11.90	
90000	5.36	6.60	8.13	9.18	10.00	10.70	11.30	11.80	12.30	
100000	5.54	6.81	8.39	9.48	10.30	11.00	11.70	12.20	12.70	
150000	6.25	7.70	9.48	10.70	11.70	12.50	13.20	13.80	14.40	
200000	6.81	8.39	10.30	11.70	12.70	13.60	14.40	15.00	15.70	

	Speed, n									
	900	1000	1200	1500	1800	2400	3000	3600	6000	
3000	4.60	4.75	5.02	5.36	5.66	6.18	6.60	6.97	8.13	
4000	5.02	5.18	5.47	5.85	6.18	6.73	7.20	7.60	8.86	
5000	5.36	5.54	5.85	6.25	6.60	7.20	7.70	8.13	9.48	
6000	5.66	5.85	6.18	6.60	6.97	7.60	8.13	8.59	10.00	
8000	6.18	6.37	6.73	7.20	7.60	8.29	8.86	9.36	10.90	
10000	6.60	6.81	7.20	7.70	8.13	8.86	9.48	10.00	11.70	
12000	6.97	7.20	7.60	8.13	8.59	9.36	10.00	10.60	12.30	
14000	7.30	7.54	7.96	8.51	8.99	9.80	10.50	11.10	12.90	
16000	7.60	7.85	8.29	8.86	9.36	10.20	10.90	11.50	13.40	
18000	7.88	8.13	8.59	9.18	9.70	10.60	11.30	11.90	13.90	
20000	8.13	8.39	8.86	9.48	10.00	10.90	11.70	12.30	14.40	
25000	8.69	8.97	9.48	10.10	10.70	11.70	12.50	13.20	15.40	
30000	9.18	9.48	10.00	10.70	11.30	12.30	13.20	13.90	16.20	
35000	9.61	9.92	10.50	11.20	11.80	12.90	13.80	14.60	17.00	
40000	10.00	10.30	10.90	11.70	12.30	13.40	14.40	15.20	17.70	
45000	10.40	10.70	11.30	12.10	12.80	13.90	14.90	15.70	18.30	
50000	10.70	11.00	11.70	12.50	13.20	14.40	15.40	16.20	18.90	
60000	11.30	11.70	12.30	13.20	13.90	15.20	16.20	17.10	20.00	
70000	11.80	12.20	12.90	13.80	14.60	15.90	17.00	17.90	20.90	
80000	12.30	12.70	13.40	14.40	15.20	16.50	17.70	18.70	21.80	
90000	12.80	13.20	13.90	14.90	15.70	17.10	18.30	19.40	22.60	
100000	13.20	13.60	14.40	15.40	16.20	17.70	18.90	20.00	23.30	
150000	14.90	15.40	16.20	17.30	18.30	20.00	21.40	22.60	26.30	
200000	16.20	16.70	17.70	18.90	20.00	21.80	23.30	24.60	28.70	

Basic Formula

$$\left(\frac{C}{P}\right) = \left(\frac{L_{10} \times n \times 60}{1,000,000}\right)^{3/10}$$

$$L_{10} = \frac{\left(\frac{C}{P}\right)^{10/3} \times 1,000,000}{n \times 60}$$

Life Expectancy

To calculate the Rating Life L₁₀ of any selected or trial bearing:

Step 1

Determine the equivalent radial load P.

a For radial load only:

$$P = Fr$$

b For combined radial and thrust load:

$$P = XFr + YFa$$

if $\frac{Fa}{Fr}$ is equal to or less than e, then

$$P = X1Fr + Y1Fa$$

if $\frac{Fa}{Fr}$ is greater than e, then

$$P = X2Fr + Y2Fa$$

For values of e, X1, Y1, X2, and Y2, consult the appropriate bearing rating Table 2 Table 4.

Step 2

Calculate the ratio of the basic load rating C to the equivalent radial load.

$$\left(\frac{C}{P}\right)$$

Step 3

Approximate the bearing life from Table 1.

Live Adjustment

The Rating Life, L₁₀, may be modified for some applications in accordance with the formula

$$Ln = a1a2a3L_{10}$$

where Ln = Adjusted life for (100-n) % reliability,

a₁ = Life adjustment factor for reliability

a₂ = Life adjustment factor

for material and processing

a₃ = Life adjustment factor for operating conditions.

For most normal applications, all factors will be taken as 1, and the Rating Life used as the selection basis or life estimate. In addition, as long as standard catalog bearings are used, a₂ will be normally set equal to one.

The factor a₃ covers such things as lubrication, misalignment, and temperature. Some conditions that could yield a₃ significantly different than unity include speeds less than 20000 DN or greater than 200000 DN, temperatures below -40°F (-40°C) or above 275°F (135°C). For other possible conditions, as well as additional information on life adjustment factors, consult Rexnord Bearing Division.

Table 2 • 6600, 6800, 7600, 7800 Series Load ratings and Speed Limits

Basic Bearing Number				Bearing Size Number	Co Static Load Rating pounds/ newtons	C Basic Load Rating pounds/ newtons	Approximate Speed Limit RPM*			e	$\frac{F_a}{F_r} \leq e$		$\frac{F_a}{F_r} > e$	
Adapter Mounted		Direct Shaft Mounted					Oil	Grease	D5 Seal 1mm Push-in#		X1	Y1	X2	Y2
Shaft Diameter inches/mm	Number	Bearing Seat mm	Number											
1 7/16	LB6823	22209LB	23600	20800	6200	5300	5300	0.26	1.00	2.6	0.67	3.9
1 1/2	LB6824													
40	LB68M40				105000	92500								
1 11/16	LB6827	22210LB	25500	22000	5500	5000	5000	0.26	1.00	2.8	0.67	4.2
1 3/4	LB6828													
45	LB68M45				113000	97900								
1 15/16	LB6831	22211LB	32500	27000	5000	4500	4500	0.23	1.00	2.9	0.67	4.4
2	LB6832													
50	LB68M50				145000	120000								
2 3/16	LB6835	22213LB	46500	38000	4300	3800	3800	0.24	1.00	2.8	0.67	4.2
60	LB68M60				207000	169000								
2 7/16	LB6839	75	LB7875	22215LB	53000	41500	3700	3400	3400	0.22	1.00	3.1	0.67	4.6
65	LB68M65				236000	185000								
2 11/16	LB6843	80	LB7880	22216LB	58500	46500	3500	3200	3200	0.22	1.00	3.1	0.67	4.7
70	LB68M70				260000	207000								
2 15/16	LB6847	85	LB7885	22217LB	73500	58500	3250	3000	3000	0.22	1.00	3.0	0.67	4.5
3	LB6848													
75	LB68M75				327000	260000								
3 3/16	LB6851	90	LB7890	22218LB	81500	64000	3000	2600	2600	0.23	1.00	2.9	0.67	4.3
80	LB68M80				363000	285000								
3 7/16	LB6855	100	LB78100	22220LB	104000	80000	2800	2200	2200	0.24	1.00	2.8	0.67	4.2
3 1/2	LB6856													
90	LB68M90				463000	356000								
3 11/16	LB6859	110	LB78110	22222LB	132000	102000	2500	2000	2000	0.25	1.00	2.7	0.67	4.0
3 15/16	LB6863													
4	LB6864				587000	454000								
100	LB68M100													
4 3/16	LB6867	120	LB78120	22224LB	163000	120000	2300	1900	1900	0.25	1.00	2.7	0.67	4.0
110	LB68M110				725000	534000								
4 7/16	LB6871	130	LB78130	22226LB	196000	143000	2100	1800	1800	0.26	1.00	2.6	0.67	3.9
4 1/2	LB6872													
115	LB68M115				872000	636000								
4 15/16	LB6879	140	LB78140	22228LB	228000	166000	1950	1700	1700	0.25	1.00	2.7	0.67	4.0
5	LB6880													
125	LB68M125				1010000	738000								

Table 2 • 6600, 6800, 7600, 7800 Series Load Ratings and Speed Limits (continued)

Basic Bearing Number				Bearing Size Number	Co Static Load Rating	C Basic Load Rating	Approximate Speed Limit RPM*			e	$\frac{F_a}{F_r} \leq e$		$\frac{F_a}{F_r} > e$			
Adapter Mounted		Direct Shaft Mounted					pounds/newtons	pounds/newtons	Oil		Grease	D5 Seal 1mm Push-in#	X1	Y1	X2	Y2
Shaft Diameter inches/mm	Number	Bearing Seat mm	Number													
5 3/16 135	LB6883 LB68M135	150	LB78150	22230LB	270000 1200000	190000 845000	1850	1600	1600	0.25	1.00	2.7	0.67	4.0		
5 7/16 140	LB6887 LB68M140	160	LB78160	22232LB	310000 1380000	216000 961000	1700	1500	1500	0.26	1.00	2.6	0.67	3.9		
5 15/16 6 150	LB6895 LB6896 LB68M150	170	LB78170	22234LB	345000 1530000	250000 1110000	1600	1300	1300	0.26	1.00	2.6	0.67	3.9		
6 7/16 6 1/2 160	LB68103 LB68104 LB68M160	180	LB78180	22236LB	365000 1620000	255000 1130000	1500	1300	1300	0.25	1.00	2.7	0.67	4.0		
6 15/16 7 170	LB68111 LB68112 LB68M170	190	LB78190	22238LB	415000 1850000	270000 1200000	1400	1200	1200	0.28	1.00	2.4	0.67	3.6		
7 3/16 180	LB68115 LB68M180	200	LB78200	22240LB	450000 2000000	300000 1330000	1300	1100	1100	0.29	1.00	2.3	0.67	3.5		
7 1/2 7 15/16 8 200	LB68120 LB68127 LB68128 LB68M200	220	LB78220	22244LB	550000 2450000	365000 1620000	1200	1000	1000	0.29	1.00	2.3	0.67	3.5		
8 7/16 8 1/2 8 15/16 9 220	LB66135 LB66136 LB66143 LB66144 LB66M220	240	LB76240	23048LB	490000 2180000	260000 1160000	1100	1000	1000	0.25	1.00	2.7	0.67	4.1		
9 7/16 9 1/2 9 15/16 10 10 7/16 10 1/2 260	LB66B151 LB66B152 LB66159 LB66160 LB66167 LB66168 LB66M260	280	LB76280	23056LB	670000 2980000	345000 1530000	950	850	850	0.25	1.00	2.7	0.67	4.1		

* Speed limits are based on the following:

1. Type R seals properly aligned.
 - a. For the type B seals, limit is 800 surface feet per minute (4.0 m/s) with good alignment.
 - b. For type D8 seals, limit is 1500 surface feet per minute (7.6 m/s) with good alignment.
2. Proper operating internal clearance.
3. Adequate lubrication and maintenance (special lubricants and/or more frequent relubrication may be required).
4. Normal room temperature environment and no extraneous heat sources, such that bearing operating temperature does not exceed 100°C (212°F).
5. Equivalent radial load not greater than 7% of C.
6. Axial load, if any, not greater than 20% of radial load.

D5 Pentac™ speed limits in the chart are based on pushing the Pentac™ seal against the housing face a distance of 1 mm as specified by the service instructions. The Pentac™ seal can be pressed in a distance of 2 mm for high contaminant environments. The speed limit at a 2 mm "Push-In" distance should be limited to 80% of those listed in the chart.

Table 3 • Radial Load Ratings in Pounds at Various RPM for Appropriate L₁₀ Life Hours

Basic Unit Number		L ₁₀ Minimum Life, hours	Radial Load Ratings, Pounds																	
Adapter Mounted	Direct Shaft Mounted		Speed, RPM																	
			50	100	200	300	400	500	600	700	800	900	1000	1200	1500	1800	2000	2500	3000	3500
LB6823		8000	8017	6512	5289	4683	4296	4018	3804	3632	3490	3368	3264	3090	2890	2736	2651	2479	2347	2241
LB6824		20000	6090	4947	4018	3558	3264	3052	2890	2759	2651	2559	2479	2347	2195	2078	2014	1883	1783	1703
LB68M40		40000	4947	4018	3264	2890	2651	2479	2347	2241	2153	2078	2014	1907	1783	1688	1636	1530	1448	1383
		100000	3758	3052	2479	2195	2014	1883	1783	1703	1636	1579	1530	1448	1355	1282	1243	1162	1100	1051
LB6827		8000	8479	6887	5594	4954	4544	4250	4024	3842	3691	3563	3452	3268	3056	2894	2804	2622	2483	2370
LB6828		20000	6441	5232	4250	3763	3452	3228	3056	2918	2804	2706	2622	2483	2322	2198	2130	1992	1886	1801
LB68M45		40000	5232	4250	3452	3056	2804	2622	2483	2370	2277	2198	2130	2017	1886	1786	1730	1618	1532	1463
		100000	3975	3228	2622	2322	2130	1992	1886	1801	1730	1670	1618	1532	1433	1356	1314	1229	1164	1111
LB6831		8000	10406	8453	6866	6079	5577	5216	4938	4715	4530	4372	4236	4011	3751	3551	3441	3218	3047	2909
LB6832		20000	7905	6421	5216	4618	4236	3962	3751	3582	3441	3322	3218	3047	2850	2698	2614	2445	2315	2210
LB68M50		40000	6421	5216	4236	3751	3441	3218	3047	2909	2795	2698	2614	2475	2315	2191	2123	1986	1880	1795
		100000	4878	3962	3218	2850	2614	2445	2315	2210	2123	2049	1986	1880	1758	1665	1613	1508	1428	1364
LB6835		8000	14646	11896	9663	8556	7849	7340	6950	6636	6375	6154	5962	5645	5279	4998	4843	4529	4288	4094
LB68M60		20000	11126	9037	7340	6500	5962	5576	5279	5041	4843	4675	4529	4288	4011	3797	3679	3441	3258	3110
		40000	9037	7340	5962	5279	4843	4529	4288	4094	3934	3797	3679	3483	3258	3084	2988	2795	2646	2526
		100000	6865	5576	4529	4011	3679	3441	3258	3110	2988	2884	2795	2646	2475	2343	2270	2123	2010	1919
LB6839	LB7875	8000	15995	12992	10553	9344	8572	8016	7590	7247	6962	6721	6511	6165	5766	5459	5289	4946	4683	4472
LB68M65		20000	12151	9869	8016	7098	6511	6090	5766	5505	5289	5105	4946	4683	4380	4147	4018	3758	3558	3397
		40000	9869	8016	6511	5766	5289	4946	4683	4472	4296	4147	4018	3804	3558	3368	3263	3052	2890	2759
		100000	7497	6090	4946	4380	4018	3758	3558	3397	3263	3150	3052	2890	2703	2559	2479	2319	2195	2096
LB6843	LB7880	8000	17922	14557	11824	10470	9604	8982	8504	8120	7801	7530	7296	6908	6460	6116	5926	5542	5247	5010
LB68M70		20000	13615	11059	8982	7954	7296	6824	6460	6168	5926	5720	5542	5247	4908	4646	4502	4210	3986	3806
		40000	11059	8982	7296	6460	5926	5542	5247	5010	4814	4646	4502	4262	3986	3774	3657	3420	3238	3091
		100000	8401	6824	5542	4908	4502	4210	3986	3806	3657	3530	3420	3238	3028	2867	2778	2598	2460	2348
LB6847	LB7885	8000	22547	18314	14876	13172	12083	11300	10699	10215	9814	9474	9179	8690	8127	7695	7455	6973	6602	6303
LB6848		20000	17128	13912	11300	10006	9179	8584	8127	7760	7455	7197	6973	6602	6174	5845	5664	5297	5015	4788
LB68M75		40000	13912	11300	9179	8127	7455	6973	6602	6303	6056	5845	5664	5362	5015	4748	4600	4302	4073	3889
		100000	10569	8584	6973	6174	5664	5297	5015	4788	4600	4441	4302	4073	3810	3607	3495	3268	3094	2955
LB6851	LB7890	8000	24667	20036	16274	14410	13219	12363	11705	11176	10737	10364	10042	9507	8892	8418	8156	7628	7222	6896
LB68M80		20000	18738	15220	12363	10947	10042	9391	8892	8490	8156	7873	7628	7222	6755	6395	6196	5795	5486	5238
		40000	15220	12363	10042	8892	8156	7628	7222	6896	6625	6395	6196	5866	5486	5194	5033	4707	4456	4255
		100000	11562	9391	7628	6755	6196	5795	5486	5238	5033	4858	4707	4456	4168	3946	3823	3576	3385	3232
LB6855	LB78100	8000	30834	25045	20343	18013	16523	15453	14631	13970	13421	12955	12552	11884	11115	10523	10196	9535	9028	8620
LB6856		20000	23423	19025	15453	13684	12552	11739	11115	10612	10196	9842	9535	9028	8443	7994	7745	7244	6788	6397
LB68M90		40000	19025	15453	12552	11115	10196	9535	9028	8620	8281	7994	7745	7333	6858	6493	6291	5884	5584	5296
		100000	14453	11739	9535	8443	7745	7244	6858	6548	6291	6073	5884	5570	5210	4932	4779	4470	4208	3996
LB6859	LB78110	8000	39313	31932	25937	22966	21067	19703	18654	17811	17112	16518	16004	15152	14171	13417	12999	12158	11529	10985
LB6863		20000	29864	24257	19703	17447	16004	14968	14171	13531	12999	12548	12158	11510	10765	10192	9875	9349	8744	8279
LB6864		40000	24257	19703	16004	14171	12999	12158	11510	10990	10559	10192	9875	9349	8744	8279	8021	7502	7052	6699
LB68M100		100000	18427	14968	12158	10765	9875	9236	8744	8349	8021	7743	7502	7102	6642	6289	6093	5699	5399	5111
LB6867	LB78120	8000	46251	37567	30514	27019	24785	23180	21946	20955	20132	19433	18828	17826	16672	15784	15293	14618	13936	13369
LB68M110		20000	35135	28538	23180	20525	18828	17609	16672	15918	15293	14762	14303	13542	12665	11991	11618	10999	10287	9739
		40000	28538	23180	18828	16672	15293	14303	13542	12930	12422	11991	11618	10999	10287	9739	9436	8936	8436	8036
		100000	21679	17609	14303	12665	11618	10865	10287	9822	9436	9109	8825	8356	7815	7399	7168	6768	6368	6068
LB6871	LB78130	8000	55115	44768	36363	32198	29536	27623	26153	24971	23990	23157	22437	21243	19867	18810	18224	17429	16606	15844
LB6872		20000	41869	34008	27623	24459	22437	20984	19867	18969	18224	17592	17044	16137	15092	14289	13844	13107	12259	11606
LB68M115		40000	34008	27623	22437	19867	18224	17044	16137	15408	14803	14289	13844	13107	12259	11606	11245	10606	10006	9446
		100000	25834	20984	17044	15092	13844	12948	12259	11705	11245	10855	10517	9957	9312	8817	8542	8042	7542	7042
LB6879	LB78140	8000	63980	51968	42211	37377	34286	32066	30359	28987	27849	26882	26046	24659	23063	21835	21099	20099	19199	18399
LB6880		20000	48603	39478	32066	28393	26046	24359	23063	22020	21156	20421	19786	18733	17520	16587	15942	15092	14342	13692
LB68M125		40000	39478	32066	26046	23063	21156	19786	18733	17886	17184	16587	16071	15216	14230	13473	12928	12178	11528	10978
		100000	29990	24359	19786	17520	16071	15030	14230	13587	13054	12601	12209	11559	10810	10235	9735	9235	8735	8235
LB6883	LB78150	8000	73230	59481	48314	42780	39243	36702	34748	33178	31875	30769	29811	28225	26397	24992	24042	22552	21302	20152
LB68M135		20000	55630	45186	36702	32498	29811	27881	26397	25204	24214	23374	22646	21441	20053	18985	18285	17385	16685	15985
		40000	45186	36702	29811	26397	24214	22646	21441	20472	19668	18985	18395	17415	16288	15421	14828	14028	13328	12628
		100000	34326	27881	22646	20053	18395	17204	16288	15552	14941	14422	13974	13230	12373	11715	11215	10615	10015	9415
LB6887	LB78160	8000	83251	67621	54925	48635	44613	41724	39504	37718	36237	34979	33891	32087	30099	28309	27099	25699	24499	23299
LB68M140		20000	63242	51369	41724	36946	33891	31696	30009	28653	27528	26572	25745	24375	22797	21427	20697	19527	18657	17787
		40000	51369	41724	33891	30009	27528	25745	24375	23273	22360	21583	20912	19799	18517	17466	16736	15786	14936	14186
		100000																		

Table 4 • Series 6900, 7900, SAF22600, SAF22300 Load Ratings and Speed Limits

Basic Bearing Number				Bearing Size Number	Co Static Load Rating	C Basic Load Rating	Approximate Speed Limit RPM*		e	$\frac{F_a}{F_r} \leq e$		$\frac{F_a}{F_r} > e$	
Adapter Mounted		Direct Shaft Mounted					Oil	Grease		X1	Y1	X2	Y2
Shaft Diameter	Number	Bearing Seat mm	Number										
inches													
1 7/16	LB6923	45	LB7945	22309LB	40000	35500	4800	3800	0.36	1.00	1.9	0.67	2.8
1 1/2	LB6924				178000	158000							
1 11/16	LB6927	50	LB7950	22310LB	48000	42500	4300	3400	0.36	1.00	1.9	0.67	2.8
					214000	189000							
1 15/16	LB6931	55	LB7955	22311LB	57000	50000	4000	3200	0.36	1.00	1.9	0.67	2.8
2	LB6932				254000	222000							
2 3/16	LB6935	65	LB7965	22313LB	80000	65500	3400	2600	0.34	1.00	2.0	0.67	3.0
					356000	291000							
2 7/16	LB6939	75	LB7975	22315LB	98000	83000	3000	2200	0.34	1.00	2.0	0.67	3.0
2 1/2	LB6940				436000	369000							
2 11/16	LB6943	80	LB7980	22316LB	112000	93000	2800	2000	0.34	1.00	2.0	0.67	3.0
					498000	414000							
2 15/16	LB6947	85	LB7985	22317LB	122000	102000	2600	1900	0.33	1.00	2.0	0.67	3.0
					543000	454000							
3 3/16	22618-303	90	22318	22318LB	140000	114000	2400	1800	0.33	1.00	2.0	0.67	3.0
					623000	507000							
3 7/16	22620-307	100	22320	22320LB	183000	146000	2200	1700	0.34	1.00	2.0	0.67	3.0
3 1/2	22620-308				814000	649000							
3 15/16	22622-315	110	22322	22322LB	236000	180000	2000	1600	0.33	1.00	2.1	0.67	3.1
4	22622-400				1050000	801000							
4 3/16	22624-403	120	22324	22324LB	260000	204000	1800	1400	0.33	1.00	2.1	0.67	3.1
					1160000	907000							
4 7/16	22626-407	130	22326	22326LB	305000	236000	1700	1300	0.33	1.00	2.1	0.67	3.1
					1360000	1050000							
4 15/16	22628-415	140	22328	22328LB	360000	275000	1500	1100	0.34	1.00	2.0	0.67	3.0
5	22628-500				1600000	1220000							
5 3/16	22630-503	150	22330	22330LB	405000	310000	1400	1000	0.33	1.00	2.0	0.67	3.0
					1800000	1380000							
5 7/16	22632-507	160	22332	22332LB	425000	325000	1300	950	0.37	1.00	1.8	0.67	2.7
					1890000	1450000							
5 15/16	22634-515	170	22334	22334LB	475000	360000	1300	950	0.37	1.00	1.8	0.67	2.7
					2110000	1600000							

If the load P is greater than .25C, consult Rexnord Bearing Division.

*Speed limits are based on the following:

1. Negligible seal torque (e.g., non-contact seals)
2. Proper operating internal clearance.
3. Adequate lubrication and maintenance (special lubricants and/or more frequent relubrication may be required).
4. Normal room temperature environment and no extraneous heat sources, such that bearing operating temperature does not exceed 100°C (212°F).
5. Equivalent radial load not greater than 7% of C.
6. Axial load, if any, not greater than 20% of radial load.

Table 5 • Radial Load Ratings in Pounds at Various RPM for Appropriate L₁₀ Life Hours

Basic Unit Number		L ₁₀ Minimum Life, hours	Radial Load Ratings, Pounds																	
Adapter Mounted	Direct Shaft Mounted		Speed, RPM																	
			50	100	200	300	400	500	600	700	800	900	1000	1200	1500	1800	2000	2500	3000	3500
LB6923 LB6924	LB7945	8000	13682	11114	9027	7993	7332	6857	6492	6199	5956	5749	5570	5274	4932	4670	4524	4231	4006	3825
		20000	10394	8443	6857	6072	5570	5209	4932	4709	4524	4367	4231	4006	3747	3547	3437	3214	3043	2906
		40000	8443	6857	5570	4932	4524	4231	4006	3825	3675	3547	3437	3254	3043	2881	2792	2611	2472	2360
		100000	6413	5209	4231	3747	3437	3214	3043	2906	2792	2695	2611	2472	2312	2189	2121	1983	1878	1793
LB6927	LB7950	8000	16380	13305	10807	9569	8778	8210	7773	7421	7130	6882	6668	6313	5905	5590	5416	5066	4796	4579
		20000	12444	10107	8210	7269	6668	6237	5905	5638	5416	5228	5066	4796	4485	4247	4115	3848	3643	3479
		40000	10107	8210	6668	5905	5416	5066	4796	4579	4399	4247	4115	3896	3643	3449	3342	3126	2959	2826
		100000	7678	6237	5066	4485	4115	3848	3643	3479	3342	3226	3126	2959	2768	2620	2539	2374	2248	2146
LB6931 LB6932	LB7955	8000	19271	15653	12714	11258	10327	9658	9144	8731	8388	8097	7845	7428	6947	6577	6372	5960	5642	5387
		20000	14639	11891	9658	8552	7845	7337	6947	6633	6372	6151	5960	5642	5277	4996	4841	4527	4286	4093
		40000	11891	9658	7845	6947	6372	5960	5642	5387	5176	4996	4841	4583	4286	4058	3932	3677	3482	3324
		100000	9033	7337	5960	5277	4841	4527	4286	4093	3932	3795	3677	3482	3256	3083	2987	2793	2645	2525
LB6935	LB7965	8000	25245	20505	16656	14748	13529	12653	11979	11438	10989	10607	10277	9730	9100	8616	8348	7807	7391	7057
		20000	19178	15577	12653	11203	10277	9612	9100	8689	8348	8058	7807	7391	6913	6545	6341	5931	5615	5361
		40000	15577	12653	10277	9100	8348	7807	7391	7057	6780	6545	6341	6004	5615	5316	5151	4817	4561	4355
		100000	11833	9612	7807	6913	6341	5931	5615	5361	5151	4972	4817	4561	4265	4038	3913	3659	3465	3308
LB6939 LB6940	LB7975	8000	31990	25984	21106	18688	17143	16033	15180	14494	13924	13441	13023	12330	11531	10918	10578	9893	9366	8943
		20000	24301	19739	16033	14197	13023	12180	11531	11010	10578	10211	9893	9366	8760	8294	8036	7515	7115	6794
		40000	19739	16033	13023	11531	10578	9893	9366	8943	8592	8294	8036	7608	7115	6736	6527	6104	5779	5518
		100000	14995	12180	9893	8760	8036	7515	7115	6794	6527	6300	6104	5779	5405	5117	4958	4637	4390	4192
LB6943	LB7980	8000	35844	29115	23648	20940	19208	17965	17008	16240	15602	15060	14592	13815	12921	12233	11852	11085	10495	10021
		20000	27229	22117	17965	15907	14592	13647	12921	12337	11852	11441	11085	10495	9815	9293	9004	8421	7972	7612
		40000	22117	17965	14592	12921	11852	11085	10495	10021	9627	9293	9004	8524	7972	7548	7313	6840	6476	6183
		100000	16801	13647	11085	9815	9004	8421	7972	7612	7313	7059	6804	6476	6056	5734	5556	5196	4919	4697
LB6947	LB7985	8000	39313	31932	25937	22966	21067	19703	18654	17811	17112	16518	16004	15152	14171	13417	12999	12158	11510	10990
		20000	29864	24257	19703	17447	16004	14968	14171	13531	12999	12548	12158	11510	10765	10192	9875	9236	8744	8349
		40000	24257	19703	16004	14171	12999	12158	11510	10990	10559	10192	9875	9349	8744	8279	8021	7502	7102	6781
		100000	18427	14968	12158	10765	9875	9236	8744	8349	8021	7743	7502	7102	6642	6289	6093	5699	5395	5152
22618	22318	8000	43938	35689	28988	25668	23546	22021	20849	19907	19125	18461	17887	16935	15838	14995	14529	13588	12865	12283
		20000	33378	27111	22021	19499	17887	16729	15838	15122	14529	14024	13588	12865	12032	11391	11037	10322	9773	9331
		40000	27111	22021	17887	15838	14529	13588	12865	12283	11801	11391	11037	10449	9773	9253	8965	8384	7938	7579
		100000	20595	16729	13588	12032	11037	10322	9773	9331	8965	8653	8384	7938	7424	7029	6810	6369	6030	5758
22620	22320	8000	56272	45707	37125	32873	30155	28203	26701	25495	24494	23643	22908	21688	20284	19204	18607	17402	16476	15731
		20000	42747	34722	28203	24973	22908	21424	20284	19367	18607	17961	17402	16476	15409	14589	14135	13220	12516	11950
		40000	34722	28203	22908	20284	18607	17402	16476	15731	15113	14589	14135	13382	12516	11850	11481	10738	10166	9707
		100000	26376	21424	17402	15409	14135	13220	12516	11950	11481	11082	10738	10166	9508	9002	8722	8157	7723	7374
22622	22322	8000	69376	56351	45771	40529	37178	34770	32920	31432	30198	29149	28242	26739	25008	23677	22940	21454	20313	19395
		20000	52702	42807	34770	30788	28242	26414	25008	23877	22940	22143	21454	20313	18997	17986	17426	16298	15431	14733
		40000	42807	34770	28242	25008	22940	21454	20313	19395	18633	17986	17426	16499	15431	14609	14155	13238	12534	11967
		100000	32519	26414	21454	18997	17426	16298	15431	14733	14155	13663	13238	12534	11722	11098	10753	10056	9521	9091
22624	22324	8000	78626	63864	51874	45933	42135	39406	37309	35623	34224	33036	32008	30304	28342	26833	25999	24315	23021	21980
		20000	59729	48515	39406	34893	32008	29935	28342	27061	25999	25096	24315	23021	21530	20384	19750	18699	17488	16657
		40000	48515	39406	32008	28342	25999	24315	23021	21980	21117	20384	19750	18699	17488	16557	16042	15003	14205	13563
		100000	36855	29935	24315	21530	19750	18471	17488	16698	16042	15485	15003	14205	13285	12578	12186	11397	10791	10303
22626	22326	8000	90960	73882	60011	53138	48744	45588	43161	41211	39592	38218	37029	35058	32788	31043	30077	28129	26632	25428
		20000	69098	56125	45588	40367	37029	34631	32788	31306	30077	29033	28129	26632	24908	23582	22848	21369	20231	19317
		40000	56125	45588	37029	32788	30077	28129	26632	25428	24430	23582	22848	21632	20231	19154	18558	17357	16433	15690
		100000	42636	34631	28129	24908	22848	21369	20231	19317	18558	17914	17357	16433	15369	14551	14098	13185	12483	11919
22628	22328	8000	105991	86092	69928	61919	56799	53121	50294	48021	46135	44534	43148	40851	38206	36173	35047	32778	31033	29631
		20000	80517	65400	53121	47037	43148	40354	38206	36480	35047	33830	32778	31033	29024	27479	26624	24900	23574	22509
		40000	65400	53121	43148	38206	35047	32778	31033	29631	28467	27479	26624	25207	23574	22320	21625	20225	19148	18283
		100000	49682	40354	32778	29024	26624	24900	23574	22509	21625	20874	20225	19148	17909	16955	16428	15364	14546	13889
22630	22330	8000	119481	97049	78828	69800	64028	59882	56695	54133	52007	50201	48640	46051	43069	40776	39508	36949	34983	33402
		20000	90765	73724	59882	53024	48640	45490	43069	41122	39508	38136	36949	34983	32717	30976	30012	28069	26575	25374
		40000	73724	59882	48640	43069	39508	36949	34983	33402	32090	30976	30012	28415	26575	25160	24378	22799	21585	20610
		100000	56005	45490	36949	32717	30012	28069	26575	25374	24378	23531	22799	21585	20188	19113	18519	17319	16398	15657
22632	22332	8000	125262	101745	82642	73177	67126	62780	59438	56752	54524	52631	50993	48279	45153	42749	41419	38737	36675	35018
		20000	95156	77291	62780	55589	50993	47691	45153	43112	41419	39981	38737	36675	34301	32475	31464	29427	27861	26602
		40000	77291	62780	50993	45153	41419	38737	36675	35018	33643	32475	31464	29790	27861	26378	25557	23902	22630	21607
		100000	58715	47691	38737	34301	31464	29427	27861	26602	25557	24670	23902	22630</						

Table 6 • Series PLB23000K and PLB23000 Load Ratings and Speed Limits

Basic Bearing Number				Co Static Load Rating		C Basic Load Rating		Approximate Speed Limit RPM		e	Fa/Fr ≤ e		Fa/Fr > e	
Adapter Mounted		Direct Shaft Mounted									X1	Y1	X2	Y2
Shaft diameter (inches)	Number	Bearing Seat (mm)	Number	pounds	newtons	pounds	newtons	Grease	Oil					
7-15/16 8	23044K	220	23044	445100	1980000	254000	1090000	950	1200	0.24	1.00	2.80	0.67	4.10
8-1/2 8-15/16 9	23048K	240	23048	490000	2180000	260000	1160000	950	1100	0.25	1.00	2.70	0.67	4.10
9-7/16 9-1/2	23052K	260	23052	580000	2580000	321500	1430000	800	950	0.25	1.00	2.70	0.67	4.10
9-15/16 10 10-7/16	23056K	280	23056	670000	2980000	345000	1530000	800	950	0.25	1.00	2.70	0.67	4.10
10-15/16 11	23060K	300	23060	832000	3700000	431600	1920000	670	850	0.24	1.00	2.80	0.67	4.20
11-15/16 12	23064K	320	23064	865500	3850000	440600	1960000	630	800	0.24	1.00	2.80	0.67	4.20
12-1/2	23068K	340	23068	989200	4400000	512600	2280000	560	710	0.24	1.00	2.80	0.67	4.20
12-15/16 13	23072K	360	23072	1056600	4700000	537500	2390000	530	670	0.24	1.00	2.80	0.67	4.20
13-15/16 14	23076K	380	23076	1146500	5100000	562000	2500000	530	630	0.22	1.00	3.00	0.67	4.50
15	23080K	400	23080	1326500	5900000	668000	2970000	480	600	0.23	1.00	3.00	0.67	4.40
15-3/4	23084K	420	23084	1315200	5850000	654200	2910000	450	560	0.23	1.00	2.90	0.67	4.30
16-1/2	23088K	440	23088	1427500	6350000	708200	3150000	430	530	0.23	1.00	2.90	0.67	4.30
17	23092K	460	23092	1596200	7100000	775600	3450000	400	500	0.22	1.00	3.10	0.67	4.60
18	23096K	480	23096	1787200	7950000	854300	3800000	400	480	0.22	1.00	3.10	0.67	4.60
19-1/2	230530K			2068200	9200000	989200	4400000	340	430	0.22	1.00	3.10	0.67	4.60
21	230560K			2405500	10700000	1124000	5000000	320	400	0.22	1.00	3.00	0.67	4.50
22	230600K			2743000	12200000	1225200	5450000	300	360	0.21	1.00	3.30	0.67	4.80
24	230630K			2855000	12700000	1326400	5900000	280	340	0.22	1.00	3.10	0.67	4.70

Table 7 • Radial Load Ratings in Pounds at Various RPM for Appropriate L₁₀ Life Hours

Basic Unit Number	L ₁₀ Minimum Life (hours)	Radial Load Ratings, Pounds											
		Speed, RPM											
		50	100	200	300	400	500	600	700	800	900	1000	1200
23044	8000	*	*	*	57191	52462	49065	46453	44354	42612	41133	39853	37732
	20000	*	60406	49065	43445	39853	37272	35289	33694	32371	31247	30275	28663
	40000	60406	49065	39853	35289	32371	30275	28663	27368	26293	25380	24591	23282
	100000	45888	37272	30275	26807	24591	22998	21774	20790	19974	19280	18680	17686
23048	8000	*	*	*	58542	53701	50224	47551	45402	43619	42104	40794	
	20000	*	61833	50224	44472	40794	38153	36122	34490	33135	31985	30990	
	40000	61833	50224	40794	36122	33135	30990	29340	28014	26914	25980	25172	
	100000	46972	38153	30990	27440	25172	23542	22289	21281	20446	19736	19122	
23052	8000	*	*	*	72389	66403	62104	58798	56141	53936	52064		
	20000	*	76459	62104	54991	50444	47178	44666	42648	40973	39551		
	40000	76459	62104	50444	44666	40973	38320	36280	34641	33281	32125		
	100000	58082	47178	38320	33931	31126	29110	27561	26315	25282	24404		
23056	8000	*	*	*	77680	71257	66643	63096	60244	57879	55869		
	20000	*	82047	66643	59010	54131	50626	47931	45765	43968	42442		
	40000	82047	66643	54131	47931	43968	41121	38932	37173	35713	34473		
	100000	62328	50626	41121	36411	33401	31238	29575	28239	27130	26188		
23060	8000	*	*	*	97179	89144	83372	78934	75367	72407			
	20000	*	102642	83372	73823	67719	63334	59963	57253	55005			
	40000	102642	83372	67719	59963	55005	51443	48705	46504	44678			
	100000	77973	63334	51443	45551	41785	39079	36999	35327	33940			
23064	8000	*	*	*	99205	91003	85110	80580	76938	73917			
	20000	*	104783	85110	75362	69131	64655	61213	58447	56152			
	40000	104783	85110	69131	61213	56152	52516	49721	47474	45609			
	100000	79599	64655	52516	46501	42656	39894	37771	36064	34648			
23068	8000	*	*	*	115417	105874	99018	93748	89511				
	20000	*	121906	99018	87677	80428	75220	71216	67998				
	40000	121906	99018	80428	71216	65328	61098	57846	55231				
	100000	92607	75220	61098	54100	49627	46413	43943	41957				
23072	8000	*	*	*	121024	111017	103828	98302					
	20000	*	127827	103828	91936	84335	78874	74676					
	40000	127827	103828	84335	74676	68501	64065	60655					
	100000	97105	78874	64065	56728	52037	48668	46077					
23076	8000	*	*	*	126540	116077	108561	102782					
	20000	*	133654	108561	96127	88179	82469	78079					
	40000	133654	108561	88179	78079	71623	66986	63420					
	100000	101531	82469	66986	59314	54409	50886	48178					
23080	8000	*	*	*	150407	137970	129037	122168					
	20000	*	158863	129037	114258	104810	98024	92806					
	40000	158863	129037	104810	92806	85132	79620	75382					
	100000	120681	98024	79620	70501	64672	60484	57265					
23084	8000	*	*	*	147300	135120	126371						
	20000	*	155581	126371	111897	102645	95999						
	40000	155581	126371	102645	90889	83374	77975						
	100000	118188	95999	77975	69044	63335	59234						
23088	8000	*	*	*	159458	146273	136802						
	20000	*	168423	136802	121134	111118	103923						
	40000	168423	136802	111118	98391	90256	84411						
	100000	127944	103923	84411	74744	68563	64124						
23092	8000	*	*	*	174634	160194	149822						
	20000	*	184452	149822	132662	121693	113813						
	40000	184452	149822	121693	107755	98845	92445						
	100000	140120	113813	92445	81857	75089	70227						
23096	8000	*	*	*	192354	176449							
	20000	*	203168	165024	146123	134041							
	40000	203168	165024	134041	118689	108875							
	100000	154338	125362	101825	90163	82708							
230530	8000	*	*	*	222728	204312							
	20000	*	235250	191082	169197	155207							
	40000	235250	191082	155207	137431	126067							
	100000	178710	145157	117904	104400	95768							
230560	8000	*	*	*	253080	232154							
	20000	*	267308	217122	192254	176358							
	40000	267308	217122	176358	156159	143247							
	100000	203063	164938	133971	118627	108819							
230600	8000	*	*	*	275866								
	20000	*	291375	236670	209564								
	40000	291375	236670	192236	170219								
	100000	221345	179788	146034	129308								
230630	8000	*	*	*	298652								
	20000	*	315442	256219	226873								
	40000	315442	256219	208114	184279								
	100000	239628	194639	158096	139989								

Table 8 • Series PLB23100K and PLB23100 Load Ratings and Speed Limits

Basic Bearing Number				Co Static Load Rating		C Basic Load Rating		Approximate Speed Limit RPM		e	Fa/Fr ≤ e		Fa/Fr > e	
Adapter Mounted		Direct Shaft Mounted									X1	Y1	X2	Y2
Shaft Diameter (inches)	Number	Bearing Seat (mm)	Number	pounds	newtons	pounds	newtons	Grease	Oil					
8	23144K	220	23144	609200	2710000	353000	1570000	710	950	0.30	1.00	2.20	0.67	3.30
8-15/16	23148K	240	23148	697000	3100000	402500	1790000	670	850	0.30	1.00	2.20	0.67	3.30
9-7/16	23152K	260	23152	843000	3750000	485500	2160000	600	800	0.32	1.00	2.10	0.67	3.20
10-7/16	23156K	280	23156	899300	4000000	501500	2230000	560	750	0.30	1.00	2.20	0.67	3.30
10-15/16	23160K	300	23160	1079000	4800000	600500	2670000	500	670	0.31	1.00	2.20	0.67	3.30
11-15/16	23164K	320	23164	1236500	5500000	685700	3050000	480	600	0.31	1.00	2.10	0.67	3.20
12-7/16	23168K	340	23168	1483800	6600000	809500	3600000	430	560	0.31	1.00	2.10	0.67	3.20
13-7/16	23172K	360	23172	1596200	7100000	854500	3800000	400	530	0.31	1.00	2.20	0.67	3.20
13-15/16	23176K	380	23176	1708500	7600000	899200	4000000	400	500	0.30	1.00	2.20	0.67	3.30
15	23180K	400	23180	1776000	7900000	933000	4150000	380	480	0.29	1.00	2.30	0.67	3.40
15-3/4	23184K	420	23184	2113200	9400000	1124000	5000000	340	450	0.31	1.00	2.20	0.67	3.30
16-1/2	23188K	440	23188	2315500	10300000	1191500	5300000	320	430	0.30	1.00	2.20	0.67	3.30
17	23192K	460	23192	2450500	10900000	1281400	5700000	300	400	0.31	1.00	2.20	0.67	3.30
18	23196K	480	23196	2630500	11700000	1360100	6050000	300	380	0.31	1.00	2.20	0.67	3.30
19-1/2	231530K	530	231530	3169800	14100000	1607400	7150000	260	340	0.30	1.00	2.20	0.67	3.30
21	231560K	560	231560	3484500	15500000	1764800	7850000	240	320	0.30	1.00	2.20	0.67	3.40

Table 9 • Radial Load Ratings in Pounds at Various RPM for Appropriate L₁₀ Life Hours

Basic Unit Number	L ₁₀ Minimum Life (hours)	Radial Load Ratings, Pounds									
		Speed, RPM									
		50	100	200	300	400	500	600	700	800	900
23144	8000	*	*	*	79481	72910	68189	64559	61641	59221	57165
	20000	*	83950	68189	60379	55386	51800	49043	46826	44988	43426
	40000	83950	68189	55386	49043	44988	42075	39835	38035	36541	35273
	100000	63773	51800	42075	37256	34175	31962	30261	28893	27759	26795
23148	8000	*	*	*	90627	83133	77750	73612	70285	67525	
	20000	*	95722	77750	68845	63153	59064	55920	53393	51296	
	40000	95722	77750	63153	55920	51296	47975	45421	43368	41665	
	100000	72716	59064	47975	42480	38967	36444	34504	32945	31651	
23152	8000	*	*	*	109315	100276	93783	88792	84779	81450	
	20000	*	115461	93783	83042	76176	71243	67451	64403	61874	
	40000	115461	93783	76176	67451	61874	57868	54787	52311	50257	
	100000	87711	71243	57868	51240	47003	43960	41620	39739	38178	
23156	8000	*	*	*	112918	103581	96874	91718	87573		
	20000	*	119266	96874	85779	78686	73591	69674	66525		
	40000	119266	96874	78686	69674	63913	59775	56593	54035		
	100000	90601	73591	59775	52928	48552	45408	42991	41048		
23160	8000	*	*	*	135209	124029	115998	109823			
	20000	*	142810	115998	102712	94219	88119	83428			
	40000	142810	115998	94219	83428	76530	71575	67765			
	100000	108487	88119	71575	63377	58137	54372	51478			
23164	8000	*	*	*	154392	141626	132456	125405			
	20000	*	163072	132456	117285	107587	100621	95265			
	40000	163072	132456	107587	95265	87388	81730	77379			
	100000	123879	100621	81730	72369	66385	62087	58782			
23168	8000	*	*	*	182267	167196	156370				
	20000	*	192514	156370	138461	127012	118788				
	40000	192514	156370	127012	112465	103166	96486				
	100000	146245	118788	96486	85435	78371	73296				
23172	8000	*	*	*	192399	176491	165063				
	20000	*	203216	165063	146158	134072	125391				
	40000	203216	165063	134072	118717	108901	101849				
	100000	154375	125391	101849	90184	82727	77371				
23176	8000	*	*	*	202464	185723	173697				
	20000	*	213846	173697	153803	141086	131950				
	40000	213846	173697	141086	124927	114597	107177				
	100000	162450	131950	107177	94902	87055	81418				
23180	8000	*	*	*	210074	192704					
	20000	*	221885	180226	159585	146389					
	40000	221885	180226	146389	129623	118905					
	100000	168556	136910	111206	98469	90327					
23184	8000	*	*	*	253080	232154					
	20000	*	267308	217122	192254	176358					
	40000	267308	217122	176358	156159	143247					
	100000	203063	164938	133971	118627	108819					
23188	8000	*	*	*	268278	246096					
	20000	*	283361	230160	203800	186948					
	40000	283361	230160	186948	165537	151849					
	100000	215257	174843	142017	125751	115353					
23192	8000	*	*	*	288520	264664					
	20000	*	304741	247526	219176	201054					
	40000	304741	247526	201054	178027	163306					
	100000	231499	188035	152732	135239	124057					
23196	8000	*	*	*	306240						
	20000	*	323457	262729	232638						
	40000	323457	262729	213402	188961						
	100000	245717	199584	162112	143545						
231530	8000	*	*	*	361922						
	20000	*	382269	310499	274937						
	40000	382269	310499	252204	223318						
	100000	290394	235873	191589	169645						
231560	8000	*	*	*	397362						
	20000	*	419702	340904	301859						
	40000	419702	340904	276900	245186						

Table 10 • Series PLB23200K and PLB23200 Load Ratings and Speed Limits

Basic Bearing Number				Co Static Load Rating		C Basic Load Rating		Approximate Speed Limit RPM		e	Fa/Fr ≤ e		Fa/Fr > e	
Adapter Mounted		Direct Shaft Mounted									X1	Y1	X2	Y2
Shaft Diameter (inches)	Number	Bearing Seat (mm)	Number	pounds	newtons	pounds	newtons	Grease	Oil					
8	23244K	220	23244	764500	3400000	454000	2020000	670	900	0.35	1.00	1.90	0.67	2.90
8-15/16	23248K	240	23248	910500	4050000	548500	2440000	630	800	0.37	1.00	4.80	0.67	2.70
9-7/16	23252K	260	23252	1022900	4550000	616000	2740000	560	750	0.37	1.00	1.80	0.67	2.70
10-7/16	23256K	280	23256	1101600	4900000	647500	2880000	530	670	0.35	1.00	1.90	0.67	2.90
10-15/16	23260K	300	23260	1326400	5900000	764500	3400000	480	630	0.35	1.00	1.90	0.67	2.90
11-15/16	23264K	320	23264	1551200	6900000	877000	3900000	450	600	0.36	1.00	1.90	0.67	2.80
12-7/16	23268K	340	23268	1753500	7800000	989200	4400000	400	530	0.36	1.00	1.90	0.67	2.80
13-7/16	23272K	360	23272	1922100	8550000	1079000	4800000	380	500	0.36	1.00	1.90	0.67	2.80
13-15/16	23276K	380	23276	2068500	9200000	1157800	5150000	360	480	0.35	1.00	1.90	0.67	2.90
15	23280K	400	23280	2338000	10400000	1303900	5800000	340	450	0.36	1.00	1.90	0.67	2.80
15-3/4	23284K	420	23284	2630500	11700000	1450000	6450000	320	430	0.35	1.00	1.90	0.67	2.90
16-1/2	23288K	440	23288	2877500	12800000	1551200	6900000	300	400	0.35	1.00	1.90	0.67	2.90
17	23292K	460	23292	3080000	13700000	1652400	7350000	280	380	0.36	1.00	1.90	0.67	2.80
18	23296K	480	23296	3237500	14400000	1764800	7850000	260	360	0.36	1.00	1.90	0.67	2.80

Table 11 • Radial Load Ratings in Pounds at Various RPM for Appropriate L₁₀ Life Hours

Basic Unit Number	L ₁₀ Minimum Life (hours)	Radial Load Ratings, Pounds									
		Speed, RPM									
		50	100	200	300	400	500	600	700	800	900
23244	8000	*	*	*	102223	93770	87699	83031	79278	76165	73521
	20000	*	107970	87699	77654	71233	66621	63075	60224	57859	55851
	40000	107970	87699	71233	63075	57859	54113	51233	48917	46996	45365
	100000	82020	66621	54113	47915	43953	41107	38919	37160	35701	34462
23248	8000	*	*	*	123500	113289	105953	100313	95780	92019	
	20000	*	130443	105953	93818	86061	80488	76204	72760	69903	
	40000	130443	105953	86061	76204	69903	65377	61897	59100	56779	
	100000	99092	80488	65377	57889	53102	49664	47020	44895	43132	
23252	8000	*	*	*	138699	127230	118992	112658	107567		
	20000	*	146496	118992	105363	96651	90393	85582	81714		
	40000	146496	118992	96651	85582	78505	73422	69514	66372		
	100000	111287	90393	73422	65013	59637	55776	52807	50420		
23256	8000	*	*	*	145791	133736	125077	118419			
	20000	*	153987	125077	110751	101594	95015	89958			
	40000	153987	125077	101594	89958	82520	77177	73069			
	100000	116978	95015	77177	68337	62687	58628	55507			
23260	8000	*	*	*	172135	157902	147677	139817			
	20000	*	181812	147677	130764	119951	112184	106213			
	40000	181812	147677	119951	106213	97431	91122	86272			
	100000	138115	112184	91122	80686	74014	69222	65537			
23264	8000	*	*	*	197465	181138	169409	160392			
	20000	*	208567	169409	150006	137603	128693	121843			
	40000	208567	169409	137603	121843	111768	104531	98967			
	100000	158439	128693	104531	92559	84906	79408	75181			
23268	8000	*	*	*	222728	204312	191082				
	20000	*	235250	191082	169197	155207	145157				
	40000	235250	191082	155207	137431	126067	117904				
	100000	178710	145157	117904	104400	95768	89567				
23272	8000	*	*	*	242948	222859	208429				
	20000	*	256606	208429	184557	169297	158335				
	40000	256606	208429	169297	149907	137512	128608				
	100000	194933	158335	128608	113878	104462	97698				
23276	8000	*	*	*	260690	239135					
	20000	*	275346	223651	198035	181661					
	40000	275346	223651	181661	160855	147554					
	100000	209169	169898	138000	122195	112091					
23280	8000	*	*	*	293586	269311					
	20000	*	310092	251873	223025	204584					
	40000	310092	251873	204584	181153	166174					
	100000	235563	191337	155414	137614	126235					
23284	8000	*	*	*	326482	299487					
	20000	*	344837	280095	248015	227507					
	40000	344837	280095	227507	201450	184793					
	100000	261958	212776	172828	153033	140380					
23288	8000	*	*	*	349268	320389					
	20000	*	368904	299643	265324	243386					
	40000	368904	299643	243386	215510	197691					
	100000	280241	227626	184890	163714	150177					
23292	8000	*	*	*	372054						
	20000	*	392971	319192	282634						
	40000	392971	319192	259264	229570						
	100000	298524	242477	196952	174395						
23296	8000	*	*	*	397362						
	20000	*	419702	340904	301859						
	40000	419702	340904	276900	245186						
	100000	318830	258970	210349	186257						

PLB6800, PLB6800F, PLB6600F

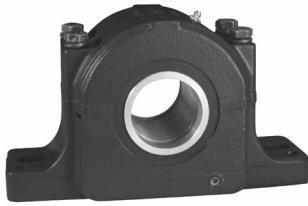
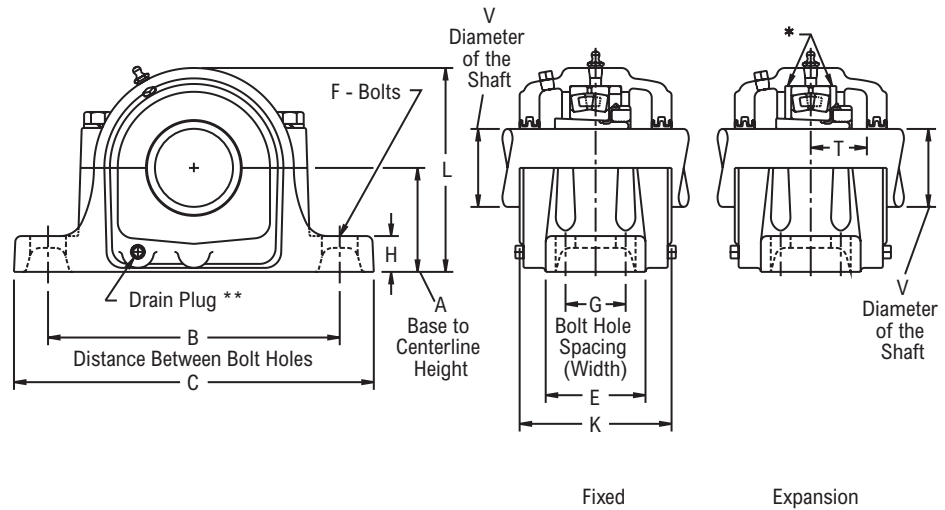


Photo Shows a 2-Bolt Spherical Roller Bearing Two-Piece Pillow Block Unit

Product Features

- Corrosion-resistant powder coating
- Two piece cast iron housing
- Broad range of sealing options
- Fixed or Expansion - up to 3/8 in expansion
- Matched base & cap
- Large reservoir for grease or oil storage
- Tapered adapter mounted
- See Features & Benefits for additional info.



Bearing Dimensions

Size Code	V Shaft Diameter	Part Number	A Base to Centerline Height	B Min. Distance Between Bolt Holes	B Max. Distance Between Bolt Holes	G Bolt Hole Spacing (Width)	C	E	F	H	K	L	P	T	Approx. Weight
Two-Bolt Pillow Block															
22209	1 7/16	PLB6823R	2 1/4	6 1/4	7	-	8 1/4	2 3/8	1/2	13/16	3 5/8	4 3/8	6 1/4	1 1/16	11.00
	1 1/2	PLB6824R													
	40.00	PLB68M40R	57.15	158.80	177.80	-	209.60	60.30	12.00	20.60	92.10	111.10	158.80	27.00	5.00
22210	1 11/16	PLB6827R	2 1/2	6 1/2	7	-	8 1/4	2 3/8	1/2	15/16	3 5/8	4 3/4	6 5/8	1 1/8	12.00
	1 3/4	PLB6828R													
	45.00	PLB68M45R	63.50	165.10	177.80	-	209.60	60.30	12.00	23.80	92.10	120.60	168.30	28.60	5.40
22211	1 15/16	PLB6831R	2 3/4	7 3/8	7 7/8	-	9 5/8	2 3/4	5/8	15/16	3 7/8	5 1/4	7 1/4	1 3/16	14.00
	2	PLB6832R													
	50.00	PLB68M50R	69.85	187.30	200.00	-	244.50	69.80	16.00	23.80	98.40	133.40	184.20	30.20	6.40
22213	2 3/16	PLB6835R	3	8 1/8	9 1/2	-	11	3 1/4	5/8	1	4 3/8	5 15/16	8 1/4	1 13/32	22.00
	60.00	PLB68M60R													
	76.20	PLB68M60R	76.20	206.40	241.30	-	279.40	82.60	16.00	25.40	111.10	150.80	209.60	35.70	10.00
22215	2 7/16	PLB6839R	3 1/4	8 5/8	9 5/8	-	11 1/4	3 1/8	5/8	1 1/8	4 3/4	6 3/8	8 3/8	1 15/32	27.00
	65.00	PLB68M65R													
	82.55	PLB68M65R	82.55	219.10	244.50	-	285.80	79.40	16.00	28.60	120.60	161.90	212.70	37.30	12.20
22216	2 11/16	PLB6843R	3 1/2	9 5/8	11	-	13	3 1/2	3/4	1 1/4	5 1/4	7	9 1/2	1 1/2	38.00
	70.00	PLB68M70R													
	88.90	PLB68M70R	88.90	244.50	279.40	-	330.20	88.90	20.00	31.80	133.40	177.80	241.30	38.10	17.20
22217	2 15/16	PLB6847R	3 3/4	9 7/8	11	-	13	3 1/2	3/4	1 1/4	5	7 5/16	10	1 19/32	42.00
	3	PLB6848R													
	75.00	PLB68M75R	95.25	250.80	279.40	-	330.20	88.90	20.00	31.80	127.00	185.70	254.00	40.50	19.00
22218	3 3/16	PLB6851R	4	10 1/4	11 3/4	-	13 3/4	3 7/8	3/4	1 5/16	5 7/8	7 15/16	10 1/2	1 3/4	47.00
	80.00	PLB68M80R													
	101.60	PLB68M80R	101.60	260.40	298.40	-	349.20	98.40	20.00	33.30	149.20	201.60	266.70	44.40	21.30
22220	3 7/16	PLB6855R	4 1/2	11 5/8	13 1/8	-	15 1/4	4 3/8	7/8	1 1/2	6	8 7/8	11 3/4	1 29/32	71.00
	3 1/2	PLB6856R													
	90.00	PLB68M90R	114.30	295.30	333.40	-	387.40	111.10	24.00	38.10	152.40	225.40	298.40	48.40	30.80
Four-Bolt Pillow Block															
22215	2 7/16	PLB6839FR	3 1/4	8 5/8	9 5/8	1 7/8	11 1/4	3 1/8	1/2	1 1/8	4 3/4	6 3/8	8 3/8	1 15/32	27.00
	65.00	PLB68M65FR													
	82.55	PLB68M65FR	82.55	219.10	244.50	47.60	285.80	79.40	12.00	28.60	120.60	161.90	212.70	37.30	12.20
22216	2 11/16	PLB6843FR	3 1/2	9 5/8	11	2	13	3 1/2	5/8	1 1/4	5 1/4	7	9 1/2	1 1/2	38.00
	70.00	PLB68M70FR													
	88.90	PLB68M70FR	88.90	244.50	279.40	50.80	330.20	88.90	16.00	31.80	133.40	177.80	241.30	38.10	17.20
22217	2 15/16	PLB6847FR	3 3/4	9 7/8	11	2	13	3 1/2	5/8	1 1/4	5	7 5/16	10	1 19/32	42.00
	3	PLB6848FR													
	75.00	PLB68M75FR	95.25	250.80	279.40	50.80	330.20	88.90	16.00	31.80	127.00	185.70	254.00	40.50	19.00
22218	3 3/16	PLB6851FR	4	10 3/8	11 5/8	2 1/8	13 3/4	3 7/8	5/8	1 5/16	5 7/8	7 15/16	10 1/2	1 3/4	47.00
	80.00	PLB68M80FR													
	101.60	PLB68M80FR	101.60	263.50	295.30	54.00	349.20	98.40	16.00	33.30	149.20	201.60	266.70	44.40	21.30
22220	3 7/16	PLB6855FR	4 1/2	11 5/8	13 1/8	2 3/8	15 1/4	4 1/2	3/4	1 1/2	6	8 7/8	11 3/4	1 29/32	71.00
	3 1/2	PLB6856FR													

Continued...

Continued...

Bearing Dimensions

Size Code	V Shaft Diameter	Part Number	A Base to Centerline Height	B Min. Distance Between Bolt Holes	B Max. Distance Between Bolt Holes	G Bolt Hole Spacing (Width)	C	E	F Bolts	H	K	L	P	T	Approx. Weight
Four-Bolt Pillow Block(continued)															
22220	90.00	PLB68M90FR	114.30	295.30	333.40	60.30	387.40	114.30	20.00	38.10	152.40	225.40	298.40	48.40	30.80
22222	3 ¹¹ / ₁₆	PLB6859FR	4 ¹⁵ / ₁₆	12 ⁵ / ₈	14 ¹ / ₂	2 ³ / ₄	16 ¹ / ₂	4 ³ / ₄	³ / ₄	2	6 ¹ / ₂	9 ⁵ / ₈	12 ¹ / ₄	2 ¹ / ₈	87.00
	3 ¹⁵ / ₁₆	PLB6863FR													
	4	PLB6864FR													
	100.00	PLB68M100FR	125.41	320.70	368.30	69.80	419.10	120.60	20.00	50.80	165.10	244.50	311.20	54.00	39.50
22224	4 ³ / ₁₆	PLB6867FR	5 ¹ / ₄	13 ¹ / ₄	14 ¹ / ₂	2 ³ / ₄	16 ¹ / ₂	4 ³ / ₄	³ / ₄	1 ³ / ₄	7 ¹ / ₈	10 ⁷ / ₁₆	13 ¹ / ₂	2 ⁹ / ₃₂	104.00
	110.00	PLB68M110FR	133.35	336.60	368.30	69.80	419.10	120.60	20.00	44.40	181.00	265.10	342.90	57.90	47.20
22226	4 ⁷ / ₁₆	PLB6871FR	6	14 ⁵ / ₈	16	3 ¹ / ₄	18 ³ / ₈	5 ¹ / ₈	⁷ / ₈	2 ³ / ₈	7 ³ / ₄	11 ¹¹ / ₃₂	14 ¹ / ₂	2 ¹⁵ / ₃₂	149.00
	4 ¹ / ₂	PLB6872FR													
	115.00	PLB68M115FR													
22228	4 ¹⁵ / ₁₆	PLB6879FR	6	16	17 ¹ / ₈	3 ³ / ₈	20 ¹ / ₈	5 ⁷ / ₈	1	2 ³ / ₈	7 ³ / ₄	11 ¹³ / ₁₆	15 ¹ / ₂	2 ⁵ / ₈	167.00
	5	PLB6880FR													
	125.00	PLB68M125FR													
22230	5 ³ / ₁₆	PLB6883FR	6 ⁵ / ₁₆	17	18 ¹ / ₄	3 ³ / ₄	21 ¹ / ₄	6 ¹ / ₄	1	2	8 ¹ / ₈	12 ⁹ / ₁₆	16	2 ³ / ₄	187.00
	135.00	PLB68M135FR	160.34	431.80	463.60	95.20	539.80	158.80	24.00	50.80	206.40	319.10	406.40	69.80	84.80
22232	5 ⁷ / ₁₆	PLB6887FR	6 ¹¹ / ₁₆	17 ³ / ₈	19 ¹ / ₄	3 ³ / ₄	22	6 ¹ / ₄	1	2 ⁵ / ₈	8 ¹ / ₂	13 ³ / ₈	17	2 ³¹ / ₃₂	221.00
	140.00	PLB68M140FR	169.86	441.30	489.00	95.20	558.80	158.80	24.00	66.68	215.90	339.70	431.80	75.40	94.80
22234	5 ¹⁵ / ₁₆	PLB6895FR	7 ¹ / ₁₆	19 ³ / ₈	21 ⁵ / ₈	4 ¹ / ₄	24 ³ / ₄	6 ³ / ₄	1	2 ³ / ₄	9 ¹ / ₄	14 ¹ / ₄	18	3 ¹ / ₈	280.00
	6	PLB6896FR													
	150.00	PLB68M150FR													
22236	6 ⁷ / ₁₆	PLB68103FR	7 ¹ / ₂	20 ⁷ / ₈	23 ⁵ / ₈	4 ⁵ / ₈	26 ³ / ₄	7 ¹ / ₈	1	3	9 ⁷ / ₈	14 ¹⁵ / ₁₆	18 ³ / ₄	3 ⁵ / ₃₂	304.00
	6 ¹ / ₂	PLB68104FR													
	160.00	PLB68M160FR													
22238	6 ¹⁵ / ₁₆	PLB68111FR	7 ⁷ / ₈	21 ⁵ / ₈	24 ³ / ₈	4 ¹ / ₂	28	7 ¹ / ₂	1 ¹ / ₄	3 ¹ / ₈	10 ⁵ / ₈	15 ¹³ / ₁₆	20 ¹ / ₂	3 ⁵ / ₁₆	370.00
	7	PLB68112FR													
	170.00	PLB68M170FR													
22240	7 ³ / ₁₆	PLB68115FR	8 ¹ / ₄	22 ¹ / ₂	25	5	29 ¹ / ₂	8	1 ¹ / ₄	2 ³ / ₈	11	16 ³ / ₄	22 ¹ / ₄	3 ¹⁷ / ₃₂	450.00
	180.00	PLB68M180FR	209.55	571.50	635.00	127.00	749.30	203.20	30.00	60.30	279.40	425.40	565.20	89.70	204.10
22244	7 ¹ / ₂	PLB68120FR	9 ¹ / ₂	24 ³ / ₄	27 ⁷ / ₈	5 ¹ / ₄	32 ³ / ₄	8 ³ / ₄	1 ¹ / ₂	3 ³ / ₄	11 ³ / ₁₆	18 ⁹ / ₁₆	24 ¹ / ₂	3 ¹³ / ₁₆	675.00
	7 ¹⁵ / ₁₆	PLB22544K71516									11 ⁷ / ₈	18 ⁵ / ₈	-	-	665.00
		PLB68127FR									11 ³ / ₁₆	18 ⁹ / ₁₆	24 ¹ / ₂	3 ¹³ / ₁₆	
	8	PLB22544K8									11 ⁷ / ₈	18 ⁵ / ₈	-	-	
		PLB68128FR									11 ³ / ₁₆	18 ⁹ / ₁₆	24 ¹ / ₂	3 ¹³ / ₁₆	
	200.00	PLB68M200FR									241.30	628.60	708.00	133.40	831.80

Additional Notes

Continued...

Continued...

Bearing Dimensions

Size Code	V Shaft Diameter	Part Number	A Base to Centerline Height	B Min. Distance Between Bolt Holes	B Max. Distance Between Bolt Holes	G Bolt Hole Spacing (Width)	C	E	F Bolts	H	K	L	P	T	Approx. Weight
Four-Bolt Pillow Block(continued)															
22248	8 7/16	PLB22548K8716	10 1/4	29	30 1/2	8 3/4	35	14 1/2	1 5/8	3 3/4	14 1/8	20 1/2	-	-	1,000.00
	8 15/16	PLB22548K81516													
23048	8 7/16	PLB66135FH	8 1/4	22 1/2	25	5	29 1/2	8	1 1/4	2 3/8	11	16 3/4	22 1/4	3 13/16	430.00
	8 1/2	PLB66136FH													
	9	PLB66144FH													
	220.00	PLB66M220FH	209.55	571.50	635.00	127.00	749.30	203.20	30.00	60.30	279.40	425.40	565.20	96.80	195.00
23056	9 15/16	PLB66159FH	9 1/2	24 3/4	27 7/8	5 1/4	32 3/4	8 3/4	1 1/2	2 3/4	11 3/4	19 1/16	24 1/2	4 1/4	540.00
	10	PLB66160FH													530.00
	10 7/16	PLB66167FH													515.00
	10 1/2	PLB66168FH													510.00
	9 7/16	PLB66B151FH													550.00
	9 1/2	PLB66B152FH													545.00
	260.00	PLB66M260FH	241.30	628.60	708.00	133.40	831.80	222.20	36.00	69.80	298.40	484.20	622.30	108.00	247.20

Additional Notes

Please call 1-866-REXNORD for availability
 Lubrication fitting tap size: for 4 1/2 in (115 mm) and smaller shaft sizes, 1/8 in PT: for all other shaft sizes, 1/4 in PT
 Expansion - is 1/4 in for 1 3/4 in (40 mm) and smaller shaft sizes: all other shaft sizes provide 3/8"
 Drain plug tap size - for 3 3/16 in (80 mm) and smaller shaft sizes, 1/8 in PT: for 3 7/16 in (90 mm) thru 6 in (150 mm), 1/4 in PT: for all other shaft sizes, 1/2 in PT
 Minimum extension of shaft beyond locknut, .06 in for closed end unit
 Dimension "P" is recommended dimension for cap removal

Multi-labyrinth seals standard
 All shaft sizes available with type D5 Pentac seals
 For the Selection Guide, Load Ratings and Speed Limits, see the Link-Belt Split Spherical Roller Bearings Engineering section
 Note: Dimensions subject to change. Certified dimensions of ordered material furnished on request.

PLB6800D8, PLB6800FD8, PLB6600FD8

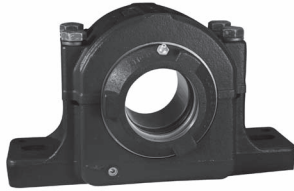
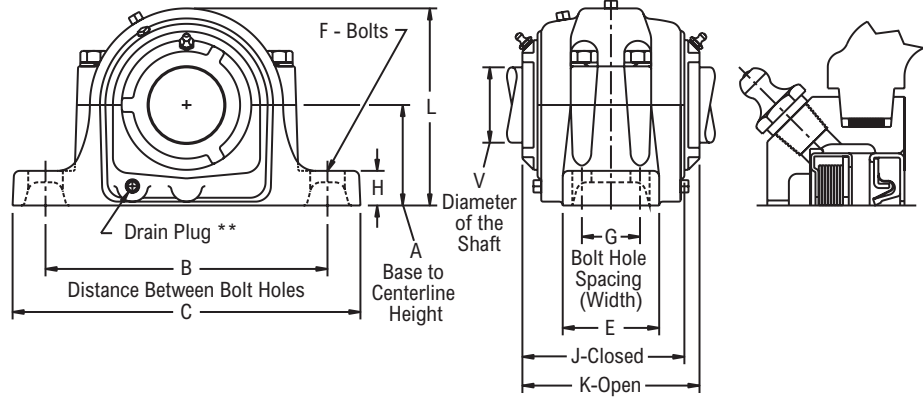


Photo Shows a 2-Bolt Spherical Roller Bearing Two-Piece Pillow Block Unit with Independently Flushable Seals

Product Features

- Corrosion-resistant powder coating
- Two piece cast iron housing
- Independently flushable seals
- Fixed or Expansion - up to 3/8 in expansion
- Matched base & cap
- Large reservoir for grease or oil storage
- Tapered adapter mounted
- See Features & Benefits for additional info.



Bearing Dimensions

Size Code	V Shaft Diameter	Part Number	A Base to Centerline Height	B Min. Distance Between Bolt Holes	B Max. Distance Between Bolt Holes	G Bolt Hole Spacing (Width)	C	E	F	H	J	K	L	P	T	Approx. Weight
Two-Bolt Pillow Block																
22209	1 7/16	PLB6823D8	2 1/4	6 1/4	7	-	8 1/4	2 3/8	1/2	13/16	4 7/16	5	4 3/8	6 1/4	1 1/16	12.00
	1 1/2	PLB6824D8														11.00
22210	1 11/16	PLB6827D8	2 1/2	6 1/2	7	-	8 1/4	2 3/8	1/2	15/16	4 13/32	4 15/16	4 3/4	6 5/8	1 1/8	13.00
22211	1 15/16	PLB6831D8	2 3/4	7 3/8	7 7/8	-	9 5/8	2 3/4	5/8	15/16	4 23/32	5 5/16	5 1/4	7 1/4	1 3/16	16.00
	2	PLB6832D8														14.00
22213	2 3/16	PLB6835D8	3	8 1/8	9 1/2	-	11	3 1/4	5/8	1	5 1/8	5 5/8	5 15/16	8 1/4	1 13/32	24.00
22215	2 7/16	PLB6839D8	3 1/4	8 5/8	9 5/8	-	11 1/4	3 1/8	5/8	1 1/8	5 17/32	5 15/16	6 3/8	8 3/8	1 15/32	30.00
22216	2 11/16	PLB6843D8	3 1/2	9 5/8	11	-	13	3 1/2	3/4	1 1/4	6 1/32	6 9/16	7	9 1/2	1 1/2	38.00
22217	2 15/16	PLB6847D8	3 3/4	9 7/8	11	-	13	3 1/2	3/4	1 1/4	5 11/16	6 3/8	7 5/16	10	1 19/32	47.00
	3	PLB6848D8														42.00
22218	3 3/16	PLB6851D8	4	10 1/4	11 3/4	-	13 3/4	3 7/8	3/4	1 5/16	6 3/4	7 3/8	7 15/16	10 1/2	1 3/4	52.00
22220	3 7/16	PLB6855D8	4 1/2	11 5/8	13 1/8	-	15 1/4	4 3/8	7/8	1 1/2	6 21/32	7 5/16	8 7/8	11 3/4	1 29/32	79.00
Four-Bolt Pillow Block																
22215	2 7/16	PLB6839FD8	3 1/4	8 5/8	9 5/8	1 7/8	11 1/4	3 1/8	1/2	1 1/8	5 17/32	5 15/16	6 3/8	8 3/8	1 15/32	30.00
22217	2 15/16	PLB6847FD8	3 3/4	9 7/8	11	2	13	3 1/2	5/8	1 1/4	5 11/16	6 3/8	7 5/16	10	1 19/32	47.00
22218	3 3/16	PLB6851FD8	4	10 3/8	11 5/8	2 1/8	13 3/4	3 7/8	5/8	1 5/16	6 3/4	7 3/8	7 15/16	10 1/2	1 3/4	52.00
22220	3 7/16	PLB6855FD8	4 1/2	11 5/8	13 1/8	2 3/8	15 1/4	4 1/2	3/4	1 1/2	6 21/32	7 5/16	8 7/8	11 3/4	1 29/32	79.00
22222	3 11/16	PLB6859FD8	4 15/16	12 5/8	14 1/2	2 3/4	16 1/2	4 3/4	3/4	2	7 7/32	7 15/16	9 5/8	12 1/4	2 1/8	98.00
	3 15/16	PLB6863FD8														
22224	4 3/16	PLB6867FD8	5 1/4	13 1/4	14 1/2	2 3/4	16 1/2	4 3/4	3/4	1 3/4	7 31/32	8 9/16	10 7/16	13 1/2	2 9/32	116.00
22226	4 7/16	PLB6871FD8	6	14 5/8	16	3 1/4	18 3/8	5 1/8	7/8	2 3/8	8 31/64	9 7/32	11 19/32	14 1/2	2 15/32	165.00
22228	4 15/16	PLB6879FD8	6	16	17 1/8	3 3/8	20 1/8	5 7/8	1	2 3/8	8 7/32	8 15/16	11 13/16	15 1/2	2 5/8	184.00
22232	5 7/16	PLB6887FD8	6 11/16	17 3/8	19 1/4	3 3/4	22	6 1/4	1	2 5/8	9 9/32	9 13/16	13 3/8	17	2 31/32	244.00
22234	5 15/16	PLB6895FD8	7 1/16	19 3/8	21 5/8	4 1/4	24 3/4	6 3/4	1	2 3/4	10 1/8	11	14 1/4	18	3 1/8	309.00
	6	PLB6896FD8														
22236	6 7/16	PLB68103FD8	7 1/2	20 7/8	23 5/8	4 5/8	26 3/4	7 1/8	1	3	10 11/16	11 3/8	14 15/16	18 3/4	3 5/32	322.00
	6 1/2	PLB68104FD8														
22238	6 15/16	PLB68111FD8	7 7/8	21 5/8	24 3/8	4 1/2	28	7 1/2	1 1/4	3 1/8	11 11/32	12 1/16	15 13/16	20 1/2	3 5/16	411.00
	7	PLB68112FD8														
22244	7 1/2	PLB68120FD8	9 1/2	24 3/4	27 7/8	5 1/4	32 3/4	8 3/4	1 1/2	3 3/4	12 3/16	13 3/16	18 9/16	24 1/2	3 13/16	750.00
	7 15/16	PLB68127FD8														
	8	PLB68128FD8														
23048	8 7/16	PLB66135FD8	8 1/4	22 1/2	25	5	29 1/2	8	1 1/4	2 3/8	12 1/32	12 11/16	16 3/4	22 1/4	3 13/16	478.00
	8 1/2	PLB66136FD8														
	9	PLB66144FD8														
23056	9 1/2	PLB66B152FD8	9 1/2	24 3/4	27 7/8	5 1/4	32 3/4	8 3/4	1 1/2	2 3/4	13 9/32	14 7/16	19 1/16	24 1/2	4 1/4	605.00
	10 1/2	PLB66168FD8														

Additional Notes

- Please call 1-866-REXNORD for availability
- Lubrication fitting tap size: for 4 1/2 in (115 mm) and smaller shaft sizes, 1/8 in PT: for all other shaft sizes, 1/4 in PT
- Seal assembly lubrication fitting tap size: for 1 3/4 in and smaller shaft sizes, 1/4-28 UNF: for all other shaft sizes, 1/8 in PT
- Recommended shaft finish under D8 seals, 10-20 micro inches
- Expansion - is 1/4 in for 1 3/4 in (40 mm) and smaller shaft sizes: all other shaft sizes provide 3/8 in
- Drain plug tap size - for 3 3/16 in (80 mm) and smaller shaft sizes, 1/8 in PT: for 3 7/16 in (90 mm) thru 6 in (150 mm), 1/4 in PT: for all other shaft sizes, 1/2 in PT

- Minimum extension of shaft beyond locknut, .06 in for closed end unit
- Dimension "P" is recommended dimension for cap removal
- Taconite seals standard
- For the Selection Guide, Load Ratings and Speed Limits, see the Link-Belt Split Spherical Roller Bearings Engineering section
- Note: Dimensions subject to change. Certified dimensions of ordered material furnished on request.

BPLB6800

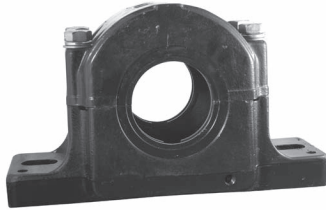
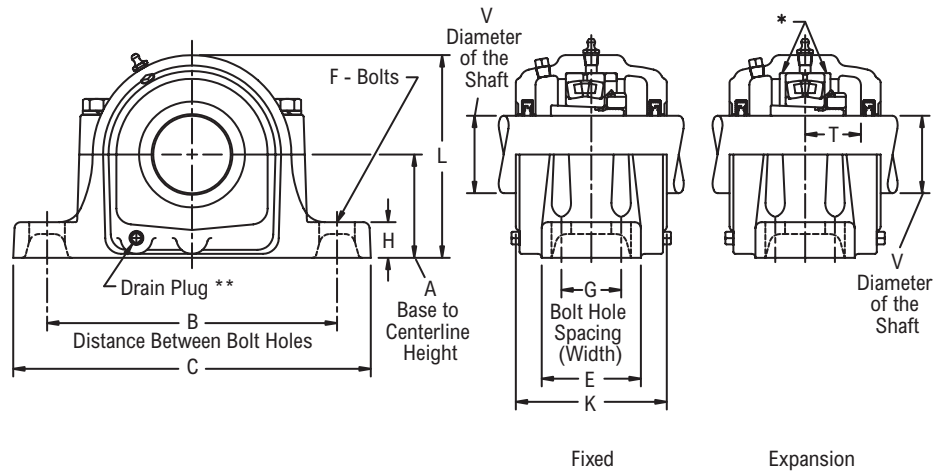


Photo Shows a 2-Bolt Spherical Roller Bearing Two-Piece Pillow Block Unit

Product Features

- Corrosion-resistant nylon coating
- Two piece cast iron housing
- Stainless steel hardware
- Patented T contact water seal
- Fixed or Expansion - up to 3/8 in expansion
- Matched base & cap
- Large reservoir for grease or oil storage
- Tapered adapter mounted
- See Features & Benefits for additional info.



Bearing Dimensions

Size Code	V Shaft Diameter	Part Number	A Base to Centerline Height	B Min. Distance Between Bolt Holes	B Max. Distance Between Bolt Holes	G Bolt Hole Spacing (Width)	C	E	F	H	K	L	P	T	Approx. Weight
Two-Bolt Pillow Block															
22209	1 7/16	BPLB6823	2 1/4	6 1/4	7	-	8 1/4	2 3/8	1/2	13/16	3 5/8	4 3/8	6 1/4	1 1/16	11.00
22213	2 3/16	BPLB6835	3	8 1/8	9 1/2	-	11	3 1/4	5/8	1	4 3/8	5 15/16	8 1/4	1 13/32	22.00
22215	2 7/16	BPLB6839	3 1/4	8 5/8	9 5/8	-	11 1/4	3 1/8	5/8	1 1/8	4 3/4	6 3/8	8 3/8	1 15/32	27.00
22216	2 11/16	BPLB6843	3 1/2	9 5/8	11	-	13	3 1/2	3/4	1 1/4	5 1/4	7	9 1/2	1 1/2	38.00
22217	2 15/16	BPLB6847	3 3/4	9 7/8	11	-	13	3 1/2	3/4	1 1/4	5	7 5/16	10	1 19/32	42.00
22218	3 3/16	BPLB6851	4	10 1/4	11 3/4	-	13 3/4	3 7/8	3/4	1 5/16	5 7/8	7 15/16	10 1/2	1 3/4	47.00
Four-Bolt Pillow Block															
22215	2 7/16	BPLB6839F	3 1/4	8 5/8	9 5/8	1 7/8	11 1/4	3 1/8	1/2	1 1/8	4 3/4	6 3/8	8 3/8	1 15/32	27.00
22216	2 11/16	BPLB6843F	3 1/2	9 5/8	11	2	13	3 1/2	5/8	1 1/4	5 1/4	7	9 1/2	1 1/2	38.00
22217	2 15/16	BPLB6847F	3 3/4	9 7/8	11	2	13	3 1/2	5/8	1 1/4	5	7 5/16	10	1 19/32	42.00
22218	3 3/16	BPLB6851F	4	10 3/8	11 5/8	2 1/8	13 3/4	3 7/8	5/8	1 5/16	5 7/8	7 15/16	10 1/2	1 3/4	47.00
22222	3 15/16	BPLB6863F	4 15/16	12 5/8	14 1/2	2 3/4	16 1/2	4 3/4	3/4	2	6 1/2	9 5/8	12 1/4	2 1/8	87.00
22226	4 1/2	BPLB6872F	6	14 5/8	16	3 1/4	18 3/8	5 1/8	7/8	2 3/8	7 3/4	11 11/32	14 1/2	2 15/32	149.00
22228	4 15/16	BPLB6879F	6	16	17 1/8	3 3/8	20 1/8	5 7/8	1	2 3/8	7 3/4	11 13/16	15 1/2	2 5/8	167.00

Additional Notes

- Please call 1-866-REXNORD for availability
- Lubrication fitting tap size: for 4 1/2 in and smaller shaft sizes, 1/8 in PT; for all other shaft sizes, 1/4 in PT
- Expansion - is 1/4 in for 1 7/16 in : all other shaft sizes provide 3/8 in
- Drain plug tap size - for 3 3/16 in and smaller shaft sizes, 1/8 in PT; for all other shaft sizes, 1/4 in PT
- Minimum extension of shaft beyond locknut, .06 in for closed end unit
- Dimension "P" is recommended dimension for cap removal

- Exclusive T water seals standard
- For the Selection Guide, Load Ratings and Speed Limits, see the Link-Belt Split Spherical Roller Bearings Engineering section
- Note: Dimensions subject to change. Certified dimensions of ordered material furnished on request.

PKLB6800F, PKLB6600F

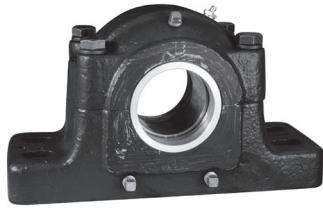
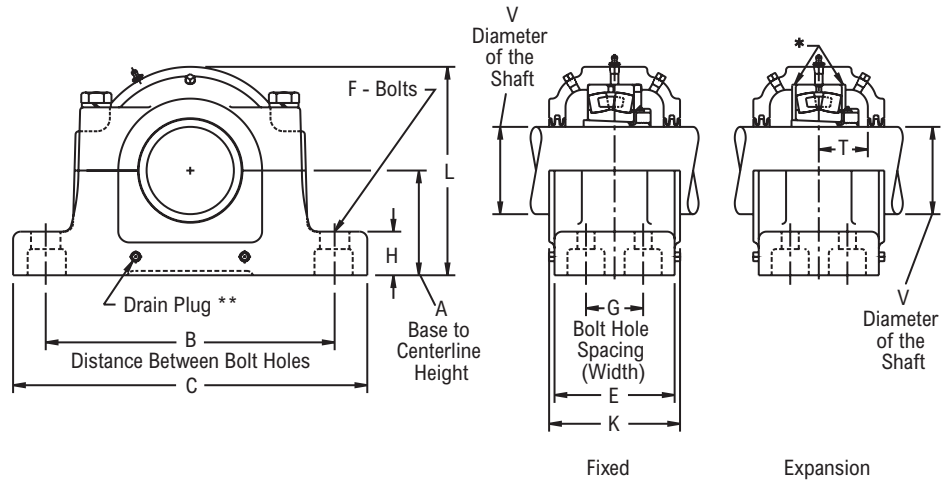


Photo Shows a 4-Bolt Spherical Roller Bearing Two-Piece Pillow Block Unit

Product Features

- Corrosion-resistant powder coating
- Two piece cast steel housing
- Broad range of sealing options
- Fixed or Expansion - up to 3/8 in expansion
- Matched base & cap
- Large reservoir for grease or oil storage
- Tapered adapter mounted
- See Features & Benefits for additional info.



Bearing Dimensions

Size Code	V Shaft Diameter	Part Number	A Base to Centerline Height	B Min. Distance Between Bolt Holes	B Max. Distance Between Bolt Holes	G Bolt Hole Spacing (Width)	C	E	F	H	K	L	P	T	Approx. Weight
22215	2 7/16	PKLB6839FR	3 1/4	8 5/8	9 5/8	1 7/8	11 1/4	4 3/8	1/2	1 1/2	4 3/4	6 3/8	10 1/4	1 15/32	37.00
	65.00	PKLB68M65FR	82.55	219.10	244.50	47.60	285.80	111.10	12.00	38.10	120.60	161.90	260.40	37.30	16.80
22216	2 11/16	PKLB6843FR	3 1/2	9 5/8	11	2	13	4 7/8	5/8	1 5/8	5 1/4	7	11	1 1/2	51.00
	70.00	PKLB68M70FR	88.90	244.50	279.40	50.80	330.20	123.80	16.00	41.30	133.40	177.80	279.40	38.10	23.10
22217	2 15/16	PKLB6847FR	3 3/4	9 7/8	11	2	13	4 7/8	5/8	1 5/8	5 1/4	7 3/8	11 1/2	1 19/32	51.00
	3	PKLB6848FR													
22217	75.00	PKLB68M75FR	95.25	250.80	279.40	50.80	330.20	123.80	16.00	41.30	133.40	187.30	292.10	40.50	23.10
	22220	3 7/16	PKLB6855FR	4 1/2	11 5/8	13 1/8	2 3/8	15 1/4	6	3/4	1 7/8	6 1/2	8 13/16	13 3/4	1 29/32
3 1/2		PKLB6856FR													
22220	90.00	PKLB68M90FR	114.30	295.30	333.40	60.30	387.40	152.40	20.00	47.60	165.10	223.80	349.20	48.40	44.00
	22222	3 11/16	PKLB6859FR	4 15/16	12 5/8	14 1/2	2 3/4	16 1/2	6 1/2	3/4	2	7	9 3/4	15 1/4	2 1/8
3 15/16		PKLB6863FR													
4		PKLB6864FR													
22222	100.00	PKLB68M100FR	125.41	320.70	368.30	69.80	419.10	165.10	20.00	50.80	177.80	247.60	387.40	54.00	50.80
	22226	4 7/16	PKLB6871FR	6	14 5/8	16	3 1/4	18 3/8	7 1/4	7/8	2 1/4	7 3/4	11 1/2	18 1/4	2 15/32
4 1/2		PKLB6872FR													
22226	115.00	PKLB68M115FR	152.40	371.50	406.40	82.60	466.70	184.20	24.00	57.20	196.80	292.10	463.60	62.70	88.90
	22228	4 15/16	PKLB6879FR	6	16	17 1/8	3 3/8	20 1/8	6 7/8	1	2 1/2	7 1/2	11 15/16	19 1/4	2 5/8
5		PKLB6880FR													
22228	125.00	PKLB68M125FR	152.40	406.40	435.00	85.70	511.20	174.60	24.00	63.50	190.50	303.20	489.00	66.70	93.90
	22232	5 7/16	PKLB6887FR	6 11/16	17 3/8	19 1/4	3 3/4	22	8	1	2 3/4	8 1/2	13 1/2	20 1/2	2 31/32
140.00		PKLB68M140FR													
22232	169.86	PKLB68M140FR	169.86	441.30	489.00	95.20	558.80	203.20	24.00	69.80	215.90	342.90	520.70	75.40	122.50
	22234	5 15/16	PKLB6895FR	7 1/16	19 3/8	21 5/8	4 1/4	24 3/4	8 3/4	1	3	9 1/4	14 1/4	22 1/4	3 1/8
6		PKLB6896FR													
22234	150.00	PKLB68M150FR	179.39	492.10	549.30	108.00	628.60	222.20	24.00	76.20	235.00	362.00	565.20	79.40	166.90
	22236	6 7/16	PKLB68103FR	7 1/2	20 7/8	23 5/8	4 5/8	26 3/4	9 1/8	1	3 1/4	9 5/8	14 15/16	23 1/4	3 5/32
6 1/2		PKLB68104FR													
22236	160.00	PKLB68M160FR	190.50	530.20	600.10	117.50	679.40	231.80	24.00	82.60	244.50	379.40	590.60	80.20	176.90
	22238	6 15/16	PKLB68111FR	7 7/8	21 5/8	24 3/8	4 1/2	28	9 3/4	1 1/4	3 1/4	10 1/4	15 13/16	25	3 5/16
7		PKLB68112FR													
22238	170.00	PKLB68M170FR	200.02	549.30	619.10	114.30	711.20	247.60	30.00	82.60	260.40	401.60	635.00	84.10	213.20
	22244	7 1/2	PKLB68120FR	9 1/2	25 7/8	27 5/8	7 1/4	32	12	1 3/4	4	12 5/8	18 11/16	29 1/4	3 13/16
7 15/16		PKLB68127FR													
22244	8	PKLB68128FR													830.00

Additional Notes

Continued...

Continued...

Bearing Dimensions

Size Code	V Shaft Diameter	Part Number	A Base to Centerline Height	B Min. Distance Between Bolt Holes	B Max. Distance Between Bolt Holes	G Bolt Hole Spacing (Width)	C	E	F	H	K	L	P	T	Approx. Weight
22244	200.00	PKLB68M200FR	241.30	657.20	701.70	184.20	812.80	304.80	48.00	101.60	320.70	474.70	743.00	96.80	376.50
23048	8 1/2	PKLB66136FH	8 1/4	22 1/2	25	5	29 1/2	10 3/8	1 1/4	3 1/2	11	16 1/2	26 1/2	3 13/16	562.00
	9	PKLB66144FH													528.00
	220.00	PKLB66M220FH	209.55	571.50	635.00	127.00	749.30	263.50	30.00	88.90	279.40	419.10	673.10	96.80	240.40
23056	9 1/2	PKLB66B152FH	9 1/2	25 7/8	27 5/8	7 1/4	32	12	1 3/4	4	12 5/8	18 11/16	29 1/4	4 1/4	800.00
	9 15/16	PKLB66159FH													790.00
	10	PKLB66160FH													780.00
	10 1/2	PKLB66168FH													770.00
	260.00	PKLB66M260FH	241.30	657.20	701.70	184.20	812.80	304.80	48.00	101.60	320.70	474.70	743.00	108.00	358.30

Additional Notes

Please call 1-866-REXNORD for availability
 Lubrication fitting tap size, 1/4 in PT
 Expansion - is 3/8 in for all shaft sizes
 Drain plug tap size - for 6 in (150 mm) and smaller shaft sizes, 1/4 in PT; for all other shaft sizes, 1/2 in PT
 Minimum extension of shaft beyond locknut, .06 in for closed end unit
 Dimension "P" is recommended dimension for cap removal
 Multi-labyrinth seals standard

All shaft sizes available with type D5 Pentac seals
 For the Selection Guide, Load Ratings and Speed Limits, see the Link-Belt Split Spherical Roller Bearings Engineering section
 Note: Dimensions subject to change. Certified dimensions of ordered material furnished on request.

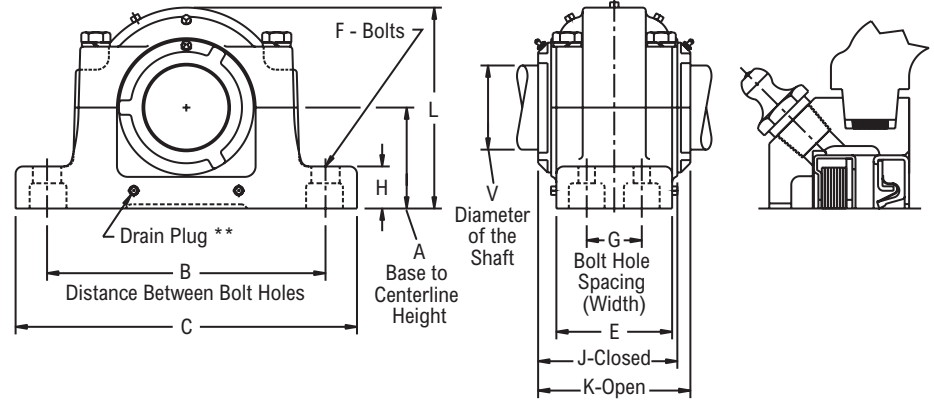
PKLB6800FD8



Photo Shows a 2-Bolt Spherical Roller Bearing Two-Piece Pillow Block Unit with Independently Flushable Seals

Product Features

- Corrosion-resistant powder coating
- Two piece cast steel housing
- Independently flushable seals
- Fixed or Expansion - up to 3/8 in expansion
- Matched base & cap
- Large reservoir for grease or oil storage
- Tapered adapter mounted
- See Features & Benefits for additional info.



Bearing Dimensions

Size Code	V Shaft Diameter	Part Number	A Base to Centerline Height	B Min. Distance Between Bolt Holes	B Max. Distance Between Bolt Holes	G Bolt Hole Spacing (Width)	C	E	F	H	J	K	L	P	T	Approx. Weight
22215	2 7/16	PKLB6839FD8	3 1/4	8 5/8	9 5/8	1 7/8	11 1/4	4 3/8	1/2	1 1/2	5 17/32	6 1/16	6 3/8	10 1/4	1 15/32	41.00
22217	2 15/16	PKLB6847FD8	3 3/4	9 7/8	11	2	13	4 7/8	5/8	1 5/8	6 1/16	6 5/8	7 3/8	11 1/2	1 19/32	57.00
22220	3 7/16	PKLB6855FD8	4 1/2	11 5/8	13 1/8	2 3/8	15 1/4	6	3/4	1 7/8	6 21/32	7 5/16	8 13/16	13 3/4	1 29/32	97.00
22226	4 7/16	PKLB6871FD8	6	14 5/8	16	3 1/4	18 3/8	7 1/4	7/8	2 1/4	8 5/8	9 1/4	11 1/2	18 1/4	2 15/32	190.00
22228	4 15/16	PKLB6879FD8	6	16	17 1/8	3 3/8	20 1/8	6 7/8	1	2 1/2	8 3/8	9	11 15/16	19 1/4	2 5/8	210.00
22236	6 7/16	PKLB68103FD8	7 1/2	20 7/8	23 5/8	4 5/8	26 3/4	9 1/8	1	3 1/4	10 11/16	11 3/8	14 15/16	23 1/4	3 5/32	422.00

Additional Notes

- Please call 1-866-REXNORD for availability
- Lubrication fitting tap size, 1/4 in PT
- Seal assembly lubrication fitting tap size, 1/8 in PT
- Recommended shaft finish under D8 seals, 10-20 micro inches
- Expansion - is 3/8 in for all shaft sizes
- Drain plug tap size - for 4 15/16 in and smaller shaft sizes, 1/4 in PT; for all other shaft sizes, 1/2 in PT
- Minimum extension of shaft beyond locknut, .06 in for closed end unit

- Dimension "P" is recommended dimension for cap removal
- Taconite seals standard
- For the Selection Guide, Load Ratings and Speed Limits, see the Link-Belt Split Spherical Roller Bearings Engineering section
- Note: Dimensions subject to change. Certified dimensions of ordered material furnished on request.

PLB7800, PLB7800F, PLB7600F

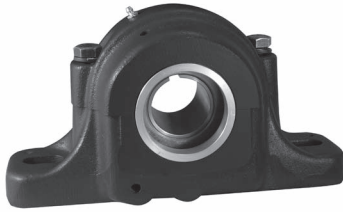
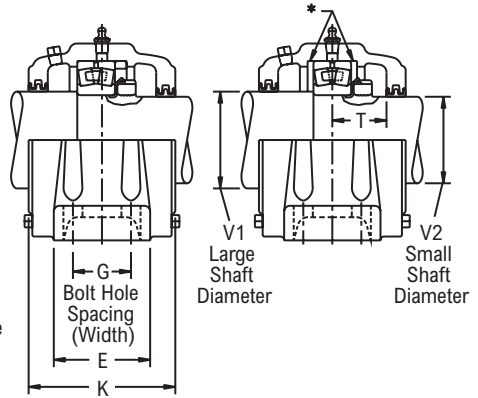
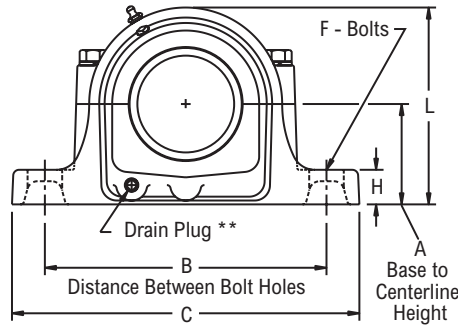


Photo Shows a 2-Bolt Spherical Roller Bearing Two-Piece Pillow Block Unit

Product Features

- Corrosion-resistant powder coating
- Two piece cast iron housing
- Fixed or Expansion - up to 3/8 in expansion
- Matched base & cap
- Large reservoir for grease or oil storage
- Direct shaft mounted
- See Features & Benefits for additional info.



Fixed

Expansion

Bearing Dimensions

Size Code	Shaft Diameter	V1 Large Shaft Diameter	V2 Small Shaft Diameter	Part Number	A Base to Centerline Height	B Min. Distance Between Bolt Holes	B Max. Distance Between Bolt Holes	G Bolt Hole Spacing (Width)	C	E	F Bolts	H	K	L	P	T	Approx. Weight
Two-Bolt Pillow Block																	
22215	2.95	3 7/16	2 13/16	PLB7875R	3 1/4	8 5/8	9 5/8	-	11 1/4	3 1/8	5/8	1 1/8	4 3/4	6 3/8	8 3/8	1 15/32	35.00
22216	3.15	3 5/8	3	PLB7880R	3 1/2	9 5/8	11	-	13	3 1/2	3/4	1 1/4	5 1/4	7	9 1/2	1 1/2	35.00
22217	3.35	3 15/16	3 3/16	PLB7885R	3 3/4	9 7/8	11	-	13	3 1/2	3/4	1 1/4	5	7 5/16	10	1 19/32	40.00
22218	3.54	4 1/8	3 3/8	PLB7890R	4	10 3/8	11 5/8	-	13 3/4	3 7/8	3/4	1 5/16	5 7/8	7 15/16	10 1/2	1 3/4	42.00
22220	3.94	4 1/2	3 13/16	PLB78100R	4 1/2	11 5/8	13 1/8	-	15 1/4	4 3/8	7/8	1 1/2	6	8 7/8	11 3/4	1 29/32	62.00
Four-Bolt Pillow Block																	
22215	2.95	3 7/16	2 13/16	PLB7875FR	3 1/4	8 5/8	9 5/8	1 7/8	11 1/4	3 1/8	1/2	1 1/8	4 3/4	6 3/8	8 3/8	1 15/32	35.00
22216	3.15	3 5/8	3	PLB7880FR	3 1/2	9 5/8	11	2	13	3 1/2	5/8	1 1/4	5 1/4	7	9 1/2	1 1/2	35.00
22217	3.35	3 15/16	3 3/16	PLB7885FR	3 3/4	9 7/8	11	2	13	3 1/2	5/8	1 1/4	5	7 5/16	10	1 19/32	40.00
22218	3.54	4 1/8	3 3/8	PLB7890FR	4	10 3/8	11 5/8	2 1/8	13 3/4	3 7/8	5/8	1	5 7/8	7 15/16	10 1/2	1 3/4	42.00
22220	3.94	4 1/2	3 13/16	PLB78100FR	4 1/2	11 5/8	13 1/8	2 3/8	15 1/4	4 1/2	3/4	1 1/2	6	8 7/8	11 3/4	1 29/32	62.00
22222	4.33	4 7/8	4 3/16	PLB78110FR	4 15/16	12 5/8	14 1/2	2 3/4	16 1/2	4 3/4	3/4	2	6 1/2	9 5/8	12 1/4	2 1/8	78.00
22224	4.72	5 5/16	4 9/16	PLB78120FR	5 1/4	13 1/4	14 1/2	2 3/4	16 1/2	4 3/4	3/4	1 3/4	7 1/8	10 7/16	13 1/2	2 9/32	102.00
22226	5.12	5 7/8	4 15/16	PLB78130FR	6	14 5/8	16	3 1/4	18 3/8	5 1/8	7/8	2 3/8	7 3/4	11 19/32	14 1/2	2 15/32	141.00
22228	5.51	6 1/4	5 5/16	PLB78140FR	6	16	17 1/8	3 3/8	20 1/8	5 7/8	1	2 3/8	7 3/4	11 13/16	15 1/2	2 5/8	162.00
22230	5.91	6 5/8	5 3/4	PLB78150FR	6 5/16	17	18 1/4	3 3/4	21 1/4	6 1/4	1	2	8 1/8	12 9/16	16	2 3/4	182.00
22232	6.30	7	6 1/16	PLB78160FR	6 11/16	17 3/8	19 1/4	3 3/4	22	6 1/4	1	2 5/8	8 1/2	13 3/8	17	2 31/32	202.00
22234	6.69	7 7/16	6 7/16	PLB78170FR	7 1/16	19 3/8	21 5/8	4 1/4	24 3/4	6 3/4	1	2 3/4	9 1/4	14 1/4	18	3 1/8	240.00
22236	7.09	7 13/16	6 7/8	PLB78180FR	7 1/2	20 7/8	23 5/8	4 5/8	26 3/4	7 1/8	1	3	9 5/8	14 15/16	18 3/4	3 5/32	279.00
22238	7.48	8 3/8	7 1/4	PLB78190FR	7 7/8	21 5/8	24 3/8	4 1/2	28	7 1/2	1 1/4	3 1/8	10 1/4	15 13/16	20 1/2	3 5/16	345.00
22240	7.87	8 3/4	7 5/8	PLB78200FR	8 1/4	22 1/2	25	5	29 1/2	8	1 1/4	2 3/8	11	16 3/4	22 1/4	3 17/32	415.00
22244	8.66	9 9/16	8 5/16	PLB22244	9 1/2	24 3/4	27 7/8	5 1/4	32 3/4	8 3/4	1 1/2	3 3/4	11 7/8	18 5/8	-	-	620.00
				PLB78220FR									11 3/16	18 9/16	24 1/2	3 13/16	
22248	9.45	10 1/2	9 3/16	PLB22248	10 1/4	29	30 1/2	8 3/4	35	14 1/2	1 5/8	3 3/4	14 1/8	20 1/2	-	-	976.00
23048	9.45	10 1/2	9 3/16	PLB76240FH	8 1/4	22 1/2	25	5	29 1/2	8	1 1/4	2 3/8	11	16 3/4	22 1/4	3 13/16	430.00
23056	11.02	12	10 3/4	PLB76280FH	9 1/2	24 3/4	27 7/8	5 1/4	32 3/4	8 3/4	1 1/2	2 3/4	11 3/4	19 1/16	24 1/2	4 1/4	595.00

Additional Notes

- Please call 1-866-REXNORD for availability
- Lubrication fitting tap size: for 3.5433 in (90 mm) and smaller shaft sizes, 1/8 in PT: for all other shaft sizes, 1/4 in PT
- Expansion - is 3/8 in for all shaft sizes
- Drain plug tap size - for 3.5433 in (90 mm) and smaller shaft sizes, 1/8 in PT: for 3.9370 in (100 mm) thru 6.6929 in (170 mm), 1/4 in PT: for all other shaft sizes, 1/2 in PT
- Minimum extension of shaft beyond locknut, .06 in for closed end unit
- Dimension "P" is recommended dimension for cap removal

- Multi-labyrinth seals standard
- For the Selection Guide, Load Ratings and Speed Limits, see the Link-Belt Split Spherical Roller Bearings Engineering section
- For shaft bearing seat diameters, see Link-Belt Split Spherical Bearings Shaft & Housing Seat Diameters section
- Note: Dimensions subject to change. Certified dimensions of ordered material furnished on request.

PKLB7800F, PKLB7600F

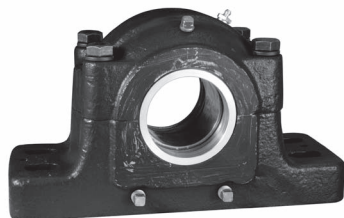
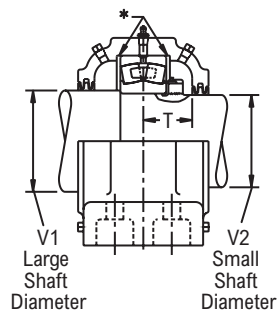
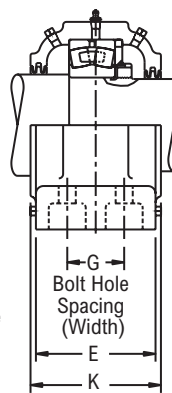
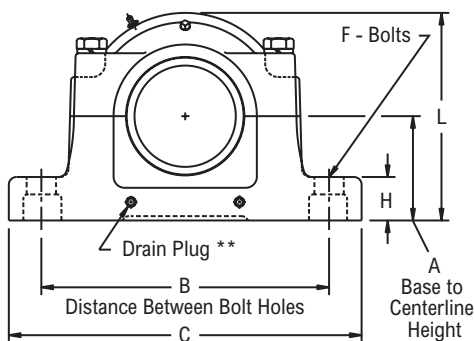


Photo Shows a 4-Bolt Spherical Roller Bearing Two-Piece Pillow Block Unit

Product Features

- Corrosion-resistant powder coating
- Two piece cast steel housing
- Fixed or Expansion - up to 3/8 in expansion
- Matched base & cap
- Large reservoir for grease or oil storage
- Direct shaft mounted
- See Features & Benefits for additional info.



Fixed

Expansion

Bearing Dimensions

Size Code	Shaft Diameter	V1 Large Shaft Diameter	V2 Small Shaft Diameter	Part Number	A Base to Centerline Height	B Min. Distance Between Bolt Holes	B Max. Distance Between Bolt Holes	G Bolt Hole Spacing (Width)	C	E	F	H	K	L	P	T	Approx. Weight
22215	2.9528	3 7/16	2 13/16	PKLB7875FR	3 1/4	8 5/8	9 5/8	1 7/8	11 1/4	4 3/8	1/2	1 1/2	4 3/4	6 3/8	10 1/4	1 15/32	35.00
22216	3.1496	3 5/8	3	PKLB7880FR	3 1/2	9 5/8	11	2	13	4 7/8	5/8	1 5/8	5 1/4	7	11	1 1/2	48.00
22217	3.3465	3 15/16	3 3/16	PKLB7885FR	3 3/4	9 7/8	11	2	13	4 7/8	5/8	1 5/8	5 1/4	7 3/8	11 1/2	1 19/32	50.00
22220	3.9370	4 1/2	3 13/16	PKLB78100FR	4 1/2	11 5/8	13 1/8	2 3/8	15 1/4	6	3/4	1 7/8	6 1/2	8 13/16	13 3/4	1 29/32	85.00
22222	4.3307	4 7/8	4 3/16	PKLB78110FR	4 15/16	12 5/8	14 1/2	2 3/4	16 1/2	6 1/2	3/4	2	7	9 3/4	15 1/4	2 1/8	105.00
22226	5.1181	5 7/8	4 15/16	PKLB78130FR	6	14 5/8	16	3 1/4	18 3/8	7 1/4	7/8	2 1/4	7 3/4	11 1/2	18 1/4	2 15/32	187.00
22228	5.5118	6 1/4	5 5/16	PKLB78140FR	6	16	17 1/8	3 3/8	20 1/8	6 7/8	1	2 1/2	7 1/2	11 15/16	19 1/4	2 5/8	190.00
22232	6.2992	7	6 1/16	PKLB78160FR	6 11/16	17 3/8	19 1/4	3 3/4	22	8	1	2 3/4	8 1/2	13 1/2	20 1/2	2 31/32	250.00
22234	6.6929	7 7/16	6 7/16	PKLB78170FR	7 1/16	19 3/8	21 5/8	4 1/4	24 3/4	8 3/4	1	3	9 1/4	14 1/4	22 1/4	3 1/8	344.00
22236	7.0866	7 13/16	6 7/8	PKLB78180FR	7 1/2	20 7/8	23 5/8	4 5/8	26 3/4	9 1/8	1	3 1/4	9 5/8	14 15/16	23 1/4	3 5/32	365.00
22238	7.4803	8 3/8	7 1/4	PKLB78190FR	7 7/8	21 5/8	24 3/8	4 1/2	28	9 3/4	1 1/4	3 1/4	10 1/4	15 13/16	25	3 5/16	450.00
22244	8.6614	9 9/16	8 5/16	PKLB78220FR	9 1/2	25 5/8	27 7/8	7 1/4	32	12	1 3/4	4	12 5/8	18 11/16	29 1/4	3 13/16	770.00
23048	9.4488	10 1/2	9 3/16	PKLB76240FH	8 1/4	22 1/2	25	5	29 1/2	10 3/8	1 1/4	3 1/2	11	16 1/2	26 1/2	3 13/16	530.00
23056	11.0236	12	10 3/4	PKLB76280FH	9 1/2	25 7/8	27 5/8	7 1/4	32	12	1 3/4	4	12 5/8	18 11/16	29 1/4	4 1/4	745.00

Additional Notes

- Please call 1-866-REXNORD for availability
- Lubrication fitting tap size, 1/4 in PT
- Expansion - is 3/8 in for all shaft sizes
- Drain plug tap size - for 6.6929 in (170 mm) and smaller shaft sizes, 1/4 in PT; for all other shaft sizes, 1/2 in PT
- Minimum extension of shaft beyond locknut, .06 in for closed end unit
- Dimension "P" is recommended dimension for cap removal
- Multi-labyrinth seals standard

- For the Selection Guide, Load Ratings and Speed Limits, see the Link-Belt Split Spherical Roller Bearings Engineering section
- For shaft bearing seat diameters, see Link-Belt Split Spherical Bearings Shaft & Housing Seat Diameters section
- Note: Dimensions subject to change. Certified dimensions of ordered material furnished on request.

PLB6900, PLB6900F, SAF22600

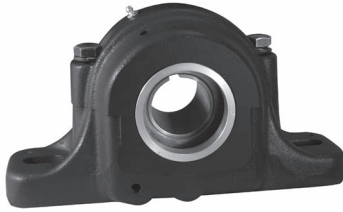
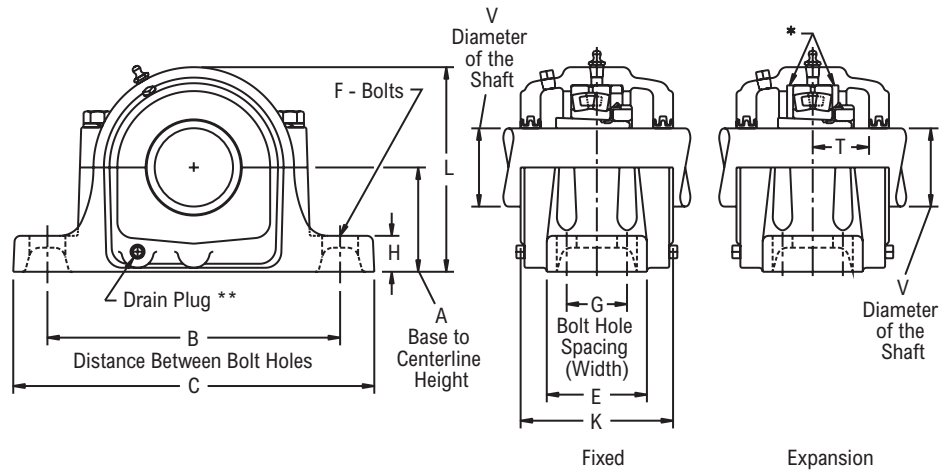


Photo Shows a 2-Bolt Spherical Roller Bearing Two-Piece Pillow Block Unit

Product Features

- Corrosion-resistant powder coating
- Two piece cast iron housing
- Broad range of sealing options
- Fixed or Expansion - up to 3/8 in expansion
- Matched base & cap
- Large reservoir for grease or oil storage
- Tapered adapter mounted
- See Features & Benefits for additional info.



Bearing Dimensions

Size Code	V Shaft Diameter	Part Number	A Base to Centerline Height	B Min. Distance Between Bolt Holes	B Max. Distance Between Bolt Holes	G Bolt Hole Spacing (Width)	C	E	F Bolts	H	K	L	P	T	Approx. Weight
Two-Bolt Pillow Block															
22309	1 7/16	PLB6923R	2 3/4	7 1/4	8	-	9 5/8	2 3/4	5/8	1	4 1/8	5 3/8	7 1/2	1 5/16	20.00
	1 1/2	PLB6924R													
22310	1 11/16	PLB6927R	3	7 3/4	9	-	10 5/8	2 3/4	5/8	1 1/8	4 1/2	5 7/8	7 7/8	1 15/32	23.00
22311	1 15/16	PLB6931R	3 1/4	8 1/8	9 1/2	-	11	3 1/8	5/8	1 3/16	4 3/4	6 5/16	8 1/2	1 9/16	28.00
		2													
22313	2 3/16	PLB6935R	3 1/2	9 5/8	11	-	13	3 1/2	3/4	1 1/4	5 1/4	7	9 5/8	1 23/32	41.00
22315	2 7/16	PLB6939R	4	10 3/8	11 5/8	-	13 3/4	3 7/8	3/4	1 5/16	5 7/8	7 15/16	10 1/2	1 15/16	52.00
		2 1/2													
22316	2 11/16	PLB6943R	4 1/4	10 5/8	12 5/8	-	14 1/4	3 7/8	3/4	1 5/16	6 1/8	8 3/8	11 1/4	2	59.00
22317	2 15/16	PLB6947R	4 1/2	11 5/8	13 1/8	-	15 1/4	4 3/8	7/8	1 1/2	6 1/2	8 7/8	11 3/4	2 1/2	71.00
Four-Bolt Pillow Block															
22313	2 3/16	PLB6935FR	3 1/2	9 5/8	11	2	13	3 1/2	5/8	1 1/4	5 1/4	7	9 5/8	1 23/32	41.00
22315	2 7/16	PLB6939FR	4	10 3/8	11 5/8	2 1/8	13 3/4	3 7/8	5/8	1 5/16	5 7/8	7 15/16	10 1/2	1 15/16	52.00
		2 1/2													
22316	2 11/16	PLB6943FR	4 1/4	10 5/8	12 5/8	2 1/4	14 1/4	3 7/8	5/8	1 5/16	6 1/8	8 3/8	11 1/4	2	59.00
22317	2 15/16	PLB6947FR	4 1/2	11 5/8	13 1/8	2 3/8	15 1/4	4 3/8	3/4	1 1/2	6 1/2	8 7/8	11 3/4	2 1/2	71.00
22318	3 3/16	SAF22618303	4 3/4	12	13 1/2	2 1/4	15 1/2	4 3/8	3/4	2	6 7/8	9 1/4	12 1/4	2 7/32	97.00
22320	3 7/16	SAF22620307	5 1/4	13 1/4	14 1/2	2 3/4	16 1/2	4 3/4	3/4	1 3/4	7 1/8	10 7/16	13 1/2	2 7/16	111.00
		3 1/2													
22322	3 15/16	SAF22622315	6	14 5/8	16	3 1/4	18 3/8	5 1/8	7/8	1 7/8	7 3/4	11 11/16	14 1/2	2 21/32	149.00
		4													
22324	4 3/16	SAF22624403	6 5/16	17	18 1/4	3 3/4	21 1/4	6 1/4	1	2 1/2	8 3/8	12 1/2	16	2 13/16	225.00
22326	4 7/16	SAF22626407	6 11/16	17 3/8	19 1/4	3 3/4	22	6 1/4	1	2 5/8	8 3/4	13 5/16	17	3 5/16	228.00
22328	4 15/16	SAF22628415	7 1/16	19 3/8	21 5/8	4 1/4	24 3/4	6 3/4	1	2 3/4	9 5/8	14 3/16	18	3 1/4	330.00
		5													
22330	5 3/16	SAF22630503	7 1/2	20 7/8	23 5/8	4 5/8	26 3/4	7 1/8	1	3	9 3/4	14 7/8	18 3/4	3 7/16	375.00
22332	5 7/16	SAF22632507	7 7/8	21 5/8	24 3/8	4 1/2	28	7 1/2	1 1/4	3 1/8	10 3/4	15 11/16	20 1/2	3 5/8	430.00
22334	5 15/16	SAF22634515	8 1/4	22 1/2	25	5	29 1/2	8	1 1/4	3 3/8	11 1/4	16 1/2	22 1/4	3 3/4	515.00
22348	8 15/16	PLB22648K81516	12	32 3/4	33 1/2	9	38 1/4	14 3/4	1 5/8	3 1/2	15 1/2	24	-	-	1,370.00
22356	10 7/16	PLB22656K10716	14	36 3/4	38 1/4	10 3/4	43 3/4	18 1/4	2	5	18	28	-	-	2,262.00

Additional Notes

- Please call 1-866-REXNORD for availability
- Lubrication fitting tap size: for 2 11/16 in and smaller shaft sizes, 1/8 in PT; for all other shaft sizes, 1/4 in PT
- Expansion - is 3/8 in for all shaft sizes
- Drain plug tap size - for 2 11/16 in and smaller shaft sizes, 1/8 in PT; for all other shaft sizes, 1/4 in PT
- Minimum extension of shaft beyond locknut, .06 in for closed end unit
- Dimension "P" is recommended dimension for cap removal

- Multi-labyrinth seals standard
- All shaft sizes available with type D5 Pentac seals
- For the Selection Guide, Load Ratings and Speed Limits, see the Link-Belt Split Spherical Roller Bearings Engineering section
- Note: Dimensions subject to change. Certified dimensions of ordered material furnished on request.

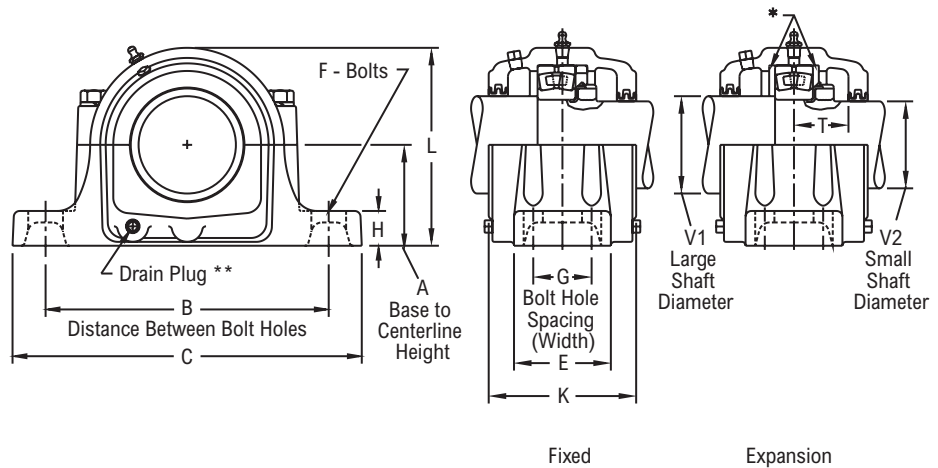
PLB7900, PLB7900F, SAF22300



Photo Shows a 2-Bolt Spherical Roller Bearing Two-Piece Pillow Block Unit

Product Features

- Corrosion-resistant powder coating
- Two piece cast iron housing
- Fixed or Expansion - up to 3/8 in expansion
- Matched base & cap
- Large reservoir for grease or oil storage
- Direct shaft mounted
- See Features & Benefits for additional info.



Bearing Dimensions

Size Code	Shaft Diameter	V1 Large Shaft Diameter	V2 Small Shaft Diameter	Part Number	A Base to Centerline Height	B Min. Distance Between Bolt Holes	B Max. Distance Between Bolt Holes	G Bolt Hole Spacing (Width)	C	E	F Bolts	H	K	L	P	T	Approx. Weight
Two-Bolt Pillow Block																	
22309	1.77	2 1/8	1 11/16	PLB7945R	2 3/4	7 1/4	8	-	9 5/8	2 3/4	5/8	1	4 1/8	5 3/8	7 1/2	1 5/16	18.00
22310	1.97	2 3/8	1 7/8	PLB7950R	3	7 3/4	9	-	10 5/8	2 3/4	5/8	1 1/8	4 1/2	5 7/8	7 7/8	1 15/32	22.00
22311	2.17	2 9/16	2 1/16	PLB7955R	3 1/4	8 1/8	9 1/2	-	11	3 1/8	5/8	1 3/16	4 3/4	6 5/16	8 1/2	1 9/16	27.00
22313	2.56	3 1/16	2 7/16	PLB7965R	3 1/2	9 5/8	11	-	13	3 1/2	3/4	1 1/4	5 1/4	7	9 5/8	1 23/32	39.00
22315	2.95	3 7/16	2 13/16	PLB7975R	4	10 3/8	11 5/8	-	13 3/4	3 7/8	3/4	1 5/16	5 7/8	7 15/16	10 1/2	1 15/16	50.00
22316	3.15	3 5/8	3	PLB7980R	4 1/4	10 5/8	12 5/8	2 1/8	14 1/4	3 7/8	3/4	1 5/16	6 1/8	8 3/8	11 1/4	2	58.00
22317	3.35	3 15/16	3 3/16	PLB7985R	4 1/2	11 5/8	13 1/8	-	15 1/4	4 3/8	7/8	1 1/2	6 1/2	8 7/8	11 3/4	2 1/2	71.00
Four-Bolt Pillow Block																	
22313	2.56	3 1/16	2 7/16	PLB7965FR	3 1/2	9 5/8	11	2	13	3 1/2	5/8	1 1/4	5 1/4	7	9 5/8	1 23/32	39.00
22315	2.95	3 7/16	2 13/16	PLB7975FR	4	10 3/8	11 5/8	2 1/8	13 3/4	3 7/8	5/8	1 5/16	5 7/8	7 15/16	10 1/2	1 15/16	50.00
22316	3.15	3 5/8	3	PLB7980FR	4 1/4	10 5/8	12 5/8	2 1/8	14 1/4	3 7/8	5/8	1 5/16	6 1/8	8 3/8	11 1/4	2	58.00
22317	3.35	3 15/16	3 3/16	PLB7985FR	4 1/2	11 5/8	13 1/8	2 3/8	15 1/4	4 3/8	3/4	1 1/2	6 1/2	8 7/8	11 3/4	2 1/2	71.00
22318	3.54	4 1/8	3 3/8	SAF22318	4 3/4	12	13 1/2	2 1/4	15 1/2	4 3/8	3/4	2	6 7/8	9 3/16	12 1/4	2 7/32	94.00
22320	3.94	4 1/2	3 13/16	SAF22320	5 1/4	13 1/4	14 1/2	2 3/4	16 1/2	4 3/4	3/4	1 3/4	7 1/8	10 7/16	13 1/2	2 7/16	118.00
22322	4.33	4 7/8	4 3/16	SAF22322	6	14 5/8	16	3 1/4	18 3/8	5 1/8	7/8	1 7/8	7 3/4	11 11/16	14 1/2	2 21/32	147.00
22324	4.72	5 5/16	4 9/16	SAF22324	6 5/16	17	18 1/4	3 3/4	21 1/4	6 1/4	1	2 1/2	8 3/8	12 1/2	16	2 13/16	215.00
22326	5.12	5 7/8	4 15/16	SAF22326	6 11/16	17 3/8	19 1/4	3 3/4	22	6 1/4	1	2 5/8	8 3/4	13 5/16	17	3 5/16	215.00
22328	5.51	6 1/4	5 5/16	SAF22328	7 1/16	19 3/8	21 5/8	4 1/4	24 3/4	6 3/4	1	2 3/4	9 3/8	14 3/16	18	3 1/4	320.00
22330	5.91	6 5/8	5 3/4	SAF22330	7 1/2	20 7/8	23 5/8	4 5/8	26 3/4	7 1/8	1	3	9 3/4	14 7/8	18 3/4	3 7/16	350.00
22332	6.30	7	6 1/16	SAF22332	7 7/8	21 5/8	24 3/8	4 1/2	28	7 1/2	1 1/4	3 1/8	10 3/4	15 11/16	20 1/2	3 5/8	410.00
22334	6.69	7 7/16	6 7/16	SAF22334	8 1/4	22 1/2	25	5	29 1/2	8	1 1/4	3 3/8	11 1/4	16 1/2	22 1/4	3 3/4	485.00
22348	9.45	10 1/2	9 1/16	PLB22348	12	32 3/4	33 1/2	9	38 1/4	14 3/4	1 5/8	3 1/2	15 1/2	24	-	-	1,322.00
22356	11.02	12 3/4	10 3/4	PLB22356	14	36 3/4	38 1/4	10 3/4	43 3/4	18 1/4	2	5	18	28	-	-	2,203.00

Additional Notes

- Please call 1-866-REXNORD for availability
- Lubrication fitting tap size: for 3.1496 in (80 mm) and smaller shaft sizes, 1/8 in PT: for all other shaft sizes, 1/4 in PT
- Expansion - is 3/8 in for all shaft sizes
- Drain plug tap size - for 3.1496 in (80 mm) and smaller shaft sizes, 1/8 in PT: for 3.3465 in (85 mm) thru 4.3307 in (110 mm), 1/4 in PT: for 4.7244 in (120 mm) thru 6.2992 in (160 mm), 3/8 in PT: for all other shaft sizes, 1/2 in PT
- Minimum extension of shaft beyond locknut, .06 in for closed end unit
- Dimension "P" is recommended dimension for cap removal

- Multi-labyrinth seals standard
- SAF pillow blocks include locknut and washer
- For the Selection Guide, Load Ratings and Speed Limits, see the Link-Belt Split Spherical Roller Bearings Engineering section
- For shaft bearing seat diameters, see Link-Belt Split Spherical Bearings Shaft & Housing Seat Diameters section
- Note: Dimensions subject to change. Certified dimensions of ordered material furnished on request.

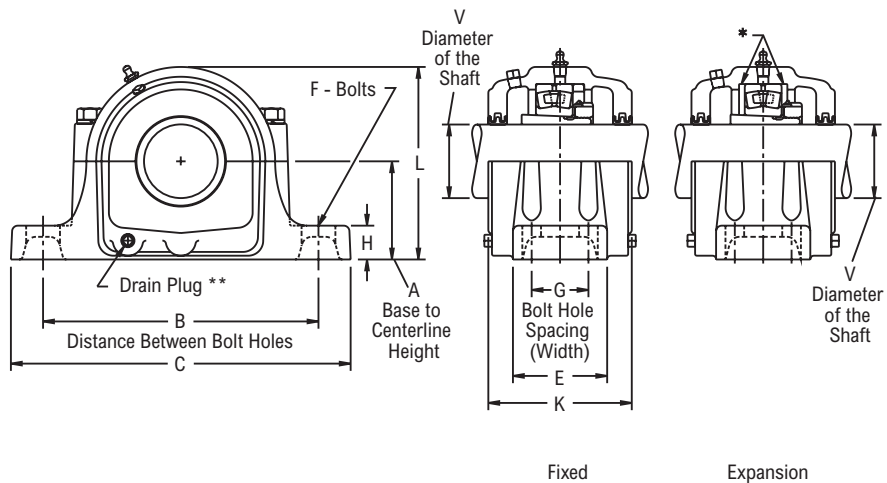
PLB23000K



Photo Shows a 2-Bolt Spherical Roller Bearing Two-Piece Pillow Block Unit

Product Features

- Corrosion-resistant powder coating
- Two piece cast iron housing
- Broad range of sealing options
- Fixed or Expansion - up to 3/8 in expansion
- Matched base & cap
- Large reservoir for grease or oil storage
- Tapered adapter mounted
- See Features & Benefits for additional info.



Fixed

Expansion

Bearing Dimensions

Size Code	Shaft Diameter	Part Number	A Base to Centerline Height	B Min. Distance Between Bolt Holes	B Max. Distance Between Bolt Holes	G Bolt Hole Spacing (Width)	C	E	F Bolts	H	K	L	Approx. Weight
Four-Bolt Pillow Block													
23044	7 ¹⁵ / ₁₆	PLB23044K71516	7 ⁷ / ₈	21 ⁵ / ₈	24 ³ / ₈	4 ¹ / ₂	28	7 ¹ / ₂	1 ¹ / ₄	3 ¹ / ₈	10 ³ / ₄	15 ¹¹ / ₁₆	413.00
	8	PLB23044K8											
23048	8 ¹ / ₂	PLB23048K812	8 ¹ / ₄	22 ¹ / ₂	25	5	29 ¹ / ₂	8	1 ¹ / ₄	3 ³ / ₈	11 ¹ / ₈	16 ¹¹ / ₁₆	474.00
	8 ¹⁵ / ₁₆	PLB23048K81516											
	9	PLB23048K9											
23052	9 ⁷ / ₁₆	PLB23052K9716	9 ¹ / ₂	24 ³ / ₄	27 ⁷ / ₈	5 ¹ / ₄	32 ³ / ₄	8 ³ / ₄	1 ¹ / ₂	3 ³ / ₄	11 ⁷ / ₈	18 ¹³ / ₁₆	530.00
	9 ¹ / ₂	PLB23052K912											
23056	9 ¹⁵ / ₁₆	PLB23056K91516	9 ⁷ / ₈	26 ¹ / ₄	29 ¹ / ₂	5 ¹ / ₂	34 ¹ / ₄	9	1 ¹ / ₂	4	12 ¹ / ₁₆	20 ³ / ₁₆	800.00
	10	PLB23056K10											
	10 ⁷ / ₁₆	PLB23056K10716											
23060	10 ¹⁵ / ₁₆	PLB23060K101516	12	32 ³ / ₄	33 ¹ / ₂	9	38 ¹ / ₄	14 ³ / ₄	1 ⁵ / ₈	3 ¹ / ₂	15 ¹ / ₂	24	1,200.00
	11	PLB23060K11											
23064	11 ¹⁵ / ₁₆	PLB23064K111516	12	32 ³ / ₄	33 ¹ / ₂	9	38 ¹ / ₄	15 ¹ / ₈	1 ⁵ / ₈	3 ¹ / ₂	16 ¹ / ₂	24	1,250.00
	12	PLB23064K12											
23068	12 ¹ / ₂	PLB23068K1212	12	32	33 ¹ / ₂	10	39	15 ¹ / ₄	1 ⁷ / ₈	4 ³ / ₁₆	15 ⁵ / ₄	24	1,550.00
23072	12 ¹⁵ / ₁₆	PLB23072K121516	12 ¹³ / ₁₆	35	36 ¹ / ₂	10 ¹ / ₂	41 ³ / ₄	15 ³ / ₄	1 ⁷ / ₈	4 ¹ / ₂	16 ¹ / ₄	26	1,650.00
	13	PLB23072K13											
23076	13 ¹⁵ / ₁₆	PLB23076K131516	12 ¹³ / ₁₆	35	36 ¹ / ₂	10 ¹ / ₂	41 ³ / ₄	15 ³ / ₄	1 ⁷ / ₈	4 ¹ / ₂	16 ¹ / ₄	26	1,700.00
	14	PLB23076K14											3,245.00
23080	15	PLB23080K15	14 ¹ / ₂	39 ¹ / ₄	40 ³ / ₄	11	46	17 ¹ / ₈	2	5	18	28 ³ / ₄	2,300.00
23084	15 ³ / ₄	PLB23084K1534	14 ¹ / ₂	39 ¹ / ₄	40 ³ / ₄	11	46	17 ¹ / ₈	2	5	18	28 ³ / ₄	2,300.00
23088	16 ¹ / ₂	PLB23088K1612	15 ¹ / ₂	41 ¹ / ₂	43 ¹ / ₂	12 ¹ / ₄	48 ³ / ₄	18 ³ / ₄	2 ¹ / ₄	5 ¹ / ₂	19 ³ / ₈	31	2,550.00
23092	17	PLB23092K17	15 ¹ / ₂	41 ¹ / ₂	43 ¹ / ₂	12 ¹ / ₄	48 ³ / ₄	18 ³ / ₄	2 ¹ / ₄	5 ¹ / ₂	19 ³ / ₈	31	2,850.00
23096	18	PLB23096K18	17	44 ¹ / ₂	46 ³ / ₈	14 ¹ / ₂	52 ³ / ₄	22 ¹ / ₄	2 ¹ / ₄	5 ¹ / ₂	21 ³ / ₄	34	4,250.00
230530	19 ¹ / ₂	PLB230530K1912	18	47 ¹ / ₈	48 ⁷ / ₈	15	54 ¹ / ₄	21 ⁵ / ₈	2 ¹ / ₂	5 ³ / ₄	22 ³ / ₄	35 ³ / ₄	5,200.00
230560	21	PLB230560K21	18	47 ¹ / ₈	48 ⁷ / ₈	15	54 ¹ / ₄	21 ⁵ / ₈	2 ¹ / ₂	5 ³ / ₄	22 ³ / ₄	35 ³ / ₄	3,745.00
230600	22	PLB230600K22	20	52 ¹ / ₂	54	16	60	22	3	6	24 ⁵ / ₈	40	5,525.00
230630	24	PLB230630K24	20	52 ¹ / ₂	54	16	60	22	3	6	24 ⁵ / ₈	40	5,356.00

Additional Notes

- Please Call 1-866-REXNORD for availability
- Lubrication Fitting Tap Size, 1/4 in PT
- Expansion is 3/8 in for all shaft sizes
- Multi-labyrinth seals standard

For the Selection Guide, Load Ratings and Speed Limits, see the Link-Belt Split Spherical Roller Bearings Engineering section

Note: Dimensions subject to change. Certified dimensions of ordered material furnished on request.

PLB23000

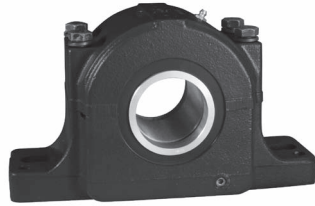
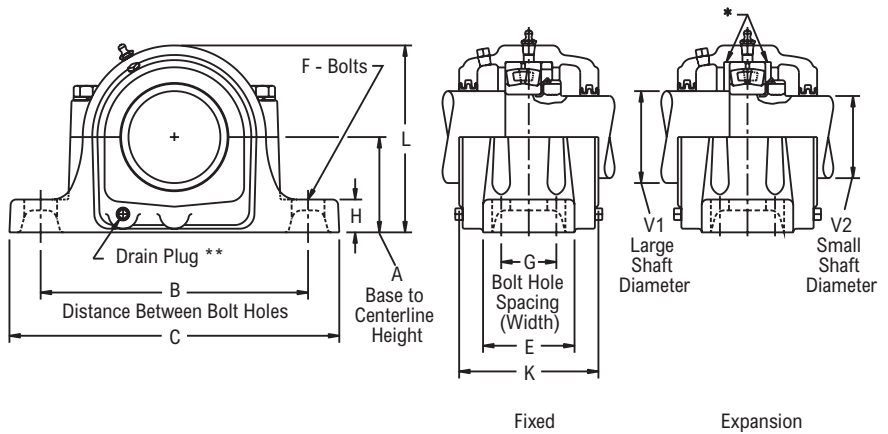


Photo Shows a 2-Bolt Spherical Roller Bearing Two-Piece Pillow Block Unit

Product Features

- Corrosion-resistant powder coating
- Two piece cast iron housing
- Fixed or Expansion - up to 3/8 in expansion
- Matched base & cap
- Large reservoir for grease or oil storage
- Direct shaft mounted
- See Features & Benefits for additional info.



Bearing Dimensions

Size Code	Shaft Diameter	V1 Large Shaft Diameter	V2 Small Shaft Diameter	Part Number	A Base to Centerline Height	B Min. Distance Between Bolt Holes	B Max. Distance Between Bolt Holes	G Bolt Hole Spacing (Width)	C	E	F Bolts	H	L	Approx. Weight
Four-Bolt Pillow Block														
23044	8.66	9 9/16	8 5/16	PLB23044	7 7/8	21 5/8	24 3/8	4 1/2	28	7 1/2	1 1/4	3 1/8	15 11/16	413.00
23048	9.45	10 1/2	9 3/16	PLB23048	8 1/4	22 1/2	25	5	29 1/2	8	1 1/4	3 3/8	16 11/16	388.00
23052	10.24	11 1/2	9 15/16	PLB23052	9 1/2	24 3/4	27 7/8	5 1/4	32 3/4	8 3/4	1 1/2	3 3/4	18 13/16	547.00
23056	11.02	12 1/2	10 3/4	PLB23056	9 7/8	26 1/4	29 1/2	5 1/2	34 1/4	9	1 1/2	4	20 3/16	528.00
23060	11.81	13	11 1/2	PLB23060	12	32 3/4	33 1/2	9	38 1/4	14 3/4	1 5/8	3 1/2	24	1,200.00
23064	12.60	13 3/4	12 1/4	PLB23064	12	32 3/4	33 1/2	9	38 1/4	15 1/8	1 5/8	3 1/2	24	1,300.00
23068	13.39	15	13	PLB23068	12	32	33 1/2	10	39	15 1/4	1 7/8	4 3/16	24	1,550.00
23072	14.17	15 3/4	13 3/4	PLB23072	12 13/16	35	36 1/2	10 1/2	41 3/4	15 3/4	1 7/8	4 1/2	26	1,650.00
23076	14.96	16 3/4	14 1/2	PLB23076	12 13/16	35	36 1/2	10 1/2	41 3/4	15 3/4	1 7/8	4 1/2	26	1,700.00
23080	15.75	17 1/2	15 3/8	PLB23080	14 1/2	39 1/4	40 3/4	11	46	17 1/8	2	5	28 3/4	2,300.00
23084	16.54	18	16	PLB23084	14 1/2	39 1/4	40 3/4	11	46	17 1/8	2	5	28 3/4	2,300.00
23088	17.32	19 1/2	17	PLB23088	15 1/2	41 1/2	43 1/2	12 1/4	48 3/4	18 3/4	2 1/4	5 1/2	31	2,550.00
23092	18.11	20	17 3/4	PLB23092	15 1/2	41 1/2	43 1/2	12 1/4	48 3/4	18 3/4	2 1/4	5 1/2	31	2,850.00
23096	18.90	21	18 1/2	PLB23096	17	44 1/2	46 5/8	14 1/2	52 3/4	22 1/4	2 1/4	5 1/2	34	4,250.00
230530	20.87	22 1/2	20 3/8	PLB230530	18	47 1/8	48 7/8	15	54 1/4	21 5/8	2 1/2	5 3/4	35 3/4	5,200.00
230560	22.05	-	-	PLB230560	18	47 1/8	48 7/8	15	54 1/4	21 5/8	2 1/2	5 3/4	35 3/4	3,745.00

Additional Notes

- Please Call 1-866-REXNORD for availability
- Lubrication Fitting Tap Size, 1/4 in PT
- Expansion is 3/8 in for all shaft sizes
- Multi-labyrinth seals standard
- For the Selection Guide, Load Ratings and Speed Limits, see the Link-Belt Split Spherical Roller Bearings Engineering section
- Note: Dimensions subject to change. Certified dimensions of ordered material furnished on request.

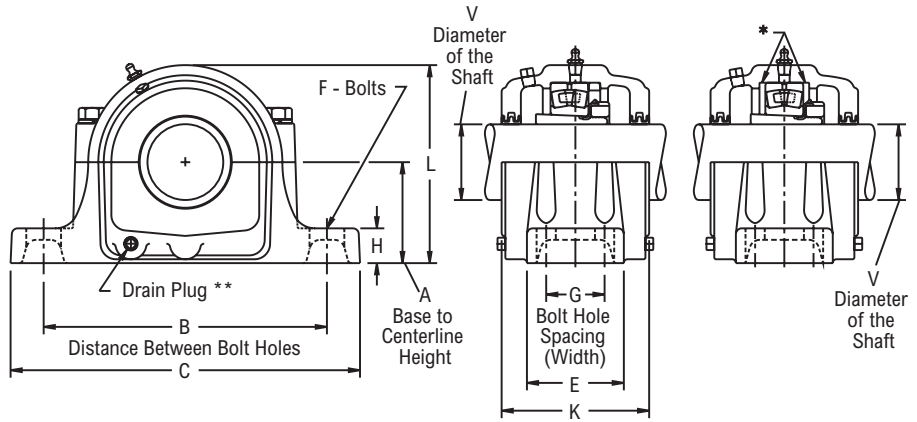
PLB23100K



Two-Piece Pillow Block Unit

Product Features

- Corrosion-resistant powder coating
- Two piece cast iron housing
- Broad range of sealing options
- Fixed or Expansion - up to 3/8 in expansion
- Matched base & cap
- Large reservoir for grease or oil storage
- Tapered adapter mounted
- See Features & Benefits for additional info.



Bearing Dimensions

Size Code	Shaft Diameter	Part Number	A Base to Centerline Height	B Min. Distance Between Bolt Holes	B Max. Distance Between Bolt Holes	G Bolt Hole Spacing (Width)	C	E	F Bolts	H	L	Approx. Weight
Four-Bolt Pillow Block												
23144	8	PLB23144K8	8 1/4	22 1/2	25	5	29 1/2	8	1 1/4	3 3/8	16 1/2	496.00
23148	8 15/16	PLB23148K81516	9 1/2	24 3/4	27 7/8	5 1/4	32 3/4	8 3/4	1 1/2	3 3/4	18 5/8	820.00
23152	9 7/16	PLB23152K9716	10 1/4	29	30 1/2	8 3/4	35	14 1/2	1 5/8	3 3/4	20 1/2	1,029.00
23156	10 7/16	PLB23156K10716	12	32 3/4	33 1/2	9	38 1/4	14 3/4	1 5/8	3 1/2	24	1,253.00
23160	10 15/16	PLB23160K101516	12	32 3/4	33 1/2	9	38 1/4	15 1/8	1 5/8	3 1/2	24	1,333.00
23164	11 15/16	PLB23164K111516	12 13/16	35	36 1/2	10 1/2	41 3/4	15 3/4	1 7/8	4 1/2	26	1,768.00
23168	12 7/16	PLB23168K12716	14	36 3/4	38 1/4	10 3/4	43 3/4	18 1/4	2	5	28	2,265.00
23172	13 7/16	PLB23172K13716	14 1/2	39 1/4	40 3/4	11	46	17 1/8	2	5	28 3/4	2,442.00
23176	13 15/16	PLB23176K131516	14 1/2	39 1/4	40 3/4	11	46	17 1/8	2	5	28 3/4	2,473.00
23180	15	PLB23180K15	15 1/2	41 1/2	43 1/2	12 1/4	48 3/4	18 3/4	2 1/4	5 1/2	31	3,119.00
23184	15 3/4	PLB23184K1534	17	44 1/2	46 5/8	14 1/2	52 3/4	22 1/4	2 1/4	5 1/2	34	4,039.00
23188	16 1/2	PLB23188K1612	17	44 1/2	46 5/8	14 1/2	52 3/4	22 1/4	2 1/4	5 1/2	34	4,003.00
23192	17	PLB23192K17	18	47 1/8	48 7/8	15	54 1/4	21 5/8	2 1/2	5 3/4	35 3/4	4,600.00
23196	18	PLB23196K18	18	47 1/8	48 7/8	15	54 1/4	21 5/8	2 1/2	5 3/4	35 3/4	4,707.00
231530	19 1/2	PLB231530K1912	20	52 1/2	54	16	60	22	3	6	40	6,002.00
231560	21	PLB231560K21	20	52 1/2	54	16	60	22	3	6	40	5,881.00

Additional Notes

- Please Call 1-866-REXNORD for availability
- Lubrication Fitting Tap Size, 1/4 in PT
- Expansion is 3/8 in for all shaft sizes
- Multi-labyrinth seals standard
- For the Selection Guide, Load Ratings and Speed Limits, see the Link-Belt Split Spherical Roller Bearings Engineering section
- Note: Dimensions subject to change. Certified dimensions of ordered material furnished on request.

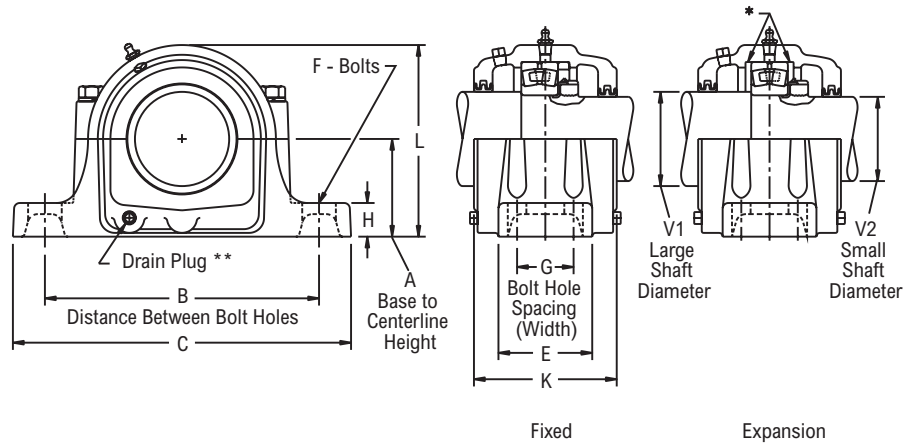
PLB23100



Photo Shows a 2-Bolt Spherical Roller Bearing Two-Piece Pillow Block Unit

Product Features

- Corrosion-resistant powder coating
- Two piece cast iron housing
- Fixed or Expansion - up to 3/8 in expansion
- Matched base & cap
- Large reservoir for grease or oil storage
- Direct shaft mounted
- See Features & Benefits for additional info.



Bearing Dimensions

Size Code	Shaft Diameter	V1 Large Shaft Diameter	V2 Small Shaft Diameter	Part Number	A Base to Centerline Height	B Min. Distance Between Bolt Holes	B Max. Distance Between Bolt Holes	G Bolt Hole Spacing (Width)	C	E	F Bolts	H	L	Approx. Weight
Four-Bolt Pillow Block														
23144	8.66	9 ⁹ / ₁₆	8 ⁵ / ₁₆	PLB23144	8 ¹ / ₄	22 ¹ / ₂	25	5	29 ¹ / ₂	8	1 ¹ / ₄	3 ³ / ₈	16 ¹ / ₂	466.00
23148	9.45	10 ¹ / ₂	9 ³ / ₁₆	PLB23148	9 ¹ / ₂	24 ³ / ₄	27 ⁷ / ₈	5 ¹ / ₄	32 ³ / ₄	8 ³ / ₄	1 ¹ / ₂	3 ³ / ₄	18 ⁵ / ₈	782.00
23152	10.24	11 ¹ / ₂	9 ¹⁵ / ₁₆	PLB23152	10 ¹ / ₄	29	30 ¹ / ₂	8 ³ / ₄	35	14 ¹ / ₂	1 ⁵ / ₈	3 ³ / ₄	20 ¹ / ₂	985.00
23156	11.02	12 ¹ / ₂	10 ³ / ₄	PLB23156	12	32 ³ / ₄	33 ¹ / ₂	9	38 ¹ / ₄	14 ³ / ₄	1 ⁵ / ₈	3 ¹ / ₂	24	1,206.00
23160	11.81	13	11 ¹ / ₂	PLB23160	12	32 ³ / ₄	33 ¹ / ₂	9	38 ¹ / ₄	15 ¹ / ₈	1 ⁵ / ₈	3 ¹ / ₂	24	1,305.00
23164	12.60	14	12 ¹ / ₄	PLB23164	12 ¹³ / ₁₆	35	36 ¹ / ₂	10 ¹ / ₂	41 ³ / ₄	15 ³ / ₄	1 ⁷ / ₈	4 ¹ / ₂	26	1,504.00
23168	13.39	15	13	PLB23168	14	36 ³ / ₄	38 ¹ / ₄	10 ³ / ₄	43 ³ / ₄	18 ¹ / ₄	2	5	28	2,172.00
23172	14.17	16	13 ³ / ₄	PLB23172	14 ¹ / ₂	39 ¹ / ₄	40 ³ / ₄	11	46	17 ¹ / ₈	2	5	28 ³ / ₄	2,322.00
23176	14.96	17	14 ¹ / ₂	PLB23176	14 ¹ / ₂	39 ¹ / ₄	40 ³ / ₄	11	46	17 ¹ / ₈	2	5	28 ³ / ₄	2,348.00
23180	15.75	17 ¹ / ₂	15 ¹ / ₄	PLB23180	15 ¹ / ₂	41 ¹ / ₂	43 ¹ / ₂	12 ¹ / ₄	48 ³ / ₄	18 ³ / ₄	2 ¹ / ₄	5 ¹ / ₂	31	2,979.00
23184	16.54	18 ¹ / ₂	15 ³ / ₄	PLB23184	17	44 ¹ / ₂	46 ⁵ / ₈	14 ¹ / ₂	52 ³ / ₄	22 ¹ / ₄	2 ¹ / ₄	5 ¹ / ₂	34	3,894.00
23188	17.32	19 ¹ / ₂	17	PLB23188	17	44 ¹ / ₂	46 ⁵ / ₈	14 ¹ / ₂	52 ³ / ₄	22 ¹ / ₄	2 ¹ / ₄	5 ¹ / ₂	34	3,852.00
23192	18.11	20	17 ³ / ₄	PLB23192	18	47 ¹ / ₈	48 ⁷ / ₈	15	54 ¹ / ₄	21 ⁵ / ₈	2 ¹ / ₂	5 ³ / ₄	35 ³ / ₄	4,391.00
23196	18.90	21	18 ¹ / ₂	PLB23196	18	47 ¹ / ₈	48 ⁷ / ₈	15	54 ¹ / ₄	21 ⁵ / ₈	2 ¹ / ₂	5 ³ / ₄	35 ³ / ₄	4,506.00
231530	20.87	-	-	PLB231530	20	52 ¹ / ₂	54	16	60	22	3	6	40	6,002.00
231560	22.05	-	-	PLB231560	20	52 ¹ / ₂	54	16	60	22	3	6	40	5,881.00

Additional Notes

- Please Call 1-866-REXNORD for availability
- Lubrication Fitting Tap Size, 1/4 in PT
- Expansion is 3/8 in for all shaft sizes
- Multi-labyrinth seals standard
- For the Selection Guide, Load Ratings and Speed Limits, see the Link-Belt Split Spherical Roller Bearings Engineering section
- Note: Dimensions subject to change. Certified dimensions of ordered material furnished on request.

PLB23200K

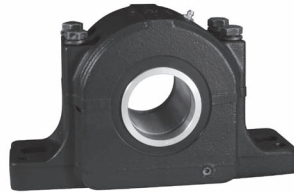
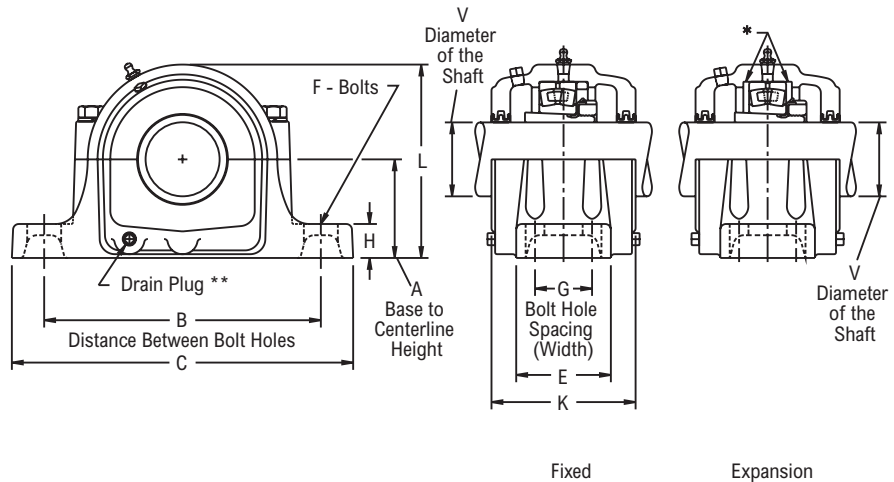


Photo Shows a 2-Bolt Spherical Roller Bearing Two-Piece Pillow Block Unit

Product Features

- Corrosion-resistant powder coating
- Two piece cast iron housing
- Broad range of sealing options
- Fixed or Expansion - up to 3/8 in expansion
- Matched base & cap
- Large reservoir for grease or oil storage
- Tapered adapter mounted
- See Features & Benefits for additional info.



Bearing Dimensions

Size Code	Shaft Diameter	Part Number	A Base to Centerline Height	B Min. Distance Between Bolt Holes	B Max. Distance Between Bolt Holes	G Bolt Hole Spacing (Width)	C	E	F Bolts	H	L	Approx. Weight
Four-Bolt Pillow Block												
23244	8	PLB23244K8	9 1/2	24 3/4	27 7/8	5 1/4	32 3/4	8 3/4	1 1/2	3 3/4	18 5/8	712.00
23248	8 15/16	PLB23248K81516	10 1/4	29	30 1/2	8 3/4	35	14 1/2	1 5/8	3 3/4	20 1/2	1,080.00
23252	9 7/16	PLB23252K9716	12	32 3/4	33 1/2	9	38 1/4	15 1/8	1 5/8	3 1/2	24	1,301.00
23256	10 7/16	PLB23256K10716	12	32 3/4	33 1/2	9	38 1/4	15 1/8	1 5/8	3 1/2	24	1,400.00
23260	10 15/16	PLB23260K101516	12 13/16	35	36 1/2	10 1/2	41 3/4	15 3/4	1 7/8	4 1/2	26	1,822.00
23264	11 15/16	PLB23264K111516	14	36 3/4	38 1/4	10 3/4	43 3/4	18 1/4	2	5	28	2,173.00
23268	12 7/16	PLB23268K12716	14 1/2	39 1/4	40 3/4	11	46	17 1/8	2	5	28 3/4	2,582.00
23272	13 7/16	PLB23272K13716	15 1/2	41 1/2	43 1/2	12 1/4	48 3/4	18 3/4	2 1/4	5 1/2	31	3,278.00
23276	13 15/16	PLB23276K131516	15 1/2	41 1/2	43 1/2	12 1/4	48 3/4	18 3/4	2 1/4	5 1/2	31	3,245.00
23280	15	PLB23280K15	17	44 1/2	46 5/8	14 1/2	52 3/4	22 1/4	2 1/4	5 1/2	34	4,297.00
23284	15 3/4	PLB23284K1534	18	47 1/8	48 7/8	15	54 1/4	21 5/8	2 1/2	5 3/4	35 3/4	4,800.00
23288	16 1/2	PLB23288K1612	18	47 1/8	48 7/8	15	54 1/4	21 5/8	2 1/2	5 3/4	35 3/4	4,798.00
23292	17	PLB23292K17	18	47 1/8	48 7/8	15	54 1/4	21 5/8	2 1/2	5 3/4	35 3/4	4,461.00
23296	18	PLB23296K18	20	52 1/2	54	16	60	22	3	6	40	6,362.00

Additional Notes

- Please Call 1-866-REXNORD for availability
- Lubrication Fitting Tap Size, 1/4 in PT
- Expansion is 3/8 in for all shaft sizes
- Multi-labyrinth seals standard
- For the Selection Guide, Load Ratings and Speed Limits, see the Link-Belt Split Spherical Roller Bearings Engineering section
- Note: Dimensions subject to change. Certified dimensions of ordered material furnished on request.

PLB23200

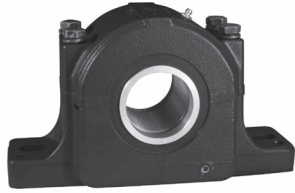
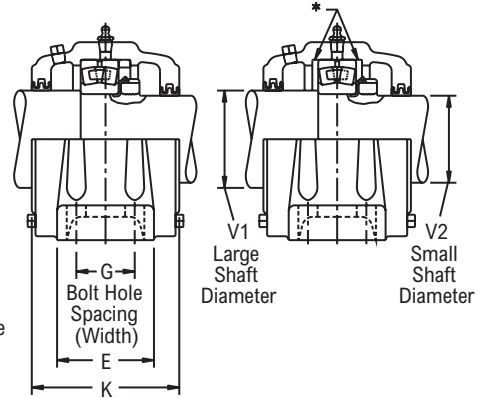
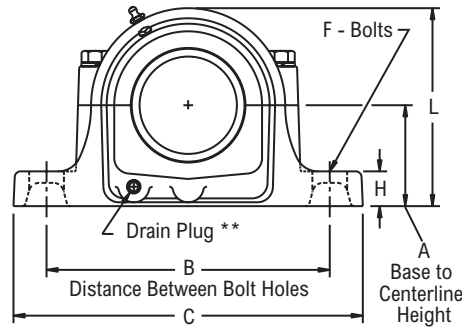


Photo Shows a 2-Bolt Spherical Roller Bearing Two-Piece Pillow Block Unit

Product Features

- Corrosion-resistant powder coating
- Two piece cast iron housing
- Fixed or Expansion - up to 3/8 in expansion
- Matched base & cap
- Large reservoir for grease or oil storage
- Direct shaft mounted
- See Features & Benefits for additional info.



Fixed

Expansion

Bearing Dimensions

Size Code	Shaft Diameter	V1 Large Shaft Diameter	V2 Small Shaft Diameter	Part Number	A Base to Centerline Height	B Min. Distance Between Bolt Holes	B Max. Distance Between Bolt Holes	G Bolt Hole Spacing (Width)	C	E	F Bolts	H	L	Approx. Weight
Four-Bolt Pillow Block														
23244	8.66	9 ⁹ / ₁₆	8 ⁵ / ₁₆	PLB23244	9 ¹ / ₂	24 ³ / ₄	27 ⁷ / ₈	5 ¹ / ₄	32 ³ / ₄	8 ³ / ₄	1 ¹ / ₂	3 ³ / ₄	18 ⁵ / ₈	661.00
23248	9.45	10 ¹ / ₂	9 ³ / ₁₆	PLB23248	10 ¹ / ₄	29	30 ¹ / ₂	8 ³ / ₄	35	14 ¹ / ₂	1 ⁵ / ₈	3 ³ / ₄	20 ¹ / ₂	1,032.00
23252	10.24	11 ¹ / ₂	9 ¹⁵ / ₁₆	PLB23252	12	32 ³ / ₄	33 ¹ / ₂	9	38 ¹ / ₄	15 ¹ / ₈	1 ⁵ / ₈	3 ¹ / ₂	24	1,247.00
23256	11.02	12 ¹ / ₂	10 ³ / ₄	PLB23256	12	32 ³ / ₄	33 ¹ / ₂	9	38 ¹ / ₄	15 ¹ / ₈	1 ⁵ / ₈	3 ¹ / ₂	24	1,400.00
23260	11.81	13	11 ¹ / ₂	PLB23260	12 ¹³ / ₁₆	35	36 ¹ / ₂	10 ¹ / ₂	41 ³ / ₄	15 ³ / ₄	1 ⁷ / ₈	4 ¹ / ₂	26	1,754.00
23264	12.60	14	12 ¹ / ₄	PLB23264	14	36 ³ / ₄	38 ¹ / ₄	10 ³ / ₄	43 ³ / ₄	18 ¹ / ₄	2	5	28	2,243.00
23268	13.39	15	13	PLB23268	14 ¹ / ₂	39 ¹ / ₄	40 ³ / ₄	11	46	17 ¹ / ₈	2	5	28 ³ / ₄	2,492.00
23272	14.17	16	13 ³ / ₄	PLB23272	15 ¹ / ₂	41 ¹ / ₂	43 ¹ / ₂	12 ¹ / ₄	48 ³ / ₄	18 ³ / ₄	2 ¹ / ₄	5 ¹ / ₂	31	3,143.00
23276	14.96	17	14 ¹ / ₂	PLB23276	15 ¹ / ₂	41 ¹ / ₂	43 ¹ / ₂	12 ¹ / ₄	48 ³ / ₄	18 ³ / ₄	2 ¹ / ₄	5 ¹ / ₂	31	3,100.00
23280	15.75	17 ¹ / ₂	15 ¹ / ₄	PLB23280	17	44 ¹ / ₂	46 ⁵ / ₈	14 ¹ / ₂	52 ³ / ₄	22 ¹ / ₄	2 ¹ / ₄	5 ¹ / ₂	34	4,132.00
23284	16.54	18 ¹ / ₂	15 ³ / ₄	PLB23284	18	47 ¹ / ₈	48 ⁷ / ₈	15	54 ¹ / ₄	21 ⁵ / ₈	2 ¹ / ₂	5 ³ / ₄	35 ³ / ₄	4,636.00
23288	17.32	19 ¹ / ₂	17	PLB23288	18	47 ¹ / ₈	48 ⁷ / ₈	15	54 ¹ / ₄	21 ⁵ / ₈	2 ¹ / ₂	5 ³ / ₄	35 ³ / ₄	4,608.00
23292	18.11	20	17 ³ / ₄	PLB23292	18	47 ¹ / ₈	48 ⁷ / ₈	15	54 ¹ / ₄	21 ⁵ / ₈	2 ¹ / ₂	5 ³ / ₄	35 ³ / ₄	4,461.00
23296	18.90	21	18 ¹ / ₂	PLB23296	20	52 ¹ / ₂	54	16	60	22	3	6	40	6,362.00

Additional Notes

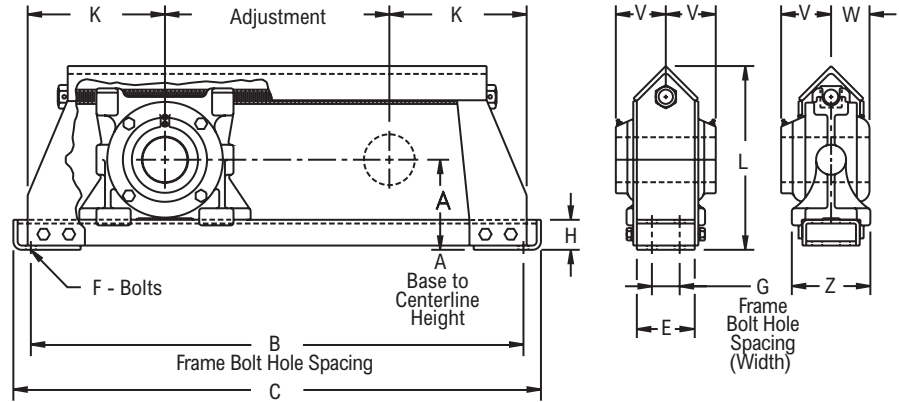
- Please Call 1-866-REXNORD for availability
- Lubrication Fitting Tap Size, 1/4 in PT
- Expansion is 3/8 in for all shaft sizes
- Multi-labyrinth seals standard
- For the Selection Guide, Load Ratings and Speed Limits, see the Link-Belt Split Spherical Roller Bearings Engineering section
- Note: Dimensions subject to change. Certified dimensions of ordered material furnished on request.

DSL6800



Photo Shows a Hinged Top, Welded Steel Conveyor Take-Up Frame with Spherical Roller Bearing Take-Up Unit

- Protected screw type frame
- Corrosion-resistant powder coating
- Cast iron housing
- Independently flushable D8 seals
- Tapered adapter mounted
- See Features & Benefits for additional info.



Bearing Dimensions

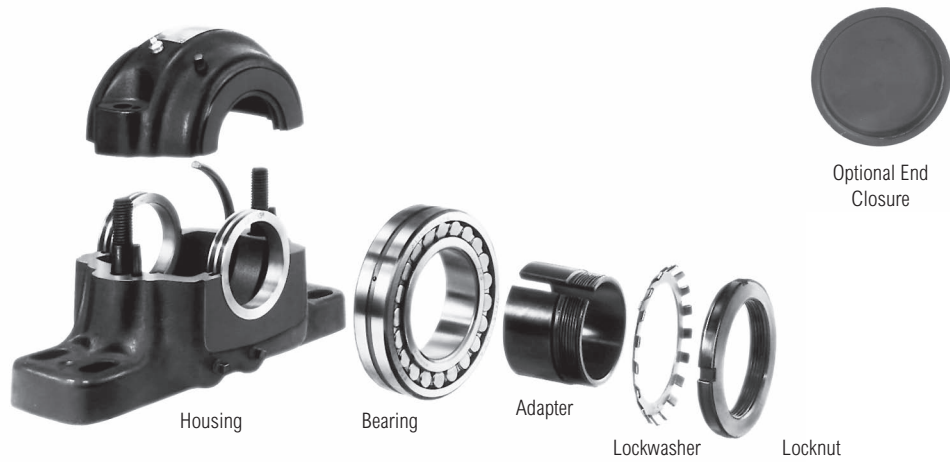
Size Code	Shaft Diameter	Adjust.	Part Number	A Base to Centerline Height	B Frame Bolt Hole Spacing	G Frame Bolt Hole Spacing (Width)	C	E	F	H	K	L	V	W	Z	Approx. Weight
22215	2 7/16	12	DSL683912	5 1/8	30 1/2	2	32 1/2	4	5/8	2	9 1/4	10 7/8	3 15/32	2 19/32	5 5/8	94.00
		18	DSL683918		36 1/2		38 1/2									103.00
		24	DSL683924		42 1/2		44 1/2									111.00
		30	DSL683930		48 1/2		50 1/2									119.00
22217	2 15/16	12	DSL684712	5 5/8	32	2	34 1/4	4	3/4	2	10	11 13/16	3 1/2	2 5/8	5 5/8	120.00
		18	DSL684718		38		40 1/4									130.00
		24	DSL684724		44		46 1/4									145.00
		30	DSL684730		50		52 1/4									155.00
22220	3 7/16	12	DSL685512	7	36	2 1/2	38 1/2	5	3/4	2 1/4	12	14 11/16	4 1/8	3 1/4	6 7/8	206.00
		18	DSL685518		42		44 1/2									218.00
		24	DSL685524		48		50 1/2									230.00
		30	DSL685530		54		56 1/2									242.00
22222	3 15/16	12	DSL686312	7 1/2	36	2 1/2	38 1/2	5	3/4	2 1/4	12	15 11/16	4 3/8	3 1/2	6 7/8	255.00
		18	DSL686318		42		44 1/2									270.00
		24	DSL686324		48		50 1/2									285.00
		30	DSL686330		54		56 1/2									300.00
22226	4 7/16	18	DSL687118	10	47	3	50 1/2	6	7/8	4	14 1/2	20 1/4	4 7/8	3 3/4	7 7/8	414.00
		24	DSL687124		53		56 1/2									432.00
		30	DSL687130		59		62 1/2									450.00
22228	4 15/16	18	DSL687918	10 1/2	49	3	52 1/2	6	1	4	15 1/2	21 1/8	4 3/4	3 27/32	7 7/8	475.00
		24	DSL687924		55		58 1/2									494.00
		30	DSL687930		61		64 1/2									515.00
22234	5 15/16	18	DSL689518	12 1/8	55 7/8	3 3/4	60 1/4	7 1/2	1 1/4	4	18 15/16	25 1/2	5 33/64	4 1/2	9 7/8	708.00
		24	DSL689524		61 7/8		66 1/4									726.00
		30	DSL689530		67 7/8		72 1/4									746.00
		42	DSL689542		79 7/8		84 1/4									784.00

Additional Notes

- Please call 1-866-REXNORD for availability
- Expansion - is 3/8 in for all shaft sizes
- For shaft sizes 2 7/16 in thru 2 15/16 in, frame has removable top construction
- Frames with adjustment of 18" or more have center supporting pad welded to bottom of frame
- Taconite seals standard
- For the Selection Guide, Load Ratings and Speed Limits, see the Link-Belt Split Spherical Roller Bearings Engineering section

Note: Dimensions subject to change. Certified dimensions of ordered material furnished on request.

PLB6600, PLB6800, PLB66M00, PLB68M00 Spherical Roller Bearing Unit Replacement Parts



Bearing Dimensions

Shaft Diameter	Pillow Block	Spherical Roller Bearing	Labyrinth Seal	Adapter Assembly	C-Spacer Ring	End Closure	2-Bolt Cast Iron Adapter Housing	4-Bolt Cast Iron Adapter Housing
	Part Number	Part Number	Part Number	Part Number	Part Number	Part Number	Part Number	Part Number
1 7/16	PLB6823R	22209LBKC3	LB69233R	H309023	68244	LB69246R	PLB6823R02	-
1 1/2	PLB6824R	22209LBKC3	LB69243R	H309024	68244	LB69246R	PLB6824R02	-
1 11/16	PLB6827R	22210LBKC3	LB69273R	H310027	68284	LB69286R	PLB6827R02	-
1 3/4	PLB6828R	22210LBKC3	LB69283R	H310028	68284	LB69286R	PLB6828R02	-
1 15/16	PLB6831R	22211LBKC3	LB69313RA	H311031	69244	LB69326R	PLB6831R02	-
2	PLB6832R	22211LBKC3	LB69323R	H311032	69244	LB69326R	PLB6832R02	-
2 3/16	PLB6835R	22213LBKC3	LB69353RA	H313035	69324	LB69366R	PLB6835R02	-
2 7/16	PLB6839R*	22215LBKC3	LB68393RA	H315039	68404	LB68406R	PLB6839R02	-
2 11/16	PLB6843R*	22216LBKC3	LB68433RA	H316043	68444	LB68446R	PLB6843R02	-
2 15/16	PLB6847R*	22217LBKC3	LB68473RA	H317047	68484	LB68486R	PLB6847R02	-
3	PLB6848R*	22217LBKC3	LB68483R	H317048	68484	LB68486R	PLB6848R02	-
3 3/16	PLB6851R*	22218LBKC3	LB68513R	H318051	68524	LB68526R	PLB6851R02	-
3 7/16	PLB6855R*	22220LBKC3	LB68553RA	H320055	68564	LB68566R	PLB6855R02	-
3 1/2	PLB6856R*	22220LBKC3	LB68563R	H320056	68564	LB68566R	PLB6856R02	-
3 11/16	PLB6859FR	22222LBKC3	LB68593R	H322059	68644	LB68646R	-	PLB6859FR02
3 15/16	PLB6863FR	22222LBKC3	LB68633RA	H322063	68644	LB68646R	-	PLB6863FR02
4	PLB6864FR	22222LBKC3	LB68643R	H322064	68644	LB68646R	-	PLB6864FR02
4 3/16	PLB6867FR	22224LBKC3	LB68673R	H3124067	68684	LB68686R	-	PLB6867FR02
4 7/16	PLB6871FR	22226LBKC3	LB68713RA	H3126071	68724	LB68726R	-	PLB6871FR02
4 1/2	PLB6872FR	22226LBKC3	LB68723R	H3126072	68724	LB68726R	-	PLB6872FR02
4 15/16	PLB6879FR	22228LBKC3	LB68793R	H3128079	68804	LB68806R	-	PLB6879FR02
5	PLB6880FR	22228LBKC3	LB68803R	H3128080	68804	LB68806R	-	PLB6880FR02
5 3/16	PLB6883FR	22230LBKC3	LB68833R	H3130083	68844	LB68846R	-	PLB6883FR02
5 7/16	PLB6887FR	22232LBKC3	LB68873R	H3132087	68924	LB68886R	-	PLB6887FR02
5 15/16	PLB6895FR	22234LBKC3	LB68953R	H3134095	68964	LB68966R	-	PLB6895FR02
6	PLB6896FR	22234LBKC3	LB68963R	H3134096	68964	LB68966R	-	PLB6896FR02
6 7/16	PLB68103FR	22236LBKC3	LB681033R	H3136103	681044	LB681046R	-	PLB68103FR02
6 1/2	PLB68104FR	22236LBKC3	LB681043R	H3136104	681044	LB681046R	-	PLB68104FR02
6 15/16	PLB68111FR	22238LBKC3	LB681113R	H3138111	681124	LB681126R	-	PLB68111FR02
7	PLB68112FR	22238LBKC3	LB681123R	H3138112	681124	LB681126R	-	PLB68112FR02
7 3/16	PLB68115FR	22240LBKC3	LB681153R	H3140115	681164	LB681166R	-	PLB68115FR02
7 1/2	PLB68120FR	22244LBKC3	LB681203R	H3144120	681284	LB681286R	-	PLB68120FR02
7 15/16	PLB68127FR	22244LBKC3	LB681273R	H3144127	681284	LB681286R	-	PLB68127FR02
8	PLB68128FR	22244LBKC3	LB681283R	SNW448	681284	LB681286R	-	PLB68128FR02

Continued...

Continued...

Bearing Dimensions

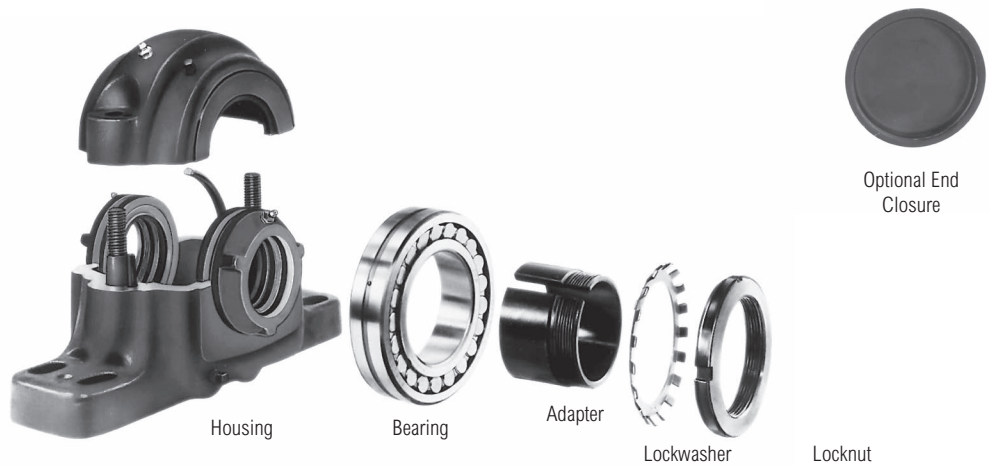
Shaft Diameter	Pillow Block	Spherical Roller Bearing	Labyrinth Seal	Adapter Assembly	C-Spacer Ring	End Closure	2-Bolt Cast Iron Adapter Housing	4-Bolt Cast Iron Adapter Housing
	Part Number	Part Number	Part Number	Part Number	Part Number	Part Number	Part Number	Part Number
8 ⁷ / ₁₆	PLB66135FH	23048LBKC3	LB661353H	SNP30488716	661444	LB661446	-	PLB66135FH02
8 ¹ / ₂	PLB66136FH	23048LBKC3	LB661363H	SNP3048812	661444	LB661446	-	PLB66136FH02
9	PLB66144FH	23048LBKC3	LB661443H	SNP30489	661444	LB661446	-	PLB66144FH02
9 ⁷ / ₁₆	PLB66B151FH	23056LBKC3	LB66B1513H	SNP30569716	661684	LB661686	-	PLB66B151FH02
9 ¹ / ₂	PLB66B152FH	23056LBKC3	LB66B1523H	SNP3056912	661684	LB661686	-	PLB66B152FH02
9 ¹⁵ / ₁₆	PLB66159FH	23056LBKC3	LB661593H	SNP305691516	661684	LB661686	-	PLB66159FH02
10	PLB66160FH	23056LBKC3	LB661603H	SNP305610	661684	LB661686	-	PLB66160FH02
10 ⁷ / ₁₆	PLB66167FH	23056LBKC3	LB661673H	SNP305610716	661684	LB661686	-	PLB66167FH02
10 ¹ / ₂	PLB66168FH	23056LBKC3	LB661683H	SNP30561012	661684	LB661686	-	PLB66168FH02
40.00	PLB68M40R	22209LBKC3	LB69M403R	H309	68244	LB69246R	PLB68M40R02	-
45.00	PLB68M45R	22210LBKC3	LB69M453R	H310	68284	LB69286R	PLB68M45R02	-
50.00	PLB68M50R	22211LBKC3	LB69M503R	H311	69244	LB69326R	PLB68M50R02	-
60.00	PLB68M60R	22213LBKC3	LB69M603R	H313	69324	LB69M606R	PLB68M60R02	-
65.00	PLB68M65R*	22215LBKC3	LB68M653R	H315	68404	LB68M656R	PLB68M65R02	-
70.00	PLB68M70R*	22216LBKC3	LB68M703R	H316	68444	LB68446R	PLB68M70R02	-
75.00	PLB68M75R*	22217LBKC3	LB68M753R	H317	68484	LB68486R	PLB68M75R02	-
80.00	PLB68M80R*	22218LBKC3	LB68M803R	H318	68524	LB68526R	PLB68M80R02	-
90.00	PLB68M90R*	22220LBKC3	LB68M903R	H320	68564	LB68566R	PLB68M90R02	-
100.00	PLB68M100FR	22222LBKC3	LB68633R	H322	68644	LB68646R	-	PLB68M100FR02
110.00	PLB68M110FR	22224LBKC3	LB68M1103R	H3124	68684	LB68686R	-	PLB68M110FR02
115.00	PLB68M115FR	22226LBKC3	LB68M1153R	H3126	68724	LB68726R	-	PLB68M115FR02
125.00	PLB68M125FR	22228LBKC3	LB68M1253R	H3128	68804	LB68806R	-	PLB68M125FR02
135.00	PLB68M135FR	22230LBKC3	LB68M1353R	H3130	68844	LB68846R	-	PLB68M135FR02
140.00	PLB68M140FR	22232LBKC3	LB68M1403R	H3132	68924	LB68886R	-	PLB68M140FR02
150.00	PLB68M150FR	22234LBKC3	LB68M1503R	H3134	68964	LB68966R	-	PLB68M150FR02
160.00	PLB68M160FR	22236LBKC3	LB68M1603R	H3136	681044	LB681046R	-	PLB68M160FR02
170.00	PLB68M170FR	22238LBKC3	LB68M1703R	H3138	681124	LB681126R	-	PLB68M170FR02
180.00	PLB68M180FR	22240LBKC3	LB68M1803R	H3140	681164	LB681166R	-	PLB68M180FR02
200.00	PLB68M200FR	22244LBKC3	LB68M2003R	H3144	681284	LB681286R	-	PLB68M200FR02
220.00	PLB66M220FH	23048LBKC3	LB66M2203H	H3048	661444	LB661446	-	PLB66M220FH02
260.00	PLB66M260FH	23056LBKC3	LB66M2603H	H3056	661684	LB661686	-	PLB66M260FH02

Additional Notes

*2 - bolt base listed. For 4-bolt base add suffix F; i.e. PLB6839FR Pillow Block or PLB6839FR02 housing.

Housing part numbers listed above include seals and C-Spacer ring.

PLB6600D8, PLB6800D8 Spherical Roller Bearing Unit Replacement Parts



Bearing Dimensions

Shaft Diameter	Pillow Block	Spherical Roller Bearing	D8 Seal	Adapter Assembly	C-Spacer	End Closure	2-Bolt Cast Iron Adapter Mounted Housing	4-Bolt Cast Iron Adapter Mounted Housing
	Part Number	Part Number	Part Number	Part Number	Part Number	Part Number	Part Number	Part Number
1 7/16	PLB6823D8	22209LBKC3	LB6923D8	H309023	68244	LB6924D86	PLB6823D802	-
1 1/2	PLB6824D8	22209LBKC3	LB6924D8	H309024	68244	LB6924D86	PLB6824D802	-
1 11/16	PLB6827D8	22210LBKC3	LB6927D8	H310027	68284	LB6928D86	PLB6827D802	-
1 15/16	PLB6831D8	22211LBKC3	LB6931D8	H311031	69244	LB6932D86	PLB6831D802	-
2	PLB6832D8	22211LBKC3	LB6932D8	H311032	69244	LB6932D86	PLB6832D802	-
2 3/16	PLB6835D8	22213LBKC3	LB6935D8	H313035	69324	LB6936D86	PLB6835D802	-
2 7/16	PLB6839D8*	22215LBKC3	LB6839D8	H315039	68404	LB6840D86	PLB6839D802	-
2 11/16	PLB6843D8*	22216LBKC3	LB6843D8	H316043	68444	LB6844D86	PLB6843D802	-
2 15/16	PLB6847D8*	22217LBKC3	LB6847D8	H317047	68484	LB6848D86	PLB6847D802	-
3	PLB6848D8*	22217LBKC3	LB6848D8	H317048	68484	LB6848D86	PLB6848D802	-
3 3/16	PLB6851D8*	22218LBKC3	LB6851D8	H318051	68524	LB6852D86	PLB6851D802	-
3 7/16	PLB6855D8*	22220LBKC3	LB6855D8	H320055	68564	LB6856D86	PLB6855D802	-
3 11/16	PLB6859FD8	22222LBKC3	LB6859D8	H322059	68644	LB6868D86	-	PLB6859FD802
3 15/16	PLB6863FD8	22222LBKC3	LB6863D8	H322063	68644	LB6868D86	-	PLB6863FD802
4 3/16	PLB6867FD8	22224LBKC3	LB6867D8	H3124067	68684	LB6868D86	-	PLB6867FD802
4 7/16	PLB6871FD8	22226LBKC3	LB6871D8	H3126071	68724	LB6880D86	-	PLB6871FD802
4 15/16	PLB6879FD8	22228LBKC3	LB6879D8	H3128079	68804	LB6880D86	-	PLB6879FD802
5 7/16	PLB6887FD8	22232LBKC3	LB6887D8	H3132087	68924	LB6888D86	-	PLB6887FD802
5 15/16	PLB6895FD8	22234LBKC3	LB6895D8	H3134095	68964	LB68104D86	-	PLB6895FD802
6	PLB6896FD8	22234LBKC3	LB6896D8	H3134096	68964	LB68104D86	-	PLB6896FD802
6 7/16	PLB68103FD8	22236LBKC3	LB68103D8	H3136103	681044	LB68104D86	-	PLB68103FD802
6 1/2	PLB68104FD8	22236LBKC3	LB68104D8	H3136104	681044	LB68104D86	-	PLB68104FD802
6 15/16	PLB68111FD8	22238LBKC3	LB68111D8	H3138111	681124	LB68112D86	-	PLB68111FD802
7	PLB68112FD8	22238LBKC3	LB68112D8	H3138112	681124	LB68112D86	-	PLB68112FD802
7 1/2	PLB68120FD8	22244LBKC3	LB68120D8	H3144120	681284	LB68128D86	-	PLB68120FD802
7 15/16	PLB68127FD8	22244LBKC3	LB68127D8	H3144127	681284	LB68128D86	-	PLB68127FD802
8	PLB68128FD8	22244LBKC3	LB68128D8	SNW448	681284	LB68128D86	-	PLB68128FD802
8 7/16	PLB66135FD8	23048LBKC3	LB66135D8	SNP30488716	661444	LB66144D86	-	PLB66135FD802
8 1/2	PLB66136FD8	23048LBKC3	LB66136D8	SNP3048812	661444	LB66144D86	-	PLB66136FD802
9	PLB66144FD8	23048LBKC3	LB66144D8	SNP30489	661444	LB66144D86	-	PLB66144FD802
9 1/2	PLB66B152FD8	23056LBKC3	LB66152D8	SNP3056912	661684	LB66168D86	-	PLB66B152FD802
10 1/2	PLB66168FD8	23056LBKC3	LB66168D8	SNP30561012	661684	LB66168D86	-	PLB66168FD802

Additional Notes

*2 - bolt base listed. For 4-bolt base add suffix F; i.e. PLB6839FD8 Pillow Block or PLB6839FD802 housing.

Housing part numbers listed above include seals and C-Spacer ring.

PLB6900, SAF22600 Spherical Roller Bearing Unit Replacement Parts



Bearing Dimensions

Shaft Diameter	Pillow Block	Spherical Roller Bearing	Multi-Labyrinth Seal Type R	Adapter Assembly	C-Spacer	End Closure	2-Bolt Cast Iron Adapter Mounted Housing	4-Bolt Cast Iron Adapter Mounted Housing
	Part Number	Part Number	Part Number	Part Number	Part Number	Part Number	Part Number	Part Number
1 7/16	PLB6923R	22309LBKC3	LB69233R	H2309023	69244	LB69246R	PLB6923R02	-
1 1/2	PLB6924R	22309LBKC3	LB69243R	SNW109112	69244	LB69246R	PLB6924R02	-
1 11/16	PLB6927R	22310LBKC3	LB69273R	H2310027	69284	LB69286R	PLB6927R02	-
1 15/16	PLB6931R	22311LBKC3	LB69313RA	SNW11111516	69324	LB69326R	PLB6931R02	-
2	PLB6932R	22311LBKC3	LB69323R	H2311032	69324	LB69326R	PLB6932R02	-
2 3/16	PLB6935R*	22313LBKC3	LB69353R	H2313035	68444	LB69366R	PLB6935R02	-
2 7/16	PLB6939R*	22315LBKC3	LB68393RA	H2315039	68524	LB68406R	PLB6839R02	-
2 1/2	PLB6940R*	22315LBKC3	LB68403R	SNW115212	68524	LB68406R	PLB6840R02	-
2 11/16	PLB6943R*	22316LBKC3	LB68433RA	H2316043	69444	LB68446R	PLB6843R02	-
2 15/16	PLB6947R*	22317LBKC3	LB69473K	H2317047	68564	LB68486R	PLB6847R02	-
3 3/16	SAF22618303	22318LBKC3	LB68513R	H2318051	68644	LB68526R	-	SAF61830302
3 7/16	SAF22620307	22320LBKC3	LB68553RA	H2320055	68684	LB68566R	-	SAF62030702
3 1/2	SAF22620308	22320LBKC3	LB68563R	SNW120312	68684	LB68566R	-	SAF62030802
3 15/16	SAF22622315	22322LBKC3	LB68633RA	H2322063	69644	LB68646R	-	SAF62231502
4	SAF22622400	22322LBKC3	LB68643R	SNW1224	69644	LB68646R	-	SAF62240002
4 3/16	SAF22624403	22324LBKC3	LB68673R	SNW1244316	69684	LB68686R	-	SAF62440302
4 7/16	SAF22626407	22326LBKC3	LB68713RA	SNW1264716	69724	LB68726R	-	SAF62640702
4 15/16	SAF22628415	22328LBKC3	LB68793R	SNW12841516	69804	LB68806R	-	SAF62841502
5	SAF22628500	22328LBKC3	LB68803R	SNW1285	69804	LB68806R	-	SAF62850002
5 3/16	SAF22630503	22330LBKC3	LB68833R	SNW1305316	69844	LB68846R	-	SAF63050302
5 7/16	SAF22632507	22332LBKC3	LB68873R	SNW1325716	681124	LB68886R	-	SAF63250702
5 15/16	SAF22634515	22334LBKC3	LB68953R	SNW13451516	69964	LB68966R	-	SAF63451502
8 15/16	PLB22648K81516	22348LBKC3	-	SNP14881516	-	-	-	PLB648K8151602
10 7/16	PLB22656K10716	22356LBKC3	-	H235610716	-	-	-	PLB656K1071602

Additional Notes

*2 - bolt base listed. For 4-bolt base add suffix F; i.e. PLB6939FR Pillow Block or PLB6939FR02 housing.

Housing part numbers listed above include seals and C-Spacer ring.

PLB7600, PLB7800 Spherical Roller Bearing Unit Replacement Parts



Bearing Dimensions

Shaft Diameter	Pillow Block	Spherical Roller Bearing	Labyrinth Seal		C-Spacer	End Closure	2-Bolt Cast Iron Adapter Mounted Housing	4-Bolt Cast Iron Adapter Mounted Housing
			V1	V2				
	Part Number	Part Number	Part Number	Part Number	Part Number	Part Number	Part Number	Part Number
2.9528	PLB7875R*	22215LBC3	L78753R1	LB78753R2	68404	LB68446R	PLB7875R02	-
3.1496	PLB7880R*	22216LBC3	L78803R1	LB68483R	68444	LB68486R	PLB7880R02	-
3.3465	PLB7885R*	22217LBC3	L78853R1	L78853R2	68484	L78856R	PLB7885R02	-
3.5433	PLB7890R*	22218LBC3	LB68663R	L78903R2	68524	LB68526R	PLB7890R02	-
3.9370	PLB78100R*	22220LBC3	LB68723R	L781003R2	68564	L781006R	PLB78100R02	-
4.3307	PLB78110FR	22222LBC3	LB68783R	LB68673R	68644	LB68686R	-	PLB78110FR02
4.7244	PLB78120FR	22224LBC3	LB68853R	LB781203R2	68684	LB68726R	-	PLB78120FR02
5.1181	PLB78130FR	22226LBC3	L781303R1	LB68793R	68724	LB68806R	-	PLB78130FR02
5.5118	PLB78140FR	22228LBC3	L781403R1	LB68853R	68804	LB68846R	-	PLB78140FR02
5.9055	PLB78150FR	22230LBC3	L781503R1	L781503R2	68844	L781506R	-	PLB78150FR02
6.2992	PLB78160FR	22232LBC3	LB681123R	LB781603R2	68924	LB68966R	-	PLB78160FR02
6.6929	PLB78170FR	22234LBC3	L781703R1	LB681033R	68964	LB681046R	-	PLB78170FR02
7.0866	PLB78180FR	22236LBC3	LB681253R	LB681103R	681044	LB681126R	-	PLB78180FR02
7.4803	PLB78190FR	22238LBC3	L781903R1	LB681163R	681124	LB681166R	-	PLB78190FR02
7.8740	PLB78200FR	22240LBC3	L782003R1	L782003R2	681164	L782006R	-	PLB78200FR02
8.6614	PLB78220FR	22244LBC3	L782203R1	L782203R2	681284	L782206R	-	PLB78220FR02
8.6614	PLB22244	22244LBC3	-	-	-	-	-	PLB24402
9.4488	PLB76240FH	23048LBC3	LB661683H	LB762403H2	661444	LB661686	-	PLB76240FH02
9.4488	PLB22248	22248LBC3	-	-	-	-	-	PLB24802
11.0236	PLB76280FH	23056LBC3	LB762803H1	LB762803H2	661684	LB762806	-	PLB76280FH02

Additional Notes

*2 - bolt base listed. For 4-bolt base add suffix F; i.e. PLB7875FR Pillow Block or PLB7875FR02 housing.

Housing part numbers listed above include seals and C-Spacer ring.

PLB7900, SAF22300 Spherical Roller Bearing Unit Replacement Parts



Bearing Dimensions

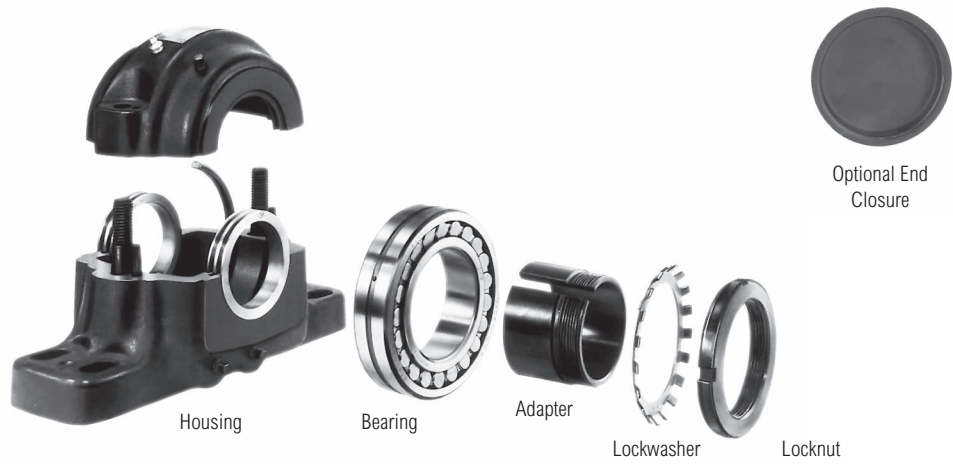
Shaft Diameter	Pillow Block Part Number	Spherical Roller Bearing Part Number	Labyrinth Seal		C-Spacer Part Number	End Closure Part Number	2-Bolt Cast Iron Adapter Mounted Housing Part Number	4-Bolt Cast Iron Adapter Mounted Housing Part Number
			V1	V2				
			Part Number	Part Number				
1.7717	PLB7945R	22309LBC3	LB69343R	LB69273R	69244	LB69286R	PLB7945R02	-
1.9685	PLB7950R	22310LBC3	L79503R1	LB69303R	69284	LB69326R	PLB7950R02	-
2.1654	PLB7955R*	22311LBC3	LB79553R1	LB69333R	69324	LB69366R	PLB7955R02	-
2.5591	PLB7965R*	22313LBC3	LB79653R1	LB68393RA	68444	LB68406R	PLB7965R02	-
2.9528	PLB7975R*	22315LBC3	L78753R1	LB78753R2	68524	LB68446R	PLB7975R02	-
3.1496	PLB7980R*	22316LBC3	L78803R1	LB68483R	69444	LB68486R	PLB7980R02	-
3.3465	PLB7985R*	22317LBC3	L78853R1	L78853R2	68564	L78856R	PLB7985R02	-
3.5433	SAF22318	22318LBC3	LB68663R	L78903R2	69564	LB68526R	-	SAF31802
3.9370	SAF22320	22320LBC3	LB68723R	L781003R2	68684	L781006R	-	SAF32002
4.3307	SAF22322	22322LBC3	LB68783R	LB68673R	69644	LB68686R	-	SAF32202
4.7244	SAF22324	22324LBC3	LB68853R	LB781203R2	69684	LB68726R	-	SAF32402
5.1181	SAF22326	22326LBC3	L781303R1	LB68793R	69724	LB68806R	-	SAF32602
5.5118	SAF22328	22328LBC3	L781403R1	LB68853R	69804	LB68846R	-	SAF32802
5.9055	SAF22330	22330LBC3	L781503R1	L781503R2	69844	L781506R	-	SAF33002
6.2992	SAF22332	22332LBC3	LB681123R	LB781603R2	69884	LB68966R	-	SAF33202
6.6929	SAF22334	22334LBC3	L781703R1	LB681033R	69964	LB681046R	-	SAF33402
9.4488	PLB22348	22348LBC3	-	-	-	-	-	PLB34802
11.0236	PLB22356	22356LBC3	-	-	-	-	-	PLB35602

Additional Notes

*2 - bolt base listed. For 4-bolt base add suffix F; i.e. PLB7955FR Pillow Block or PLB7955FR02 housing.

Housing part numbers listed above include seals and C-Spacer ring.

PLB23000K Spherical Roller Bearing Unit Replacement Parts



Bearing Dimensions

Shaft Diameter	Part Number	Bearing Insert	Adapter Assy	Housing Part Number
7 ¹⁵ / ₁₆	PLB23044K71516	23044LBKC3	H3044127	PLB044K7151602
8	PLB23044K8	23044LBKC3	SNW30448	PLB044K802
8 ¹ / ₂	PLB23048K812	23048LBKC3	SNP3048812	PLB048K81202
8 ¹⁵ / ₁₆	PLB23048K81516	23048LBKC3	SNP30481516	PLB048K8151602
9	PLB23048K9	23048LBKC3	SNP30489	PLB048K902
9 ⁷ / ₁₆	PLB23052K9716	23052LBKC3	SNP30529716	PLB052K971602
9 ¹ / ₂	PLB23052K912	23052LBKC3	SNP30529716	PLB052K91202
9 ¹⁵ / ₁₆	PLB23056K91516	23056LBKC3	SNP305691516	PLB056K9151602
10	PLB23056K10	23056LBKC3	SNP305610	PLB056K1002
10 ⁷ / ₁₆	PLB23056K10716	23056LBKC3	SNP305610716	PLB056K1071602
10 ¹⁵ / ₁₆	PLB23060K101516	23060LBKC3	SNP3060101516	PLB3060K10151602
11	PLB23060K11	23060LBKC3	SNP3060101516	PLB3060K1102
11 ¹⁵ / ₁₆	PLB23064K111516	23064LBKC3	SNP3064111516	PLB3064K11151602
12	PLB23064K12	23064LBKC3	SNP306412	PLB3064K1202
12 ¹ / ₂	PLB23068K1212	23068LBKC3	SNP30681212	PLB3068K121202
12 ¹⁵ / ₁₆	PLB23072K121516	23072LBKC3	SNP3072121516	PLB3072K12151602
13	PLB23072K13	23072LBKC3	SNP307213	PLB3072K1302
13 ¹⁵ / ₁₆	PLB23076K131516	23076LBKC3	SNP3076131516	PLB3076K13151602
14	PLB23076K14	23076LBKC3	SNP307614	PLB3076K1402
15	PLB23080K15	23080LBKC3	SNP308015	PLB3080K1502
15 ³ / ₄	PLB23084K1534	23084LBKC3	SNP30841534	PLB3084K153402
16 ¹ / ₂	PLB23088K1612	23088LBKC3	SNP30881612	PLB3088K161202
17	PLB23092K17	23092LBKC3	SNP309217	PLB3092K1702
18	PLB23096K18	23096LBKC3	SNP309618	PLB3096K1802
19 ¹ / ₂	PLB230530K1912	230530LBKC3	SNP305301912	PLB30530K191202
21	PLB230560K21	230560LBKC3	SNP3056021	PLB30560K2102
22	PLB230600K22	230600LBKC3	SNP3060022	PLB30600K2202
24	PLB230630K24	230630LBKC3	SNP3063024	PLB30630K2402

Additional Notes

Housing part numbers listed above include seals and C-Spacer ring.

PLB23000 Spherical Roller Bearing Unit Replacement Parts



Housing

Bearing

Optional End Closure

Bearing Dimensions

Shaft Diameter	Part Number	Bearing Insert	Housing Part Number
8.6614	PLB23044	23044LBC3	PLB04402
9.4488	PLB23048	23048LBC3	PLB04802
10.2362	PLB23052	23052LBC3	PLB05202
11.0236	PLB23056	23056LBC3	PLB05602
11.8110	PLB23060	23060LBC3	PLB306002
12.5984	PLB23064	23064LBC3	PLB306402
13.3858	PLB23068	23068LBC3	PLB306802
14.1732	PLB23072	23072LBC3	PLB307202
14.9606	PLB23076	23076LBC3	PLB307602
15.7480	PLB23080	23080LBC3	PLB308002
16.5354	PLB23084	23084LBC3	PLB308402
17.3228	PLB23088	23088LBC3	PLB308802
18.1102	PLB23092	23092LBC3	PLB309202
18.8976	PLB23096	23096LBC3	PLB309602
20.8661	PLB230530	230530LBC3	PLB3053002
22.0472	PLB230560	230560LBC3	PLB3056002

Additional Notes

Housing part numbers listed above include seals and C-Spacer ring.

PLB23100K Spherical Roller Bearing Unit Replacement Parts



Bearing Dimensions

Shaft Diameter	Part Number	Bearing Insert	Adapter Assy	Housing Part Number
8	PLB23144K8	23144LBKC3	SNW30448	PLB3144K802
8 ¹⁵ / ₁₆	PLB23148K81516	23148LBKC3	SNP314881516	PLB3148K8151602
9 ⁷ / ₁₆	PLB23152K9716	23152LBKC3	SNP31529716	PLB3152K971602
10 ⁷ / ₁₆	PLB23156K10716	23156LBKC3	SNP315610716	PLB3156K1071602
10 ¹⁵ / ₁₆	PLB23160K101516	23160LBKC3	SNP3160101516	PLB3160K10151602
11 ¹⁵ / ₁₆	PLB23164K111516	23164LBKC3	SNP3164111516	PLB3164K11151602
12 ⁷ / ₁₆	PLB23168K12716	23168LBKC3	SNP316812716	PLB3168K1271602
13 ⁷ / ₁₆	PLB23172K13716	23172LBKC3	SNP317213716	PLB3172K1371602
13 ¹⁵ / ₁₆	PLB23176K131516	23176LBKC3	SNP3176131516	PLB3176K13151602
15	PLB23180K15	23180LBKC3	SNP318015	PLB3180K1502
15 ³ / ₄	PLB23184K1534	23184LBKC3	SNP31841534	PLB3184K153402
16 ¹ / ₂	PLB23188K1612	23188LBKC3	SNP31881612	PLB3188K161202
17	PLB23192K17	23192LBKC3	SNP319217	PLB3192K1702
18	PLB23196K18	23196LBKC3	SNP319618	PLB3196K1802
19 ¹ / ₂	PLB231530K1912	231530LBKC3	SNP315301912	PLB31530K191202
21	PLB231560K21	231560LBKC3	SNP3156021	PLB31560K2102

Additional Notes

Housing part numbers listed above include seals and C-Spacer ring.

PLB23100 Spherical Roller Bearing Unit Replacement Parts



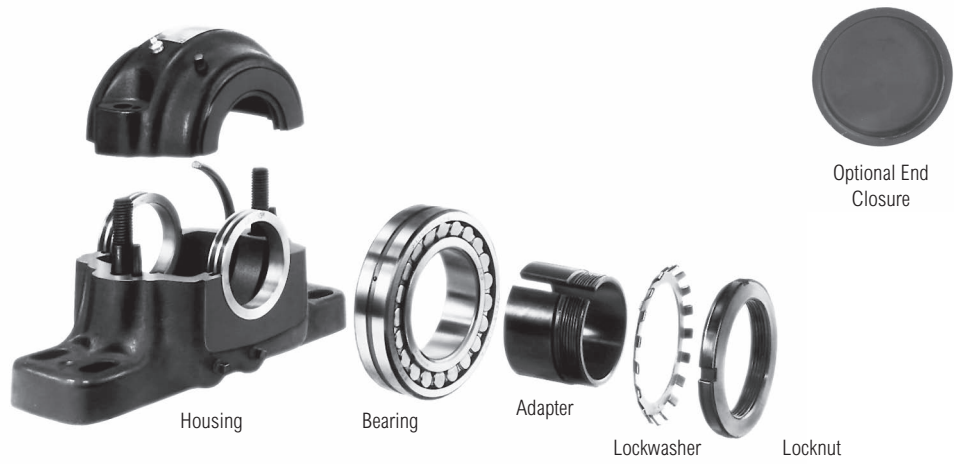
Bearing Dimensions

Shaft Diameter	Part Number	Bearing Insert	Housing Part Number
8.6614	PLB23144	23144LBC3	PLB314402
9.4488	PLB23148	23148LBC3	PLB314802
10.2362	PLB23152	23152LBC3	PLB315202
11.0236	PLB23156	23156LBC3	PLB315602
11.8110	PLB23160	23160LBC3	PLB316002
12.5984	PLB23164	23164LBC3	PLB316402
13.3858	PLB23168	23168LBC3	PLB316802
14.1732	PLB23172	23172LBC3	PLB317202
14.9606	PLB23176	23176LBC3	PLB317602
15.7480	PLB23180	23180LBC3	PLB318002
16.5354	PLB23184	23184LBC3	PLB318402
17.3228	PLB23188	23188LBC3	PLB318802
18.1102	PLB23192	23192LBC3	PLB319202
18.8976	PLB23196	23196LBC3	PLB319602
20.8661	PLB231530	231530LBC3	PLB3153002
22.0472	PLB231560	231560LBC3	PLB3156002

Additional Notes

Housing part numbers listed above include seals and C-Spacer ring.

PLB23200K Spherical Roller Bearing Unit Replacement Parts



Bearing Dimensions

Shaft Diameter	Part Number	Bearing Insert	Adapter Assy	Housing Part Number
8	PLB23244K8	23244LBKC3	SNW1448	PLB3244K802
8 ¹⁵ / ₁₆	PLB23248K81516	23248LBKC3	SNP14881516	PLB3248K8151602
9 ⁷ / ₁₆	PLB23252K9716	23252LBKC3	SNP1529716	PLB3252K971602
10 ⁷ / ₁₆	PLB23256K10716	23256LBKC3	SNP325610716	PLB3256K1071602
10 ¹⁵ / ₁₆	PLB23260K101516	23260LBKC3	SNP3260101516	PLB3260K10151602
11 ¹⁵ / ₁₆	PLB23264K111516	23264LBKC3	SNP3264111516	PLB3264K11151602
12 ⁷ / ₁₆	PLB23268K12716	23268LBKC3	SNP326812716	PLB3268K1271602
13 ⁷ / ₁₆	PLB23272K13716	23272LBKC3	SNP327213716	PLB3272K1371602
13 ¹⁵ / ₁₆	PLB23276K131516	23276LBKC3	SNP3276131516	PLB3276K13151602
15	PLB23280K15	23280LBKC3	SNP328015	PLB3280K1502
15 ³ / ₄	PLB23284K1534	23284LBKC3	SNP32841534	PLB3284K153402
16 ¹ / ₂	PLB23288K1612	23288LBKC3	SNP32881612	PLB3288K161202
17	PLB23292K17	23292LBKC3	SNP329217	PLB3292K1702
18	PLB23296K18	23296LBKC3	SNP329618	PLB3296K1802

Additional Notes

Housing part numbers listed above include seals and C-Spacer ring.

PLB23200 Spherical Roller Bearing Unit Replacement Parts



Bearing Dimensions

Shaft Diameter	Part Number	Bearing Insert	Housing Part Number
8.6614	PLB23244	23244LBC3	PLB324402
9.4488	PLB23248	23248LBC3	PLB324802
10.2362	PLB23252	23252LBC3	PLB325202
11.0236	PLB23256	23256LBC3	PLB325602
11.8110	PLB23260	23260LBC3	PLB326002
12.5984	PLB23264	23264LBC3	PLB326402
13.3858	PLB23268	23268LBC3	PLB326802
14.1732	PLB23272	23272LBC3	PLB327202
14.9606	PLB23276	23276LBC3	PLB327602
15.7480	PLB23280	23280LBC3	PLB328002
16.5354	PLB23284	23284LBC3	PLB328402
17.3228	PLB23288	23288LBC3	PLB328802
18.1102	PLB23292	23292LBC3	PLB329202
18.8976	PLB23296	23296LBC3	PLB329602

Additional Notes

Housing part numbers listed above include seals and C-Spacer ring.

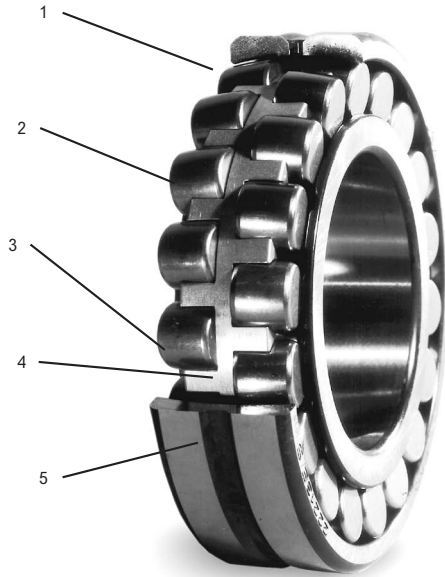


Industries Served

- Mining
- Forest Products
- Aggregates
- Steel
- Air Handling
- Construction
- Package Handling
- Waste Water Treatment

Series 22200, 22300, 23000, 23100, 23200 Spherical Roller Bearings

Self-aligning and self-contained spherical roller bearings provide high capacity for heavy-duty and high-precision applications. They are used extensively on earth-moving equipment, vibrating screens, steel mill and paper mill equipment, embossing rolls, printing presses, and torque converters.



1. Positive Roller Guidance is Provided from Rugged Retainer Design

2. Large High-capacity Rollers for Extended Bearing Life

3. Raceway Curvatures

Controlled raceway curvatures afford precise osculation clearance preventing roller edge loading.

4. Micro-finished Raceways Assure Smooth Operation

5. Maximum Lubrication

Outer ring groove and three symmetrically spaced holes for maximum lubrication access.

22200, 22300, 23000, 23100, 23200, 23900 Nomenclature

Symbol	Description	2 22 16 LB K / W33 / C0					
2	Used to distinguish from other series	_____	_____	_____	_____	_____	_____
22	Bearing dimension series (22, 23, 30, 31, 32, 39)	_____	_____	_____	_____	_____	_____
16	One-fifth of bore diameter (mm)	_____	_____	_____	_____	_____	_____
LB	Designation for Link-Belt spherical roller bearing	_____	_____	_____	_____	_____	_____
None	Cylindrical bore	_____	_____	_____	_____	_____	_____
K	Tapered bore	_____	_____	_____	_____	_____	_____
W33	Lubrication holes and groove in outer ring (standard)	_____	_____	_____	_____	_____	_____
C2	Internal clearance less than C0	_____	_____	_____	_____	_____	_____
C0	Basic internal clearance	_____	_____	_____	_____	_____	_____
C3	Internal clearance greater than C0 (standard)	_____	_____	_____	_____	_____	_____
C4	Internal clearance greater than C3	_____	_____	_____	_____	_____	_____

Link-Belt Spherical Roller Bearing Series 22200, 22300, 23000, 23100, 23200 and 23900 Selection Guide

To select a pillow block, determine the applied radial load, the applied thrust load, the desired Rating Life, the required minimum shaft size, and applicable operating conditions. The procedure shown here will aid in selecting a pillow block to meet an L₁₀ design life. The formulas for calculating life expectancy should be used to determine the Rating Life L₁₀ for the pillow block selected. Spherical roller bearing pillow blocks are available in Series 6600, 6800, 22600, 7600, 7800, and 22300. Because a number of series are available, several different pillow blocks that will fulfill and L₁₀ life requirement can often be chosen.

Some of the factors to consider when choosing between series are: cost, speed limit, minimum shaft diameter, thrust load, space limitations, and type of shaft mounting.

The selection procedures and rating formulas shown here are in agreement with The American Bearing Manufacturers Association Standards and ANSI/ ABMA Standards STD 11-1990. Ratings are based on fatigue life.

The Rating Life L₁₀ or fatigue life at 90% reliability is the usual basis for bearing selection.

For radial load applications only, Table 3 can be used to select a unit or to determine L₁₀ life expectancy.

To assure a satisfactory bearing application, fitting practice, mounting, lubrication, sealing, static rating, housing strength, operating conditions and maintenance must be considered.

Steps for Selection

Step 1

Determine an appropriate L₁₀ design life.

Type of service	Operating time, hours per year	Design life, years	L ₁₀ design life, hours
Heavy seasonal usage	1,400 to 1,600	4-6	8,000
Industrial—8 hour shift	2,000	10	20,000
Industrial—16 hour shift	4,000	10	40,000
Industrial—continuous	8,700	10	80,000 to 100,000
Industrial—High reliability	—	—	120,000 to 300,000

Step 2

Determine a required $\left(\frac{C}{P}\right)$ from Table 1.

Step 3

Calculate the required C and select a roller bearing pillow block.

a For radial load only: $P = F_r$

Required $C = \left(\frac{C}{P}\right) P$ using $\left(\frac{C}{P}\right)$ from Step 2

Select a roller bearing pillow block from Table 2 or Table 4 having a basic load rating C equal to or greater than the required C.

b For combined radial and thrust loads:

Select a roller bearing pillow block of the desired shaft size from Table 2 or Table 4 Calculate the ratio of thrust load F_a to the radial load F_r .

$$\frac{F_a}{F_r}$$

Calculate the equivalent radial load P

$$P = X F_r + Y F_a$$

If $\frac{F_a}{F_r}$ is equal to or less than e, then $P = X_1 F_r + Y_1 F_a$

If $\frac{F_a}{F_r}$ is greater than e, then $P = X_2 F_r + Y_2 F_a$

For values of e, X₁, Y₁, X₂, and Y₂, see Table 2 or Table 4

Required $C = \left(\frac{C}{P}\right) P$ using $\left(\frac{C}{P}\right)$ from Step 2

Consult the bearing rating Table 2 or Table 4, to see if the selected bearing meets or exceeds the required C. The life expectancy of other sizes and series of bearings can be calculated similarly.

Selection

Symbols for formulas:

C = basic load rating, pounds (or newtons)	L ₁₀ = rating life, hours
Co = static load rating, pounds (or newtons)	n = speed, revolutions per minute
e = a reference value	P = equivalent radial load, pounds (or newtons)
Fa = thrust load, pounds (or newtons)	X = radial factor
Fr = radial load, pounds (or newtons)	Y = thrust factor

Table 1 • Relation of L₁₀ life and speed to $\left(\frac{C}{P}\right)$

Bearing Life Hours L ₁₀	Speed, n									
	50	100	200	300	400	500	600	700	800	
3000	1.93	2.38	2.93	3.31	3.61	3.86	4.07	4.27	4.44	
4000	2.11	2.59	3.19	3.61	3.93	4.20	4.44	4.65	4.84	
5000	2.25	2.77	3.42	3.86	4.20	4.50	4.75	4.97	5.18	
6000	2.38	2.93	3.61	4.07	4.44	4.75	5.02	5.25	5.47	
8000	2.59	3.19	3.93	4.44	4.84	5.18	5.47	5.73	5.96	
10000	2.77	3.42	4.20	4.75	5.18	5.54	5.85	6.12	6.37	
12000	2.93	3.61	4.44	5.02	5.47	5.85	6.18	6.47	6.73	
14000	3.07	3.78	4.65	5.25	5.73	6.12	6.47	6.77	7.05	
16000	3.19	3.93	4.84	5.47	5.96	6.37	6.73	7.05	7.34	
18000	3.31	4.07	5.02	5.66	6.18	6.60	6.97	7.30	7.60	
20000	3.42	4.20	5.18	5.85	6.37	6.81	7.20	7.54	7.85	
25000	3.65	4.50	5.54	6.25	6.81	7.29	7.70	8.06	8.39	
30000	3.86	4.75	5.85	6.60	7.20	7.70	8.13	8.51	8.86	
35000	4.04	4.97	6.12	6.92	7.54	8.06	8.51	8.92	9.28	
40000	4.20	5.18	6.37	7.20	7.85	8.39	8.86	9.28	9.66	
45000	4.36	5.36	6.60	7.46	8.13	8.69	9.18	9.61	10.00	
50000	4.50	5.54	6.81	7.70	8.39	8.97	9.48	9.92	10.30	
60000	4.75	5.85	7.20	8.13	8.86	9.48	10.00	10.50	10.90	
70000	4.97	6.12	7.54	8.51	9.28	9.92	10.50	11.00	11.40	
80000	5.18	6.37	7.85	8.86	9.66	10.30	10.90	11.40	11.90	
90000	5.36	6.60	8.13	9.18	10.00	10.70	11.30	11.80	12.30	
100000	5.54	6.81	8.39	9.48	10.30	11.00	11.70	12.20	12.70	
150000	6.25	7.70	9.48	10.70	11.70	12.50	13.20	13.80	14.40	
200000	6.81	8.39	10.30	11.70	12.70	13.60	14.40	15.00	15.70	
	Speed, n									
	900	1000	1200	1500	1800	2400	3000	3600	6000	
3000	4.60	4.75	5.02	5.36	5.66	6.18	6.60	6.97	8.13	
4000	5.02	5.18	5.47	5.85	6.18	6.73	7.20	7.60	8.86	
5000	5.36	5.54	5.85	6.25	6.60	7.20	7.70	8.13	9.48	
6000	5.66	5.85	6.18	6.60	6.97	7.60	8.13	8.59	10.00	
8000	6.18	6.37	6.73	7.20	7.60	8.29	8.86	9.36	10.90	
10000	6.60	6.81	7.20	7.70	8.13	8.86	9.48	10.00	11.70	
12000	6.97	7.20	7.60	8.13	8.59	9.36	10.00	10.60	12.30	
14000	7.30	7.54	7.96	8.51	8.99	9.80	10.50	11.10	12.90	
16000	7.60	7.85	8.29	8.86	9.36	10.20	10.90	11.50	13.40	
18000	7.88	8.13	8.59	9.18	9.70	10.60	11.30	11.90	13.90	
20000	8.13	8.39	8.86	9.48	10.00	10.90	11.70	12.30	14.40	
25000	8.69	8.97	9.48	10.10	10.70	11.70	12.50	13.20	15.40	
30000	9.18	9.48	10.00	10.70	11.30	12.30	13.20	13.90	16.20	
35000	9.61	9.92	10.50	11.20	11.80	12.90	13.80	14.60	17.00	
40000	10.00	10.30	10.90	11.70	12.30	13.40	14.40	15.20	17.70	
45000	10.40	10.70	11.30	12.10	12.80	13.90	14.90	15.70	18.30	
50000	10.70	11.00	11.70	12.50	13.20	14.40	15.40	16.20	18.90	
60000	11.30	11.70	12.30	13.20	13.90	15.20	16.20	17.10	20.00	
70000	11.80	12.20	12.90	13.80	14.60	15.90	17.00	17.90	20.90	
80000	12.30	12.70	13.40	14.40	15.20	16.50	17.70	18.70	21.80	
90000	12.80	13.20	13.90	14.90	15.70	17.10	18.30	19.40	22.60	
100000	13.20	13.60	14.40	15.40	16.20	17.70	18.90	20.00	23.30	
150000	14.90	15.40	16.20	17.30	18.30	20.00	21.40	22.60	26.30	
200000	16.20	16.70	17.70	18.90	20.00	21.80	23.30	24.60	28.70	

Basic Formula

$$\left(\frac{C}{P}\right) = \left(\frac{L_{10} \times n \times 60}{1,000,000}\right)^{3/10}$$

$$L_{10} = \frac{\left(\frac{C}{P}\right)^{10/3} \times 1,000,000}{n \times 60}$$

Life Expectancy

To calculate the Rating Life L₁₀ of any selected or trial bearing:

Step 1

Determine the equivalent radial load P.

a For radial load only:

$$P = Fr$$

b For combined radial and thrust load:

$$P = XFr + YFa$$

if $\frac{Fa}{Fr}$ is equal to or less than e, then

$$P = X1Fr + Y1Fa$$

if $\frac{Fa}{Fr}$ is greater than e, then

$$P = X2Fr + Y2Fa$$

For values of e, X1, Y1, X2, and Y2, consult the appropriate bearing rating Table 2 Table 4.

Step 2

Calculate the ratio of the basic load rating C to the equivalent radial load.

$$\left(\frac{C}{P}\right)$$

Step 3

Approximate the bearing life from Table 1.

Live Adjustment

The Rating Life, L₁₀, may be modified for some applications in accordance with the formula

$$Ln = a1a2a3L_{10}$$

where Ln = Adjusted life for (100-n) % reliability,

a1 = Life adjustment factor for reliability

a2 = Life adjustment factor

for material and processing

a3 = Life adjustment factor for operating conditions.

For most normal applications, all factors will be taken as 1, and the Rating Life used as the selection basis or life estimate. In addition, as long as standard catalog bearings are used, a2 will be normally set equal to one.

The factor a3 covers such things as lubrication, misalignment, and temperature. Some conditions that could yield a3 significantly different than unity include speeds less than 20000 DN or greater than 200000 DN, temperatures below -40°F (-40°C) or above 275°F (135°C). For other possible conditions, as well as additional information on life adjustment factors, consult Rexnord Bearing Division.

Table 2 • Series 22200LB, 22200LBK Load Ratings and Speed Limits

Bearing Number		Co Static Load Rating		C Basic Load Rating		Speed Limit, RPM		e	$\frac{F_a}{F_r} \leq e$		$\frac{F_a}{F_r} > e$	
Cylindrical Bore	Tapered bore	newtons	pounds	newtons	pounds	Grease	Oil		X1	Y1	X2	Y2
22209LB	22209LBK	105000	23600	92500	20800	5300	6200	0.26	1.00	2.6	0.67	3.9
22210LB	22210LBK	113000	25500	97900	22000	5000	5500	0.26	1.00	2.8	0.67	4.2
22211LB	22211LBK	145000	32500	120000	27000	4500	5000	0.23	1.00	2.9	0.67	4.4
22212LB	22212LBK	180000	40500	151000	34000	4000	4500	0.24	1.00	2.8	0.67	4.2
22213LB	22213LBK	207000	46500	169000	38000	3800	4300	0.24	1.00	2.8	0.67	4.2
22214LB	22214LBK	222000	50000	178000	40000	3600	4000	0.23	1.00	2.9	0.67	4.4
22215LB	22215LBK	236000	53000	185000	41500	3400	3700	0.22	1.00	3.1	0.67	4.6
22216LB	22216LBK	260000	58500	207000	46500	3200	3500	0.22	1.00	3.1	0.67	4.7
22217LB	22217LBK	327000	73500	260000	58500	3000	3250	0.22	1.00	3.0	0.67	4.5
22218LB	22218LBK	363000	81500	285000	64000	2600	3000	0.23	1.00	2.9	0.67	4.3
22219LB	22219LBK	400000	90000	316000	71000	2400	2900	0.24	1.00	2.9	0.67	4.3
22220LB	22220LBK	463000	104000	356000	80000	2200	2800	0.24	1.00	2.8	0.67	4.2
22222LB	22222LBK	587000	132000	454000	102000	2000	2500	0.25	1.00	2.7	0.67	4.0
22224LB	22224LBK	725000	163000	534000	120000	1900	2300	0.25	1.00	2.7	0.67	4.0
22226LB	22226LBK	872000	196000	636000	143000	1800	2100	0.26	1.00	2.6	0.67	3.9
22228LB	22228LBK	1010000	228000	738000	166000	1700	1950	0.25	1.00	2.7	0.67	4.0
22230LB	22230LBK	1200000	270000	845000	190000	1600	1850	0.25	1.00	2.7	0.67	4.0
22232LB	22232LBK	1380000	310000	961000	216000	1500	1700	0.26	1.00	2.6	0.67	3.9
22234LB	22234LBK	1530000	345000	1110000	250000	1300	1600	0.26	1.00	2.6	0.67	3.9
22236LB	22236LBK	1620000	365000	1130000	255000	1300	1500	0.25	1.00	2.7	0.67	4.0
22238LB	22238LBK	1850000	415000	1200000	270000	1200	1400	0.28	1.00	2.4	0.67	3.6
22240LB	22240LBK	2000000	450000	1330000	300000	1100	1300	0.29	1.00	2.3	0.67	3.5
22244LB	22244LBK	2450000	550000	1620000	365000	1000	1200	0.29	1.00	2.3	0.67	3.5
22248LB	22248LBK	2890000	650000	1870000	420500	750	950	0.27	1.00	2.5	0.67	3.7

If the load P is greater than .25C, consult Rexnord Bearing Division.

Speed limits are based on the following:

1. Negligible seal torque (e.g., non-contact seals)
2. Proper operating internal clearance.
3. Adequate lubrication and maintenance (special lubricants and/or more frequent relubrication may be required).
4. Normal room temperature environment and no extraneous heat sources, such that bearing operating temperature does not exceed 100°C (212°F).
5. Equivalent radial load not greater than 7% of C.
6. Axial load, if any, not greater than 20% of radial load.

Table 3 • Series 22300LB,22300LBK Load Ratings and Speed Limits

Bearing Number		Co Static Load Rating		C Basic Load Rating		Speed Limit RPM			$\frac{F_a}{F_r} \leq e$		$\frac{F_a}{F_r} > e$	
Cylindrical Bore	Tapered Bore	newtons	pounds	newtons	pounds	Grease	Oil	e	X1	Y1	X2	Y2
22308LB	22308LBK	145000	32500	129000	29000	4500	5600	0.36	1.00	1.9	0.67	2.8
22309LB	22309LBK	178000	40000	158000	35500	3800	4800	0.36	1.00	1.9	0.67	2.8
22310LB	22310LBK	214000	48000	189000	42500	3600	4300	0.36	1.00	1.9	0.67	2.8
22311LB	22311LBK	254000	57000	222000	50000	3200	4000	0.36	1.00	1.9	0.67	2.8
22312LB	22312LBK	302000	68000	260000	58500	3000	3800	0.35	1.00	1.9	0.67	2.8
22313LB	22313LBK	356000	80000	291000	65500	2600	3400	0.34	1.00	2.0	0.67	3.0
22314LB	22314LBK	378000	85000	320000	72000	2400	3200	0.34	1.00	2.0	0.67	3.0
22315LB	22315LBK	436000	98000	369000	83000	2200	3000	0.34	1.00	2.0	0.67	3.0
22316LB	22316LBK	498000	112000	414000	93000	2000	2800	0.34	1.00	2.0	0.67	3.0
22317LB	22317LBK	543000	122000	454000	102000	1900	2600	0.33	1.00	2.0	0.67	3.0
22318LB	22318LBK	623000	140000	507000	114000	1800	2400	0.33	1.00	2.0	0.67	3.0
22319LB	22319LBK	681000	153000	556000	125000	1800	2400	0.33	1.00	2.0	0.67	3.0
22320LB	22320LBK	814000	183000	649000	146000	1700	2200	0.34	1.00	2.0	0.67	3.0
22322LB	22322LBK	1050000	236000	801000	180000	1600	2000	0.33	1.00	2.1	0.67	3.1
22324LB	22324LBK	1160000	260000	907000	204000	1400	1800	0.33	1.00	2.1	0.67	3.1
22326LB	22326LBK	1360000	305000	1050000	236000	1300	1700	0.33	1.00	2.1	0.67	3.1
22328LB	22328LBK	1600000	360000	1220000	275000	1100	1500	0.34	1.00	2.0	0.67	3.0
22330LB	22330LBK	1800000	405000	1380000	310000	1000	1400	0.33	1.00	2.0	0.67	3.0
22332LB	22332LBK	1890000	425000	1450000	325000	950	1300	0.37	1.00	1.8	0.67	2.7
22334LB	22334LBK	2110000	475000	1600000	360000	950	1300	0.37	1.00	1.8	0.67	2.7
22336LB	22336LBK	2360000	530000	1730000	390000	900	1200	0.37	1.00	1.8	0.67	2.7
22338LB	22338LBK	2540000	570000	1850000	415000	850	1100	0.37	1.00	1.8	0.67	2.7
22340LB	22340LBK	2800000	630000	2070000	465000	850	1100	0.36	1.00	1.9	0.67	2.8
22344LB	22344LBK	3340000	750000	2360000	530000	700	900	0.35	1.00	2.0	0.67	2.9
22348LB	22348LBK	3800000	854500	2600000	584500	670	850	0.32	1.00	2.1	0.67	3.2
22356LB	22356LBK	5150000	1157800	3500000	787000	560	710	0.31	1.00	2.1	0.67	3.2

If the load P is greater than .25C, consult Rexnord Bearing Division.

Speed limits are based on the following:

1. Negligible seal torque (e.g., non-contact seals)
2. Proper operating internal clearance.
3. Adequate lubrication and maintenance (special lubricants and/or more frequent relubrication may be required).
4. Normal room temperature environment and no extraneous heat sources, such that bearing operating temperature does not exceed 100°C (212°F).
5. Equivalent radial load not greater than 7% of C.
6. Axial load, if any, not greater than 20% of radial load.

Table 4 – Series 23000LB, 23000LBK Load Ratings and Speed Limits

Bearing Number		Co Static Load Rating		C Basic Dynamic Load Rating		Speed Limit, RPM		Fa/Fr ≤ e			Fa/Fr > e	
Cylindrical Bore	Tapered Bore	newtons	pounds	newtons	pounds	Grease	Oil	e	X1	Y1	X2	Y2
23044LB	23044LBK	1980000	445100	1090000	245000	950	1200	0.24	1.00	2.8	0.67	4.1
23048LB	23048LBK	2180000	490000	1160000	260000	950	1100	0.25	1.00	2.7	0.67	4.1
23052LB	23052LBK	2580000	580000	1430000	321500	800	950	0.25	1.00	2.7	0.67	4.1
23056LB	23056LBK	2980000	670000	1530000	345000	800	950	0.25	1.00	2.7	0.67	4.1
23060LB	23060LBK	3700000	832000	1920000	431600	670	850	0.24	1.00	2.8	0.67	4.2
23064LB	23064LBK	3850000	865500	1960000	440600	630	800	0.24	1.00	2.8	0.67	4.2
23068LB	23068LBK	4400000	989200	2280000	512600	560	710	0.24	1.00	2.8	0.67	4.2
23072LB	23072LBK	4700000	1056600	2390000	537500	530	670	0.24	1.00	2.8	0.67	4.2
23076LB	23076LBK	5100000	1146500	2500000	562000	530	630	0.22	1.00	3.0	0.67	4.5
23080LB	23080LBK	5900000	1326500	2970000	668000	480	600	0.23	1.00	3.0	0.67	4.4
23084LB	23084LBK	5850000	1315200	2910000	654200	450	560	0.23	1.00	2.9	0.67	4.3
23088LB	23088LBK	6350000	1427500	3150000	708200	430	530	0.23	1.00	2.9	0.67	4.3
23092LB	23092LBK	7100000	1596200	3450000	775600	400	500	0.22	1.00	3.1	0.67	4.6
23096LB	23096LBK	7950000	1787200	3800000	854300	400	480	0.22	1.00	3.1	0.67	4.6
230530LB	230530LBK	9200000	2068200	4400000	989200	340	430	0.22	1.00	3.1	0.67	4.6
230560LB	230560LBK	10700000	2405500	5000000	1124000	320	400	0.22	1.00	3.0	0.67	4.5
230600LB	230600LBK	12200000	2743000	5450000	1225200	300	360	0.21	1.00	3.3	0.67	4.8
230630LB	230630LBK	12700000	2855000	5900000	1326400	280	340	0.22	1.00	3.1	0.67	4.7

If the load P is greater than .25C, consult Rexnord Bearing Division.

Speed limits are based on the following:

1. Negligible seal torque (e.g., non-contact seals)
2. Proper operating internal clearance.
3. Adequate lubrication and maintenance (special lubricants and/or more frequent relubrication may be required).
4. Normal room temperature environment and no extraneous heat sources, such that bearing operating temperature does not exceed 100°C (212°F).
5. Equivalent radial load not greater than 7% of C.
6. Axial load, if any, not greater than 20% of radial load.

Table 5 – Series 23100LB, 23100LBK Load Ratings and Speed Limits

Bearing Number		Co Static Load Rating		C Basic Dynamic Load Rating		Speed Limit, RPM		Fa/Fr ≤ e			Fa/Fr > e	
Cylindrical Bore	Tapered Bore	newtons	pounds	newtons	pounds	Grease	Oil	e	X1	Y1	X2	Y2
23144LB	23144LBK	2710000	609200	1570000	353000	710	950	0.30	1.00	2.2	0.67	3.3
23148LB	23148LBK	3100000	697000	1790000	402500	670	850	0.30	1.00	2.2	0.67	3.3
23152LB	23152LBK	3750000	843000	2160000	485500	600	800	0.32	1.00	2.1	0.67	3.2
23156LB	23156LBK	4000000	899300	2230000	501500	560	750	0.30	1.00	2.2	0.67	3.3
23160LB	23160LBK	4800000	1079000	2670000	600500	500	670	0.31	1.00	2.2	0.67	3.3
23164LB	23164LBK	5500000	1236500	3050000	685700	480	600	0.31	1.00	2.1	0.67	3.2
23168LB	23168LBK	6600000	1483800	3600000	809500	430	560	0.31	1.00	2.1	0.67	3.2
23172LB	23172LBK	7100000	1596200	3800000	854500	400	530	0.31	1.00	2.2	0.67	3.2
23176LB	23176LBK	7600000	1708500	4000000	899200	400	500	0.30	1.00	2.2	0.67	3.3
23180LB	23180LBK	7900000	1776000	4150000	933000	380	480	0.29	1.00	2.3	0.67	3.4
23184LB	23184LBK	9400000	2113200	5000000	1124000	340	450	0.31	1.00	2.2	0.67	3.3
23188LB	23188LBK	10300000	2315500	5300000	1191500	320	430	0.30	1.00	2.2	0.67	3.3
23192LB	23192LBK	10900000	2450500	5700000	1281400	300	400	0.31	1.00	2.2	0.67	3.3
23196LB	23196LBK	11700000	2630500	6050000	1360100	300	380	0.31	1.00	2.2	0.67	3.3
231530LB	231530LBK	14100000	3169800	7150000	1607400	260	340	0.30	1.00	2.2	0.67	3.3
231560LB	231560LBK	15500000	3484500	7850000	1764800	240	320	0.30	1.00	2.3	0.67	3.4
231600LB	231600LBK	17500000	3934000	8750000	1967000	220	280	0.30	1.00	2.3	0.67	3.4
231630LB	231630LBK	19400000	4361100	9600000	2158100	200	260	0.30	1.00	2.3	0.67	3.4

If the load P is greater than .25C, consult Rexnord Bearing Division.

Speed limits are based on the following:

1. Negligible seal torque (e.g., non-contact seals)
2. Proper operating internal clearance.
3. Adequate lubrication and maintenance (special lubricants and/or more frequent relubrication may be required).
4. Normal room temperature environment and no extraneous heat sources, such that bearing operating temperature does not exceed 100°C (212°F).
5. Equivalent radial load not greater than 7% of C.
6. Axial load, if any, not greater than 20% of radial load.

Table 6 – Series 23200LB, 23200LBK Load Ratings and Speed Limits

Bearing Number		Co Static Load Rating		C Basic Dynamic Load Rating		Speed Limit, RPM		Fa/Fr ≤ e			Fa/Fr > e	
Cylindrical Bore	Tapered Bore	newtons	pounds	newtons	pounds	Grease	Oil	e	X1	Y1	X2	Y2
23244LB	23244LBK	3400000	764500	2020000	454000	670	900	0.35	1.00	1.9	0.67	2.9
23248LB	23248LBK	4050000	910500	2440000	548500	630	800	0.37	1.00	1.8	0.67	2.7
23252LB	23252LBK	4550000	1022900	2740000	616000	560	750	0.37	1.00	1.8	0.67	2.7
23256LB	23256LBK	4900000	1101600	2880000	647500	530	670	0.35	1.00	1.9	0.67	2.9
23260LB	23260LBK	5900000	1326400	3400000	764500	480	630	0.35	1.00	1.9	0.67	2.9
23264LB	23264LBK	6900000	1551200	3900000	877000	450	600	0.36	1.00	1.9	0.67	2.8
23268LB	23268LBK	7800000	1753500	4400000	989200	400	530	0.36	1.00	1.9	0.67	2.8
23272LB	23272LBK	8550000	1922100	4800000	1079000	380	500	0.36	1.00	1.9	0.67	2.8
23276LB	23276LBK	9200000	2068500	5150000	1157800	360	480	0.35	1.00	1.9	0.67	2.9
23280LB	23280LBK	10400000	2338000	5800000	1303900	340	450	0.36	1.00	1.9	0.67	2.8
23284LB	23284LBK	11700000	2630500	6450000	1450000	320	430	0.35	1.00	1.9	0.67	2.9
23288LB	23288LBK	12800000	2877500	6900000	1551200	300	400	0.35	1.00	1.9	0.67	2.9
23292LB	23292LBK	13700000	3080000	7350000	1652400	280	380	0.36	1.00	1.9	0.67	2.8
23296LB	23296LBK	14400000	3237500	7850000	1764800	260	360	0.36	1.00	1.9	0.67	2.8

If the load P is greater than .25C, consult Rexnord Bearing Division.

Speed limits are based on the following:

1. Negligible seal torque (e.g., non-contact seals)
2. Proper operating internal clearance.
3. Adequate lubrication and maintenance (special lubricants and/or more frequent relubrication may be required).
4. Normal room temperature environment and no extraneous heat sources, such that bearing operating temperature does not exceed 100°C (212°F).
5. Equivalent radial load not greater than 7% of C.
6. Axial load, if any, not greater than 20% of radial load.

Table 7 – Series 23900LB, 23900LBK Load Ratings and Speed Limits

Bearing Number		Co Static Load Rating		C Basic Dynamic Load Rating		Speed Limit, RPM		Fa/Fr ≤ e			Fa/Fr > e	
Cylindrical Bore	Tapered Bore	newtons	pounds	newtons	pounds	Grease	Oil	e	X1	Y1	X2	Y2
23944LB	23944LBK	1240000	279000	625000	140500	1000	1300	0.18	1.00	3.8	0.67	5.7
23948LB	23948LBK	1300000	292500	635000	143000	950	1200	0.17	1.00	4.0	0.67	6.0

If the load P is greater than .25C, consult Rexnord Bearing Division.

Speed limits are based on the following:

1. Negligible seal torque (e.g., non-contact seals)
2. Proper operating internal clearance.
3. Adequate lubrication and maintenance (special lubricants and/or more frequent relubrication may be required).
4. Normal room temperature environment and no extraneous heat sources, such that bearing operating temperature does not exceed 100°C (212°F).
5. Equivalent radial load not greater than 7% of C.
6. Axial load, if any, not greater than 20% of radial load.

Cylindrical Bore Bearings - Radial Clearances

Series 22200, 22300, 23000, 23100, 23200		Radial Internal Clearance, Inches							
		C2		C0		C3 (basic)		C4	
Basic Size	Bore (mm)	Min	Max	Min	Max	Min	Max	Min	Max
08	40	0.0006	0.0012	0.0012	0.0018	0.0018	0.0024	0.0024	0.0032
09	45	0.0008	0.0014	0.0014	0.0022	0.0022	0.0030	0.0030	0.0039
10	50								
11	55	0.0010	0.0017	0.0017	0.0026	0.0026	0.0036	0.0036	0.0047
12	60								
13	65								
14	70	0.0012	0.0020	0.0020	0.0032	0.0032	0.0044	0.0044	0.0057
15	75								
16	80								
17	85								
18	90	0.0014	0.0025	0.0025	0.0039	0.0039	0.0053	0.0053	0.0071
19	95								
20	100								
22	110								
24	120	0.0017	0.0031	0.0031	0.0048	0.0048	0.0064	0.0064	0.0083
26	130								
28	140	0.0020	0.0038	0.0038	0.0057	0.0057	0.0075	0.0075	0.0095
30	150								
32	160	0.0024	0.0043	0.0043	0.0065	0.0065	0.0087	0.0087	0.0110
34	170								
36	180	0.0026	0.0047	0.0047	0.0071	0.0071	0.0095	0.0095	0.0122
38	190								
40	200	0.0028	0.0051	0.0051	0.0079	0.0079	0.0103	0.0103	0.0133
44	220								
48	240	0.0032	0.0055	0.0055	0.0087	0.0087	0.0114	0.0114	0.0149
52	260								
56	280	0.0036	0.0059	0.0059	0.0095	0.0095	0.0126	0.0126	0.0165
60	300								
64	320	0.0039	0.0067	0.0067	0.0103	0.0103	0.0138	0.0138	0.0180
68	340								
72	360	0.0044	0.0075	0.0075	0.0110	0.0110	0.0145	0.0145	0.0197
76	380								
80	400	0.0047	0.0079	0.0079	0.0122	0.0122	0.0161	0.0161	0.0217
84	420								
88	440	0.0051	0.0087	0.0087	0.0134	0.0134	0.0177	0.0177	0.0236
92	460								
96	480	0.0055	0.0094	0.0094	0.0146	0.0146	0.0197	0.0197	0.0260
	530								
	560	0.0055	0.0102	0.0102	0.0161	0.0161	0.0217	0.0217	0.0283
	600								
	630	0.0059	0.0110	0.0110	0.0173	0.0173	0.0236	0.0236	0.0307
		0.0067	0.0122	0.0122	0.0189	0.0189	0.0256	0.0256	0.0335

C2 = Internal clearance less than C0

C0 = Internal clearance

C3 = Internal clearance greater than C0

C4 = Internal clearance greater than C3

Tapered Bore Bearings - Radial Clearances

Series 22200, 22300, 23000, 23100, 23200		Radial Internal Clearance, Inches							
		C2		C0		C3 (basic)		C4	
Basic Size	Bore (mm)	Min	Max	Min	Max	Min	Max	Min	Max
08	40	0.0008	0.0014	0.0014	0.0020	0.0020	0.0026	0.0026	0.0033
09	45	0.0012	0.0018	0.0018	0.0024	0.0024	0.0031	0.0031	0.0039
10	50								
11	55	0.0014	0.0022	0.0022	0.0030	0.0030	0.0037	0.0037	0.0047
12	60								
13	65								
14	70	0.0018	0.0028	0.0028	0.0037	0.0037	0.0047	0.0047	0.0059
15	75								
16	80								
17	85	0.0020	0.0030	0.0030	0.0043	0.0043	0.0055	0.0055	0.0071
18	90								
19	95								
20	100	0.0025	0.0039	0.0039	0.0053	0.0053	0.0067	0.0067	0.0087
22	110								
24	120	0.0030	0.0047	0.0047	0.0063	0.0063	0.0079	0.0079	0.0102
26	130								
28	140	0.0033	0.0051	0.0051	0.0071	0.0071	0.0091	0.0091	0.0118
30	150								
32	160	0.0037	0.0055	0.0055	0.0079	0.0079	0.0102	0.0102	0.0134
34	170								
36	180	0.0041	0.0063	0.0063	0.0087	0.0087	0.0114	0.0114	0.0146
38	190								
40	200	0.0047	0.0071	0.0071	0.0098	0.0098	0.0126	0.0126	0.0161
44	220								
48	240	0.0053	0.0079	0.0079	0.0106	0.0106	0.0138	0.0138	0.0177
52	260								
56	280	0.0059	0.0087	0.0087	0.0118	0.0118	0.0154	0.0154	0.0193
60	300								
64	320	0.0065	0.0094	0.0094	0.0130	0.0130	0.0169	0.0169	0.0213
68	340								
72	360	0.0075	0.0106	0.0106	0.0142	0.0142	0.0185	0.0185	0.0232
76	380								
80	400	0.0083	0.0118	0.0118	0.0157	0.0157	0.0205	0.0205	0.0256
84	420								
88	440	0.0091	0.0130	0.0130	0.0173	0.0173	0.0224	0.0224	0.0283
92	460								
96	480	0.0102	0.0146	0.0146	0.0193	0.0193	0.0248	0.0248	0.0311
	530								
	560	0.0114	0.0161	0.0161	0.0213	0.0213	0.0268	0.0268	0.0343
	600								
	630	0.0126	0.0181	0.0181	0.0236	0.0236	0.0299	0.0299	0.0386

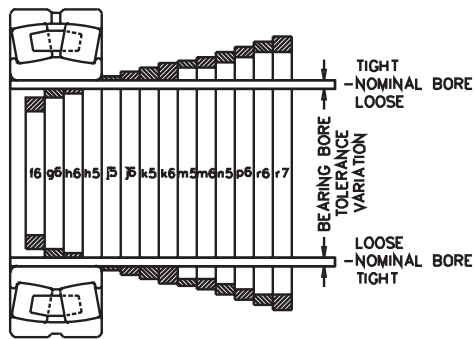
C2 = Internal clearance less than C0

C0 = Internal clearance

C3 = Internal clearance greater than C0

C4 = Internal clearance greater than C3

Shaft Bearing Seat Diameters



Bearing bore tolerances are in accord with the system of tolerancing established by the International Standards Organization (ISO) and adopted by the American Bearing Manufacturers Association (ABMA) and the American National Standards Institute (ANSI).

A system of limits and fits has been established by ISO for shafts. A portion of this system has been adopted by ABMA to provide flexibility in selecting shaft fits. Shaft fits are designated by a lower case letter and a number, such as h6. The letter indicates the location of the shaft tolerance limits with respect to the nominal bearing bore. The number indicates the size of the tolerance zone.

Shaft fits recommended for various types of applications are listed in the table at right. A graphic relationship of various shaft fits is illustrated in the figure at the left.

Many factors influence the proper fit on the bearing inner ring on a shaft. The magnitude of the load and its direction with respect to bearing inner or outer rings are generally the first factors considered in shaft fit selection. The effects of other factors such as vibration, shock, temperature, speed, etc. are of secondary importance but sometimes need to be considered. Where assembly or disassembly requirements are of prime importance special shaft fits may be required.

Appropriate diameter shafting is determined (as shown) from the tables below.

Class of Fit and Shaft Diameters

Bearing Series 22200, 22300, 23000	Nominal bearing bore and shaft diameter		Bearing bore tolerance#	Bearing/Shaft diameter fits*													
				f6		g6		h6		h5		j5					
				Tolerance		Tolerance		Tolerance		Tolerance		Tolerance					
Basic Size	inches	mm	Fit	Shaft Dia.	Fit	Shaft Dia.	Fit	Shaft Dia.	Fit	Shaft Dia.	Fit	Shaft Dia.					
08	1.5748	40.000	+0.0000 -0.0005	.0005L	-0.0010	.0001T	-0.0004	.0005T	0.0000	.0005T	0.0000	.0007T	0.0002				
				.0016L	-0.0016	.0010L	-0.0010	.0006L	-0.0006	.0004L	-0.0004	.0002L	-0.0002				
				13L	-25	3T	-9	12T	+0	18T	6						
10	1.9685	50.000		41L	-41	25L	-25	16L	-16	11L	-11	5L	-5				
11	2.1654	55.000	+0.0000 -0.0006	.0006L	-0.0012	.0002T	-0.0004	.0006T	0.0000	.0006T	0.0000	.0008T	0.0002				
				.0019L	-0.0019	.0011L	-0.0011	.0007L	-0.0007	.0005L	-0.0005	.0003L	-0.0003				
				15L	-30	5T	-10	15T	+0	21T	6						
				49L	-49	29L	-29	19L	-19	13L	-13	7L	-7				
				12	2.3622	60.000		.0006L	-0.0012	.0002T	-0.0004	.0006T	0.0000	.0008T	0.0002		
				13	2.5591	65.000		.0019L	-0.0019	.0011L	-0.0011	.0007L	-0.0007	.0005L	-0.0005	.0003L	-0.0003
14	2.7559	70.000	+0 -15	15L	-30	5T	-10	15T	+0	15T	+0	21T	6				
15	2.9528	75.000		49L	-49	29L	-29	19L	-19	13L	-13	7L	-7				
16	3.1496	80.000															
17	3.3465	85.000	+0.0000 -0.0008	.0006L	-0.0014	.0003T	-0.0005	.0008T	0.0000	.0008T	0.0000	.0010T	0.0002				
				.0023L	-0.0023	.0014L	-0.0014	.0009L	-0.0009	.0006L	-0.0006	.0004L	-0.0004				
				16L	-36	8T	-12	20T	+0	20T	+0	26T	6				
				58L	-58	34L	-34	22L	-22	15L	-15	9L	-9				
				18	3.5433	90.000		.0006L	-0.0014	.0003T	-0.0005	.0008T	0.0000	.0008T	0.0000	.0010T	0.0002
				19	3.7402	95.000		.0023L	-0.0023	.0014L	-0.0014	.0009L	-0.0009	.0006L	-0.0006	.0004L	-0.0004
20	3.9370	100.000	+0 -20	16L	-36	8T	-12	20T	+0	20T	+0	26T	6				
22	4.3307	110.000		58L	-58	34L	-34	22L	-22	15L	-15	9L	-9				
24	4.7244	120.000															
26	5.1181	130.000	+0.0000 -0.0010	.0006L	-0.0016	.0004T	-0.0006	.0010T	0.00000013T	0.0003				
				.0026L	-0.0026	.0016L	-0.0016	.0010L	-0.00100005L	-0.0004				
				18L	-43	11T	-14	25T	+0	32T	7				
				68L	-68	39L	-39	25L	-25	11L	-11				
				28	5.5118	140.000		.0006L	-0.0016	.0004T	-0.0006	.0010T	0.00000013T	0.0003
				30	5.9055	150.000		.0026L	-0.0026	.0016L	-0.0016	.0010L	-0.00100005L	-0.0004
32	6.2992	160.000	+0 -25	18L	-43	11T	-14	25T	+0	32T	7				
34	6.6929	170.000		68L	-68	39L	-39	25L	-25	11L	-11				
36	7.0866	180.000															
38	7.4803	190.000	+0.0000 -0.0012	.0008L	-0.0020	.0006T	-0.0006	.0012T	0.0000				
				.0032L	-0.0032	.0018L	-0.0018	.0012L	-0.0012				
				20L	-50	15T	-15	30T	+0				
				79L	-79	44L	-44	29L	-29				
40	7.8740	200.000		.0008L	-0.0020	.0006T	-0.0006	.0012T	0.0000					
44	8.6614	220.000	+0 -30	.0032L	-0.0032	.0018L	-0.0018	.0012L	-0.0012					
48	9.4488	240.000		20L	-50	15T	-15	30T	+0					
52	10.2362	260.000	+0.0000 -0.0014	79L	-79	44L	-44	29L	-29					
56	11.0236	280.000	+0 -35	.0008L	-0.0022	.0007T	-0.0007	.0014T	0.0000				
				.0034L	-0.0034	.0019L	-0.0019	.0012L	-0.0012				
				21L	-56	18T	-17	35T	+0				
60	11.811	300.000		88L	-88	49L	-49	32L	-32					

1µm = .001 mm

#The arithmetical mean of the largest and smallest single diameter to be within tolerance shown.

Allowable deviations from mean diameter per ANSI/ABMA STD 20, latest printing."

For additional shaft sizes, please consult Rexnord Bearing Engineering for proper fitting practices.

Class of Fit Selection

Operating condition			Examples	Nominal shaft diameter		Class of fit	Remarks
				mm	inches		
Inner ring stationary in relation to direction of load.	All loads	Inner ring has to be easily displaced	Wheel on stationary shaft	All diameters		g6	
		Inner ring does not have to be easily displaced	Tension pulleys and rope sheaves			h6	
Direction of load indeterminate or inner ring rotating in relation to direction of load.	Radial load		Electric apparatus, machine tools, pumps, ventilators, industrial trucks	<=40 40—100 100—200	<=1.57 1.57—3.94 3.94—7.88	j6 k6 m6	When greater accuracy is required, use j5, k5 and m5 for j6, k6, and m6 respectively.
	Light load <=0.08C★						
	Normal load >0.08C★ <=0.18C★		Applications in general, electrical motors, turbines pumps, combustion engines, gear transmissions, wood working machines	<=40 40—65 65—100 100—140 140—280 280—500 >500	<=1.57 1.57—2.56 2.56—3.94 3.94—5.52 5.52—11.10 11.10—19.7 >19.7	k5 m5 m6 n6 p6 r6 r7	
	Heavy load >0.18C★		Journal boxes for locomotives & other heavyrail vehicles, traction motors	<=40 40—65 65—100 100—140 140—200 >200	<=1.57 1.57—2.56 2.56—3.94 3.94—5.52 5.52—7.88 >7.88	m5 m6 n6 p6 r6 r7	

Bearing/Shafts Diameter Fits*

j6		k5		k6		m5		m6		n6		p6		r6	
Tolerance		Tolerance		Tolerance		Tolerance		Tolerance		Tolerance		Tolerance		Tolerance	
Fit	Shaft Dia.	Fit	Shaft Dia.	Fit	Shaft Dia.	Fit	Shaft Dia.	Fit	Shaft Dia.	Fit	Shaft Dia.	Fit	Shaft Dia.	Fit	Shaft Dia.
.0009T	0.0004	.0010T	0.0005	.0012T	0.0007	.0013T	0.0008	.0015T	0.001	.0018T	0.0013
.0002L	-.0002	.0001T	0.0001	.0001T	0.0001	.0004T	0.0004	.0004T	0.0004	.0007T	0.0007
23T	11	25T	13	30T	18	32T	20	37T	25	45T	33
5L	-5	2T	2	2T	2	9T	9	9T	9	17T	17
.0010T	0.0004	.0012T	0.0006	.0014T	0.0008	.0016T	0.001	.0018T	0.0012	.0021T	0.0015	.0027T	0.021	.	.
.0003L	-.0003	.0001T	0.0001	.0001T	0.0001	.0005T	0.0005	.0005T	0.0005	.0008T	0.0008	.0014T	0.0014	.	.
22T	12	30T	15	36T	21	39T	24	45T	30	54T	39	66T	51	.	.
7L	-7	2T	2	2T	2	11T	11	11T	11	20T	20	32T	32	.	.
.0013T	0.0005	.0015T	0.0007	.0018T	0.001	.0019T	0.0011	.0022T	0.0014	.0027T	0.0019	.0033T	0.0025	.0037T	0.0029
.0004L	-.0004	.0001T	0.0001	.0001T	0.0001	.0005T	0.0005	.0005T	0.0005	.0010T	0.001	.0016T	0.0016	.0020T	0.002
33T	13	38T	18	45T	25	48T	28	55T	35	65T	45	79T	59	93T	73
9L	-9	3T	3	3T	3	13T	13	13T	13	23T	23	37T	37	51T	51
.0016T	0.006	.0018T	0.0008	.0021T	0.0011	.0023T	0.0013	.0026T	0.0016	.0032T	0.002	.0038T	0.0028	.0045T	0.0035
.0004L	-.0004	.0001T	0.0001	.0001T	0.0001	.0006T	0.0006	.0006T	0.0006	.0012T	0.0011	.0018T	0.0018	.0025T	0.0025
39T	14	46T	21	53T	28	58T	33	65T	40	77T	52	93T	68	115T	90
11L	-11	3T	3	3T	3	15T	15	15T	15	27T	27	43T	43	65T	65
.0019T	0.0007	.0022T	0.001	.0026T	0.0014	.0026T	0.0014	.0030T	0.0018	.0038T	0.0026	.0044T	0.0032	.0054T	0.0042
.0005L	-.0005	.0002T	0.0002	.0002T	0.0002	.0006T	0.0006	.0006T	0.0006	.0014T	0.0014	.0020T	0.002	.0030T	0.003
46T	16	54T	24	63T	33	67T	37	76T	46	90T	60	109T	79	136T	106
16L	-16	4T	4	4T	4	17T	17	17T	17	31T	31	50T	50	77T	77
.0021T	0.0007	.0025T	0.0011	.0028T	0.0014	.0031T	0.0017	.0034T	0.002	.0040T	0.0026	.0048T	0.0034	.0061T	0.0047
.0006L	-.0006	.0002T	0.0002	.0002T	0.0002	.0008T	0.0008	.0008T	0.0008	.0014T	0.0014	.0022T	0.0022	.0035T	0.0035
51T	16	62T	27	71T	36	78T	43	87T	52	101T	66	123T	88	161T	126
16L	-16	4T	4	4T	4	20T	20	20T	20	34T	34	56T	56	94T	94

* Symbol L indicates a loose or clearance fit; Symbol T indicates a tight or interference fit.

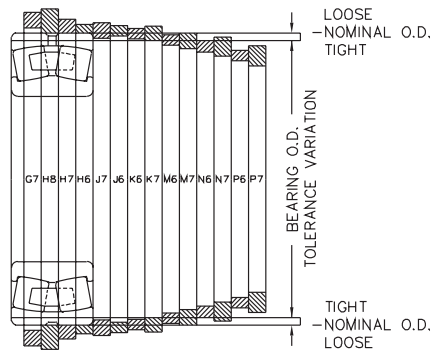
■ For solid steel shafts.

★ = basic load rating of bearing.

The appropriate shaft diameter for any class of fit can be easily determined by applying the shaft tolerance to the nominal shaft diameter. Example: (Using basic bearing size 08 and fit class f6).

		inches			mm	
Nominal shaft diameter	=	1.5748	1.5748	=	40	40
Shaft diameter tolerance	=	-0.001	-0.0016	=	-0.025	-0.041
Resultant shaft diameter	=	1.5738	1.5732	=	39.975	39.959

Housing Bearing Seat Diameters



Bearing outside diameter tolerances are in accord with the system of tolerancing established by the International Standards Organization (ISO) and adopted by the American Bearing Manufacturers Association (ABMA) and the American National Standards Institute (ANSI).

A system of limits and fits has been established by ISO for shafts. A portion of this system has been adopted by ABMA to provide flexibility in selecting shaft fits. Housing fits are designated by a capital letter and a number, such as H7. The letter indicates the location of the housing bore tolerance limits with respect to the nominal bearing O.D. The number indicates the size of the tolerance zone.

Housing fits recommended for various types of applications are listed in the table at right. A graphic relationship of various housing fits is illustrated in the figure at the left.

The class of fit is determined by nature of loading (oscillating, vibrating, reversing, etc.), axial movement requirements, temperature conditions, housing material and cross section of housing.

Shaft expansion increases bearing center distances and requires all but one bearing on a shaft to be movable axially in the housing. In most bearings the outer rings are subjected to stationary loads which permit a loose housing fit.

Operating temperature may affect the housing fit, as the housing may dissipate heat rapidly and not expand with the outer ring. However, the loose fit must never be greater than necessary. Excessive looseness results in less accurate shaft centering and additional ring deformation under load.

The appropriate housing bores are determined (as shown) from the tables below.

Class of Fit and Housing Bores

Bearing Series					Nominal bearing O.D. and housing bore		Bearing bore tolerance #	Bearing/Housing diameter fits ^A									
222, 232	223	230	231	G7				H8		H7		H6		J7			
Basic Size					inches	mm		Tolerance		Tolerance		Tolerance		Tolerance		Tolerance	
								Fit	Housing Bore	Fit	Housing Bore	Fit	Housing Bore	Fit	Housing Bore	Fit	Housing Bore
09	3.3465	85.000	+0.000 -0.006	.0005L	0.0005	.0000	+0.000	.0000	+0.000	.0000	+0.000	.0000	.0005T	-0.0005
10	08	3.5433	90.000		.0025L	0.0019	.0028L	0.0022	.0020L	0.0014	.0015L	0.0009	.0015L	0.0009	0.0009
11	09	3.9370	100.000	+0 -15	12L	12	0	+0	0	+0	0	+0	13T	-13	
12	10	4.3307	110.000		62L	47	69L	54	50L	35	37L	22	37L	22	
13	11	4.7244	120.000												
14	4.9312	125.000	+0.000 -0.008	.0006L	0.0006	.0000	+0.000	.0000	+0.000	.0000	+0.000	.0006T	-0.0006	
15	12	5.1181	130.000		.0030L	0.0022	.0033L	0.0025	.0024L	0.0016	.0018L	0.0010	.0018L	0.0010	
16	13	5.5118	140.000	+0 -20	14L	14	0	+0	0	+0	0	+0	14T	-14	
17	14	5.9055	150.000		74L	54	83L	63	60L	40	45L	25	46L	26	
18	15	6.2992	165.000	+0.000 -0.010	.0006L	0.0006	.0000	+0.000	.0000	+0.000	.0000	+0.000	.0006T	-0.0006	
19	16	6.6929	170.000		.0032L	0.0022	.0035L	0.0025	.0026L	0.0016	.0020L	0.0010	.0020L	0.0010	
20	17	24	22	7.0866	180.000	+0 -25	14L	14	0	+0	0	+0	0	+0	14T	-14	
..	18	7.4803	190.000		79L	54	88L	63	65L	40	50L	25	51L	26	
22	19	26	24	7.8740	200.000	+0.000 -0.012											
..	..	28	26	8.2677	210.000		.0006L	0.0006	.0000	+0.000	.0000	+0.000	.0000	+0.000	.0007T	-0.0007	
24	20	8.4646	215.000		.0036L	0.0024	.0040L	0.0028	.0030L	0.0018	.0024L	0.0012	.0023L	0.0011	
..	..	30	28	8.8583	225.000	+0 -30	15L	15	0	+0	0	+0	0	+0	16T	-16	
26	9.0551	230.000		91L	61	102L	72	76L	46	59L	29	60L	30	
..	22	32	..	9.4488	240.000												
28	30	9.8425	250.000												
..	24	34	..	10.2362	260.000	+0.000 -0.014											
30	32	10.6299	270.000		.0007L	0.0007	.0000	+0.000	.0000	+0.000	.0000	+0.000	.0007T	-0.0007	
..	26	36	34	11.0236	280.000		.0041L	0.0027	.0044L	0.0030	.0034L	0.0020	.0026L	0.0012	.0027L	0.0013	
32	..	38	..	11.4173	290.000	+0 -35	17L	17	0	+0	0	+0	0	+0	16T	-16	
..	28	..	36	11.8110	300.000		104L	69	116L	81	87L	52	67L	32	71L	36	
34	..	40	..	12.2047	310.000												
36	30	..	38	12.5984	320.000	+0.000 -0.016											
38	32	44	40	13.3858	340.000		.0007L	0.0007	.0000	+0.000	.0000	+0.000	.0000	+0.000	.0007L	-0.0007	
40	34	48	..	14.1732	360.000		.0045L	0.0029	.0051L	0.0035	.0038L	0.0022	.0030L	0.0014	.0031L	0.0015	
..	44	14.5669	370.000	+0 -40	18L	18	0	+0	0	+0	0	+0	18T	-18	
..	36	14.9606	380.000		115L	75	129L	89	97L	57	76L	36	79L	39	
44	38	52	48	15.7480	400.000												
..	40	56	..	16.5354	420.000	+0.000 -0.018	.0008L	0.0008	.0000	+0.000	.0000	+0.000	.0000	+0.000	.0009T	-0.0009	
48	17.3228	440.000		.0051L	0.0033	.0056L	0.0038	.0043L	0.0025	.0034L	0.0016	.0034L	0.0016	
..	44	60	..	18.1102	460.000	+0 -45	20L	20	0	+0	0	+0	0	+0	20T	-20	
..		128L	83	142L	97	108L	63	85L	40	88L	43	

The arithmetical mean of the largest and smallest single diameter to be within tolerance shown.

Allowable deviations from mean diameter per ANSI/ABMA STD 20, latest printing."

^A Symbol L indicates a loose or clearance fit. Symbol T indicates a tight or interference fit.

The appropriate housing bore for any class of fit can be easily determined by applying the housing tolerance to the nominal housing bore.

Example: (Using basic bearing size 09 and fit class G7).

For larger bearing sizes please consult Rexnord Bearing Engineering for proper housing fit practices.

			inches			mm
Nominal housing bore	=	3.3465	3.3465	=	85.000	85.000
Shaft bore tolerance	=	+ .0005	+ .0019	=	+ 0.012	+ 0.047
Resultant housing bore	=	3.3470	3.3484	=	85.012	85.047

Class of Fit Selection

Housing Construction	Operating Condition		Examples	Class of Fit	Remarks	
Housing not split radially	Housing rotating in relation to direction of load	Heavy loads on bearings in thin-walled housing	Supporting wheels in cranes, wheel hubs with roller bearings, crank bearings	P6*	Outer ring not axially displaceable	
		Normal and heavy loads	Wheel hubs with roller bearings, crank bearings	N6*		
		Light loads	Conveyor rollers, rope sheaves, tension pulleys	M6*		
Housing split or housing not split radially	Direction of load indeterminate	Heavy shock loads	Electrical fraction motors	K6*	Outer ring, as a rule, not axially displaceable	
		Heavy and normal loads where outer ring does not have to be axially displaceable	Electrical motors, pumps, crankshaft main bearings			
	Housing stationary in relation to direction of load	Normal and light loads where displaceability of outer ring is desirable		Journal boxes for rail vehicles	J6*	Outer ring as a rule, axially displaceable
		Shock loads, a temporary complete unloading				
		All loads	Housing not split radially	Bearing applications in general, journal boxes for rail vehicles	H6*	
			Housing split radially	Line shafting	H7	
Heat supplied through shaft	Dryer cylinders	G7				

Bearing/Housing Diameter Fits ^A

J6		K6		K7		M6		M7		N6		N7		P7	
Tolerance		Tolerance		Tolerance		Tolerance		Tolerance		Tolerance		Tolerance		Tolerance	
Fit	Housing Bore	Fit	Housing Bore	Fit	Housing Bore	Fit	Housing Bore	Fit	Housing Bore	Fit	Housing Bore	Fit	Housing Bore	Fit	Housing Bore
.002T	-.002	.007T	-.007	.010T	-.010	.012T	-.012	.014T	-.014	.016T	-.016	.018T	-.018	.025T	-.025
.013L	0.007	.008L	0.002	.010L	0.004	.003L	-.003	.006L	0	.001T	-.007	.002L	-.004	.005T	-.011
6T	-6	18T	-18	25T	-25	28T	-28	35T	-35	38T	-38	45T	-45	59T	-59
31L	16	19L	4	25L	10	9L	-6	15L	0	1T	-16	5L	-10	9T	-24
.003T	0.003	.008T	-.008	.011T	-.011	.013T	-.013	.016T	-.016	.019T	-.019	.022T	-.022	.028T	-.028
.015L	0.007	.010L	0.002	.013L	0.005	.005L	-.003	.008L	0	.001T	-.009	.002L	-.006	.004T	-.012
7T	-7	21T	-21	28T	-28	33T	-33	40T	-40	45T	-45	52T	-52	68T	-68
38L	18	24L	4	32L	12	12L	-8	20L	0	0T	-20	8L	-12	8T	-28
.003T	-.003	.008T	-.008	.011T	-.011	.013T	-.013	.016T	-.016	.019T	-.019	.022T	-.022	.028T	-.028
.017L	0.007	.012L	0.002	.015L	0.005	.007L	-.003	.010L	0	.001L	-.009	.004L	-.006	.002T	-.012
7T	-7	21T	-21	28T	-28	33T	-33	40T	-40	45T	-45	52T	-52	68T	-68
43L	18	29L	4	37L	12	17L	-8	25L	0	5L	-20	13L	-12	3T	-28
.003T	-.003	.010T	-.010	.013T	-.013	.015T	-.015	.018T	-.018	.022T	-.022	.026T	-.026	.032T	-.032
.021L	0.009	.014L	0.002	.017L	0.005	.009L	-.003	.012L	0	.002L	-.010	.004L	-.008	.002T	-.014
7T	-7	24T	-24	33T	-33	37T	-37	46T	-46	51T	-51	60T	-60	79T	-79
52L	22	35L	5	43L	13	22L	-8	30L	0	8L	-22	16L	-14	3T	-33
.003T	-.003	.010T	-.010	.014T	-.014	.016T	-.016	.020T	-.020	.023T	-.023	.028T	-.028	.034T	-.034
.023L	0.009	.016L	0.002	.020L	0.006	.010L	-.004	.014L	0	.003L	-.011	.006L	-.008	0	-.014
7T	-7	22T	-27	36T	-36	41T	-41	52T	-52	57T	-57	66T	-66	88T	-88
60L	25	40L	5	51L	16	26L	-9	35L	0	10L	-25	21L	-14	1T	-36
.003T	-.003	.012T	-.012	.016T	-.016	.018T	-.018	.022T	-.022	.026T	-.026	.030T	-.030	.039T	-.039
.027L	0.011	.018L	0.002	.022L	0.006	.012L	-.004	.016L	0	.004L	-.012	.008L	-.008	.001T	-.017
7T	-7	29T	-29	40T	-40	46T	-46	57T	-57	62T	-62	73T	-73	98T	-98
69L	29	47L	7	57L	17	30L	-10	40L	0	14L	-26	26L	-16	1T	-41
.003T	-.003	.012T	-.012	.018T	-.018	.020T	-.020	.025T	-.025	.028T	-.028	.034T	-.034	.044T	-.044
.031L	0.013	.022L	0.004	.025L	0.007	.014L	-.004	.018L	0	.006L	-.012	.009L	-.009	.001T	-.019
7T	-7	32T	-32	45T	-45	50T	-50	63T	-63	67T	-67	80T	-80	108T	-108
78L	33	53L	8	63L	18	35L	-10	45L	0	18L	-27	28L	-17	0	-45

■ For cast iron or steel housings. For housings of light metal, select tolerances which give slightly tighter fits than those shown.

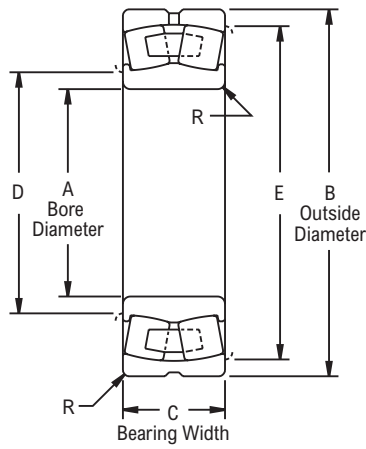
* Where wider tolerances are permissible P7, N7, M7, K7, J7 and H7 may be used for P6, N6, M6, K6, J6 and H6 respectively.

22200LB, 22200LBK

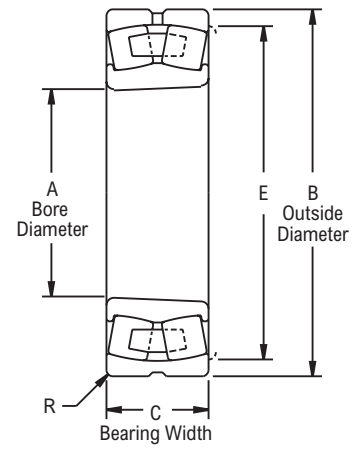


Photo Shows an Unmounted Spherical Roller Bearing Unit

- Cylindrical or Tapered bore
- Roller riding retainers
- Self-aligning
- High Capacity
- See Features & Benefits for additional info.



Cylindrical Bore



Tapered Bore

Bearing Dimensions

Cylindrical Part Number	Tapered Part Number	A Bore Diameter	B Outside Diameter	C Bearing Width	D	E	R	Approx. Weight
22209LBC3	22209LBK3	1.7717	3.3465	0.9055	2.10	3.00	0.039	1.30
		45.00	85.00	23.00	53	76	1.00	
22210LBC3	22210LBK3	1.9685	3.5433	0.9055	2.30	3.20	0.039	1.40
		50.00	90.00	23.00	58	81	1.00	
22211LBC3	22211LBK3	2.1654	3.9370	0.9843	2.60	3.60	0.059	1.90
		55.00	100.00	25.00	66	91	1.50	
22212LBC3	22212LBK3	2.3622	4.3307	1.1024	2.80	4.00	0.059	2.60
		60.00	110.00	28.00	71	102	1.50	
22213LBC3	22213LBK3	2.5591	4.7244	1.2205	2.90	4.40	0.059	3.40
		65.00	120.00	31.00	74	112	1.50	
22214LBC3	22214LBK3	2.7559	4.9213	1.2205	3.10	4.60	0.059	3.70
		70.00	125.00	31.00	79	117	1.50	
22215LBC3	22215LBK3	2.9528	5.1181	1.2205	3.30	4.80	0.059	3.90
		75.00	130.00	33.00	84	122	1.50	
22216LBC3	22216LBK3	3.1496	5.5118	1.2992	3.50	5.10	0.079	4.90
		80.00	140.00	36.00	89	130	2.00	
22217LBC3	22217LBK3	3.3465	5.9055	1.4173	3.70	5.50	0.079	6.10
		85.00	150.00	40.00	94	140	2.00	
22218LBC3	22218LBK3	3.5433	6.2992	1.5748	3.90	5.90	0.079	7.60
		90.00	160.00	43.00	99	150	2.00	
22219LBC3	22219LBK3	3.7402	6.6929	1.6929	4.20	6.20	0.079	9.50
		95.00	170.00	46.00	107	157	2.00	
22220LBC3	22220LBK3	3.9370	7.0866	1.8110	4.40	6.60	0.079	11.40
		100.00	180.00	53.00	112	168	2.00	
22222LBC3	22222LBK3	4.3307	7.8740	2.0866	4.80	7.40	0.079	16.60
		110.00	200.00	58.00	122	188	2.00	
22224LBC3	22224LBK3	4.7244	8.4646	2.2835	5.20	8.00	0.079	20.20
		120.00	215.00	64.00	132	203	2.00	
22226LBC3	22226LBK3	5.1181	9.0551	2.5197	5.70	8.50	0.098	25.10
		130.00	230.00	64.00	145	216	2.50	
22228LBC3	22228LBK3	5.5118	9.8425	2.6772	6.10	9.30	0.098	32.40
		140.00	250.00	68.00	155	236	2.50	

Continued...

Continued...

Bearing Dimensions

Cylindrical	Tapered	A Bore Diameter	B Outside Diameter	C Bearing Width	D	E	R	Approx. Weight
Part Number	Part Number							
22230LBC3	22230LBC3	5.9055	10.6299	2.8740	6.50	10.10	0.098	40.90
		150.00	270.00	73.00	165	257	2.50	
22232LBC3	22232LBC3	6.2992	11.4173	3.1496	6.90	10.90	0.098	52.00
		160.00	290.00	80.00	175	277	2.50	
22234LBC3	22234LBC3	6.6929	12.2047	3.3858	7.40	11.50	0.118	64.60
		170.00	310.00	86.00	188	292	3.00	
22236LBC3	22236LBC3	7.0866	12.5984	3.3858	7.80	11.90	0.118	67.40
		180.00	320.00	86.00	198	302	3.00	
22238LBC3	22238LBC3	7.4803	13.3858	3.6220	8.20	12.70	0.118	81.90
		190.00	340.00	92.00	208	323	3.00	
22240LBC3	22240LBC3	7.8740	14.1732	3.8583	8.60	13.50	0.118	95.00
		200.00	360.00	98.00	218	343	3.00	
22244LBC3	22244LBC3	8.6614	15.7480	4.2520	9.40	15.10	0.118	133.00
		220.00	400.00	108.00	239	384	3.00	
22248LBC3	22248LBC3	9.4488	17.3228	4.7244	10.60	16.30	0.157	175.70
		240.00	440.00	120.00	269	414	4.00	

Additional Notes

Please call 1-866-REXNORD for availability

Tapered bore, 1:12 on diameter

Dimension "R" is the largest fillet radius that will clear bearing corners

For the Selection Guide, Load Ratings and Speed Limits, see the Link-Belt Spherical Roller Bearings Engineering section

For shaft bearing seat diameters, see Link-Belt Split Spherical Bearings Shaft & Housing Seat Diameters section

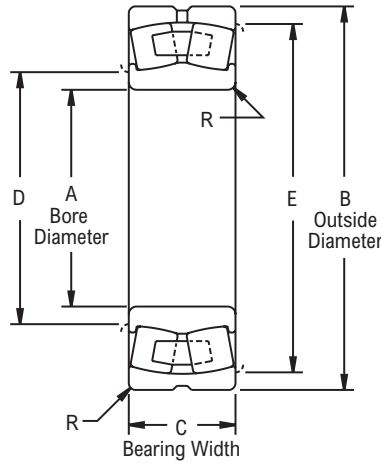
Note: Dimensions subject to change. Certified dimensions of ordered material furnished on request.

22300LB, 22300LBK

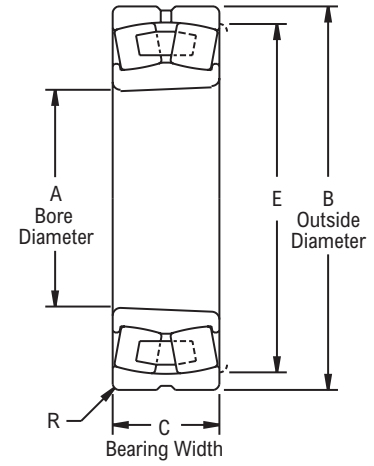


Photo Shows an Unmounted Spherical Roller Bearing Unit

- Cylindrical or Tapered bore
- Roller riding retainers
- Self-aligning
- Extra high capacity
- See Features & Benefits for additional info.



Cylindrical Bore



Tapered Bore

Bearing Dimensions

Cylindrical	Tapered	A Bore Diameter	B Outside Diameter	C Bearing Width	D	E	R	Approx. Weight
Part Number	Part Number							
22308LBC3	22308LBKC3	1.5748 <i>40.00</i>	3.5433 <i>90.00</i>	1.2992 <i>33.00</i>	1.90 <i>48</i>	3.20 <i>81</i>	0.059 <i>1.50</i>	2.80
22309LBC3	22309LBKC3	1.7717 <i>45.00</i>	3.9370 <i>100.00</i>	1.4173 <i>36.00</i>	2.20 <i>56</i>	3.60 <i>91</i>	0.059 <i>1.50</i>	3.10
22310LBC3	22310LBKC3	1.9685 <i>50.00</i>	4.3307 <i>110.00</i>	1.5748 <i>40.00</i>	2.40 <i>61</i>	3.90 <i>99</i>	0.079 <i>2.00</i>	4.00
22311LBC3	22311LBKC3	2.1654 <i>55.00</i>	4.7244 <i>120.00</i>	1.6929 <i>43.00</i>	2.60 <i>66</i>	4.30 <i>109</i>	0.079 <i>2.00</i>	5.20
22312LBC3	22312LBKC3	2.3622 <i>60.00</i>	5.1181 <i>130.00</i>	1.8110 <i>46.00</i>	2.90 <i>74</i>	4.60 <i>117</i>	0.079 <i>2.00</i>	6.60
22313LBC3	22313LBKC3	2.5591 <i>65.00</i>	5.5118 <i>140.00</i>	1.8898 <i>48.00</i>	3.10 <i>79</i>	5.00 <i>127</i>	0.079 <i>2.00</i>	7.90
22314LBC3	22314LBKC3	2.7559 <i>70.00</i>	5.9055 <i>150.00</i>	2.0079 <i>51.00</i>	3.30 <i>84</i>	5.40 <i>137</i>	0.079 <i>2.00</i>	9.80
22315LBC3	22315LBKC3	2.9528 <i>75.00</i>	6.2992 <i>160.00</i>	2.1654 <i>55.00</i>	3.50 <i>89</i>	5.80 <i>147</i>	0.079 <i>2.00</i>	11.90
22316LBC3	22316LBKC3	3.1496 <i>80.00</i>	6.6929 <i>170.00</i>	2.2835 <i>58.00</i>	3.70 <i>94</i>	6.20 <i>157</i>	0.079 <i>2.00</i>	14.10
22317LBC3	22317LBKC3	3.3465 <i>85.00</i>	7.0866 <i>180.00</i>	2.3622 <i>60.00</i>	3.90 <i>99</i>	6.50 <i>165</i>	0.098 <i>2.50</i>	16.30
22318LBC3	22318LBKC3	3.5433 <i>90.00</i>	7.4803 <i>190.00</i>	2.5197 <i>64.00</i>	4.10 <i>104</i>	6.90 <i>175</i>	0.098 <i>2.50</i>	19.50
22319LBC3	22319LBKC3	3.7402 <i>95.00</i>	7.8740 <i>200.00</i>	2.6378 <i>67.00</i>	4.30 <i>114</i>	7.30 <i>185</i>	0.098 <i>2.50</i>	22.60
22320LBC3	22320LBKC3	3.9370 <i>100.00</i>	8.4646 <i>215.00</i>	2.8740 <i>73.00</i>	4.50 <i>124</i>	7.90 <i>201</i>	0.098 <i>2.50</i>	28.90
22322LBC3	22322LBKC3	4.3307 <i>110.00</i>	9.4488 <i>240.00</i>	3.1496 <i>80.00</i>	4.90 <i>135</i>	8.90 <i>226</i>	0.098 <i>2.50</i>	40.00
22324LBC3	22324LBKC3	4.7244 <i>120.00</i>	10.2362 <i>260.00</i>	3.3858 <i>86.00</i>	5.30 <i>150</i>	9.70 <i>246</i>	0.098 <i>2.50</i>	49.00
22326LBC3	22326LBKC3	5.1181 <i>130.00</i>	11.0236 <i>280.00</i>	3.6614 <i>93.00</i>	5.90 <i>150</i>	10.30 <i>262</i>	0.118 <i>3.00</i>	62.50
22328LBC3	22328LBKC3	5.5118 <i>140.00</i>	11.8110 <i>300.00</i>	4.0157 <i>102.00</i>	6.30 <i>160</i>	11.10 <i>282</i>	0.118 <i>3.00</i>	78.20

Continued...

Continued...

Bearing Dimensions

Cylindrical	Tapered	A Bore Diameter	B Outside Diameter	C Bearing Width	D	E	R	Approx. Weight
Part Number	Part Number							
22330LBC3	22330LBKC3	5.9055	12.5984	4.2520	6.60	11.90	0.118	92.00
		150.00	320.00	108.00	168	302	3.00	
22332LBC3	22332LBKC3	6.2992	13.3858	4.4882	7.10	12.70	0.118	110.00
		160.00	340.00	114.00	180	323	3.00	
22334LBC3	22334LBKC3	6.6929	14.1732	4.7244	7.40	13.50	0.118	129.00
		170.00	360.00	120.00	188	343	3.00	
22336LBC3	22336LBKC3	7.0866	14.9606	4.9606	7.80	14.30	0.118	153.00
		180.00	380.00	126.00	198	363	3.00	
22338LBC3	22338LBKC3	7.4803	15.7480	5.1968	8.40	14.90	0.157	176.00
		190.00	400.00	132.00	213	378	4.00	
22340LBC3	22340LBKC3	7.8740	16.5354	5.4331	8.80	15.70	0.157	200.00
		200.00	420.00	138.00	224	399	4.00	
22344LBC3	22344LBKC3	8.6614	18.1102	5.7087	9.60	17.30	0.157	287.00
		220.00	460.00	145.00	244	439	4.00	
22348LBC3	22348LBKC3	9.4488	19.6850	6.1024	10.70	18.40	0.197	321.90
		240.00	500.00	155.00	272	467	5.00	
22356LBC3	22356LBKC3	11.0236	22.8346	6.8898	12.60	21.30	0.236	482.80
		280.00	580.00	175.00	320	541	6.00	

Additional Notes

Please call 1-866-REXNORD for availability

Tapered bore, 1:12 on diameter

Dimension "R" is the largest fillet radius that will clear bearing corners

For the Selection Guide, Load Ratings and Speed Limits, see the Link-Belt Split Spherical Roller Bearings Engineering section

For shaft bearing seat diameters, see Link-Belt Split Spherical Bearings Shaft & Housing Seat Diameters section

Note: Dimensions subject to change. Certified dimensions of ordered material furnished on request.

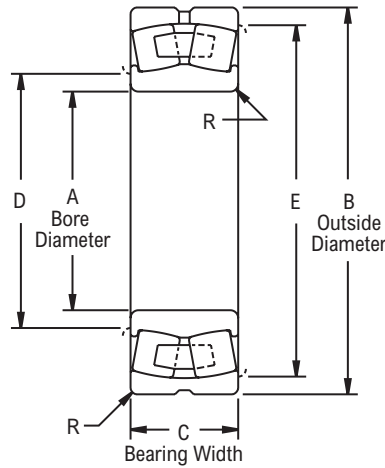
23000LB, 23000LBK



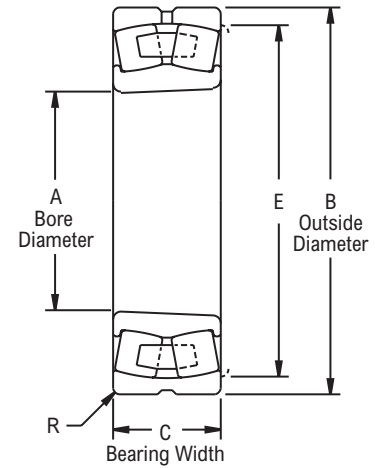
Photo Shows an Unmounted Spherical Roller Bearing Unit

Product Features

- Cylindrical or Tapered bore
- Roller riding retainers
- Self-aligning
- Extra high capacity
- See Features & Benefits for additional info.



Cylindrical Bore



Tapered Bore

Bearing Dimensions

Cylindrical Part Number	Tapered Part Number	A Bore Diameter	B Outside Diameter	C Bearing Width	D	E	R	Approx. Weight
23044LBC3	23044LBK3	8.6614 <i>220.00</i>	13.3858 <i>340.00</i>	3.5433 <i>90.00</i>	9.60 <i>244</i>	12.60 <i>320</i>	0.118 <i>3.00</i>	64.80
23048LBC3	23048LBK3	9.4488 <i>240.00</i>	14.1732 <i>360.00</i>	3.6220 <i>92.00</i>	10.00 <i>254</i>	13.60 <i>345</i>	0.098 <i>2.50</i>	74.60
23052LBC3	23052LBK3	10.2362 <i>260.00</i>	15.7480 <i>400.00</i>	4.0945 <i>104.00</i>	11.40 <i>290</i>	14.70 <i>373</i>	0.157 <i>4.00</i>	101.90
23056LBC3	23056LBK3	11.0236 <i>280.00</i>	16.5354 <i>420.00</i>	4.1732 <i>106.00</i>	11.80 <i>300</i>	15.80 <i>401</i>	0.118 <i>3.00</i>	117.60
23060LBC3	23060LBK3	11.8110 <i>300.00</i>	18.1102 <i>460.00</i>	4.6457 <i>118.00</i>	13.00 <i>330</i>	17.00 <i>432</i>	0.118 <i>3.00</i>	163.30
23064LBC3	23064LBK3	12.5984 <i>320.00</i>	18.8976 <i>480.00</i>	4.7638 <i>121.00</i>	13.90 <i>353</i>	16.40 <i>417</i>	0.157 <i>4.00</i>	165.10
23068LBC3	23068LBK3	13.3858 <i>340.00</i>	20.4724 <i>520.00</i>	5.2362 <i>133.00</i>	14.80 <i>376</i>	19.20 <i>488</i>	0.197 <i>5.00</i>	220.50
23072LBC3	23072LBK3	14.1732 <i>360.00</i>	21.2598 <i>540.00</i>	5.2756 <i>134.00</i>	15.70 <i>399</i>	20.00 <i>508</i>	0.197 <i>5.00</i>	231.50
23076LBC3	23076LBK3	14.9606 <i>380.00</i>	22.0472 <i>560.00</i>	5.3150 <i>135.00</i>	16.50 <i>419</i>	20.80 <i>528</i>	0.197 <i>5.00</i>	246.90
23080LBC3	23080LBK3	15.7480 <i>400.00</i>	23.6220 <i>600.00</i>	5.8268 <i>148.00</i>	17.30 <i>439</i>	22.30 <i>566</i>	0.197 <i>5.00</i>	319.70
23084LBC3	23084LBK3	16.5354 <i>420.00</i>	24.4094 <i>620.00</i>	5.9055 <i>150.00</i>	18.10 <i>460</i>	23.10 <i>587</i>	0.197 <i>5.00</i>	330.70
23088LBC3	23088LBK3	17.3228 <i>440.00</i>	25.5906 <i>650.00</i>	6.1811 <i>157.00</i>	19.20 <i>488</i>	24.00 <i>610</i>	0.236 <i>6.00</i>	378.40
23092LBC3	23092LBK3	18.1102 <i>460.00</i>	26.7717 <i>680.00</i>	6.4173 <i>163.00</i>	20.00 <i>508</i>	25.10 <i>638</i>	0.236 <i>6.00</i>	438.70
23096LBC3	23096LBK3	18.8976 <i>480.00</i>	27.5591 <i>700.00</i>	6.4961 <i>165.00</i>	20.80 <i>528</i>	25.90 <i>658</i>	0.236 <i>6.00</i>	463.00
230530LBC3	230530LBK3	20.8661 <i>530.00</i>	30.7087 <i>780.00</i>	7.2835 <i>185.00</i>	22.90 <i>582</i>	29.00 <i>737</i>	0.236 <i>6.00</i>	651.20
230560LBC3	230560LBK3	22.0472 <i>560.00</i>	32.2835 <i>820.00</i>	7.6772 <i>195.00</i>	24.10 <i>612</i>	30.60 <i>777</i>	0.236 <i>6.00</i>	756.80
230600LBC3	230600LBK3	23.6220 <i>600.00</i>	34.2520 <i>870.00</i>	7.8740 <i>200.00</i>	25.80 <i>655</i>	32.50 <i>826</i>	0.236 <i>6.00</i>	855.80
230630LBC3	230630LBK3	24.8031 <i>630.00</i>	36.2205 <i>920.00</i>	8.3465 <i>212.00</i>	27.30 <i>693</i>	34.10 <i>866</i>	0.315 <i>8.00</i>	1,029.60

Additional Notes

Please call 1-866-REXNORD for availability

Tapered bore, 1:12 on diameter

Dimension "R" is the largest fillet radius that will clear bearing corners

For the Selection Guide, Load Ratings and Speed Limits, see the Link-Belt Split Spherical Roller Bearings Engineering section

For shaft bearing seat diameters, see Link-Belt Split Spherical Bearings Shaft & Housing Seat Diameters section Guide section

Note: Dimensions subject to change. Certified dimensions of ordered material furnished on request.

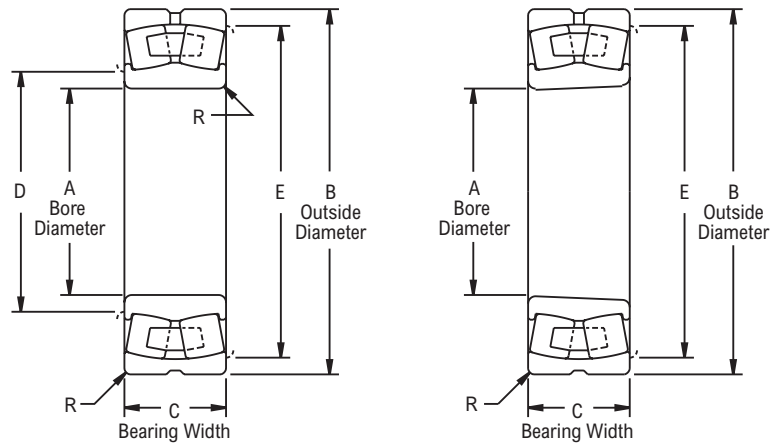
23100LB, 23100LBK



Photo Shows an Unmounted Spherical Roller Bearing Unit

Product Features

- Cylindrical or Tapered bore
- Roller riding retainers
- Self-aligning
- High Capacity
- See Features & Benefits for additional info.



Cylindrical Bore

Tapered Bore

Bearing Dimensions

Cylindrical Part Number	Tapered Part Number	A Bore Diameter	B Outside Diameter	C Bearing Width	D	E	R	Approx. Weight
23144LBC3	23144LBK3	8.6614 <i>220.00</i>	14.5669 <i>370.00</i>	4.7244 <i>120.00</i>	9.80 <i>249</i>	13.50 <i>343</i>	0.157 <i>4.00</i>	116.00
23148LBC3	23148LBK3	9.4488 <i>240.00</i>	15.7480 <i>400.00</i>	5.0394 <i>128.00</i>	10.60 <i>269</i>	14.70 <i>373</i>	0.157 <i>4.00</i>	142.00
23152LBC3	23152LBK3	10.2362 <i>260.00</i>	17.3228 <i>440.00</i>	5.6693 <i>144.00</i>	11.40 <i>290</i>	16.30 <i>414</i>	0.157 <i>4.00</i>	193.10
23156LBC3	23156LBK3	11.0236 <i>280.00</i>	18.1102 <i>460.00</i>	5.7480 <i>146.00</i>	12.40 <i>315</i>	16.90 <i>429</i>	0.197 <i>5.00</i>	206.30
23160LBC3	23160LBK3	11.8110 <i>300.00</i>	19.6850 <i>500.00</i>	6.2992 <i>160.00</i>	13.20 <i>335</i>	18.40 <i>467</i>	0.197 <i>5.00</i>	273.40
23164LBC3	23164LBK3	12.5984 <i>320.00</i>	21.2598 <i>540.00</i>	6.9291 <i>176.00</i>	14.00 <i>356</i>	20.00 <i>508</i>	0.197 <i>5.00</i>	354.90
23168LBC3	23168LBK3	13.3858 <i>340.00</i>	22.8346 <i>580.00</i>	7.4803 <i>190.00</i>	14.80 <i>376</i>	21.50 <i>546</i>	0.197 <i>5.00</i>	451.90
23172LBC3	23172LBK3	14.1732 <i>360.00</i>	23.6220 <i>600.00</i>	7.5591 <i>192.00</i>	15.70 <i>399</i>	20.00 <i>508</i>	0.197 <i>5.00</i>	474.00
23176LBC3	23176LBK3	14.9606 <i>380.00</i>	24.4094 <i>620.00</i>	7.6378 <i>194.00</i>	16.50 <i>419</i>	23.10 <i>587</i>	0.197 <i>5.00</i>	500.40
23180LBC3	23180LBK3	15.7480 <i>400.00</i>	25.5905 <i>650.00</i>	7.8740 <i>200.00</i>	17.60 <i>447</i>	24.00 <i>610</i>	0.236 <i>6.00</i>	564.40
23184LBC3	23184LBK3	16.5354 <i>420.00</i>	27.5591 <i>700.00</i>	8.8189 <i>224.00</i>	18.30 <i>465</i>	25.90 <i>658</i>	0.236 <i>6.00</i>	745.10
23188LBC3	23188LBK3	17.3228 <i>440.00</i>	28.3465 <i>720.00</i>	8.8976 <i>226.00</i>	19.20 <i>488</i>	26.70 <i>678</i>	0.236 <i>6.00</i>	789.20
23192LBC3	23192LBK3	18.1102 <i>460.00</i>	29.9213 <i>760.00</i>	9.4488 <i>240.00</i>	20.30 <i>516</i>	27.90 <i>709</i>	0.315 <i>8.00</i>	925.90
23196LBC3	23196LBK3	18.8976 <i>480.00</i>	31.1024 <i>790.00</i>	9.7638 <i>248.00</i>	21.10 <i>536</i>	29.10 <i>739</i>	0.315 <i>8.00</i>	1,040.60
231530LBC3	231530LBK3	20.8661 <i>530.00</i>	34.2520 <i>870.00</i>	10.7087 <i>272.00</i>	23.20 <i>589</i>	32.20 <i>818</i>	0.315 <i>8.00</i>	1,381.60
231560LBC3	231560LBK3	22.0472 <i>560.00</i>	36.2205 <i>920.00</i>	11.0236 <i>280.00</i>	24.40 <i>620</i>	34.10 <i>866</i>	0.315 <i>8.00</i>	1,599.40
231600LBC3	231600LBK3	23.6220 <i>600.00</i>	38.5827 <i>980.00</i>	11.8110 <i>300.00</i>	26.10 <i>663</i>	36.40 <i>925</i>	0.315 <i>8.00</i>	1,975.60
231630LBC3	231630LBK3	24.8031 <i>630.00</i>	40.5512 <i>1,030.00</i>	12.4016 <i>315.00</i>	27.30 <i>693</i>	38.30 <i>973</i>	0.315 <i>8.00</i>	2,288.00

Additional Notes

- Please call 1-866-REXNORD for availability
- Tapered bore, 1:12 on diameter
- Dimension "R" is the largest fillet radius that will clear bearing corners
- For the Selection Guide, Load Ratings and Speed Limits, see the Link-Belt Split Spherical Roller Bearings Engineering section

- For shaft bearing seat diameters, see Link-Belt Split Spherical Bearings Shaft & Housing Seat Diameters section Guide section
- Note: Dimensions subject to change. Certified dimensions of ordered material furnished on request.

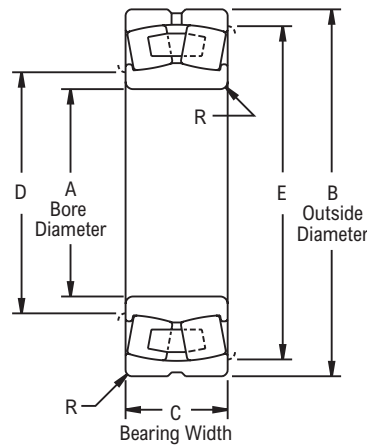
23200LB, 23200LBK



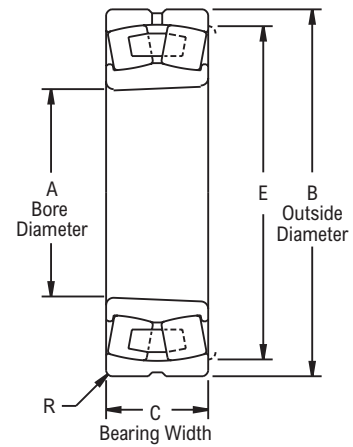
Photo Shows an Unmounted Spherical Roller Bearing Unit

Product Features

- Cylindrical or Tapered bore
- Roller riding retainers
- Self-aligning
- High Capacity
- See Features & Benefits for additional info.



Cylindrical Bore



Tapered Bore

Bearing Dimensions

Cylindrical Part Number	Tapered Part Number	A Bore Diameter	B Outside Diameter	C Bearing Width	D	E	R	Approx. Weight
23244LBC3	23244LBK3	8.6614 <i>220.00</i>	15.7480 <i>400.00</i>	5.6693 <i>144.00</i>	9.80 <i>249</i>	14.70 <i>373</i>	0.157 <i>4.00</i>	175.70
23248LBC3	23248LBK3	9.4488 <i>240.00</i>	17.3228 <i>440.00</i>	6.2992 <i>160.00</i>	10.60 <i>269</i>	16.30 <i>414</i>	0.157 <i>4.00</i>	231.50
23252LBC3	23252LBK3	10.2362 <i>260.00</i>	18.8976 <i>480.00</i>	6.8504 <i>174.00</i>	11.60 <i>295</i>	17.60 <i>447</i>	0.197 <i>5.00</i>	297.60
23256LBC3	23256LBK3	11.0236 <i>280.00</i>	19.6850 <i>500.00</i>	6.9291 <i>176.00</i>	12.40 <i>315</i>	18.40 <i>467</i>	0.197 <i>5.00</i>	319.70
23260LBC3	23260LBK3	11.8110 <i>300.00</i>	21.2598 <i>540.00</i>	7.5591 <i>192.00</i>	13.20 <i>335</i>	20.00 <i>508</i>	0.197 <i>5.00</i>	414.50
23264LBC3	23264LBK3	12.5984 <i>320.00</i>	22.8346 <i>580.00</i>	8.1890 <i>208.00</i>	14.00 <i>356</i>	21.50 <i>546</i>	0.197 <i>5.00</i>	522.50
23268LBC3	23268LBK3	13.3858 <i>340.00</i>	24.4094 <i>620.00</i>	8.8189 <i>224.00</i>	15.10 <i>384</i>	22.80 <i>579</i>	0.236 <i>6.00</i>	643.70
23272LBC3	23272LBK3	14.1732 <i>360.00</i>	25.5905 <i>650.00</i>	9.1339 <i>232.00</i>	15.90 <i>404</i>	24.00 <i>610</i>	0.236 <i>6.00</i>	727.50
23276LBC3	23276LBK3	14.9606 <i>380.00</i>	26.7717 <i>680.00</i>	9.4488 <i>240.00</i>	16.70 <i>424</i>	25.10 <i>638</i>	0.236 <i>6.00</i>	813.50
23280LBC3	23280LBK3	15.7480 <i>400.00</i>	28.3465 <i>720.00</i>	10.0787 <i>256.00</i>	17.60 <i>447</i>	26.70 <i>678</i>	0.236 <i>6.00</i>	983.20
23284LBC3	23284LBK3	16.5354 <i>420.00</i>	29.9213 <i>760.00</i>	10.7087 <i>272.00</i>	18.70 <i>475</i>	27.90 <i>709</i>	0.315 <i>8.00</i>	1,170.60
23288LBC3	23288LBK3	17.3228 <i>440.00</i>	31.1024 <i>790.00</i>	11.0236 <i>280.00</i>	19.50 <i>495</i>	29.10 <i>739</i>	0.315 <i>8.00</i>	1,298.50
23292LBC3	23292LBK3	18.1102 <i>460.00</i>	32.6772 <i>830.00</i>	11.6535 <i>296.00</i>	20.30 <i>516</i>	30.60 <i>777</i>	0.315 <i>8.00</i>	1,511.40
23296LBC3	23296LBK3	18.8976 <i>480.00</i>	34.2520 <i>870.00</i>	12.2047 <i>310.00</i>	21.10 <i>536</i>	32.20 <i>818</i>	0.315 <i>8.00</i>	1,742.40

Additional Notes

- Please call 1-866-REXNORD for availability
- Tapered bore, 1:12 on diameter
- Dimension "R" is the largest fillet radius that will clear bearing corners
- For the Selection Guide, Load Ratings and Speed Limits, see the Link-Belt Split Spherical Roller Bearings Engineering section
- For shaft bearing seat diameters, see Link-Belt Split Spherical Bearings Shaft & Housing Seat Diameters section Guide section
- Note: Dimensions subject to change. Certified dimensions of ordered material furnished on request.

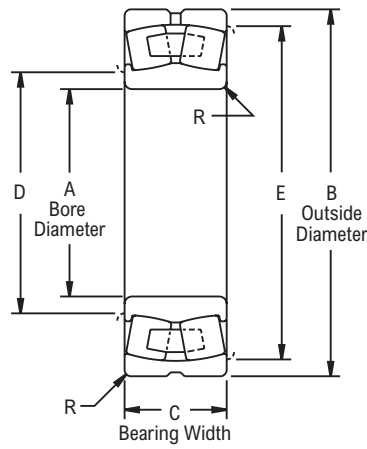
23900LB, 23900LBK



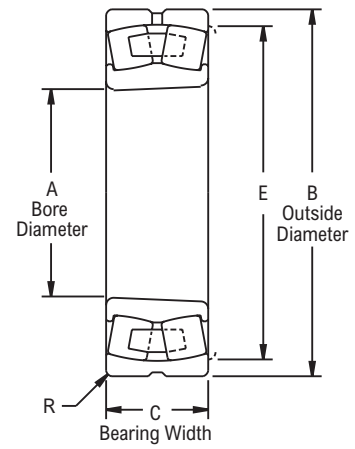
Photo Shows an Unmounted Spherical Roller Bearing Unit

Product Features

- Cylindrical or Tapered bore
- Roller riding retainers
- Self-aligning
- High Capacity
- See Features & Benefits for additional info.



Cylindrical Bore



Tapered Bore

Bearing Dimensions

Cylindrical	Tapered	A Bore Diameter	B Outside Diameter	C Bearing Width	D	E	R	Approx. Weight
Part Number	Part Number							
23944LBC3	23944LBKC3	8.6614	11.8110	2.3622	9.50	11.10	0.079	26.70
		<i>220.00</i>	<i>300.00</i>	<i>60.00</i>	<i>241</i>	<i>282</i>	<i>2.00</i>	
23948LBC3	23948LBKC3	9.4488	12.5984	2.3622	10.40	11.90	0.079	28.90
		<i>240.00</i>	<i>320.00</i>	<i>60.00</i>	<i>264</i>	<i>302</i>	<i>2.00</i>	

Additional Notes

- Please call 1-866-REXNORD for availability
- Tapered bore, 1:12 on diameter
- Dimension "R" is the largest fillet radius that will clear bearing corners
- For the Selection Guide, Load Ratings and Speed Limits, see the Link-Belt Split Spherical Roller Bearings Engineering section
- For shaft bearing seat diameters, see Link-Belt Split Spherical Bearings Shaft & Housing Seat Diameters section Guide section
- Note: Dimensions subject to change. Certified dimensions of ordered material furnished on request.



Industries Served
Food and Beverage

Link-Belt Klean-Guard & Dura-Klean Ball Bearings For Beverage & Food Conveying Applications

Klean-Gard

Available in polypropylene (white) housings with stainless steel inserts. Housing styles available in pillow blocks, 2-bolt, 3-bolt & 4-bolt flanges. Snap on cap (open or closed) available. Solid-back housings are designed to inhibit the growth of bacteria, mold, and mildew that may cause discoloration, odor, or degradation.

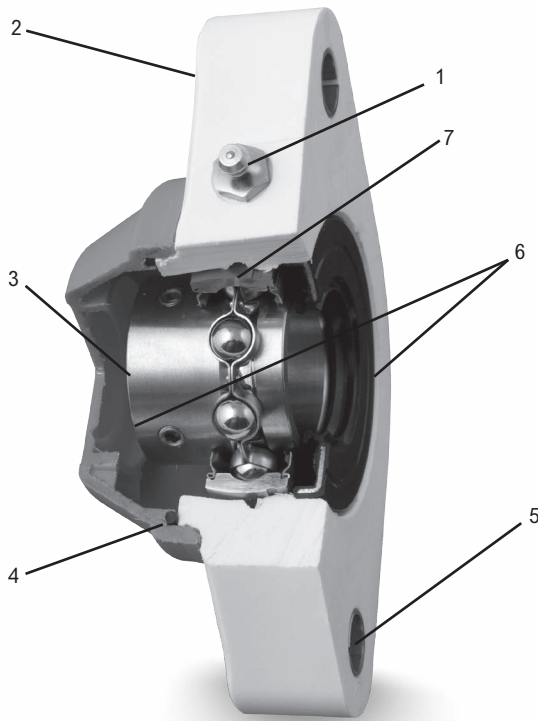
Always maintain good hygiene; proper cleaning procedures are still required.

Interchangeable with cast iron units. Beverage bearing configuration available upon request, add the prefix "W."

Dura-Klean

Rilsan® nylon coated with black oxide inserts and food grade grease.

Available in pillow blocks, 2-bolt, 3-bolt & 4-bolt flanges and take-up units up to 1 15/16" bore size.



1. Corrosion Resistant Fittings for Relubrication

Bearing insert factory prelubricated with food-grade grease.

2. Reinforced Housing Material

Rugged, reinforced housing material available in Polypropylene (white) for extreme corrosion resistance.

3. Inch or Metric Shaft Sizes Available

4. Auxiliary Caps

Both open and closed auxiliary safety caps fit tightly to the machined housing and are sealed with heavy duty O-rings.

5. Stainless Steel Bushings and Washers

AISI 316 stainless steel spacer bushing and washer for trouble-free, positive mounting.

6. Rotary Shaft Seals

Front and rear auxiliary rotary shaft seals provided with spring loaded double lip seal to guard critical bearing components and prevent conveyor contamination.

7. Stainless Steel Ball Bearings

Alignable, high capacity, stainless steel ball bearing mounted with setscrews to the shaft. Integral bearing lip seals.



Klean-Gard Nomenclature

Symbol	Description	KL	FX	SS	2	E	20	DC	V
KL	Polypropylene (White) housing material	_____							
W	Beverage unit with water drainage features								
F	Flanged unit, 3 and 4-bolt		_____						
FB	Flanged bracket unit, 3-bolt		_____						
FX	Flanged unit, 2-bolt		_____						
P	Pillow block, standard backing		_____						
SS	Extended inner ring, stainless steel insert, molded lip seals			_____					
2	Series 200 ball bearing designation				_____				
E	Inner ring bore equal to a bore of the next larger bearing group					_____			
20	Shaft size in sixteenths of an inch						_____		
M30	Shaft size in millimeters						_____		
None	Open end unit, basic unit								
C	Closed end unit, no auxiliary seals								
D	Open end unit, end cap with seal and rear auxiliary dual lip seal								
DC	Closed end unit, end cap and rear auxiliary dual lip seal							_____	
V	Viton auxiliary seals								_____

Dura-Klean Nomenclature

Symbol	Description	W	F	3	S	2	E	20	E
W	Dura-Klean (White) housing	_____							
F	Flanged unit, 3 and 4-bolt		_____						
FB	Flanged bracket unit, 3-bolt		_____						
FX	Flanged unit, 2-bolt		_____						
P	Pillow block, standard backing		_____						
PT	Pillow block, tapped base		_____						
TH	Take-up, wide slot		_____						
3	Integral bearing seals			_____					
S	Extended inner ring, spring locking, black oxide coated rings				_____				
2	Series 200 ball bearing designation					_____			
E	Inner ring bore equal to a bore of the next larger bearing group						_____		
20	Shaft size in sixteenths of an inch							_____	
M30	Shaft size in millimeters							_____	
E	Molded single lip seals								_____

Klean-Gard & Dura-Klean Ball Bearings Selection Guide

To select a bearing, determine the applied radial load, the applied thrust load, the desired Rating Life, and applicable operating conditions. The procedure shown here will aid in selecting a bearing to meet an L10 design life. The formulas for calculating life expectancy should be used to determine the Rating Life L10 for the bearing selected.

The selection procedures and rating formulas shown here are in agreement with The American Bearing Manufacturers Association Standards and ANSI/ABMA Standards STD 9-1990. Ratings are based on fatigue life. The Rating Life or fatiguelife at 90% reliability is the usual basis for bearing selection.

Steps for Selection

Step 1

Determine an appropriate L10 design life.

Type of service	Operating time, hours per year	Design life, years	L10 design life, hours
Light seasonal usage	500 to 750	3-5	3,000
Heavy seasonal usage	1,400 to 1,600	4-6	8,000
Industrial—8 hour shift	2,000	10	20,000

Step 2

Determine a required $\left(\frac{C}{P}\right)$ from Table 1.

Step 3

Calculate the required C and select a ball bearing.

a For radial load only:

$$P = F_r$$

$$\text{required } C = \left(\frac{C}{P}\right)P \text{ using } \left(\frac{C}{P}\right) \text{ from Step 2}$$

Select a ball bearing from Table 3 with a basic load rating C equal to or greater than the required C.

b For combined radial and thrust loads when $\frac{F_a}{F_r}$ is 0.19 or less:

$$P = F_r$$

$$\text{required } C = \left(\frac{C}{P}\right)P \text{ using } \left(\frac{C}{P}\right) \text{ from Step 2}$$

Select a ball bearing from Table 3 with a basic load rating C equal to or greater than the required C.

Series S200 and SS200 are extended on one side only for compactness and low cost. In combination with its companion line of economically designed housings, this series is applicable to light or moderate duty requirements. Also, economically designed housings must be applied within proportionate load limits.

To assure a satisfactory bearing application, fitting practice, mounting, lubrication, sealing, static rating, housing strength, operating conditions and maintenance must be considered.

Step 3 (continued)

c For combined radial and thrust loads when $\frac{F_a}{F_r}$ is greater than 0.19, use the following trial method:

$$\text{Maximum } P = .56F_r + 2.30F_a$$

$$\text{Maximum required } C = \left(\frac{C}{P}\right)P \text{ using } \left(\frac{C}{P}\right) \text{ from Step 2}$$

Select a trial ball bearing with a basic load rating C from Table 3 approximately equal to the maximum required C.

With this trial bearing calculate: $\frac{F_a}{Nd^2}$

Determine X and Y from Table 2.

Calculate P for the trial bearing.

$$P = XF_r + YF_a$$

$$\text{required } C = \left(\frac{C}{P}\right)P \text{ for the trial bearing using } \left(\frac{C}{P}\right) \text{ from Step 2}$$

Consult Table 3, basic load rating. If a smaller bearing meets or nearly meets the required C, its life expectancy can be calculated.

Note: If the load P is greater than .15C for series S200 and SS200, consult Rexnord Bearing Products.

Selection

Symbols for formulas:

- C = basic load rating, pounds (or newtons)
- Co = static load rating, pounds (or newtons)
- e = a reference value
- Fa = thrust load, pounds (or newtons)
- Fr = radial load, pounds (or newtons)
- L10 = rating life, hours
- n = speed, revolutions per minute
- P = equivalent radial load, pounds (or newtons)
- X = radial factor
- Y = thrust factor

Table 1 • Relation of L10 life and speed to $\left(\frac{C}{P}\right)$

Bearing life, hours L ₁₀	$\left(\frac{C}{P}\right)$ ratio									
	Speed, n									
	50	100	200	300	400	500	600	700	800	
3000	2.08	2.62	3.30	3.77	4.15	4.47	4.75	5.01	5.23	
4000	2.29	2.88	3.63	4.15	4.57	4.92	5.23	5.51	5.76	
5000	2.46	3.10	3.91	4.47	4.92	5.30	5.64	5.93	6.20	
6000	2.62	3.30	4.15	4.75	5.23	5.64	5.99	6.30	6.59	
8000	2.88	3.63	4.57	5.23	5.76	6.20	6.59	6.94	7.25	
10000	3.10	3.91	4.92	5.64	6.20	6.68	7.10	7.47	7.81	
12000	3.30	4.15	5.23	5.99	6.59	7.10	7.54	7.94	8.30	
14000	3.47	4.37	5.51	6.30	6.94	7.47	7.94	8.36	8.74	
16000	3.63	4.57	5.76	6.59	7.25	7.81	8.30	8.74	9.14	
18000	3.77	4.75	5.99	6.86	7.54	8.13	8.63	9.09	9.50	
20000	3.91	4.92	6.20	7.10	7.81	8.42	8.94	9.41	9.84	
25000	4.21	5.30	6.68	7.65	8.42	9.07	9.63	10.1	10.6	
30000	4.47	5.64	7.10	8.13	8.94	9.63	10.2	10.8	11.3	
35000	4.71	5.93	7.47	8.55	9.41	10.1	10.8	11.3	11.9	
40000	4.92	6.20	7.81	8.94	9.84	10.6	11.3	11.9	12.4	
45000	5.12	6.45	8.13	9.30	10.2	11.0	11.7	12.3	12.9	
50000	5.30	6.68	8.42	9.63	10.6	11.4	12.1	12.8	13.4	
60000	5.64	7.10	8.94	10.2	11.3	12.1	12.9	13.6	14.2	
70000	5.93	7.47	9.41	10.8	11.9	12.8	13.6	14.3	14.9	
80000	6.20	7.81	9.84	11.3	12.4	13.4	14.2	14.9	15.6	
90000	6.45	8.13	10.2	11.7	12.9	13.9	14.8	15.5	16.2	
100000	6.68	8.42	10.6	12.1	13.4	14.4	15.3	16.1	16.8	
150000	7.65	9.63	12.1	13.9	15.3	16.5	17.5	18.4	19.3	
200000	8.42	10.6	13.4	15.3	16.8	18.1	19.3	20.3	21.2	
	Speed, n									
	900	1000	1200	1500	1800	2400	3600	6000	10000	
3000	5.44	5.64	5.99	6.45	6.86	7.54	8.63	10.2	12.1	
4000	5.99	6.20	6.59	7.10	7.54	8.30	9.50	11.3	13.4	
5000	6.45	6.68	7.10	7.65	8.13	8.94	10.2	12.1	14.4	
6000	6.86	7.10	7.54	8.13	8.63	9.50	10.9	12.9	15.3	
8000	7.54	7.81	8.30	8.94	9.50	10.5	12.0	14.2	16.8	
10000	8.13	8.42	8.94	9.63	10.2	11.3	12.9	15.3	18.1	
12000	8.63	8.94	9.50	10.2	10.9	12.0	13.7	16.2	19.3	
14000	9.09	9.41	10.0	10.8	11.4	12.6	14.4	17.1	20.3	
16000	9.50	9.84	10.5	11.3	12.0	13.2	15.1	17.9	21.2	
18000	9.88	10.2	10.9	11.7	12.4	13.7	15.7	18.6	22.0	
20000	10.2	10.6	11.3	12.1	12.9	14.2	16.2	19.3	22.8	
25000	11.0	11.4	12.1	13.1	13.9	15.3	17.5	20.7	24.6	
30000	11.7	12.1	12.9	13.9	14.8	16.2	18.6	22.0	26.1	
35000	12.3	12.8	13.6	14.6	15.5	17.1	19.6	23.2	27.5	
40000	12.9	13.4	14.2	15.3	16.2	17.9	20.5	24.3	28.7	
45000	13.4	13.9	14.8	15.9	16.9	18.6	21.3	25.2	29.9	
50000	13.9	14.4	15.3	16.5	17.5	19.3	22.0	26.1	31.0	
60000	14.8	15.3	16.2	17.5	18.6	20.5	23.4	27.8	32.9	
70000	15.5	16.1	17.1	18.4	19.6	21.5	24.6	29.2	34.6	
80000	16.2	16.8	17.9	19.3	20.5	22.5	25.8	30.5	36.2	
90000	16.9	17.5	18.6	20.0	21.3	23.4	26.8	31.8	37.7	
100000	17.5	18.1	19.3	20.7	22.0	24.3	27.8	32.9	39.0	
150000	20.0	20.7	22.0	23.7	25.2	27.8	31.8	37.7	44.6	
200000	22.0	22.8	24.3	26.1	27.8	30.5	35.0	41.4	49.1	

Basic formula

$$\left(\frac{C}{P}\right) = \left(\frac{L_{10} \times n \times 60}{1,000,000}\right)^{1/3}$$

$$L_{10} = \frac{\left(\frac{C}{P}\right)^3 \times 1,000,000}{n \times 60}$$

Life Expectancy

To calculate the Rating Life L₁₀ of any selected or trial bearing:

Step 1 Determine the equivalent radial load P.

- a For radial load only:
P = Fr
- b For combined radial and thrust load:
P = XFr + YFa using X and Y from Table 2 below.

Step 2 Calculate the ratio of basic load rating C to the equivalent radial load.

$$\left(\frac{C}{P}\right)$$

Step 3 Approximate the bearing life from Table 1.

Table 2 • X and Y factors for ball bearings

Fa Nd ²	e	Fa Fr ≤ e		Fa Fr > e	
		X	Y	X	Y
25	.19	1.0	0	.56	2.30
37.5	.21	1.0	0	.56	2.15
50	.22	1.0	0	.56	1.99
75	.24	1.0	0	.56	1.85
100	.26	1.0	0	.56	1.71
125	.27	1.0	0	.56	1.63
150	.28	1.0	0	.56	1.56
200	.30	1.0	0	.56	1.45
300	.34	1.0	0	.56	1.31
500	.38	1.0	0	.56	1.15
750	.42	1.0	0	.56	1.04
1000	.44	1.0	0	.56	1.00

For values between those in the table linear interpolation can be used.

Life Adjustment

The Rating Life, L₁₀, may be modified for some applications in accordance with the formula

$$L'_n = a_1 a_2 a_3 L_{10}$$

where L'_n = Adjusted life for (100-n) % reliability,

a₁ = Life adjustment factor for reliability

a₂ = Life adjustment factor for material and processing

a₃ = Life adjustment factor for operating conditions.

For most normal applications, all factors will be taken as 1, and the Rating Life used as the selection basis or life estimate. In addition, as long as standard catalog bearings are used, a₂ will be normally set equal to one. The factor a₃ covers such things as lubrication, misalignment, and temperature. Some conditions that could yield a₃ significantly different than unity include speeds less than 20000 DN or greater than 200000 DN, temperatures below -40°F (-40°C) or above 275°F (135°C). For other possible conditions, as well as additional information on life adjustment factors, consult Rexnord Bearing Products.

Table 3 • Load ratings, speed limits and ball data

Size Code	Co Static Load Rating		C Basic Load Rating		Approximate Speed Limit RPM*	d Ball diameter inches	N Number of balls	Nd2
	newtons	pounds	newtons	pounds				
204	6,590	1480	9,830	2210	7500	5/16	8	.781
205	7,830	1760	10,810	2430	6800	5/16	9	.879
206	11,300	2530	15,030	3380	5600	3/8	9	1.27
207	15,300	3440	19,880	4470	4800	7/16	9	1.72
208	19,900	4460	25,100	5640	4500	1/2	9	2.25
209	20,400	4590	25,220	5670	4000	1/2	9	2.25
210	23,200	5220	27,090	6090	3600	1/2	10	2.50

If the load P is greater than .15C for S200 and SS200 consult Rexnord Bearing Products.

*Based on grease lubrication and moderate load.

Table 4 • Radial load ratings in pounds at various RPM for appropriate L₁₀ life hours

Size Code	L ₁₀ Minimum life hours	Radial Load Ratings, Pounds/Speed, RPM																			
		50	100	200	300	400	500	600	700	800	900	1000	1200	1500	1800	2000	2500	3000	3500	4000	5000
204	8000	489	427	387	361	341	323	310	297	286	270	253	237	230	213	201	191	183	170
	20000	...	451	361	314	288	268	253	239	228	220	213	201	186	176	170	158	149	142	136	126
	40000	454	361	288	253	228	213	201	191	183	176	170	160	149	140	136	127	119	114	109	96
	100000	331	263	209	182	166	154	145	137	131	126	122	115	107	100	97	90	85	80	77	71
205	8000	537	469	425	396	374	355	340	326	314	297	277	260	253	234	220	210	201	186
	20000	...	496	396	345	316	294	277	263	250	242	234	220	205	193	187	173	163	155	149	138
	40000	498	396	316	277	250	234	220	209	201	193	186	176	163	154	149	139	131	124	119	111
	100000	364	289	229	200	182	169	159	151	144	139	134	126	117	110	106	99	93	88	84	78
206	8000	745	651	590	549	519	492	471	451	434	411	384	360	350	323	304	290	277	257
	20000	...	688	549	378	438	407	384	363	346	335	323	304	282	267	258	239	225	214	205	191
	40000	691	549	438	384	346	323	304	289	277	266	257	243	225	212	206	191	180	171	164	152
	100000	505	401	318	278	252	234	221	209	200	193	186	175	162	153	148	137	129	123	117	109
207	8000	984	859	778	725	684	649	622	595	573	541	506	474	461	426	401	381	365	338
	20000	...	908	725	631	577	537	506	479	456	441	426	401	372	351	339	314	296	282	270	250
	40000	912	759	577	506	456	426	401	380	365	351	338	319	296	279	271	251	236	224	216	200
	100000	668	530	421	367	334	310	292	277	265	255	246	231	215	202	195	181	171	162	155	144
208	8000	1100	968	877	816	771	731	701	670	645	610	569	534	519	479	451	429	411	381
	20000	...	1020	816	711	650	605	569	539	514	496	479	451	419	395	382	354	333	317	304	282
	40000	1020	816	650	569	514	480	452	428	411	395	380	359	334	313	304	282	266	252	242	225
	100000	752	597	474	414	376	349	328	312	298	287	277	261	242	228	220	204	192	182	174	162
209	8000	1240	1080	986	918	867	821	787	753	725	685	640	600	583	539	507	482	462	428
	20000	...	1150	918	799	731	680	640	606	578	558	539	507	471	444	429	397	374	356	341	316
	40000	1150	918	731	640	578	539	507	481	461	443	427	404	375	352	342	317	298	283	272	252
	100000	847	672	534	466	423	393	370	351	336	323	312	294	273	256	248	230	216	205	197	182
210	8000	1330	1160	1050	985	931	882	845	809	778	736	687	644	626	578	544	518	496	466
	20000	...	1230	985	858	785	730	687	651	620	599	578	544	505	476	461	426	401	382	366	336
	40000	1240	985	785	687	620	597	545	517	495	476	459	433	402	378	367	340	320	304	292	262
	100000	909	722	573	500	455	422	397	377	361	347	335	315	293	275	266	247	232	221	211	191

Operation in the high speed shaded areas requires frequent relubrication.

Heavy lines define recommended speed ranges of bearing and seal variations.

If the load P is greater than .15C for S200 and SS200 consult Rexnord Bearing Products.

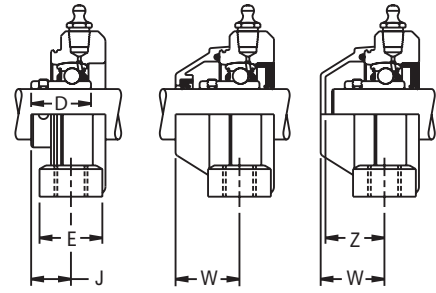
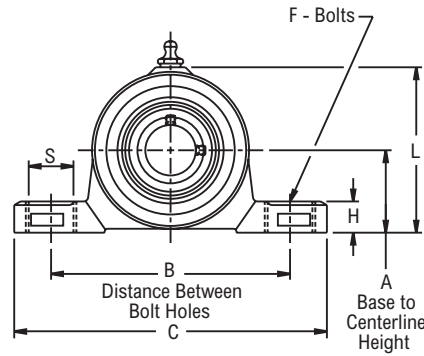
KLPSS200



Photo Shows a 2-Bolt Ball Bearing Pillow Block Unit with Stainless Steel Insert and Polypropylene Housing

Product Features

- Reinforced Polypropylene housing
- Stainless steel bearing insert
- Stainless steel bushing & washers
- Alignable & relubricatable
- Spring locking setscrew mount
- Prelubricated with food grade grease
- See Features & Benefits for additional info.



Basic Unit Open Unit with Auxiliary Seals Closed Unit with End Cap and Seal

KLP-SS200 KLP-SS200D KLP-SS200DC

Bearing Dimensions

Size Code	Shaft Diameter	Polypropylene		A Base to Centerline Height	B Distance Between Bolt Holes	C	D	E	F	H	J	L	S	W	Z	Approx. Weight
		Part Number														
204	3/4	KLPSS212		1 5/16	3 25/32	5 1/32	1 1/8	1 3/16	3/8	43/64	3/4	3 1/32	7/8	1 7/32	1 1/8	1.50
	20.00	KLPSS2M20		33.30	96.00	128.00	28.58	30.00	10.00	17.00	19.00	77.00	22.00	30.80	28.80	0.68
205	1	KLPSS216		1 7/16	4 11/64	5 31/64	1 3/16	1 23/64	3/6	43/64	13/16	3 11/32	7/6	1 9/32	1 13/64	1.80
	25.00	KLPSS2M25		36.50	106.00	140.00	30.17	34.50	10.00	17.00	20.60	85.00	22.00	32.70	30.70	0.80
206	1 3/16	KLPSS219		1 11/16	4 49/64	6 27/64	1 11/32	1 27/64	1/2	25/32	61/64	3 55/64	15/16	1 3/8	1 19/64	1.80
	1 1/4	KLPSS2E20														
	30.00	KLPSS2M30		42.90	121.00	163.00	34.13	36.00	12.00	20.00	24.20	98.00	24.00	35.00	33.00	0.80
207	1 1/4	KLPSS220		1 7/8	4 31/32	6 37/64	1 9/16	1 33/64	1/2	25/32	1 7/64	4 1/4	15/16	1 9/16	1 15/32	2.00
	1 3/8	KLPSS222														
	1 7/16	KLPSS223														
	35.00	KLPSS2M35		47.60	126.00	167.00	39.67	38.60	12.00	20.00	28.20	108.00	24.00	39.50	37.50	0.90
208	1 1/2	KLPSS224		2	5 11/32	7 9/32	1 11/16	1 33/64	1/2	25/32	1 13/64	4 13/32	15/16	1 41/64	1 9/16	2.20
	40.00	KLPSS2M40		50.80	136.00	185.00	42.87	38.60	12.00	20.00	30.60	112.00	24.00	41.60	39.60	1.00

Additional Notes

- Please call 1-866-REXNORD for availability
- Lubrication fitting tap size, Rp 1/8" parallel thread per ISO 7/1 latest revision
- Note: 1/8" PT external thread will not fit
- Polypropylene housings furnished with nitrile rubber seals, o-ring & AISI 316 stainless steel bushings and washers
- For the Selection Guide, Load Ratings and Speed Limits, see the Klean-Gard/Dura-Klean Engineering section
- Note: Dimensions subject to change. Certified dimensions of ordered material furnished on request.

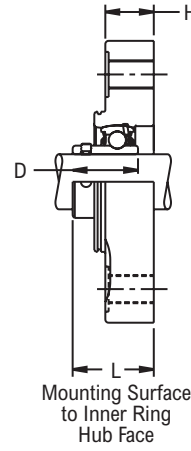
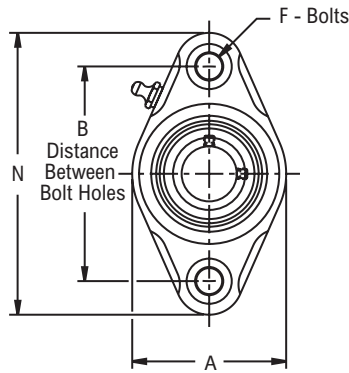
KLFXSS200



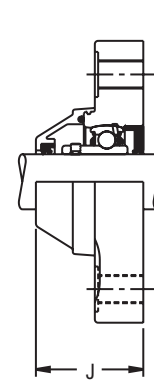
Photo Shows a 2-Bolt Ball Bearing Flanged Unit with Stainless Steel Insert and Polypropylene Housing

Product Features

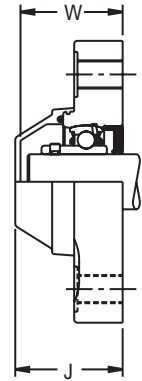
- Reinforced Polypropylene housing
- Stainless steel bearing insert
- Stainless steel bushing & washers
- Spring locking setscrew mount
- Alignable & relubricatable
- Prelubricated with food grade grease
- See Features & Benefits for additional info.



Basic Unit
KLFX-SS200



Open Unit with Auxiliary Seals
KLFX-SS200D



Closed Unit with End Cap and Seal
KLFX-SS200DC

Bearing Dimensions

Size Code	Shaft Diameter	Polypropylene		B Distance Between Bolt Holes	L Mounting Surface to Inner Ring Hub Face	A	D	F	H	J	N	W	Approx. Weight
		Part Number											
204	3/4	KLFXSS212		3.54	1 23/64	2 7/16	1 1/8	7/16	51/64	1 13/16	4 9/16	1 11/16	0.90
	20.00	KLFXSS2M20		90.00	34.30	62.00	28.58	11.00	20.00	46.00	116.00	43.00	0.41
205	1	KLFXSS216		3.90	1 15/32	2 13/16	1 3/16	7/16	7/8	1 61/64	5 1/8	1 7/8	1.00
	25.00	KLFXSS2M25		99.00	37.30	71.00	30.17	11.00	22.50	49.50	130.00	47.50	0.45
206	1 3/16	KLFXSS219		4.61	1 3/4	3 11/32	1 11/32	7/16	1 1/64	2 11/64	5 53/64	2 3/32	1.25
	1 1/4	KLFXSS2E20											
	30.00	KLFXSS2M30											
207	1 1/4	KLFXSS220		5.12	1 7/8	3 21/32	1 9/16	7/16	1 1/64	2 21/64	6 3/8	2 1/4	1.50
	1 3/8	KLFXSS222											
	1 7/16	KLFXSS223											
	35.00	KLFXSS2M35		130.00	47.70	93.00	39.67	11.00	26.00	59.00	162.00	57.00	0.68
208	1 1/2	KLFXSS224		5.67	2 1/16	4 1/64	1 11/16	7/16	1 3/16	2 37/64	6 59/64	2 15/32	2.00
	40.00	KLFXSS2M40		144.00	52.40	102.00	42.87	11.00	30.00	65.50	176.00	62.50	0.90

Additional Notes

- Please call 1-866-REXNORD for availability
- Lubrication fitting tap size, Rp 1/8" parallel thread per ISO 7/1 latest revision
- Note: 1/8" PT external thread will not fit
- Polypropylene housings furnished with nitrile rubber seals, o-ring & AISI 316 stainless steel bushings and washers
- For the Selection Guide, Load Ratings and Speed Limits, see the Klean-Gard/Dura-Klean Engineering section
- Note: Dimensions subject to change. Certified dimensions of ordered material furnished on request.

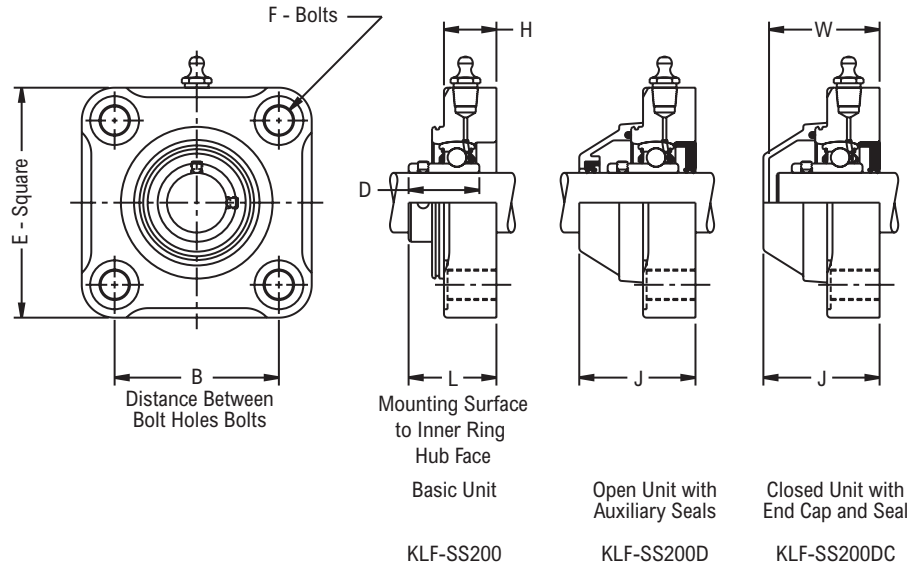
KLFSS200



Photo Shows a 4-Bolt Ball Bearing Flanged Unit with Stainless Steel Insert and Polypropylene Housing

Product Features

- Reinforced Polypropylene housing
- Stainless steel bearing insert
- Stainless steel bushing & washers
- Spring locking setscrew mount
- Alignable & relubricatable
- Prelubricated with food grade grease
- See Features & Benefits for additional info.



Bearing Dimensions

Size Code	Shaft Diameter	Polypropylene		B Distance Between Bolt Holes	L Mounting Surface to Inner Ring Hub Face	D	E	F	H	J	W	Approx. Weight
		Part Number										
205	1	KLFSS216		2.76	1 ¹⁵ / ₃₂	1 ³ / ₁₆	3 ⁵⁵ / ₆₄	7/ ₁₆	7/ ₈	1 ⁶¹ / ₆₄	1 ⁷ / ₈	0.90
	25.00	KLFSS2M25		70.00	37.30	30.17	98.00	11.00	22.50	49.50	47.50	0.41
206	1 ³ / ₁₆	KLFSS219		3.27	1 ³ / ₄	1 ¹¹ / ₃₂	4 ²¹ / ₆₄	7/ ₁₆	1 ¹ / ₆₄	2 ¹¹ / ₆₄	2 ³ / ₃₂	1.40
	1 ¹ / ₄	KLFSS2E20		83.00	44.20	34.13	110.00	11.00	26.00	55.00	53.00	0.63
207	1 ¹ / ₄	KLFSS220		3.62	1 ⁷ / ₈	1 ⁹ / ₁₆	4 ²³ / ₃₂	7/ ₁₆	1 ¹ / ₆₄	2 ²¹ / ₆₄	2 ¹ / ₄	1.90
	1 ³ / ₈	KLFSS222										
	1 ⁷ / ₁₆	KLFSS223										
	35.00	KLFSS2M35		92.00	47.70	39.67	120.00	11.00	26.00	59.00	57.00	0.86
208	1 ¹ / ₂	KLFSS224		4.02	2 ¹ / ₁₆	1 ¹¹ / ₁₆	5 ⁵ / ₃₂	7/ ₁₆	1 ³ / ₁₆	2 ³⁷ / ₆₄	2 ¹⁵ / ₃₂	2.50
	40.00	KLFSS2M40		102.00	52.40	42.87	131.00	11.00	30.00	65.50	62.50	1.13

Additional Notes

- Please call 1-866-REXNORD for availability
- Lubrication fitting tap size, Rp 1/8" parallel thread per ISO 7/1 latest revision
- Note: 1/8" PT external thread will not fit
- Polypropylene housings furnished with nitrile rubber seals, o-ring & AISI 316 stainless steel bushings and washers
- For the Selection Guide, Load Ratings and Speed Limits, see the Klean-Gard/Dura-Klean Engineering section
- Note: Dimensions subject to change. Certified dimensions of ordered material furnished on request.

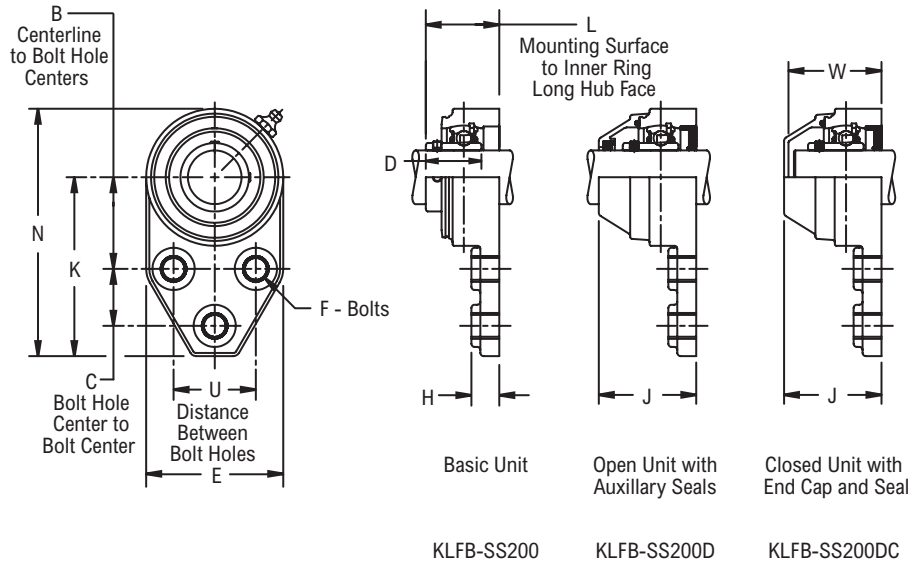
KLFBS200



Photo Shows a 3-Bolt Ball Bearing Flanged Bracket Unit with Stainless Steel Insert and Polypropylene Housing

Product Features

- Reinforced Polypropylene housing
- Stainless steel bearing insert
- Stainless steel bushing & washers
- Spring locking setscrew mount
- Alignable & relubricatable
- Prelubricated with food grade grease
- See Features & Benefits for additional info.



Bearing Dimensions

Size Code	Shaft Diameter	Polypropylene	B Centerline to Bolt Hole Center	C Bolt Hole Center to Bolt Center	L Mounting Surface to Inner Ring	U Distance Between Bolt Holes	D	E	F	H	J	K	N	W	Approx. Weight
		Part Number													
205	1	KLFBS216	1 13/16	1 1/8	1 17/32	1 5/8	1 3/16	2 23/32	7/16	9/16	2 1/64	3 11/32	4 57/64	1 15/16	0.60
	25.00	KLFBS2M25	46.00	28.58	38.90	41.28	30.17	69.00	11.00	14.00	51.20	89.80	124.00	49.20	0.27
206	1 3/16	KLFBS219	2 1/16	1 1/4	1 3/4	1 7/8	1 11/32	3 13/64	7/16	9/16	2 11/64	3 56/64	5 15/32	2 3/32	1.10
	1 1/4	KLFBS2E20	52.40	31.70	44.20	47.60	34.13	81.00	11.00	14.00	55.20	97.90	139.00	53.20	0.50
207	1 1/4	KLFBS220	2 3/8	1 1/4	1 7/8	2	1 9/16	3 11/16	7/16	9/16	2 21/64	4 15/64	6 5/64	2 1/4	1.60
	1 3/8	KLFBS222													
	1 7/16	KLFBS223													
	35.00	KLFBS2M35	60.30	31.70	47.70	50.80	39.67	94.00	11.00	14.00	59.10	107.60	154.00	57.20	0.72

Additional Notes

- Please call 1-866-REXNORD for availability
- Lubrication fitting tap size, Rp 1/8" parallel thread per ISO 7/1 latest revision
- Note: 1/8" PT external thread will not fit
- Polypropylene housings furnished with nitrile rubber seals, o-ring & AISI 316 stainless steel bushings and washers
- For the Selection Guide, Load Ratings and Speed Limits, see the Klean-Gard/Dura-Klean Engineering section
- Note: Dimensions subject to change. Certified dimensions of ordered material furnished on request.

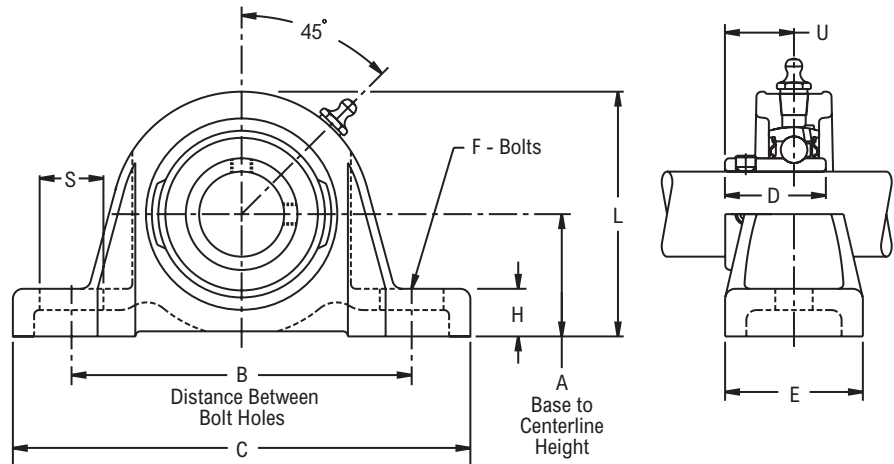
WP3S200



Photo Shows a 2-Bolt Ball Bearing Pillow Block Unit with Nylon Coated Housing

Product Features

- Corrosion resistant nylon coating
- Cast iron housing
- Inner & outer rings black oxide coated
- Spring locking setscrew mount
- Alignable & relubricatable
- Prelubricated with food grade grease
- See Features & Benefits for additional info



Bearing Dimensions

Size Code	Shaft Diameter	Part Number	A Base to Centerline Height	B Distance Between Bolt Holes	C	D	E	F	H	L	S	U	W	Approx. Weight	
204	³ / ₄	WP3S212E	1 ⁵ / ₁₆	3 ⁷ / ₈	5 ¹ / ₈	1 ¹ / ₈	1 ¹ / ₂	³ / ₈	¹ / ₂	2 ¹⁹ / ₃₂	¹¹ / ₁₆	³ / ₄	1 ¹⁹ / ₆₄	1.60	
	20.00	WP3S2M20E	33.34	98.40	130.20	28.58	38.10	10.00	12.70	65.90	17.50	19.00	32.90	0.72	
205	⁷ / ₈	WP3S214E	1 ⁷ / ₁₆	4	5 ³ / ₈	1 ¹¹ / ₆₄	1 ⁵ / ₈	³ / ₈	⁹ / ₁₆	2 ⁷ / ₈	¹¹ / ₁₆	¹³ / ₁₆	1 ⁹ / ₃₂	1.90	
	¹⁵ / ₁₆	WP3S215E													
	1	WP3S216E	25.00	WP3S2M25E	36.51	101.60	136.50	30.17	41.30	10.00	14.30	73.00	17.50	20.60	32.50
206	1 ¹ / ₈	WP3S218E	1 ¹¹ / ₁₆	4 ⁵ / ₈	6 ⁵ / ₁₆	1 ¹¹ / ₃₂	1 ³ / ₄	¹ / ₂	¹¹ / ₁₆	3 ⁵ / ₁₆	¹⁵ / ₁₆	⁶¹ / ₆₄	1 ²⁹ / ₆₄	2.80	
	1 ³ / ₁₆	WP3S219E													
	1 ¹ / ₄	WP3S2E20E													30.00
207	1 ¹ / ₄	WP3S220E	1 ⁷ / ₈	4 ¹⁵ / ₁₆	6 ³ / ₈	1 ⁹ / ₁₆	1 ⁷ / ₈	¹ / ₂	¹³ / ₁₆	3 ¹¹ / ₁₆	¹³ / ₁₆	1 ⁷ / ₆₄	1 ³⁵ / ₆₄	3.50	
	1 ³ / ₈	WP3S222E													
	1 ⁷ / ₁₆	WP3S223E													35.00
208	1 ¹ / ₂	WP3S224E	2	5 ³ / ₈	7 ¹ / ₁₆	1 ¹¹ / ₁₆	1 ⁷ / ₈	¹ / ₂	¹³ / ₁₆	4	¹⁵ / ₁₆	1 ¹³ / ₆₄	1 ⁴¹ / ₆₄	4.40	
	40.00	WP3S2M40E	50.80	136.50	179.40	42.87	47.60	12.00	20.60	101.60	23.80	30.60	41.70	1.98	
209	1 ⁵ / ₈	WP3S226E	2 ¹ / ₈	5 ⁵ / ₈	7 ¹ / ₄	1 ⁴⁹ / ₆₄	2	¹ / ₂	¹³ / ₁₆	4 ⁵ / ₁₆	⁷ / ₈	1 ¹⁵ / ₆₄	1 ²¹ / ₃₂	5.50	
	1 ¹¹ / ₁₆	WP3S227E													
	1 ³ / ₄	WP3S228E													
210	1 ¹⁵ / ₁₆	WP3S231E	2 ¹ / ₄	6 ³ / ₁₆	7 ⁷ / ₈	1 ⁵¹ / ₆₄	2 ¹ / ₈	⁵ / ₈	⁷ / ₈	4 ¹ / ₂	¹⁵ / ₁₆	1 ¹⁷ / ₆₄	1 ²⁵ / ₃₂	5.80	

Additional Notes

- Please call 1-866-REXNORD for availability
- Lubrication fitting tap size, 1/8" PT
- Base to centerline tolerance, +.000 in/-0.010 in (+0.00 mm/-0.25 mm)
- For the Selection Guide, Load Ratings and Speed Limits, see the Klean-Gard/Dura-Klean Engineering section
- Note: Dimensions subject to change. Certified dimensions of ordered material furnished on request.

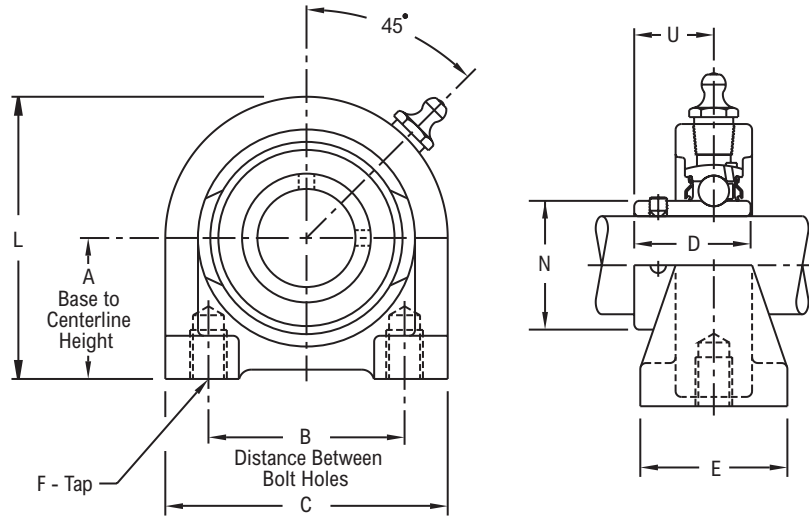
WPT3S200



Photo Shows a 2-Bolt Ball Bearing Tapped Base Pillow Block with Nylon Coated Housing

Product Features

- Corrosion resistant nylon coating
- Cast iron tapped base housing
- Inner & outer rings black oxide coated
- Spring locking setscrew mount
- Alignable & relubricatable
- Prelubricated with food grade grease
- See Features & Benefits for additional info.



Bearing Dimensions

Size Code	Shaft Diameter	Part Number	A Base to Centerline Height	B Distance Between Bolt Holes	C	D	E	F Depth	F Tap	L	N	U	Approx. Weight		
204	$\frac{3}{4}$	WPT3S212E	$1 \frac{5}{16}$	2	$2 \frac{7}{8}$	$1 \frac{1}{8}$	$1 \frac{1}{2}$	$\frac{1}{2}$	3/8-16	$2 \frac{19}{32}$	$1 \frac{1}{8}$	$\frac{3}{4}$	1.30		
	20.00	WPT3S2M20E	33.34	50.80	73.00	28.58	38.10	12.70	3/8-16	65.90	28.600	19.00	0.59		
205	$\frac{7}{8}$	WPT3S214E	$1 \frac{7}{16}$	2	$2 \frac{7}{8}$	$1 \frac{11}{64}$	$1 \frac{1}{2}$	$\frac{1}{2}$	3/8-16	$2 \frac{7}{8}$	$1 \frac{5}{16}$	$\frac{51}{64}$	1.50		
	$\frac{15}{16}$	WPT3S215E													
	1	WPT3S216E	25.00	WPT3S2M25E	36.51	50.80	73.00	29.77	38.10	12.70	3/8-16	73.00	33.300	20.20	0.68
206	$1 \frac{1}{8}$	WPT3S218E	$1 \frac{11}{16}$	3	4	$1 \frac{11}{32}$	$1 \frac{1}{2}$	$\frac{5}{8}$	7/16-14	$3 \frac{5}{16}$	$1 \frac{19}{32}$	$\frac{61}{64}$	2.50		
	$1 \frac{3}{16}$	WPT3S219E													
	$1 \frac{1}{4}$	WPT3S2E20E													
	30.00	WPT3S2M30E												42.86	76.20
207	$1 \frac{1}{4}$	WPT3S220E	$1 \frac{7}{8}$	$3 \frac{1}{4}$	$4 \frac{13}{32}$	$1 \frac{9}{16}$	$1 \frac{7}{8}$	$\frac{3}{4}$	1/2-13	$3 \frac{11}{16}$	$1 \frac{27}{32}$	$1 \frac{7}{64}$	3.60		
	$1 \frac{3}{8}$	WPT3S222E													
	$1 \frac{7}{16}$	WPT3S223E													
	35.00	WPT3S2M35E												47.62	82.55
210	$1 \frac{15}{16}$	WPT3S231E	$2 \frac{1}{4}$	4	$5 \frac{7}{16}$	$1 \frac{13}{16}$	2	$\frac{7}{8}$	5/8-11	$4 \frac{1}{2}$	$2 \frac{15}{32}$	$1 \frac{17}{64}$	5.70		

Additional Notes

- Please call 1-866-REXNORD for availability
- Lubrication fitting tap size, 1/8" PT
- Base to centerline tolerance, +.000 in/-.010 in (**+0.00 mm/-0.25 mm**)
- For the Selection Guide, Load Ratings and Speed Limits, see the Klean-Gard/Dura-Klean Engineering section
- Note: Dimensions subject to change. Certified dimensions of ordered material furnished on request.

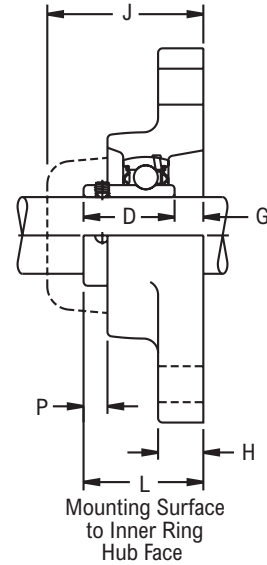
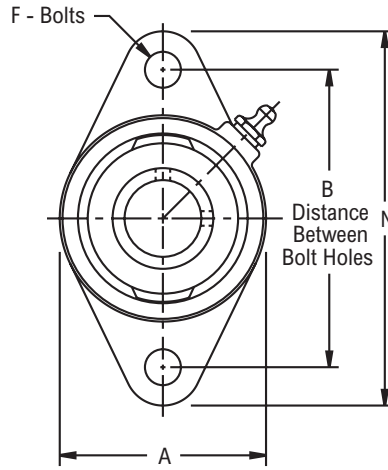
WFX3S200



Photo Shows a 2-Bolt Ball Bearing Flanged Unit with Nylon Coated Housing

Product Features

- Corrosion resistant nylon coating
- Cast iron housing
- Inner & outer rings black oxide coated
- Spring locking setscrew mount
- Alignable & relubricatable
- Prelubricated with food grade grease
- See Features & Benefits for additional info.



Bearing Dimensions

Size Code	Shaft Diameter	Part Number	B Distance Between Bolt Holes	L Mounting Surface to Inner Ring Hub Face	A	D	F	G	H	J	N	P	Approx. Weight	
204	³ / ₄	WFX3S212E	3 ¹⁷ / ₃₂	1 ³¹ / ₆₄	2 ⁷ / ₁₆	1 ¹ / ₈	³ / ₈	²³ / ₆₄	⁹ / ₁₆	2 ¹ / ₆₄	4 ¹³ / ₃₂	⁹ / ₃₂	1.10	
	20.00	WFX3S2M20E	89.69	37.70	61.90	28.58	10.00	9.10	14.30	51.20	111.90	7.10	0.50	
205	⁷ / ₈	WFX3S214E	3 ⁵⁷ / ₆₄	1 ³⁵ / ₆₄	2 ¹¹ / ₁₆	1 ¹¹ / ₆₄	⁷ / ₁₆	³ / ₈	¹⁹ / ₃₂	2	4 ²⁹ / ₃₂	¹⁹ / ₆₄	1.50	
	¹⁵ / ₁₆	WFX3S215E												
	1	WFX3S216E	25.00	WFX3S2M25E	98.82	39.30	68.30	29.77	10.00	9.50	15.10	50.80	124.60	7.50
206	1 ¹ / ₈	WFX3S218E	4 ¹⁹ / ₃₂	1 ⁴⁷ / ₆₄	3 ³ / ₁₆	1 ¹¹ / ₃₂	⁷ / ₁₆	²⁵ / ₆₄	¹⁹ / ₃₂	2 ¹⁵ / ₆₄	5 ¹⁹ / ₃₂	²⁷ / ₆₄	2.20	
	1 ³ / ₁₆	WFX3S219E												
	1 ¹ / ₄	WFX3S2E20E												30.00
207	1 ¹ / ₄	WFX3S220E	5 ¹ / ₈	1 ⁵⁹ / ₆₄	3 ⁵ / ₈	1 ⁹ / ₁₆	¹ / ₂	²³ / ₆₄	⁵ / ₈	2 ²³ / ₆₄	6 ¹ / ₈	³³ / ₆₄	2.70	
	1 ³ / ₈	WFX3S222E												
	1 ⁷ / ₁₆	WFX3S223E												35.00
208	1 ¹ / ₂	WFX3S224E	5 ²¹ / ₃₂	2 ⁵ / ₆₄	4	1 ²¹ / ₃₂	¹ / ₂	²⁷ / ₆₄	⁵ / ₈	2 ³⁵ / ₆₄	6 ²⁵ / ₃₂	¹ / ₂	3.80	
	40.00	WFX3S2M40E	143.67	52.80	101.60	42.06	12.00	10.70	15.90	65.10	172.20	12.70	1.70	
209	1 ⁵ / ₈	WFX3S226E	5 ²⁷ / ₃₂	2 ⁹ / ₆₄	4 ¹ / ₄	1 ⁴⁹ / ₆₄	¹ / ₂	³ / ₈	⁵ / ₈	2 ⁹ / ₁₆	7 ³ / ₃₂	³⁵ / ₆₄	4.40	
	1 ¹¹ / ₁₆	WFX3S227E												
	1 ³ / ₄	WFX3S228E												
210	1 ¹⁵ / ₁₆	WFX3S231E	6 ³ / ₁₆	2 ²⁵ / ₆₄	4 ⁹ / ₁₆	1 ¹³ / ₁₆	⁹ / ₁₆	³⁷ / ₆₄	³ / ₄	2 ⁵⁷ / ₆₄	7 ⁷ / ₁₆	³⁵ / ₆₄	5.60	

Additional Notes

- Please call 1-866-REXNORD for availability
- Lubrication fitting tap size, 1/8" PT
- For the Selection Guide, Load Ratings and Speed Limits, see the Klean-Gard/Dura-Klean Engineering section
- Note: Dimensions subject to change. Certified dimensions of ordered material furnished on request.

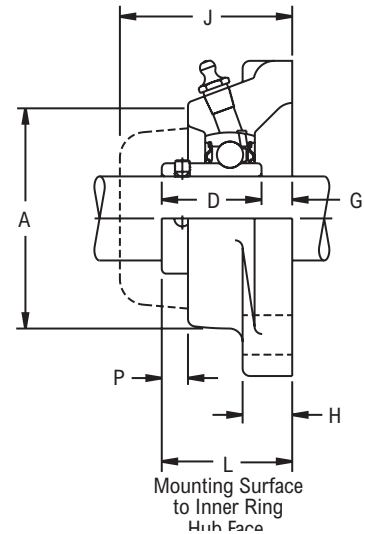
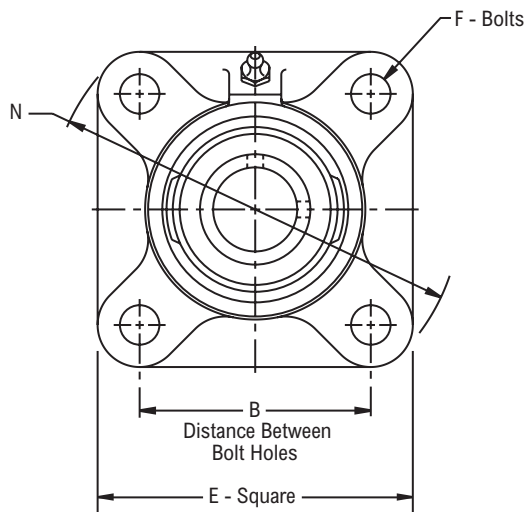
WF3S200



Photo Shows a 4-Bolt Ball Bearing Flanged Unit with Nylon Coated Housing

Product Features

- Corrosion resistant nylon coating
- Cast iron housing
- Inner & outer rings black oxide coated
- Spring locking setscrew mount
- Alignable & relubricatable
- Prelubricated with food grade grease
- See Features & Benefits for additional info



Bearing Dimensions

Size Code	Shaft Diameter	Part Number	B Distance Between Bolt Holes	L Mounting Surface to Inner Ring Hub Face	A	D	E	F	G	H	J	N	P	Approx. Weight
204	$\frac{3}{4}$	WF3S212E	$2\frac{1}{2}$	$1\frac{31}{64}$	$2\frac{7}{16}$	$1\frac{1}{8}$	$3\frac{3}{8}$	$\frac{3}{8}$	$\frac{23}{64}$	$\frac{9}{16}$	$2\frac{1}{64}$	$4\frac{13}{32}$	$\frac{9}{32}$	1.60
	20.00	WF3S2M20E	63.50	37.70	61.90	28.58	85.70	10.00	9.10	14.30	51.20	111.90	7.10	0.72
205	$\frac{7}{8}$	WF3S214E	$2\frac{3}{4}$	$1\frac{35}{64}$	$2\frac{11}{16}$	$1\frac{11}{64}$	$3\frac{3}{4}$	$\frac{7}{16}$	$\frac{3}{8}$	$\frac{19}{32}$	2	$4\frac{29}{32}$	$\frac{19}{64}$	1.90
	$\frac{15}{16}$	WF3S215E												
	1	WF3S216E												
	25.00	WF3S2M25E	69.85	39.30	68.30	29.77	95.20	10.00	9.50	15.10	50.80	124.60	7.50	0.86
206	$1\frac{1}{8}$	WF3S218E	$3\frac{1}{4}$	$1\frac{47}{64}$	$3\frac{3}{16}$	$1\frac{11}{32}$	$4\frac{1}{4}$	$\frac{7}{16}$	$\frac{25}{64}$	$\frac{19}{32}$	$2\frac{15}{64}$	$5\frac{19}{32}$	$\frac{27}{64}$	2.60
	$1\frac{3}{16}$	WF3S219E												
	$1\frac{1}{4}$	WF3S2E20E												
	30.00	WF3S2M30E												
	82.55	82.55	44.00	81.00	34.13	108.00	10.00	9.90	15.10	56.70	142.10	10.70	1.17	
207	$1\frac{1}{4}$	WF3S220E	$3\frac{5}{8}$	$1\frac{59}{64}$	$3\frac{5}{8}$	$1\frac{9}{16}$	$4\frac{5}{8}$	$\frac{1}{2}$	$\frac{23}{64}$	$\frac{5}{8}$	$2\frac{23}{64}$	$6\frac{1}{8}$	$\frac{37}{64}$	3.40
	$1\frac{3}{8}$	WF3S222E												
	$1\frac{7}{16}$	WF3S223E												
	35.00	WF3S2M35E	92.08	48.80	92.10	39.67	117.50	12.00	9.10	15.90	59.90	155.60	14.70	1.53
208	$1\frac{1}{2}$	WF3S224E	4	$2\frac{5}{64}$	4	$1\frac{21}{32}$	$5\frac{1}{8}$	$\frac{1}{2}$	$\frac{27}{64}$	$\frac{5}{8}$	$2\frac{35}{64}$	$6\frac{25}{32}$	$\frac{1}{2}$	4.70
	40.00	WF3S2M40E												
	101.60	101.60	52.80	101.60	42.06	130.20	12.00	10.70	15.90	64.70	172.20	12.70	2.12	
209	$1\frac{5}{8}$	WF3S226E	$4\frac{1}{8}$	$2\frac{9}{64}$	$4\frac{1}{4}$	$1\frac{49}{64}$	$5\frac{3}{8}$	$\frac{1}{2}$	$\frac{3}{8}$	$\frac{5}{8}$	$2\frac{9}{16}$	$7\frac{3}{32}$	$\frac{35}{64}$	5.40
	$1\frac{11}{16}$	WF3S227E												
	$1\frac{3}{4}$	WF3S228E												
	1 ¹⁵ / ₁₆	WF3S231E	$4\frac{3}{8}$	$2\frac{19}{64}$	$4\frac{1}{2}$	$1\frac{13}{16}$	$5\frac{5}{8}$	$\frac{1}{2}$	$\frac{1}{2}$	$\frac{3}{4}$	$2\frac{13}{16}$	$7\frac{7}{16}$	$\frac{9}{16}$	6.20

Additional Notes

- Please call 1-866-REXNORD for availability
- Lubrication fitting tap size, 1/8" PT
- For the Selection Guide, Load Ratings and Speed Limits, see the Klean-Gard/Dura-Klean Engineering section
- Note: Dimensions subject to change. Certified dimensions of ordered material furnished on request.

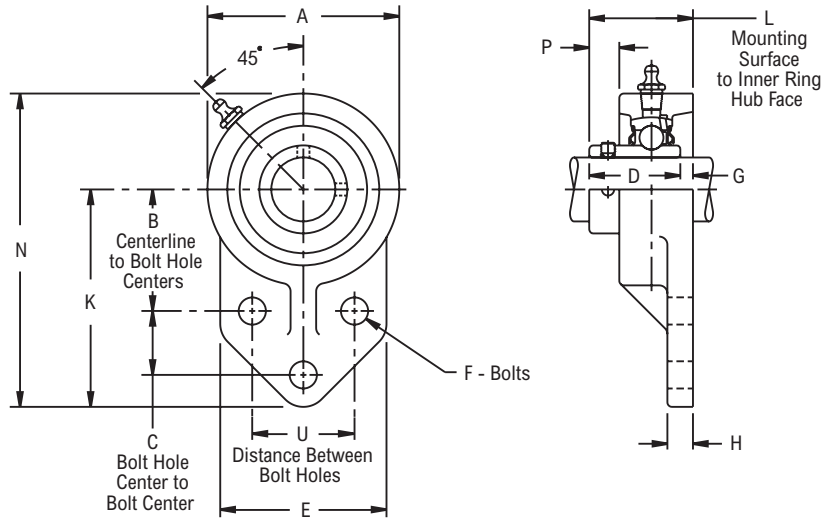
WFB3S200



Photo Shows a 3-Bolt Ball Bearing Flanged Bracket Unit with Nylon Coated Housing

Product Features

- Corrosion resistant nylon coating
- Cast iron housing
- Inner & outer rings black oxide coated
- Spring locking setscrew mount
- Alignable & relubricatable
- Prelubricated with food grade grease
- See Features & Benefits for additional info



Bearing Dimensions

Size Code	Shaft Diameter	Part Number	B Centerline to Bolt Hole Centers	C Bolt Hole Center to Bolt Center	L Mounting Surface to Inner Ring	U Distance Between Bolt Holes	A	D	E	F	G	H	K	N	P	Approx. Weight	
204	$\frac{3}{4}$	WFB3S212E	$1 \frac{11}{16}$	$\frac{7}{8}$	$1 \frac{11}{32}$	$1 \frac{1}{2}$	$2 \frac{1}{2}$	$1 \frac{1}{8}$	$2 \frac{3}{8}$	$\frac{3}{8}$	$\frac{7}{32}$	$\frac{5}{16}$	3	$4 \frac{1}{4}$	$\frac{11}{32}$	1.20	
	20.00	WFB3S2M20E	42.90	22.20	34.10	38.10	63.50	28.58	60.30	10.00	5.50	7.90	76.20	108.00	8.70	0.54	
205	$\frac{7}{8}$	WFB3S214E	$1 \frac{13}{16}$	$1 \frac{1}{8}$	$1 \frac{29}{64}$	$1 \frac{5}{8}$	$2 \frac{3}{4}$	$1 \frac{11}{64}$	$2 \frac{1}{2}$	$\frac{3}{8}$	$\frac{9}{32}$	$\frac{3}{8}$	$3 \frac{3}{8}$	$4 \frac{3}{4}$	$\frac{19}{64}$	1.70	
	$\frac{15}{16}$	WFB3S215E															
	1	WFB3S216E	25.00	WFB3S2M25E	46.00	28.60	38.90	41.30	69.80	29.77	63.50	10.00	7.10	9.50	85.70	120.60	7.50
206	$1 \frac{1}{8}$	WFB3S218E	$2 \frac{1}{16}$	$1 \frac{1}{4}$	$1 \frac{5}{8}$	$1 \frac{7}{8}$	$3 \frac{1}{4}$	$1 \frac{11}{32}$	$2 \frac{3}{4}$	$\frac{3}{8}$	$\frac{9}{32}$	$\frac{3}{8}$	$3 \frac{3}{4}$	$5 \frac{3}{8}$	$\frac{3}{8}$	2.20	
	$1 \frac{3}{16}$	WFB3S219E															
	$1 \frac{1}{4}$	WFB3S2E20E															30.00
207	$1 \frac{1}{4}$	WFB3S220E	$2 \frac{3}{8}$	$1 \frac{1}{4}$	$1 \frac{59}{64}$	2	$3 \frac{3}{4}$	$1 \frac{9}{16}$	$3 \frac{1}{4}$	$\frac{1}{2}$	$\frac{23}{64}$	$\frac{1}{2}$	$4 \frac{1}{4}$	$6 \frac{1}{8}$	$\frac{31}{64}$	3.20	
	$1 \frac{3}{8}$	WFB3S222E															
	$1 \frac{7}{16}$	WFB3S223E															35.00

Additional Notes

- Please call 1-866-REXNORD for availability
- Lubrication fitting tap size, $\frac{1}{4}$ "-28 UNF
- For the Selection Guide, Load Ratings and Speed Limits, see the Klean-Gard/Dura-Klean Engineering section
- Note: Dimensions subject to change. Certified dimensions of ordered material furnished on request.

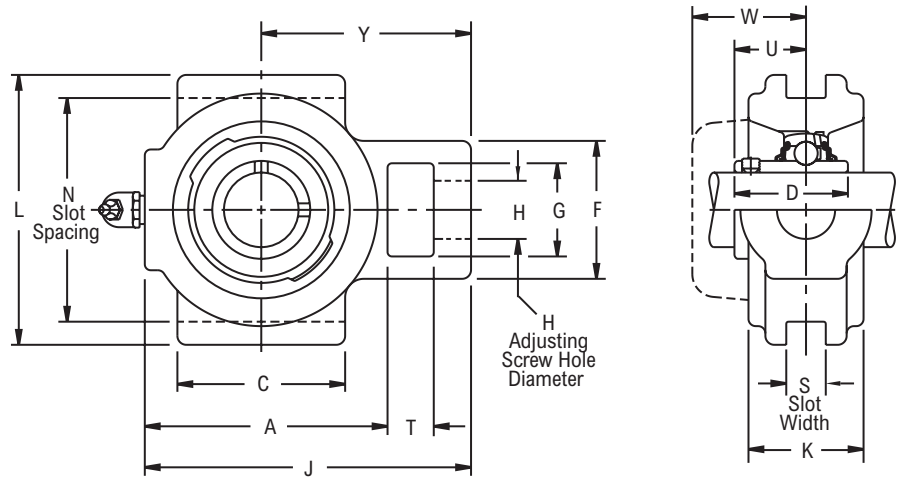
WTH3S200



Photo Shows a Ball Bearing Take-Up Unit with Nylon Coated Housing

Product Features

- Corrosion resistant nylon coating
- Cast iron housing
- Inner & outer rings black oxide coated
- Spring locking setscrew mount
- Alignable & relubricatable
- Prelubricated with food grade grease
- See Features & Benefits for additional info



Bearing Dimensions

Size Code	Shaft Diameter	Part Number	H Adjusting Screw Hole Diameter	N Slot Spacing	S Slot Width	A	C	D	F	G	J	K	L	T	U	W	Y	Approx. Weight
204	3/4	WTH3S212E	3/4	3.000	0.531	2 ²⁷ / ₃₂	2 1/4	1 1/8	1 7/8	1 1/4	3 31/32	1 1/16	3 5/8	5/8	3/4	1 5/16	2 21/32	2.40
	20.00	WTH3S2M20E	19.00	76.200	13.490	72.20	57.20	28.58	47.60	31.80	100.80	27.00	92.10	15.90	19.00	33.30	67.50	1.10
205	7/8	WTH3S214E	3/4	3.000	0.531	2 ²⁹ / ₃₂	2 1/4	1 11/64	1 27/32	1 1/4	4 1/32	1 3/32	3 5/8	5/8	51/64	1 5/16	2 21/32	2.70
	15/16	WTH3S215E																
	1	WTH3S216E																
	25.00	WTH3S2M25E																
206	1 1/8	WTH3S218E	7/8	3.500	0.531	3 11/32	2 1/2	1 11/32	2 3/16	1 7/16	4 15/32	1 3/32	4 1/8	5/8	61/64	1 29/64	2 27/32	3.20
	1 3/16	WTH3S219E																
	1 1/4	WTH3S2E20E																
	30.00	WTH3S2M30E																
207	1 1/4	WTH3S220E	7/8	3.500	0.531	3 11/16	2 3/4	1 9/16	2 5/16	1 7/16	4 13/16	1 3/16	4 1/8	5/8	1 7/64	1 35/64	2 31/32	4.00
	1 3/8	WTH3S222E																
	1 7/16	WTH3S223E																
	35.00	WTH3S2M35E	22.20	88.900	13.490	93.70	69.80	39.67	58.70	36.50	122.20	30.20	104.80	15.90	28.20	39.30	75.40	1.80
208	1 1/2	WTH3S224E	1 1/8	3.969	0.688	4 3/16	3 1/4	1 21/32	2 27/32	1 15/16	5 9/16	1 5/16	4 3/4	3/4	1 11/64	1 41/64	3 15/32	5.30
	40.00	WTH3S2M40E	28.60	100.810	17.480	106.40	82.60	42.06	72.20	49.20	141.30	33.30	120.60	19.00	29.80	41.70	88.60	2.38
209	1 5/8	WTH3S226E	1 1/8	3.969	0.688	4 3/16	3 1/4	1 49/64	2 7/8	1 15/16	5 9/16	1 3/8	4 3/4	3/4	1 15/64	1 21/32	3 15/32	5.30
	1 11/16	WTH3S227E																
	1 3/4	WTH3S228E																
	1 15/16	WTH3S231E	1 1/8	3.969	0.688	4 9/16	3 3/8	1 13/16	2 7/8	1 15/16	5 15/16	1 43/64	4 3/4	3/4	1 17/64	1 25/32	3 19/32	6.60

Additional Notes

- Please call 1-866-REXNORD for availability
- Lubrication fitting tap size, 1/8" PT
- For the Selection Guide, Load Ratings and Speed Limits, see the Klean-Gard/Dura-Klean Engineering section
- Note: Dimensions subject to change. Certified dimensions of ordered material furnished on request.



Industries Served
Aggregates
Agriculture
Air Handling
Package Handling
Construction
Shipping

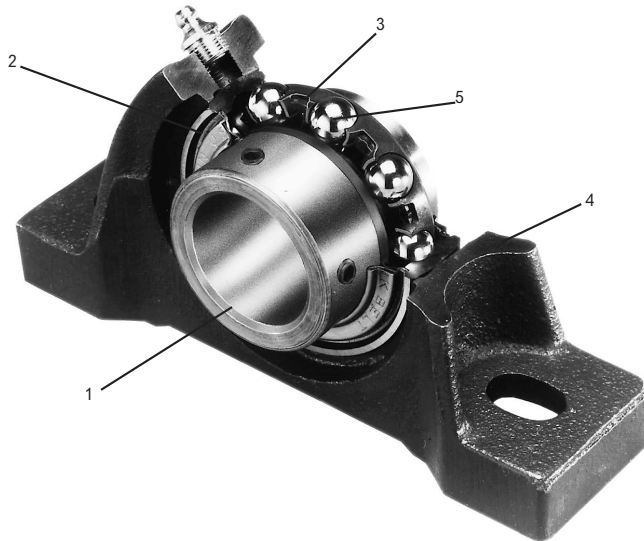
Link-Belt 200 Series Standard & Intermediate Duty Ball Bearings

Series 200 standard and intermediate duty ball bearing units provide a versatility of application arrangements for carrying shafts with radial or combination radial and thrust loads. They are designed for general purpose industrial machinery, conveyors, chain and belt drives, fans and blowers, power transmission and many other applications.

Collar Mounted Ball Bearings

Series CL200, U200, S200, W200, Y200 collar mounted or spring locking ball bearings, and round, square and hex bore ball bearings provide economic and versatile arrangements for supporting shafts, especially with the 2-piece formed steel flanged housings.

These product lines are designed for light industrial applications, agricultural machinery, lawn and garden equipment, recreational vehicles and other applications.



1. Inner Ring

Extended or wide inner ring for moderate or high stability and load support.

2. Choice of Locking Device

Choice of Centrik-lok locking device, eccentric cam locking collar or spring locking or spring locking collar with set screws to lock inner ring securely to shaft.

3. Choice of Seal Type

Choice of steel-clad type H labyrinth seal, type N single lip seal or type E3 triple lip seal. W200 & S200 series have the type E single lip seal only available.

4. One-piece Housing

Compact one-piece housing provides excellent mounting support.

5. Precision Ball Bearing

Alignable precision deep groove ball bearing manufactured of quality alloy bearing steel provides high capacity and long life.

1. Precision Ball Bearing

Precision deep groove ball bearings or quality alloy bearing steel provide high capacity and long life.

2. Choice of Locking Device

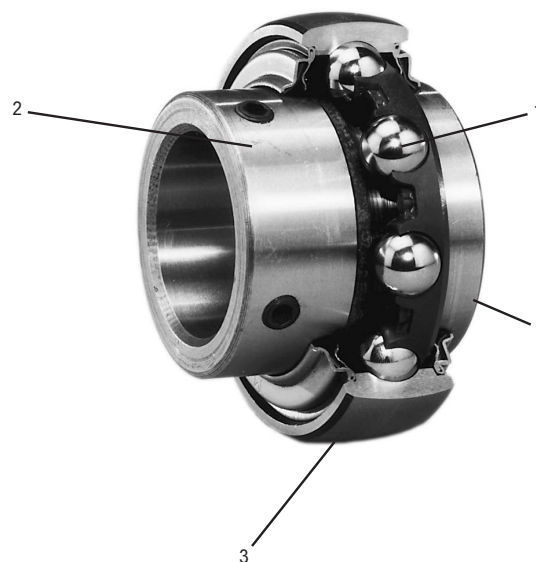
Choice of Centrik-lok locking device, eccentric cam locking collar or spring locking or spring locking collar with set screws to lock inner ring securely to shaft.

3. Optional Features

Optional features such as spherical or cylindrical O.D.'s, relubricatable or non-relubricatable.

4. Inner Ring Options

Extended or wide inner rings to meet diverse application requirements.



Wide and Extended Inner Ring Ball Bearings

Centrik-Lok CL

Precision alignable ball bearings of deep groove construction for high capacity and high precision applications. Centrik-Lok device securely locks the bearing to the shaft. This method of locking provides excellent holding power and also centers the shaft in the bearing. It eliminates shaft damage because setscrews don't contact the shaft making bearing removal easier. The C200 wide inner ring furnishes increased shaft support and accommodates wider seals for extra lubricant capacity.



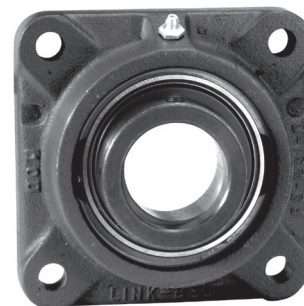
Spring Locking

Precision alignable ball bearings of deep groove construction for high capacity and high precision applications. Spring locking collar or set screw locking securely locks the bearing to the shaft. The U200 wide inner ring furnishes increased shaft support and accommodates wider seals for extra lubricant capacity.



Eccentric Cam Locking Collars

Precision alignable ball bearings of deep groove construction. Eccentric cam locking collars hold the bearings securely to the shaft and further tightens with bearing rotation. The Y200 wide inner ring provides increased shaft support and accommodates wide seals for extra lubricant capacity.



One-piece Housings

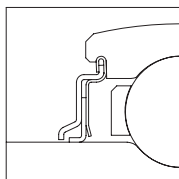
Rugged one-piece precision machined housings of many types provide a versatility of mounting arrangement and facilitate installation. All mounting surfaces are fully machined and all housings provide for easy bearing relubrication. Grease flows through the fitting into a machined grease groove and through the lubricant holes of the outer ring directly into the bearing chamber between the seals. Pillow blocks have slotted bolt holes with ample space provided for drilling dowel pin holes. Flanged units have drilled mounting holes. Take up units have machined slots for accurate adjustment.

Steel Clad Seals

All bearing type seals are crimped tightly in the bearing outer rings with steel members and cannot be blown out during relubrication.

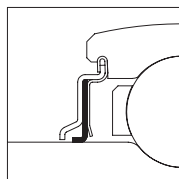
Type H Multi-labyrinth Seal

This seal has contoured external trash guard is an excellent all purpose low friction seal for grease lubrication.



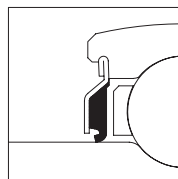
Type N Lip Seals

These seals have the same contoured external trash guard for maximum lip protection and a full land riding lip for grease retention and dirt exclusion. These seals ride on a precision ground surface of the bearing inner ring for smooth operation and tightness.



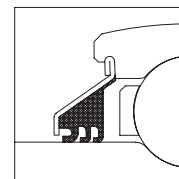
Type E Molded Lip Seal

The type E seal has external trash guard for maximum lip protection and a full land riding lip for grease retention and dirt exclusion.



Type E3 Triple Lip Seal

This seal is a tight high torque seal for ultimate dirt exclusion. It has an external trash guard to protect the precision die molded lip members.



200 Series Nomenclature

Symbol	Description	PL	3	U	2	E	20	H	C	K75
F	Flanged unit, 3 and 4-bolt									
FB	Flanged bracket unit, 3-bolt									
FF	Flanged screw conveyor unit, 4-bolt									
FC	Flanged cartridge unit, 4-bolt round									
FX	Flanged unit, 2-bolt									
FR	Flanged unit, 3 and 4-bolt inboard mounting									
FXR	Flanged unit, 2-bolt inboard mounting									
HM	Hanger screw conveyor unit									
P	Pillow block, standard backing									
PH	Pillow block, high backing									
PL	Pillow block, low backing									
PS	Pillow block, formed steel housing									
PT	Pillow block, tapped base									
T	Take-up, standard slot									
TH	Take-up, wide slot									
TAS	Conveyor take-up, formed steel frame									
TDS	Conveyor take-up, hinged top, welded steel frame									
NT	Conveyor take-up, welded channel frame									
3	Integral bearing seals									
CL	Wide inner ring, Centrik-Lok collar									
S	Extended inner ring, spring locking									
U	Wide inner ring, spring locking									
Y	Wide inner ring, eccentric cam locking collar									
W	Extended inner ring, eccentric cam locking collar									
None	Non-relubricatable bearing									
G	Relubricatable bearing									
2	Series 200 ball bearing designation									
B	Inner ring bore equal to a bore of preceding smaller bearing group									
E	Inner ring bore equal to a bore of following larger bearing group									
20	Shaft size in sixteenths of an inch									
M30	Shaft size, metric series in millimeters									
J	Steel retainers									
E3	Triple lip seals									
E	Molded single lip seals									
H	Floating labyrinth seals									
N	Single lip seals									
C	Closed end unit									
K75	Nickel plated housing									
18	Take-up adjustment, inches									

200 Series Collar Unmounted Ball Bearings Nomenclature

Symbol	Description	U	B	G	2	E	20	H	L
CL	Wide Inner Ring, Centrik-Lok Collar								
S	Extended inner ring, spring locking								
U	Wide inner ring, spring locking								
Y	Wide inner ring, eccentric cam locking collar								
W	Extended inner ring, eccentric cam locking collar								
None	O.D. of outer ring is spherical								
B	O.D. of outer ring is cylindrical								
None	Non-relubricatable bearing								
G	Relubricatable bearing								
2	Series 200 ball bearing designation								
B	Inner ring bore equal to a bore of preceding smaller bearing group								
E	Inner ring bore equal to a bore of following larger bearing group								
20	Shaft size in sixteenths of an inch								
M30	Shaft size, metric series in millimeters								
E3	Triple lip seals								
E	Molded single lip seals								
H	Floating labyrinth seals								
N	Single lip seals								
L1	Bearing without collar								
L	Bearing with collar & setscrews								

Hex, Round and Square Bore Ball Bearings Nomenclature

Symbol	Description	31	R	B	G	3	-	2	10	E3
None	Bore is basic metric size									
31	Shaft size in sixteenths of an inch									
R	Bearing bore is round									
S	Bearing bore is square									
K	Bearing bore is hex									
None	O.D. of outer ring is spherical									
B	O.D. of outer ring is cylindrical									
None	Non-relubricatable									
G	Relubricatable (two holes in outer ring @ 180°)									
None	Metric width outer ring; basic inch width inner ring									
2	Basic inch width outer ring; intermediate inch width inner ring									
3	Basic inch width outer ring; basic inch width inner ring									
4	Basic inch width outer ring; unground spherical O.D. with flat ground cylindrical center; intermediate inch width inner ring									
5	Metric width outer ring; intermediate inch width inner ring									
6	Basic inch width outer ring; wide inch width inner ring									
7	Wide metric width outer ring; intermediate inch width inner ring									
8	Wide metric width outer ring; wide inch width inner ring									
2	Series 200 ball bearing designation									
E	Bore is .031 inch oversize									
10	One fifth of basic mm bore size									
None	Non-metallic retainer									
J	Formed steel retainer, two-piece									
N	Single lip seals									
E3	Triple lip seals									

Seal Selection Guide

The choice of the seal for a mounted bearing is often the key to successful bearing operation and long service life. The Seal Selection Guide incorporates years of Link-Belt's experience against the wide variety of conditions encountered on actual applications. Following the simple selection procedure outlined can translate the benefits of that broad experience to the individual applications through the choice of the most effective seal.

How to Use the Selection Guide

- The appropriate seal for a given application may be selected by comparing the job application conditions against those listed in the Seal Rating Guide on this page.
- When more than one application condition is present, the most appropriate seal may be selected based on prime sealing for the most detrimental condition, and secondary consideration given to the other application conditions.
- If further evaluation of the seals must be made, then refer to the General Design and Characteristic Guide
- Addition of auxiliary caps will enhance the primary seal performance shown in the chart.

Considerations in Addition to Seal Selection

Under certain adverse conditions, other changes should be considered to achieve maximum bearing life:

- High temperature lubricants where housing or ambient temperatures exceed +200°F,
- Special greases for additional bearing protection where excessive water, solvents or chemicals are present.
- EP (extreme pressure) greases where high load, high shock load, or continuous vibration is present.
- Readjustment of internal operating clearance of bearing where extreme high or low temperature conditions exist.

Seal Rating Guide

Application Conditions	Seal Ratings			
	Clearance H	Single Lip E	Single Lip N	Triple Lip E3
Shaft position				
Horizontal Shaft	4	4	4	4
Vertical Shaft	1	4	4	4
Operating Temperature				
Below -40°F	4	1	1	1
-40°F to 0°F	4	3	3	3
0°F to +250°F	4	4	4	4
+250°F to +400°F	4	0	0	0
Over 400°F	4	0	0	0
Speed				
Equal to / Less than limit below	4	4	4	4
More than limit below	4	1	1	1
Vibration/Shock				
Occasional - Mild	3	4	4	4
Occasional - Severe	2	4	4	4
Continuous - Mild	1	3	3	3
Continuous - Severe	0	3	3	3
Abrasive Material				
Coarse - Over #10 Mesh	4	4	4	4
Small - #10 to #50 Mesh	3	4	4	4
Fine - #50 to #200 Mesh	1	3	3	4
Very fine - Under #200 Mesh	0	3	3	4
"Caking or buildup" (cement, etc.)	2	3	3	4
Moisture				
Splash	2	4	4	4
Rain	2	4	4	4
Saturated Atmosphere	1	4	4	4
Flooding	0	3	3	4
Pressure Wash	0	3	3	4
Fibrous Material				
Short Fibers (lint, etc.)	1	3	3	4
Long Fibers (grass, etc.)	1	3	3	4
Chemical				
Acid Fumes and Liquids	1	1	1	1
Alkaline Fumes and Liquids	1	1	1	1

Rating Code

- 4 - Excellent - Best seal for conditions listed.
- 3 - Good - Sealability is above average.
- 2 - Fair - Seal performs under intermittent conditions.
- 1 - Limited - Actual conditions must be known to evaluate sealability. Check "General Characteristic Guide" for construction as well as benefits and limitations for further evaluation.
- 0 - Not acceptable - Will not effectively perform seal functions. Contact Rexnord for special assistance in the realm of materials and designs.

Seal Speed Limit Table*

Size Code	203	204	205	206	207	208	209	210	211	212	213	215	217	220
Bearing Series	CL	212	214	218	220	226	230	232	236					
			215	219	222	224	227	231	235	238				
	Y	212	214	218	220	226	230	232	236					
			215	219	222	224	227	231	235	238				
			216	2E20	223	228	2E32	2E36	239					
U	212	214	218	220	226	231	232	236	240	244	255	263		
		215	219	222	224	227	231	235	238	243	247	2E56	2E64	
W	212	214	218	220	226	231								
		215	219	222	224	227	2E32							
S	212	214	218	220	226	231								
		215	219	222	224	227	231							
(RPM)	H	12000	10000	9600	8000	6850	6000	5330	4800	4360	4000	N/A	N/A	N/A
	E	9000	7500	6800	5600	4800	4500	4000	3600	N/A	N/A	N/A	N/A	N/A
	N	12000	10000	9600	8000	6850	6000	5330	4800	4360	4000	3850	3300	2950
	E3	N/A	N/A	1000	N/A	700	650	600	550	500	450	400	350	300
Size Code	203	204	205	206	207	208	209	210	211	212	213	215	217	220

Refer to Seal Rating Guide shown above for speeds in excess of those listed in this table.

* Actual bearing speed limits are largely based upon the applied load and can be found on the Load Rating Table.

Series 200 Ball Bearings Selection Guide

To select a bearing, determine the applied radial load, the applied thrust load, the desired Rating Life, and applicable operating conditions. The procedure shown here will aid in selecting a bearing to meet an L_{10} design life. The formulas for calculating life expectancy should be used to determine the Rating Life L_{10} for the bearing selected.

The selection procedures and rating formulas shown here are in agreement with The American Bearing Manufacturers Association Standards and ANSI/ABMA Standards STD 9-1990. Ratings are based on fatigue life. The Rating Life or fatigue life at 90% reliability is the usual basis for bearing selection.

Steps for Selection

Step 1

Determine an appropriate L_{10} design life.

Type of service	Operating time, hours per year	Design life, years	L_{10} design life, hours
Light seasonal usage	500 to 750	3-5	3,000
Heavy seasonal usage	1,400 to 1,600	4-6	8,000
Industrial—8 hour shift	2,000	10	20,000

Step 2

Determine a required $\left(\frac{C}{P}\right)$ from Table 1.

Step 3

Calculate the required C and select a ball bearing.

a For radial load only:

$$P = F_r$$

$$\text{required } C = \left(\frac{C}{P}\right)P \text{ using } \left(\frac{C}{P}\right) \text{ from Step 2}$$

Select a ball bearing from Table 3 with a basic load rating C equal to or greater than the required C.

b For combined radial and thrust loads when $\frac{F_a}{F_r}$ is 0.19 or less:

$$P = F_r$$

$$\text{required } C = \left(\frac{C}{P}\right)P \text{ using } \left(\frac{C}{P}\right) \text{ from Step 2}$$

Select a ball bearing from Table 3 with a basic load rating C equal to or greater than the required C.

Series C200, U200, Y200, and hex, square and round bore bearings have wide inner rings for load support; however, the S200 and W200 series are extended on one side only for compactness and low cost. In combination with its companion line of economically designed housings, this series is applicable to light or moderate duty requirements. Where non-relubricatable bearings are used, bearing life is often limited by grease life, which is in turn affected by operating conditions. Also, economically designed housings must be applied within proportionate load limits. To assure a satisfactory bearing application, fitting practice, mounting, lubrication, sealing, static rating, housing strength, operating conditions and maintenance must be considered.

Step 3 (continued)

c For combined radial and thrust loads when $\frac{F_a}{F_r}$ is greater than 0.19, use the following trial method:

$$\text{Maximum } P = .56F_r + 2.30F_a$$

$$\text{Maximum required } C = \left(\frac{C}{P}\right)P \text{ using } \left(\frac{C}{P}\right) \text{ from Step 2}$$

Select a trial ball bearing with a basic load rating C from Table 3 approximately equal to the maximum required C.

With this trial bearing calculate: $\frac{F_a}{Nd^2}$

Determine X and Y from Table 2.

Calculate P for the trial bearing.

$$P = XF_r + YF_a$$

$$\text{required } C = \left(\frac{C}{P}\right)P \text{ for the trial bearing using } \left(\frac{C}{P}\right) \text{ from Step 2}$$

Consult Table 3, basic load rating. If a smaller bearing meets or nearly meets the required C, its life expectancy can be calculated. Note: If the load P is greater than .25C for series C200, U200, Y200, hex, square, and round bore bearings or greater than .15C for series S200 and W200, consult Rexnord Bearing Products.

Selection

Symbols for formulas:

C = basic load rating, pounds (or newtons)

Co = static load rating, pounds (or newtons)

e = a reference value

Fa = thrust load, pounds (or newtons)

Fr = radial load, pounds (or newtons)

L10 = rating life, hours

n = speed, revolutions per minute

P = equivalent radial load, pounds (or newtons)

X = radial factor

Y = thrust factor

Table 1 • Relation of L10 life and speed to $\left(\frac{C}{P}\right)$

Bearing life, hours L10	$\left(\frac{C}{P}\right)$ ratio									
	Speed, n									
	50	100	200	300	400	500	600	700	800	
3000	2.08	2.62	3.30	3.77	4.15	4.47	4.75	5.01	5.23	
4000	2.29	2.88	3.63	4.15	4.57	4.92	5.23	5.51	5.76	
5000	2.46	3.10	3.91	4.47	4.92	5.30	5.64	5.93	6.20	
6000	2.62	3.30	4.15	4.75	5.23	5.64	5.99	6.30	6.59	
8000	2.88	3.63	4.57	5.23	5.76	6.20	6.59	6.94	7.25	
10000	3.10	3.91	4.92	5.64	6.20	6.68	7.10	7.47	7.81	
12000	3.30	4.15	5.23	5.99	6.59	7.10	7.54	7.94	8.30	
14000	3.47	4.37	5.51	6.30	6.94	7.47	7.94	8.36	8.74	
16000	3.63	4.57	5.76	6.59	7.25	7.81	8.30	8.74	9.14	
18000	3.77	4.75	5.99	6.86	7.54	8.13	8.63	9.09	9.50	
20000	3.91	4.92	6.20	7.10	7.81	8.42	8.94	9.41	9.84	
25000	4.21	5.30	6.68	7.65	8.42	9.07	9.63	10.1	10.6	
30000	4.47	5.64	7.10	8.13	8.94	9.63	10.2	10.8	11.3	
35000	4.71	5.93	7.47	8.55	9.41	10.1	10.8	11.3	11.9	
40000	4.92	6.20	7.81	8.94	9.84	10.6	11.3	11.9	12.4	
45000	5.12	6.45	8.13	9.30	10.2	11.0	11.7	12.3	12.9	
50000	5.30	6.68	8.42	9.63	10.6	11.4	12.1	12.8	13.4	
60000	5.64	7.10	8.94	10.2	11.3	12.1	12.9	13.6	14.2	
70000	5.93	7.47	9.41	10.8	11.9	12.8	13.6	14.3	14.9	
80000	6.20	7.81	9.84	11.3	12.4	13.4	14.2	14.9	15.6	
90000	6.45	8.13	10.2	11.7	12.9	13.9	14.8	15.5	16.2	
100000	6.68	8.42	10.6	12.1	13.4	14.4	15.3	16.1	16.8	
150000	7.65	9.63	12.1	13.9	15.3	16.5	17.5	18.4	19.3	
200000	8.42	10.6	13.4	15.3	16.8	18.1	19.3	20.3	21.2	
	Speed, n									
	900	1000	1200	1500	1800	2400	3600	6000	10000	
3000	5.44	5.64	5.99	6.45	6.86	7.54	8.63	10.2	12.1	
4000	5.99	6.20	6.59	7.10	7.54	8.30	9.50	11.3	13.4	
5000	6.45	6.68	7.10	7.65	8.13	8.94	10.2	12.1	14.4	
6000	6.86	7.10	7.54	8.13	8.63	9.50	10.9	12.9	15.3	
8000	7.54	7.81	8.30	8.94	9.50	10.5	12.0	14.2	16.8	
10000	8.13	8.42	8.94	9.63	10.2	11.3	12.9	15.3	18.1	
12000	8.63	8.94	9.50	10.2	10.9	12.0	13.7	16.2	19.3	
14000	9.09	9.41	10.0	10.8	11.4	12.6	14.4	17.1	20.3	
16000	9.50	9.84	10.5	11.3	12.0	13.2	15.1	17.9	21.2	
18000	9.88	10.2	10.9	11.7	12.4	13.7	15.7	18.6	22.0	
20000	10.2	10.6	11.3	12.1	12.9	14.2	16.2	19.3	22.8	
25000	11.0	11.4	12.1	13.1	13.9	15.3	17.5	20.7	24.6	
30000	11.7	12.1	12.9	13.9	14.8	16.2	18.6	22.0	26.1	
35000	12.3	12.8	13.6	14.6	15.5	17.1	19.6	23.2	27.5	
40000	12.9	13.4	14.2	15.3	16.2	17.9	20.5	24.3	28.7	
45000	13.4	13.9	14.8	15.9	16.9	18.6	21.3	25.2	29.9	
50000	13.9	14.4	15.3	16.5	17.5	19.3	22.0	26.1	31.0	
60000	14.8	15.3	16.2	17.5	18.6	20.5	23.4	27.8	32.9	
70000	15.5	16.1	17.1	18.4	19.6	21.5	24.6	29.2	34.6	
80000	16.2	16.8	17.9	19.3	20.5	22.5	25.8	30.5	36.2	
90000	16.9	17.5	18.6	20.0	21.3	23.4	26.8	31.8	37.7	
100000	17.5	18.1	19.3	20.7	22.0	24.3	27.8	32.9	39.0	
150000	20.0	20.7	22.0	23.7	25.2	27.8	31.8	37.7	44.6	
200000	22.0	22.8	24.3	26.1	27.8	30.5	35.0	41.4	49.1	

Basic formula

$$\left(\frac{C}{P}\right) = \left(\frac{L_{10} \times n \times 60}{1,000,000}\right)^{1/3}$$

$$L_{10} = \frac{\left(\frac{C}{P}\right)^3 \times 1,000,000}{n \times 60}$$

Life Expectancy

To calculate the Rating Life L10 of any selected or trial bearing:

Step 1 Determine the equivalent radial load P.

a For radial load only:
P = Fr

b For combined radial and thrust load:
P = XFr + YFa using X and Y from Table 2 below.

Step 2 Calculate the ratio of basic load rating C to the equivalent radial load.

$$\left(\frac{C}{P}\right)$$

Step 3 Approximate the bearing life from Table 1.

Table 2 • X and Y factors for ball bearings

Fa Nd ²	e	Fa Fr ≤ e		Fa Fr > e	
		X	Y	X	Y
25	.19	1.0	0	.56	2.30
37.5	.21	1.0	0	.56	2.15
50	.22	1.0	0	.56	1.99
75	.24	1.0	0	.56	1.85
100	.26	1.0	0	.56	1.71
125	.27	1.0	0	.56	1.63
150	.28	1.0	0	.56	1.56
200	.30	1.0	0	.56	1.45
300	.34	1.0	0	.56	1.31
500	.38	1.0	0	.56	1.15
750	.42	1.0	0	.56	1.04
1000	.44	1.0	0	.56	1.00

For values between those in the table linear interpolation can be used.

Life Adjustment

The Rating Life, L10, may be modified for some applications in accordance with the formula

$$L_n = a_1 a_2 a_3 L_{10}$$

where Ln = Adjusted life for (100-n) % reliability,

a1 = Life adjustment factor for reliability

a2 = Life adjustment factor for material and processing

a3 = Life adjustment factor for operating conditions.

For most normal applications, all factors will be taken as 1, and the Rating Life used as the selection basis or life estimate. In addition, as long as standard catalog bearings are used, a2 will be normally set equal to one. The factor a3 covers such things as lubrication, misalignment, and temperature. Some conditions that could yield a3 significantly different than unity include speeds less than 20000 DN or greater than 200000 DN, temperatures below -40°F (-40°C) or above 275°F (135°C). For other possible conditions, as well as additional information on life adjustment factors, consult Rexnord Bearing Products.

Table 3 • Load Ratings, Speed Limits and Ball Data

Size Code	Co Static load rating		C Basic load rating		C Basic load rating Centrik-Lok CL		Approximate speed limit RPM*			d Ball diameter	N Number of balls	Nd2
	newtons	pounds	newtons	pounds	newtons	pounds	E Seals‡	N & H Seals	E3 Seals	inches		
203	4490	1110	8100	1820	9000	12000	...	19/64	7	.617
204	6590	1480	9830	2210	10900	2450	7500	10000	...	5/16	8	.781
205	7830	1760	10810	2430	11920	2680	6800	9600	1000	5/16	9	.879
206	11300	2530	15030	3380	16550	3720	5600	8000	...	3/8	9	1.27
207	15300	3440	19880	4470	21840	4910	4800	6850	700	7/16	9	1.72
208	19900	4460	25100	5640	24700	5550	4500	6000	650	1/2	9	2.25
209	20400	4590	25220	5670	27800	6250	4000	5330	600	1/2	9	2.25
210	23200	5220	27090	6090	29350	6600	3600	4800	550	1/2	10	2.5
211	29200	6570	33540	7540	36920	8300	...	4360	500	9/16	10	3.16
212	36000	8080	40520	9110	44620	10030	...	4000	450	5/8	10	3.91
213	40100	9010	44220	9940	3850	400	21/32	10	4.31
215	49200	11100	51600	11600	3300	350	11/16	11	5.2
217	63600	14300	64500	14500	2950	300	25/32	11	6.71
220	92900	20900	94300	21200	2500	...	1	10	10.0

If the load P is greater than .15C for S200 and W200 or .25C all others, consult Rexnord Bearing Division.

* Based on grease lubrication and moderate load.

‡ E seals operation at higher speeds up to H seal speed limit is allowable providing the lip seal friction does not result in operating temperatures over 225°F (107°C).

Table 4 • Radial load ratings in pounds at various RPM for appropriate L₁₀ life hours

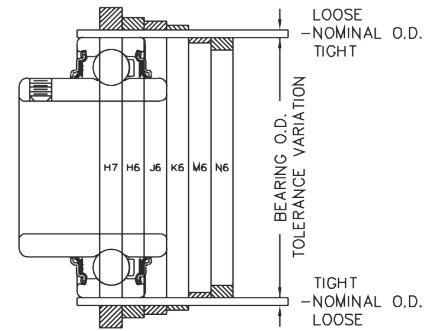
Bearing Size Number			Radial Load Ratings, Pounds																	
Y200 U200 W200 S200	Size Code	L ₁₀ Minimum life, hours	Speed, RPM																	
			50	100	200	300	400	500	600	700	800	900	1000	1200	1500	1800	2000	2500	3000	3500
2B08	203	8000	397	347	315	293	276	262	250	241	232	219	203	191	184	171	161	153
210		20000	...	369	293	256	232	216	203	193	184	177	171	161	150	141	136	126	119	113
211		40000	369	293	232	203	184	171	161	153	146	141	136	128	119	112	108	100	94	90
2M17		100000	272	216	171	150	136	126	119	113	108	104	100	94	87	82	79	74	69	66
212	204	8000	483	422	383	356	335	318	304	292	282	266	247	232	224	208	196	186
2M20		20000	...	448	356	311	282	262	247	234	224	215	208	196	182	171	165	153	144	137
		40000	448	356	282	247	224	208	196	186	178	171	165	155	144	136	131	122	114	109
		100000	330	262	208	182	165	153	144	137	131	126	122	114	106	100	97	90	84	80
214	205	8000	531	464	421	391	368	350	334	321	310	292	271	255	246	229	215	204
215		20000	...	493	391	342	310	288	271	258	246	237	229	215	200	188	181	168	159	151
216		40000	493	391	310	271	246	229	215	204	196	188	181	171	159	149	144	134	126	120
2M25		100000	363	288	229	200	181	168	159	151	144	139	134	126	117	110	106	99	93	88
218	206	8000	738	645	586	544	512	486	465	447	432	406	377	355	343	318	299	284
219		20000	...	685	544	475	432	401	377	358	343	329	318	299	278	261	252	234	221	209
2E20		40000	685	544	432	377	343	318	299	284	272	261	252	238	221	208	200	186	175	166
2M30		100000	505	401	318	278	252	234	221	209	200	193	186	175	162	153	148	137	129	123
220	207	8000	976	853	775	719	677	643	615	591	571	537	499	469	453	421	396	376
222		20000	...	906	719	628	571	530	499	474	453	436	421	396	367	346	334	310	292	277
223		40000	906	719	571	499	453	421	396	376	360	346	334	314	292	274	265	246	231	220
2M35		100000	668	530	421	367	334	310	292	277	265	255	246	231	215	202	195	181	171	162
224	208	8000	1232	1076	978	908	854	811	776	746	720	678	629	592	572	531	499	474
2M40		20000	...	1143	908	793	720	669	629	598	572	550	531	499	464	436	421	391	368	350
		40000	1143	908	720	629	572	531	499	474	454	436	421	396	368	346	334	310	292	277
		100000	843	669	531	464	421	391	368	350	334	321	310	292	271	255	246	229	215	204
226	209	8000	1238	1082	983	912	859	816	780	750	724	681	633	595	575	534	502	477
227		20000	...	1150	912	797	724	672	633	601	575	553	534	502	466	439	423	393	370	351
228		40000	1150	912	724	633	575	534	502	477	456	439	423	399	370	348	336	312	294	279
2M45		100000	847	672	534	466	423	393	370	351	336	323	312	294	273	257	248	230	216	206
231	210	8000	1330	1162	1056	980	922	876	838	806	778	732	679	639	617	573	539	512
2E32		20000	...	1235	980	856	778	722	679	645	617	594	573	539	501	471	455	422	397	377
2M50		40000	1235	980	778	679	617	573	539	512	490	471	455	428	397	374	361	335	315	300
		100000	910	722	573	501	455	422	397	377	361	347	335	315	293	276	266	247	232	221
232	211	8000	1647	1439	1307	1213	1142	1085	1037	997	963	906	841	792	764	710	668	634
235		20000	...	1529	1213	1060	963	894	841	799	764	735	710	668	620	583	563	523	492	467
2M55		40000	1529	1213	963	841	764	710	668	634	607	583	563	530	492	463	447	415	390	371
		100000	1126	894	710	620	563	523	492	467	447	430	415	390	362	341	329	306	288	273
			E3 SEALS																	
236	212	8000	1990	1738	1579	1466	1379	1310	1253	1205	1164	1095	1016	956	923	857	807	766
238		20000	...	1847	1466	1281	1164	1080	1016	966	923	888	857	807	749	705	680	632	594	565
239		40000	1847	1466	1164	1016	923	857	807	766	733	705	680	640	594	559	540	501	472	448
2M60		100000	1361	1080	857	749	680	632	594	565	540	519	501	472	438	412	398	369	348	330
			E SEALS																	
240	213	8000	2171	1896	1723	1599	1505	1430	1368	1315	1270	1195	1109	1044	1008	935	880	836
243		20000	...	2015	1599	1397	1270	1179	1109	1053	1008	969	935	880	817	769	742	689	649	616
2M65		40000	2015	1599	1270	1109	1008	935	880	836	800	769	742	699	649	610	589	547	515	489
		100000	1485	1179	935	817	742	689	649	616	589	567	547	515	478	450	434	403	379	360
244	215	8000	2533	2213	2011	1867	1757	1669	1596	1534	1482	1394	1294	1218	1176	1092	1027	
247		20000	...	2352	1867	1631	1482	1375	1294	1229	1176	1131	1092	1027	954	897	866	804	757	
2E48		40000	2352	1867	1482	1294	1176	1092	1027	976	933	897	866	815	757	712	688	638	601	
2M75		100000	1733	1375	1092	954	866	804	757	719	688	661	638	601	558	525	507	470	443	
255	217	8000	3167	2766	2513	2333	2196	2086	1995	1918	1852	1743	1618	1522	1470	1365		
2E56		20000	...	2940	2333	2038	1852	1719	1618	1537	1470	1413	1365	1284	1192	1122	1083	1005		
2M85		40000	2940	2333	1852	1618	1470	1365	1284	1220	1167	1122	1083	1019	946	890	860	798		
		100000	2166	1719	1365	1192	1083	1005	946	899	860	826	798	751	697	656	633	588		
263	220	8000	4630	4045	3675	3411	3210	3049	2917	2804	2708	2548	2365	2226	2149			
2E64		20000	...	4298	3411	2980	2708	2514	2365	2247	2149	2066	1995	1877	1743	1640	1583			
2M100		40000	4298	3411	2708	2365	2149	1995	1877	1783	1706	1640	1583	1490	1383	1302	1257			
		100000	3167	2514	1995	1743	1583	1470	1383	1314	1257	1208	1167	1098	1019	959	926			

* Load exceeds 25% of the C rating, consult Rexnord Bearing Division.
 Operation in the high speed shaded areas requires frequent relubrication.

Housing Bearing Seat Diameters For Cylindrical O.D. Ball Bearings

Class of fit selection

Housing Construction	Operating Condition		Class of fit*	Remarks
Housing not split radially	Housing rotating in relation to direction of load	Normal and heavy loads	N6	Outer ring not axially displaceable
		Light loads	M6	
	Direction of load indeterminate	Heavy shock loads	K6	Outer ring, as a rule, not axially displaceable
		Normal and heavy loads where outer ring does not have to be axially displaceable		
Housing split or not split radially	Housing stationary in relation to direction of loads	Normal and light loads where displaceability of outer ring is desirable	J6	Outer ring, as a rule, axially displaceable
		Shock loads temporary complete unloading	H6	
	All loads	Housing not split radially		H7
		Housing split radially		



*For cast iron or steel housings. For housings of light metal, select tolerances which give slightly tighter fits than those shown.

Class of fit and housing bores (inches/μm)

Basic Size				Bearing/housing diameter fits ▲												
W200, Y200, U200, C200	R200, S200, K200,	Nominal Bearing O.D. and Housing Bore		Bearing O.D. Tolerance △	H7		H6		J6		K6		M6		N6	
		mm	inches		Tolerance		Tolerance		Tolerance		Tolerance		Tolerance			
		Fit	Housing Bore		Fit	Housing Bore	Fit	Housing Bore	Fit	Housing Bore	Fit	Housing Bore	Fit	Housing Bore		
2M17	211	203	40 1.5748	+0.000	.0000	-.0000	.00000	-.0000	.0002T	-.0002	.0005T	-.0005	.0008T	-.0008	.0011T	-.0011
					-.0005	.0015L	+0.0010	.0011L	+0.0006	.0009L	+0.0004	.0006L	+0.0001	.0003L	-.0002	.0000
2M20	212	204	47 1.8504	+0	0	-0	0	-0	5T	-5	13T	-13	20T	-20	28T	-28
					-13	38L	+25	28L	+15	23L	+10	15L	+2	8L	-5	0
2M25	216	205	52 2.0472	+0.000	.0000	-.0000	.0000	-.0000	.0002T	-.0002	.0006T	-.0006	.0010T	-.0010	.0013T	-.0013
2M30	219	206	62 2.4409	-.0005	.0017L	+0.0012	.0012L	+0.0007	.0010L	+0.0005	.0006L	+0.0001	.0002L	-.0003	.0001T	-.0006
2M35	223	207	72 2.8346	+0	0	-0	0	-0	5T	-5	15T	-15	25T	-25	33T	-43
2M40	225	208	80 3.1496	-13	43L	+30	30L	+17	26L	+13	15L	+2	5L	-8	2T	-15
2M45	228	209	85 3.3465	+0.000	.0000	-.0000	.0000	-.0000	.0002T	-.0002	.0007T	-.0007	.0012T	-.0012	.0016T	-.0016
2M50	231	210	90 3.5433	-.0006	.0020L	+0.0014	.0015L	+0.0009	.0013L	+0.0007	.0008L	+0.0002	.0003L	-.0003	.0001T	-.0007
2M55	235	211	100 3.9370	+0	0	-0	0	-0	5T	-5	18T	-18	30T	-30	40T	-40
2M60	239	212	110 4.3307	-15	50L	+35	38L	+23	33L	+18	20L	+5	8L	-8	3T	-18

Please consult for availability.

1μm = .001 mm

The appropriate housing bore for any class of fit can be easily determined by applying the housing tolerance to the nominal housing bore.

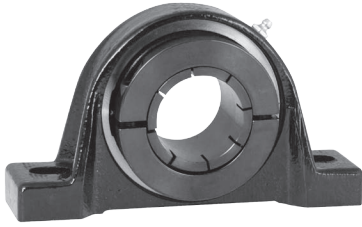
Example, (using basic size 211 and class of fit H7):

	inches		mm	
Nominal housing bore	= 1.5748	1.5748	40.000	40.000
Housing bore tolerance	= -.0000	+.0010	-0.000	+0.025
Resultant housing bore	= 1.5748	1.5758	40.000	40.025

▲ Symbol L indicates a loose or clearance fit. Symbol T indicates a tight or interference fit.

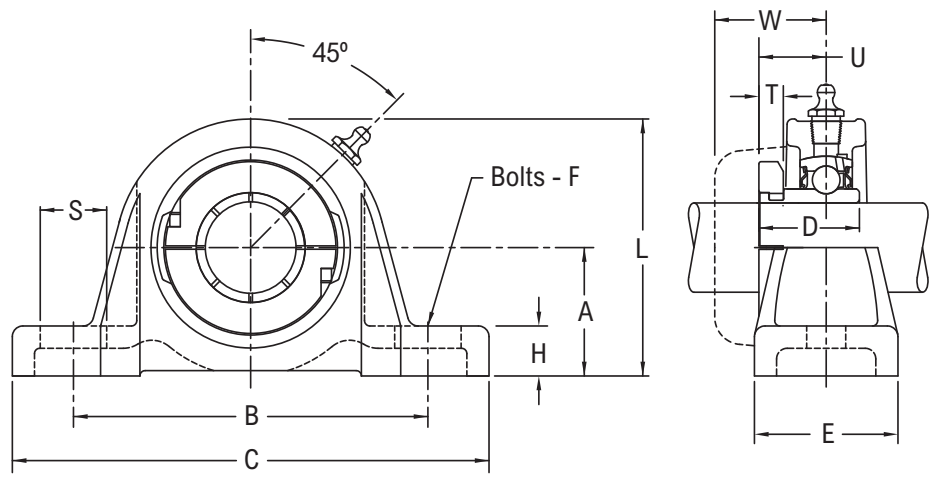
△ The arithmetical mean of the largest and smallest single diameter to be within tolerance shown. Allowable deviations from mean diameter per ANSI/ABMA Standard 20, latest printing.

P3CL200



Product Features

- Corrosion-resistant powder coating
- Cast iron housing
- Broad range of sealing options
- Wide inner ring for increased shaft stability
- Alignable & relubricatable
- See Features & Benefits for additional info.



Bearing Dimensions

Size Code	Shaft Diameter	Part Number	A Base to Centerline Height	B Distance Between Bolt Holes	C	D	E	F	H	L	M	S	U	W	Approx. Weight	
204	$\frac{3}{4}$	P3CL212N* \blacksquare	$1\frac{5}{16}$	$3\frac{7}{8}$	$5\frac{1}{8}$	$1\frac{11}{32}$	$1\frac{1}{2}$	$\frac{3}{8}$	$\frac{1}{2}$	$2\frac{19}{32}$	$1\frac{59}{64}$	$\frac{11}{16}$	$\frac{27}{32}$	$1\frac{21}{64}$	1.70	
	20.00	P3CL2M20N* \blacksquare	33.34	98.40	130.20	34.04	38.10	10.00	12.70	65.90	48.77	17.50	21.34	33.78	0.76	
205	$\frac{7}{8}$	P3CL214N* Δ	$1\frac{7}{16}$	4	$5\frac{3}{8}$	$1\frac{3}{8}$	$1\frac{5}{8}$	$\frac{3}{8}$	$\frac{9}{16}$	$2\frac{7}{8}$	$2\frac{5}{64}$	$\frac{11}{16}$	$\frac{13}{16}$	$1\frac{5}{16}$	1.90	
	$\frac{15}{16}$	P3CL215N* Δ														
	1	P3CL216N* Δ	25.00	P3CL2M25N* \blacksquare	36.51	101.60	136.50	34.80	41.30	10.00	14.30	73.00	52.83	17.50	20.57	33.27
206	1	P3CL2B16N* \blacksquare	$1\frac{11}{16}$	$4\frac{5}{8}$	$6\frac{5}{16}$	$1\frac{9}{16}$	$1\frac{3}{4}$	$\frac{1}{2}$	$\frac{11}{16}$	$3\frac{5}{16}$	$2\frac{15}{32}$	$\frac{15}{16}$	$\frac{61}{64}$	$1\frac{15}{32}$	2.80	
	$1\frac{1}{8}$	P3CL218N* \blacksquare														
	$1\frac{3}{16}$	P3CL219N* \blacksquare														
	$1\frac{1}{4}$	P3CL2E20N* \blacksquare														
	30.00	P3CL2M30N* \blacksquare	42.86	117.50	106.30	39.62	44.40	12.00	17.50	84.10	62.48	23.80	24.13	37.34	1.27	
207	$1\frac{3}{16}$	P3CL2B19N* Δ	$1\frac{7}{8}$	$4\frac{15}{16}$	$6\frac{3}{8}$	$1\frac{3}{4}$	$1\frac{7}{8}$	$\frac{1}{2}$	$\frac{13}{16}$	$3\frac{11}{16}$	$2\frac{7}{8}$	$\frac{13}{16}$	$1\frac{3}{32}$	$1\frac{37}{64}$	3.80	
	$1\frac{1}{4}$	P3CL220N* Δ														
	$1\frac{3}{8}$	P3CL222N* Δ														
	$1\frac{7}{16}$	P3CL223N* Δ														
	35.00	P3CL2M35N* \blacksquare	47.62	125.40	161.90	44.45	47.60	12.00	20.60	93.70	73.15	20.60	27.69	40.13	1.73	
208	$1\frac{7}{16}$	P3CL2B23N* Δ	2	$5\frac{3}{8}$	$7\frac{1}{16}$	$1\frac{15}{16}$	$1\frac{7}{8}$	$\frac{1}{2}$	$\frac{13}{16}$	4	$3\frac{3}{64}$	$\frac{15}{16}$	$1\frac{7}{32}$	$1\frac{43}{64}$	4.70	
	$1\frac{1}{2}$	P3CL224N* Δ														
	$1\frac{5}{8}$	P3CL2E26N* Δ														
	40.00	P3CL2M40N* \blacksquare	50.80	136.50	179.40	49.28	47.60	12.00	20.60	101.60	77.47	23.80	30.73	42.42	2.12	
209	$1\frac{1}{2}$	P3CL2B24N* Δ	$2\frac{1}{8}$	$5\frac{5}{8}$	$7\frac{1}{4}$	$1\frac{61}{64}$	2	$\frac{1}{2}$	$\frac{13}{16}$	$4\frac{5}{16}$	$3\frac{17}{64}$	$\frac{7}{8}$	$1\frac{13}{64}$	$1\frac{11}{16}$	5.40	
	$1\frac{5}{8}$	P3CL226N* Δ														
	$1\frac{11}{16}$	P3CL227N* Δ														
	$1\frac{3}{4}$	P3CL228N* Δ														
	45.00	P3CL2M45N* \blacksquare	53.98	142.90	184.20	49.53	50.80	12.00	20.60	109.50	82.80	22.20	30.48	42.67	2.43	
210	$1\frac{11}{16}$	P3CL2B27N* Δ	$2\frac{1}{4}$	$6\frac{3}{16}$	$7\frac{7}{8}$	$2\frac{5}{64}$	$2\frac{1}{8}$	$\frac{5}{8}$	$\frac{7}{8}$	$4\frac{1}{2}$	$3\frac{5}{8}$	$\frac{15}{16}$	$1\frac{21}{64}$	$1\frac{51}{64}$	6.10	
	$1\frac{3}{4}$	P3CL2B28N* Δ														
	$1\frac{7}{8}$	P3CL230N* Δ														
	$1\frac{15}{16}$	P3CL231N* Δ														

Continued...

Continued...

Bearing Dimensions

Size Code	Shaft Diameter	Part Number	A Base to Centerline Height	B Distance Between Bolt Holes	C	D	E	F	H	L	M	S	U	W	Approx. Weight
210	2	P3CL2E32N*Δ■	2 1/4	6 3/16	7 7/8	2 5/64	2 1/8	5/8	7/8	4 1/2	3 5/8	15/16	1 21/64	1 51/64	6.10
	50.00	P3CL2M50N*Δ■	57.15	157.20	200.00	52.58	54.00	16.00	22.20	114.30	92.20	23.80	33.53	45.72	2.75
211	1 15/16	P3CL2B31N*Δ■	2 1/2	6 3/4	9 1/16	2 15/64	2 3/8	5/8	1	5	3 29/32	1 5/16	1 13/32	1 15/16	7.80
	2	P3CL232N*Δ■													
	2 3/16	P3CL235N*Δ■													
	2 1/4	P3CL2E36N*Δ■													
	55.00	P3CL2M55N*Δ■	63.50	171.40	230.20	56.90	60.30	16.00	25.40	127.00	99.31	33.30	35.56	49.28	3.51
212	2 3/16	P3CL2B35N*Δ■	2 11/16	7 1/2	9 1/2	3 1/16	2 1/2	5/8	1 1/8	5 3/8	4 11/16	1 1/16	2 1/16	2 13/32	11.40
	2 1/4	P3CL236N*Δ■													
	2 3/8	P3CL238N*Δ■													
	2 7/16	P3CL239N*Δ■													
	60.00	P3CL2M60N*Δ■	68.26	190.50	241.30	77.72	63.50	16.00	28.60	136.50	119.13	27.00	52.32	60.96	5.13

Additional Notes

Please call 1-866-REXNORD for availability

* N lip seals standard

Lubrication fitting tap size: for size code 203, 1/4 in-28 UNF; for all other size codes, 1/8 in PT

Base to centerline tolerance, +0.000 in/-0.010 in (+0.00 mm/-0.25 mm)

* N lip seals standard

■ Available with H labyrinth seals

Δ Available with E3 triple lip seals

Nickel plated housings available through size code 212, add suffix K75

For the Selection Guide, Load Ratings and Speed Limits, see the Link-Belt 200 Series Ball Bearing Engineering section

Note: Dimensions subject to change. Certified dimensions of ordered material furnished on request.

P3C200

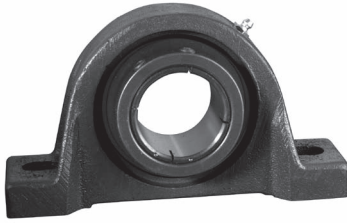
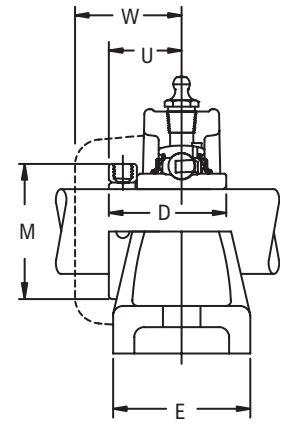
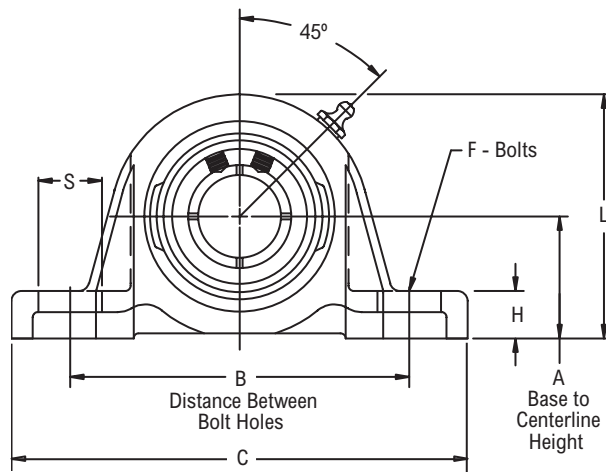


Photo Shows a 2-Bolt Ball Bearing Pillow Block Unit

Product Features

- Corrosion-resistant powder coating
- Cast iron housing
- Broad range of sealing options
- Wide inner ring for increased shaft stability
- Centrik-Lok shaft locking device
- Alignable & relubricatable
- See Features & Benefits for additional info.



Bearing Dimensions

Size Code	Shaft Diameter	Part Number	A Base to Centerline Height	B Distance Between Bolt Holes	C	D	E	F	H	L	M	S	U	W	Approx. Weight
203	$\frac{5}{8}$	P3C210N *	$1 \frac{3}{16}$	$3 \frac{1}{2}$	$4 \frac{5}{8}$	$1 \frac{3}{32}$	$1 \frac{1}{2}$	$\frac{3}{8}$	$\frac{1}{2}$	$2 \frac{11}{32}$	$1 \frac{13}{64}$	$\frac{3}{4}$	$\frac{41}{64}$	$1 \frac{13}{64}$	1.00
	$\frac{1}{2}$	P3C2B08N *									$1 \frac{1}{8}$				
204	$\frac{3}{4}$	P3C212N *	$1 \frac{5}{16}$	$3 \frac{7}{8}$	$5 \frac{1}{8}$	$1 \frac{7}{32}$	$1 \frac{1}{2}$	$\frac{3}{8}$	$\frac{1}{2}$	$2 \frac{19}{32}$	$1 \frac{3}{8}$	$\frac{11}{16}$	$\frac{23}{32}$	$1 \frac{19}{64}$	1.70
	$\frac{7}{8}$	P3C214N *													
205	1	P3C216N *	$1 \frac{7}{16}$	4	$5 \frac{3}{8}$	$1 \frac{5}{16}$	$1 \frac{5}{8}$	$\frac{3}{8}$	$\frac{9}{16}$	$2 \frac{7}{8}$	$1 \frac{9}{16}$	$\frac{11}{16}$	$\frac{3}{4}$	$1 \frac{9}{32}$	1.90
	$\frac{1}{8}$	P3C218N *													
206	$\frac{1}{2}$	P3C219N *	$1 \frac{11}{16}$	$4 \frac{5}{8}$	$6 \frac{5}{16}$	$1 \frac{1}{2}$	$1 \frac{3}{4}$	$\frac{1}{2}$	$\frac{11}{16}$	$3 \frac{5}{16}$	$1 \frac{13}{16}$	$\frac{15}{16}$	$\frac{7}{8}$	$1 \frac{29}{64}$	2.80
	$\frac{3}{4}$	P3C220N *									2				
	$\frac{1}{4}$	P3C222N *									2				
207	$\frac{1}{2}$	P3C223N *	$1 \frac{7}{8}$	$4 \frac{15}{16}$	$6 \frac{3}{8}$	$1 \frac{11}{16}$	$1 \frac{7}{8}$	$\frac{1}{2}$	$\frac{13}{16}$	$3 \frac{11}{16}$	$2 \frac{1}{4}$	$\frac{13}{16}$	1	$1 \frac{35}{64}$	3.80
	$\frac{3}{4}$	P3C224N *									$2 \frac{1}{2}$				
	$\frac{1}{4}$	P3C226N *									$2 \frac{1}{2}$				
208	$\frac{1}{2}$	P3C227N *	2	$5 \frac{3}{8}$	$7 \frac{1}{16}$	$1 \frac{15}{16}$	$1 \frac{7}{8}$	$\frac{1}{2}$	$\frac{13}{16}$	4	$2 \frac{1}{2}$	$\frac{15}{16}$	$1 \frac{3}{16}$	$1 \frac{41}{64}$	4.70
	$\frac{3}{4}$	P3C228N *									$2 \frac{1}{2}$				
	$\frac{1}{4}$	P3C229N *									$2 \frac{1}{2}$				
209	$\frac{1}{2}$	P3C230N *	$2 \frac{1}{8}$	$5 \frac{5}{8}$	$7 \frac{1}{4}$	$1 \frac{15}{16}$	2	$\frac{1}{2}$	$\frac{13}{16}$	$4 \frac{5}{16}$	$2 \frac{11}{16}$	$\frac{7}{8}$	$1 \frac{3}{16}$	$1 \frac{21}{32}$	5.40
	$\frac{3}{4}$	P3C231N *									$2 \frac{1}{4}$				
	$\frac{1}{4}$	P3C232N *									$2 \frac{1}{4}$				
210	$\frac{1}{2}$	P3C233N *	$2 \frac{1}{4}$	$6 \frac{3}{16}$	$7 \frac{7}{8}$	$2 \frac{1}{32}$	$2 \frac{1}{8}$	$\frac{5}{8}$	$\frac{7}{8}$	$4 \frac{1}{2}$	$2 \frac{7}{8}$	$\frac{15}{16}$	$1 \frac{9}{32}$	$1 \frac{25}{32}$	6.10
	$\frac{3}{4}$	P3C234N *									$2 \frac{7}{8}$				
	$\frac{1}{4}$	P3C235N *									$3 \frac{1}{8}$				
211	$\frac{1}{2}$	P3C236N *	$2 \frac{1}{2}$	$6 \frac{3}{4}$	$9 \frac{1}{16}$	$2 \frac{3}{16}$	$2 \frac{3}{8}$	$\frac{5}{8}$	1	5	$2 \frac{7}{8}$	$1 \frac{5}{16}$	$1 \frac{5}{16}$	$2 \frac{1}{64}$	7.80
	$\frac{3}{4}$	P3C237N *									$3 \frac{1}{8}$				
	$\frac{1}{4}$	P3C238N *									$3 \frac{1}{8}$				
212	$\frac{1}{2}$	P3C239N *	$2 \frac{11}{16}$	$7 \frac{1}{2}$	$9 \frac{1}{2}$	$2 \frac{9}{16}$	$2 \frac{1}{2}$	$\frac{5}{8}$	$1 \frac{1}{8}$	$5 \frac{3}{8}$	$3 \frac{1}{8}$	$1 \frac{1}{16}$	$1 \frac{9}{16}$	$2 \frac{7}{64}$	11.40
	$\frac{3}{4}$	P3C240N *									$3 \frac{3}{8}$				

Additional Notes

- Please call 1-866-REXNORD for availability
- Lubrication fitting tap size: for size code 203, 1/4 in-28 UNF; for all other size codes, 1/8 in PT
- Base to centerline tolerance, ± 0.00 in/ ± 0.10 in (± 0.00 mm/ ± 0.25 mm)
- * N lip seals standard
- Nickel plated housings available through size code 212, add suffix K75
- For the Selection Guide, Load Ratings and Speed Limits, see the Link-Belt 200 Series Ball Bearing Engineering section

Note: Dimensions subject to change. Certified dimensions of ordered material furnished on request.

P3Y200

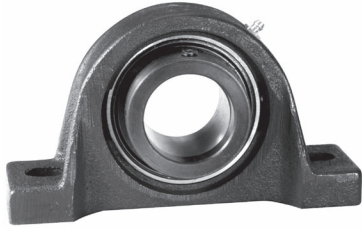
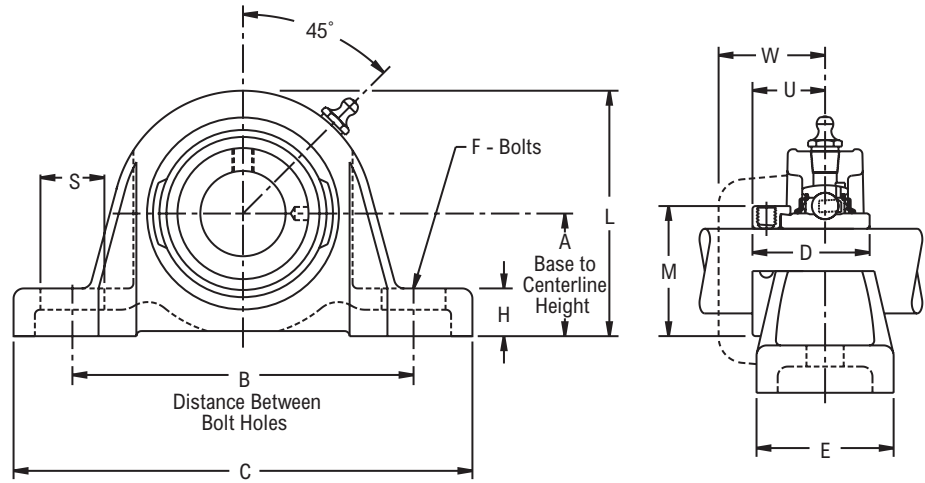


Photo Shows a 2-Bolt Ball Bearing Pillow Block Unit

Product Features

- Corrosion-resistant powder coating
- Cast iron housing
- Broad range of sealing options
- Wide inner ring for increased shaft stability
- Eccentric cam locking device
- Alignable & relubricatable
- See Features & Benefits for additional info.



Bearing Dimensions

Size Code	Shaft Diameter	Part Number	A Base to Centerline Height	B Distance Between Bolt Holes	C	D	E	F	H	L	M	S	U	W	Approx. Weight
203	$\frac{5}{8}$	P3Y210N *■	$1\frac{3}{16}$	$3\frac{1}{2}$	$4\frac{5}{8}$	$1\frac{15}{32}$	$1\frac{1}{2}$	$\frac{3}{8}$	$\frac{1}{2}$	$2\frac{11}{32}$	$1\frac{1}{8}$	$\frac{3}{4}$	$\frac{59}{64}$	$1\frac{13}{64}$	1.10
	$\frac{11}{16}$	P3Y211N *■													
	$\frac{1}{2}$	P3Y2B08N *■													
204	$\frac{3}{4}$	P3Y212N *■	$1\frac{5}{16}$	$3\frac{7}{8}$	$5\frac{1}{8}$	$1\frac{23}{32}$	$1\frac{1}{2}$	$\frac{3}{8}$	$\frac{1}{2}$	$2\frac{19}{32}$	$1\frac{5}{16}$	$\frac{11}{16}$	$1\frac{3}{64}$	$1\frac{19}{64}$	1.80
	$\frac{7}{8}$	P3Y214N *Δ													
205	$\frac{15}{16}$	P3Y215N *Δ	$1\frac{7}{16}$	4	$5\frac{3}{8}$	$1\frac{3}{4}$	$1\frac{5}{8}$	$\frac{3}{8}$	$\frac{9}{16}$	$2\frac{7}{8}$	$1\frac{1}{2}$	$\frac{11}{16}$	$1\frac{1}{16}$	$1\frac{9}{32}$	2.00
	1	P3Y216N *Δ													
	$\frac{1}{8}$	P3Y218N *■													
206	$1\frac{3}{16}$	P3Y219N *■	$1\frac{11}{16}$	$4\frac{5}{8}$	$6\frac{5}{16}$	$1\frac{29}{32}$	$1\frac{3}{4}$	$\frac{1}{2}$	$\frac{11}{16}$	$3\frac{5}{16}$	$1\frac{3}{4}$	$\frac{15}{16}$	$1\frac{3}{16}$	$1\frac{29}{64}$	2.80
	$1\frac{1}{4}$	P3Y2E20N *■													
	$1\frac{1}{4}$	P3Y220N *Δ													
207	$1\frac{3}{8}$	P3Y222N *Δ	$1\frac{7}{8}$	$4\frac{15}{16}$	$6\frac{3}{8}$	$2\frac{1}{64}$	$1\frac{7}{8}$	$\frac{1}{2}$	$\frac{13}{16}$	$3\frac{11}{16}$	$2\frac{3}{16}$	$\frac{13}{16}$	$1\frac{9}{32}$	$1\frac{35}{64}$	4.00
	$1\frac{7}{16}$	P3Y223N *Δ													
	$1\frac{1}{2}$	P3Y224N *Δ													
208	$1\frac{1}{2}$	P3Y224N *Δ	2	$5\frac{3}{8}$	$7\frac{1}{16}$	$2\frac{7}{32}$	$1\frac{7}{8}$	$\frac{1}{2}$	$\frac{13}{16}$	4	$2\frac{3}{8}$	$\frac{15}{16}$	$1\frac{3}{8}$	$1\frac{41}{64}$	5.00
	$1\frac{5}{8}$	P3Y226N *Δ													
	$1\frac{11}{16}$	P3Y227N *Δ													
209	$1\frac{11}{16}$	P3Y227N *Δ	$2\frac{1}{8}$	$5\frac{5}{8}$	$7\frac{1}{4}$	$2\frac{7}{32}$	2	$\frac{1}{2}$	$\frac{13}{16}$	$4\frac{5}{16}$	$2\frac{1}{2}$	$\frac{7}{8}$	$1\frac{3}{8}$	$1\frac{21}{32}$	5.70
	$1\frac{3}{4}$	P3Y228N *Δ													
	$1\frac{15}{16}$	P3Y231N *Δ													
210	2	P3Y232N *Δ	$2\frac{1}{4}$	$6\frac{3}{16}$	$7\frac{7}{8}$	$2\frac{15}{32}$	$2\frac{1}{8}$	$\frac{5}{8}$	$\frac{7}{8}$	$4\frac{1}{2}$	$2\frac{3}{4}$	$\frac{15}{16}$	$1\frac{1}{2}$	$1\frac{25}{32}$	6.40
	2	P3Y2E32N *Δ													
211	2	P3Y232N *Δ	$2\frac{1}{2}$	$6\frac{3}{4}$	$9\frac{1}{16}$	$2\frac{13}{16}$	$2\frac{3}{8}$	$\frac{5}{8}$	1	5	3	$1\frac{5}{16}$	$1\frac{23}{32}$	$2\frac{1}{64}$	8.40
	$2\frac{3}{16}$	P3Y235N *Δ													
	$2\frac{1}{4}$	P3Y236N *Δ													
212	$2\frac{3}{8}$	P3Y238N *Δ	$2\frac{11}{16}$	$7\frac{1}{2}$	$9\frac{1}{2}$	$3\frac{1}{16}$	$2\frac{1}{2}$	$\frac{5}{8}$	$1\frac{1}{8}$	$5\frac{3}{8}$	$3\frac{5}{16}$	$1\frac{1}{16}$	$1\frac{27}{32}$	$2\frac{7}{64}$	11.60
	$2\frac{7}{16}$	P3Y239N *Δ													

Additional Notes

- Please call 1-866-REXNORD for availability
- Lubrication fitting tap size: for size code 203, 1/4 in-28 UNF; for all other size codes, 1/8 in PT
- Base to centerline tolerance, +.000 in/-0.010 in (**+0.00 mm/-0.25 mm**)
- * N lip seals standard
- Available with H labyrinth seals
- Δ Available with E3 triple lip seals

Nickel plated housings available, add suffix K75
 For the Selection Guide, Load Ratings and Speed Limits, see the Link-Belt 200 Series Ball Bearing Engineering section
 Note: Dimensions subject to change. Certified dimensions of ordered material furnished on request.

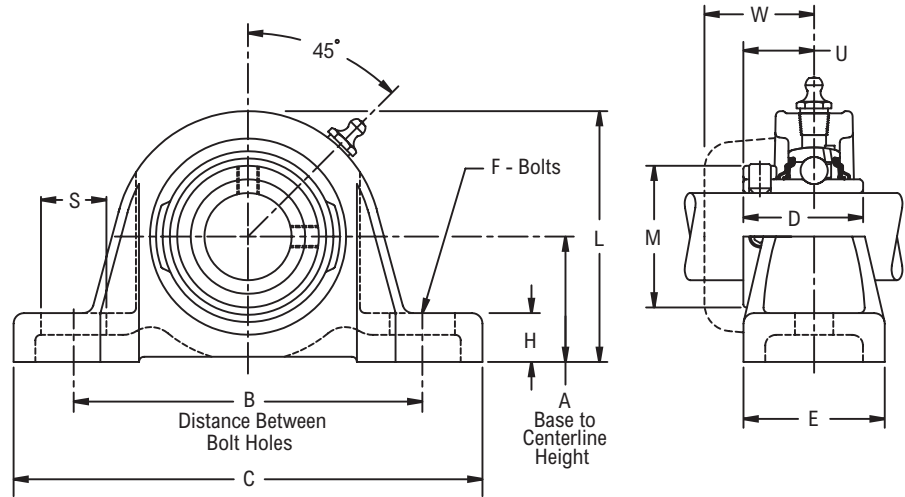
P3U200



Photo Shows a 2-Bolt Ball Bearing Pillow Block Unit

Product Features

- Corrosion-resistant powder coating
- Cast iron housing
- Broad range of sealing options
- Wide inner ring for increased shaft stability
- Spring locking setscrew mount
- Alignable & relubricatable
- See Features & Benefits for additional info.



Bearing Dimensions

Size Code	Shaft Diameter	Part Number	A Base to Centerline Height	B Distance Between Bolt Holes	C	D	E	F	H	L	M	S	U	W	Approx. Weight
203	1/2	P3U2B08N *■	1 3/16	3 1/2	4 5/8	1 3/32	1 1/2	3/8	1/2	2 11/32	-	3/4	41/64	1 13/64	1.00
	5/8	P3U210N *■													
	11/16	P3U211N *■													
	17.00	P3U2M17N *■	30.16	88.90	117.50	27.78	38.10	10.00	12.70	59.50	-	19.00	16.30	30.60	0.45
204	3/4	P3U212N *■	1 5/16	3 7/8	5 1/8	1 9/32	1 1/2	3/8	1/2	2 19/32	-	11/16	3/4	1 19/64	1.70
	20.00	P3U2M20N *■													
205	7/8	P3U214N Δ*■	1 7/16	4	5 3/8	1 23/64	1 5/8	3/8	9/16	2 7/8	-	11/16	51/64	1 9/32	1.90
	15/16	P3U215N Δ*■													
	1	P3U216N Δ*■													
	25.00	P3U2M25N Δ*■													
206	1 1/8	P3U218N *■	1 11/16	4 5/8	6 5/16	1 9/16	1 3/4	1/2	11/16	3 5/16	-	15/16	61/64	1 29/64	2.70
	1 3/16	P3U219N *■													
	1 1/4	P3U2E20N *■													
	30.00	P3U2M30N *■	42.86	117.50	160.30	39.69	44.40	12.00	17.50	84.10	-	23.80	24.20	36.90	1.22
207	1 1/4	P3U220N Δ*■	1 7/8	4 15/16	6 3/8	1 49/64	1 7/8	1/2	13/16	3 11/16	-	13/16	1 7/64	1 35/64	3.70
	1 3/8	P3U222N Δ*■													
	1 7/16	P3U223N Δ*■													
	35.00	P3U2M35N Δ*■	47.62	125.40	161.90	44.85	47.60	12.00	20.60	93.70	-	20.60	28.20	39.30	1.67
208	1 1/2	P3U224N Δ*■	2	5 3/8	7 1/16	1 29/32	1 7/8	1/2	13/16	4	-	15/16	1 11/64	1 41/64	4.70
	40.00	P3U2M40N Δ*■													
209	1 5/8	P3U226N Δ*■	2 1/8	5 5/8	7 1/4	2 1/32	2	1/2	13/16	4 5/16	-	7/8	1 15/64	1 21/32	5.40
	1 11/16	P3U227N Δ*■													
	1 3/4	P3U228N Δ*■													
	45.00	P3U2M45N Δ*■	53.98	142.90	184.20	51.59	50.80	12.00	20.60	109.50	-	22.20	31.40	42.10	2.43
210	1 15/16	P3U231N Δ*■	2 1/4	6 3/16	7 7/8	2 3/32	2 1/8	5/8	7/8	4 1/2	-	15/16	1 17/64	1 25/32	6.10
	2	P3U2E32N Δ*■													
	50.00	P3U2M50N Δ*■	57.15	157.20	200.00	53.18	54.00	16.00	22.20	114.30	-	23.80	32.10	45.20	2.75
211	2	P3U232N Δ*■	2 1/2	6 3/4	9 1/16	2 1/4	2 3/8	5/8	1	5	-	1 5/16	1 13/32	2 1/64	7.80
	2 3/16	P3U235N Δ*■													
	55.00	P3U2M55N Δ*■	63.50	171.40	230.20	57.15	60.30	16.00	25.40	127.00	-	33.30	35.70	51.20	3.51
212	2 1/4	P3U236N Δ*■	2 11/16	7 1/2	9 1/2	2 1/2	2 1/2	5/8	1 1/8	5 3/8	-	1 1/16	1 9/16	2 7/64	11.40
	2 3/8	P3U238N Δ*■													
	2 7/16	P3U239N Δ*■													
	60.00	P3U2M60N Δ*■	68.26	190.50	241.30	63.50	63.50	16.00	28.60	136.50	-	27.00	39.70	53.60	5.13

Continued...

Continued...

Bearing Dimensions

Size Code	Shaft Diameter	Part Number	A Base to Centerline Height	B Distance Between Bolt Holes	C	D	E	F	H	L	M	S	U	W	Approx. Weight
213	2 1/2	P3U240NΔ*	3	8 1/8	10 1/2	2 11/16	2 7/8	3/4	1 5/16	6	4 3/16	1 3/16	1 11/16	2 1/16	15.90
	2 11/16	P3U243NΔ*													7.16
215	65.00	P3U2M65NΔ*	3 1/4	8 7/8	11 3/4	2 7/8	3 1/4	3/4	1 3/8	6 1/2	4 5/8	1 5/16	1 13/16	2 7/32	19.50
	2 3/4	P3U244NΔ*													8.78
	2 15/16	P3U247NΔ*													
	3	P3U2E48NΔ*													
75.00	P3U2M75NΔ*	82.55	225.40	298.40	73.02	82.60	20.00	34.90	165.10	117.50	33.30	46.00	56.40	8.78	
217	3 7/16	P3U255NΔ*	3 3/4	10	13	3 9/16	3 1/2	7/8	1 5/8	7 7/16	5 3/16	1 5/8	2 1/8	2 1/2	28.70
	3 1/2	P3U2E56NΔ*													12.92
85.00	P3U2M85NΔ*	95.25	254.00	330.20	90.49	88.90	24.00	41.30	188.90	131.80	41.30	54.00	63.50	12.92	
220	3 15/16	P3U263N*	4 7/16	11 7/8	15 1/4	4 1/4	4 1/4	7/8	1 13/16	8 7/8	5 15/16	1 7/8	2 37/64	3 1/64	50.20
	4	P3U2E64N*													22.60
	100.00	P3U2M100N*													

Additional Notes

Please call 1-866-REXNORD for availability
 Lubrication fitting tap size: for size code 203, 1/4 in-28 UNF; for all other size codes, 1/8 in PT
 Base to centerline tolerance, +.000 in/-0.010 in (+0.00 mm/-0.25 mm)
 Size codes 203 to 212 don't have mounting collars
 * N lip seals standard
 ■ Available with H labyrinth seals
 Δ Available with E3 triple lip seals

Nickel plated housings available in all size codes
 For the Selection Guide, Load Ratings and Speed Limits, see the Link-Belt 200 Series Ball Bearing Engineering section
 Note: Dimensions subject to change. Certified dimensions of ordered material furnished on request.

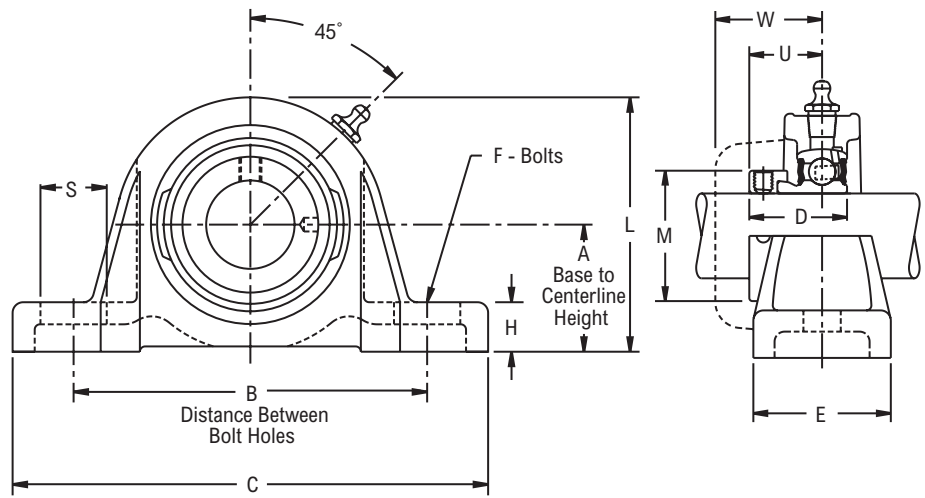
P3W200



Photo Shows a 2-Bolt Ball Bearing Pillow Block Unit

Product Features

- Corrosion-resistant powder coating
- Cast iron housing
- Eccentric cam locking device
- Alignable & relubricatable
- See Features & Benefits for additional info.



Bearing Dimensions

Size Code	Shaft Diameter	Part Number	A Base to Centerline Height	B Distance Between Bolt Holes	C	D	E	F	H	L	M	S	U	W	Approx. Weight
203	1/2	P3W2B08E ▲	1 3/16	3 1/2	4 5/8	1 1/8	1 1/2	3/8	1/2	2 11/32	1 1/8	3/4	7/8	1 13/64	0.90
	5/8	P3W210E ▲													
204	3/4	P3W212E ▲	1 5/16	3 7/8	5 1/8	1 7/32	1 1/2	3/8	1/2	2 19/32	1 5/16	11/16	59/64	1 19/64	1.60
205	7/8	P3W214E ▲	1 7/16	4	5 3/8	1 7/32	1 5/8	3/8	9/16	2 7/8	1 1/2	11/16	59/64	1 9/32	1.80
	15/16	P3W215E ▲													
	1	P3W216E ▲													
206	1 1/8	P3W218E ▲	1 11/16	4 5/8	6 5/16	1 13/32	1 3/4	1/2	11/16	3 5/16	1 3/4	15/16	1 3/64	1 29/64	2.50
	1 3/16	P3W219E ▲													
	1 1/4	P3W2E20E ▲													
207	1 1/4	P3W220E ▲	1 7/8	4 15/16	6 3/8	1 17/32	1 7/8	1/2	13/16	3 11/16	2 3/16	13/16	1 5/32	1 35/64	3.70
	1 3/8	P3W222E ▲													
	1 7/16	P3W223E ▲													
208	1 1/2	P3W224E ▲	2	5 3/8	7 1/16	1 23/32	1 7/8	1/2	13/16	4	2 3/8	15/16	1 9/32	1 41/64	4.60
	1 5/8	P3W226E ▲													
209	1 5/8	P3W226E ▲	2 1/8	5 5/8	7 1/4	1 23/32	2	1/2	13/16	4 5/16	2 1/2	7/8	1 9/32	1 21/32	5.00
	1 11/16	P3W227E ▲													
	1 3/4	P3W228E ▲													
210	1 15/16	P3W231E ▲	2 1/4	6 3/16	7 7/8	1 23/32	2 1/8	5/8	7/8	4 1/2	2 3/4	15/16	1 9/32	1 25/32	5.50
	2	P3W2E32E ▲													

Additional Notes

- Please call 1-866-REXNORD for availability
- Lubrication fitting tap size: for size code 203, 1/4 in-28 UNF; for all other size codes, 1/8 in PT
- Base to centerline tolerance, +.000 in/-0.010 in (+0.00 mm/-0.25 mm)
- ▲ E lip seals standard
- Nickel plated housings available, add suffix K75
- For the Selection Guide, Load Ratings and Speed Limits, see the Link-Belt 200 Series Ball Bearing Engineering section

Note: Dimensions subject to change. Certified dimensions of ordered material furnished on request.

P3S200

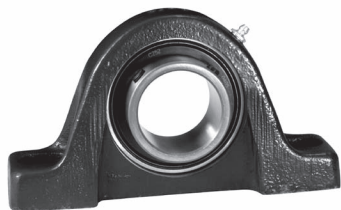
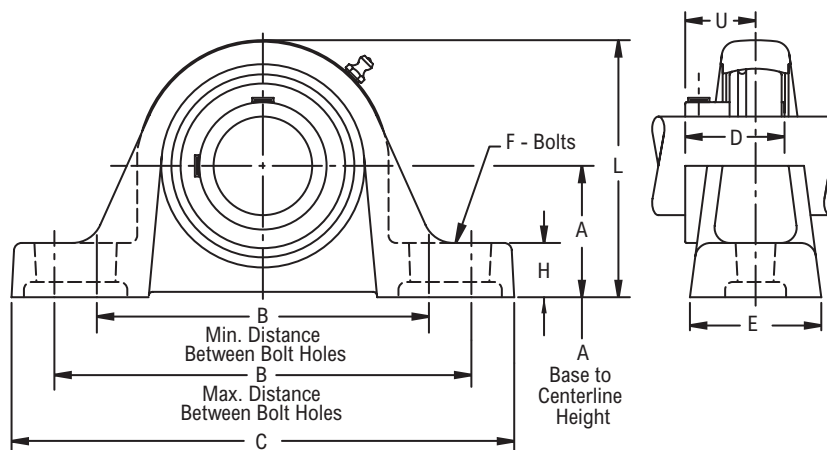


Photo Shows a 2-Bolt Ball Bearing Pillow Block Unit

Product Features

- Corrosion-resistant powder coating
- Cast iron housing
- Broad range of sealing options
- Spring locking setscrew mount
- Alignable & relubricatable
- See Features & Benefits for additional info.



Bearing Dimensions

Size Code	Shaft Diameter	Part Number	A Base to Centerline Height	B Distance Between Bolt Holes		C	D	E	F	H	L	U	Approx. Weight
				Min	Max								
203	1/2	P3S2B08E	1 3/16	3 1/8	4 1/8	5	63/64	1 5/16	3/8	1/2	2 9/32	41/64	1.11
	5/8	P3S210E											1.07
	11/16	P3S211E											1.05
204	3/4	P3S212E	1 5/16	3 3/8	4 3/16	5 1/4	1 1/8	1 7/16	3/8	17/32	2 17/32	3/4	1.51
	20.00	P3S2M20E	33.32	85.70	106.40	133.30	28.58	36.52	10.00	13.50	64.30	19.00	0.70
205	7/8	P3S214E	1 7/16	3 7/16	4 9/16	5 1/2	1 11/64	1 7/16	3/8	19/32	2 13/16	51/64	1.81
	15/16	P3S215E											1.78
	1	P3S26E											1.75
	25.00	P3S2M25E											36.52
206	1 1/8	P3S218E	1 11/16	4 1/8	5 1/8	6 1/4	1 11/32	1 5/8	1/2	21/32	3 1/4	61/64	2.45
	1 3/16	P3S219E											2.42
	1 1/4	P3S2E20E											2.39
	30.00	P3S2M30E											42.88
207	1 1/4	P3S220E	1 7/8	4 9/16	5 9/16	6 11/16	1 9/16	1 3/4	1/2	3/4	3 11/16	1 7/64	3.57
	1 3/8	P3S222E											3.47
	1 7/16	P3S223E											3.41
	35.00	P3S2M35E											47.62
208	1 1/2	P3S224E	2 1/8	5 1/32	6 1/32	7 1/4	1 21/32	1 7/8	1/2	7/8	4 1/8	1 11/64	4.60
	1 5/8	P3S2E26E											4.46
	40.00	P3S2M40E											53.98
209	1 5/8	P3S226E	2 1/8	5 13/32	6 17/32	7 3/4	1 49/64	2	1/2	29/32	4 1/4	1 15/64	5.28
	1 11/16	P3S227E											5.21
	1 3/4	P3S228E											5.14
	1 7/8	P3S230E											6.28
210	1 15/16	P3S231E	2 1/4	5 27/32	6 27/32	8 1/4	1 13/16	2 1/8	5/8	1	4 1/2	1 17/64	6.19
	2	P3S2E32E											6.10
	2	P3S232E											7.78
	2 3/16	P3S235E											7.48
211	2 1/4	P3S236E	2 1/2	6 5/16	7 1/2	8 7/8	1 13/16	2 5/16	5/8	1	4 31/32	1 9/32	7.38
	2 3/8	P3S238E											10.12
	2 7/16	P3S239E											9.88
	2 15/16	P3S247E											9.76
215	2 15/16	P3S247E	3 1/2	8 1/8	10 1/8	12	2 17/64	2 7/8	7/8	1 7/32	6 21/32	1 15/32	16.73

Additional Notes

- Please call 1-866-REXNORD for availability
- Lubrication fitting tap size: for size codes 203 thru 205, 1/4-28 UNF; for all other size codes, 1/8 in PT
- Base to centerline tolerance, +/- .005 in(+/- 0.13 mm)
- Lip seals standard
- ◆ Available with E1 viton seals for all size codes
- ◆ Nickel plated housings available, add suffix K75

Available with free running style seals, add suffix ● FF, □ HFF or Δ MHFF for all size codes
 For the Selection Guide, Load Ratings and Speed Limits, see the Link-Belt MB Ball Bearing Engineering section
 Note: Dimensions subject to change. Certified dimensions of ordered material furnished on request.

PH3Y200

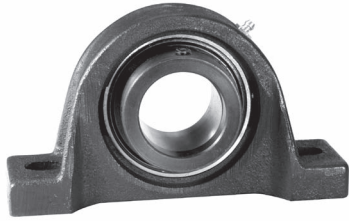
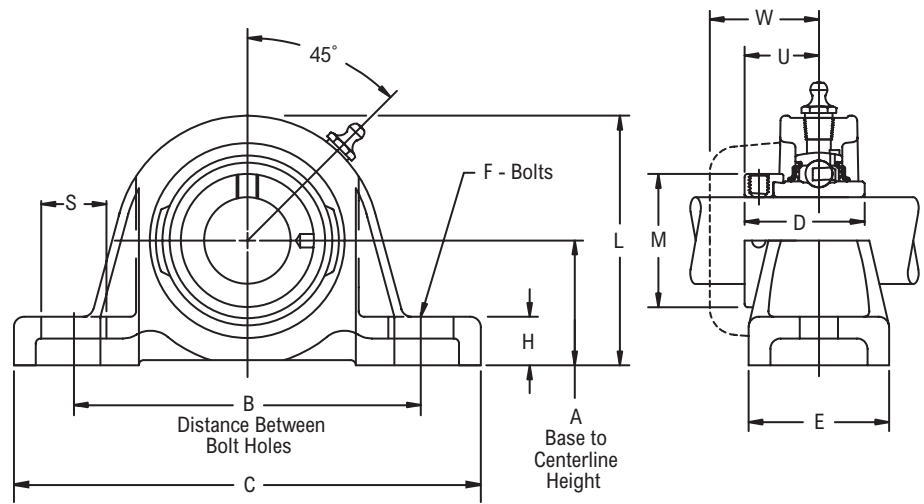


Photo Shows a 2-Bolt Ball Bearing Pillow Block Unit

Product Features

- Corrosion-resistant powder coating
- Cast iron housing
- Broad range of sealing options
- Wide inner ring for increased shaft stability
- Eccentric cam locking device
- Alignable & relubricatable
- High base to center height
- See Features & Benefits for additional info.



Bearing Dimensions

Size Code	Shaft Diameter	Part Number	A Base to Centerline Height	B Distance Between Bolt Holes	C	D	E	F	H	L	M	S	U	W	Approx. Weight
206	1 1/8	PH3Y218N *■	2	5 1/2	7	1 29/32	1 15/16	1/2	11/16	3 5/8	1 3/4	7/8	1 3/16	1 29/64	3.70
	1 3/16	PH3Y219N *■													
207	1 1/4	PH3Y220N *■	2 3/8	6 1/4	8 1/4	2 1/64	2 1/2	5/8	3/4	4 1/4	2 3/16	1 1/4	1 9/32	1 35/64	4.70
	1 3/8	PH3Y222N *Δ													
	1 7/16	PH3Y223N *Δ													
209	1 5/8	PH3Y226N *Δ	2 3/8	6 5/8	8 1/4	2 7/32	2 3/8	5/8	3/4	4 9/16	2 1/2	15/16	1 3/8	1 21/32	7.90
	1 11/16	PH3Y227N *Δ													
210	1 3/4	PH3Y228N *Δ	2 3/4	8 1/16	10 1/8	2 15/32	2 5/8	5/8	7/8	5	2 3/4	1 1/4	1 1/2	1 25/32	9.50
	1 15/16	PH3Y231N *Δ													
211	2	PH3Y232N *Δ	3 1/8	8 7/8	11 3/8	2 13/16	3	5/8	7/8	5 5/8	3	1 1/8	1 23/32	2 1/64	13.20
	2 3/16	PH3Y235N *Δ													
212	2 1/4	PH3Y236N *Δ	3 1/8	8 7/8	11 3/8	3 1/16	3	3/4	7/8	5 7/8	3 5/16	1 1/4	1 27/32	2 7/64	14.40
	2 3/8	PH3Y238N *Δ													
	2 7/16	PH3Y239N *Δ													

Additional Notes

Please call 1-866-REXNORD for availability
 Lubrication fitting tap size, 1/8 in PT
 Base to centerline tolerance, +.000 in/-0.010 in (+0.00 mm/-0.25 mm)

- * N lip seals standard
- Available with H labyrinth seals
- Δ Available with E3 triple lip seals

For the Selection Guide, Load Ratings and Speed Limits, see the Link-Belt 200 Series Ball Bearing Engineering section

Note: Dimensions subject to change. Certified dimensions of ordered material furnished on request.

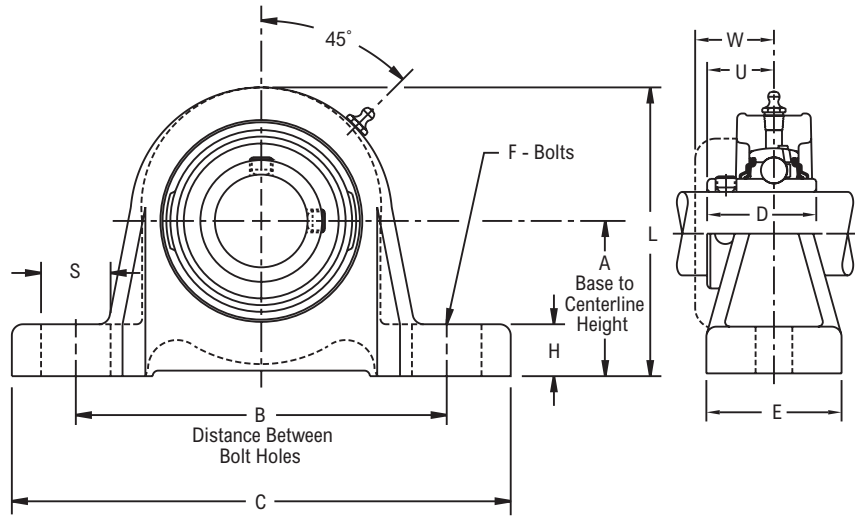
PH3U200



Photo Shows a 2-Bolt Ball Bearing Pillow Block Unit

Product Features

- Corrosion-resistant powder coating
- Cast iron housing
- Broad range of sealing options
- Wide inner ring for increased shaft stability
- Spring locking setscrew mount
- Alignable & relubricatable
- High base to center height
- See Features & Benefits for additional info.



Bearing Dimensions

Size Code	Shaft Diameter	Part Number	A Base to Centerline Height	B Distance Between Bolt Holes	C	D	E	F	H	L	S	U	W	Approx. Weight
206	1 1/8	PH3U218N *■	2	5 1/2	7	1 9/16	1 15/16	1/2	11/16	3 5/8	7/8	61/64	1 29/64	3.80
	1 3/16	PH3U219N *■												
	1 1/4	PH3U220N *■												
	30.00	PH3U2M30N *■	50.80	139.70	177.80	39.69	49.20	12.00	17.50	92.10	22.20	24.20	36.90	1.71
207	1 1/4	PH3U220N *Δ■	2 3/8	6 1/4	8 1/4	1 49/64	2 1/2	5/8	3/4	4 1/4	1 1/4	1 7/64	1 35/64	4.70
	1 3/8	PH3U222N *Δ■												
	1 7/16	PH3U223N *Δ■												
	35.00	PH3U2M35N *Δ■	60.32	158.80	209.60	44.85	63.50	16.00	19.00	108.00	31.80	28.20	39.30	2.12
209	1 5/8	PH3U226N *Δ■	2 3/8	6 5/8	8 1/4	2 1/32	2 3/8	5/8	3/4	4 9/16	15/16	1 15/64	1 21/32	7.90
	1 11/16	PH3U227N *Δ■												
	1 3/4	PH3U228N *Δ■												
	45.00	PH3U2M45N *Δ■	60.32	168.30	209.60	51.59	60.30	16.00	19.00	115.90	23.80	31.40	42.10	3.56
210	1 15/16	PH3U231N *Δ■	2 3/4	8 1/16	10 1/8	2 3/32	2 5/8	5/8	7/8	5	1 1/4	1 17/64	1 25/32	9.50
	50.00	PH3U2M50N *Δ■												
211	2	PH3U232N *Δ■	3 1/8	8 7/8	11 3/8	2 1/4	3	5/8	7/8	5 5/8	1 1/8	1 13/32	2 1/64	13.20
	2 3/16	PH3U235N *Δ■												
	55.00	PH3U2M55N *Δ■	79.38	225.40	288.90	57.15	76.20	16.00	22.20	142.90	28.60	35.70	51.20	5.94
212	2 1/4	PH3U236N *Δ■	3 1/8	8 7/8	11 3/8	2 1/2	3	3/4	7/8	5 7/8	1 1/4	1 9/16	2 7/64	14.40
	2 3/8	PH3U238N *Δ■												
	2 7/16	PH3U239N *Δ■												
	60.00	PH3U2M60N *Δ■	79.38	225.40	288.90	63.50	76.20	20.00	22.20	149.20	31.80	39.70	53.60	6.48

Additional Notes

Please call 1-866-REXNORD for availability
 Lubrication fitting tap size, 1/8 in PT
 Base to centerline tolerance, +.000 in/- .010 in (+0.00 mm/-0.25 mm)

- * N lip seals standard
- Available with H labyrinth seals
- Δ Available with E3 triple lip seals

For the Selection Guide, Load Ratings and Speed Limits, see the Link-Belt 200 Series Ball Bearing Engineering section

Note: Dimensions subject to change. Certified dimensions of ordered material furnished on request.

PL3Y200

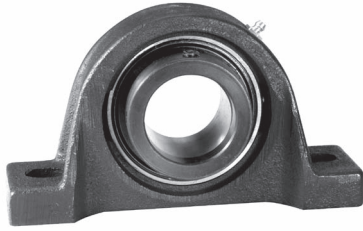
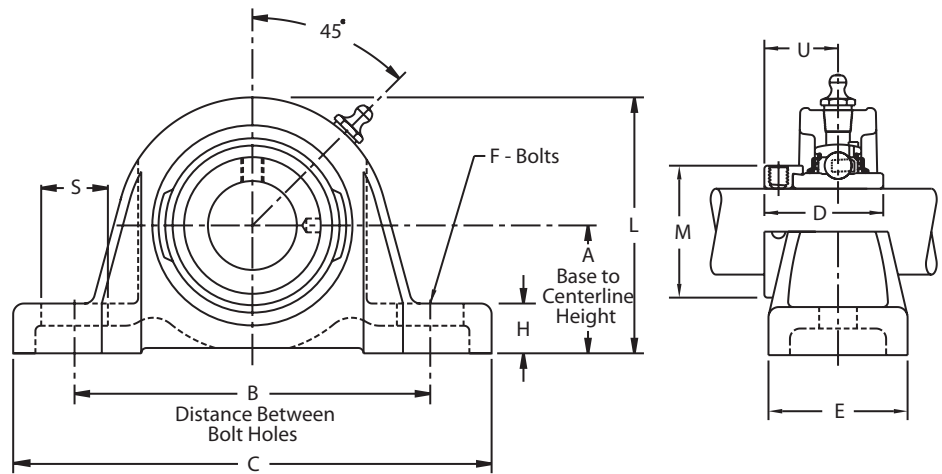


Photo Shows a 2-Bolt Ball Bearing Pillow Block Unit

Product Features

- Corrosion-resistant powder coating
- Cast iron housing
- Broad range of sealing options
- Wide inner ring for increased shaft stability
- Eccentric cam locking device
- Alignable & relubricatable
- Low base to center height
- See Features & Benefits for additional info.



Bearing Dimensions

Size Code	Shaft Diameter	Part Number	A Base to Centerline Height	B Distance Between Bolt Holes	C	D	E	F	H	L	M	S	U	W	Approx. Weight
203	$\frac{5}{8}$	PL3Y210N *■	$1 \frac{1}{16}$	$3 \frac{1}{2}$	$4 \frac{3}{4}$	$1 \frac{15}{32}$	$1 \frac{3}{8}$	$\frac{3}{8}$	$\frac{1}{2}$	$2 \frac{1}{8}$	$1 \frac{1}{8}$	$\frac{9}{16}$	$\frac{59}{64}$	$1 \frac{13}{64}$	1.00
	$\frac{11}{16}$	PL3Y211N *■													
204	$\frac{1}{2}$	PL3Y2B08N *■	$1 \frac{1}{4}$	$3 \frac{7}{8}$	$5 \frac{1}{8}$	$1 \frac{23}{32}$	$1 \frac{1}{2}$	$\frac{3}{8}$	$\frac{7}{16}$	$2 \frac{17}{32}$	$1 \frac{5}{16}$	$\frac{11}{16}$	$1 \frac{3}{64}$	$1 \frac{19}{64}$	1.70
	$\frac{3}{4}$	PL3Y212N *■													
205	$\frac{7}{8}$	PL3Y214N *Δ	$1 \frac{5}{16}$	$4 \frac{1}{8}$	$5 \frac{1}{2}$	$1 \frac{3}{4}$	$1 \frac{3}{4}$	$\frac{3}{8}$	$\frac{5}{8}$	$2 \frac{11}{16}$	$1 \frac{1}{2}$	$\frac{9}{16}$	$1 \frac{1}{16}$	$1 \frac{9}{32}$	1.90
	$\frac{15}{16}$	PL3Y215N *Δ													
	1	PL3Y216N *Δ													
206	$1 \frac{1}{8}$	PL3Y218N *■	$1 \frac{9}{16}$	$4 \frac{3}{4}$	$6 \frac{5}{16}$	$1 \frac{29}{32}$	$1 \frac{7}{8}$	$\frac{1}{2}$	$\frac{11}{16}$	$3 \frac{5}{32}$	$1 \frac{3}{4}$	$\frac{3}{4}$	$1 \frac{3}{16}$	$1 \frac{29}{64}$	2.60
	$1 \frac{3}{16}$	PL3Y219N *■													
	$1 \frac{1}{4}$	PL3Y2E20N *■													
207	$1 \frac{1}{4}$	PL3Y220N *Δ	$1 \frac{13}{16}$	$4 \frac{15}{16}$	$6 \frac{3}{8}$	$2 \frac{1}{64}$	$1 \frac{7}{8}$	$\frac{1}{2}$	$\frac{3}{4}$	$3 \frac{5}{8}$	$2 \frac{3}{16}$	$\frac{13}{16}$	$1 \frac{9}{32}$	$1 \frac{35}{64}$	3.80
	$1 \frac{3}{8}$	PL3Y222N *Δ													
	$1 \frac{7}{16}$	PL3Y223N *Δ													
208	$1 \frac{1}{2}$	PL3Y224N *Δ	$1 \frac{15}{16}$	$5 \frac{3}{8}$	$7 \frac{1}{16}$	$2 \frac{7}{32}$	$1 \frac{7}{8}$	$\frac{1}{2}$	$\frac{3}{4}$	$3 \frac{15}{16}$	$2 \frac{3}{8}$	$\frac{15}{16}$	$1 \frac{3}{8}$	$1 \frac{41}{64}$	4.80
	$1 \frac{5}{8}$	PL3Y226N *Δ													
209	$1 \frac{3}{16}$	PL3Y219N *■	$2 \frac{1}{16}$	$5 \frac{5}{8}$	$7 \frac{1}{4}$	$2 \frac{7}{32}$	2	$\frac{1}{2}$	$\frac{3}{4}$	$4 \frac{1}{4}$	$2 \frac{1}{2}$	$\frac{7}{8}$	$1 \frac{3}{8}$	$1 \frac{21}{32}$	5.50
	$1 \frac{11}{16}$	PL3Y227N *Δ													
	$1 \frac{3}{4}$	PL3Y228N *Δ													
210	$1 \frac{15}{16}$	PL3Y231N *Δ	$2 \frac{3}{16}$	$6 \frac{3}{16}$	$7 \frac{7}{8}$	$2 \frac{15}{32}$	$2 \frac{1}{8}$	$\frac{5}{8}$	$\frac{13}{16}$	$4 \frac{7}{16}$	$2 \frac{3}{4}$	$\frac{15}{16}$	$1 \frac{1}{2}$	$1 \frac{25}{32}$	6.20
	2	PL3Y2E32N *Δ													
211	2	PL3Y232N *Δ	$2 \frac{7}{16}$	$6 \frac{3}{4}$	$9 \frac{1}{16}$	$2 \frac{13}{16}$	$2 \frac{3}{8}$	$\frac{5}{8}$	$\frac{15}{16}$	$4 \frac{15}{16}$	3	$1 \frac{5}{16}$	$1 \frac{23}{32}$	$2 \frac{1}{64}$	8.00
	$2 \frac{3}{16}$	PL3Y235N *Δ													
	$2 \frac{1}{4}$	PL3Y236N *Δ													
212	$2 \frac{3}{8}$	PL3Y238N *Δ	$2 \frac{11}{16}$	$7 \frac{1}{2}$	$9 \frac{1}{2}$	$3 \frac{1}{16}$	$2 \frac{1}{2}$	$\frac{5}{8}$	$1 \frac{1}{8}$	$5 \frac{3}{8}$	$3 \frac{5}{16}$	$1 \frac{1}{16}$	$1 \frac{27}{32}$	$2 \frac{7}{64}$	11.60
	$2 \frac{7}{16}$	PL3Y239N *Δ													

Additional Notes

- Please call 1-866-REXNORD for availability
- Lubrication fitting tap size: for size code 203, 1/4 in-28 UNF: for all other size codes, 1/8 in PT
- Base to centerline tolerance, +.000 in/-0.010 in (+0.00 mm/-0.25 mm)
- * N lip seals standard
- Available with H labyrinth seals
- Δ Available with E3 triple lip seals

For the Selection Guide, Load Ratings and Speed Limits, see the Link-Belt 200 Series Ball Bearing Engineering section
 Note: Dimensions subject to change. Certified dimensions of ordered material furnished on request.

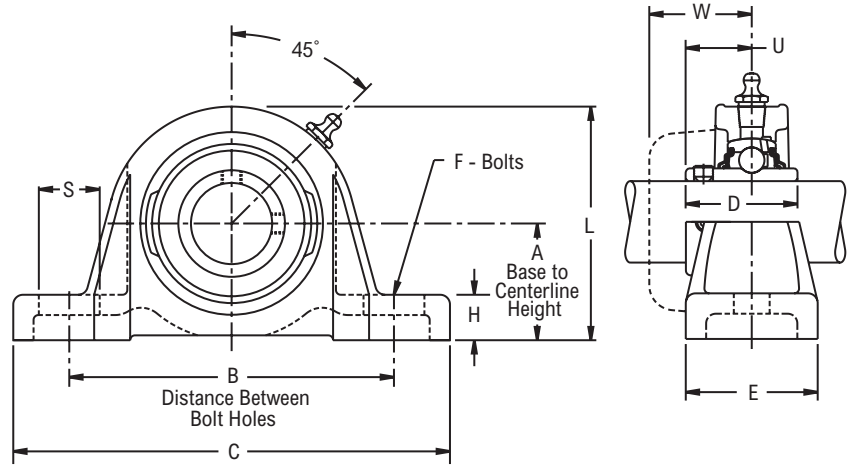
PL3U200



Photo Shows a 2-Bolt Ball Bearing Pillow Block Unit

Product Features

- Corrosion-resistant powder coating
- Cast iron housing
- Broad range of sealing options
- Wide inner ring for increased shaft stability
- Spring locking setscrew mount
- Alignable & relubricatable
- Low base to center height
- See Features & Benefits for additional info.



Bearing Dimensions

Size Code	Shaft Diameter	Part Number	A Base to Centerline Height	B Distance Between Bolt Holes	C	D	E	F	H	L	S	U	W	Approx. Weight
203	5/8	PL3U210N *■	1 1/16	3 1/2	4 3/4	1 3/32	1 3/8	3/8	1/2	2 1/8	9/16	41/64	1 13/64	0.90
	11/16	PL3U211N *■												
	1/2	PL3U2B08N *■												
	17.00	PL3U2M17N *■	26.99	88.90	120.60	27.78	34.90	10.00	12.70	54.00	14.30	16.30	30.60	0.41
204	3/4	PL3U212N *■	1 1/4	3 7/8	5 1/8	1 9/32	1 1/2	3/8	7/16	2 17/32	11/16	3/4	1 19/64	1.60
	20.00	PL3U2M20N *■												
205	7/8	PL3U214N *△	1 5/16	4 1/8	5 1/2	1 23/64	1 3/4	3/8	5/8	2 11/16	9/16	51/64	1 9/32	1.80
	15/16	PL3U215N *△												
	1	PL3U216N *△												
	25.00	PL3U2M25N *△												
206	1 1/8	PL3U218N *■	1 9/16	4 3/4	6 5/16	1 9/16	1 7/8	1/2	11/16	3 5/32	3/4	61/64	1 29/64	2.50
	1 3/16	PL3U219N *■												
	1 1/4	PL3U2E20N *■												
	30.00	PL3U2M30N *■	39.69	120.60	160.30	39.69	47.60	12.00	17.50	80.20	19.00	24.20	36.90	1.13
207	1 1/4	PL3U220N *△	1 13/16	4 15/16	6 3/8	1 49/64	1 7/8	1/2	3/4	3 5/8	13/16	1 7/64	1 35/64	3.50
	1 3/8	PL3U222N *△												
	1 7/16	PL3U223N *△												
	35.00	PL3U2M35N *△	46.04	125.40	161.90	44.85	47.60	12.00	19.00	92.10	20.60	28.20	39.30	1.58
208	1 1/2	PL3U224N *△	1 15/16	5 3/8	7 1/16	1 29/32	1 7/8	1/2	3/4	3 15/16	15/16	1 11/64	1 41/64	4.50
	40.00	PL3U2M40N *△												
209	1 5/8	PL3U226N *△	2 1/16	5 5/8	7 1/4	2 1/32	2	1/2	3/4	4 1/4	7/8	1 15/64	1 21/32	5.20
	1 11/16	PL3U227N *△												
	1 3/4	PL3U228N *△												
	45.00	PL3U2M45N *△	52.39	142.90	184.20	51.59	50.80	12.00	19.00	108.00	22.20	31.40	42.10	2.34
210	1 15/16	PL3U231N *△	2 3/16	6 3/16	7 7/8	2 3/32	2 1/8	5/8	13/16	4 7/16	15/16	1 17/64	1 25/32	5.90
	2	PL3U2E32N *△												
	50.00	PL3U2M50N *△	55.56	157.20	200.00	53.18	54.00	16.00	20.60	112.70	23.80	32.10	45.20	2.66
211	2	PL3U232N *△	2 7/16	6 3/4	9 1/16	2 1/4	2 3/8	5/8	15/16	4 15/16	1 5/16	1 13/32	2 1/64	7.40
	2 3/16	PL3U235N *△												
	55.00	PL3U2M55N *△												
212	2 1/4	PL3U236N *△	2 11/16	7 1/2	9 1/2	2 1/2	2 1/2	5/8	1 1/8	5 3/8	1 1/16	1 9/16	2 7/64	11.00
	2 3/8	PL3U238N *△												
	2 7/16	PL3U239N *△												
	60.00	PL3U2M60N *△												

Additional Notes

- Please call 1-866-REXNORD for availability
- Lubrication fitting tap size: for size code 203, 1/4 in-28 UNF; for all other size codes, 1/8 in PT
- Base to centerline tolerance, +.000 in/-0.010 in (+0.00 mm/-0.25 mm)
- * N lip seals standard
- Available with H labyrinth seals
- △ Available with E3 triple lip seals
- For the Selection Guide, Load Ratings and Speed Limits, see the Link-Belt 200 Series Ball Bearing Engineering section

Note: Dimensions subject to change. Certified dimensions of ordered material furnished on request.

PL3W200

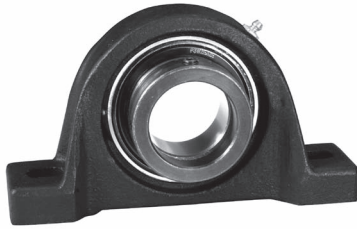
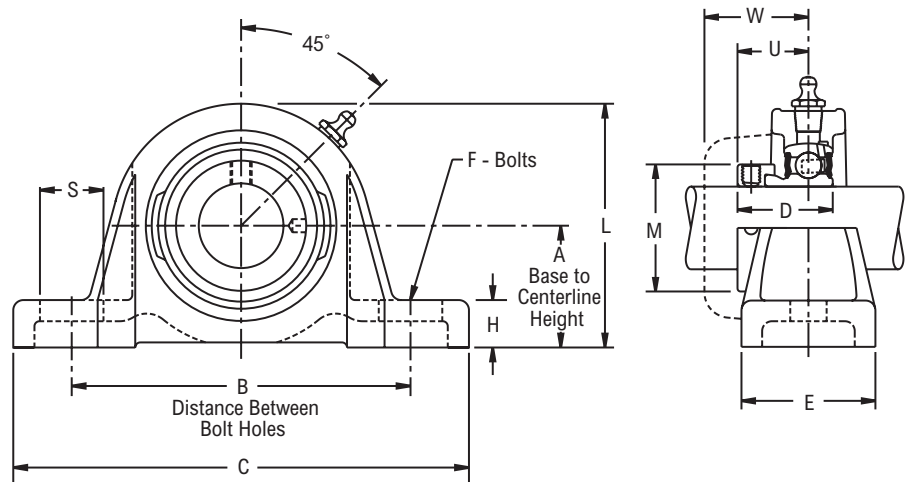


Photo Shows a 2-Bolt Ball Bearing Pillow Block Unit

Product Features

- Corrosion-resistant powder coating
- Cast iron housing
- Eccentric cam locking device
- Alignable & relubricatable
- Low base to center height
- See Features & Benefits for additional info.



Bearing Dimensions

Size Code	Shaft Diameter	Part Number	A Base to Centerline Height	B Distance Between Bolt Holes	C	D	E	F	H	L	M	S	U	W	Approx. Weight
203	$\frac{5}{8}$	PL3W210E ▲	$1 \frac{1}{16}$	$3 \frac{1}{2}$	$4 \frac{3}{4}$	$1 \frac{1}{8}$	$1 \frac{3}{8}$	$\frac{3}{8}$	$\frac{1}{2}$	$2 \frac{1}{8}$	$1 \frac{1}{8}$	$\frac{9}{16}$	$\frac{7}{8}$	$1 \frac{13}{64}$	0.90
	$\frac{1}{2}$	PL3W2B08E ▲													
204	$\frac{3}{4}$	PL3W212E ▲	$1 \frac{1}{4}$	$3 \frac{7}{8}$	$5 \frac{1}{8}$	$1 \frac{7}{32}$	$1 \frac{1}{2}$	$\frac{3}{8}$	$\frac{7}{16}$	$2 \frac{17}{32}$	$1 \frac{5}{16}$	$\frac{11}{16}$	$\frac{59}{64}$	$1 \frac{19}{64}$	1.60
	$\frac{7}{8}$	PL3W214E ▲													
205	$\frac{15}{16}$	PL3W215E ▲	$1 \frac{5}{16}$	$4 \frac{1}{8}$	$5 \frac{1}{2}$	$1 \frac{7}{32}$	$1 \frac{3}{4}$	$\frac{3}{8}$	$\frac{5}{8}$	$2 \frac{11}{16}$	$1 \frac{1}{2}$	$\frac{9}{16}$	$\frac{59}{64}$	$1 \frac{9}{32}$	1.80
	1	PL3W216E ▲													
206	$1 \frac{1}{8}$	PL3W218E ▲	$1 \frac{9}{16}$	$4 \frac{3}{4}$	$6 \frac{5}{16}$	$1 \frac{13}{32}$	$1 \frac{7}{8}$	$\frac{1}{2}$	$\frac{11}{16}$	$3 \frac{5}{32}$	$1 \frac{3}{4}$	$\frac{3}{4}$	$1 \frac{3}{64}$	$1 \frac{29}{64}$	2.50
	$1 \frac{3}{16}$	PL3W219E ▲													
	$1 \frac{1}{4}$	PL3W2E20E ▲													
207	$1 \frac{1}{4}$	PL3W220E ▲	$1 \frac{13}{16}$	$4 \frac{15}{16}$	$6 \frac{3}{8}$	$1 \frac{17}{32}$	$1 \frac{7}{8}$	$\frac{1}{2}$	$\frac{3}{4}$	$3 \frac{5}{8}$	$2 \frac{3}{16}$	$\frac{13}{16}$	$1 \frac{5}{32}$	$1 \frac{35}{64}$	3.70
	$1 \frac{3}{8}$	PL3W222E ▲													
	$1 \frac{7}{16}$	PL3W223E ▲													
208	$1 \frac{1}{2}$	PL3W224E ▲	$1 \frac{15}{16}$	$5 \frac{3}{8}$	$7 \frac{1}{16}$	$1 \frac{23}{32}$	$1 \frac{7}{8}$	$\frac{1}{2}$	$\frac{3}{4}$	$3 \frac{15}{16}$	$2 \frac{3}{8}$	$\frac{15}{16}$	$1 \frac{9}{32}$	$1 \frac{41}{64}$	4.60
	$1 \frac{5}{8}$	PL3W226E ▲													
209	$1 \frac{11}{16}$	PL3W227E ▲	$2 \frac{1}{16}$	$5 \frac{5}{8}$	$7 \frac{1}{4}$	$1 \frac{23}{32}$	2	$\frac{1}{2}$	$\frac{3}{4}$	$4 \frac{1}{4}$	$2 \frac{1}{2}$	$\frac{7}{8}$	$1 \frac{9}{32}$	$1 \frac{21}{32}$	5.00
	$1 \frac{3}{4}$	PL3W228E ▲													
210	$1 \frac{15}{16}$	PL3W231E ▲	$2 \frac{3}{16}$	$6 \frac{3}{16}$	$7 \frac{7}{8}$	$1 \frac{23}{32}$	$2 \frac{1}{8}$	$\frac{5}{8}$	$\frac{13}{16}$	$4 \frac{7}{16}$	$2 \frac{3}{4}$	$\frac{15}{16}$	$1 \frac{9}{32}$	$1 \frac{25}{32}$	5.50
	2	PL3W2E32E ▲													

Additional Notes

- Please call 1-866-REXNORD for availability
- Lubrication fitting tap size: for size code 203, 1/4 in-28 UNF: for all other size codes, 1/8 in PT
- Base to centerline tolerance, $\pm .000$ in/ $\pm .010$ in (± 0.00 mm/ -0.25 mm)
- ▲ E lip seals standard
- For the Selection Guide, Load Ratings and Speed Limits, see the Link-Belt 200 Series Ball Bearing Engineering section
- Note: Dimensions subject to change. Certified dimensions of ordered material furnished on request.

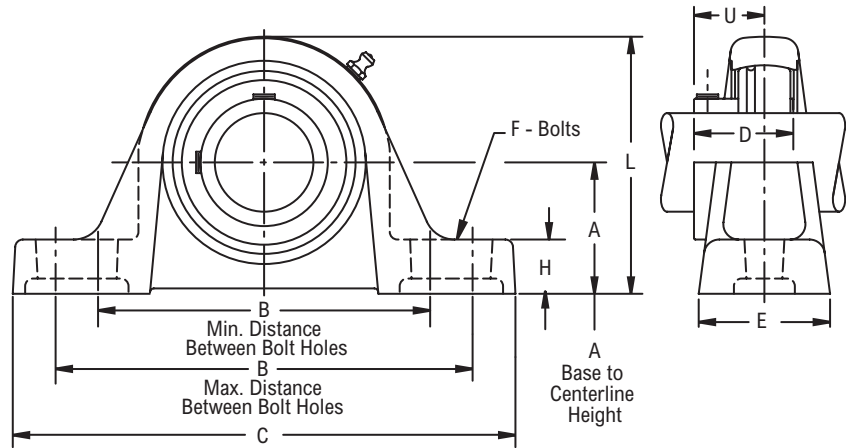
PL3S200



Photo Shows a 2-Bolt Ball Bearing Pillow Block Unit

Product Features

- Corrosion-resistant powder coating
- Cast iron housing
- Broad range of sealing options
- Spring locking setscrew mount
- Alignable & relubricatable
- Low base to center height
- See Features & Benefits for additional info.



Bearing Dimensions

Size Code	Shaft Diameter	Part Number	A Base to Centerline Height	B Distance Between Bolt Holes		C	D	E	F	H	L	U	Approx. Weight
				Min	Max								
203	1/2	PL3S2B08E	1 1/16	3 1/8	4 1/8	5	63/64	1 5/16	3/8	3/8	2 5/32	41/64	1.06
	5/8	PL3S210E											1.02
	11/16	PL3S211E											1.00
204	3/4	PL3S212E	1 1/4	3 3/8	4 3/16	5 1/4	1 1/8	1 7/16	3/8	15/32	2 15/32	3/4	1.44
	20.00	PL3S2M20E	31.75	85.70	106.40	133.30	28.58	36.52	10.00	11.90	62.70	19.00	0.60
205	7/8	PL3S214E	1 5/16	3 7/16	4 9/16	5 1/2	1 11/64	1 7/16	3/8	15/32	2 11/16	51/64	1.71
	15/16	PL3S215E											1.68
	1	PL3S26E											1.67
	25.00	PL3S2M25E											33.32
206	1 1/8	PL3S218E	1 9/16	4 1/8	5 1/8	6 1/4	1 11/32	1 5/8	1/2	17/32	3 1/8	61/64	2.27
	1 3/16	PL3S219E											2.24
	1 1/4	PL3S2E20E											2.21
	30.00	PL3S2M30E											39.67
207	1 1/4	PL3S220E	1 13/16	4 9/16	5 9/16	6 11/16	1 9/16	1 3/4	1/2	11/16	3 5/8	1 7/64	3.47
	1 3/8	PL3S222E											3.37
	1 7/16	PL3S223E											3.31
	35.00	PL3S2M35E											46.02
208	1 1/2	PL3S224E	1 15/16	5 1/32	6 1/32	7 1/4	1 21/32	1 7/8	1/2	11/16	3 15/16	1 11/64	4.54
	1 5/8	PL3S2E26E											4.40
	40.00	PL3S2M40E											49.22
209	1 5/8	PL3S226E	2 1/16	5 13/32	6 17/32	7 3/4	1 49/64	2	1/2	27/32	4 3/16	1 15/64	5.22
	1 11/16	PL3S227E											5.15
	1 3/4	PL3S228E											5.08
210	1 7/8	PL3S230E	2 3/16	5 27/32	6 27/32	8 1/4	1 13/16	2 1/8	5/8	15/16	4 7/16	1 17/64	6.15
	1 15/16	PL3S231E											6.06
	2	PL3S2E32E											5.97
	2	PL3S232E											7.61
211	2 3/16	PL3S235E	2 7/16	6 5/16	7 1/2	8 7/8	1 13/16	2 5/16	5/8	15/16	4 29/32	1 9/32	7.31
	2 1/4	PL3S2E36E											7.21
	2 1/4	PL3S236E											10.07
212	2 3/8	PL3S238E	2 11/16	6 29/32	8 5/32	9 5/8	1 57/64	2 3/8	5/8	1	5 13/32	1 5/16	9.83
	2 7/16	PL3S239E											9.71
	2 15/16	PL3S247E											16.23

Additional Notes

- Please call 1-866-REXNORD for availability
- Lubrication fitting tap size: for size codes 203 thru 205, 1/4-28 UNF; for all other size codes, 1/8 in PT
- Base to centerline tolerance, +/- .005 in (+/- 0.13 mm)
- Lip seals standard
- ◆ Available with E1 viton seals for all size codes

Available with free running style seals, add suffix ● FF, □ HFF or Δ MHFF for all size codes
 For the Selection Guide, Load Ratings and Speed Limits, see the Link-Belt Ball Bearing Engineering section

Note: Dimensions subject to change. Certified dimensions of ordered material furnished on request.

PT3U200

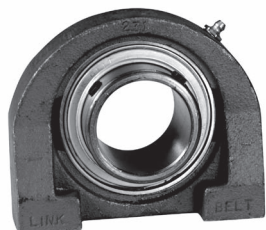
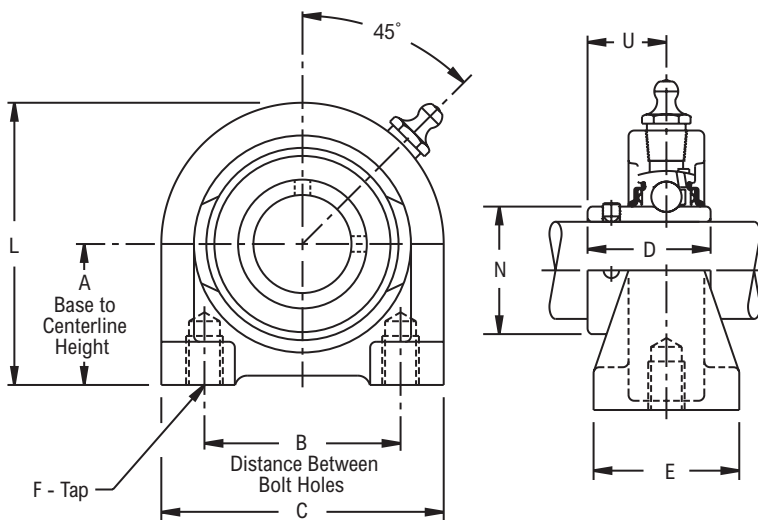


Photo Shows a 2-Bolt Ball Bearing Tapped Base Pillow Block

Product Features

- Corrosion-resistant powder coating
- Cast iron tapped base housing
- Broad range of sealing options
- Wide inner ring for increased shaft stability
- Spring locking setscrew mount
- Alignable & relubricatable
- See Features & Benefits for additional info.



Bearing Dimensions

Size Code	Shaft Diameter	Part Number	A Base to Centerline Height	B Distance Between Bolt Holes	C	D	E	F Depth	F Tap	L	N	U	Approx. Weight
204	3/4	PT3U212N *■	1 5/16	2	2 7/8	1 9/32	1 1/2	1/2	3/8-16	2 19/32	1 1/8	3/4	1.20
	7/8	PT3U214N *Δ	1 7/16	2	2 7/8	1 23/64	1 1/2	1/2	3/8-16	2 7/8	1 5/16	5 1/64	1.40
205	15/16	PT3U215N *Δ											
	1	PT3U216N *Δ	1 11/16	3	4	1 9/16	1 1/2	5/8	7/16-14	3 5/16	1 19/32	6 1/64	2.50
206	1 1/8	PT3U218N *■											
	1 3/16	PT3U219N *■											
207	1 1/4	PT3U220N *Δ	1 7/8	3 1/4	4 13/32	1 49/64	2	3/4	1/2-13	3 11/16	1 27/32	1 7/64	3.40
	1 3/8	PT3U222N *Δ											
	1 7/16	PT3U223N *Δ											
209	1 11/16	PT3U227N *Δ	2 1/8	3 3/4	5	2 1/32	2	7/8	1/2-13	4 1/4	2 9/32	1 15/64	4.90
	1 3/4	PT3U228N *Δ											
210	1 15/16	PT3U231N *Δ	2 1/4	4	5 7/16	2 3/32	2	7/8	5/8-11	4 1/2	2 15/32	1 17/64	5.60
	2	PT3U232N *Δ											

Additional Notes

Please call 1-866-REXNORD for availability
 Lubrication fitting tap size, 1/8 in PT
 Base to centerline tolerance, +.000 in/-0.010 in (+0.00 mm/-0.25 mm)

* N lip seals standard

■ Available with H labyrinth seals

Δ Available with E3 triple lip seals

For the Selection Guide, Load Ratings and Speed Limits, see the Link-Belt 200 Series Ball Bearing Engineering section

Note: Dimensions subject to change. Certified dimensions of ordered material furnished on request.

PT3S200

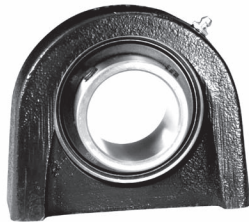
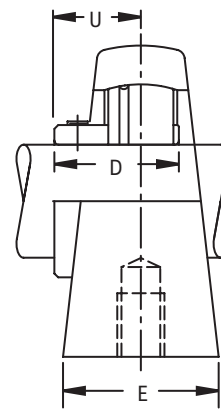
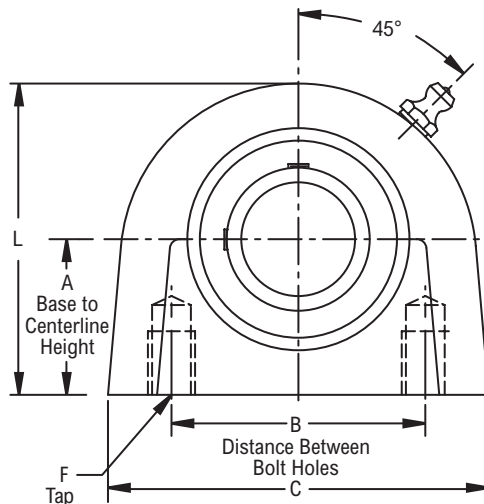


Photo Shows a 2-Bolt Ball Bearing Tapped Base Pillow Block

Product Features

- Corrosion-resistant powder coating
- Cast iron tapped base housing
- Broad range of sealing options
- Spring locking setscrew mount
- Alignable & relubricatable
- See Features & Benefits for additional info.



Bearing Dimensions

Size Code	Shaft Diameter	Part Number	A Base to Centerline Height	B Distance Between Bolt Holes	F		C	D	E	L	U	Approx. Weight									
					Depth	Tap															
203	1/2	PT3S2B08E	1 5/16	2	1/2	3/8-16	2 7/8	63/64	1 5/16	2 13/32	41/64	1.06									
	5/8	PT3S210E										1.02									
	11/16	PT3S211E										1.00									
204	3/4	PT3S212E	1 5/16	2	1/2	3/8-16	2 7/8	1 1/8	1 7/16	2 17/32	3/4	1.20									
	20.00	PT3S2M20E										33.32	50.80	12.70	3/8-16	73.00	28.58	36.52	64.30	19.00	0.50
	7/8	PT3S214E										1 7/16	2	1/2	3/8-16	3	1 11/64	1 7/16	2 13/16	51/64	1.40
15/16	PT3S215E	1.37																			
1	PT3S26E	1.34																			
	25.00	PT3S2M25E	36.52	50.80	12.70	3/8-16	76.20	29.77	36.52	71.40	20.20	0.60									
206	1 1/8	PT3S218E	1 11/16	3	5/8	7/16-14	4	1 11/32	1 5/8	3 1/4	61/64	2.35									
	1 3/16	PT3S219E										2.32									
	1 1/4	PT3S2E20E										2.29									
	30.00	PT3S2M30E										42.88	76.20	15.90	7/16-14	101.60	34.14	41.28	82.60	24.20	1.00
207	1 1/4	PT3S220E	1 7/8	3 1/4	3/4	1/2-13	4 1/4	1 9/16	1 3/4	3 11/16	1 7/64	3.13									
	1 3/8	PT3S222E										3.03									
	1 7/16	PT3S223E										2.97									
	35.00	PT3S2M35E										47.62	82.55	19.00	1/2-13	108.00	39.67	44.45	93.70	28.20	1.40
208	1 1/2	PT3S224E	1 15/16	3 1/2	3/4	1/2-13	4 5/8	1 21/32	1 7/8	3 15/16	1 11/64	3.67									
	1 5/8	PT3S2E26E										3.53									
	40.00	PT3S2M40E										49.22	88.90	19.00	1/2-13	117.50	42.06	47.62	100.00	29.80	1.60
209	1 5/8	PT3S226E	2 1/8	3 3/4	3/4	1/2-13	5	1 49/64	2	4 1/4	1 15/64	4.75									
	1 11/16	PT3S227E										4.68									
	1 3/4	PT3S228E										4.61									
210	1 7/8	PT3S230E	2 1/4	4	7/8	5/8-11	5 1/2	1 13/16	2 1/8	4 1/2	1 17/64	5.66									
	1 15/16	PT3S231E										5.57									
	2	PT3S2E32E										5.48									

Additional Notes

- Please call 1-866-REXNORD for availability
- Lubrication fitting tap size: for size codes 203 thru 205, 1/4-28 UNF; for all other size codes, 1/8 in PT
- Base to centerline tolerance, +/- .005 in (+/- 0.13 mm)
- Lip seals standard
- ◆ Available with E1 viton seals
- Available with free running style seals, add suffix ● FF, □ HFF or Δ MHFF
- For the Selection Guide, Load Ratings and Speed Limits, see the Link-Belt Ball Bearing Engineering section

Note: Dimensions subject to change. Certified dimensions of ordered material furnished on request.

PSY200

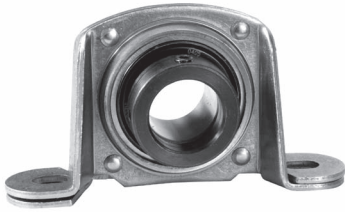
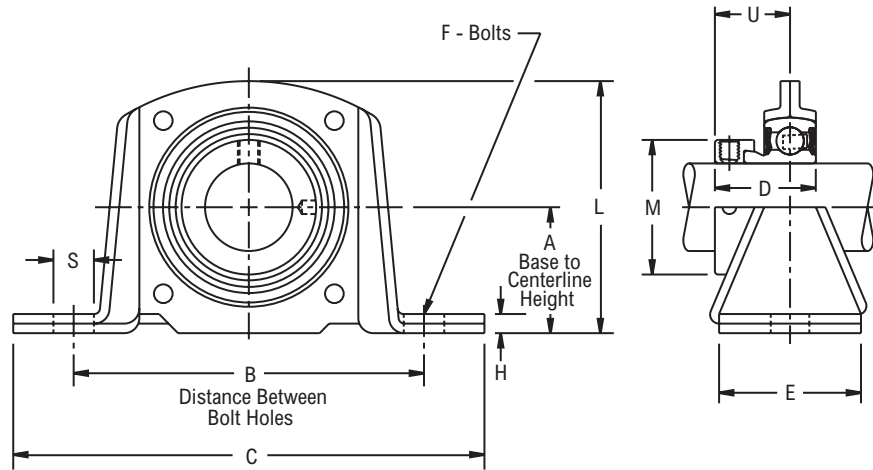


Photo Shows a 2-Bolt Ball Bearing Pillow Block Unit with Stamped Steel Housing

Product Features

- Formed steel housing
- Broad range of sealing options
- Wide inner ring for increased shaft stability
- Eccentric cam locking device
- Alignable & non-relubricatable
- See Features & Benefits for additional info.



Bearing Dimensions

Size Code	Shaft Diameter	Part Number	Radial Load Rating	A Base to Centerline Height	B Distance Between Bolt Holes	C	D	E	F	H	L	M	S	U	Approx. Weight
203	$\frac{1}{2}$	PSY2B08N *■	600	$1 \frac{3}{16}$	$3 \frac{1}{2}$	$4 \frac{5}{8}$	$1 \frac{15}{32}$	$1 \frac{1}{16}$	$\frac{3}{8}$	$\frac{7}{32}$	$2 \frac{11}{32}$	$1 \frac{1}{8}$	$\frac{33}{64}$	$\frac{59}{64}$	0.90
	$\frac{5}{8}$	PSY210N *■													
	$\frac{11}{16}$	PSY211N *■													
204	$\frac{3}{4}$	PSY212N *■	700	$1 \frac{5}{16}$	$3 \frac{7}{8}$	$5 \frac{1}{8}$	$1 \frac{23}{32}$	$1 \frac{1}{8}$	$\frac{3}{8}$	$\frac{7}{32}$	$2 \frac{5}{8}$	$1 \frac{5}{16}$	$\frac{9}{16}$	$1 \frac{3}{64}$	1.10
	$\frac{7}{8}$	PSY214N *Δ■													
205	$\frac{15}{16}$	PSY215N *Δ■	800	$1 \frac{7}{16}$	$4 \frac{1}{16}$	$5 \frac{3}{8}$	$1 \frac{3}{4}$	$1 \frac{7}{32}$	$\frac{3}{8}$	$\frac{7}{32}$	$2 \frac{55}{64}$	$1 \frac{1}{2}$	$\frac{1}{2}$	$1 \frac{1}{16}$	1.30
	1	PSY216N *Δ■													
	$1 \frac{1}{8}$	PSY218N *■													
206	$1 \frac{3}{16}$	PSY219N *■	985	$1 \frac{11}{16}$	$4 \frac{49}{64}$	$6 \frac{5}{16}$	$1 \frac{29}{32}$	$1 \frac{7}{16}$	$\frac{1}{2}$	$\frac{5}{16}$	$3 \frac{5}{16}$	$1 \frac{3}{4}$	$\frac{49}{64}$	$1 \frac{3}{16}$	2.00
	$1 \frac{1}{4}$	PSY2E20N *■													
	$1 \frac{1}{4}$	PSY220N *Δ■													
207	$1 \frac{3}{8}$	PSY222N *Δ■	1,300	$1 \frac{7}{8}$	$5 \frac{5}{64}$	$6 \frac{15}{16}$	$2 \frac{1}{64}$	$1 \frac{5}{8}$	$\frac{1}{2}$	$\frac{5}{16}$	$3 \frac{3}{4}$	$2 \frac{3}{16}$	$\frac{49}{64}$	$1 \frac{9}{32}$	2.70
	$1 \frac{7}{16}$	PSY223N *Δ■													

Additional Notes

Please call 1-866-REXNORD for availability

* N lip seals standard

■ Available with H labyrinth seals

Δ Available with E3 triple lip seals

For the Selection Guide, Load Ratings and Speed Limits, see the Link-Belt 200 Series

Ball Bearing Engineering section

Note: Dimensions subject to change. Certified dimensions of ordered material furnished on request.

PSU200

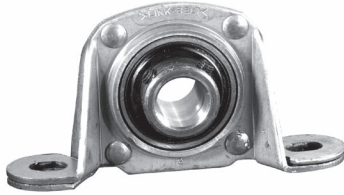
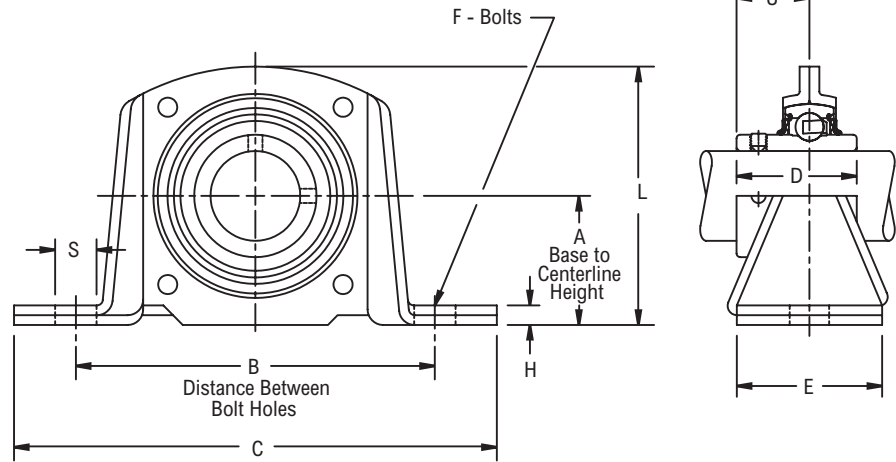


Photo Shows a 2-Bolt Ball Bearing Pillow Block Unit with Stamped Steel Housing

Product Features

- Formed steel housing
- Broad range of sealing options
- Wide inner ring for increased shaft stability
- Spring locking setscrew mount
- Alignable & non-relubricatable
- See Features & Benefits for additional info.



Bearing Dimensions

Size Code	Shaft Diameter	Part Number	Radial Load Rating	A Base to Centerline Height	B Distance Between Bolt Holes	C	D	E	F	H	L	S	U	Approx. Weight
203	$\frac{5}{8}$	PSU210N *■	600	$1 \frac{3}{16}$	$3 \frac{1}{2}$	$4 \frac{5}{8}$	$1 \frac{3}{32}$	$1 \frac{1}{16}$	$\frac{3}{8}$	$\frac{7}{32}$	$2 \frac{11}{32}$	$\frac{33}{64}$	$\frac{41}{64}$	0.90
	$\frac{11}{16}$	PSU211N *■												
	$\frac{1}{2}$	PSU2B08N *■												
204	$\frac{3}{4}$	PSU212N *■	700	$1 \frac{5}{16}$	$3 \frac{7}{8}$	$5 \frac{1}{8}$	$1 \frac{9}{32}$	$1 \frac{1}{8}$	$\frac{3}{8}$	$\frac{7}{32}$	$2 \frac{5}{8}$	$\frac{9}{16}$	$\frac{3}{4}$	1.10
	$\frac{7}{8}$	PSU214N *Δ■												
205	$\frac{15}{16}$	PSU215N *Δ■	800	$1 \frac{7}{16}$	$4 \frac{1}{16}$	$5 \frac{3}{8}$	$1 \frac{23}{64}$	$1 \frac{7}{32}$	$\frac{3}{8}$	$\frac{7}{32}$	$2 \frac{55}{64}$	$\frac{1}{2}$	$\frac{51}{64}$	1.30
	1	PSU216N *Δ■												
206	$1 \frac{1}{8}$	PSU218N *■	985	$1 \frac{11}{16}$	$4 \frac{49}{64}$	$6 \frac{5}{16}$	$1 \frac{9}{16}$	$1 \frac{7}{16}$	$\frac{1}{2}$	$\frac{5}{16}$	$3 \frac{5}{16}$	$\frac{49}{64}$	$\frac{61}{64}$	2.00
	$1 \frac{3}{16}$	PSU219N *■												
207	$1 \frac{1}{4}$	PSU220N *Δ■	1,300	$1 \frac{7}{8}$	$5 \frac{5}{64}$	$6 \frac{15}{16}$	$1 \frac{49}{64}$	$1 \frac{5}{8}$	$\frac{1}{2}$	$\frac{5}{16}$	$3 \frac{3}{4}$	$\frac{49}{64}$	$1 \frac{7}{64}$	2.70
	$1 \frac{3}{8}$	PSU222N *Δ■												
	$1 \frac{7}{16}$	PSU223N *Δ■												

Additional Notes

Please call 1-866-REXNORD for availability

* N lip seals standard

■ Available with H labyrinth seals

Δ Available with E3 triple lip seals

For the Selection Guide, Load Ratings and Speed Limits, see the Link-Belt 200 Series

Ball Bearing Engineering section

Note: Dimensions subject to change. Certified dimensions of ordered material furnished on request.

PSW200

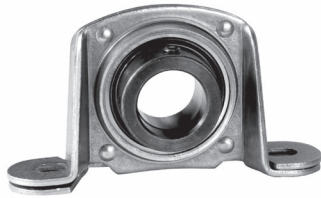
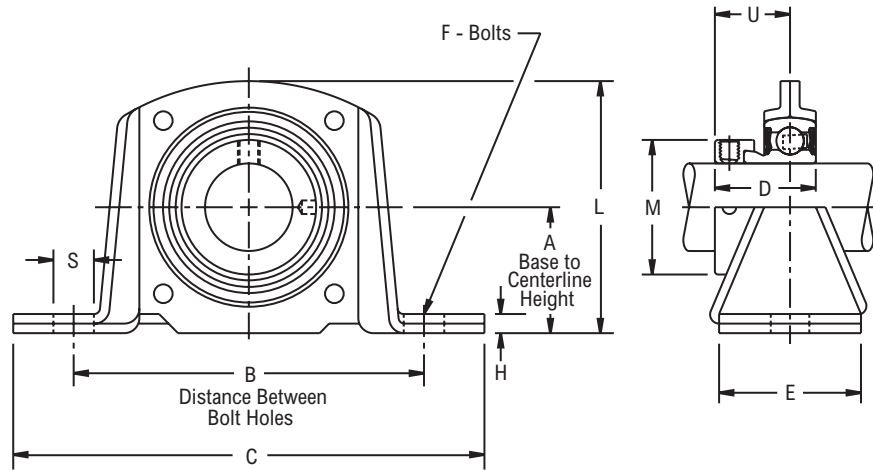


Photo Shows a 2-Bolt Ball Bearing Pillow Block Unit with Stamped Steel Housing

Product Features

- Formed steel housing
- Eccentric cam locking device
- Alignable & non-relubricatable
- See Features & Benefits for additional info.



Bearing Dimensions

Size Code	Shaft Diameter	Part Number	Radial Load Rating	A Base to Centerline Height	B Distance Between Bolt Holes	C	D	E	F	H	L	M	S	U	Approx. Weight
203	$\frac{5}{8}$	PSW210E ▲	600	$1 \frac{3}{16}$	$3 \frac{1}{2}$	$4 \frac{5}{8}$	$1 \frac{1}{8}$	$1 \frac{1}{16}$	$\frac{3}{8}$	$\frac{7}{32}$	$2 \frac{11}{32}$	$1 \frac{1}{8}$	$\frac{33}{64}$	$\frac{7}{8}$	0.70
	$\frac{1}{2}$	PSW2B08E ▲													
204	$\frac{3}{4}$	PSW212E ▲	700	$1 \frac{5}{16}$	$3 \frac{7}{8}$	$5 \frac{1}{8}$	$1 \frac{7}{32}$	$1 \frac{1}{8}$	$\frac{3}{8}$	$\frac{7}{32}$	$2 \frac{5}{8}$	$1 \frac{5}{16}$	$\frac{9}{16}$	$\frac{59}{64}$	0.90
	$\frac{7}{8}$	PSW214E ▲													
205	$\frac{15}{16}$	PSW215E ▲	800	$1 \frac{7}{16}$	$4 \frac{1}{16}$	$5 \frac{3}{8}$	$1 \frac{7}{32}$	$1 \frac{7}{32}$	$\frac{3}{8}$	$\frac{7}{32}$	$2 \frac{55}{64}$	$1 \frac{1}{2}$	$\frac{1}{2}$	$\frac{59}{64}$	1.10
	1	PSW216E ▲													
	$1 \frac{1}{8}$	PSW218E ▲													
206	$\frac{1}{8}$	PSW219E ▲	985	$1 \frac{11}{16}$	$4 \frac{49}{64}$	$6 \frac{5}{16}$	$1 \frac{13}{32}$	$1 \frac{7}{16}$	$\frac{1}{2}$	$\frac{5}{16}$	$3 \frac{5}{16}$	$1 \frac{3}{4}$	$\frac{49}{64}$	$1 \frac{3}{64}$	1.70
	$\frac{1}{16}$	PSW2E20E ▲													
	$\frac{1}{4}$	PSW220E ▲													
207	$\frac{1}{4}$	PSW220E ▲	1,300	$1 \frac{7}{8}$	$5 \frac{5}{64}$	$6 \frac{15}{16}$	$1 \frac{17}{32}$	$1 \frac{5}{8}$	$\frac{1}{2}$	$\frac{5}{16}$	$3 \frac{3}{4}$	$2 \frac{3}{16}$	$\frac{49}{64}$	$1 \frac{5}{32}$	2.40
	$\frac{3}{8}$	PSW222E ▲													
	$\frac{1}{16}$	PSW223E ▲													

Additional Notes

- Please call 1-866-REXNORD for availability
- ▲ E lip seals standard
- For the Selection Guide, Load Ratings and Speed Limits, see the Link-Belt 200 Series Ball Bearing Engineering section
- Note: Dimensions subject to change. Certified dimensions of ordered material furnished on request.

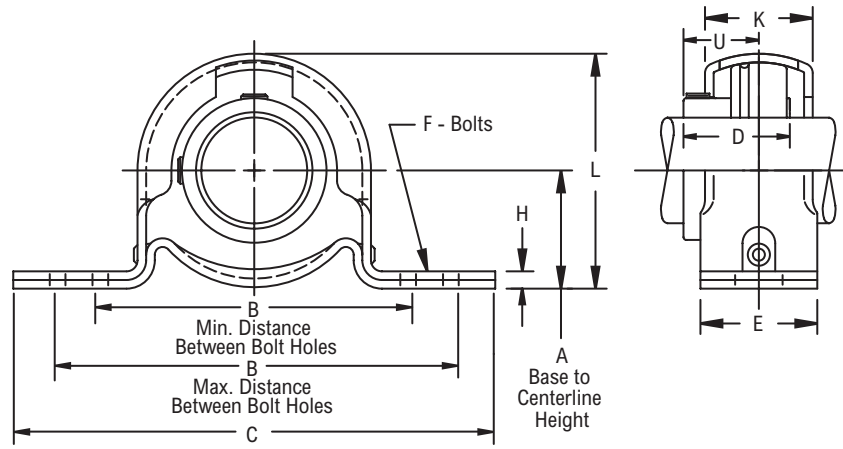
PSS200



Photo Shows a 2-Bolt Ball Bearing Pillow Block Unit with Stamped Steel Housing

Product Features

- Formed steel housing
- Broad range of sealing options
- Spring locking setscrew mount
- Alignable & non-relubricatable
- See Features & Benefits for additional info.



Bearing Dimensions

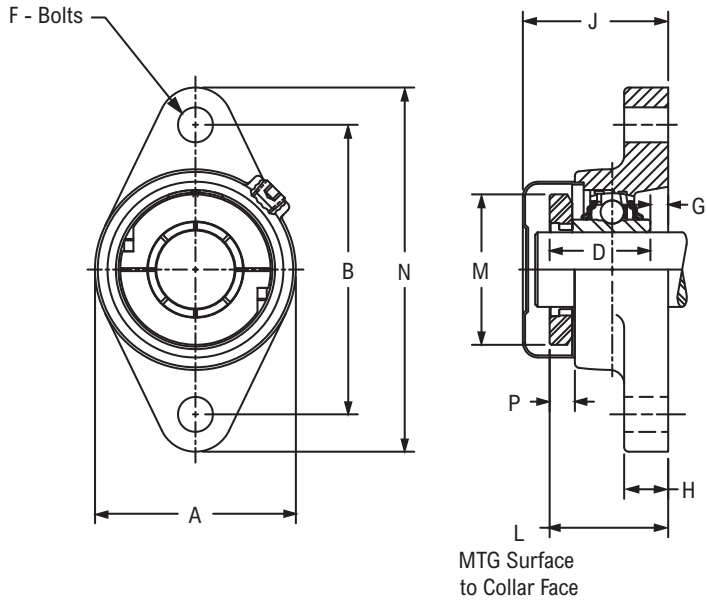
Size Code	Shaft Diameter	Part Number	A Base to Centerline Height	B Distance Between Bolt Holes		C	D	E	F	H	K	L	U	Radial Load Rating	Approx. Weight	
				Min	Max											
203	1/2	PSS2B08E	7/8	2 1/2	2 7/8	3 5/8	63/64	1	5/16	3/4	13/16	1 3/4	41/64	300	0.50	
	5/8	PSS210E														0.46
	11/16	PSS211E														0.44
204	3/4	PSS212E	1	2 7/8	3 1/8	4 1/8	1 1/8	1	3/8	7/8	59/64	2 1/16	23/32	350	0.63	
	20.00	PSS2M20E	25.40	73.00	79.40	104.80	28.58	25.40	10.00	22.20	23.42	52.40	18.30	1,560	0.30	
205	7/8	PSS214E	1 1/8	3 3/16	3 9/16	4 1/2	1 11/64	1 1/8	3/8	3/4	1 1/16	2 7/32	3/4	400	0.81	
	15/16	PSS215E													0.78	
	1	PSS26E													0.75	
	25.00	PSS2M25E													28.58	81.00
206	1 1/8	PSS218E	1 5/16	3 9/16	3 15/16	4 7/8	1 11/32	1 1/8	3/8	7/8	1 3/16	2 5/8	7/8	600	1.19	
	1 3/16	PSS219E													1.14	
	1 1/4	PSS2E20E													1.11	
	30.00	PSS2M30E													33.32	90.50
207	1 1/4	PSS220E	1 9/16	3 15/16	4 7/16	5 3/4	1 9/16	1 1/4	1/2	1	1 3/16	3 1/8	1	800	1.65	
	1 3/8	PSS222E													1.55	
	1 7/16	PSS223E													1.50	

Additional Notes

- Please call 1-866-REXNORD for availability
- Lubrication fitting tap size: for size codes 203 thru 205, 1/4-28 UNF; for all other size codes, 1/8 in PT
- Base to centerline tolerance, +/- .005 in (+/- 0.13 mm)
- Lip seals standard
- ◆ Available with E1 viton seals
- Available with free running style seals, add suffix ● FF, □ HFF or Δ MHFF
- For the Selection Guide, Load Ratings and Speed Limits, see the Link-Belt Ball Bearing Engineering section

Note: Dimensions subject to change. Certified dimensions of ordered material furnished on request.

FX3CL200



Product Features

- Corrosion-resistant powder coating
- Cast iron housing
- Broad range of sealing options
- Wide inner ring for increased shaft stability
- Alignable & relubricatable
- See Features & Benefits for additional info.

Bearing Dimensions

Size Code	Shaft Diameter	Part Number	B Distance Between Bolt Holes	L Mounting Surface to Collar Face	A	D	F	G	H	J	M	N	P	Approx. Weight	
204	3/4	FX3CL212N* ■	3 17/32	1 9/16	2 7/16	1 11/32	3/8	13/64	9/16	2 1/16	1 59/64	4 13/32	3/8	1.20	
	20.00	FX3CL2M20N* ■	89.69	39.90	61.90	34.04	10.00	5.20	14.30	52.30	48.77	111.90	9.53	0.54	
205	7/8	FX3CL214N* ■	3 57/64	1 17/32	2 11/16	1 3/8	7/16	3/16	19/32	2 1/16	2 5/64	4 29/32	3/8	1.60	
	15/16	FX3CL215N* ■													
	1	FX3CL216N* ■	25.00	FX3CL2M25N* ■	98.82	38.90	68.30	34.80	10.00	4.80	15.10	52.30	52.83	124.60	9.53
206	1	FX3CL2B16N* ■	4 19/32	1 47/64	3 3/16	1 9/16	7/16	11/64	19/32	2 1/4	2 15/32	5 19/32	27/64	2.40	
	1 1/8	FX3CL218N* ■													
	1 3/16	FX3CL219N* ■													
	1 1/4	FX3CL2E20N* ■													30.00
207	1 3/16	FX3CL2B19N* ■	5 1/8	1 29/32	3 5/8	1 3/4	1/2	5/32	5/8	2 25/64	2 7/8	6 1/8	1/2	3.00	
	1 1/4	FX3CL220N* ■													
	1 3/8	FX3CL222N* ■													
	1 7/16	FX3CL223N* ■													35.00
208	1 7/16	FX3CL2B23N* ■	5 21/32	2 1/8	4	1 15/16	1/2	11/64	5/8	2 37/64	3 3/64	6 25/32	35/64	4.20	
	1 1/2	FX3CL224N* ■													
	1 5/8	FX3CL2E26N* ■													40.00
209	1 1/2	FX3CL2B24N* ■	5 27/32	2 1/8	4 1/4	1 61/64	1/2	7/64	5/8	2 19/32	3 17/64	7 3/32	33/64	5.10	
	1 5/8	FX3CL226N* ■													
	1 11/16	FX3CL227N* ■													
	1 3/4	FX3CL228N* ■													45.00
210	1 11/16	FX3CL2B27N* ■	6 3/16	2 7/16	4 9/16	2 5/64	9/16	19/64	3/4	2 59/64	3 5/8	7 7/16	39/64	6.30	
	1 3/4	FX3CL2B28N* ■													
	1 7/8	FX3CL230N* ■													
	1 15/16	FX3CL231N* ■													

Continued...

Continued...

Bearing Dimensions

Size Code	Shaft Diameter	Part Number	A	B Distance Between Bolt Holes	D	F	G	H	J	L Mounting Surface to Collar Face	M	N	P	Approx. Weight
210	2	FX3CL2E32N* Δ ■	4 ⁹ / ₁₆	6 ³ / ₁₆	2 ⁵ / ₆₄	⁹ / ₁₆	¹⁹ / ₆₄	³ / ₄	2 ⁵⁹ / ₆₄	2 ⁷ / ₁₆	3 ⁵ / ₈	7 ⁷ / ₁₆	³⁹ / ₆₄	6.30
	50.00	FX3CL2M50N* Δ ■	115.90	157.16	52.58	14.00	7.50	19.00	75.00	62.00	92.20	188.90	15.24	2.84
211	1 ¹⁵ / ₁₆	FX3CL2B31N* Δ ■	5	7 ¹ / ₄	2 ¹⁵ / ₆₄	⁵ / ₈	¹³ / ₃₂	¹³ / ₁₆	3 ¹¹ / ₆₄	2 ²¹ / ₃₂	3 ²⁹ / ₃₂	8 ¹ / ₂	²¹ / ₃₂	7.40
	2	FX3CL232N* Δ ■												
	2 ³ / ₁₆	FX3CL235N* Δ ■												
	2 ¹ / ₄	FX3CL2E36N* Δ ■												
	55.00	FX3CL2M55N* Δ ■												

Additional Notes

Please call 1-866-REXNORD for availability
Lubrication fitting tap size 1/8 in PT

* N lip seals standard

■ Available with H labyrinth seals

Δ Available with E3 triple lip seals

Nickel plated housings available, add suffix K75

For the Selection Guide, Load Ratings and Speed Limits, see the Link-Belt 200 Series Ball Bearing Engineering section

Note: Dimensions subject to change. Certified dimensions of ordered material furnished on request.

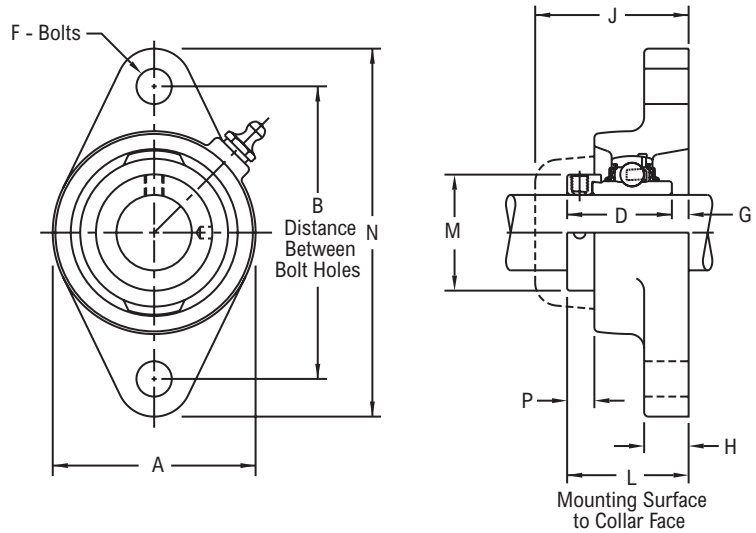
FX3Y200



Photo Shows a 2-Bolt Ball Bearing Flanged Unit

Product Features

- Corrosion-resistant powder coating
- Cast iron housing
- Broad range of sealing options
- Wide inner ring for increased shaft stability
- Eccentric cam locking device
- Alignable & relubricatable
- See Features & Benefits for additional info.



Bearing Dimensions

Size Code	Shaft Diameter	Part Number	B Distance Between Bolt Holes	L Mounting Surface to Collar Face	A	D	F	G	H	J	M	N	P	Approx. Weight
203	1/2	FX3Y2B08N*■	3	1 17/32	2 1/8	1 15/32	3/8	1/16	1/2	1 25/32	1 1/8	3 7/8	33/64	1.00
	5/8	FX3Y210N*■												
204	11/16	FX3Y211N*■	3 17/32	1 51/64	2 7/16	1 23/32	3/8	1/16	9/16	2 1/64	1 5/16	4 13/32	37/64	1.30
	3/4	FX3Y212N*■												
205	7/8	FX3Y214N*Δ	3 57/64	1 13/16	2 11/16	1 3/4	7/16	1/16	19/32	2	1 1/2	4 29/32	35/64	1.70
	15/16	FX3Y215N*Δ												
	1	FX3Y216N*Δ												
206	1 1/8	FX3Y218N*■	4 19/32	1 31/32	3 3/16	1 29/32	7/16	1/16	19/32	2 15/64	1 3/4	5 19/32	21/32	2.50
	1 3/16	FX3Y219N*■												
	1 1/4	FX3Y2E20N*■												
207	1 1/4	FX3Y220N*Δ	5 1/8	2 5/64	3 5/8	2 1/64	1/2	1/16	5/8	2 23/64	2 3/16	6 1/8	11/16	3.30
	1 3/8	FX3Y222N*Δ												
	1 7/16	FX3Y223N*Δ												
208	1 1/2	FX3Y224N*Δ	5 21/32	2 9/32	4	2 7/32	1/2	1/16	5/8	2 35/64	2 3/8	6 25/32	45/64	4.50
	1 5/8	FX3Y226N*Δ												
209	1 5/8	FX3Y226N*Δ	5 27/32	2 9/32	4 1/4	2 7/32	1/2	1/16	5/8	2 9/16	2 1/2	7 3/32	11/16	5.40
	1 11/16	FX3Y227N*Δ												
	1 3/4	FX3Y228N*Δ												
210	1 15/16	FX3Y231N*Δ	6 3/16	2 5/8	4 9/16	2 15/32	9/16	5/32	3/4	2 57/64	2 3/4	7 7/16	25/32	6.60
	2	FX3Y2E32N*■												
211	2	FX3Y232N*Δ	7 1/4	2 31/32	5	2 13/16	5/8	5/32	13/16	3 1/4	3	8 1/2	31/32	8.00
	2 3/16	FX3Y235N*Δ												

Additional Notes

Please call 1-866-REXNORD for availability
 Lubrication fitting tap size: for size code 203, 1/4 in-28 UNF: for all other size codes, 1/8 in PT

* N lip seals standard

■ Available with H labyrinth seals

Δ Available with E3 triple lip seals

Nickel plated housings available, add suffix K75

For the Selection Guide, Load Ratings and Speed Limits, see the Link-Belt 200 Series Ball Bearing Engineering section

Note: Dimensions subject to change. Certified dimensions of ordered material furnished on request.

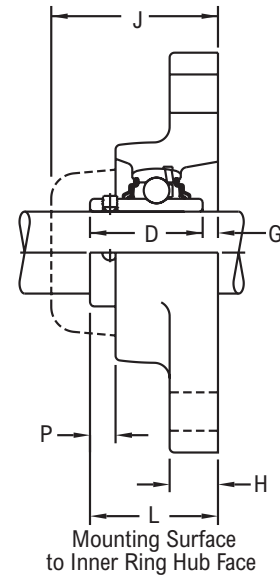
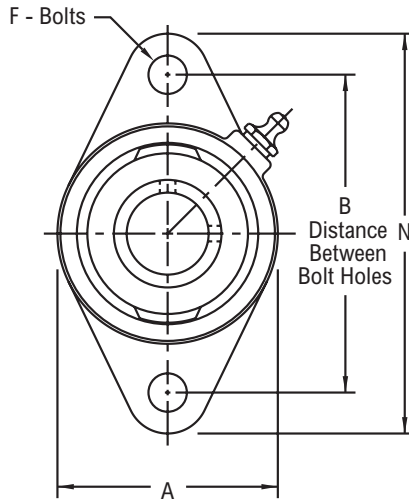
FX3U200



Photo Shows a 2-Bolt Ball Bearing Flanged Unit

Product Features

- Corrosion-resistant powder coating
- Cast iron housing
- Broad range of sealing options
- Wide inner ring for increased shaft stability
- Spring locking setscrew mount
- Alignable & relubricatable
- See Features & Benefits for additional info.



Bearing Dimensions

Size Code	Shaft Diameter	Part Number	B Distance Between Bolt Holes	L Mounting Surface to Inner Ring Hub Face	A	D	F	G	H	J	N	P	Approx. Weight
203	1/2	FX3U2B08N*■	3	1 1/4	2 1/8	1 3/32	3/8	5/32	1/2	1 25/32	3 7/8	1/4	0.90
	5/8	FX3U210N*■											
	11/16	FX3U211N*■											
	17.00	FX3U2M17N*■	76.20	31.80	54.00	27.78	10.00	4.00	12.70	45.20	98.40	6.40	0.41
204	3/4	FX3U212N*■	3 17/32	1 31/64	2 7/16	1 9/32	3/8	13/64	9/16	2 1/64	4 13/32	9/32	1.20
	20.00	FX3U2M20N*■	89.69	37.70	61.90	32.54	10.00	5.20	14.30	51.20	111.90	7.10	0.54
205	7/8	FX3U214N*Δ	3 57/64	1 35/64	2 11/16	1 23/64	7/16	3/16	19/32	2	4 29/32	19/64	1.60
	15/16	FX3U215N*Δ											
	1	FX3U216N*Δ											
	25.00	FX3U2M25N*Δ											
206	1 1/8	FX3U218N*■	4 19/32	1 47/64	3 3/16	1 9/16	7/16	11/64	19/32	2 15/64	5 19/32	27/64	2.40
	1 3/16	FX3U219N*■											
	1 1/4	FX3U2E20N*■											
	30.00	FX3U2M30N*■	116.68	44.00	81.00	39.69	10.00	4.40	15.10	56.70	142.10	10.70	1.08
207	1 1/4	FX3U220N*Δ	5 1/8	1 59/64	3 5/8	1 49/64	1/2	5/32	5/8	2 23/64	6 1/8	33/64	3.00
	1 3/8	FX3U222N*Δ											
	1 7/16	FX3U223N*Δ											
	35.00	FX3U2M35N*Δ	130.18	48.80	92.10	44.85	12.00	4.00	15.90	59.90	155.60	13.10	1.35
208	1 1/2	FX3U224N*Δ	5 21/32	2 5/64	4	1 29/32	1/2	11/64	5/8	2 35/64	6 25/32	1/2	4.20
	40.00	FX3U2M40N*Δ	143.67	52.80	101.60	48.42	12.00	4.40	15.90	64.70	172.20	12.70	1.90
209	1 5/8	FX3U226N*Δ	5 27/32	2 9/64	4 1/4	2 1/32	1/2	7/64	5/8	2 9/16	7 3/32	35/64	5.10
	1 11/16	FX3U227N*Δ											
	1 3/4	FX3U228N*Δ											
	45.00	FX3U2M45N*Δ	148.30	54.40	108.00	51.59	12.00	2.80	15.90	65.10	180.20	13.90	2.30
210	1 15/16	FX3U231N*Δ	6 3/16	2 25/64	4 9/16	2 3/32	9/16	19/64	3/4	2 57/64	7 7/16	9/16	6.30
	2	FX3U2E32N*Δ											
	50.00	FX3U2M50N*Δ											
211	2	FX3U232N*Δ	7 1/4	2 21/32	5	2 1/4	5/8	13/32	13/16	3 1/4	8 1/2	21/32	7.40
	2 3/16	FX3U235N*Δ											
	55.00	FX3U2M55N*Δ											

Additional Notes

Please call 1-866-REXNORD for availability
 Lubrication fitting tap size: for size code 203, 1/4 in-28 UNF; for all other size codes, 1/8 in PT

* N lip seals standard

■ Available with H labyrinth seals

Δ Available with E3 triple lip seals

Nickel plated housings available, add suffix K75

For the Selection Guide, Load Ratings and Speed Limits, see the Link-Belt 200 Series Ball Bearing Engineering section

Note: Dimensions subject to change. Certified dimensions of ordered material furnished on request.

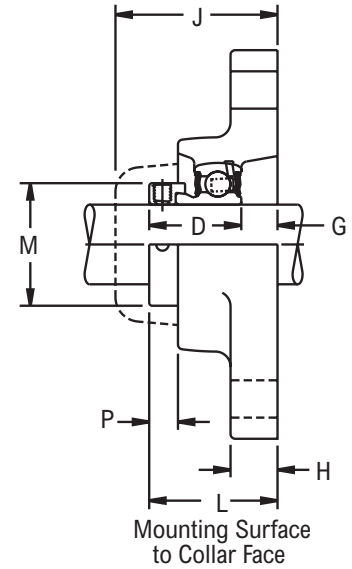
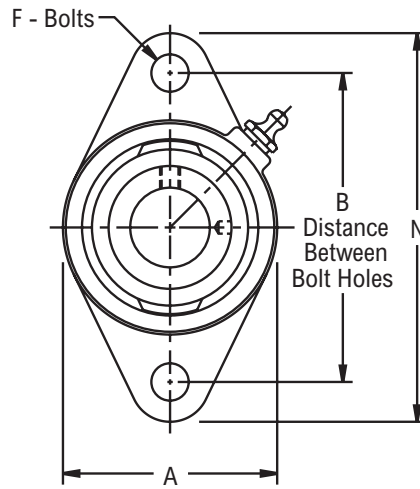
FX3W200



Photo Shows a 2-Bolt Ball Bearing Flanged Unit

Product Features

- Corrosion-resistant powder coating
- Cast iron housing
- Eccentric cam locking device
- Alignable & relubricatable
- See Features & Benefits for additional info.



Bearing Dimensions

Size Code	Shaft Diameter	Part Number	B Distance Between Bolt Holes	L Mounting Surface to Collar Face	A	D	F	G	H	J	M	N	P	Approx. Weight
203	1/2	FX3W2B08E▲	3	1 31/64	2 1/8	1 1/8	3/8	23/64	1/2	1 25/32	1 1/8	3 7/8	15/32	0.60
	5/8	FX3W210E▲												
204	3/4	FX3W212E▲	3 17/32	1 21/32	2 7/16	1 7/32	3/8	7/16	9/16	2 1/64	1 5/16	4 13/32	29/64	1.00
	7/8	FX3W214E▲												
205	15/16	FX3W215E▲	3 57/64	1 43/64	2 11/16	1 7/32	7/16	29/64	19/32	2	1 1/2	4 29/32	27/64	1.40
	1	FX3W216E▲												
206	1 1/8	FX3W218E▲	4 19/32	1 53/64	3 3/16	1 13/32	7/16	27/64	19/32	2 15/64	1 3/4	5 19/32	33/64	2.10
	1 3/16	FX3W219E▲												
207	1 1/4	FX3W220E▲	5 1/8	1 31/32	3 5/8	1 17/32	1/2	7/16	5/8	2 23/64	2 3/16	6 1/8	9/16	3.00
	1 3/8	FX3W222E▲												
208	1 7/16	FX3W223E▲	5 21/32	2 3/16	4	1 23/32	1/2	15/32	5/8	2 35/64	2 3/8	6 25/32	39/64	4.00
	1 1/2	FX3W224E▲												
209	1 5/8	FX3W226E▲	5 27/32	2 3/16	4 1/4	1 23/32	1/2	15/32	5/8	2 9/16	2 1/2	7 3/32	19/32	4.70
	1 11/16	FX3W227E▲												
210	1 3/4	FX3W228E▲	6 3/16	2 13/32	4 9/16	1 23/32	9/16	11/16	3/4	2 57/64	2 3/4	7 7/16	9/16	5.70
	1 15/16	FX3W231E▲												
	2	FX3W2E32E▲												

Additional Notes

- Please call 1-866-REXNORD for availability
- Lubrication fitting tap size: for size code 203, 1/4 in-28 UNF: for all other size codes, 1/8 in PT
- ▲ E lip seals standard
- Nickel plated housings available, add suffix K75
- For the Selection Guide, Load Ratings and Speed Limits, see the Link-Belt 200 Series Ball Bearing Engineering section
- Note: Dimensions subject to change. Certified dimensions of ordered material furnished on request.

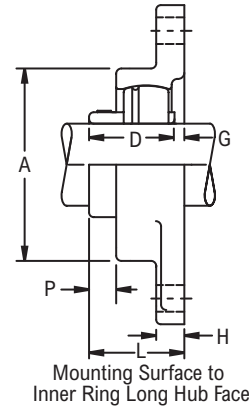
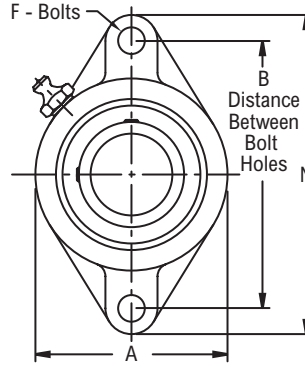
FX3S200



Photo Shows a 2-Bolt Ball Bearing Flanged Unit

Product Features

- Corrosion-resistant powder coating
- Cast iron housing
- Broad range of sealing options
- Spring locking setscrew mount
- Alignable & relubricatable
- See Features & Benefits for additional info.



Mounting Surface to Inner Ring Long Hub Face

Bearing Dimensions

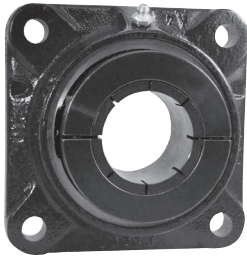
Size Code	Shaft Diameter	Part Number	B Distance Between Bolt Holes	L Mounting Surface to Inner Ring Long Hub Face	A	D	F	G	H	N	P	Approx. Weight
203	1/2	FX3S2B08E	3	1 1/8	2 5/16	63/64	3/8	9/64	3/8	3 7/8	5/16	0.81
	5/8	FX3S210E										0.77
	11/16	FX3S211E										0.75
204	3/4	FX3S212E	3 17/32	1 9/32	2 3/8	1 1/8	3/8	9/64	7/16	4 13/32	13/32	0.91
	20.00	FX3S2M20E	89.69	32.20	60.30	28.58	10.00	3.60	11.10	111.90	10.30	0.40
205	7/8	FX3S214E	3 57/64	1 5/16	2 3/4	1 11/64	7/16	1/8	1/2	4 7/8	7/16	1.32
	15/16	FX3S215E										1.29
	1	FX3S216E										1.26
	25.00	FX3S2M25E	98.82	33.30	69.80	29.77	10.00	3.20	12.70	123.80	11.10	0.60
206	1 1/8	FX3S218E	4 19/32	1 1/2	3 3/16	1 11/32	7/16	9/64	17/32	5 9/16	9/16	1.79
	1 3/16	FX3S219E										1.75
	1 1/4	FX3S2E20E										1.71
	30.00	FX3S2M30E	116.68	38.10	81.00	34.14	10.00	3.60	13.50	141.30	14.30	0.80
207	1 1/4	FX3S220E	5 1/8	1 23/32	3 11/16	1 9/16	1/2	9/64	9/16	6 1/8	21/32	2.69
	1 3/8	FX3S222E										2.59
	1 7/16	FX3S223E										2.54
	35.00	FX3S2M35E	130.18	43.70	93.70	39.67	12.00	3.60	14.30	155.60	16.70	1.20
208	1 1/2	FX3S224E	5 21/32	1 13/16	4 1/8	1 21/32	1/2	5/32	9/16	6 3/4	21/32	3.47
	1 5/8	FX3S2E26E										3.33
	40.00	FX3S2M40E										143.67
209	1 5/8	FX3S226E	5 27/32	1 29/32	4 3/8	1 49/64	9/16	1/8	9/16	7 1/16	23/32	3.46
	1 11/16	FX3S227E										3.39
	1 3/4	FX3S228E										3.32
210	1 7/8	FX3S230E	6 3/16	1 29/32	4 9/16	1 13/16	9/16	7/64	5/8	7 15/32	23/32	4.43
	1 15/16	FX3S231E										4.34
	2	FX3S2E32E										4.25
	2	FX3S232E	7 1/4	2	5	1 13/16	5/8	11/64	23/32	8 1/2	11/16	6.04
2 3/16	FX3S235E	5.74										
2 1/4	FX3S2E36E	5.64										

Additional Notes

- Please call 1-866-REXNORD for availability
- Lubrication fitting tap size: for size codes 203 thru 205, 1/4-28 UNF; for all other size codes, 1/8 in PT
- Lip seals standard
- ◆ Available with E1 viton seals
- Available with free running style seals, add suffix ● FF, □ HFF or Δ MHFF
- Nickel plated housings available, add suffix K75

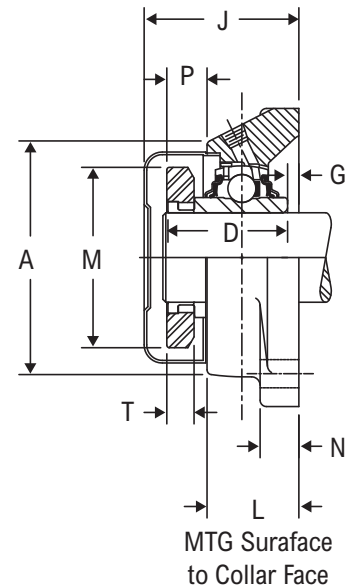
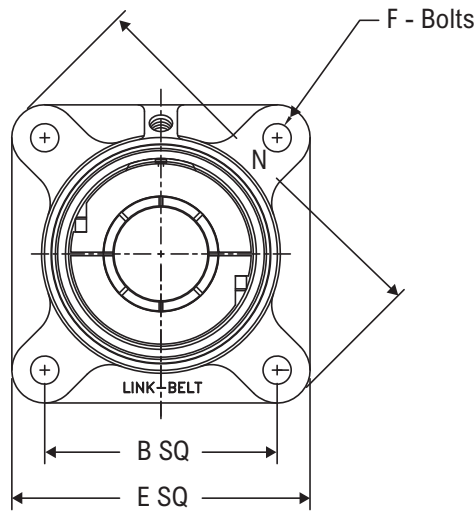
For the Selection Guide, Load Ratings and Speed Limits, see the Link-Belt Ball Bearing Engineering section
 Note: Dimensions subject to change. Certified dimensions of ordered material furnished on request.

F3CL200



Product Features

- Corrosion-resistant powder coating
- Cast iron housing
- Broad range of sealing options
- Wide inner ring for increased shaft stability
- Alignable & relubricatable
- See Features & Benefits for additional info.



Bearing Dimensions

Size Code	Shaft Diameter	Part Number	A	B Distance Between Bolt Holes	D	E	F	G	H	J	L Mounted Surface to Collar Face	M	N	P	Approx. Weight
204	³ / ₄	F3CL212N* ■	2 ⁷ / ₁₆	2 1/2	1 ¹¹ / ₃₂	3 ³ / ₈	³ / ₈	¹³ / ₆₄	⁹ / ₁₆	2 1/16	1 ⁹ / ₁₆	1 ⁵⁹ / ₆₄	4 ¹³ / ₃₂	³ / ₈	1.50
	20.00	■ F3CL2M20N*	61.90	63.50	34.04	85.70	10.00	5.20	14.30	52.30	39.90	48.77	111.90	9.53	0.68
205	⁷ / ₈	F3CL214N* ■	2 11/16	2 3/4	1 3/8	3 3/4	7/16	3/16	19/32	2 1/16	1 17/32	2 5/64	4 29/32	3/8	1.90
	¹⁵ / ₁₆	F3CL215N* ■													
	1	F3CL216N* ■													
	25.00	■ F3CL2M25N*	68.30	69.85	34.80	95.20	10.00	4.80	15.10	52.30	38.90	52.83	124.60	9.53	0.86
206	1	F3CL2B16N* ■	3 3/16	3 1/4	1 9/16	4 1/4	7/16	11/64	19/32	2 1/4	1 47/64	2 15/32	5 19/32	27/64	3.10
	^{1 1} / ₈	F3CL218N* ■													
	^{1 3} / ₁₆	F3CL219N* ■													
	^{1 1} / ₄	F3CL2E20N* ■													
	30.00	■ F3CL2M30N*	81.00	82.55	39.62	108.00	10.00	4.40	15.10	57.20	43.90	62.48	142.10	10.72	1.40
207	^{1 3} / ₁₆	F3CL2B19N* ■	3 5/8	3 5/8	1 3/4	4 5/8	1/2	5/32	5/8	2 25/64	1 29/32	2 7/8	6 1/8	1/2	3.90
	^{1 1} / ₄	F3CL220N* ■													
	^{1 3} / ₈	F3CL222N* ■													
	^{1 7} / ₁₆	F3CL223N* ■													
	35.00	■ F3CL2M35N*	92.10	92.08	44.45	117.50	12.00	4.00	15.90	60.70	48.30	73.15	155.60	12.70	1.75
208	^{1 7} / ₁₆	F3CL2B23N* ■	4	4	1 15/16	5 1/8	1/2	11/64	5/8	2 37/64	2 1/8	3 3/64	6 25/32	35/64	5.00
	^{1 1} / ₂	F3CL224N* ■													
	^{1 5} / ₈	F3CL2E26N* ■													
	40.00	■ F3CL2M40N*	101.60	101.60	49.28	130.20	12.00	4.40	15.90	65.50	53.90	77.47	172.20	13.72	2.25
209	^{1 1} / ₂	F3CL2B24N* ■	4 1/4	4 1/8	1 61/64	5 3/8	1/2	7/64	5/8	2 19/32	2 1/8	3 17/64	7 3/32	33/64	6.20
	^{1 5} / ₈	F3CL226N* ■													
	^{1 11} / ₁₆	F3CL227N* ■													
	^{1 3} / ₄	F3CL228N* ■													
	45.00	■ F3CL2M45N*	108.00	104.78	49.53	136.50	12.00	2.80	15.90	65.80	53.90	82.80	180.20	13.21	2.80
210	^{1 11} / ₁₆	F3CL2B27N* ■	4 1/2	4 3/8	2 5/64	5 5/8	1/2	13/64	3/4	2 53/64	2 23/64	3 5/8	7 7/16	5/8	6.90
	^{1 3} / ₄	F3CL2B28N* ■													
	^{1 7} / ₈	F3CL230N* ■													
	^{1 15} / ₁₆	F3CL231N* ■													

Continued...

Continued...

Bearing Dimensions

Size Code	Shaft Diameter	Part Number	A	B Distance Between Bolt Holes	D	E	F	G	H	J	L	M	N	P	Approx. Weight
210	2	F3CL2E32N*Δ■	4 1/2	4 3/8	2 5/64	5 5/8	1/2	13/64	3/4	2 53/64	2 23/64	3 5/8	7 7/16	5/8	6.90
	50.00	F3CL2M50N*Δ■	114.30	111.12	52.58	142.90	12.00	5.20	19.00	71.90	59.70	92.20	188.90	15.75	3.10
211	1 15/16	F3CL2B31N*Δ■	4 15/16	5 1/8	2 15/64	6 3/8	5/8	5/16	29/32	3 5/64	2 9/16	3 29/32	8 1/2	5/8	8.90
	2	F3CL232N*Δ■													
	2 3/16	F3CL235N*Δ■													
	2 1/4	F3CL2E36N*Δ■													
	55.00	F3CL2M55N*Δ■													
212	2 3/16	F3CL2B35N*Δ■	5 3/8	5 5/8	3 1/16	6 7/8	5/8	11/32	15/16	3 23/64	2 55/64	4 11/16	9 7/32	2 1/32	11.90
	2 1/4	F3CL236N*Δ■													
	2 3/8	F3CL238N*Δ■													
	2 7/16	F3CL239N*Δ■													
	60.00	F3CL2M60N*Δ■													

Additional Notes

Please call 1-866-REXNORD for availability
 Lubrication fitting tap size: for size code 203, 1/4 in-28 UNF: for
 all other size codes, 1/8 in PT
 * N lip seals standard

- Available with H labyrinth seals
- Δ Available with E3 triple lip seals
- Nickel plated housings available, add suffix K75

For the Selection Guide, Load Ratings and Speed Limits, see the Link-Belt 200 Series
 Ball Bearing Engineering section
 Note: Dimensions subject to change. Certified dimensions of ordered
 material furnished on request.

F3Y200

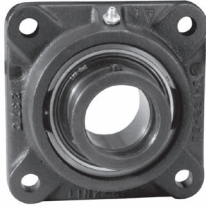
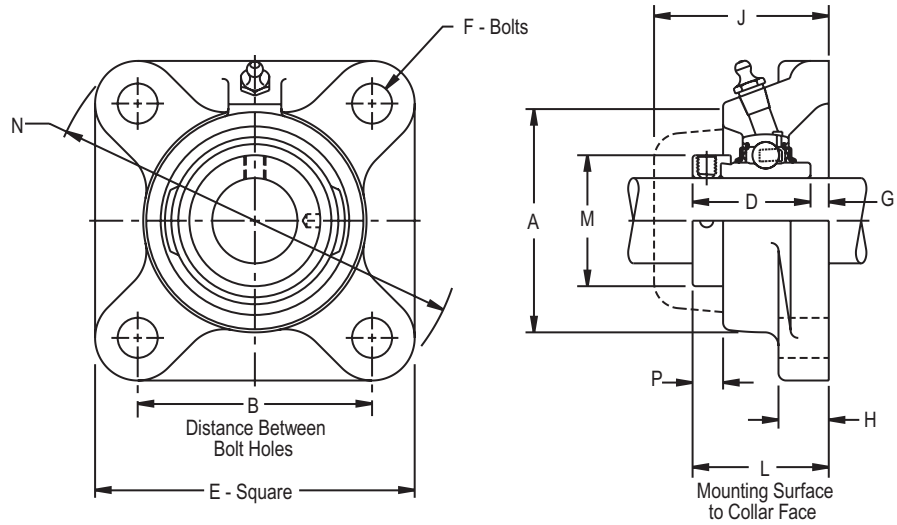


Photo Shows a 4-Bolt Ball Bearing Flanged Unit

Product Features

- Corrosion-resistant powder coating
- Cast iron housing
- Broad range of sealing options
- Wide inner ring for increased shaft stability
- Eccentric cam locking device
- Alignable & relubricatable
- See Features & Benefits for additional info.



Bearing Dimensions

Size Code	Shaft Diameter	Part Number	B Distance Between Bolt Holes	L Mounting Surface to Collar Face	A	D	E	F	G	H	J	M	N	P	Approx. Weight
204	3/4	F3Y212N *■	2 1/2	1 51/64	2 7/16	1 23/32	3 3/8	3/8	1/16	9/16	2 1/64	1 5/16	4 13/32	37/64	1.60
	7/8	F3Y214N *Δ■													
205	15/16	F3Y215N *Δ■	2 3/4	1 13/16	2 11/16	1 3/4	3 3/4	7/16	1/16	19/32	2	1 1/2	4 29/32	35/64	2.00
	1	F3Y216N *Δ■													
206	1 1/8	F3Y218N *■	3 1/4	1 31/32	3 3/16	1 29/32	4 1/4	7/16	1/16	19/32	2 15/64	1 3/4	5 19/32	21/32	3.20
	1 3/16	F3Y219N *■													
	1 1/4	F3Y2E20N *■													
207	1 1/4	F3Y220N *Δ■	3 5/8	2 5/64	3 5/8	2 1/64	4 5/8	1/2	1/16	5/8	2 23/64	2 3/16	6 1/8	11/16	4.20
	1 3/8	F3Y222N *Δ■													
	1 7/16	F3Y223N *Δ■													
208	1 1/2	F3Y224N *Δ■	4	2 9/32	4	2 7/32	5 1/8	1/2	1/16	5/8	2 35/64	2 3/8	6 25/32	45/64	5.30
	1 5/8	F3Y226N *Δ■													
209	1 11/16	F3Y227N *Δ■	4 1/8	2 9/32	4 1/4	2 7/32	5 3/8	1/2	1/16	5/8	2 9/16	2 1/2	7 3/32	11/16	6.50
	1 3/4	F3Y228N *Δ■													
210	1 15/16	F3Y231N *Δ■	4 3/8	2 17/32	4 1/2	2 15/32	5 5/8	1/2	1/16	3/4	2 13/16	2 3/4	7 7/16	51/64	7.20
	2	F3Y2E32N *Δ■													
211	2	F3Y232N *Δ■	5 1/8	2 7/8	4 15/16	2 13/16	6 3/8	5/8	1/16	29/32	3 11/64	3	8 1/2	15/16	9.50
	2 3/16	F3Y235N *Δ■													
	2 1/4	F3Y236N *Δ■													
212	2 3/8	F3Y238N *Δ■	5 5/8	3 1/8	5 3/8	3 1/16	6 7/8	5/8	1/16	15/16	3 25/64	3 5/16	9 7/32	15/16	12.50
	2 7/16	F3Y239N *Δ■													

Additional Notes

- Please call 1-866-REXNORD for availability
- Lubrication fitting tap size: for size code 203, 1/4 in-28 UNF: for all other size codes, 1/8 in PT
- * N lip seals standard
- Available with H labyrinth seals
- Δ Available with E3 triple lip seals
- Nickel plated housings available, add suffix K75

For the Selection Guide, Load Ratings and Speed Limits, see the Link-Belt 200 Series Ball Bearing Engineering section
 Note: Dimensions subject to change. Certified dimensions of ordered material furnished on request.

F3U200

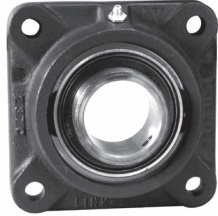
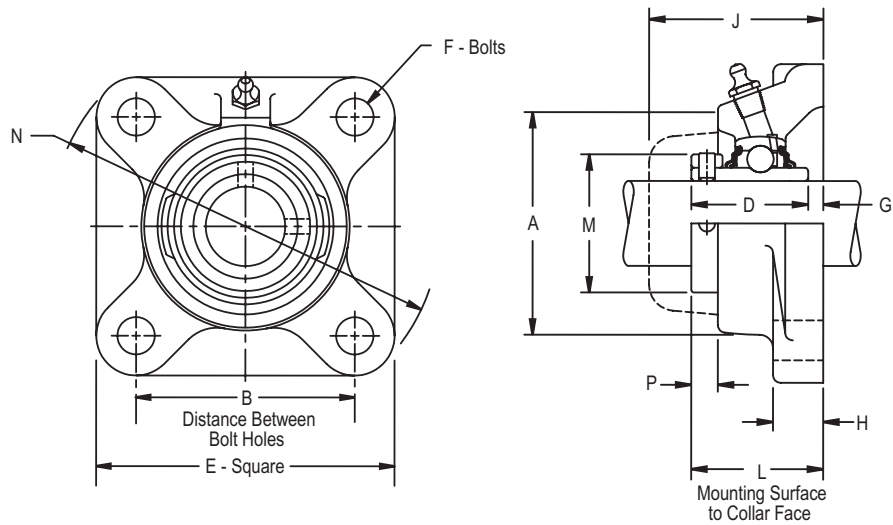


Photo Shows a 4-Bolt Ball Bearing Flanged Unit

Product Features

- Corrosion-resistant powder coating
- Cast iron housing
- Broad range of sealing options
- Wide inner ring for increased shaft stability
- Spring locking setscrew mount
- Alignable & relubricatable
- See Features & Benefits for additional info.



Bearing Dimensions

Size Code	Shaft Diameter	Part Number	B Distance Between Bolt Holes	L Mounting Surface to Collar Face	A	D	E	F	G	H	J	M	N	P	Approx. Weight
203	1/2	F3U2B08N *■	2 1/8	1 1/4	2 1/8	1 3/32	3	3/8	5/32	1/2	1 25/32	-	3 7/8	1/4	1.00
	5/8	F3U210N *■													
	11/16	F3U211N *■													
	17.00	F3U2M17N *■	53.98	31.80	54.00	27.78	76.20	10.00	4.00	12.70	45.20	-	98.40	6.40	0.45
204	3/4	F3U212N *■	2 1/2	1 31/64	2 7/16	1 9/32	3 3/8	3/8	13/64	9/16	2 1/64	-	4 13/32	9/32	1.50
	20.00	F3U2M20N *■													
205	7/8	F3U214N *■	2 3/4	1 35/64	2 11/16	1 23/64	3 3/4	7/16	3/16	19/32	2	-	4 29/32	19/64	1.90
	15/16	F3U215N *■													
	1	F3U216N *■													
	25.00	F3U2M25N *■													
206	1 1/8	F3U218N *■	3 1/4	1 47/64	3 3/16	1 9/16	4 1/4	7/16	11/64	19/32	2 15/64	-	5 19/32	7/16	3.10
	1 3/16	F3U219N *■													
	1 1/4	F3U2E20N *■													
	30.00	F3U2M30N *■	82.55	44.00	81.00	39.69	108.00	10.00	4.40	15.10	56.70	-	142.10	11.10	1.40
207	1 1/4	F3U220N *■	3 5/8	1 59/64	3 5/8	1 49/64	4 5/8	1/2	5/32	5/8	2 23/64	-	6 1/8	33/64	3.90
	1 3/8	F3U222N *■													
	1 7/16	F3U223N *■													
	35.00	F3U2M35N *■	92.08	48.80	92.10	44.85	117.50	12.00	4.00	15.90	59.90	-	155.60	13.10	1.75
208	1 1/2	F3U224N *■	4	2 5/64	4	1 29/32	5 1/8	1/2	11/64	5/8	2 35/64	-	6 25/32	1/2	5.00
	40.00	F3U2M40N *■													
209	1 5/8	F3U226N *■	4 1/8	2 9/64	4 1/4	2 1/32	5 3/8	1/2	7/64	5/8	2 9/16	-	7 3/32	35/64	6.20
	1 11/16	F3U227N *■													
	1 3/4	F3U228N *■													
	45.00	F3U2M45N *■	104.78	54.40	108.00	51.59	136.50	12.00	2.80	15.90	65.10	-	180.20	13.90	2.80
210	1 15/16	F3U231N *■	4 3/8	2 19/64	4 1/2	2 3/32	5 5/8	1/2	13/64	3/4	2 13/16	-	7 7/16	9/16	6.90
	2	F3U2E32N *■													
	50.00	F3U2M50N *■													
211	2	F3U232N *■	5 1/8	2 9/16	4 15/16	2 1/4	6 3/8	5/8	5/16	29/32	3 11/64	-	8 1/2	5/8	8.90
	2 3/16	F3U235N *■													
	55.00	F3U2M55N *■													
212	2 1/4	F3U236N *■	5 5/8	2 27/32	5 3/8	2 1/2	6 7/8	5/8	11/32	15/16	3 25/64	-	9 7/32	41/64	11.90
	2 3/8	F3U238N *■													
	2 7/16	F3U239N *■													
	60.00	F3U2M60N *■													

Continued...

Continued...

Bearing Dimensions

Size Code	Shaft Diameter	Part Number	B Distance Between Bolt Holes	L Mounting Surface to Collar Face	A	D	E	F	G	H	J	M	N	P	Approx. Weight
213	2 1/2	F3U240N *Δ	5 7/8	2 25/32	5 7/8	2 11/16	7 3/8	5/8	3/32	3/4	3 5/32	4 3/16	9 13/16	5/8	14.40
	2 11/16	F3U243N *Δ													
	65.00	F3U2M65N *Δ	149.22	70.60	149.20	68.26	187.30	16.00	2.40	19.00	80.20	106.40	249.20	15.90	6.50
215	2 3/4	F3U244N *Δ	6	2 31/32	6 3/8	2 7/8	7 3/4	3/4	3/32	3/4	3 3/8	4 5/8	10 1/4	1 1/16	17.40
	2 15/16	F3U247N *Δ													
	3	F3U2E48N *Δ													
	75.00	F3U2M75N *Δ	152.40	75.40	161.90	73.02	196.80	20.00	2.40	19.00	85.70	117.50	260.40	17.50	7.85
217	3 7/16	F3U255N *Δ	6 3/4	3 21/32	7 1/2	3 9/16	8 9/16	3/4	3/32	1	4 1/32	5 3/16	11 3/8	3/4	25.70
	3 1/2	F3U2E56N *Δ													
	85.00	F3U2M85N *Δ													

Additional Notes

Please call 1-866-REXNORD for availability
 Lubrication fitting tap size: for size code 203, 1/4 in-28 UNF: for all other size codes, 1/8 in PT
 Size codes 203 to 212 don't have mounting collars
 * N lip seals standard
 ■ Available with H labyrinth seals
 Δ Available with E3 triple lip seals
 Nickel plated housings available, add suffix K75

For the Selection Guide, Load Ratings and Speed Limits, see the Link-Belt 200 Series Ball Bearing Engineering section
 Note: Dimensions subject to change. Certified dimensions of ordered material furnished on request.

F3W200

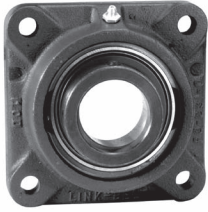
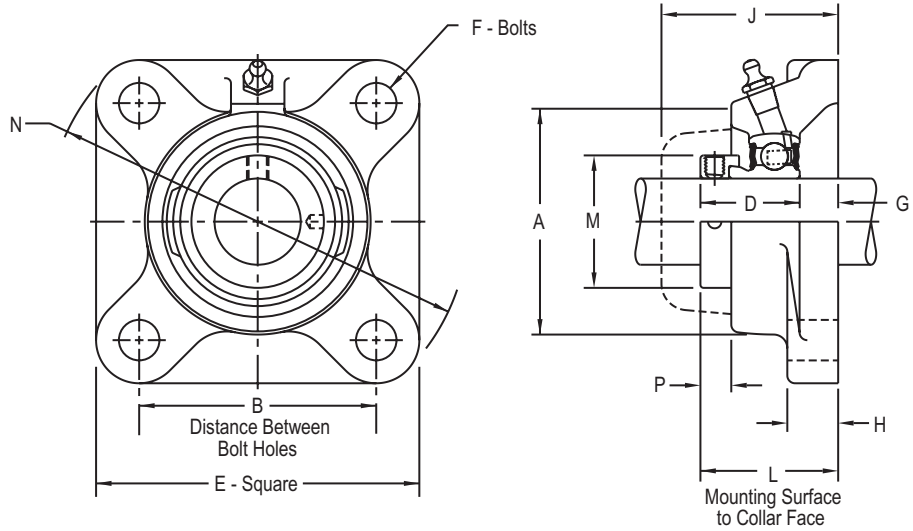


Photo Shows a 4-Bolt Ball Bearing Flanged Unit

Product Features

- Corrosion-resistant powder coating
- Cast iron housing
- Eccentric cam locking device
- Alignable & relubricatable
- See Features & Benefits for additional info.



Bearing Dimensions

Size Code	Shaft Diameter	Part Number	B Distance Between Bolt Holes	L Mounting Surface to Collar Face	A	D	E	F	G	H	J	M	N	P	Approx. Weight
203	1/2	F3W2B08E▲	2 1/8	1 31/64	2 1/8	1 1/8	3	3/8	23/64	1/2	1 25/32	1 1/8	3 7/8	15/32	0.80
	5/8	F3W210E▲													
204	3/4	F3W212E▲	2 1/2	1 21/32	2 7/16	1 7/32	3 3/8	3/8	7/16	9/16	2 1/64	1 5/16	4 13/32	29/64	1.30
	7/8	F3W214E▲													
205	15/16	F3W215E▲	2 3/4	1 43/64	2 11/16	1 7/32	3 3/4	7/16	29/64	19/32	2	1 1/2	4 29/32	27/64	1.80
	1	F3W216E▲													
	1 1/8	F3W218E▲													
206	1 3/16	F3W219E▲	3 1/4	1 53/64	3 3/16	1 13/32	4 1/4	7/16	27/64	19/32	2 15/64	1 3/4	5 19/32	33/64	2.90
	1 1/4	F3W220E▲													
207	1 1/4	F3W220E▲	3 5/8	1 31/32	3 5/8	1 17/32	4 5/8	1/2	7/16	5/8	2 23/64	2 3/16	6 1/8	9/16	3.70
	1 3/8	F3W222E▲													
	1 7/16	F3W223E▲													
208	1 1/2	F3W224E▲	4	2 3/16	4	1 23/32	5 1/8	1/2	15/32	5/8	2 35/64	2 3/8	6 25/32	39/64	4.80
	1 5/8	F3W226E▲													
209	1 11/16	F3W227E▲	4 1/8	2 3/16	4 1/4	1 23/32	5 3/8	1/2	15/32	5/8	2 9/16	2 1/2	7 3/32	19/32	5.60
	1 3/4	F3W228E▲													
210	1 15/16	F3W231E▲	4 3/8	2 5/16	4 1/2	1 23/32	5 5/8	1/2	19/32	3/4	2 13/16	2 3/4	7 7/16	37/64	6.10
	2	F3W2E32E▲													

Additional Notes

- Please call 1-866-REXNORD for availability
- Lubrication fitting tap size: for size code 203, 1/4 in-28 UNF; for all other size codes, 1/8 in PT
- ▲ E lip seals standard
- Nickel plated housings available, add suffix K75
- For the Selection Guide, Load Ratings and Speed Limits, see the Link-Belt 200 Series Ball Bearing Engineering section
- Note: Dimensions subject to change. Certified dimensions of ordered material furnished on request.

F3S200

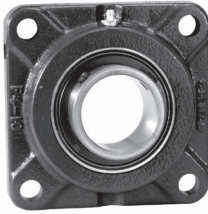
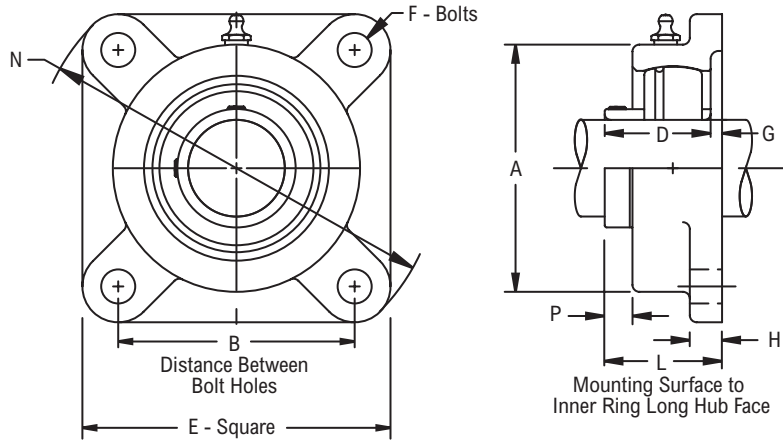


Photo Shows a 4-Bolt Ball Bearing Flanged Unit

Product Features

- Corrosion-resistant powder coating
- Cast iron housing
- Broad range of sealing options
- Spring locking setscrew mount
- Alignable & relubricatable
- See Features & Benefits for additional info



Bearing Dimensions

Size Code	Shaft Diameter	Part Number	B Distance Between Bolt Holes	L Mounting Surface to Inner Ring Long Hub Face	A	D	E	F	G	H	N	P	Approx. Weight
203	1/2	F3S2B08E	2 1/8	1 1/8	2 1/16	63/64	3	3/8	9/64	3/8	3 7/8	5/16	0.99
	5/8	F3S210E											0.95
	11/16	F3S211E											0.93
204	3/4	F3S212E	2 1/2	1 9/32	2 5/16	1 1/8	3 3/8	3/8	9/64	3/8	4 13/32	13/32	1.30
	20.00	F3S2M20E											63.50
205	7/8	F3S214E	2 3/4	1 5/16	2 11/16	1 11/64	3 3/4	7/16	1/8	7/16	4 29/32	7/16	1.71
	15/16	F3S215E											1.68
	1	F3S26E											1.65
	25.00	F3S2M25E											69.85
206	1 1/8	F3S218E	3 1/4	1 1/2	3 3/16	1 11/32	4 1/4	7/16	9/64	1/2	5 19/32	9/16	2.50
	1 3/16	F3S219E											2.46
	1 1/4	F3S2E20E											2.42
	30.00	F3S2M30E											82.55
207	1 1/4	F3S220E	3 5/8	1 23/32	3 11/16	1 9/16	4 5/8	1/2	9/64	1/2	6 1/8	21/32	3.41
	1 3/8	F3S222E											3.31
	1 7/16	F3S223E											3.26
	35.00	F3S2M35E											92.08
208	1 1/2	F3S224E	4	1 13/16	4 1/16	1 21/32	5 1/4	1/2	5/32	9/16	6 25/32	21/32	4.49
	1 5/8	F3S2E26E											4.35
	40.00	F3S2M40E											101.60
209	1 5/8	F3S226E	4 1/8	1 29/32	4 5/16	1 49/64	5 3/8	9/16	1/8	9/16	7 3/32	23/32	4.85
	1 11/16	F3S227E											4.78
	1 3/4	F3S228E											4.70
	1 7/8	F3S230E											5.31
210	1 15/16	F3S231E	4 3/8	1 29/32	4 1/2	1 13/16	5 5/8	9/16	7/64	9/16	7 7/16	23/32	5.22
	2	F3S2E32E											5.13
	2	F3S232E											7.53
	2 3/16	F3S235E											7.23
211	2 1/4	F3S236E	5 1/8	2	5 3/16	1 13/16	6 3/8	5/8	11/64	5/8	8 1/2	11/16	7.13
	2 1/4	F3S236E											9.25
	2 1/4	F3S236E											9.25
	2 3/8	F3S238E											9.01
212	2 7/16	F3S239E	5 5/8	2 3/32	5 7/16	1 57/64	6 7/8	5/8	13/64	11/16	9 9/32	21/32	8.89
	2 15/16	F3S247E											13.19
215	2 15/16	F3S247E	6	2 13/32	6 7/16	2 17/64	7 3/4	3/4	1/8	3/4	10 1/4	23/32	13.19

Additional Notes

- Please call 1-866-REXNORD for availability
- Lubrication fitting tap size: for size code 203, 1/4 in-28 UNF; for all other size codes, 1/8 in PT
- Lip seals standard
- ◆ Available with E1 viton seals for all size codes
- Available with free running style seals, add suffix ● FF, □ HFF or Δ MHFF for all size codes
- Nickel plated housings available, add suffix K75

For the Selection Guide, Load Ratings and Speed Limits, see the Link-Belt Ball Bearing Engineering section
 Note: Dimensions subject to change. Certified dimensions of ordered material furnished on request.

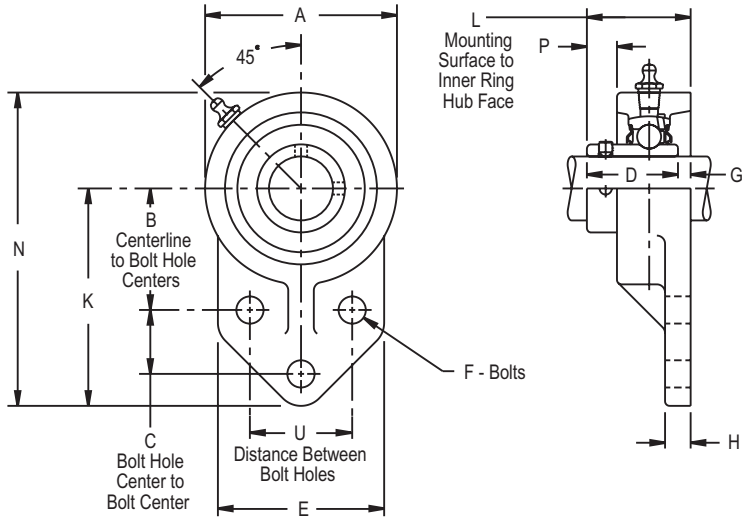
FB3U200



Photo Shows a 3-Bolt Ball Bearing Flanged Bracket Unit

Product Features

- Corrosion-resistant powder coating
- Cast iron housing
- Broad range of sealing options
- Wide inner ring for increased shaft stability
- Spring locking setscrew mount
- Alignable & relubricatable
- See Features & Benefits for additional info.



Bearing Dimensions

Size Code	Shaft Diameter	Part Number	B Centerline to Bolt Hole Centers	C Bolt Hole Center to Bolt Center	L Mounting Surface to Inner Ring Long Hub Face	U Distance Between Bolt Holes	A	D	E	F	G	H	K	N	P	Approx. Weight
204	$\frac{3}{4}$	FB3U212N *■	$1 \frac{11}{16}$	$\frac{7}{8}$	$1 \frac{11}{32}$	$1 \frac{1}{2}$	$2 \frac{1}{2}$	$1 \frac{9}{32}$	$2 \frac{3}{8}$	$\frac{3}{8}$	$\frac{1}{16}$	$\frac{5}{16}$	3	$4 \frac{1}{4}$	$\frac{11}{32}$	1.40
	20.00	FB3U2M20N *■	42.90	22.20	34.10	38.10	63.50	32.50	60.30	10.00	1.60	7.90	76.20	108.00	8.70	0.63
205	$\frac{7}{8}$	FB3U214N *Δ	$1 \frac{13}{16}$	$1 \frac{1}{8}$	$1 \frac{29}{64}$	$1 \frac{5}{8}$	$2 \frac{3}{4}$	$1 \frac{23}{64}$	$2 \frac{1}{2}$	$\frac{3}{8}$	$\frac{3}{32}$	$\frac{3}{8}$	$3 \frac{3}{8}$	$4 \frac{3}{4}$	$\frac{19}{64}$	1.90
	$\frac{15}{16}$	FB3U215N *Δ														
	1	FB3U216N *Δ														
206	25.00	FB3U2M25N *Δ	46.00	28.60	38.90	41.30	69.80	34.53	63.50	10.00	2.40	9.50	85.70	120.60	7.50	0.86
	$1 \frac{1}{8}$	FB3U218N *■	$2 \frac{1}{16}$	$1 \frac{1}{4}$	$1 \frac{5}{8}$	$1 \frac{7}{8}$	$3 \frac{1}{4}$	$1 \frac{9}{16}$	$2 \frac{3}{4}$	$\frac{3}{8}$	$\frac{1}{16}$	$\frac{3}{8}$	$3 \frac{3}{4}$	$5 \frac{3}{8}$	$\frac{3}{8}$	2.50
	$1 \frac{3}{16}$	FB3U219N *■														
	$1 \frac{1}{4}$	FB3U2E20N *■														
30.00	FB3U2M30N *■	52.30	31.80	43.70	47.60	82.60	39.69	69.80	10.00	1.60	9.50	95.20	136.50	9.50	1.13	
207	$1 \frac{1}{4}$	FB3U220N *Δ	$2 \frac{3}{8}$	$1 \frac{1}{4}$	$1 \frac{59}{64}$	2	$3 \frac{3}{4}$	$1 \frac{49}{64}$	$3 \frac{1}{4}$	$\frac{1}{2}$	$\frac{5}{32}$	$\frac{1}{2}$	$4 \frac{1}{4}$	$6 \frac{1}{8}$	$\frac{31}{64}$	3.40
	$1 \frac{3}{8}$	FB3U222N *Δ														
	$1 \frac{7}{16}$	FB3U223N *Δ														
	35.00	FB3U2M35N *Δ	60.30	31.80	48.80	50.80	95.20	44.85	82.60	12.00	4.00	12.70	108.00	155.60	12.30	1.53

Additional Notes

- Please call 1-866-REXNORD for availability
- Lubrication fitting tap size, 1/4 in-28 UNF
- * N lip seals standard
- Available with H labyrinth seals
- Δ Available with E3 triple lip seals
- Nickel plated housings available, add suffix K75
- For the Selection Guide, Load Ratings and Speed Limits, see the Link-Belt 200 Series Ball Bearing Engineering section

Note: Dimensions subject to change. Certified dimensions of ordered material furnished on request.

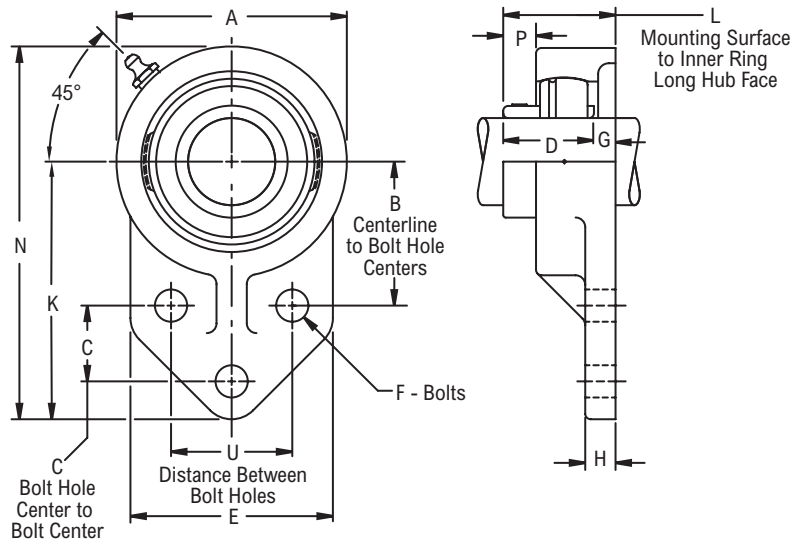
FB3S200



Photo Shows a 3-Bolt Ball Bearing Flanged Bracket Unit

Product Features

- Corrosion-resistant powder coating
- Cast iron housing
- Broad range of sealing options
- Spring locking setscrew mount
- Alignable & relubricatable
- See Features & Benefits for additional info.



Bearing Dimensions

Size Code	Shaft Diameter	Part Number	B Centerline to Bolt Hole Centers	C Bolt Hole Center to Bolt Center	L Mounting Surface to Inner Ring Long Hub Face	U Distance Between Bolt Holes	A	D	E	F	G	H	K	N	P	Approx. Weight	
204	$\frac{3}{4}$	FB3S212E	$1 \frac{11}{16}$	$\frac{7}{8}$	$1 \frac{3}{8}$	$1 \frac{1}{2}$	$2 \frac{1}{2}$	$1 \frac{1}{8}$	$2 \frac{3}{8}$	$\frac{3}{8}$	$\frac{1}{4}$	$\frac{5}{16}$	3	$4 \frac{1}{4}$	$\frac{25}{64}$	1.44	
	20.00	FB3S2M20E	42.90	22.20	34.90	38.10	63.50	28.58	60.30	10.00	6.40	7.90	76.20	108.00	9.90	0.60	
205	$\frac{7}{8}$	FB3S214E	$1 \frac{13}{16}$	$1 \frac{1}{8}$	$1 \frac{17}{32}$	$1 \frac{5}{8}$	$2 \frac{3}{4}$	$1 \frac{11}{64}$	$2 \frac{1}{2}$	$\frac{3}{8}$	$\frac{23}{64}$	$\frac{3}{8}$	$3 \frac{3}{8}$	$4 \frac{3}{4}$	$\frac{27}{64}$	1.80	
	$\frac{15}{16}$	FB3S215E															
	1	FB3S26E	25.00	FB3S2M25E	46.00	28.60	38.90	41.30	69.80	29.77	63.50	10.00	9.10	9.50	85.70	120.60	10.70
206	$\frac{1}{8}$	FB3S218E	$2 \frac{1}{16}$	$1 \frac{1}{4}$	$1 \frac{43}{64}$	$1 \frac{7}{8}$	$3 \frac{1}{4}$	$1 \frac{11}{32}$	$2 \frac{3}{4}$	$\frac{3}{8}$	$\frac{17}{64}$	$\frac{3}{8}$	$3 \frac{3}{4}$	$5 \frac{3}{8}$	$\frac{35}{64}$	2.10	
	$\frac{1}{4}$	FB3S219E															
	$\frac{1}{4}$	FB3S2E20E															30.00
207	$\frac{1}{4}$	FB3S220E	$2 \frac{3}{8}$	$1 \frac{1}{4}$	$1 \frac{61}{64}$	2	$3 \frac{3}{4}$	$1 \frac{9}{16}$	$3 \frac{11}{32}$	$\frac{1}{2}$	$\frac{25}{64}$	$\frac{1}{2}$	$4 \frac{1}{4}$	$6 \frac{1}{8}$	$\frac{41}{64}$	3.45	
	$\frac{3}{8}$	FB3S222E															
	$\frac{1}{2}$	FB3S223E															17/16

Additional Notes

- Please call 1-866-REXNORD for availability
- Lubrication fitting tap size: for size codes 204 thru 205, 1/4-28 UNF: for all other size codes, 1/8 in PT
- Lip seals standard
- ◆ Available with E1 viton seals
- Available with free running style seals, add suffix ● FF, □ HFF or Δ MHFF
- Nickel plated housings available, add suffix K75

For the Selection Guide, Load Ratings and Speed Limits, see the Link-Belt Ball Bearing Engineering section
 Note: Dimensions subject to change. Certified dimensions of ordered material furnished on request.

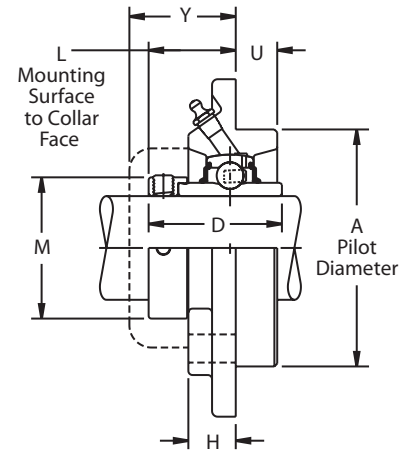
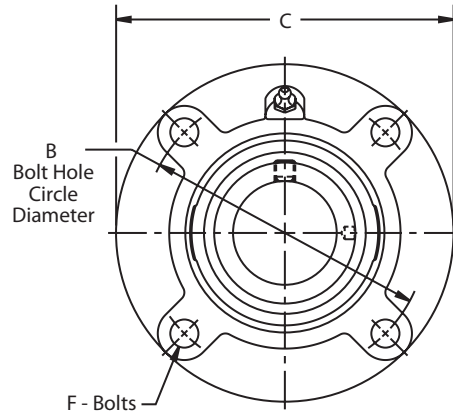
FC3Y200



Photo Shows a 4-Bolt Ball Bearing Flanged Cartridge Unit

Product Features

- Corrosion-resistant powder coating
- Cast iron housing
- Broad range of sealing options
- Wide inner ring for increased shaft stability
- Eccentric cam locking device
- Alignable & relubricatable
- See Features & Benefits for additional info.



Bearing Dimensions

Size Code	Shaft Diameter	Part Number	A Pilot Diameter	B Bolt Hole Circle Diameter	L Mounting Surface to Collar Face	C	D	F	H	M	U	Y	Approx. Weight
205	$\frac{7}{8}$	FC3Y214N * Δ	3.000	$3 \frac{5}{8}$	$1 \frac{1}{8}$	$4 \frac{3}{8}$	$1 \frac{3}{4}$	$\frac{3}{8}$	$\frac{5}{8}$	$1 \frac{1}{2}$	$\frac{1}{2}$	$1 \frac{7}{16}$	3.10
	$\frac{15}{16}$	FC3Y215N * Δ											
	1	FC3Y216N * Δ											
206	$1 \frac{1}{8}$	FC3Y218N * \blacksquare	3.375	$4 \frac{1}{8}$	$1 \frac{3}{8}$	5	$1 \frac{29}{32}$	$\frac{7}{16}$	$\frac{13}{16}$	$1 \frac{3}{4}$	$\frac{27}{64}$	$1 \frac{23}{32}$	4.60
	$1 \frac{3}{16}$	FC3Y219N * \blacksquare											
	$1 \frac{1}{4}$	FC3Y220N * Δ											
207	$1 \frac{1}{4}$	FC3Y220N * Δ	3.625	$4 \frac{3}{8}$	$1 \frac{21}{32}$	$5 \frac{1}{4}$	$2 \frac{1}{64}$	$\frac{7}{16}$	$1 \frac{1}{16}$	$2 \frac{3}{16}$	$\frac{15}{32}$	2	4.90
	$1 \frac{3}{8}$	FC3Y222N * Δ											
	$1 \frac{7}{16}$	FC3Y223N * Δ											
208	$1 \frac{1}{2}$	FC3Y224N * Δ	3.625	$4 \frac{3}{8}$	$1 \frac{49}{64}$	$5 \frac{1}{4}$	$2 \frac{7}{32}$	$\frac{7}{16}$	$1 \frac{1}{32}$	$2 \frac{3}{8}$	$\frac{15}{32}$	$2 \frac{1}{16}$	4.60
	$1 \frac{5}{8}$	FC3Y226N * Δ											
	$1 \frac{11}{16}$	FC3Y227N * Δ											
209	$1 \frac{3}{4}$	FC3Y228N * Δ	4.250	$5 \frac{1}{8}$	$1 \frac{45}{64}$	$6 \frac{1}{8}$	$2 \frac{7}{32}$	$\frac{1}{2}$	$1 \frac{1}{16}$	$2 \frac{1}{2}$	$\frac{15}{32}$	$2 \frac{5}{64}$	6.60
	$1 \frac{15}{16}$	FC3Y231N * Δ											
	2	FC4Y232N * Δ											
211A	2	FC4Y232N * Δ	4.500	$5 \frac{3}{8}$	$1 \frac{31}{32}$	$6 \frac{3}{8}$	$2 \frac{13}{16}$	$\frac{1}{2}$	$1 \frac{1}{32}$	3	$\frac{5}{8}$	$2 \frac{17}{64}$	7.20
	2	FC3Y232N * Δ											
	$2 \frac{3}{16}$	FC3Y235N * Δ											
211B	$2 \frac{3}{16}$	FC3Y235N * Δ	5.000	6	$1 \frac{27}{32}$	$7 \frac{1}{8}$	$2 \frac{13}{16}$	$\frac{9}{16}$	1	3	$\frac{7}{8}$	$2 \frac{1}{8}$	11.00
	$2 \frac{1}{4}$	FC3Y236N * Δ											
	$2 \frac{3}{8}$	FC3Y238N * Δ											
	$2 \frac{7}{16}$	FC3Y239N * Δ											
212	$2 \frac{3}{8}$	FC3Y238N * Δ	5.500	$6 \frac{1}{2}$	$1 \frac{29}{32}$	$7 \frac{5}{8}$	$3 \frac{1}{16}$	$\frac{9}{16}$	1	$3 \frac{5}{16}$	$\frac{7}{8}$	$2 \frac{11}{64}$	12.50
	$2 \frac{7}{16}$	FC3Y239N * Δ											
	$2 \frac{1}{2}$	FC3Y240N * Δ											

Additional Notes

- Please call 1-866-REXNORD for availability
- Lubrication fitting tap size: for size codes 206 and below, 1/4 in-28 UNF; for all other size codes, 1/8 in PT
- Pilot Diameter tolerance, +.000 in/-0.002 in (+0.00 mm/-0.05 mm)
- Bore tolerance for mounting, +.002 in/-0.000 in (+0.05 mm/-0.00 mm)
- * N lip seals standard
- \blacksquare Available with H labyrinth seals
- Δ Available with E3 triple lip seals

For the Selection Guide, Load Ratings and Speed Limits, see the Link-Belt 200 Series Ball Bearing Engineering section
 Note: Dimensions subject to change. Certified dimensions of ordered material furnished on request.

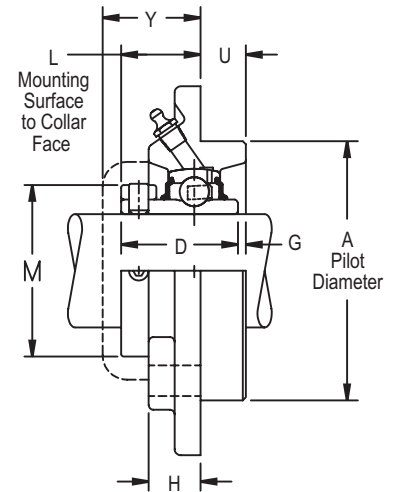
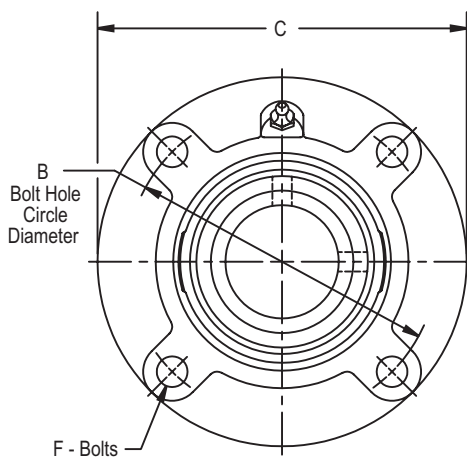
FC3U200



Photo Shows a 4-Bolt Ball Bearing Flanged Cartridge Unit

Product Features

- Corrosion-resistant powder coating
- Cast iron housing
- Broad range of sealing options
- Wide inner ring for increased shaft stability
- Spring locking setscrew mount
- Alignable & relubricatable
- See Features & Benefits for additional info.



Bearing Dimensions

Size Code	Shaft Diameter	Part Number	A Pilot Diameter	B Bolt Hole Circle Diameter	L Mounting Surface to Collar Face	C	D	F	G	H	M	U	Y	Approx. Weight
205	$\frac{7}{8}$	FC3U214N* Δ	3.000	$3\frac{5}{8}$	$\frac{55}{64}$	$4\frac{3}{8}$	$1\frac{23}{64}$	$\frac{3}{8}$	-	$\frac{5}{8}$	-	$\frac{1}{2}$	$1\frac{7}{16}$	3.00
	$\frac{15}{16}$	FC3U215N* Δ												
	1	FC3U216N* Δ												
	25.00	FC3U2M25N* Δ												
206	$1\frac{1}{8}$	FC3U218N* Δ	3.375	$4\frac{1}{8}$	$1\frac{9}{64}$	5	$1\frac{9}{16}$	$\frac{7}{16}$	-	$\frac{13}{16}$	-	$\frac{27}{64}$	$1\frac{23}{32}$	4.50
	$1\frac{3}{16}$	FC3U219N* Δ												
	$1\frac{1}{4}$	FC3U2E20N* Δ												
	30.00	FC3U2M30N* Δ												
207	$1\frac{1}{4}$	FC3U220N* Δ	3.625	$4\frac{3}{8}$	$1\frac{31}{64}$	$5\frac{1}{4}$	$1\frac{49}{64}$	$\frac{7}{16}$	$\frac{3}{16}$	$1\frac{1}{16}$	-	$\frac{15}{32}$	2	4.60
	$1\frac{3}{8}$	FC3U222N* Δ												
	$1\frac{7}{16}$	FC3U223N* Δ												
	35.00	FC3U2M35N* Δ												
208	$1\frac{1}{2}$	FC3U224N* Δ	3.625	$4\frac{3}{8}$	$1\frac{15}{32}$	$5\frac{1}{4}$	$1\frac{29}{32}$	$\frac{7}{16}$	$\frac{1}{32}$	$1\frac{1}{32}$	-	$\frac{15}{32}$	$2\frac{1}{16}$	4.30
	40.00	FC3U2M40N* Δ												
209	$1\frac{5}{8}$	FC3U226N* Δ	4.250	$5\frac{1}{8}$	$1\frac{9}{16}$	$6\frac{1}{8}$	$2\frac{1}{32}$	$\frac{1}{2}$	-	$1\frac{1}{16}$	-	$\frac{15}{32}$	$2\frac{3}{64}$	6.30
	$1\frac{11}{16}$	FC3U227N* Δ												
	$1\frac{3}{4}$	FC3U228N* Δ												
	45.00	FC3U2M45N* Δ												
210	$1\frac{15}{16}$	FC3U231N* Δ	4.500	$5\frac{3}{8}$	$1\frac{41}{64}$	$6\frac{3}{8}$	$2\frac{3}{32}$	$\frac{1}{2}$	$\frac{11}{64}$	$1\frac{13}{64}$	-	$\frac{5}{8}$	$2\frac{1}{4}$	7.40
	50.00	FC3U2M50N* Δ												
211A	2	FC4U232N* Δ	4.500	$5\frac{3}{8}$	$1\frac{21}{32}$	$6\frac{3}{8}$	$2\frac{1}{4}$	$\frac{1}{2}$	$\frac{1}{32}$	$1\frac{1}{32}$	-	$\frac{5}{8}$	$2\frac{17}{64}$	7.70
	55.00	FC4U2M55N* Δ	114.300	136.52	42.10	161.90	57.15	12.00	0.80	26.20	-	15.90	57.50	3.50
211B	2	FC3U232N* Δ	5.000	6	$1\frac{17}{32}$	$7\frac{1}{8}$	$2\frac{1}{4}$	$\frac{9}{16}$	$\frac{5}{32}$	1	-	$\frac{7}{8}$	$2\frac{1}{8}$	9.90
	$2\frac{3}{16}$	FC3U235N* Δ												
	55.00	FC3U2M55N* Δ												
212	$2\frac{1}{4}$	FC3U236N* Δ	5.500	$6\frac{1}{2}$	$1\frac{5}{8}$	$7\frac{5}{8}$	$2\frac{1}{2}$	$\frac{9}{16}$	-	1	-	$\frac{7}{8}$	$2\frac{11}{64}$	12.00
	$2\frac{3}{8}$	FC3U238N* Δ												
	$2\frac{7}{16}$	FC3U239N* Δ												
	60.00	FC3U2M60N* Δ												
213	$2\frac{1}{2}$	FC3U240N* Δ	6.375	$7\frac{1}{2}$	$1\frac{13}{16}$	$8\frac{3}{4}$	$2\frac{11}{16}$	$\frac{5}{8}$	$\frac{3}{16}$	$1\frac{3}{16}$	$4\frac{3}{16}$	$1\frac{1}{16}$	$2\frac{3}{16}$	17.00
	$2\frac{11}{16}$	FC3U243N* Δ												
	65.00	FC3U2M65N* Δ	161.920	190.50	46.00	222.20	68.26	16.00	4.80	30.20	106.40	27.00	55.60	7.65
215	$2\frac{3}{4}$	FC3U244N* Δ	6.375	$7\frac{1}{2}$	$1\frac{13}{16}$	$8\frac{3}{4}$	$2\frac{7}{8}$	$\frac{5}{8}$	$\frac{3}{16}$	$1\frac{1}{16}$	$4\frac{5}{8}$	$1\frac{1}{4}$	$2\frac{7}{32}$	17.70
	$2\frac{15}{16}$	FC3U247N* Δ												

Continued...

Continued...

Bearing Dimensions

Size Code	Shaft Diameter	Part Number	A Pilot Diameter	B Bolt Hole Circle Diameter	L Mounting Surface to Collar Face	C	D	F	G	H	M	U	Y	Approx. Weight
215	3	FC3U2E48N*Δ	6.375	7 1/2	1 13/16	8 3/4	2 7/8	5/8	3/16	1 1/16	4 5/8	1 1/4	2 7/32	17.70
	75.00	FC3U2M75N*Δ	161.920	190.50	46.00	222.20	73.02	16.00	4.80	27.00	117.50	31.80	56.40	8.00
217	3 7/16	FC3U255N*Δ	7.375	8 5/8	2 13/32	10 1/4	3 9/16	3/4	-	1 5/8	5 3/16	1 5/32	2 25/32	34.00
	3 1/2	FC3U2E56N*Δ												
	85.00	FC3U2M85N*Δ	187.320	219.08	61.10	260.40	90.49	20.00	-	41.30	131.80	29.40	70.60	15.30
	220	3 15/16	FC3U263N*	8.120	9 3/8	3 1/8	10 7/8	4 1/4	3/4	-	2 1/8	5 15/16	1 1/8	3 9/16
4		FC3U2E64N*												
	100.00	FC3U2M100N*	206.250	238.12	79.40	276.20	107.95	20.00	-	54.00	150.80	28.60	90.50	18.80

Additional Notes

Please call 1-866-REXNORD for availability
 Lubrication fitting tap size: for size codes 206 and below, 1/4 in-28 UNF: for all other size codes, 1/8 in PT
 Pilot Diameter tolerance, +.000 in/-.002 in (+0.00 mm/-0.05 mm)
 Bore tolerance for mounting, +.002 in/-.000 in (+0.05 mm/-0.00 mm)
 Size codes 203 to 212 don't have mounting collars
 * N lip seals standard
 ■ Available with H labyrinth seals

Δ Available with E3 triple lip seals
 For the Selection Guide, Load Ratings and Speed Limits, see the Link-Belt 200 Series Ball Bearing Engineering section
 Note: Dimensions subject to change. Certified dimensions of ordered material furnished on request.

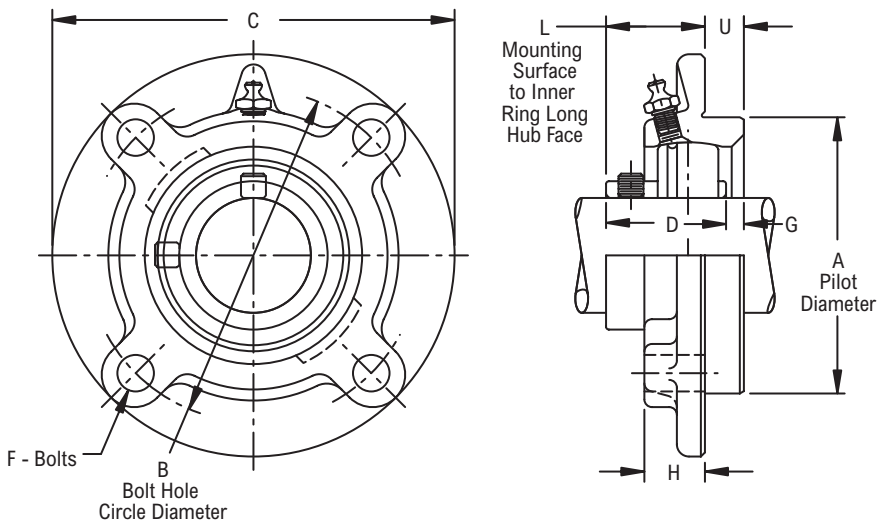
FC3S200



Photo Shows a 4-Bolt Ball Bearing Flanged Cartridge Unit

Product Features

- Corrosion-resistant powder coating
- Cast iron housing
- Broad range of sealing options
- Spring locking setscrew mount
- Alignable & relubricatable
- See Features & Benefits for additional info.



Bearing Dimensions

Size Code	Shaft Diameter	Part Number	A Pilot Diameter	B Bolt Hole Circle Diameter	L Mounting Surface to Inner Ring Long Hub Face	C	D	F	G	H	U	Approx. Weight
207	1 1/4	FC3S220E	3.375	4 1/8	1 33/64	5	1 9/16	7/16	17/64	7/8	3/8	3.13
	1 3/8	FC3S222E										3.03
	1 7/16	FC3S223E										2.97
	35.00	FC3S2M35E	85.720	104.78	38.50	127.00	39.67	10.00	6.80	22.20	9.50	1.40
208	1 1/2	FC3S224E	3.625	4 3/8	1 17/32	5 1/4	1 21/32	7/16	1/4	7/8	7/16	3.63
	1 5/8	FC3S2E26E										3.49
	40.00	FC3S2M40E										92.080
209	1 5/8	FC3S226E	3.625	4 3/8	1 37/64	5 1/4	1 49/64	7/16	3/16	7/8	7/16	3.76
	1 11/16	FC3S227E										3.66
	1 3/4	FC3S228E										3.59
210	1 7/8	FC3S230E	4.250	5 1/8	1 19/32	6 1/8	1 13/16	1/2	13/64	7/8	15/32	4.97
	1 15/16	FC3S231E										4.88
	2	FC3S2E32E										4.79
211	2	FC3S232E	4.500	5 3/8	1 35/64	6 3/8	1 13/16	1/2	19/64	7/8	5/8	5.87
	2 3/16	FC3S235E										5.57
	2 1/4	FC3S2E36E										5.47
212	2 1/4	FC3S236E	5.000	6	1 11/16	7 1/8	1 57/64	9/16	37/64	1	7/8	8.40
	2 3/8	FC3S238E										8.16
	2 7/16	FC3S239E										8.04
215	2 15/16	FC3S247E	6.375	7 1/2	1 23/32	8 3/4	2 17/64	5/8	25/64	1	1	13.44

Additional Notes

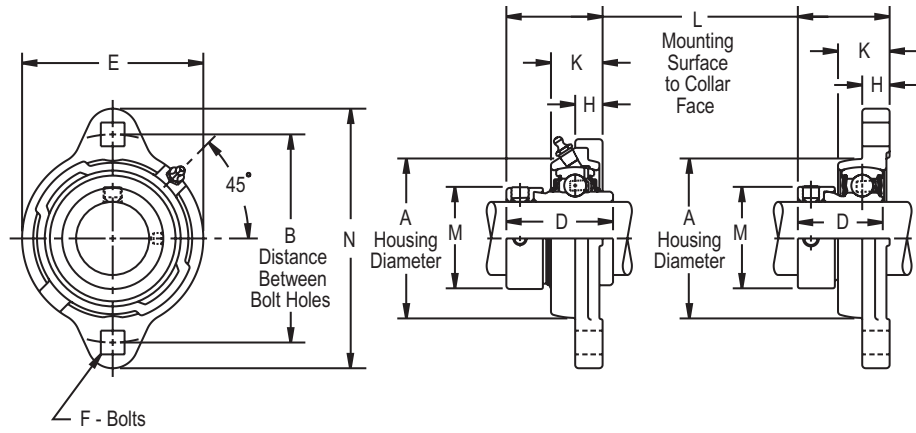
- Please call 1-866-REXNORD for availability
- Lubrication fitting tap size, 1/8 in PT
- Pilot Diameter tolerance, +.000 in/- .002 in (+0.00 mm/-0.05 mm)
- Bore tolerance for mounting, +.002 in/- .000 in (+0.05 mm/-0.00 mm)
- Lip seals standard
- ◆ Available with E1 viton seals for all size codes

Available with free running style seals, add suffix ● FF, □ HFF or Δ MHFF for all size codes
 For the Selection Guide, Load Ratings and Speed Limits, see the Link-Belt Ball Bearing Engineering section
 Note: Dimensions subject to change. Certified dimensions of ordered material furnished on request.

FXYG200, FXYG200



Photo Shows a 2-Bolt Ball Bearing Flanged Unit with High Test Iron Housing



Product Features

- Corrosion-resistant powder coating
- High test iron housing
- Broad range of sealing options
- Wide inner ring for increased shaft stability
- Eccentric cam locking device
- Alignable & optional relubrication feature
- 2-bolt carriage outboard mounting
- See Features & Benefits for additional info.

Bearing Dimensions

Size Code	Shaft Diameter	Non-Relubricatable		Relubricatable		A Housing Diameter	B Distance Between Bolt Holes	L Mounting Surface to Collar Face	D	F	H	K	M	N	Approx. Weight
		Part Number	E	Part Number	E										
203	1/2	FXY2B08N *■	2 3/16	FXYG2B08N *■	2 3/32	1 25/32	2 1/2	1 19/64	1 15/32	1/4	3/8	45/64	1 1/8	3 3/16	0.60
	5/8	FXY210N *■		FXYG210N *■											
	11/16	FXY211N *■		FXYG211N *■											
204	3/4	FXY212N *■	2 15/32	FXYG212N *■	2 3/8	2 1/16	2 13/16	1 15/32	1 23/32	5/16	27/64	25/32	1 5/16	3 9/16	0.80
	7/8	FXY214N *Δ■		FXYG214N *Δ■											
205	15/16	FXY215N *Δ■	2 23/32	FXYG215N *Δ■	2 5/8	2 9/32	3	1 31/64	1 3/4	5/16	27/64	25/32	1 1/2	3 3/4	1.00
	1	FXY216N *Δ■		FXYG216N *Δ■											
	1 1/8	FXY218N *■		FXYG218N *■											
206	1 3/16	FXY219N *■	3 3/32	FXYG219N *■	3 3/32	3 9/16	3 9/16	1 21/32	1 29/32	3/8	15/32	57/64	1 3/4	4 7/16	1.40
	1 1/4	FXY2E20N *■		FXYG2E20N *■											
	1 1/4	FXY220N *Δ■		FXYG220N *Δ■											
207	1 3/8	FXY222N *Δ■	3 1/2	FXYG222N *Δ■	3 1/2	3 1/8	3 15/16	1 25/32	2 1/64	3/8	1/2	15/16	2 3/16	4 13/16	2.00
	1 7/16	FXY223N *Δ■		FXYG223N *Δ■											

Additional Notes

- Please call 1-866-REXNORD for availability
- Lubrication fitting tap size: for size codes 204 and below, 10-32 UNF; for all other size codes, 1/4 in-28 UNF
- Loading slots are on mounting face side for non-relubricatable units
- * N lip seals standard
- Available with H labyrinth seals
- Δ Available with E3 triple lip seals
- For the Selection Guide, Load Ratings and Speed Limits, see the Link-Belt 200 Series Ball Bearing Engineering section

Note: Dimensions subject to change. Certified dimensions of ordered material furnished on request.

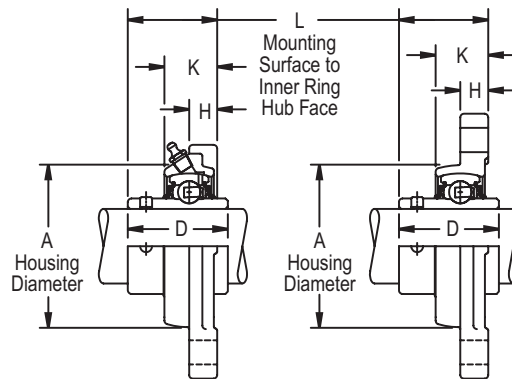
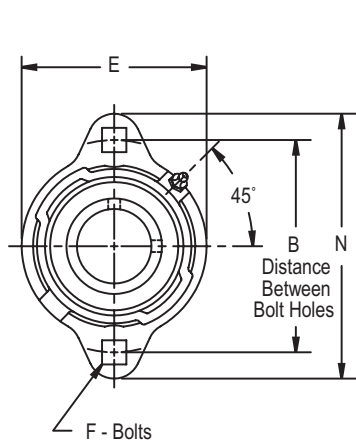
FXU200, FXUG200



Photo Shows a 2-Bolt Ball Bearing Flanged Unit with High Test Iron Housing

Product Features

- Corrosion-resistant powder coating
- High test iron housing
- Broad range of sealing options
- Wide inner ring for increased shaft stability
- Spring locking setscrew mount
- Alignable & optional relubrication feature
- 2-bolt carriage outboard mounting
- See Features & Benefits for additional info.



Bearing Dimensions

Size Code	Shaft Diameter	Non-Relubricatable		Relubricatable		A Housing Diameter	B Distance Between Bolt Holes	L Mounting Surface to Inner Ring Hub Face	D	F	H	K	N	Approx. Weight
		Part Number	E	Part Number	E									
203	1/2	FXU2B08N*■	2 3/16	FXUG2B08N*■	2 3/32	1 25/32	2 1/2	1 1/64	1 3/32	1/4	3/8	45/64	3 3/16	0.60
	5/8	FXU210N*■		FXUG210N*■										
204	11/16	FXU211N*■	2 15/32	FXUG211N*■	2 3/8	2 1/16	2 13/16	1 11/64	1 9/32	5/16	27/64	25/32	3 9/16	0.80
	3/4	FXU212N*■		FXUG212N*■										
205	7/8	FXU214N*Δ■	2 23/32	FXUG214N*Δ■	2 5/8	2 9/32	3	1 7/32	1 23/64	5/16	27/64	25/32	3 3/4	1.00
	15/16	FXU215N*Δ■		FXUG215N*Δ■										
	1	FXU216N*Δ■		FXUG216N*Δ■										
206	1 1/8	FXU218N*■	3 3/32	FXUG218N*■	3 3/32	2 23/32	3 9/16	1 27/64	1 9/16	3/8	15/32	57/64	4 7/16	1.40
	1 3/16	FXU219N*■		FXUG219N*■										
	1 1/4	FXU2E20N*■		FXUG2E20N*■										
207	1 1/4	FXU220N*Δ■	3 1/2	FXUG220N*Δ■	3 1/2	3 1/8	3 15/16	1 39/64	1 49/64	3/8	1/2	15/16	4 13/16	2.00
	1 3/8	FXU222N*Δ■		FXUG222N*Δ■										
	1 7/16	FXU223N*Δ■		FXUG223N*Δ■										

Additional Notes

- Please call 1-866-REXNORD for availability
- Lubrication fitting tap size: for size codes 204 and below, 10-32 UNF; for all other size codes, 1/4 in-28 UNF
- Loading slots are on mounting face side for non-relubricatable units
- * N lip seals standard
- Available with H labyrinth seals
- Δ Available with E3 triple lip seals
- For the Selection Guide, Load Ratings and Speed Limits, see the Link-Belt 200 Series Ball Bearing Engineering section

Note: Dimensions subject to change. Certified dimensions of ordered material furnished on request.

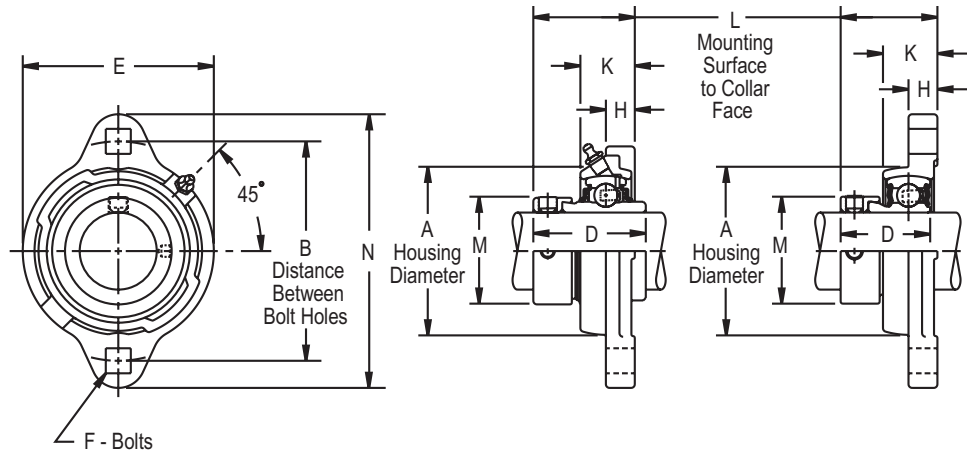
FXW200, FXWG200



Photo Shows a 2-Bolt Ball Bearing Flanged Unit with High Test Iron Housing

Product Features

- Corrosion-resistant powder coating
- High test iron housing
- Eccentric cam locking device
- Alignable & optional relubrication feature
- 2-bolt carriage outboard mounting
- See Features & Benefits for additional info.



Bearing Dimensions

Size Code	Shaft Diameter	Non-Relubricatable		Relubricatable		A Housing Diameter	B Distance Between Bolt Holes	L Mounting Surface to Collar Face	D	F	H	K	M	N	Approx. Weight
		Part Number	E	Part Number	E										
203	1/2	FXW2B08E▲	2 3/16	FXWG2B08E▲	2 3/32	1 25/32	2 1/2	1 1/4	1 1/8	1/4	3/8	45/64	1 1/8	3 3/16	0.50
	5/8	FXW210E▲		FXWG210E▲											
204	3/4	FXW212E▲	2 15/32	FXWG212E▲	2 3/8	2 1/16	2 13/16	1 11/32	1 7/32	5/16	21/64	25/32	1 5/16	3 9/16	0.70
	7/8	FXW214E▲		FXWG214E▲											
205	15/16	FXW215E▲	2 23/32	FXWG215E▲	2 5/8	2 9/32	3	1 11/32	1 7/32	5/16	27/64	25/32	1 1/2	3 3/4	0.80
	1	FXW216E▲		FXWG216E▲											
	1 1/8	FXW218E▲		FXWG218E▲											
206	1 3/16	FXW219E▲	3 3/32	FXWG219E▲	3 3/32	2 23/32	3 9/16	1 17/32	1 13/32	3/8	15/32	57/64	1 3/4	4 7/16	1.20
	1 1/4	FXW220E▲		FXWG220E▲											
	1 1/4	FXW220E▲		FXWG220E▲											
207	1 1/4	FXW220E▲	3 1/2	FXWG220E▲	3 1/2	3 1/8	3 15/16	1 21/32	1 17/32	3/8	1/2	15/16	2 3/16	4 13/16	1.80
	1 3/8	FXW222E▲		FXWG222E▲											
	1 7/16	FXW223E▲		FXWG223E▲											

Additional Notes

- Please call 1-866-REXNORD for availability
- Lubrication fitting tap size: for size codes 204 and below, 10-32 UNF; for all other size codes, 1/4 in-28 UNF
- Loading slots are on mounting face side for non-relubricatable units
- ▲ E lip seals standard
- For the Selection Guide, Load Ratings and Speed Limits, see the Link-Belt 200 Series Ball Bearing Engineering section
- Note: Dimensions subject to change. Certified dimensions of ordered material furnished on request.

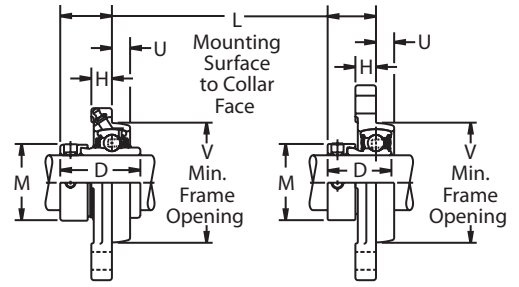
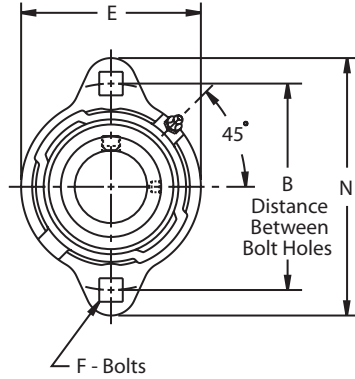
FXRY200, FXRYG200



Photo Shows a 2-Bolt Ball Bearing Flanged Unit with High Test Iron Housing

Product Features

- Corrosion-resistant powder coating
- High test iron housing
- Broad range of sealing options
- Wide inner ring for increased shaft stability
- Eccentric cam locking device
- Alignable & optional relubrication feature
- 2-bolt carriage inboard mounting
- See Features & Benefits for additional info.



Bearing Dimensions

Size Code	Shaft Diameter	Non-Relubricatable	Relubricatable	B Distance Between Bolt Holes	L Mounting Surface to Collar Face	V Frame Opening	D	E	F	H	M	N	U	Approx. Weight
		Part Number	Part Number											
203	$1/2$	FXRY2B08N*■	FXRYG2B08N*■	$2\ 1/2$	$59/64$	$1\ 7/8$	$1\ 15/32$	$2\ 3/16$	$1/4$	$3/8$	$1\ 1/8$	$3\ 3/16$	$2\ 1/64$	0.60
	$5/8$	FXRY210N*■	FXRYG210N*■											
204	$11/16$	FXRY211N*■	FXRYG211N*■	$2\ 13/16$	$1\ 3/64$	$2\ 5/32$	$1\ 23/32$	$2\ 15/32$	$5/16$	$27/64$	$1\ 5/16$	$3\ 9/16$	$23/64$	0.80
	$3/4$	FXRY212N*■	FXRYG212N*■											
205	$7/8$	FXRY214N*Δ	FXRYG214N*Δ	3	$1\ 1/16$	$2\ 3/8$	$1\ 3/4$	$2\ 23/32$	$5/16$	$27/64$	$1\ 1/2$	$3\ 3/4$	$23/64$	1.00
	$15/16$	FXRY215N*Δ	FXRYG215N*Δ											
	1	FXRY216N*Δ	FXRYG216N*Δ											
206	$1\ 1/8$	FXRY218N*■	FXRYG218N*■	$3\ 9/16$	$1\ 3/16$	$2\ 13/16$	$1\ 29/32$	$3\ 3/32$	$3/8$	$15/32$	$1\ 3/4$	$4\ 7/16$	$27/64$	1.40
	$1\ 3/16$	FXRY219N*■	FXRYG219N*■											
	$1\ 1/4$	FXRY2E20N*■	FXRYG2E20N*■											
207	$1\ 1/4$	FXRY220N*Δ	FXRYG220N*Δ	$3\ 15/16$	$1\ 9/32$	$3\ 7/32$	$2\ 1/64$	$3\ 1/2$	$3/8$	$1/2$	$2\ 3/16$	$4\ 13/16$	$7/16$	2.00
	$1\ 3/8$	FXRY222N*Δ	FXRYG222N*Δ											
	$1\ 7/16$	FXRY223N*Δ	FXRYG223N*Δ											

Additional Notes

- Please call 1-866-REXNORD for availability
- Lubrication fitting tap size: for size codes 204 and below, 10-32 UNF: for all other size codes, 1/4 in-28 UNF
- Short shank square neck carriage bolt is not recommended
- * N lip seals standard
- Available with H labyrinth seals
- Δ Available with E3 triple lip seals
- For the Selection Guide, Load Ratings and Speed Limits, see the Link-Belt 200 Series Ball Bearing Engineering section

Note: Dimensions subject to change. Certified dimensions of ordered material furnished on request.

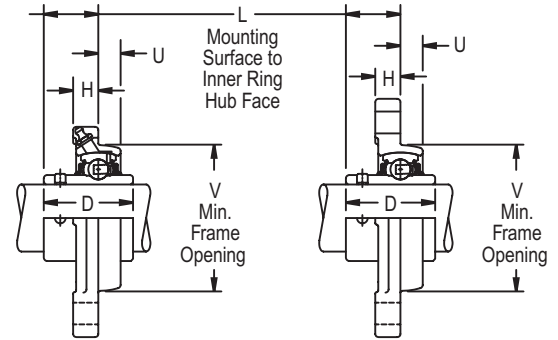
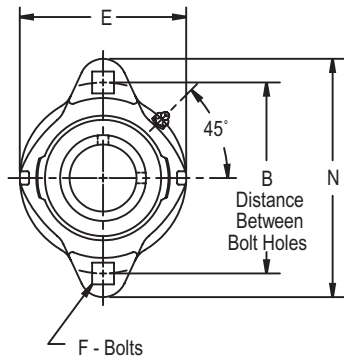
FXRU200, FXRUG200



Photo Shows a 2-Bolt Ball Bearing Flanged Unit with High Test Iron Housing

Product Features

- Corrosion-resistant powder coating
- High test iron housing
- Broad range of sealing options
- Wide inner ring for increased shaft stability
- Spring locking setscrew mount
- Alignable & optional relubrication feature
- 2-bolt carriage inboard mounting
- See Features & Benefits for additional info.



Bearing Dimensions

Size Code	Shaft Diameter	Non-Relubricatable	Relubricatable	B Distance Between Bolt Holes	L Mounting Surface to Inner Ring Hub Face	V Frame Opening	D	E	F	H	N	U	Approx. Weight
		Part Number	Part Number										
203	1/2	FXRU2B08N*■	FXRUG2B08N*■	2 1/2	41/64	1 7/8	1 3/32	2 3/16	1/4	3/8	3 3/16	2 1/64	0.60
	5/8	FXRU210N*■	FXRUG210N*■										
	11/16	FXRU211N*■	FXRUG211N*■										
204	3/4	FXRU212N*■	FXRUG212N*■	2 13/16	3/4	2 5/32	1 9/32	2 15/32	5/16	27/64	3 9/16	23/64	0.80
205	7/8	FXRU214N*Δ	FXRUG214N*Δ	3	51/64	2 3/8	1 23/64	2 23/32	5/16	27/64	3 3/4	23/64	1.00
	15/16	FXRU215N*Δ	FXRUG215N*Δ										
	1	FXRU216N*Δ	FXRUG216N*Δ										
206	1 1/8	FXRU218N*■	FXRUG218N*■	3 9/16	61/64	2 13/16	1 9/16	3 3/32	3/8	15/32	4 7/16	27/64	1.40
	1 3/16	FXRU219N*■	FXRUG219N*■										
	1 1/4	FXRU2E20N*■	FXRUG2E20N*■										
207	1 1/4	FXRU220N*Δ	FXRUG220N*Δ	3 15/16	1 7/64	3 7/32	1 49/64	3 1/2	3/8	1/2	4 13/16	7/16	2.00
	1 3/8	FXRU222N*Δ	FXRUG222N*Δ										
	1 7/16	FXRU223N*Δ	FXRUG223N*Δ										

Additional Notes

- Please call 1-866-REXNORD for availability
- Lubrication fitting tap size: for size codes 204 and below, 10-32 UNF; for all other size codes, 1/4 in-28 UNF
- Short shank square neck carriage bolt is not recommended
- * N lip seals standard
- Available with H labyrinth seals
- Δ Available with E3 triple lip seals
- For the Selection Guide, Load Ratings and Speed Limits, see the Link-Belt 200 Series Ball Bearing Engineering section

Note: Dimensions subject to change. Certified dimensions of ordered material furnished on request.

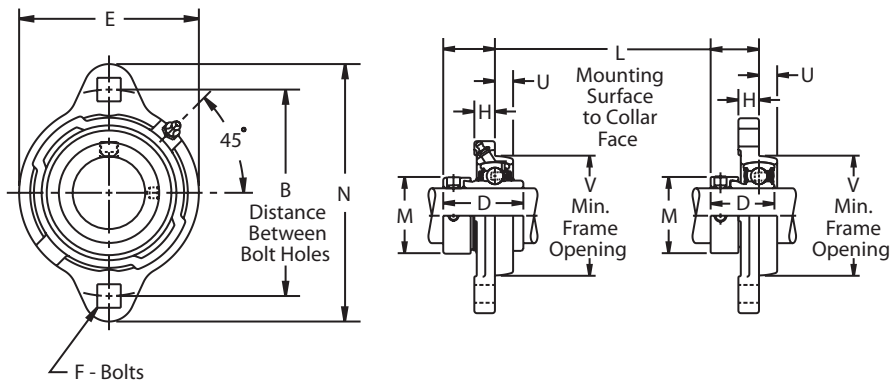
FXRW200, FXRWG200



Photo Shows a 2-Bolt Ball Bearing Flanged Unit with High Test Iron Housing

Product Features

- Corrosion-resistant powder coating
- High test iron housing
- Eccentric cam locking device
- Alignable & optional relubrication feature
- 2-bolt carriage inboard mounting
- See Features & Benefits for additional info.



Bearing Dimensions

Size Code	Shaft Diameter	Non-Relubricatable	Relubricatable	B Distance Between Bolt Holes	L Mounting Surface to Collar Face	V Frame Opening	D	E	F	H	M	N	U	Approx. Weight
		Part Number	Part Number											
203	1/2	FXRW2B08E▲	FXRWG2B08E▲	2 1/2	7/8	1 7/8	1 1/8	2 3/16	1/4	3/8	1 1/8	3 3/16	21/64	0.50
	5/8	FXRW210E▲	FXRWG210E▲											
204	3/4	FXRW212E▲	FXRWG212E▲	2 13/16	59/64	2 5/32	1 7/32	2 15/32	5/16	27/64	1 5/16	3 9/16	23/64	0.70
205	7/8	FXRW214E▲	FXRWG214E▲	3	59/64	2 3/8	1 7/32	2 23/32	5/16	27/64	1 1/2	3 3/4	23/64	0.80
	15/16	FXRW215E▲	FXRWG215E▲											
	1	FXRW216E▲	FXRWG216E▲											
206	1 1/8	FXRW218E▲	FXRWG218E▲	3 9/16	1 3/64	2 13/16	1 13/32	3 3/32	3/8	15/32	1 3/4	4 7/16	27/64	1.20
	1 3/16	FXRW219E▲	FXRWG219E▲											
	1 1/4	FXRW220E▲	FXRWG220E▲											
207	1 1/4	FXRW220E▲	FXRWG220E▲	3 15/16	1 5/32	3 7/32	1 17/32	3 1/2	3/8	1/2	2 3/16	4 13/16	7/16	1.80
	1 3/8	FXRW222E▲	FXRWG222E▲											
	1 7/16	FXRW223E▲	FXRWG223E▲											

Additional Notes

- Please call 1-866-REXNORD for availability
- Lubrication fitting tap size: for size codes 204 and below, 10-32 UNF; for all other size codes, 1/4 in-28 UNF
- Short shank square neck carriage bolt is not recommended
- ▲ E lip seals standard
- For the Selection Guide, Load Ratings and Speed Limits, see the Link-Belt 200 Series Ball Bearing Engineering section
- Note: Dimensions subject to change. Certified dimensions of ordered material furnished on request.

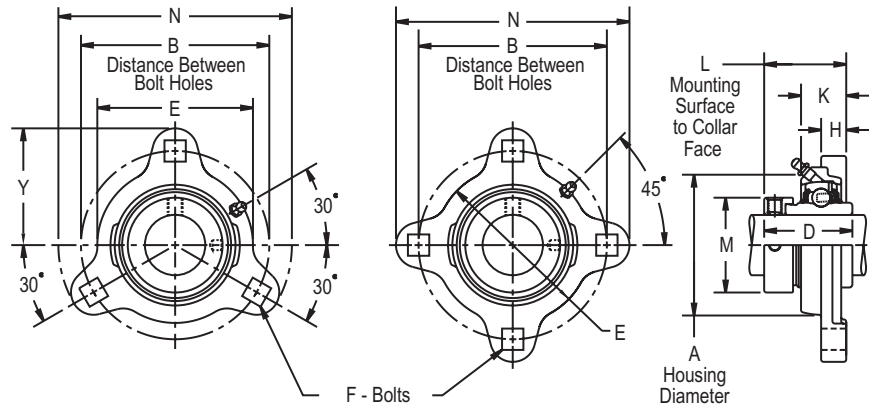
FY200, FYG200



Photo Shows a 3-Bolt Ball Bearing Flanged Unit with High Test Iron Housing

Product Features

- Corrosion-resistant powder coating
- High test iron housing
- Broad range of sealing options
- Wide inner ring for increased shaft stability
- Eccentric cam locking device
- Alignable & optional relubrication feature
- 3 or 4-bolt carriage outboard mounting
- See Features & Benefits for additional info.



Bearing Dimensions

Size Code	Shaft Diameter	Non-Relubricatable		Relubricatable		B Distance Between Bolt Holes	L Mounting Surface to Collar Face	D	E	F	H	K	M	N	Y	Approx. Weight
		Part Number	A Housing Diameter	Part Number	A Housing Diameter											
3-Bolt																
203	1/2	FY2B08N*■	1 25/32	FYG2B08N*■	1 29/32	2 1/2	1 19/64	1 15/32	2 3/32	1/4	3/8	45/64	1 1/8	3 3/16	1 19/32	0.60
	5/8	FY210N*■		FYG210N*■												
	11/16	FY211N*■		FYG211N*■												
204	3/4	FY212N*■	2 1/16	FYG212N*■	2 3/16	2 13/16	1 15/32	1 23/32	2 3/8	5/16	27/64	25/32	1 5/16	3 9/16	1 25/32	0.80
	7/8	FY214N*Δ		FYG214N*Δ												
205	15/16	FY215N*Δ	2 9/32	FYG215N*Δ	2 3/8	3	1 31/64	1 3/4	2 5/8	5/16	27/64	25/32	1 1/2	3 3/4	1 7/8	1.00
	1	FY216N*Δ		FYG216N*Δ												
	1 1/8	FY218N*■		FYG218N*■												
206	1 3/16	FY219N*■	2 23/32	FYG219N*■	2 13/16	3 9/16	1 21/32	1 29/32	3 3/32	3/8	15/32	57/64	1 3/4	4 7/16	2 7/32	1.40
	1 1/4	FY2E20N*■		FYG2E20N*■												
	1 1/4	FY220N*Δ		FYG220N*Δ												
207	1 3/8	FY222N*Δ	3 1/8	FYG222N*Δ	3 7/32	3 15/16	1 25/32	2 1/64	3 1/2	3/8	1/2	15/16	2 3/16	4 13/16	2 13/32	2.00
	1 7/16	FY223N*Δ		FYG223N*Δ												
4-Bolt																
208	1 1/2	FY224N*Δ	3 15/32	FYG224N*Δ	3 21/32	4 11/16	2	2 7/32	3 7/8	1/2	5/8	1 1/8	2 3/8	5 13/16	-	3.00
	1 5/8	FY226N*Δ		FYG226N*Δ												
209	1 11/16	FY227N*Δ	3 11/16	FYG227N*Δ	3 13/16	4 3/4	2	2 7/32	4 7/32	1/2	5/8	1 1/8	2 1/2	5 7/8	-	3.10
	1 3/4	FY228N*Δ		FYG228N*Δ												
210	1 15/16	FY231N*Δ	3 7/8	FYG231N*Δ	4 1/16	5	2 1/8	2 15/32	4 15/32	1/2	5/8	1 1/8	2 3/4	6 1/8	-	3.60
	2	FY2E32N*Δ		FYG2E32N*Δ												

Additional Notes

- Please call 1-866-REXNORD for availability
- Lubrication fitting tap size: for size codes 204 and below, 10-32 UNF; for all other size codes, 1/4 in-28 UNF
- Loading slots are on mounting face side for non-relubricatable units
- * N lip seals standard
- Available with H labyrinth seals
- Δ Available with E3 triple lip seals
- For the Selection Guide, Load Ratings and Speed Limits, see the Link-Belt 200 Series Ball Bearing Engineering section

Note: Dimensions subject to change. Certified dimensions of ordered material furnished on request.

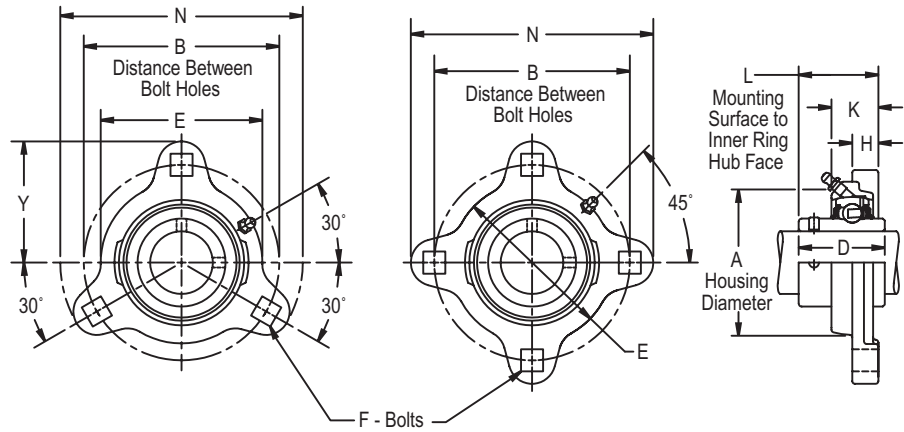
FU200, FUG200



Photo Shows a 3-Bolt Ball Bearing Flanged Unit with High Test Iron Housing

Product Features

- Corrosion-resistant powder coating
- High test iron housing
- Broad range of sealing options
- Wide inner ring for increased shaft stability
- Spring locking setscrew mount
- Alignable & optional relubrication feature
- 3 or 4-bolt carriage outboard mounting
- See Features & Benefits for additional info.



Bearing Dimensions

Size Code	Shaft Diameter	Non-Relubricatable		Relubricatable		B Distance Between Bolt Holes	L Mounting Surface to Inner Ring Hub Face	D	E	F	H	K	N	Y	Approx. Weight	
		Part Number	A Housing Diameter	Part Number	A Housing Diameter											
3-Bolt																
203	1/2	FU2B08N*■	1 25/32	FUG2B08N*■	1 29/32	2 1/2	1 1/64	1 3/32	2 3/32	1/4	3/8	45/64	3 3/16	1 19/32	0.60	
		5/8		FU210N*■												FUG210N*■
	11/16	FU211N*■		FUG211N*■												
204	3/4	FU212N*■	2 1/16	FUG212N*■	2 3/16	2 13/16	1 11/64	1 9/32	2 3/8	5/16	27/64	25/32	3 9/16	1 25/32	0.80	
205	7/8	FU214N*Δ■	2 9/32	FUG214N*Δ■	2 3/8	3	1 7/32	1 23/64	2 5/8	5/16	27/64	25/32	3 3/4	1 7/8	1.00	
		15/16		FU215N*Δ■												FUG215N*Δ■
		1		FU216N*Δ■												FUG216N*Δ■
206	1 1/8	FU218N*■	2 23/32	FUG218N*■	2 13/16	3 9/16	1 27/64	1 9/16	3 3/32	3/8	15/32	57/64	4 7/16	2 7/32	1.40	
		1 3/16		FU219N*■												FUG219N*■
		1 1/4		FU2E20N*■												FUG2E20N*■
207	1 1/4	FU220N*Δ■	3 1/8	FUG220N*Δ■	3 7/32	3 15/16	1 39/64	1 49/64	3 1/2	3/8	1/2	15/16	4 13/16	2 13/32	2.00	
		1 3/8		FU222N*Δ■												FUG222N*Δ■
		1 7/16		FU223N*Δ■												FUG223N*Δ■
4-Bolt																
208	1 1/2	FU224N*Δ■	3 15/32	FUG224N*Δ■	3 21/32	4 11/16	1 51/64	1 29/32	3 7/8	1/2	5/8	1 1/8	5 13/16	-	3.00	
		1 5/8		FU226N*Δ■												FUG226N*Δ■
209	1 11/16	FU227N*Δ■	3 11/16	FUG227N*Δ■	3 13/16	4 3/4	1 55/64	2 1/32	4 7/32	1/2	5/8	1 1/8	5 7/8	-	3.10	
		1 3/4		FU228N*Δ■												FUG228N*Δ■
210	1 15/16	FU231N*Δ■	3 7/8	FUG231N*Δ■	4 1/16	5	1 57/64	2 3/32	4 15/32	1/2	5/8	1 1/8	6 1/8	-	3.60	
		2		FU2E32N*Δ■												FUG2E32N*Δ■

Additional Notes

- Please call 1-866-REXNORD for availability
- Lubrication fitting tap size: for size codes 204 and below, 10-32 UNF; for all other size codes, 1/4 in-28 UNF
- Loading slots are on mounting face side for non-relubricatable units
- * N lip seals standard
- Available with H labyrinth seals
- Δ Available with E3 triple lip seals
- For the Selection Guide, Load Ratings and Speed Limits, see the Link-Belt 200 Series Ball Bearing Engineering section

Note: Dimensions subject to change. Certified dimensions of ordered material furnished on request.

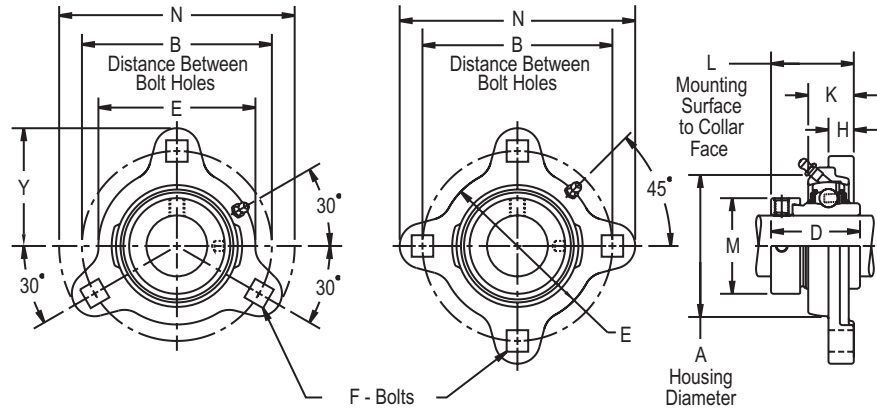
FW200, FWG200



Photo Shows a 3-Bolt Ball Bearing Flanged Unit with High Test Iron Housing

Product Features

- Corrosion-resistant powder coating
- High test iron housing
- Eccentric cam locking device
- Alignable & optional relubrication feature
- 3 or 4-bolt carriage outboard mounting
- See Features & Benefits for additional info.



Bearing Dimensions

Size Code	Shaft Diameter	Non-Relubricatable		Relubricatable		B Distance Between Bolt Holes	L Mounting Surface to Collar Face	D	E	F	H	K	M	N	Y	Approx. Weight	
		Part Number	A Housing Diameter	Part Number	A Housing Diameter												
3-Bolt																	
203	1/2	FW2B08E▲	1 25/32	FWG2B08E▲	1 29/32	2 1/2	1 1/4	1 1/8	2 3/32	1/4	3/8	45/64	1 1/8	3 3/16	1 19/32	0.50	
		5/8		FW210E▲													FWG210E▲
204	3/4	FW212E▲	2 1/16	FWG212E▲	2 3/16	2 13/16	1 11/32	1 7/32	2 3/8	5/16	27/64	25/32	1 5/16	3 9/16	1 25/32	0.70	
205	7/8	FW214E▲	2 9/32	FWG214E▲	2 3/8	3	1 11/32	1 7/32	2 5/8	5/16	27/64	25/32	1 1/2	3 3/4	1 7/8	0.80	
		15/16		FW215E▲													FWG215E▲
		1		FW216E▲													FWG216E▲
206	1 1/8	FW218E▲	2 23/32	FWG218E▲	2 13/16	3 9/16	1 17/32	1 13/32	3 3/32	3/8	15/32	57/64	1 3/4	4 7/16	2 7/32	1.20	
		1 3/16		FW219E▲													FWG219E▲
		1 1/4		FW2E20E▲													FWG2E20E▲
207	1 1/4	FW220E▲	3 1/8	FWG220E▲	3 7/32	3 15/16	1 21/32	1 17/32	3 1/2	3/8	1/2	7/8	2 3/16	4 13/16	2 13/32	1.80	
		1 3/8		FW222E▲													FWG222E▲
		1 7/16		FW223E▲													FWG223E▲
4-Bolt																	
208	1 1/2	FW224E▲	3 15/32	FWG224E▲	3 21/32	4 11/16	1 29/32	1 23/32	3 7/8	1/2	5/8	1 1/8	2 3/8	5 13/16	-	2.80	
		1 5/8		FW226E▲													FWG226E▲
209	1 11/16	FW227E▲	3 11/16	FWG227E▲	3 13/16	4 3/4	1 29/32	1 23/32	4 7/32	1/2	5/8	1 1/8	2 1/2	5 7/8	-	2.90	
		1 3/4		FW228E▲													FWG228E▲
210	1 15/16	FW231E▲	3 7/8	FWG231E▲	4 1/16	5	1 29/32	1 23/32	4 15/32	1/2	5/8	1 1/8	2 3/4	6 1/8	-	3.10	
		2		FW2E32E▲													FWG2E32E▲

Additional Notes

- Please call 1-866-REXNORD for availability
- Lubrication fitting tap size: for size codes 204 and below, 10-32 UNF; for all other size codes, 1/4 in-28 UNF
- Loading slots are on mounting face side for non-relubricatable units
- ▲ E lip seals standard
- For the Selection Guide, Load Ratings and Speed Limits, see the Link-Belt 200 Series Ball Bearing Engineering section
- Note: Dimensions subject to change. Certified dimensions of ordered material furnished on request.

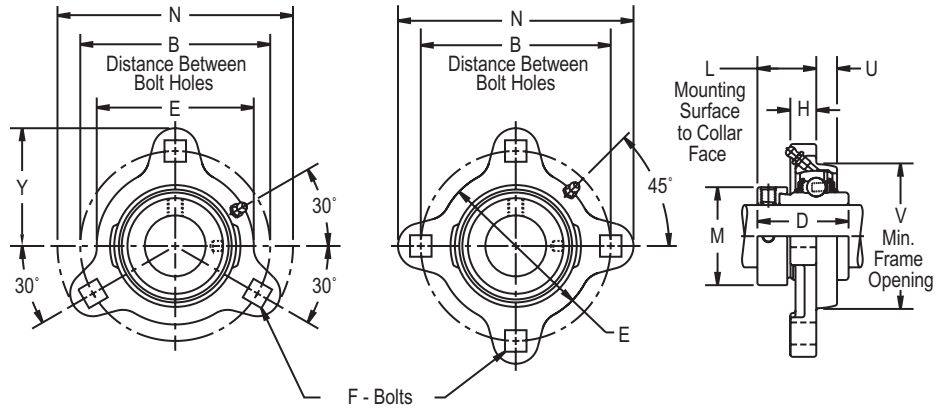
FRY200, FRYG200



Photo Shows a 3-Bolt Ball Bearing Flanged Unit with High Test Iron Housing

Product Features

- Corrosion-resistant powder coating
- High test iron housing
- Broad range of sealing options
- Wide inner ring for increased shaft stability
- Eccentric cam locking device
- Alignable & optional relubrication feature
- 3 or 4-bolt carriage inboard mounting
- See Features & Benefits for additional info.



Bearing Dimensions

Size Code	Shaft Diameter	Non-Relubricatable	Relubricatable	B Distance Between Bolt Holes	L Mounting Surface to Collar Face	V Frame Opening	D	E	F	H	M	N	U	Y	Approx. Weight
		Part Number	Part Number												
3-Bolt															
203	1/2	FRY2B08N*■	FRYG2B08N*■	2 1/2	59/64	1 7/8	1 15/32	2 3/32	1/4	3/8	1 1/8	3 3/16	2 1/64	1 19/32	0.60
	5/8	FRY210N*■	FRYG210N*■												
	11/16	FRY211N*■	FRYG211N*■												
204	3/4	FRY212N*■	FRYG212N*■	2 13/16	1 3/64	2 5/32	1 23/32	2 3/8	5/16	27/64	1 5/16	3 9/16	23/64	1 25/32	0.80
	7/8	FRY214N*Δ	FRYG214N*Δ												
205	15/16	FRY215N*Δ	FRYG215N*Δ	3	1 1/16	2 3/8	1 3/4	2 5/8	5/16	27/64	1 1/2	3 3/4	23/64	1 7/8	1.00
	1	FRY216N*Δ	FRYG216N*Δ												
	1 1/8	FRY218N*■	FRYG218N*■												
206	1 3/16	FRY219N*■	FRYG219N*■	3 9/16	1 3/16	2 13/16	1 25/32	3 3/32	3/8	15/32	1 3/4	4 7/16	27/64	2 7/32	1.40
	1 1/4	FRY2E20N*■	FRYG2E20N*■												
	1 1/4	FRY220N*Δ	FRYG220N*Δ												
207	1 3/8	FRY222N*Δ	FRYG222N*Δ	3 15/16	1 9/32	3 7/32	2 1/64	3 1/2	3/8	1/2	2 3/16	4 13/16	7/16	2 13/32	2.00
	1 7/16	FRY223N*Δ	FRYG223N*Δ												
	1 1/2	FRY224N*Δ	FRYG224N*Δ												
4-Bolt															
208	1 1/2	FRY224N*Δ	FRYG224N*Δ	4 11/16	1 3/8	3 9/16	2 7/32	3 7/8	1/2	5/8	2 3/8	5 13/16	1/2	-	3.00
	1 5/8	FRY226N*Δ	FRYG226N*Δ												
209	1 11/16	FRY227N*Δ	FRYG227N*Δ	4 3/4	1 3/8	3 25/32	2 7/32	4 7/32	1/2	5/8	2 1/2	5 7/8	1/2	-	3.10
	1 3/4	FRY228N*Δ	FRYG228N*Δ												
210	1 15/16	FRY231N*Δ	FRYG231N*Δ	5	1 1/2	3 31/32	2 15/32	4 15/32	1/2	5/8	2 3/4	6 1/8	1/2	-	3.60
	2	FRY2E32N*Δ	FRYG2E32N*Δ												

Additional Notes

- Please call 1-866-REXNORD for availability
- Lubrication fitting tap size: for size codes 204 and below, 10-32 UNF; for all other size codes, 1/4 in-28 UNF
- Short shank square neck carriage bolt is not recommended
- * N lip seals standard
- Available with H labyrinth seals
- Δ Available with E3 triple lip seals
- For the Selection Guide, Load Ratings and Speed Limits, see the Link-Belt 200 Series Ball Bearing Engineering section

Note: Dimensions subject to change. Certified dimensions of ordered material furnished on request.

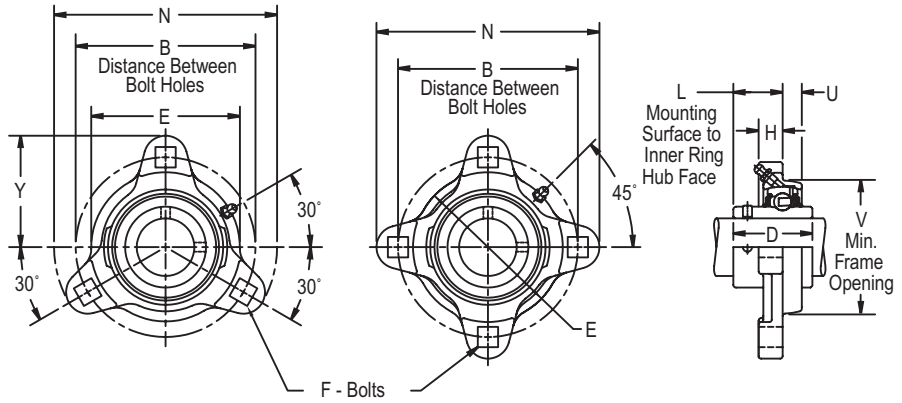
FRU200, FRUG200



Photo Shows a 3-Bolt Ball Bearing Flanged Unit with High Test Iron Housing

Product Features

- Corrosion-resistant powder coating
- High test iron housing
- Broad range of sealing options
- Wide inner ring for increased shaft stability
- Spring locking setscrew mount
- Alignable & optional relubrication feature
- 3 or 4-bolt carriage inboard mounting
- See Features & Benefits for additional info.



Bearing Dimensions

Size Code	Shaft Diameter	Non-Relubricatable	Relubricatable	B Distance Between Bolt Holes	L Mounting Surface to Inner Ring Hub Face	V Frame Opening	D	E	F	H	N	U	Y	Approx. Weight
		Part Number	Part Number											
3-Bolt														
203	1/2	FRU2B08N*■	FRUG2B08N*■	2 1/2	41/64	1 7/8	1 3/32	2 3/32	1/4	3/8	3 3/16	21/64	1 19/32	0.60
	5/8	FRU210N*■	FRUG210N*■											
	11/16	FRU211N*■	FRUG211N*■											
204	3/4	FRU212N*■	FRUG212N*■	2 13/16	3/4	2 5/32	1 9/32	2 3/8	5/16	27/64	3 9/16	23/64	1 25/32	0.80
205	7/8	FRU214N*Δ	FRUG214N*Δ	3	51/64	2 3/8	1 23/64	2 5/8	5/16	27/64	3 3/4	23/64	1 7/8	1.00
	15/16	FRU215N*Δ	FRUG215N*Δ											
	1	FRU216N*Δ	FRUG216N*Δ											
206	1 1/8	FRU218N*■	FRUG218N*■	3 9/16	61/64	2 13/16	1 9/16	3 3/32	3/8	15/32	4 7/16	27/64	2 7/32	1.40
	1 3/16	FRU219N*■	FRUG219N*■											
	1 1/4	FRU2E20N*■	FRUG2E20N*■											
207	1 1/4	FRU220N*Δ	FRUG220N*Δ	3 15/16	1 7/64	3 7/32	1 49/64	3 1/2	3/8	1/2	4 13/16	7/16	2 13/32	2.00
	1 3/8	FRU222N*Δ	FRUG222N*Δ											
	1 7/16	FRU223N*Δ	FRUG223N*Δ											
4-Bolt														
208	1 1/2	FRU224N*Δ	FRUG224N*Δ	4 11/16	1 11/64	3 9/16	1 29/32	3 7/8	1/2	5/8	5 13/16	1/2	-	3.00
	1 5/8	FRU226N*Δ	FRUG226N*Δ											
209	1 11/16	FRU227N*Δ	FRUG227N*Δ	4 3/4	1 15/64	3 25/32	2 1/32	4 7/32	1/2	5/8	5 7/8	1/2	-	3.10
	1 3/4	FRU228N*Δ	FRUG228N*Δ											
210	1 15/16	FRU231N*Δ	FRUG231N*Δ	5	1 17/64	3 31/32	2 3/32	4 15/32	1/2	5/8	6 1/8	1/2	-	3.60
	2	FRU2E32N*Δ	FRUG2E32N*Δ											

Additional Notes

- Please call 1-866-REXNORD for availability
- Lubrication fitting tap size: for size codes 204 and below, 10-32 UNF; for all other size codes, 1/4 in-28 UNF
- Short shank square neck carriage bolt is not recommended
- * N lip seals standard
- Available with H labyrinth seals
- Δ Available with E3 triple lip seals
- For the Selection Guide, Load Ratings and Speed Limits, see the Link-Belt 200 Series Ball Bearing Engineering section

Note: Dimensions subject to change. Certified dimensions of ordered material furnished on request.

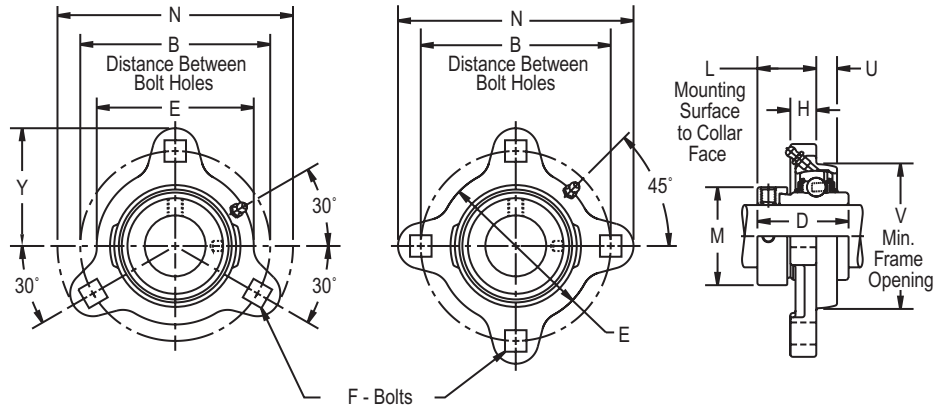
FRW200, FRWG200



Photo Shows a 3-Bolt Ball Bearing Flanged Unit with High Test Iron Housing

Product Features

- Corrosion-resistant powder coating
- High test iron housing
- Eccentric cam locking device
- Alignable & optional relubrication feature
- 3 or 4-bolt carriage inboard mounting
- See Features & Benefits for additional info.



Bearing Dimensions

Size Code	Shaft Diameter	Non-Relubricatable	Relubricatable	B Distance Between Bolt Holes	L Mounting Surface to Collar Face	V Frame Opening	D	E	F	H	M	N	U	Y	Approx. Weight
		Part Number	Part Number												
3-Bolt															
203	1/2	FRW2B08E▲	FRWG2B08E▲	2 1/2	7/8	1 7/8	1 1/8	2 3/32	1/4	3/8	1 1/8	3 3/16	21/64	1 19/32	0.50
	5/8	FRW210E▲	FRWG210E▲												
204	3/4	FRW212E▲	FRWG212E▲	2 13/16	59/64	2 5/32	1 7/32	2 3/8	5/16	27/64	1 5/16	3 9/16	23/64	1 25/32	0.70
205	7/8	FRW214E▲	FRWG214E▲	3	59/64	2 3/8	1 7/32	2 5/8	5/16	27/64	1 1/2	3 3/4	23/64	1 7/8	0.80
	15/16	FRW215E▲	FRWG215E▲												
	1	FRW216E▲	FRWG216E▲												
206	1 1/8	FRW218E▲	FRWG218E▲	3 9/16	1 3/64	2 13/16	1 13/32	3 3/32	3/8	15/32	1 3/4	4 7/16	27/64	2 7/32	1.20
	1 3/16	FRW219E▲	FRWG219E▲												
	1 1/4	FRW2E20E▲	FRWG2E20E▲												
207	1 1/4	FRW220E▲	FRWG220E▲	3 15/16	1 5/32	3 7/32	1 17/32	3 1/2	3/8	1/2	2 3/16	4 13/16	7/16	2 13/32	1.80
	1 3/8	FRW222E▲	FRWG222E▲												
	1 7/16	FRW223E▲	FRWG223E▲												
4-Bolt															
208	1 1/2	FRW224E▲	FRWG224E▲	4 11/16	1 9/32	3 9/16	1 23/32	3 7/8	1/2	5/8	2 3/8	5 13/16	1/2	-	2.80
	1 5/8	FRW226E▲	FRWG226E▲												
209	1 11/16	FRW227E▲	FRWG227E▲	4 3/4	1 9/32	3 25/32	1 23/32	4 7/32	1/2	5/8	2 1/2	5 7/8	1/2	-	2.90
	1 3/4	FRW228E▲	FRWG228E▲												
210	1 15/16	FRW231E▲	FRWG231E▲	5	1 9/32	3 31/32	1 23/32	4 15/32	1/2	5/8	2 3/4	6 1/8	1/2	-	3.10
	2	FRW2E32E▲	FRWG2E32E▲												

Additional Notes

- Please call 1-866-REXNORD for availability
- Lubrication fitting tap size: for size codes 204 and below, 10-32 UNF; for all other size codes, 1/4 in-28 UNF
- Short shank square neck carriage bolt is not recommended
- ▲ E lip seals standard
- For the Selection Guide, Load Ratings and Speed Limits, see the Link-Belt 200 Series Ball Bearing Engineering section
- Note: Dimensions subject to change. Certified dimensions of ordered material furnished on request.

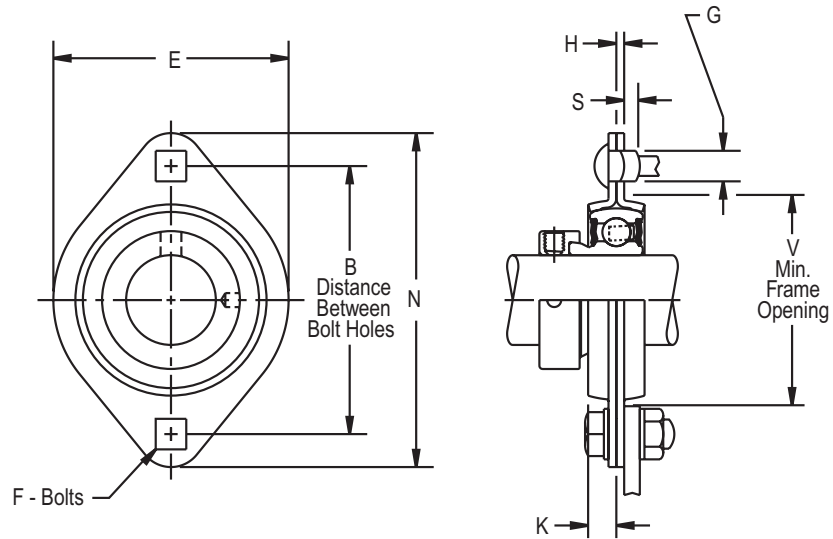
MST



Photo Shows an Formed Steel 2-Bolt Flanged Housing Half

Product Features

- 2-piece formed steel housing
- For collar mounted, round, square or hex bore bearings
- Alignable & non-relubricatable
- 2-bolt carriage mounting
- Bearing not included
- See Features & Benefits for additional info.



Bearing Dimensions

Size Code	Part Number	B Distance Between Bolt Holes	F		V Frame Opening	E	G	H	K	N	S Carriage Bolt		Radial Load Rating	Approx. Weight
			Hole Size	Bolt Size							Short Shank	Long Shank		
203	40MST	2 1/2	9/32	1/4	1 15/16	2 5/16	13/32	0.075	9/32	3 3/16	0.006	0.100	600	0.10
204	47MST	2 13/16	11/32	5/16	2 3/16	2 5/8	1/2	0.083	5/16	3 9/16	0.021	0.115	700	0.20
205	52MST	3	11/32	5/16	2 3/8	2 51/64	1/2	0.083	11/32	3 3/4	0.021	0.115	800	0.20
206	62MST	3 9/16	13/32	3/8	2 13/16	3 5/16	19/32	0.104	11/32	4 7/16	0.011	0.104	1,100	0.20

Additional Notes

Please call 1-866-REXNORD for availability
 Assembly requires two housing halves
 For bearing insert information, see Unmounted Ball Bearings section
 Note: Dimensions subject to change. Certified dimensions of ordered material furnished on request.

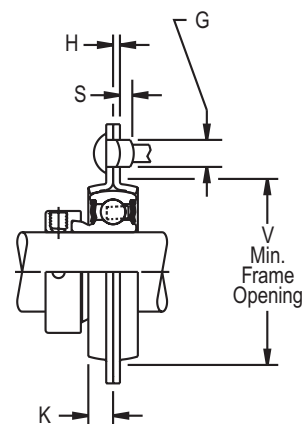
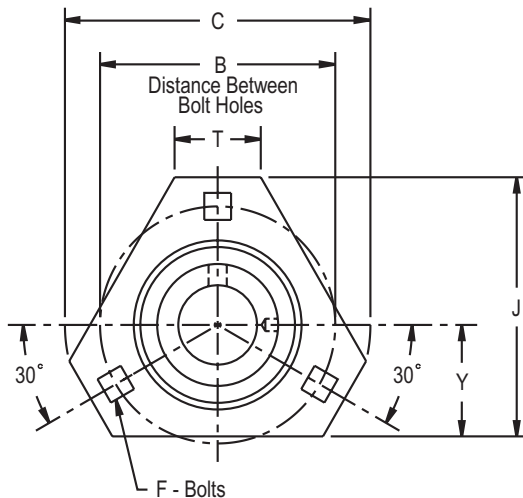
MSTR



Photo Shows a Formed Steel 3-Bolt Triangular Flanged Housing Half

Product Features

- 2-piece formed steel housing
- For collar mounted, round, square or hex bore bearings
- Alignable & non-relubricatable
- 3-bolt carriage mounting
- Bearing not included
- See Features & Benefits for additional info.



Bearing Dimensions

Size Code	Part Number	B Distance Between Bolt Holes	F		V Frame Opening	C	G	H	J	K	S Carriage Bolt		T	Y	Radial Load Rating	Approx. Weight
			Hole Size	Bolt Size							Short Shank	Long Shank				
204	47MSTR	2 ¹³ / ₁₆	¹¹ / ₃₂	⁵ / ₁₆	2 ³ / ₁₆	3 ⁹ / ₁₆	¹ / ₂	0.083	3	⁵ / ₁₆	0.021	0.115	1 ¹ / ₁₆	1 ⁵ / ₁₆	700	0.25
205	52MSTR	3	¹¹ / ₃₂	⁵ / ₁₆	2 ³ / ₈	3 ³ / ₄	¹ / ₂	0.083	3 ⁵ / ₃₂	¹¹ / ₃₂	0.021	0.115	1 ⁷ / ₆₄	1 ³ / ₈	800	0.50
206	62MSTR	3 ⁹ / ₁₆	¹³ / ₃₂	³ / ₈	2 ¹³ / ₁₆	4 ⁷ / ₁₆	¹⁹ / ₃₂	0.104	3 ¹¹ / ₁₆	¹¹ / ₃₂	0.011	0.104	³ / ₃₂	1 ¹ / ₂	1,100	0.50

Additional Notes

- Please call 1-866-REXNORD for availability
- Assembly requires two housing halves
- For bearing insert information, see Unmounted Ball Bearings section
- Note: Dimensions subject to change. Certified dimensions of ordered material furnished on request.

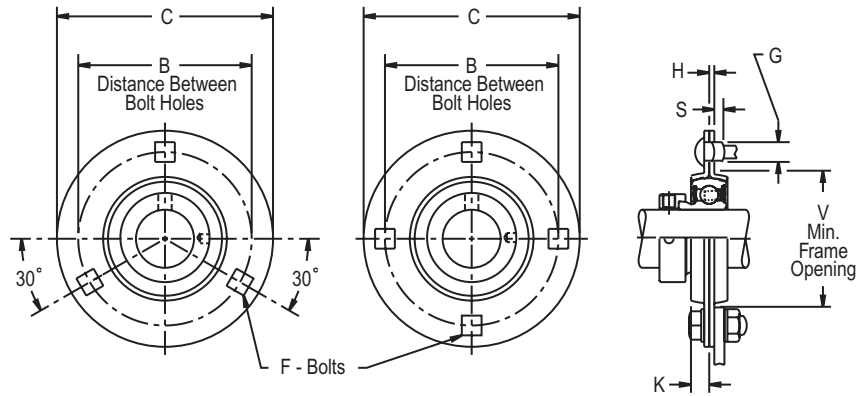
MS, MSC



Photo Shows a Formed Steel 3-Bolt or 4-Bolt Round Flanged Housing Half

Product Features

- 2-piece formed steel housing
- For collar mounted, round, square or hex bore bearings
- Alignable & non-relubricatable
- 3 or 4-bolt carriage mounting
- Bearing not included
- See Features & Benefits for additional info.



Bearing Dimensions

Size Code	Part Number	B Distance Between Bolt Holes	F		V Frame Opening	C	G	H	K	S Carriage Bolts		Radial Load Rating	Approx. Weight
			Hole Size	Bolt Size						Short Shank	Long S hank		
3-Bolt													
203	40MSC1	2 1/2	9/32	1/4	1 15/16	3 3/16	13/32	0.075	9/32	0.006	0.100	600	0.13
204	47MSC1	2 13/16	11/32	5/16	2 3/16	3 9/16	1/2	0.083	5/16	0.021	0.115	700	0.20
205	52MS2	3	11/32	5/16	2 3/8	3 3/4	1/2	0.104	11/32	0	0.073	1,100	0.30
	0.083							0.021		0.115	800		
206	62MSC1	3 9/16	13/32	3/8	2 13/16	4 7/16	19/32	0.104	11/32	0.011	0.104	1,100	0.35
	72MS2	3 15/16	13/32	3/8	3 3/16	4 13/16	19/32	0.134	3/8	0	0.044	1,700	
72MS3	0.149							0.014		1,900			
72MSC1	0.104							0.011		0.104	1,400		
4-Bolt													
208	80MSC1	4 11/16	17/32	1/2	3 9/16	5 13/16	49/64	0.134	13/32	0.013	0.107	1,700	0.80
209	85MSC1	4 3/4	17/32	1/2	3 13/16	5 7/8	49/64	0.134	7/16	0.013	0.107	1,700	1.00
210	90MSC1	5	17/32	1/2	4	6 1/8	49/64	0.149	7/16	0	0.077	1,900	1.00
211	100MSC1	5 7/16	17/32	1/2	4 7/16	6 9/16	49/64	0.149	15/32	0	0.077	1,900	1.10

Additional Notes

- Please call 1-866-REXNORD for availability
- Assembly requires two housing halves
- For bearing insert information, see Unmounted Ball Bearings section
- Note: Dimensions subject to change. Certified dimensions of ordered material furnished on request.

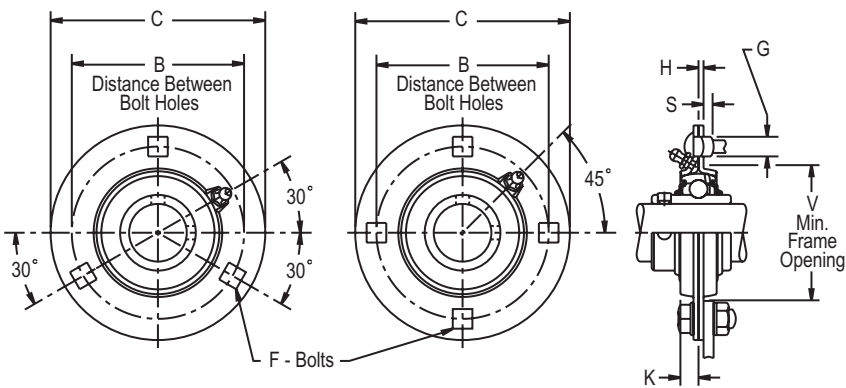
GMSA, GMSB



Photo Shows a Formed Steel 3-Bolt or 4-Bolt Round Flanged Housing Half

Product Features

- 2-piece formed steel housing
- For collar mounted, round, square or hex bore bearings
- Alignable & relubricatable
- 3 or 4-bolt carriage mounting
- Bearing not included
- See Features & Benefits for additional info.



Bearing Dimensions

Size Code	Part Number	B Distance Between Bolt Holes	F		V Frame Opening	C	G	H	K	S Carriage Bolts		Radial Load Rating	Approx. Weight
			Hole Size	Bolt Size						Short Shank	Long Shank		
3-Bolt													
205	G52MSA	3	¹¹ / ₃₂	⁵ / ₁₆	2 ³ / ₈	3 ³ / ₄	¹ / ₂	0.083	¹¹ / ₃₂	0.021	0.115	800	0.30
206	G62MSA	3 ⁹ / ₁₆	¹³ / ₃₂	³ / ₈	2 ¹³ / ₁₆	4 ⁷ / ₁₆	¹⁹ / ₃₂	0.104	³ / ₈	0.011	0.104	1,100	0.50
	G62MSA3							0		0.044	1,400		
	G62MSB							0.104		0.011	0.104	1,100	
	G62MSB3							0		0.044	1,400		
207	G72MSA	3 ¹⁵ / ₁₆	¹³ / ₃₂	³ / ₈	3 ³ / ₁₆	4 ¹³ / ₁₆	¹³ / ₃₂	0.134	⁷ / ₁₆	0	0.044	1,400	0.50
	G72MSB												
4-Bolt													
208	G80MSA	4 ¹¹ / ₁₆	¹⁷ / ₃₂	¹ / ₂	3 ⁹ / ₁₆	5 ¹³ / ₁₆	⁴⁹ / ₆₄	0.149	⁵ / ₈	0.013	0.107	1,700	0.90
	G80MSB												
209	G85MSA	4 ³ / ₄	¹⁷ / ₃₂	¹ / ₂	3 ¹³ / ₁₆	5 ⁷ / ₈	⁴⁹ / ₆₄	0.149	⁵ / ₈	0.013	0.107	1,700	0.90
	G85MSB												
210	G90MSA	5	¹⁷ / ₃₂	¹ / ₂	4	6 ¹ / ₈	⁴⁹ / ₆₄	0.164	¹ / ₂	0	0.077	1,900	1.00
	G90MSB												
211	G100MSA	5 ⁷ / ₁₆	¹⁷ / ₃₂	¹ / ₂	4 ⁹ / ₁₆	6 ⁹ / ₁₆	⁴⁹ / ₆₄	0.164	⁵ / ₈	0	0.077	2,300	1.20
	G100MSB												

Additional Notes

- Please call 1-866-REXNORD for availability
- Assembly requires one GMSA & one GMSB
- For bearing insert information, see Unmounted Ball Bearings section
- G100MSA & G100MSB hole tolerance +/- .015 in (**+/- .038 mm**)
- GMSA are housing halves with straight lube fittings
- GMSB are housing halves without fittings
- Note: Dimensions subject to change. Certified dimensions of ordered material furnished on request.

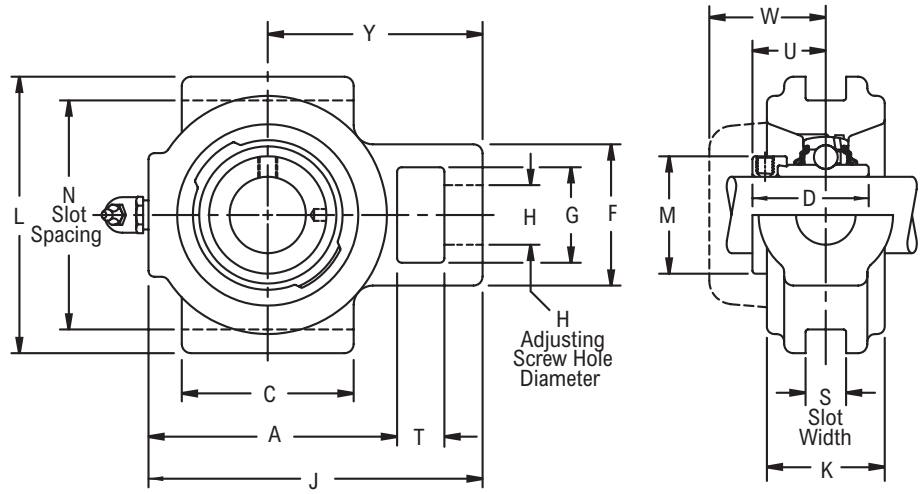
T3Y200



Photo Shows a Ball Bearing Take-up Unit

Product Features

- Corrosion-resistant powder coating
- Cast iron housing
- Standard slot design
- Broad range of sealing options
- Wide inner ring for increased shaft stability
- Eccentric cam locking device
- Alignable & relubricatable
- See Features & Benefits for additional info.



Bearing Dimensions

Size Code	Shaft Diameter	Part Number	H Adjusting Screw Clearance	N Slot Spacing	S Slot Width	A	C	D	F	G	J	K	L	T	U	W	Y	Approx. Weight
203	$\frac{5}{8}$	T3Y210N*■	$\frac{9}{16}$	1.875	0.281	$2\frac{3}{16}$	$1\frac{7}{8}$	$1\frac{15}{32}$	$1\frac{11}{16}$	$1\frac{1}{16}$	3	$\frac{13}{16}$	$2\frac{1}{4}$	$\frac{1}{2}$	$\frac{59}{64}$	$1\frac{13}{64}$	$1\frac{15}{16}$	1.00
	$\frac{11}{16}$	T3Y211N*■																
204	$\frac{1}{2}$	T3Y2B08N*■	$\frac{9}{16}$	2.125	0.281	$2\frac{1}{2}$	$1\frac{7}{8}$	$1\frac{23}{32}$	$1\frac{11}{16}$	$1\frac{1}{16}$	$3\frac{5}{16}$	$\frac{15}{16}$	$2\frac{5}{8}$	$\frac{1}{2}$	$1\frac{3}{64}$	$1\frac{5}{16}$	$2\frac{3}{32}$	1.50
	$\frac{3}{4}$	T3Y212N*■																
205	$\frac{7}{8}$	T3Y214NΔ*■	$\frac{9}{16}$	2.375	0.281	$2\frac{3}{4}$	2	$1\frac{3}{4}$	$1\frac{11}{16}$	$1\frac{1}{16}$	$3\frac{9}{16}$	1	$2\frac{7}{8}$	$\frac{1}{2}$	$1\frac{1}{16}$	$1\frac{5}{16}$	$2\frac{7}{32}$	2.00
	$\frac{15}{16}$	T3Y215NΔ*■																
	1	T3Y216NΔ*■																
206	$1\frac{1}{8}$	T3Y218N*■	$\frac{5}{8}$	2.875	0.406	$3\frac{1}{4}$	$2\frac{3}{8}$	$1\frac{29}{32}$	$1\frac{7}{8}$	$1\frac{1}{8}$	$4\frac{3}{16}$	$1\frac{3}{32}$	$3\frac{1}{2}$	$\frac{9}{16}$	$1\frac{3}{16}$	$1\frac{29}{64}$	$2\frac{19}{32}$	3.00
	$1\frac{3}{16}$	T3Y219N*■																
	$1\frac{1}{4}$	T3Y2E20N*■																
207	$1\frac{1}{4}$	T3Y220NΔ*■	$\frac{11}{16}$	3.375	0.406	$3\frac{11}{16}$	$2\frac{5}{8}$	$2\frac{1}{64}$	2	$1\frac{1}{4}$	$4\frac{11}{16}$	$1\frac{3}{16}$	4	$\frac{5}{8}$	$1\frac{9}{32}$	$1\frac{35}{64}$	$2\frac{7}{8}$	3.40
	$1\frac{3}{8}$	T3Y222NΔ*■																
	$1\frac{7}{16}$	T3Y223NΔ*■																
208	$1\frac{1}{2}$	T3Y224NΔ*■	$\frac{11}{16}$	3.500	0.406	$4\frac{1}{16}$	$2\frac{7}{8}$	$2\frac{7}{32}$	2	$1\frac{1}{4}$	$5\frac{1}{8}$	$1\frac{11}{32}$	$4\frac{1}{8}$	$\frac{5}{8}$	$1\frac{3}{8}$	$1\frac{41}{64}$	$3\frac{1}{8}$	4.50
	$1\frac{5}{8}$	T3Y226NΔ*■																
209	$1\frac{11}{16}$	T3Y227NΔ*■	$\frac{7}{8}$	3.750	0.406	$4\frac{5}{16}$	$3\frac{1}{8}$	$2\frac{7}{32}$	$2\frac{1}{4}$	$1\frac{7}{16}$	$5\frac{3}{8}$	$1\frac{3}{8}$	$4\frac{1}{2}$	$\frac{5}{8}$	$1\frac{3}{8}$	$1\frac{21}{32}$	$3\frac{1}{4}$	5.30
	$1\frac{3}{4}$	T3Y228NΔ*■																
	$1\frac{15}{16}$	T3Y231NΔ*■																
210	2	T3Y232NΔ*■	$\frac{7}{8}$	4.000	0.406	$4\frac{9}{16}$	$3\frac{1}{4}$	$2\frac{15}{32}$	$2\frac{1}{4}$	$1\frac{7}{16}$	$5\frac{5}{8}$	$1\frac{13}{32}$	$4\frac{3}{4}$	$\frac{5}{8}$	$1\frac{1}{2}$	$1\frac{53}{64}$	$3\frac{3}{8}$	6.00
	$2\frac{3}{16}$	T3Y235NΔ*■																
211	2	T3Y232NΔ*■	$1\frac{1}{8}$	4.500	0.531	5	$3\frac{3}{4}$	$2\frac{13}{16}$	$2\frac{7}{8}$	$1\frac{15}{16}$	$6\frac{1}{4}$	$1\frac{9}{16}$	$5\frac{1}{4}$	$\frac{3}{4}$	$1\frac{23}{32}$	$2\frac{1}{64}$	$3\frac{25}{32}$	7.60
	$2\frac{3}{16}$	T3Y235NΔ*■																

Additional Notes

Please call 1-866-REXNORD for availability
 Lubrication fitting tap size: for size code 203, 1/4 in-28 UNF: for all other size codes, 1/8 in PT

* N lip seals standard

■ Available with H labyrinth seals

Δ Available with E3 triple lip seals

For the Selection Guide, Load Ratings and Speed Limits, see the Link-Belt 200 Series Ball Bearing Engineering section

Note: Dimensions subject to change. Certified dimensions of ordered material furnished on request.

T3U200

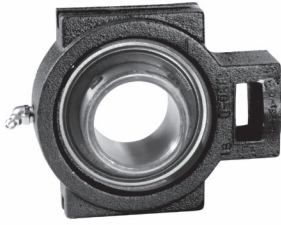
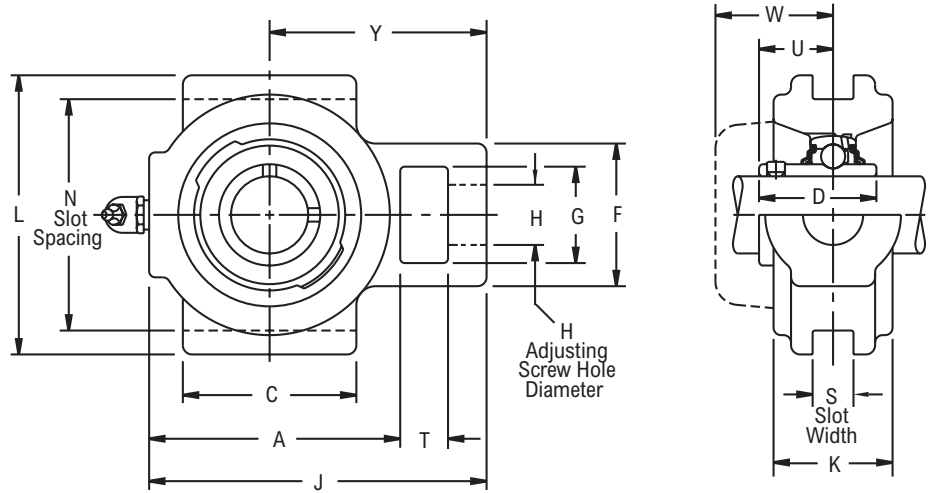


Photo Shows a Ball Bearing Take-up Unit

Product Features

- Corrosion-resistant powder coating
- Cast iron housing
- Standard slot design
- Broad range of sealing options
- Wide inner ring for increased shaft stability
- Spring locking setscrew mount
- Alignable & relubricatable
- See Features & Benefits for additional info.



Bearing Dimensions

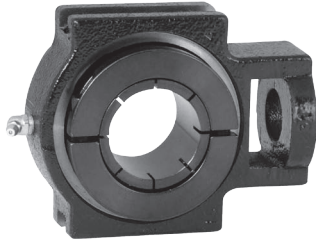
Size Code	Shaft Diameter	Part Number	H Adjusting Screw Clearance	N Slot Spacing	S Slot Width	A	C	D	F	G	J	K	L	T	U	W	Y	Approx. Weight
203	5/8	T3U210N*■	9/16	1 7/8	0.281	2 3/16	1 7/8	1 3/32	1 11/16	1 1/16	3	13/16	2 1/4	1/2	41/64	1 13/64	1 15/16	1.00
	11/16	T3U211N*■																
	1/2	T3U2B08N*■																
	17.00	T3U2M17N*■	14.30	47.620	7.140	55.60	47.60	27.78	42.90	27.00	76.20	20.60	57.20	12.70	16.30	30.60	49.20	0.45
204	3/4	T3U212N*■	9/16	2 1/8	0.281	2 1/2	1 7/8	1 9/32	1 11/16	1 1/16	3 5/16	15/16	2 5/8	1/2	3/4	1 5/16	2 3/32	1.50
	20.00	T3U2M20N*■																
205	7/8	T3U214N*■	9/16	2 3/8	0.281	2 3/4	2	1 23/64	1 11/16	1 1/16	3 9/16	1	2 7/8	1/2	51/64	1 5/16	2 7/32	2.00
	15/16	T3U215N*Δ																
	1	T3U216N*Δ																
	25.00	T3U2M25N*■																
206	1 1/8	T3U218N*■	5/8	2 7/8	0.406	3 1/4	2 3/8	1 9/16	1 7/8	1 1/8	4 3/16	1 3/32	3 1/2	9/16	61/64	1 29/64	2 19/32	3.00
	1 3/16	T3U219N*■																
	1 1/4	T3U2E20N*■																
	30.00	T3U2M30N*■																
207	1 1/4	T3U220N*Δ	11/16	3 3/8	0.406	3 11/16	2 5/8	1 49/64	2	1 1/4	4 11/16	1 3/16	4	5/8	1 7/64	1 35/64	2 7/8	3.40
	1 3/8	T3U222N*Δ																
	1 7/16	T3U223N*Δ																
	35.00	T3U2M35N*Δ	17.50	85.720	10.310	93.70	66.70	44.85	50.80	31.80	119.10	30.20	101.60	15.90	28.20	39.30	73.00	1.50
208	1 1/2	T3U224N*■	11/16	3 1/2	0.406	4 1/16	2 7/8	1 29/32	2	1 1/4	5 1/8	1 11/32	4 1/8	5/8	1 11/64	1 41/64	3 1/8	4.50
	40.00	T3U2M40N*■																
209	1 5/8	T3U226N*Δ	7/8	3 3/4	0.406	4 5/16	3 1/8	2 1/32	2 1/4	1 7/16	5 3/8	1 3/8	4 1/2	5/8	1 15/64	1 21/32	3 1/4	5.30
	1 11/16	T3U227N*Δ																
	1 3/4	T3U228N*Δ																
	45.00	T3U2M45N*Δ																
210	1 15/16	T3U231N*Δ	7/8	4	0.406	4 9/16	3 1/4	2 3/32	2 1/4	1 7/16	5 5/8	1 13/32	4 3/4	5/8	1 17/64	1 53/64	3 3/8	6.00
	2	T3U2E32N*Δ																
	50.00	T3U2M50N*Δ	22.20	101.600	10.310	115.90	82.60	53.18	57.20	36.50	142.90	35.70	120.60	15.90	32.10	46.40	85.70	2.70
211	2	T3U232N*■	1 1/8	4 1/2	0.531	5	3 3/4	2 1/4	2 7/8	1 15/16	6 1/4	1 9/16	5 1/4	3/4	1 13/32	2 1/64	3 25/32	7.60
	2 3/16	T3U235N*Δ																
	55.00	T3U2M55N*Δ																

Additional Notes

- Please call 1-866-REXNORD for availability
- Lubrication fitting tap size: for size code 203, 1/4 in-28 UNF; for all other size codes, 1/8 in PT
- * N lip seals standard
- Available with H labyrinth seals
- Δ Available with E3 triple lip seals
- For the Selection Guide, Load Ratings and Speed Limits, see the Link-Belt 200 Series Ball Bearing Engineering section

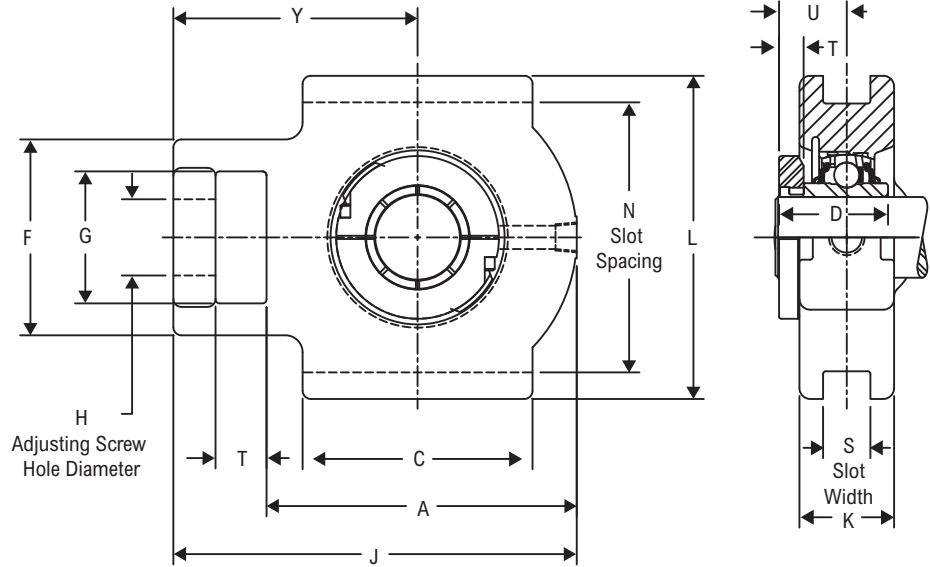
Note: Dimensions subject to change. Certified dimensions of ordered material furnished on request.

TH3CL200



Product Features

- Corrosion-resistant powder coating
- Cast iron housing
- Wide slot design
- Broad range of sealing options
- Wide inner ring for increased shaft stability
- Alignable & relubricatable
- See Features & Benefits for additional info.



Bearing Dimensions

Size Code	Shaft Diameter	Part Number	H Adjusting Screw Clearance	N Slot Spacing	S Slot Width	A	C	D	F	G	J	K	L	T	U	Y	W	Approx. Weight	
204	1/2	TH3CL2B08N* \blacksquare	3/4	3	0.531	2 ²⁷ / ₃₂	2 1/4	1 ¹¹ / ₃₂	1 7/8	1 1/4	3 ³¹ / ₃₂	1 1/16	3 5/8	5/8	0.84	2 ²¹ / ₃₂	1 ²¹ / ₆₄	2.40	
	3/4	TH3CL212N* \blacksquare																	1.10
	20.00	TH3CL2M20N* \blacksquare	19.05	76.200	13.490	72.20	57.20	34.04	47.60	31.80	100.80	27.00	92.10	15.90	21.34	67.50	33.78	1.10	
205	7/8	TH3CL214N* Δ	3/4	3	0.531	2 ²⁹ / ₃₂	2 1/4	1 3/8	1 ²⁷ / ₃₂	1 1/4	4 1/32	1 3/32	3 5/8	5/8	0.81	2 ²¹ / ₃₂	1 5/16	2.70	
	15/16	TH3CL215N* Δ																	1.20
	1	TH3CL216N* Δ																	1.20
	25.00	TH3CL2M25N* \blacksquare	19.05	76.200	13.490	73.80	57.20	34.80	46.80	31.80	102.40	27.80	92.10	15.90	20.57	67.50	33.27	1.20	
206	1	TH3CL2B16N* \blacksquare	7/8	3 1/2	0.531	3 ¹¹ / ₃₂	2 1/2	1 9/16	2 3/16	1 7/16	4 ¹⁵ / ₃₂	1 3/32	4 1/8	5/8	0.95	2 ²⁷ / ₃₂	1 ¹⁵ / ₃₂	3.20	
	1 1/8	TH3CL218N* \blacksquare																	1.45
	1 3/16	TH3CL219N* \blacksquare																	1.45
	1 1/4	TH3CL2E20N* \blacksquare																	1.45
	30.00	TH3CL2M30N* \blacksquare	22.23	88.900	13.490	84.90	63.50	39.62	55.60	36.50	113.50	27.80	104.80	15.90	24.13	72.20	37.34	1.45	
207	1 3/16	TH3CL2B19N* Δ	7/8	3 1/2	0.531	3 ¹¹ / ₁₆	2 3/4	1 3/4	2 5/16	1 7/16	4 ¹³ / ₁₆	1 3/16	4 1/8	5/8	1.09	2 ³¹ / ₃₂	1 ³⁷ / ₆₄	4.00	
	1 1/4	TH3CL220N* Δ																	1.80
	1 3/8	TH3CL222N* Δ																	1.80
	1 7/16	TH3CL223N* Δ																	1.80
	35.00	TH3CL2M35N* Δ	22.23	88.900	13.490	93.70	69.90	44.45	58.70	36.50	122.20	30.20	104.80	15.90	27.69	75.40	40.13	1.80	
208	1 7/16	TH3CL2B23N* \blacksquare	1 1/8	3.969	0.688	4 ³ / ₁₆	3 1/4	1 ¹⁵ / ₁₆	2 ²⁷ / ₃₂	1 ¹⁵ / ₁₆	5 ⁹ / ₁₆	1 ⁵ / ₁₆	4 3/4	3/4	1.22	3 ¹⁵ / ₃₂	1 ⁴³ / ₆₄	5.30	
	1 1/2	TH3CL224N* Δ																	2.40
	1 5/8	TH3CL2E26N* Δ																	2.40
	40.00	TH3CL2M40N* Δ	28.60	100.810	17.480	106.40	82.60	49.28	72.20	49.20	141.30	33.30	120.70	19.00	30.73	88.10	42.42	2.40	
209	1 1/2	TH3CL2B24N* \blacksquare	1 1/8	3.969	0.688	4 ³ / ₁₆	3 1/4	1 ⁶¹ / ₆₄	2 7/8	1 ¹⁵ / ₁₆	5 ⁹ / ₁₆	1 3/8	4 3/4	3/4	1.20	3 ¹⁵ / ₃₂	1 ¹¹ / ₁₆	5.30	
	1 5/8	TH3CL226N* Δ																	2.40
	1 11/16	TH3CL227N* Δ																	2.40
	1 3/4	TH3CL228N* Δ																	2.40
	45.00	TH3CL2M45N* Δ	28.60	100.810	17.480	106.40	82.60	49.53	73.00	49.20	141.30	34.90	120.70	19.00	30.48	88.10	42.67	2.40	
210	1 11/16	TH3CL2B27N* Δ	1 1/8	3.969	0.688	4 ⁹ / ₁₆	3 3/8	2 5/64	2 7/8	1 ¹⁵ / ₁₆	5 ¹⁵ / ₁₆	1 ⁴³ / ₆₄	4 3/4	3/4	1.33	3 ¹⁹ / ₃₂	1 ⁵¹ / ₆₄	6.60	
	1 3/4	TH3CL2B28N* Δ																	3.00
	1 7/8	TH3CL230N* Δ																	3.00
	1 15/16	TH3CL231N* Δ																	3.00
	2	TH3CL2E32N* Δ																	3.00
	50.00	TH3CL2M50N* Δ	28.60	100.810	17.480	115.90	85.70	52.58	73.00	49.20	150.80	42.50	120.70	19.00	33.53	91.30	45.72	3.00	
211	1 15/16	TH3CL2B31N* Δ	1 3/8	5.094	1.062	5 ⁷ / ₁₆	4	2 ¹⁵ / ₆₄	3 ¹⁹ / ₃₂	2 1/2	7 ⁷ / ₁₆	1 3/4	5 7/8	1 1/4	1.41	4 ²³ / ₃₂	1 ¹⁵ / ₁₆	13.50	
	2	TH3CL232N* Δ																	

Continued...

Continued...

Bearing Dimensions

Size Code	Shaft Diameter	Part Number	H Adjusting Screw Clearance	N Slot Spacing	S Slot Width	A	C	D	F	G	J	K	L	T	U	Y	W	Approx. Weight
211	2 3/16	TH3CL235N*Δ■	1 3/8	5.094	1.062	5 7/16	4	2 15/64	3 19/32	2 1/2	7 7/16	1 3/4	5 7/8	1 1/4	1.41	4 23/32	1 15/16	13.50
	2 1/4	TH3CL2E36N*Δ■																6.00
	55.00	TH3CL2M55N*Δ■																34.90
212	2 3/16	TH3CL2B35N*Δ■	1 3/8	5.094	1.062	5 7/16	4	3 1/16	3 19/32	2 1/2	7 7/16	2 1/16	5 7/8	1 1/4	2.06	4 23/32	2 13/32	12.90
	2 1/4	TH3CL236N*Δ■																5.80
	2 3/8	TH3CL238N*Δ■																5.80
	2 7/16	TH3CL239N*Δ■																5.80
	60.00	TH3CL2M60N*Δ■																34.90

Additional Notes

Please call 1-866-REXNORD for availability
 Lubrication fitting tap size, 1/8 in PT

* N lip seals standard

■ Available with H labyrinth seals

Δ Available with E3 triple lip seals

For the Selection Guide, Load Ratings and Speed Limits, see the Link-Belt 200 Series Ball Bearing Engineering section

Note: Dimensions subject to change. Certified dimensions of ordered material furnished on request.

TH3Y200

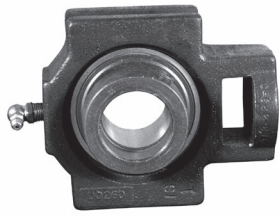
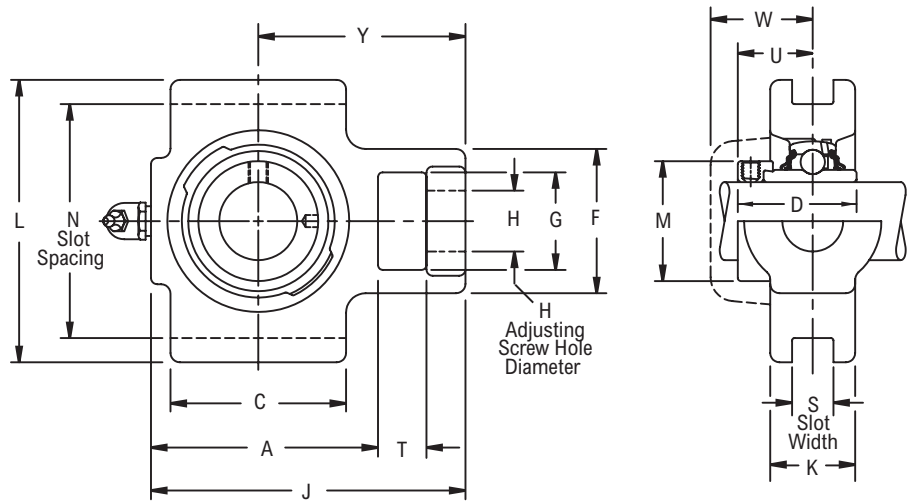


Photo Shows a Ball Bearing Take-up Unit

Product Features

- Corrosion-resistant powder coating
- Cast iron housing
- Wide slot design
- Broad range of sealing options
- Wide inner ring for increased shaft stability
- Eccentric cam locking device
- Alignable & relubricatable
- See Features & Benefits for additional info.



Bearing Dimensions

Size Code	Shaft Diameter	Part Number	H Adjusting Screw Clearance	N Slot Spacing	S Slot Width	A	C	D	F	G	J	K	L	T	U	W	Y	Approx. Weight
204	3/4	TH3Y212N* ■	3/4	3	0.531	2 27/32	2 1/4	1 23/32	1 7/8	1 1/4	3 31/32	1 1/16	3 5/8	5/8	1 3/64	1 5/16	2 21/32	2.40
	7/8	TH3Y214N* Δ																
205	15/16	TH3Y215N* ■	3/4	3	0.531	2 29/32	2 1/4	1 3/4	1 27/32	1 1/4	4 1/32	1 3/32	3 5/8	5/8	1 1/16	1 5/16	2 21/32	2.70
	1	TH3Y216N* Δ																
206	1 1/8	TH3Y218N* ■	7/8	3 1/2	0.531	3 11/32	2 1/2	1 29/32	2 3/16	1 7/16	4 15/32	1 3/32	4 1/8	5/8	1 3/16	1 29/64	2 27/32	3.20
	1 3/16	TH3Y219N* ■																
	1 1/4	TH3Y220N* ■																
207	1 1/4	TH3Y220N* Δ	7/8	3 1/2	0.531	3 11/16	2 3/4	2 1/64	2 5/16	1 7/16	4 13/16	1 3/16	4 1/8	5/8	1 9/32	1 5/8	2 31/32	4.00
	1 3/8	TH3Y222N* Δ																
	1 7/16	TH3Y223N* Δ																
208	1 1/2	TH3Y224N* Δ	1 1/8	3.969	0.688	4 3/16	3 1/4	2 7/32	2 27/32	1 15/16	5 9/16	1 5/16	4 3/4	3/4	1 3/8	1 41/64	3 15/32	5.30
	1 5/8	TH3Y226N* Δ																
209	1 11/16	TH3Y227N* Δ	1 1/8	3.969	0.688	4 3/16	3 1/4	2 7/32	2 7/8	1 15/16	5 9/16	1 3/8	4 3/4	3/4	1 3/8	1 3/4	3 15/32	5.30
	1 3/4	TH3Y228N* Δ																
210	1 15/16	TH3Y231N* Δ	1 1/8	3.969	0.688	4 9/16	3 3/8	2 15/32	2 7/8	1 15/16	5 15/16	1 49/64	4 3/4	3/4	1 1/2	1 25/32	3 19/32	6.60
	2	TH3Y2E32N* Δ																
211	2	TH3Y232N* Δ	1 3/8	5.094	1.062	5 7/16	4	2 13/16	3 19/32	2 1/2	7 7/16	1 3/4	5 7/8	1 1/4	1 23/32	2 1/64	4 23/32	13.50
	2 3/16	TH3Y235N* Δ																
212	2 1/4	TH3Y236N* Δ	1 3/8	5.094	1.062	5 7/16	4	3 1/16	3 19/32	2 1/2	7 7/16	2 1/16	5 7/8	1 1/4	1 27/32	2 7/64	4 23/32	12.90
	2 3/8	TH3Y238N* Δ																
	2 7/16	TH3Y239N* Δ																

Additional Notes

- Please call 1-866-REXNORD for availability
- Lubrication fitting tap size, 1/8 in PT
- * N lip seals standard
- Available with H labyrinth seals
- Δ** Available with E3 triple lip seals
- For the Selection Guide, Load Ratings and Speed Limits, see the Link-Belt 200 Series Ball Bearing Engineering section
- Note: Dimensions subject to change. Certified dimensions of ordered material furnished on request.

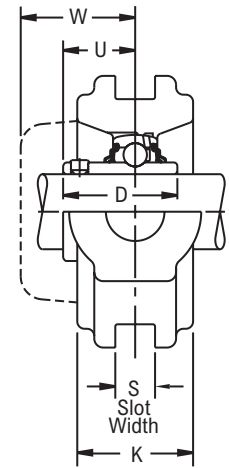
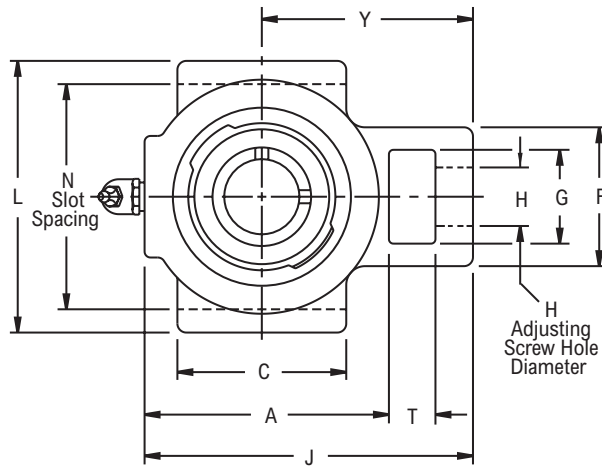
TH3U200



Photo Shows a Ball Bearing Take-up Unit

Product Features

- Corrosion-resistant powder coating
- Cast iron housing
- Wide slot design
- Broad range of sealing options
- Wide inner ring for increased shaft stability
- Spring locking setscrew mount
- Alignable & relubricatable
- See Features & Benefits for additional info.



Bearing Dimensions

Size Code	Shaft Diameter	Part Number	H Adjusting Screw Clearance	N Slot Spacing	S Slot Width	A	C	D	F	G	J	K	L	T	U	W	Y	Approx. Weight
204	3/4	TH3U212N*■	3/4	3	0.531	2 ²⁷ / ₃₂	2 1/4	1 9/32	1 7/8	1 1/4	3 ³¹ / ₃₂	1 1/16	3 5/8	5/8	3/4	1 5/16	2 21/32	2.40
	7/8	TH3U214N*Δ																
205	15/16	TH3U215N*Δ	3/4	3	0.531	2 ²⁹ / ₃₂	2 1/4	1 23/64	1 27/32	1 1/4	4 1/32	1 3/32	3 5/8	5/8	51/64	1 5/16	2 21/32	2.70
	1	TH3U216N*Δ																
206	1 1/8	TH3U218N*■	7/8	3 1/2	0.531	3 11/32	2 1/2	1 9/16	2 3/16	1 7/16	4 15/32	1 3/32	4 1/8	5/8	61/64	1 29/64	2 27/32	3.20
	1 3/16	TH3U219N*■																
	1 1/4	TH3U220N*■																
207	1 1/4	TH3U220N*Δ	7/8	3 1/2	0.531	3 11/16	2 3/4	1 49/64	2 5/16	1 7/16	4 13/16	1 3/16	4 1/8	5/8	1 7/64	1 35/64	2 31/32	4.00
	1 3/8	TH3U222N*Δ														1 5/8		
	1 7/16	TH3U223N*Δ														1 35/64		
208	1 1/2	TH3U224N*Δ	1 1/8	3.969	0.688	4 3/16	3 1/4	1 29/32	2 27/32	1 15/16	5 9/16	1 5/16	4 3/4	3/4	1 11/64	1 41/64	3 15/32	5.30
	1 5/8	TH3U226N*Δ																
209	1 11/16	TH3U227N*Δ	1 1/8	3.969	0.688	4 3/16	3 1/4	2 1/32	2 7/8	1 15/16	5 9/16	1 3/8	4 3/4	3/4	1 15/64	1 21/32	3 15/32	5.30
	1 3/4	TH3U228N*Δ																
210	1 15/16	TH3U231N*Δ	1 1/8	3.969	0.688	4 9/16	3 3/8	2 3/32	2 7/8	1 15/16	5 15/16	1 43/64	4 3/4	3/4	1 17/64	1 25/32	3 19/32	6.60
	2	TH3U232N*Δ																
211	2	TH3U232N*Δ	1 3/8	5.094	1.062	5 7/16	4	2 1/4	3 19/32	2 1/2	7 7/16	1 3/4	5 7/8	1 1/4	1 13/32	2 1/64	4 23/32	13.50
	2 3/16	TH3U235N*Δ																
212	2 1/4	TH3U236N*Δ	1 3/8	5.094	1.062	5 7/16	4	2 1/2	3 19/32	2 1/2	7 7/16	2 1/16	5 7/8	1 1/4	1 9/16	2 7/64	4 23/32	12.90
	2 3/8	TH3U238N*Δ																
	2 7/16	TH3U239N*Δ																

Additional Notes

- Please call 1-866-REXNORD for availability
- Lubrication fitting tap size, 1/8 in PT
- * N lip seals standard
- Available with H labyrinth seals
- Δ Available with E3 triple lip seals
- For the Selection Guide, Load Ratings and Speed Limits, see the Link-Belt 200 Series Ball Bearing Engineering section
- Note: Dimensions subject to change. Certified dimensions of ordered material furnished on request.

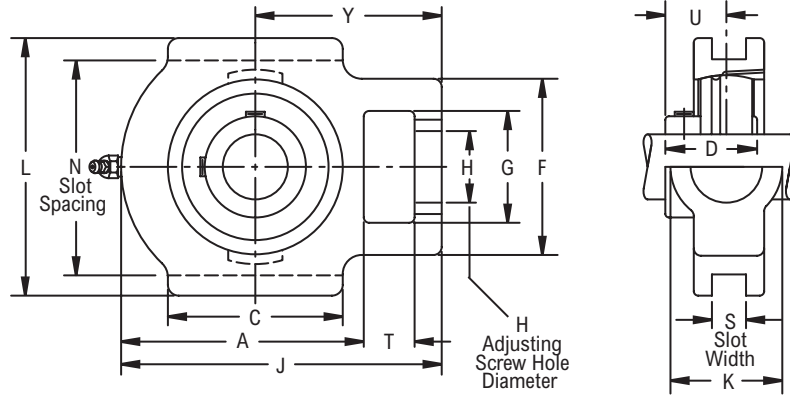
TH3S200



Photo Shows a Ball Bearing Take-up Unit

Product Features

- Corrosion-resistant powder coating
- Cast iron housing
- Wide slot design
- Broad range of sealing options
- Spring locking setscrew mount
- Alignable & relubricatable
- See Features & Benefits for additional info.



Bearing Dimensions

Size Code	Shaft Diameter	Part Number	H Adjusting Screw Hole Diameter	N Slot Spacing	S Slot Width	A	C	D	F	G	J	K	L	T	U	Y	Approx. Weight
204	3/4	TH3S212E	3/4	3.000	0.531	2 7/8	2	1 1/8	2	1 1/4	3 7/8	1 3/8	3 1/2	5/8	3/4	2 7/16	1.86
	20.00	TH3S2M20E	19.00	76.200	13.490	73.02	50.80	28.58	50.80	31.80	98.40	34.90	88.90	15.90	19.00	61.90	0.80
205	7/8	TH3S214E	3/4	3.000	0.531	2 7/8	2	1 11/64	2	1 1/4	3 7/8	1 3/8	3 1/2	5/8	51/64	2 7/16	1.85
	15/16	TH3S215E															1.82
	1	TH3S26E															1.79
	25.00	TH3S2M25E															19.00
206	1 1/8	TH3S218E	7/8	3.500	0.531	3 3/8	2 1/4	1 11/32	2 3/16	1 7/16	4 1/2	1 9/16	4 1/8	11/16	61/64	2 3/4	2.75
	1 3/16	TH3S219E															2.72
	1 1/4	TH3S2E20E															2.69
	30.00	TH3S2M30E															22.20
207	1 1/4	TH3S220E	7/8	3.500	0.531	4	2 1/2	1 9/16	2 3/8	1 7/16	5	1 9/16	4 1/8	11/16	1 7/64	3 1/16	3.19
	1 3/8	TH3S222E															3.09
	1 7/16	TH3S223E															3.03
	35.00	TH3S2M35E															22.20
208	1 1/2	TH3S224E	1 1/8	3.969	0.688	4 3/16	3 1/4	1 21/32	3 1/4	1 15/16	5 5/8	2 1/16	4 3/4	7/8	1 11/64	3 1/2	5.24
	1 5/8	TH3S2E26E															5.10
	40.00	TH3S2M40E															28.60
209	1 5/8	TH3S226E	1 1/8	3.969	0.688	4 3/16	3 1/4	1 49/64	3 1/4	1 15/16	5 5/8	2 1/16	4 3/4	7/8	1 15/64	3 7/16	4.84
	1 11/16	TH3S227E															4.77
	1 3/4	TH3S228E															4.70
210	1 7/8	TH3S230E	1 1/8	3.969	0.688	4 7/16	3 1/4	1 13/16	3 1/4	1 15/16	5 7/8	2 1/16	4 3/4	7/8	1 17/64	3 9/16	4.96
	1 15/16	TH3S231E															4.87
	2	TH3S2E32E															4.78
	2	TH3S232E															8.78
211	2 3/16	TH3S235E	1 3/8	5.094	1.062	4 7/8	3 3/4	1 13/16	4	2 1/2	6 13/16	2 1/2	5 7/8	1 3/16	1 9/32	4 3/16	8.58
	2 1/4	TH3S2E36E															8.38
	2 1/4	TH3S236E															9.67
212	2 3/8	TH3S238E	1 3/8	5.094	1.062	5 5/8	4	1 57/64	4	2 1/2	7 9/16	2 1/2	5 7/8	1 3/16	1 5/16	4 11/16	9.43
	2 7/16	TH3S239E															9.31
	2 15/16	TH3S247E															14.24

Additional Notes

- Please call 1-866-REXNORD for availability
- Lubrication fitting tap size, 1/8 in PT
- Lip seals standard
- ◆ Available with E1 viton seals for all size codes
- Available with free running style seals, add suffix ● FF, □ HFF or Δ MHFF for all size codes
- For the Selection Guide, Load Ratings and Speed Limits, see the Link-Belt Ball Bearing Engineering section
- Note: Dimensions subject to change. Certified dimensions of ordered material furnished on request.

TAS3U200

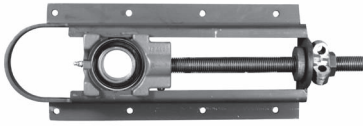
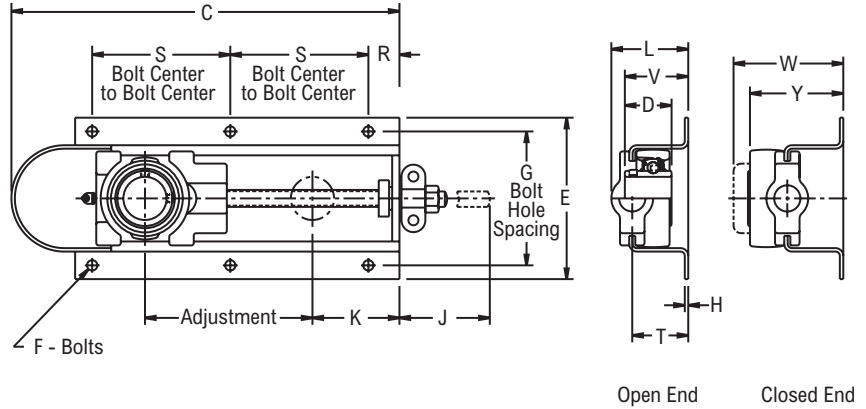


Photo Shows a Formed Steel Conveyor Take-up Frame with Ball Bearing Take-up Unit

Product Features

- Center pull side mounted steel frame
- Corrosion-resistant powder coating
- Cast iron housing
- Broad range of sealing options
- Wide inner ring for increased shaft stability
- Spring locking setscrew mount
- Alignable & relubricatable
- TAS3U200 take-up unit
- See Features & Benefits for additional info.



Bearing Dimensions

Size Code	Shaft Diameter	Adjust. Length	Part Number	G Bolt Hole Spacing	S Bolt Center to Bolt Center	C	D	E	F	H	J	K	L	R	T	V	W	Y	Approx. Weight	
205	¹⁵ / ₁₆	6	TAS3U215N6*Δ	4 1/8	4 1/2	13 1/4	1 23/64	4 7/8	5/16	1/8	7 3/16	3 3/8	2 5/16	1 1/2	1 5/8	1 51/64	3 37/64	2 27/32	7.50	
	1		TAS3U216N6*Δ																	
	25.00	152	TAS3U2M25N6*Δ	104.80	114.30	336.50	34.53	123.80	8.00	3.20	198.40	85.70	58.70	38.10	41.30	45.60	90.90	72.20	3.40	
206	1 1/8	6	TAS3U218N6*Δ	5 1/4	4 7/8	15	1 9/16	6 1/4	3/8	3/16	8 3/16	3 11/16	2 7/8	1 5/8	2 1/8	2 11/32	4 19/64	3 1/2	11.00	
		12	TAS3U218N12*Δ																	15.00
	1 3/16	6	TAS3U219N6*Δ	5 3/8	21	15	14 3/16	8 3/16	14 3/16	208.00	4.80	360.40	93.70	73.00	41.30	54.00	59.50	109.10	88.90	15.00
		12	TAS3U219N12*Δ																	
		30.00	152	TAS3U2M30N6*Δ	133.40	123.80	381.00	39.69	158.80	10.00	4.80	208.00	93.70	73.00	41.30	54.00	59.50	109.10	88.90	4.95
			305	TAS3U2M30N12*Δ		136.50	533.40					360.40								6.75
207	1 1/4	6	TAS3U220N6*Δ	5 1/4	4 7/8	15	1 49/64	6 1/4	3/8	3/16	8 5/16	3 3/4	2 7/8	1 5/8	2 1/8	2 31/64	4 7/16	3 35/64	13.50	
		12	TAS3U220N12*Δ																	15.20
	1 7/16	6	TAS3U223N6*Δ	5 3/8	21	15	14 5/16	8 5/16	14 5/16	211.10	4.80	363.50	95.20	73.00	41.30	54.00	63.10	112.70	90.10	13.00
		12	TAS3U223N12*Δ																	
		35.00	152	TAS3U2M35N6*Δ	133.40	123.80	381.00	44.85	158.80	10.00	4.80	211.10	95.20	73.00	41.30	54.00	63.10	112.70	90.10	6.10
			305	TAS3U2M35N12*Δ		136.50	533.40					363.50								6.80
208	1 1/2	9	TAS3U224N9*Δ	6 5/8	5	19 3/4	1 29/32	7 7/8	3/8	1/4	11 1/4	4 1/2	3 5/8	1 5/8	2 3/4	3 1/16	5 9/32	4 3/8	24.00	
		18	TAS3U224N18*Δ																	31.00
		40.00	229	TAS3U2M40N9*Δ	168.30	127.00	501.60	48.42	200.00	10.00	6.40	285.80	114.30	92.10	41.30	69.80	77.80	134.10	111.10	10.80
			457	TAS3U2M40N18*Δ		152.40	730.20					514.40								13.95
209	1 11/16	9	TAS3U227N9*Δ	6 5/8	5	19 3/4	2 1/32	7 7/8	3/8	1/4	11 3/16	4 5/8	3 5/8	1 5/8	2 3/4	3 1/16	5 7/16	4 1/2	25.50	
		18	TAS3U227N18*Δ																	32.00
	1 3/4	9	TAS3U228N9*Δ	6 5/8	5	19 3/4	20 3/16	7 7/8	3/8	1/4	11 3/16	4 5/8	3 5/8	1 5/8	2 3/4	3 1/16	5 7/16	4 1/2	25.00	
		18	TAS3U228N18*Δ																	31.50
		45.00	229	TAS3U2M45N9*Δ	168.30	127.00	501.60	41.59	200.00	10.00	6.40	284.20	117.50	92.10	41.30	69.80	77.80	138.10	114.30	11.25
			457	TAS3U2M45N18*Δ		152.40	730.20					512.80								14.20
210	1 15/16	9	TAS3U231N9*Δ	6 5/8	5	19 3/4	2 3/32	7 7/8	3/8	1/4	11 1/4	4 5/8	3 5/8	1 5/8	2 3/4	3 1/16	5 19/32	4 17/32	23.00	
		18	TAS3U231N18*Δ																	29.80
		50.00	229	TAS3U2M50N9*Δ	168.30	127.00	501.60	53.18	200.00	10.00	6.40	285.80	117.50	92.10	41.30	69.80	77.80	142.10	115.10	10.35
			457	TAS3U2M50N18*Δ		152.40	730.20					514.40								13.40
211	2	9	TAS3U232N9*Δ	7 1/8	5	21 5/8	2 1/4	8 1/4	1/2	1/4	11 3/16	5 1/2	4 1/4	2 1/2	3 1/4	3 11/16	6 5/16	5 1/16	32.30	
		18	TAS3U232N18*Δ																	41.20
	2 3/16	9	TAS3U235N9*Δ	7 1/8	5	21 5/8	20 3/16	8 1/4	1/2	1/4	11 3/16	5 1/2	4 1/4	2 1/2	3 1/4	3 11/16	6 5/16	5 1/16	29.90	
		18	TAS3U235N18*Δ																	39.00
		55.00	229	TAS3U2M55N9*Δ	181.00	127.00	549.30	57.15	209.60	12.00	6.40	284.20	139.70	108.00	63.50	82.60	93.70	160.30	128.60	13.45
			457	TAS3U2M55N18*Δ		152.40	777.90					512.80								17.55

Additional Notes

- Please call 1-866-REXNORD for availability
- Lubrication fitting tap size, 1/8 in PT
- Closed end take-ups available, add suffix C
- On closed end take-up, bearing assembly is reversed
- Frames with 6 in (152.40 mm) adjustment have six holes
- Frames with 9 in (228.60 mm) or 12 in (304.80 mm) adjustment have eight holes
- Frames with 18 in (457.20 mm) adjustment have ten holes
- * N lip seals standard

- Available with H labyrinth seals
- Δ Available with E3 triple lip seals
- For the Selection Guide, Load Ratings and Speed Limits, see the Link-Belt 200 Series Ball Bearing Engineering section
- Note: Dimensions subject to change. Certified dimensions of ordered material furnished on request.

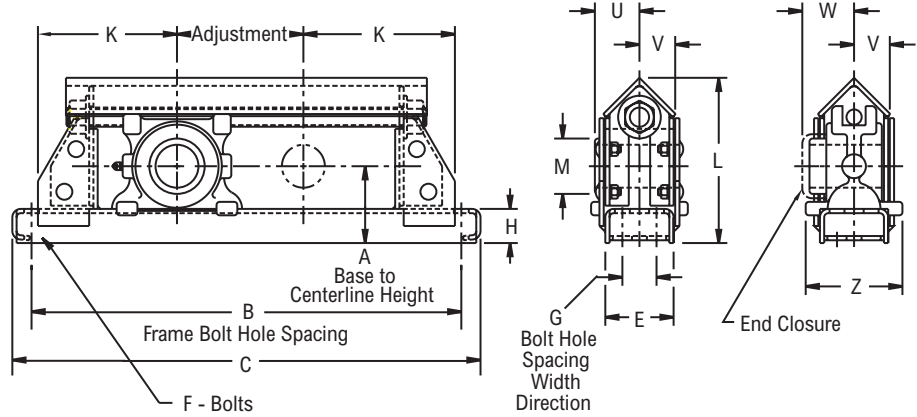
TDS3U200



Photo Shows a Hinged Top, Welded Steel Conveyor Take-up Frame with Ball Bearing Take-up Unit

Product Features

- Protected screw type steel frame
- Corrosion-resistant powder coating
- Cast iron housing
- Broad range of sealing options
- Wide inner ring for increased shaft stability
- Spring locking setscrew mount
- Alignable & relubricatable
- TDS3U200 take-up unit
- See Features & Benefits for additional info.



Bearing Dimensions

Size Code	Shaft Diameter	Adjust. Length	Part Number	A Base to Centerline Height	B Frame Bolt Hole Spacing	G Bolt Hole Spacing Width Direction	C	E	F	H	K	L	M	U	V	W	Z	Approx. Weight
210	1 15/16	12	TDS3U231N12*Δ	3 15/16	26 1/2	-	28 1/2	3	5/8	1 3/4	7 1/4	8 1/4	-	1 17/64	55/64	1 15/16	4 1/8	41.00
		18	TDS3U231N18*Δ		32 1/2		34 1/2											47.00
		24	TDS3U231N24*Δ		38 1/2		40 1/2											52.00
	50.00	305	TDS3U2M50N12*Δ	100.00	673.10	-	723.90	76.20	16.00	44.40	184.20	209.60	-	32.10	21.80	49.20	104.80	18.45
		457	TDS3U2M50N18*Δ	825.50	876.30	76.20	16.00	44.40	184.20	209.60	-	32.10	21.80	49.20	104.80	21.15		
		610	TDS3U2M50N24*Δ	977.90	1,028.70	76.20	16.00	44.40	184.20	209.60	-	32.10	21.80	49.20	104.80	23.40		
211	2 3/16	12	TDS3U235N12*Δ	4 3/16	27 1/2	-	29 1/2	3	5/8	1 3/4	7 3/4	8 11/16	-	1 13/32	55/64	2 3/32	4 1/8	45.00
		18	TDS3U235N18*Δ		33 1/2		35 1/2											51.00
		24	TDS3U235N24*Δ		39 1/2		41 1/2											56.00
	55.00	305	TDS3U2M55N12*Δ	106.40	698.50	-	749.30	76.20	16.00	44.40	196.80	220.70	-	35.70	21.80	53.30	104.80	20.25
		457	TDS3U2M55N18*Δ	850.90	901.70	76.20	16.00	44.40	196.80	220.70	-	35.70	21.80	53.30	104.80	22.95		
		610	TDS3U2M55N24*Δ	1,003.30	1,054.10	76.20	16.00	44.40	196.80	220.70	-	35.70	21.80	53.30	104.80	25.20		
212	2 7/16	12	TDS3U239N12*Δ	4 3/8	28 1/2	-	30 1/2	3	3/4	1 3/4	8 1/4	9 1/8	-	1 9/16	31/32	2 5/32	4 1/8	52.00
		18	TDS3U239N18*Δ		34 1/2		36 1/2											58.00
		24	TDS3U239N24*Δ		40 1/2		42 1/2											63.00
	60.00	30	TDS3U239N30*Δ	46 1/2	48 1/2	68.00												
		305	TDS3U2M60N12*Δ	111.10	725.90	-	774.70	76.20	20.00	44.40	209.60	231.80	-	39.70	24.60	54.80	104.80	23.40
		457	TDS3U2M60N18*Δ	876.30	927.10	76.20	20.00	44.40	209.60	231.80	-	39.70	24.60	54.80	104.80	26.10		
610	TDS3U2M60N24*Δ	1,028.70	1,079.50	76.20	20.00	44.40	209.60	231.80	-	39.70	24.60	54.80	104.80	28.35				
762	TDS3U2M60N30*Δ	1,181.10	1,231.90	76.20	20.00	44.40	209.60	231.80	-	39.70	24.60	54.80	104.80	30.60				
215	2 15/16	12	TDSU247N12*Δ	5 1/8	30 1/2	2	32 1/2	4	5/8	2	9 1/4	10 5/8	4 5/8	1 13/16	1 5/32	2 13/64	5 1/8	76.00
		18	TDSU247N18*Δ		36 1/2		38 1/2											85.00
		24	TDSU247N24*Δ		42 1/2		44 1/2											93.00
	75.00	30	TDSU247N30*Δ	48 1/2	50 1/2	101.00												
		305	TDSU2M75N12 *Δ	130.20	774.70	50.80	825.50	101.60	16.00	50.80	235.00	269.90	117.50	46.00	29.40	56.00	130.20	34.20
		457	TDSU2M75N18 *Δ	927.10	977.90	101.60	16.00	50.80	235.00	269.90	117.50	46.00	29.40	56.00	130.20	38.25		
610	TDSU2M75N24 *Δ	1,079.50	1,130.30	101.60	16.00	50.80	235.00	269.90	117.50	46.00	29.40	56.00	130.20	41.85				
762	TDSU2M75N30 *Δ	1,231.90	1,282.70	101.60	16.00	50.80	235.00	269.90	117.50	46.00	29.40	56.00	130.20	45.45				
217	3 7/16	12	TDSU255N12*Δ	5 5/8	32	2	34 1/2	4	3/4	2	10	11 13/16	5 3/16	2 1/8	1 7/16	2 1/2	5 5/8	99.00
		18	TDSU255N18*Δ		38		40 1/4											108.00
		24	TDSU255N24*Δ		44		46 1/4											116.00
	85.00	30	TDSU255N30*Δ	50	52 1/4	124.00												
		305	TDSU2M85N12 *Δ	142.90	812.80	50.80	870.00	101.60	20.00	50.80	254.00	300.00	131.80	54.00	36.50	63.50	142.90	44.55
		457	TDSU2M85N18 *Δ	965.20	1,022.40	101.60	20.00	50.80	254.00	300.00	131.80	54.00	36.50	63.50	142.90	48.60		

Continued...

Continued...

Bearing Dimensions

Size Code	Shaft Diameter	Adjust. Length	Part Number	A Base to Centerline Height	B Frame Bolt Hole Spacing	G Bolt Hole Spacing Width Direction	C	E	F	H	K	L	M	U	V	W	Z	Approx. Weight
217	85.00	610	TDSU2M85N24 *Δ	142.90	1,117.60	50.80	1,174.80	101.60	20.00	50.80	254.00	300.00	131.80	54.00	36.50	63.50	142.90	52.20
		762	TDSU2M85N30 *Δ		1,270.00		1,327.20											55.80
220	3 15/16	12	TDSU263N12*	7	36	2 1/2	38 1/2	5	3/4	2 1/4	12	14 11/16	5 15/16	2 37/64	1 45/64	3 1/64	6 7/8	173.00
		18	TDSU263N18*		42		44 1/2											185.00
		24	TDSU263N24*		48		50 1/2											195.00
		30	TDSU263N30*		54		56 1/2											205.00
		305	TDSU2M100N12*		914.40		977.90											77.85
	100.00	457	TDSU2M100N18*	177.80	1,066.80	63.50	1,130.30	127.00	20.00	57.20	304.80	373.10	150.80	65.50	43.20	76.60	174.60	83.25
		610	TDSU2M100N24*		1,219.20		1,282.70											87.75
		762	TDSU2M100N30*		1,371.60		1,435.10											92.25

Additional Notes

Please call 1-866-REXNORD for availability
 Lubrication fitting tap size, 1/8 in PT
 Closed end take-ups available, add suffix C
 Size code 220 has hinged top construction
 Frames with 18 in (457.20 mm) adjustment or more have center supporting pad welded to bottom of frame
 * N lip seals standard

■ Available with H labyrinth seals
 Δ Available with E3 triple lip seals
 For the Selection Guide, Load Ratings and Speed Limits, see the Link-Belt 200 Series Ball Bearing Engineering section
 Note: Dimensions subject to change. Certified dimensions of ordered material furnished on request.

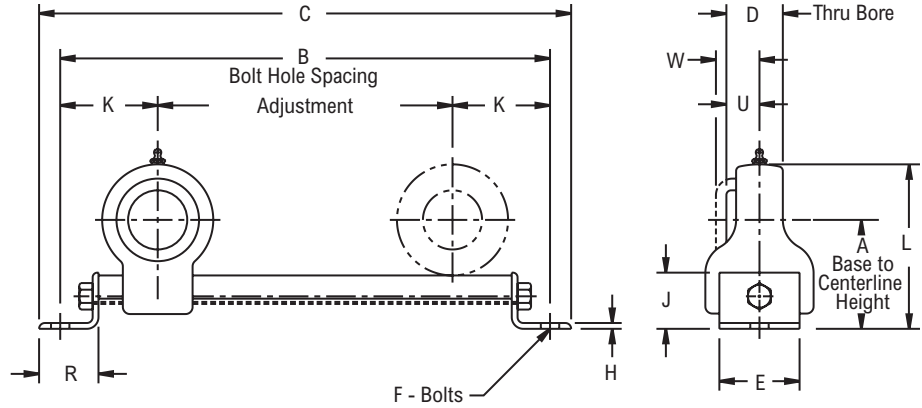
NT3U200



Photo Shows a Welded Channel Conveyor Take-up Frame with Ball Bearing Take-up Unit

Product Features

- Protected screw welded channel frame
- Corrosion-resistant powder coating
- Cast iron housing
- Broad range of sealing options
- Wide inner ring for increased shaft stability
- Spring locking setscrew mount
- Alignable & relubricatable
- See Features & Benefits for additional info.



Bearing Dimensions

Size Code	Shaft Diameter	Adjust. Length	Part Number	A Base to Centerline Height	B Frame Bolt Hole Spacing	C	D	E	F	H	J	K	L	R	U	W	Approx. Weight
205	¹⁵ / ₁₆	6	NT3U215N6*	2 ³ / ₄	10 ⁷ / ₈	12 ¹ / ₄	1 ²³ / ₆₄	1 ³ / ₄	¹ / ₂	³ / ₁₆	1 ¹ / ₂	2 ⁷ / ₁₆	4 ³ / ₁₆	2	⁵ / ₆₄	1 ⁹ / ₃₂	4.50
	1		NT3U216N6*														69.80
206	¹ / ₁₆	6	NT3U219N6*	3	10 ⁷ / ₈	12 ¹ / ₄	1 ⁹ / ₁₆	1 ³ / ₄	¹ / ₂	³ / ₁₆	1 ¹ / ₂	2 ⁷ / ₁₆	4 ¹¹ / ₁₆	2	⁶ / ₆₄	1 ¹⁵ / ₃₂	5.00
	30.00		NT3U2M30N6*														76.20
207	¹ / ₁₆	9	NT3U223N9*	3 ¹¹ / ₁₆	14 ¹ / ₂	16 ¹ / ₂	1 ⁴⁹ / ₆₄	2 ¹ / ₄	¹ / ₂	¹ / ₄	2	2 ³ / ₄	5 ⁹ / ₁₆	2 ¹ / ₂	1 ⁷ / ₆₄	1 ⁹ / ₁₆	9.50
		12	NT3U223N12*		17 ¹ / ₂	19 ¹ / ₂											44.85
	35.00	229	NT3U2M35N9*	93.70	368.30	419.10	44.85	57.20	12.00	6.40	50.80	69.80	141.30	63.50	28.20	39.70	4.30
		305	NT3U2M35N12*		444.50	495.30											4.50
210	¹ / ₁₆	9	NT3U231N9*	4 ²¹ / ₃₂	16	18 ¹ / ₂	2 ³ / ₃₂	3 ¹ / ₄	⁵ / ₈	⁵ / ₁₆	2 ¹ / ₂	3 ¹ / ₂	6 ²⁹ / ₃₂	3	1 ¹⁷ / ₆₄	1 ²⁵ / ₃₂	18.00
		12	NT3U231N12*		19	21 ¹ / ₂											8.10
		18	NT3U231N18*		25	27 ¹ / ₂											21.00
	50.00	229	NT3U2M50N9*	118.30	406.40	469.90	53.18	82.60	16.00	7.90	63.50	88.90	175.40	76.20	32.10	45.20	8.10
		305	NT3U2M50N12*		482.60	546.10											8.55
		457	NT3U2M50N18*		635.00	698.50											9.50

Additional Notes

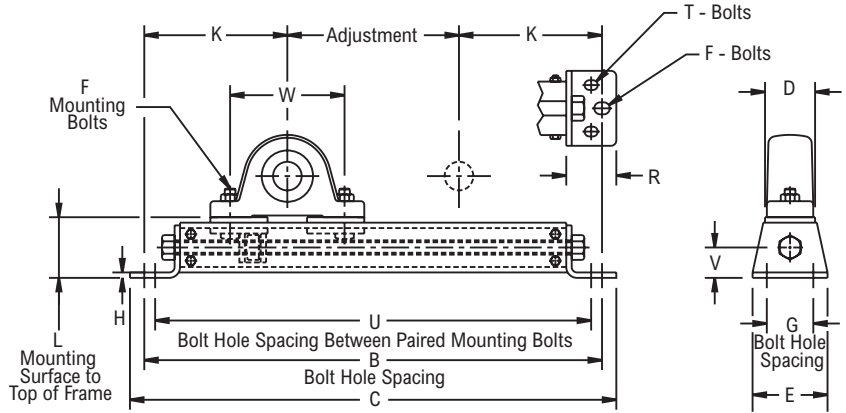
- Please call 1-866-REXNORD for availability
- Lubrication fitting tap size, 1/8 in PT
- * N lip seals standard
- For the Selection Guide, Load Ratings and Speed Limits, see the Link-Belt 200 Series Ball Bearing Engineering section
- Note: Dimensions subject to change. Certified dimensions of ordered material furnished on request.



Photo Shows a Light Duty Conveyor Take-up Frame

Product Features

- Bolted steel frames
- 2 or 4-bolt frame mounting
- Bolt hole centers adjustable
- Pillow blocks not included
- See Features & Benefits for additional info.



Bearing Dimensions

Size Code	Adjust. Length	Part Number	Bolt Hole Spacing			L Mounting Surface to Top of Frame	C	D	E	F	H	K	R	T	V	W min	W max	Approx. Weight	
			B Frame	G Width Direction	U Between Pairs														
205	6	LC16	16	1 5/8	15 1/4	2 1/8	17	1 3/4	2 5/8	3/8	3/16	5	1 3/4	5/16	1 1/16	3	5 15/16	5.25	
	9	LC19	19		18 1/4													20	6.30
	12	LC112	22		21 1/4													23	6.60
210	6	LC26	19 1/8	2 1/8	18 1/8	2 11/16	20 1/4	2 3/8	3 1/8	1/2	1/4	6 9/16	2 3/16	3/8	1 11/32	3 3/4	7 1/4	10.00	
	9	LC29	22 1/8		21 1/8													23 1/4	10.20
	12	LC212	25 1/8		24 1/8													26 1/4	11.50
	18	LC218	31 1/8		30 1/8													32 1/4	13.80
211/212	9	LC39	25 5/16	2 3/4	24 1/16	3 5/16	26 9/16	3	4	5/8	5/16	8 5/32	2 3/4	1/2	1 5/8	4 1/4	9	20.40	
	12	LC312	28 5/16		27 1/16													29 9/16	22.25
	18	LC318	34 5/16		33 1/16													35 9/16	26.50
	24	LC324	40 5/16		39 1/16													41 9/16	33.00

Additional Notes

Please call 1-866-REXNORD for availability
 For pillow block dimensions, see Pillow Block Ball Bearing section
 Note: Dimensions subject to change. Certified dimensions of ordered material furnished on request.

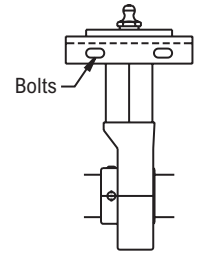
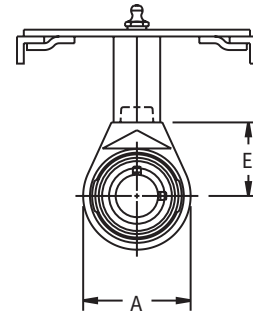
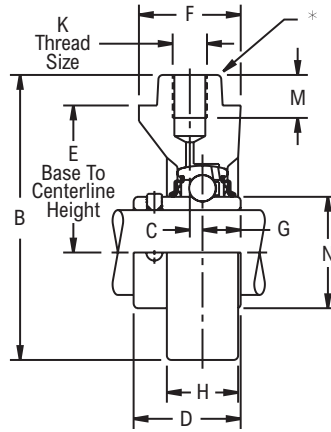
HM3U200



Photo Shows a Screw Conveyor Hanger Ball Bearing Unit

Product Features

- Corrosion-resistant powder coating
- High test iron housing
- Broad range of sealing options
- Wide inner ring for increased shaft stability
- Spring locking setscrew mount
- Alignable & relubricatable
- See Features & Benefits for additional info.



Typical Installation

Bearing Dimensions

Size Code	Shaft Diameter	Part Number	E Base to Centerline Height	K Thread Size	A	B	C	D	F	G	H	M	N	Approx. Weight
208	1 1/2	HM3U224N*Δ	2 1/2	3/4-10 NC	3 7/8	5.19	0.218	1 29/32	1 3/4	0.7340	0.97	1.00	2.083	5.00
210	2	HM3U2E32N*Δ	2 1/2	3/4-10 NC	4 3/8	5.44	0.170	2 3/32	1 3/4	0.8280	0.91	1.00	2.475	6.30
212	2 7/16	HM3U239N*Δ	3 5/8	7/8-9 NC	5 1/4	7.00	0.310	2 1/2	2 1/2	0.9380	1.75	1.06	3.012	11.30
215	3	HM3U2E48N*Δ	3 5/8	7/8-9 NC	6 1/8	7.44	0.375	2 7/8	2 1/2	1.0620	2.00	1.06	3.624	12.90
217	3 7/16	HM3U255N*Δ	4 1/2	1 1/8-12 NF	7 1/2	9.25	0.344	3 9/16	3 9/16	1.4380	2.56	1.88	4.158	24.80

Additional Notes

- Please call 1-866-REXNORD for availability
- Size codes 208 & 210 to fit 1 1/4 in square tubing
- Size codes 212 & 215 to fit 1 3/4 in square tubing
- Size code 217 to fit 2 1/2 in square tubing
- * N lip seals standard
- Available with H labyrinth seals
- Δ Available with E3 triple lip seals

For the Selection Guide, Load Ratings and Speed Limits, see the Link-Belt 200 Series Ball Bearing Engineering section
 Note: Dimensions subject to change. Certified dimensions of ordered material furnished on request.

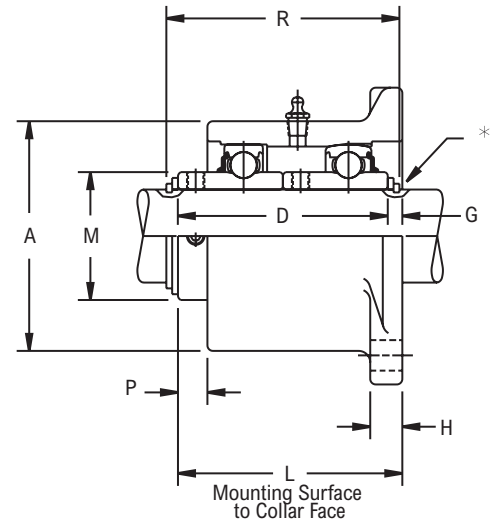
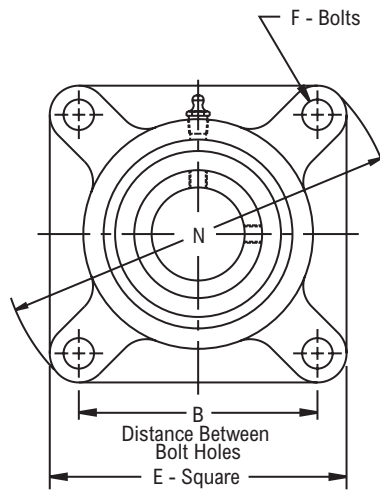
FF200



Photo Shows a 4-Bolt Ball Bearing Screw Conveyor Trough End Flanged Unit

Product Features

- Corrosion-resistant powder coating
- Cast iron housing
- 2 ball bearing inserts in housing
- Spring locking setscrew mount
- Relubricatable
- See Features & Benefits for additional info.



Bearing Dimensions

Size Code	Shaft Diameter	Part Number	B Distance Between Bolt Holes	L Mounting Surface to Collar Face	A	D	E	F	G	H	M	N	P	R	Approx. Weight	
208	1 1/2	FF224N*	4	4 1/16	4	3 13/16	5 1/8	1/2	1/4	9/16	-	6 25/32	1/2	4 7/32	10.00	
211	2	FF232N*	5 1/8	4 13/16	4 15/16	4 1/2	6 3/8	5/8	5/16	11/16	-	8 1/2	5/8	5 1/32	17.40	
		2 3/16														FF235N*
212	2 7/16	FF239N*	5 5/8	5 5/16	5 3/8	5	6 7/8	5/8	5/16	11/16	-	9 7/32	19/32	5 17/32	20.80	
215	2 3/4	FF244N*	6	6 1/16	6 3/8	5 3/4	7 3/4	3/4	5/16	3/4	4 5/8	10 1/4	11/16	6 9/32	31.10	
		2 15/16														FF247N*
		3														FF2E48N*
217	3 7/16	FF255N*	6 3/4	7 5/8	7	7 1/8	8 9/16	3/4	1/2	1	5 3/16	11 3/8	3/4	7 23/32	50.20	

Additional Notes

- Please call 1-866-REXNORD for availability
- Lubrication fitting tap size: for size codes 212 and below, 1/4 in PT; for all other size codes, 3/8 in PT
- Support thrust load (preferably in shear) with heavy duty snap ring and square face washer
- Includes two bearings with seals and inner ring setscrews or collar with setscrews
- * N lip seals standard

For the Selection Guide, Load Ratings and Speed Limits, see the Link-Belt 200 Series Ball Bearing Engineering section
 Note: Dimensions subject to change. Certified dimensions of ordered material furnished on request.

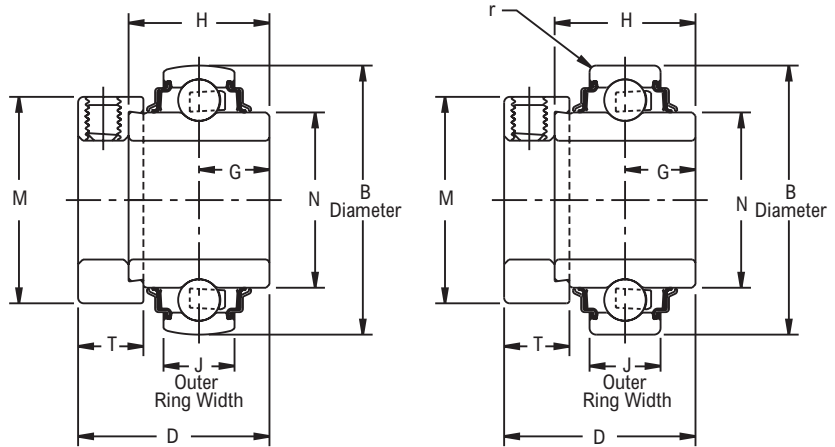
Y200, YB200



Photo Shows an Unmounted Ball Bearing Unit

Product Features

- Broad range of sealing options
- Wide inner ring for increased shaft stability
- Eccentric cam locking device
- Sealed & non-relubricatable
- Spherical or Cylindrical O.D.
- See Features & Benefits for additional info.



Bearing Dimensions

Size Code	Shaft Diameter	Cylindrical		Spherical		B O.D.	D	G	H	M	N	r	T	Approx. Weight
		Part Number	J Outer Ring Width	Part Number	J Outer Ring Width									
203	1/2	YB2B08NL*■	0.4724	Y2B08NL*■	0.5118	1.5748	1 15/32	0.5469	1.0938	1 1/8	0.941	0.024	17/32	0.30
	5/8	YB210NL*■		Y210NL*■										
	11/16	YB211NL*■		Y211NL*■										
204	3/4	YB212NL*■	0.5512	Y212NL*■	0.5906	1.8504	1 23/32	0.6719	1.3438	1 5/16	1.121	0.039	17/32	0.50
205	7/8	YB214NL*Δ	0.5906	Y214NL*Δ	0.5906	2.0472	1 3/4	0.6875	1.3750	1 1/2	1.313	0.039	17/32	0.70
	15/16	YB215NL*Δ		Y215NL*Δ										
	1	YB216NL*Δ		Y216NL*Δ										
206	1 1/8	YB218NL*■	0.6299	Y218NL*■	0.7087	2.4409	1 29/32	0.7188	1.4375	1 3/4	1.587	0.039	5/8	0.90
	1 3/16	YB219NL*■		Y219NL*■										
	1 1/4	YB2E20NL*■		Y2E20NL*■										
207	1 1/4	YB220NL*Δ	0.6693	Y220NL*Δ	0.7480	2.8346	2 1/64	0.7422	1.4844	2 3/16	1.847	0.039	11/16	1.55
	1 3/8	YB222NL*Δ		Y222NL*Δ										
	1 7/16	YB223NL*Δ		Y223NL*Δ										
208	1 1/2	YB224NL*Δ	0.7087	Y224NL*Δ	0.8661	3.1496	2 7/32	0.8438	1.6875	2 3/8	2.083	0.039	23/32	1.90
	1 5/8	YB226NL*Δ		Y226NL*Δ										
	1 11/16	YB227NL*Δ		Y227NL*Δ										
209	1 3/4	YB228NL*Δ	0.7480	Y228NL*Δ	0.8661	3.3465	2 7/32	0.8438	1.6875	2 1/2	2.281	0.039	23/32	2.10
	1 7/8	YB229NL*Δ		Y229NL*Δ										
	1 15/16	YB230NL*Δ		Y230NL*Δ										
210	1 15/16	YB231NL*Δ	0.7874	Y231NL*Δ	0.8661	3.5433	2 15/32	0.9688	1.9375	2 3/4	2.475	0.039	23/32	2.10
	2	YB2E32NL*Δ		Y2E32NL*Δ										
211	2	YB232NL*Δ	0.8268	Y232NL*Δ	0.9843	3.9370	2 13/16	1.0938	2.1875	3	2.749	0.059	13/16	3.40
	2 3/16	YB235NL*Δ		Y235NL*Δ										
	2 1/4	YB236NL*Δ		Y236NL*Δ										
212	2 3/8	YB238NL*Δ	0.8661	Y238NL*Δ	1.0630	4.3307	3 1/16	1.2188	2.4375	3 1/4	3.012	0.059	7/8	3.80
	2 7/16	YB239NL*Δ		Y239NL*Δ										

Additional Notes

- Please call 1-866-REXNORD for availability
- Dimension "r", max fillet radius of housing to clear bearing corner
- Bearing O.D. tolerance for size code 208 and below, +0.000 in/-0.0005 in (+0.000 mm/-0.013 mm); for all other size codes, +0.000 in/-0.0006 in (+0.000 mm/-0.015 mm)
- * N lip seals standard
- Available with H labyrinth seals
 - Δ Available with E3 triple lip seals
- For the Selection Guide, Load Ratings and Speed Limits, see the Link-Belt 200 Series Ball Bearing Engineering section

Note: Dimensions subject to change. Certified dimensions of ordered material furnished on request.

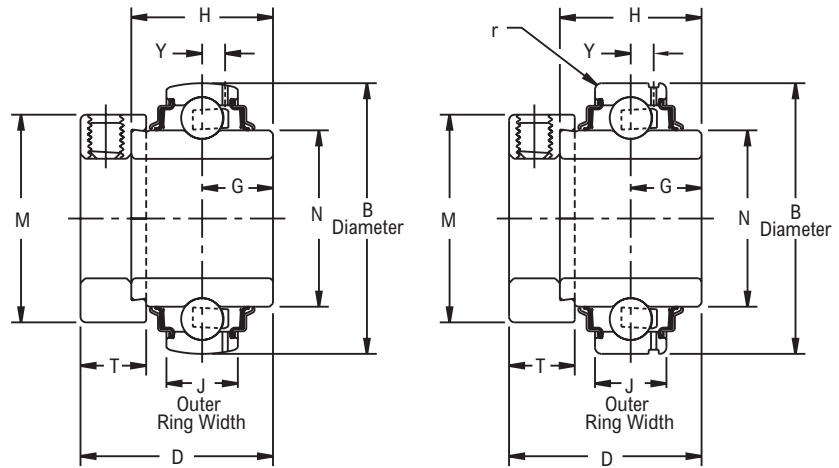
YG200, YBG200



Photo Shows an Unmounted Ball Bearing Unit

Product Features

- Broad range of sealing options
- Wide inner ring for increased shaft stability
- Eccentric cam locking device
- Sealed & relubricatable
- Spherical or Cylindrical O.D.
- See Features & Benefits for additional info.



Bearing Dimensions

Size Code	Shaft Diameter	Cylindrical		Spherical		B O.D.	D	G	H	M	N	r	T	Y	Approx. Weight
		Part Number	J Outer Ring Width	Part Number	J Outer Ring Width										
203	1/2	YBG2B08NL*■	0.4724	YG2B08NL*■	0.5118	1.5748	1 15/32	0.5469	1.0938	1 1/8	0.941	0.024	17/32	0.158	0.30
	5/8	YBG210NL*■		YG210NL*■											
	11/16	YBG211NL*■		YG211NL*■											
204	3/4	YBG212NL*■	0.5512	YG212NL*■	0.5906	1.8504	1 23/32	0.6719	1.3438	1 5/16	1.121	0.039	17/32	0.176	0.50
	7/8	YBG214NL*Δ		YG214NL*Δ											
205	15/16	YBG215NL*Δ	0.5906	YG215NL*Δ	0.5906	2.0472	1 3/4	0.6875	1.3750	1 1/2	1.313	0.039	17/32	0.176	0.70
	1	YBG216NL*Δ		YG216NL*Δ											
	1 1/8	YBG218NL*■		YG218NL*■											
206	1 3/16	YBG219NL*■	0.7087	YG219NL*■	0.7087	2.4409	1 29/32	0.7188	1.4375	1 3/4	1.587	0.039	5/8	0.202	0.90
	1 1/4	YBG2E20NL*■		YG2E20NL*■											
	1 1/4	YBG220NL*Δ		YG220NL*Δ											
207	1 3/8	YBG222NL*Δ	0.7480	YG222NL*Δ	0.7480	2.8346	2 1/64	0.7422	1.4844	2 3/16	1.847	0.039	11/16	0.239	1.55
	1 7/16	YBG223NL*Δ		YG223NL*Δ											
	1 1/2	YBG224NL*Δ		YG224NL*Δ											
208	1 5/8	YBG226NL*Δ	0.8268	YG226NL*Δ	0.8661	3.1496	2 7/32	0.8438	1.6875	2 3/8	2.083	0.039	23/32	0.253	1.90
	1 11/16	YBG227NL*Δ		YG227NL*Δ											
	1 3/4	YBG228NL*Δ		YG228NL*Δ											
209	1 15/16	YBG231NL*Δ	0.8661	YG231NL*Δ	0.8661	3.3465	2 7/32	0.8438	1.6875	2 1/2	2.281	0.039	23/32	0.254	2.10
	2	YBG2E32NL*Δ		YG2E32NL*Δ											
	1 3/4	YBG232NL*Δ		YG232NL*Δ											
210	1 15/16	YBG231NL*Δ	0.9055	YG231NL*Δ	0.8661	3.5433	2 15/32	0.9688	1.9375	2 3/4	2.475	0.039	23/32	0.268	2.10
	2	YBG2E32NL*Δ		YG2E32NL*Δ											
	2 1/4	YBG236NL*Δ		YG236NL*Δ											
211	2 3/16	YBG235NL*Δ	0.9843	YG235NL*Δ	0.9843	3.9370	2 13/16	1.0938	2.1875	3	2.749	0.059	13/16	0.295	3.40
	2 1/4	YBG236NL*Δ		YG236NL*Δ											
	2 3/8	YBG238NL*Δ		YG238NL*Δ											
212	2 3/8	YBG238NL*Δ	1.0630	YG238NL*Δ	1.0630	4.3307	3 1/16	1.2188	2.4375	3 1/4	3.012	0.059	7/8	0.330	3.80
	2 7/16	YBG239NL*Δ		YG239NL*Δ											

Additional Notes

- Please call 1-866-REXNORD for availability
- Dimension "r", max fillet radius of housing to clear bearing corner
- Bearing O.D. tolerance for size code 208 and below, +.0000 in/-.0005 in (+0.000 mm/-0.013 mm); for all other size codes, +.0000 in/-.0006 in (+0.000 mm/-0.015 mm)
- * N lip seals standard
- Available with H labyrinth seals
 - Δ Available with E3 triple lip seals
- For the Selection Guide, Load Ratings and Speed Limits, see the Link-Belt 200 Series Ball Bearing Engineering section

Note: Dimensions subject to change. Certified dimensions of ordered material furnished on request.

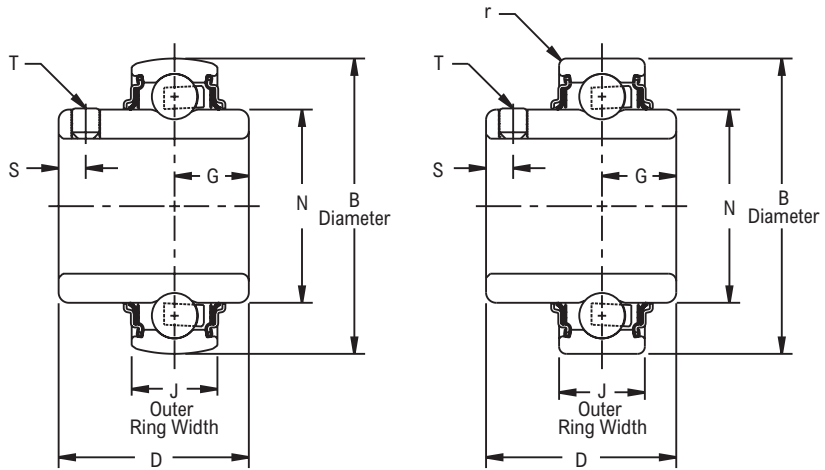
U200, UB200



Photo Shows an Unmounted Ball Bearing Unit

Product Features

- Broad range of sealing options
- Wide inner ring for increased shaft stability
- Spring locking setscrew mount
- Sealed & non-relubricatable
- Spherical or Cylindrical O.D.
- See Features & Benefits for additional info.



Bearing Dimensions

Size Code	Shaft Diameter	Cylindrical		Spherical		B O.D.	D	G	N	r	S	T	Approx. Weight
		Part Number	J Outer Ring Width	Part Number	J Outer Ring Width								
203	1/2	UB2B08NL*■	0.4724	U2B08NL*■	0.5118	1.5748	1 3/32	0.4531	0.941	0.024	0.15	#10-32	0.25
	5/8	UB210NL*■		U210NL*■									
	11/16	UB211NL*■		U211NL*■									
204	17.00	UB2M17NL*■	12.0000	U2M17NL*■	13.0000	40.0000	27.78	11.5090	23.900	0.610	3.80	#10-32	0.10
	3/4	UB212NL*■	0.5512	U212NL*■	0.5906	1.8504	1 9/32	0.5313	1.121	0.039	0.19	#1/4-28	0.50
205	20.00	UB2M20NL*■	14.0000	U2M20NL*■	15.0000	47.0000	32.54	13.4940	28.470	1.000	4.80	#1/4-28	0.20
	7/8	UB214NL*Δ	0.5906	U214NL*Δ	0.5906	2.0472	1 23/64	0.5625	1.313	0.039	0.22	#1/4-28	0.50
15/16	UB215NL*Δ	U215NL*Δ											
1	UB216NL*Δ	U216NL*Δ											
206	25.00	UB2M25NL*Δ	15.0000	U2M25NL*Δ	15.0000	52.0000	34.53	14.2880	33.350	1.000	5.60	#1/4-28	0.20
	1 1/8	UB218NL*■	0.6299	U218NL*■	0.7087	2.4409	1 9/16	0.6094	1.587	0.039	0.22	#1/4-28	0.80
1 3/16	UB219NL*■	U219NL*■											
1 1/4	UB2E20NL*■	U2E20NL*■											
207	30.00	UB2M30NL*■	16.0000	U2M30NL*■	18.0000	62.0000	39.69	15.4780	40.310	1.000	5.60	#1/4-28	0.35
	1 1/4	UB220NL*Δ	0.6693	U220NL*Δ	0.7480	2.8346	1 49/64	0.6563	1.847	0.039	0.25	#5/16-24	1.20
1 3/8	UB222NL*Δ	U222NL*Δ											
1 7/16	UB223NL*Δ	U223NL*Δ											
208	35.00	UB2M35NL*Δ	17.0000	U2M35NL*Δ	19.0000	72.0000	44.85	16.6690	46.910	1.000	6.40	#5/16-24	0.55
	1 1/2	UB224NL*Δ	0.7087	U224NL*Δ	0.8661	3.1496	1 29/32	0.7344	2.083	0.039	0.32	#5/16-24	1.50
209	40.00	UB2M40NL*Δ	18.0000	U2M40NL*Δ	22.0000	80.0000	48.42	18.6530	52.910	1.000	8.10	#5/16-24	0.70
	1 5/8	UB226NL*Δ	0.7480	U226NL*Δ	0.8661	3.3465	2 1/32	0.7969	2.281	0.039	0.32	#5/16-24	2.00
1 11/16	UB227NL*Δ	U227NL*Δ											
1 3/4	UB228NL*Δ	U228NL*Δ											
210	45.00	UB2M45NL*Δ	19.0000	U2M45NL*Δ	22.0000	85.0000	51.59	20.2410	57.940	1.000	8.10	#5/16-24	0.90
	1 15/16	UB231NL*Δ	0.7874	U231NL*Δ	0.8661	3.5433	2 3/32	0.8261	2.475	0.039	0.38	#3/8-24	2.20
2	UB2E32NL*Δ	U2E32NL*Δ											
50.00	UB2M50NL*Δ	20.0000		U2M50NL*Δ									
211	2	UB232NL*Δ	0.8268	U232NL*Δ	0.9843	3.9370	2 1/4	0.8438	2.749	0.059	0.38	#3/8-24	2.40
	2 3/16	UB235NL*Δ		U235NL*Δ									
55.00	UB2M55NL*Δ	21.0000		U2M55NL*Δ									
212	2 1/4	UB236NL*Δ	0.8661	U236NL*Δ	1.0630	4.3307	2 1/2	0.9375	3.012	0.059	0.38	#3/8-24	3.40
	2 3/8	UB238NL*Δ		U238NL*Δ									
2 7/16	UB239NL*Δ	U239NL*Δ											
60.00	UB2M60NL*Δ	22.0000	U2M60NL*Δ	27.0000	110.0000	63.50	23.8130	76.500	1.500	9.60	#3/8-24	1.50	

Additional Notes

- Please call 1-866-REXNORD for availability
- Dimension "r", max fillet radius of housing to clear bearing corner
- Bearing O.D. tolerance for size code 208 and below, +0.000 in/-0.0005 in (+0.000 mm/-0.013 mm); for all other size codes, +0.000 in/-0.0006 in (+0.000 mm/-0.015 mm)
- * N lip seals standard
- Available with H labyrinth seals
- Δ Available with E3 triple lip seals
- For the Selection Guide, Load Ratings and Speed Limits, see the Link-Belt 200 Series Ball Bearing Engineering section

Note: Dimensions subject to change. Certified dimensions of ordered material furnished on request.

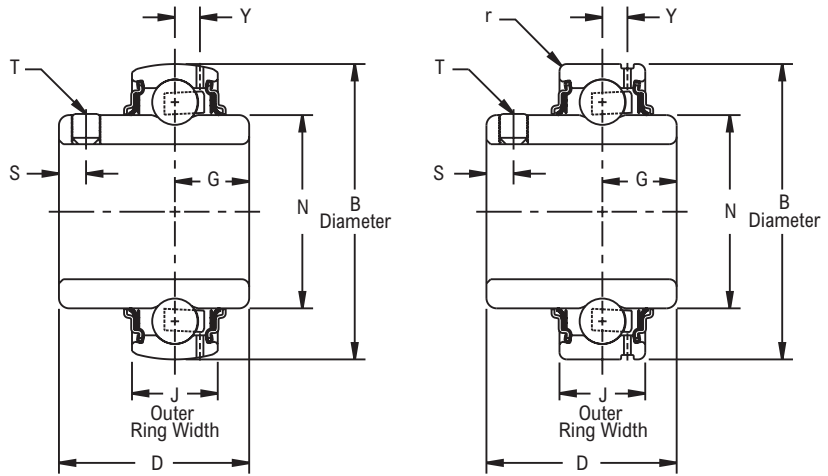
UG200, UBG200



Photo Shows an Unmounted Ball Bearing Unit

Product Features

- Broad range of sealing options
- Wide inner ring for increased shaft stability
- Spring locking setscrew mount
- Sealed & relubricatable
- Spherical or Cylindrical O.D.
- See Features & Benefits for additional info.



Bearing Dimensions

Size Code	Shaft Diameter	Cylindrical		Spherical		B O.D.	D	G	M	N	r	S	T	Y	Approx. Weight
		Part Number	J Outer Ring Width	Part Number	J Outer Ring Width										
203	1/2	UBG2B08NL*■	0.4724	UG2B08NL*■	0.5118	1.5748	1 3/32	0.4531	-	0.941	0.024	0.15	#10-32	0.158	0.25
	5/8	UBG210NL*■		UG210NL*■											
	11/16	UBG211NL*■		UG211NL*■											
	17.00	UBG2M17NL*■	12.0000	UG2M17NL*■	13.0000	40.0000	27.78	11.5090	-	23.900	0.610	3.80	#10-32	4.010	0.10
204	3/4	UBG212NL*■	0.5512	UG212NL*■	0.5906	1.8504	1 9/32	0.5313	-	1.121	0.039	0.19	#1/4-28	0.176	0.50
	20.00	UBG2M20NL*■	14.0000	UG2M20NL*■	15.0000	47.0000	32.54	13.4940	-	28.470	1.000	4.80	#1/4-28	4.470	0.20
205	7/8	UBG214NL*Δ■	0.5906	UG214NL*Δ■	0.5906	2.0472	1 23/64	0.5625	-	1.313	0.039	0.22	#1/4-28	0.176	0.50
	15/16	UBG215NL*Δ■		UG215NL*Δ■											
	1	UBG216NL*Δ■		UG216NL*Δ■											
	25.00	UBG2M25NL*Δ■		15.0000											
206	1 1/8	UBG218NL*■	0.7087	UG218NL*■	0.7087	2.4409	1 9/16	0.6094	-	1.587	0.039	0.22	#1/4-28	0.202	0.80
	1 3/16	UBG219NL*■		UG219NL*■											
	1 1/4	UBG2E20NL*■		UG2E20NL*■											
	30.00	UBG2M30NL*■		18.0000											
207	1 1/4	UBG220NL*Δ■	0.7480	UG220NL*Δ■	0.7480	2.8346	1 49/64	0.6563	-	1.847	0.039	0.25	#5/16-24	0.239	1.20
	1 3/8	UBG222NL*Δ■		UG222NL*Δ■											
	1 7/16	UBG223NL*Δ■		UG223NL*Δ■											
	35.00	UBG2M35NL*Δ■		19.0000											
208	1 1/2	UBG224NL*Δ■	0.8268	UG224NL*Δ■	0.8661	3.1496	1 29/32	0.7344	-	2.083	0.039	0.32	#5/16-24	0.253	1.50
	40.00	UBG2M40NL*Δ■	21.0000	UG2M40NL*Δ■	22.0000	80.0000	48.42	18.6530	-	52.910	1.000	8.10	#5/16-24	6.430	0.70
209	1 5/8	UBG226NL*Δ■	0.8661	UG226NL*Δ■	0.8661	3.3465	2 1/32	0.7969	-	2.281	0.039	0.32	#5/16-24	0.254	2.00
	1 11/16	UBG227NL*Δ■		UG227NL*Δ■											
	1 3/4	UBG228NL*Δ■		UG228NL*Δ■											
	45.00	UBG2M45NL*Δ■		22.0000											
210	1 15/16	UBG231NL*Δ■	0.9055	UG231NL*Δ■	0.8661	3.5433	2 3/32	0.8281	-	2.475	0.039	0.38	#3/8-24	0.268	2.20
	50.00	UBG2M50NL*Δ■	23.0000	UG2M50NL*Δ■	22.0000	90.0000	53.18	21.0340	-	62.860	1.000	9.60	#3/8-24	6.810	1.00
211	2	UBG232NL*Δ■	0.9843	UG232NL*Δ■	0.9843	3.9370	2 1/4	0.8438	-	2.749	0.059	0.38	#3/8-24	0.295	2.40
	2 3/16	UBG235NL*Δ■		UG235NL*Δ■											
	55.00	UBG2M55NL*Δ■		25.0000											
212	2 1/4	UBG236NL*Δ■	1.0630	UG236NL*Δ■	1.0630	4.3307	2 1/2	0.9375	-	3.012	0.059	0.38	#3/8-24	0.330	3.40
	2 3/8	UBG238NL*Δ■		UG238NL*Δ■											
	2 7/16	UBG239NL*Δ■		UG239NL*Δ■											
	60.00	UBG2M60NL*Δ■		27.0000											

Continued...

Continued...

Bearing Dimensions

Size Code	Shaft Diameter	Cylindrical		Spherical		B O.D.	D	G	M	N	r	S	T	Y	Approx. Weight
		Part Number	J Outer Ring Width	Part Number	J Outer Ring Width										
213	2 1/2	-	-	UG240NL*Δ	1.0630	4.7244	2 11/16	1.0000	4 3/16	3.331	-	-	-	0.343	5.80
	2 11/16	-	-	UG243NL*Δ											
	65.00	-	-	UG2M65NL*Δ	27.0000	120.0000	68.26	25.4000	106.40	84.610	-	-	-	8.710	2.60
215	2 3/4	-	-	UG244NL*Δ											
	2 15/16	-	-	UG247NL*Δ	1.1417	5.1181	2 7/8	1.0625	4 5/8	3.624	-	-	-	0.367	7.30
	3	-	-	UG2E48NL*Δ											
	75.00	-	-	UG2M75NL*Δ	29.0000	130.0000	73.02	26.9870	117.50	92.050	-	-	-	9.320	3.30
217	3 7/16	-	-	UG255NL*Δ	1.3386	5.9055	3 9/16	1.4375	5 3/16	4.158	-	-	-	0.415	9.50
	3 1/2	-	-	UG2E56NL*Δ											
	85.00	-	-	UG2M85NL*Δ	34.0000	150.0000	90.49	36.5130	131.80	105.610	-	-	-	10.540	4.30
220	3 15/16	-	-	UG263NL*	1.5748	7.0866	4 1/4	1.6719	5 15/16	4.913	-	-	-	0.504	16.00
	4	-	-	UG2E64NL*											
	100.00	-	-	UG2M100NL*	40.0000	180.0000	107.95	42.4660	150.80	124.790	-	-	-	12.800	7.20

Additional Notes

Please call 1-866-REXNORD for availability
 Bearing O.D. tolerance for size code 208 and below,
 +.0000 in/- .0005 in (**+0.000 mm/-0.013 mm**)
 Bearing O.D. tolerance for size codes 209 thru 214,
 +.0000 in/- .0006 in (**+0.000 mm/-0.015 mm**)
 Bearing O.D. tolerance for size codes 215 thru 217,
 +.0000 in/- .0008 in (**+0.000 mm/-0.020 mm**)
 Bearing O.D. tolerance for all other size codes,
 +.0000 in/- .0010 in (**+0.000 mm/-0.025 mm**)

Dimension "r", max fillet radius of housing to clear bearing corner

* N lip seals standard

■ Available with H labyrinth seals

Δ Available with E3 triple lip seals

For the Selection Guide, Load Ratings and Speed Limits, see the Link-Belt 200 Series Ball Bearing Engineering section

Note: Dimensions subject to change. Certified dimensions of ordered material furnished on request.

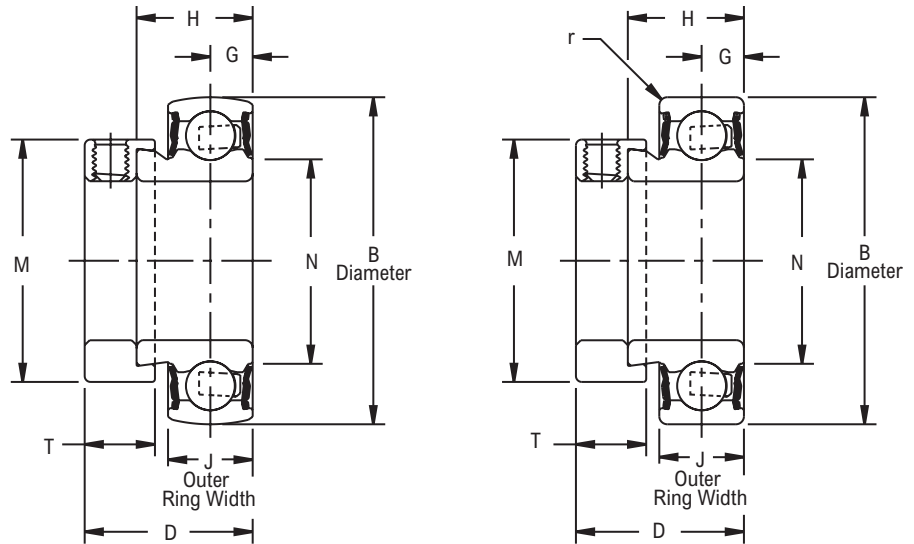
W200, WB200



Photo Shows an Unmounted Ball Bearing Unit

Product Features

- Eccentric cam locking device
- Sealed & non-relubricatable
- Spherical or Cylindrical O.D.
- See Features & Benefits for additional info.



Bearing Dimensions

Size Code	Shaft Diameter	Cylindrical	Spherical	B O.D.	J Outer Ring Width	D	G	H	M	N	r	T	Approx. Weight
		Part Number	Part Number										
203	1/2	WB2B08EL▲	W2B08EL▲	1.5748	0.5118	1 1/8	0.2559	0.7500	1 1/8	0.879	0.024	17/32	0.30
	5/8	WB210EL▲	W210EL▲										
204	3/4	WB212EL▲	W212EL▲	1.8504	0.5906	1 7/32	0.2953	0.8437	1 5/16	1.013	0.039	17/32	0.50
	7/8	WB214EL▲	W214EL▲										
205	15/16	WB215EL▲	W215EL▲	2.0472	0.5906	1 7/32	0.2953	0.8437	1 1/2	1.210	0.039	17/32	0.50
	1	WB216EL▲	W216EL▲										
	1 1/8	WB218EL▲	W218EL▲										
206	1 3/16	WB219EL▲	W219EL▲	2.4409	0.7087	1 13/32	0.3543	0.9375	1 3/4	1.587	0.039	5/8	0.75
	1 1/4	WB2E20EL▲	W2E20EL▲										
	1 1/4	WB220EL▲	W220EL▲										
207	1 3/8	WB222EL▲	W222EL▲	2.8346	0.7480	1 17/32	0.3740	1.0000	2 3/16	1.847	0.039	11/16	1.30
	1 7/16	WB223EL▲	W223EL▲										
	1 1/2	WB224EL▲	W224EL▲										
208	1 5/8	WB226EL▲	W226EL▲	3.1496	0.8661	1 23/32	0.4330	1.1875	2 3/8	2.083	0.039	23/32	1.60
	1 11/16	WB227EL▲	W227EL▲										
	1 3/4	WB228EL▲	W228EL▲										
209	1 15/16	WB231EL▲	W231EL▲	3.3465	0.8661	1 23/32	0.4330	1.1875	2 1/2	2.109	0.039	23/32	1.70
	2	WB2E32EL▲	W2E32EL▲										
210	1 15/16	WB231EL▲	W231EL▲	3.5433	0.8661	1 23/32	0.4330	1.1875	2 3/4	2.306	0.039	23/32	1.75
	2	WB2E32EL▲	W2E32EL▲										

Additional Notes

- Please call 1-866-REXNORD for availability
- Dimension "r", max fillet radius of housing to clear bearing corner
- Bearing O.D. tolerance for size code 208 and below, +.0000 in/-.0005 in (+0.000 mm/-0.013 mm) for all other size codes, +.0000 in/-.0006 in (+0.000 mm/-0.015 mm)
- ▲ E lip seals standard

For the Selection Guide, Load Ratings and Speed Limits, see the Link-Belt 200 Series Ball Bearing Engineering section

Note: Dimensions subject to change. Certified dimensions of ordered material furnished on request.

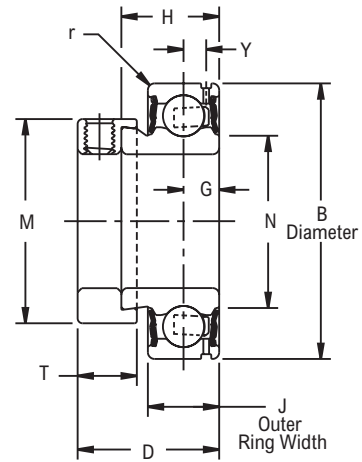
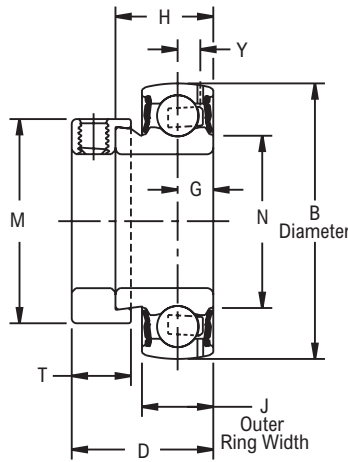
WG200, WBG200



Photo Shows an Unmounted Ball Bearing Unit

Product Features

- Eccentric cam locking device
- Sealed & relubricatable
- Spherical or Cylindrical O.D.
- See Features & Benefits for additional info.



Bearing Dimensions

Size Code	Shaft Diameter	Cylindrical	Spherical	B O.D.	J Outer Ring Width	D	G	H	M	N	r	T	Y	Approx. Weight
		Part Number	Part Number											
203	1/2	WBG2B08EL▲	WG2B08EL▲	1.5748	0.5118	1 1/8	0.2559	0.7500	1 1/8	0.879	0.024	17/32	0.158	0.30
	5/8	WBG210EL▲	WG210EL▲											
204	3/4	WBG212EL▲	WG212EL▲	1.8504	0.5906	1 7/32	0.2953	0.8437	1 5/16	1.013	0.039	17/32	0.176	0.50
205	7/8	WBG214EL▲	WG214EL▲	2.0472	0.5906	1 7/32	0.2953	0.8437	1 1/2	1.210	0.039	17/32	0.176	0.50
	15/16	WBG215EL▲	WG215EL▲											
	1	WBG216EL▲	WG216EL▲											
206	1 1/8	WBG218EL▲	WG218EL▲	2.4409	0.7087	1 13/32	0.3543	0.9375	1 3/4	1.587	0.039	5/8	0.202	0.75
	1 3/16	WBG219EL▲	WG219EL▲											
	1 1/4	WBG220EL▲	WG220EL▲											
207	1 1/4	WBG220EL▲	WG220EL▲	2.8346	0.7480	1 17/32	0.3740	1.0000	2 3/16	1.847	0.039	11/16	0.239	1.30
	1 3/8	WBG222EL▲	WG222EL▲											
	1 7/16	WBG223EL▲	WG223EL▲											
208	1 1/2	WBG224EL▲	WG224EL▲	3.1496	0.8661	1 23/32	0.4330	1.1875	2 3/8	2.083	0.039	23/32	0.253	1.60
	1 5/8	WBG226EL▲	WG226EL▲	3.3465	0.8661	1 23/32	0.4330	1.1875	2 1/2	2.109	0.039	23/32	0.254	1.70
209	1 11/16	WBG227EL▲	WG227EL▲											
	1 3/4	WBG228EL▲	WG228EL▲											
210	1 15/16	WBG231EL▲	WG231EL▲	3.5433	0.8661	1 23/32	0.4330	1.1875	2 3/4	2.306	0.039	23/32	0.268	1.75
		2	WBG2E32EL▲											

Additional Notes

- Please call 1-866-REXNORD for availability
- Dimension "r", max fillet radius of housing to clear bearing corner
- Bearing O.D. tolerance for size code 208 and below, +.0000 in/-.0005 in (+0.000 mm/-0.013 mm); for all other size codes, +.0000 in/-.0006 in (+0.000 mm/-0.015 mm)
- ▲ E lip seals standard
- For the Selection Guide, Load Ratings and Speed Limits, see the Link-Belt 200 Series Ball Bearing Engineering section
- Note: Dimensions subject to change. Certified dimensions of ordered material furnished on request.

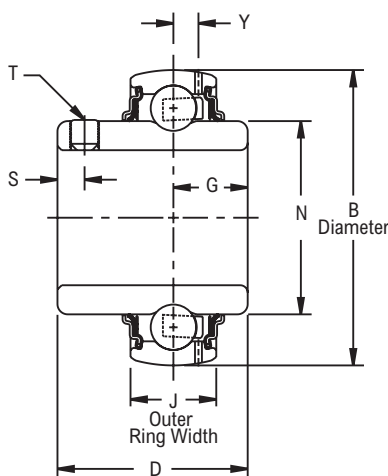
SG200 (Scheduled to be discontinued in 2013)



Photo Shows an Unmounted Ball Bearing Unit

Product Features

- Spring locking setscrew mount
- Sealed & relubricatable
- Spherical O.D.
- See Features & Benefits for additional info.



Bearing Dimensions

Size Code	Shaft Diameter	Part Number	B O.D.	J Outer Ring Width	D	G	N	S	T	Y	Approx. Weight
204	3/4	SG212EL▲	1.8504	0.5906	1 1/8	0.3760	1.116	0.23	1/4-28	0.176	0.40
	7/8	SG214EL▲									
205	15/16	SG215EL▲	2.0472	0.5906	1 11/64	0.3760	1.313	0.25	1/4-28	0.176	0.50
	1	SG216EL▲									
206	1 1/8	SG218EL▲	2.4409	0.7087	1 11/32	0.3920	1.587	0.31	5/16-24	0.202	0.70
	1 3/16	SG219EL▲									
	1 1/4	SG2E20EL▲									
207	1 1/4	SG220EL▲	2.8346	0.7480	1 9/16	0.4540	1.847	0.34	5/16-24	0.239	1.10
	1 3/8	SG222EL▲									
	1 7/16	SG223EL▲									
208	1 1/2	SG224EL▲	3.1496	0.8661	1 21/32	0.4850	2.084	0.34	5/16-24	0.253	1.40
	1 5/8	SG226EL▲									
209	1 11/16	SG227EL▲	3.3465	0.8661	1 49/64	0.5320	2.281	0.36	5/16-24	0.254	1.65
	1 3/4	SG228EL▲									
210	1 15/16	SG231EL▲	3.5433	0.8661	1 13/16	0.5320	2.478	0.38	3/8-24	0.268	1.70

Additional Notes

- Please call 1-866-REXNORD for availability
- Dimension "r", max fillet radius of housing to clear bearing corner
- Bearing O.D. tolerance for size code 208 and below, +.0000 in/-.0005 in (+0.000 mm/-0.013 mm); for all other size codes, +.0000 in/-.0006 in (+0.000 mm/-0.015 mm)
- ▲ E lip seals standard
- For the Selection Guide, Load Ratings and Speed Limits, see the Link-Belt 200 Series Ball Bearing Engineering section
- Note: Dimensions subject to change. Certified dimensions of ordered material furnished on request.

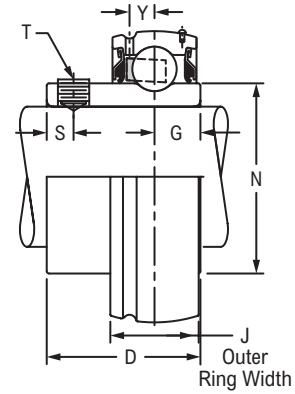
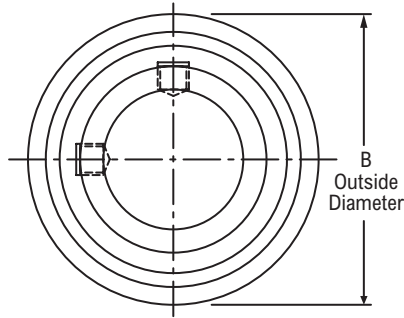
SG200ELPA



Photo Shows an Unmounted Ball Bearing Unit

Product Features

- Broad range of sealing options
- Spring locking setscrew mount
- Sealed & relubricatable
- Spherical O.D.
- See Features & Benefits for additional info.



Bearing Dimensions

Size Code	Shaft Diameter	Part Number	B O.D.	J Outer Ring Width	D	G	N	S	T	Y	Approx. Weight
203	1/2	SG2B08ELPA	1.5748	0.5118	63/64	0.3440	0.941	0.19	#10-32	0.158	0.25
	5/8	SG210ELPA									0.21
	11/16	SG211ELPA									0.19
204	3/4	SG212ELPA	1.8504	0.5906	1 1/8	0.3760	1.121	0.23	1/4-28	0.176	0.32
	20.00	SG2M20ELPA	47.0000	15.0000	28.58	9.5500	28.470	5.80	M6X1	4.470	0.10
205	7/8	SG214ELPA	2.0472	0.5906	1 11/64	0.3760	1.313	0.25	1/4-28	0.176	0.43
	15/16	SG215ELPA									0.40
	1	SG26ELPA									0.37
	25.00	SG2M25ELPA	52.0000	15.0000	29.77	9.5500	33.350	6.40	M6X1	4.470	0.20
206	1 1/8	SG218ELPA	2.4409	0.7087	1 11/32	0.3920	1.587	0.31	5/16-24	0.202	0.63
	1 3/16	SG219ELPA									0.60
	1 1/4	SG2E20ELPA									0.57
	30.00	SG2M30ELPA	62.0000	18.0000	34.14	9.9600	40.310	7.90	M8X1.25	5.130	0.30
207	1 1/4	SG220ELPA	2.8346	0.7480	1 9/16	0.4540	1.847	0.34	5/16-24	0.227	1.02
	1 3/8	SG222ELPA									0.92
	1 7/16	SG223ELPA									0.86
	35.00	SG2M35ELPA	72.0000	19.0000	39.67	11.5300	46.910	8.60	M8X1.25	5.770	0.40
208	1 1/2	SG224ELPA	3.1496	0.8661	1 21/32	0.4850	2.083	0.34	5/16-24	0.263	1.27
	1 5/8	SG2E26ELPA									1.20
	40.00	SG2M40ELPA									80.0000
209	1 5/8	SG226ELPA	3.3465	0.8661	1 49/64	0.5320	2.281	0.36	5/16-24	0.256	1.50
	1 11/16	SG227ELPA									1.43
	1 3/4	SG228ELPA									1.36
210	1 7/8	SG230ELPA	3.5433	0.8661	1 13/16	0.5320	2.475	0.38	3/8-24	0.256	1.57
	1 15/16	SG231ELPA									1.48
	2	SG2E32ELPA									1.39
	2	SG232ELPA	3.9370	0.9843	1 13/16	0.5370	2.749	0.38	3/8-24	0.298	2.27
2 3/16	SG235ELPA	1.97									
2 1/4	SG2E36ELPA	1.87									
212	2 1/4	SG236ELPA	4.3307	1.0630	1 57/64	0.5780	3.012	0.38	3/8-24	0.330	2.85
	2 3/8	SG238ELPA									2.61
	2 7/16	SG239ELPA									2.49
215	2 15/16	SG247ELPA	5.1181	1.1835	2 17/64	0.8040	3.632	0.37	3/8-24	0.266	3.96

Additional Notes

- Please call 1-866-REXNORD for availability
- Bearing O.D. tolerance for size code 203 thru 208, +.0000 in/-0.0005 in (+0.000 mm/-0.013 mm); for all other size codes, +.0000 in/-0.0006 in (+0.000 mm/-0.015 mm)
- Lip seals standard
- ◆ Available with E1 viton seals for all size codes
 - Available with free running style seals, add suffix ● FF, □ HFF or Δ MHFF for all size codes
- For the Selection Guide, Load Ratings and Speed Limits, see the Link-Belt Ball Bearing Engineering section

Note: Dimensions subject to change. Certified dimensions of ordered material furnished on request.

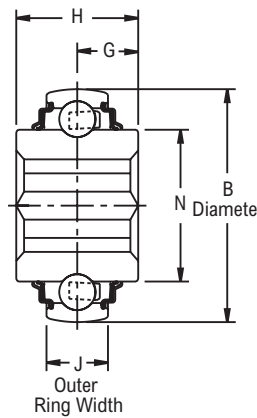
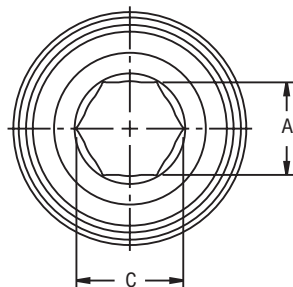
Hex



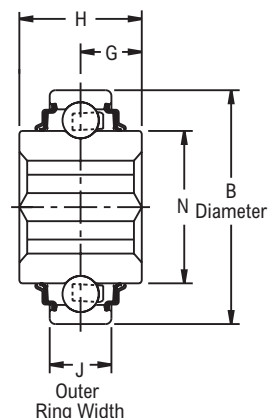
Photo Shows an Unmounted Hex Bore Ball Bearing Unit

Product Features

- Spherical or Cylindrical O.D.
- Sealed & non-relubricatable
- See Features & Benefits for additional info.



Spherical



Cylindrical

Bearing Dimensions

Size Code	Shaft Diameter	Part Number	Industry Number	B O.D.	J Outer Ring Width	A	C	G	H	N	Approx. Weight
Cylindrical											
204	5/8	10KB204N*	204KRR4	1.8504	0.5512	0.626	0.728	0.412	0.8250	1.121	0.30
	11/16	11KB204N*	204KRR2			0.695	0.797				
205	7/8	14KB205N*Δ	205KRR2	2.0472	0.5906	0.876	1.010	0.500	1.0000	1.313	0.40
206	1	16KB206N*	206KRR6	2.4409	0.6299	1.001	1.153	0.472	0.9449	1.587	0.60
207	1 1/8	18KB207N*Δ	207KRR9	2.8346	0.6693	1.126	1.299	0.742	1.4844	1.847	1.10
209	1 1/2	24KB209N*Δ	209KRR2	3.3465	0.7480	1.501	1.732	0.591	1.1811	2.281	1.40
210	1 5/8	26KB3210E3 Δ	W210PP7	3.5433	1.1875	1.626	1.876	0.594	1.1875	2.475	1.60
Spherical											
204	11/16	11K204N*	204KRRB2	1.8504	0.5906	0.695	0.797	0.412	0.8250	1.121	0.30
205	7/8	14K205N*Δ	205KRRB2	2.0472	0.5906	0.876	1.010	0.500	1.0000	1.313	0.40
206	1	16K206N*	206KRRB6	2.4409	0.7087	1.001	1.153	0.472	0.9449	1.587	0.60
207	1 1/8	18K207N*Δ	207KRRB9	2.8346	0.7480	1.126	1.299	0.742	1.4844	1.847	1.10
208	1 1/4	20K5208E3 Δ	W208PPB16	3.1496	0.7087	1.251	1.450	0.718	1.4375	2.083	1.20
209	1 1/2	24K209N*Δ	209KRRB2	3.3465	0.8661	1.501	1.732	0.591	1.1811	2.281	1.40
210	1 5/8	26K3210E3 Δ	W210PPB7	3.5433	1.1875	1.626	1.876	0.594	1.1875	2.475	1.60

Additional Notes

- Please call 1-866-REXNORD for availability
- Δ E3 triple lip seals are standard for size codes 208 & 210
- On size codes 205, 207 & 209, Δ available with E3 triple lip seals
- For the Selection Guide, Load Ratings and Speed Limits, see the Link-Belt 200 Series Ball Bearing Engineering section
- Note: Dimensions subject to change. Certified dimensions of ordered material furnished on request.

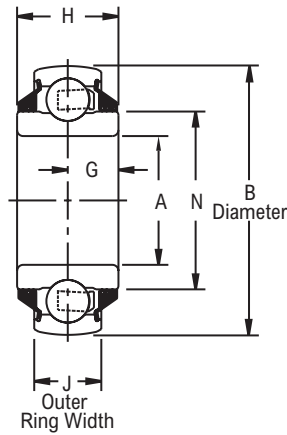
Round



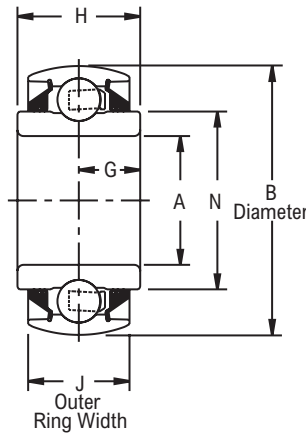
Photo Shows an Unmounted Square Bore Ball Bearing Unit

Product Features

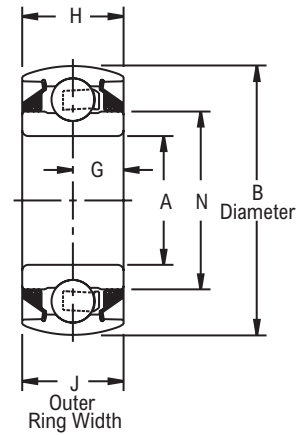
- Spherical or Cylindrical O.D.
- Triple lip seals
- Optional relubrication feature
- See Features & Benefits for additional info.



Style 1



Style 2



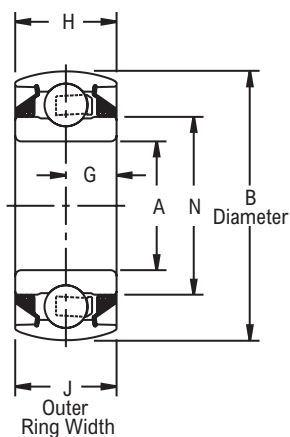
Style 3

*Note: Drawing represents spherical O.D. bearing

Bearing Dimensions

Size Code	Shaft Diameter	Part Number	Industry Number	Style	B O.D.	J Outer Ring Width	A	G	H	N	Y	Approx. Weight
Non-relubricatable												
Cylindrical												
208	1 3/16	19RB208E3 Δ	W208PP7	1	3.1496	0.7087	1.1880	0.594	1.1875	2.083	-	1.30
		19RB3208E3 Δ	W208PP4	3		1.1875						
	1 1/2	24RB6208E3 Δ	W208PP2	2		0.8268	1.5005	0.844	1.6875			1.50
		24RB8208E3 Δ	W208PP10	1								
210	1 15/16	31RB3210E3 Δ	W210PP2	3	3.5433	1.1875	1.9380	0.594	1.1875	2.475	-	1.50
211	2 3/16	35RB3211E3 Δ	W211PP2	3	3.9370	1.3125	2.1880	0.656	1.3125	2.749	-	2.25
Spherical												
208	7/8	14R4208E3 Δ	W208PPB14	2	3.4380	1.1875	0.8900	0.719	1.4375	2.083	-	1.30
	1 3/16	19R208E3 Δ	W208PPB7	1	3.1496	0.7087	1.1880	0.594	1.1875			
		19R3208E3 Δ	W208PPB4	3		1.1875						
	1 1/2	24R6208E3 Δ	W208PPB2	2		1.5005	0.844	1.6875	1.50			
209	1 1/2	24R3209E3 Δ	W209PPB4	3		3.3465	1.1875	1.5350		0.594	1.1875	2.281
		24R4209E3 Δ	W209PPB6	2	3.4380		0.719	1.4375				
	45.00	R3209E3 Δ	W209PPB2	3	85.0000	30.1620	45.0000	15.080	30.1620	57.940		0.60
210	1 3/4	28R3210E3 Δ	W210PPB5	3	3.5433	1.1875	1.7850	0.594	1.1875	2.475	-	1.60
	1 15/16	31R3210E3 Δ	W210PPB2				1.9380					1.50
211	2 3/16	35R3211E3 Δ	W211PPB2	3	3.9370	1.3125	2.1880	0.656	1.3125	2.749	-	2.25

Continued...



Style 3

Continued...

*Note: Drawing represents spherical O.D. bearing

Bearing Dimensions

Size Code	Shaft Diameter	Part Number	Industry Number	Style	B O.D.	J Outer Ring Width	A	G	H	N	Y	Approx. Weight
Relubricatable												
Cylindrical												
210	1 3/8	22RBG3210E3 Δ	GW210PP3	3	3.5433	1.1875	1.4065	0.594	1.1875	2.475	0.255	1.40
	1 15/16	31RBG3210E3 Δ	GW210PP2				1.9380					1.50
211	1 5/8	26RBG3211E3 Δ	GW211PP4	3	3.9370	1.3125	1.6600	0.656	1.3125	2.749	0.267	1.60
	2 3/16	35RBG3211E3 Δ	GW211PP2				2.1880					2.25
Spherical												
209	1 1/2	24RG3209E3 Δ	GW209PPB4	3	3.3465	1.1875	1.5350	0.594	1.1875	2.281	0.248	1.50
	45.00	RG3209E3 Δ	GW209PPB2		85.0000		30.1620					45.0000
210	1 3/8	22RG3210E3 Δ	GW210PPB3	3	3.5433	1.1875	1.4065	0.594	1.1875	2.475	0.255	1.40
	1 3/4	28RG3210E3 Δ	GW210PPB5				1.7850					1.60
	1 15/16	31RG3210E3 Δ	GW210PPB2				1.9380					1.50
211	1 5/8	26RG3211E3 Δ	GW211PPB4	3	3.9370	1.3125	1.6600	0.656	1.3125	2.749	0.267	1.60
	2 3/16	35RG3211E3 Δ	GW211PPB2				2.1880					2.25

Additional Notes

Please call 1-866-REXNORD for availability
 Unground spherical O.D. tolerance, +/- .005 in (+/- 0.13 mm).

Center portion of O.D. is cylindrical

Δ E3 triple lip seals standard

For the Selection Guide, Load Ratings and Speed Limits, see the Link-Belt 200 Series

Ball Bearing Engineering section

Note: Dimensions subject to change. Certified dimensions of ordered material furnished on request.

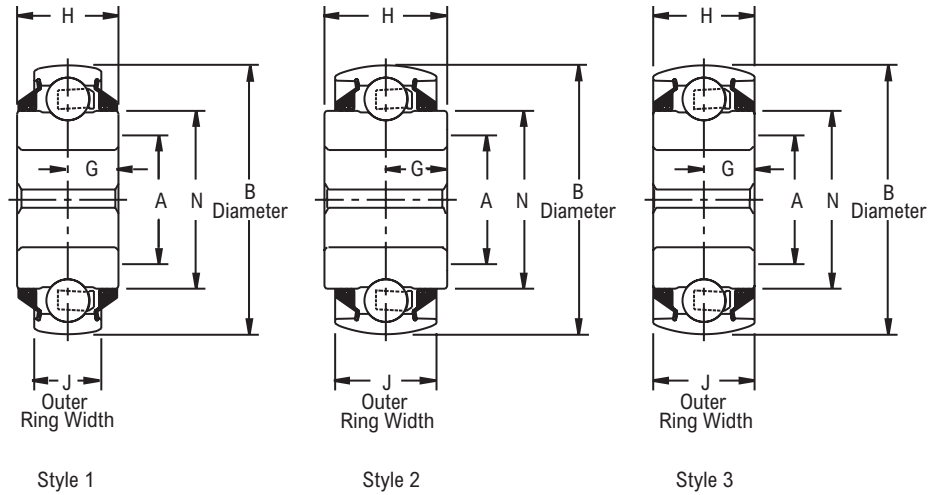
Square



Photo Shows an Unmounted Square Bore Ball Bearing Unit

Product Features

- Spherical or Cylindrical O.D.
- Triple lip seals
- Optional relubrication feature
- See Features & Benefits for additional info.

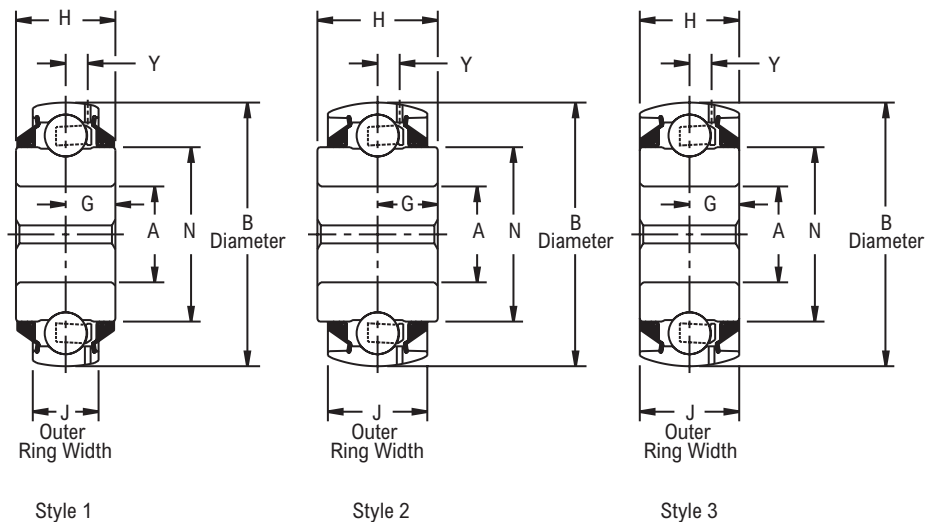


*Note: Drawing represents spherical O.D. bearing

Bearing Dimensions

Size Code	Shaft Diameter	Part Number	Industry Number	Style	B O.D.	J Outer Ring Width	A	G	H	N	Y	Approx. Weight	
Non-relubricatable													
Cylindrical													
208	7/8	14SB5208E3 Δ	W208PP13	1	3.1496		0.7087	0.9050	0.719	1.4375	2.083	-	1.50
		16SB2208E3 Δ	W208PP9	2			1.1875						
	16SB5208E3 Δ	W208PP6	1	0.7087			1.0300						1.50
	18SB22E08E3 Δ	W208PP8	2	1.1875									
	18SB52E08E3 Δ	W208PP5	1	0.7087			1.1850						
211	1 1/2	24SB3211E3 Δ	W211PP3	3	3.9370	1.3125	1.5300	0.656	1.3125	2.749	-	2.40	
Spherical													
208	7/8	14S4208E3 Δ	W208PPB11	2	3.4380		0.7087	0.9050	0.719	1.4375	2.083	-	1.50
		16S2208E3 Δ	W208PPB9				1.1875						
	16S5208E3 Δ	W208PPB6	1	0.7087	1.0300	1.50							
	18S22E08E3 Δ	W208PPB8	2	1.1875									
	18S42E08E3 Δ	W208PPB12		3.4380	1.1850								
18S52E08E3 Δ	W208PPB5	1	0.7087	0.7087									
209	1 1/4	20S2209E3 Δ	W209PPB5	2	3.3465		1.1875	1.2800	0.719	1.4375	2.281	-	1.85
		20S4209E3 Δ	W209PPB7		3.4380								
211	1 1/2	24S3211E3 Δ	W211PPB3	3	3.9370	1.3125	1.5300	0.656	1.3125	2.749	-	2.40	

Continued...



Continued...

*Note: Drawing represents spherical O.D. bearing

Bearing Dimensions

Size Code	Shaft Diameter	Part Number	Industry Number	Style	B O.D.	J Outer Ring Width	A	G	H	N	Y	Approx. Weight
Relubricatable												
Cylindrical												
209	1 1/4	20SBG5209E3 Δ	GW209PP8	1	3.3465	0.8661	1.2800	0.719	1.4375	2.281	0.254	1.85
211	1 1/2	24SBG3211E3 Δ	GW211PP3	3	3.9370	1.3125	1.5300	0.656	1.3125	2.749	0.267	2.40
Spherical												
208	1	16SG5208E3 Δ	GW208PPB6	1	3.1496	0.8661	1.0300	0.719	1.4375	2.083	0.253	1.70
	1 1/8	18SG22E08E3 Δ	GW208PPB8	2		1.1875	1.50					
		18SG52E08E3 Δ	GW208PPB5	1		0.8661	1.1850					
209	1 1/4	20SG5209E3 Δ	GW209PPB8	1	3.3465	0.8661	1.2800	0.719	1.4375	2.281	0.254	1.85
211	1 1/2	24SG3211E3 Δ	GW211PPB3	3	3.9370	1.3125	1.5300	0.656	1.3125	2.749	0.267	2.40

Additional Notes

Please call 1-866-REXNORD for availability
 Unground spherical O.D. tolerance, +/- .005 in (+/- 0.13 mm).

Center portion of O.D. is cylindrical
 Δ E3 triple lip seals standard
 Selection Guide, see Link-Belt Ball Bearing Selection Guide section
 Load Ratings & Speed Limits, see Link-Belt Ball Bearing Load Ratings & Speed Limits section

Note: Dimensions subject to change. Certified dimensions of ordered material furnished on request.



Industries Served
Aggregates
Air Handling
Forestry
Mining
Steel
Package Handling

Series 300 Heavy Duty Ball Bearing Units

Series 300 wide inner ring ball bearing units are designed for heavy duty applications requiring high capacity and/or high speed in a compact footprint. Manufactured from quality alloy bearing steel to precision tolerances, these bearings are used extensively on general industrial equipment, high speed fans and blowers and heavier duty power transmission and material handling equipment.

Super-finished Raceways

- Provides a cool running, quiet, high-speed and high-load capacity bearing

Spyglass Optical Strain Sensor (OSS)

- Provides instant feedback for optimal shaft grip
- Eliminates damage to the shaft and bearing because of improper tightness on the mounting.
- Quick installation: Simply tighten collar until the Spyglass shows a back-to-color pattern.

Seal Choice

- Choice of steel-clad molded type H clearance seal or type N double lip seal.

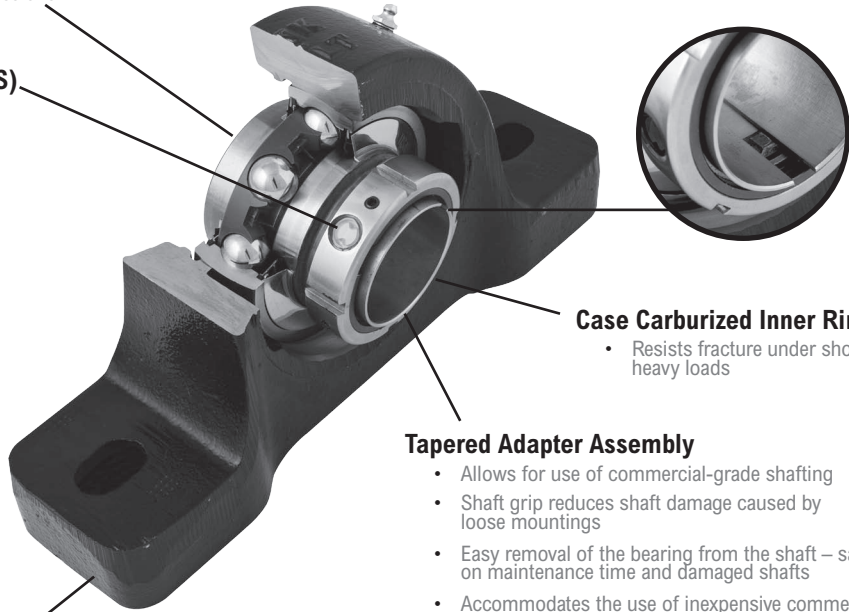
Wide Inner Ring

- Wide inner ring is for greater contact surface between shaft and bearing.

Prelubricated and Relubricatable

Positive Locking System

- Minimizes vibration; does not require mounting inspections



Rugged One-piece Housing

Case Carburized Inner Ring

- Resists fracture under shock and heavy loads

Tapered Adapter Assembly

- Allows for use of commercial-grade shafting
- Shaft grip reduces shaft damage caused by loose mountings
- Easy removal of the bearing from the shaft – saves on maintenance time and damaged shafts
- Accommodates the use of inexpensive commercial grade shafting

Heavy Duty Ball Bearings

Heavy series precision alignable ball bearings of deep groove construction with larger balls and thicker rings for high capacity and longer life. The extra inner ring width furnishes ultimate shaft and load support and concentricity for high speed precision application.

The spring locking collar design provides a secure grip of the wide inner ring bearing to the shaft. The two set screws extend through the inner ring of the bearing and lock firmly into the shaft. Tightening the two set screws produces elastic strain in the spring locking collar resulting in a continuous pressure on the shaft.

The eccentric cam locking collar design provides a secure grip of the wide inner ring bearing to the shaft and further tightens with bearing rotation. The adapter mount design provides better concentricity and shaft control, increasing service life. The adapter mount allows for easy installation/removal and enables the use of commercial grade shafting.

Furnished with anti-rotation pin in the outer ring to prevent the outer ring from spinning in the bearing housing.

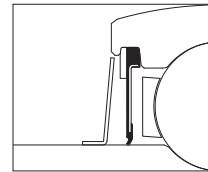
One-piece Cast Iron Housings

Compact, one-piece cast iron housings provide strength with minimum size and weight, and excellent rigidity. All housings are designed with standard mounting dimensions and have finished mounting surfaces for proper installation stability. Pillow blocks have slotted bolt holes with ample space provided for drilling dowel pin holes and are also available with high backing dimensions. Flanged and flanged cartridge units have drilled mounting holes. Take up units have machined slots for accurate adjustment.

Bearing Mounted Molded Rubber Seal

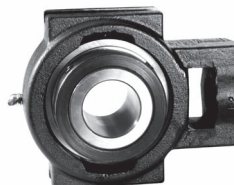
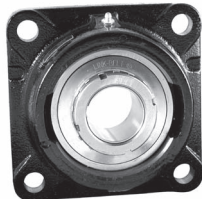
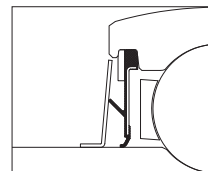
Type H Seal

These molded rubber seals effectively retain lubricant and protect against contamination. An external seal guard enhances protection against contamination and protects the molded rubber seal. A snap ring locates and retains the molded rubber seal in the outer ring to ensure proper operation. This is an excellent non-contact seal for grease lubrication.



Type N Seal

These molded rubber double lip seals have two full land riding lips that effectively retain lubricant and protect against contamination. These seals ride on a precision ground surface of the bearing inner ring for smooth operation and tightness.



300 Series Nomenclature

Symbol	Description	P	E	-U	3	K	27	J	N	C	17H	4
C	Cartridge unit											
F	Flanged unit, 4-bolt square											
FC	Flanged cartridge unit, 4-bolt round											
P	Pillow block, standard backing											
PL	Pillow block, low backing											
P2	Pillow block, high backing											
T	Take-up, slotted guides											
E	Expansion unit											
A	Bearing sealed unit, SHURLOK adapter, relubricatable											
U	Bearing sealed unit, spring locking, relubricatable											
Y	Bearing sealed unit, eccentric cam locking collar, relubricatable											
3	Series 300 ball bearing designation											
K	Adapter mounted											
27	Shaft size in sixteenths of an inch											
J	Steel retainers											
None	Steel clad clearance seal											
N	Molded double lip seals											
C	Closed end unit											
17H	Grease designation											
4	Clearance, other than standard											

Replacement Ball Bearing Nomenclature

		UG	3	K	47	N	L
AG	Wide inner ring, bearing seals, SHURLOK adapter						
UG	Wide inner ring, bearing seals, spring locking collar						
YG	Wide inner ring, bearing seals, eccentric cam locking collar						
3	Series 300 ball bearing designation						
K	Adapter mounted						
47	Shaft size in sixteenths of an inch						
None	Steel clad clearance seal						
N	Molded double lip seals						
L1	Bearing without collar						
L	Bearing with collar & setscrews						

Series 300 Ball Bearings Selection Guide

To select a bearing, determine the applied radial load, the applied thrust load, the desired Rating Life, and applicable operating conditions. The procedure shown here will aid in selecting a bearing to meet an L10 design life. The formulas for calculating life expectancy should be used to determine the Rating Life L10 for the bearing selected.

The selection procedures and rating formulas shown here are in agreement with The American Bearing Manufacturers Association Standards and ANSI/ABMA STD 9-1990. Ratings are based on fatigue life. The Rating Life L10 or fatigue life at 90% reliability is the usual basis for bearing selection. To assure a satisfactory bearing application, fitting practice, mounting, lubrication, sealing, static rating, housing strength, operating conditions and maintenance must be considered.

Steps for Selection

Step 1

Determine an appropriate L10 design life.

Type of service	Operating time, hours per year	Design life, years	L10 design life, hours
Light seasonal usage	500 to 750	3-5	3,000
Heavy seasonal usage	1,400 to 1,600	4-6	8,000
Industrial—8 hour shift	2,000	10	20,000
Industrial—16 hour shift	4,000	10	40,000
Industrial—Continuous	8,700	10	80,000 to 100,000

Step 2

Determine a required $\left(\frac{C}{P}\right)$ from Table 1.

Step 3

Calculate the required C and select a ball bearing.

a For radial load only:

$$P = F_r$$

$$\text{required } C = \left(\frac{C}{P}\right) P \text{ using } \left(\frac{C}{P}\right) \text{ from Step 2}$$

Select a ball bearing from Table 3 with a basic load rating C equal to or greater than the required C.

b For combined radial and thrust loads when $\frac{F_a}{F_r}$ is 0.19 or less:

$$P = F_r$$

$$\text{required } C = \left(\frac{C}{P}\right) P \text{ using } \left(\frac{C}{P}\right) \text{ from Step 2}$$

Select a ball bearing from Table 3 with a basic load rating C equal to or greater than the required C.

Step 3 (continued)

c For combined radial and thrust loads when $\frac{F_a}{F_r}$ is greater than 0.19, use the following trial method:

$$\text{Maximum } P = .56F_r + 2.30F_a$$

$$\text{Maximum required } C = \left(\frac{C}{P}\right) P \text{ using } \left(\frac{C}{P}\right) \text{ from Step 2}$$

Select a trial ball bearing with a basic load rating C from Table 3 approximately equal to the maximum required C.

With this trial bearing calculate: $\frac{F_a}{Nd^2}$

Determine X and Y from Table 2.

Calculate P for the trial bearing.

$$P = XF_r + YF_a$$

$$\text{required } C = \left(\frac{C}{P}\right) P \text{ for the trial bearing using } \left(\frac{C}{P}\right) \text{ from Step 2}$$

Consult Table 3, basic load rating. If a smaller bearing meets or nearly meets the required C, its life expectancy can be calculated.

Note: If the load P is greater than .25C, consult Rexnord Bearing Products.

Selection

Symbols for formulas:

- C = basic load rating, pounds (or newtons)
- Co = static load rating, pounds (or newtons)
- e = a reference value
- Fa = thrust load, pounds (or newtons)
- Fr = radial load, pounds (or newtons)
- L10 = rating life, hours
- n = speed, revolutions per minute
- P = equivalent radial load, pounds (or newtons)
- X = radial factor
- Y = thrust factor

Table 1 • Relation of L10 life and speed to $\left(\frac{C}{P}\right)$

Bearing life, hours L ₁₀	$\left(\frac{C}{P}\right)$ ratio									
	Speed, n									
	50	100	200	300	400	500	600	700	800	
3000	2.08	2.62	3.30	3.77	4.15	4.47	4.75	5.01	5.23	
4000	2.29	2.88	3.63	4.15	4.57	4.92	5.23	5.51	5.76	
5000	2.46	3.10	3.91	4.47	4.92	5.30	5.64	5.93	6.20	
6000	2.62	3.30	4.15	4.75	5.23	5.64	5.99	6.30	6.59	
8000	2.88	3.63	4.57	5.23	5.76	6.20	6.59	6.94	7.25	
10000	3.10	3.91	4.92	5.64	6.20	6.68	7.10	7.47	7.81	
12000	3.30	4.15	5.23	5.99	6.59	7.10	7.54	7.94	8.30	
14000	3.47	4.37	5.51	6.30	6.94	7.47	7.94	8.36	8.74	
16000	3.63	4.57	5.76	6.59	7.25	7.81	8.30	8.74	9.14	
18000	3.77	4.75	5.99	6.86	7.54	8.13	8.63	9.09	9.50	
20000	3.91	4.92	6.20	7.10	7.81	8.42	8.94	9.41	9.84	
25000	4.21	5.30	6.68	7.65	8.42	9.07	9.63	10.1	10.6	
30000	4.47	5.64	7.10	8.13	8.94	9.63	10.2	10.8	11.3	
35000	4.71	5.93	7.47	8.55	9.41	10.1	10.8	11.3	11.9	
40000	4.92	6.20	7.81	8.94	9.84	10.6	11.3	11.9	12.4	
45000	5.12	6.45	8.13	9.30	10.2	11.0	11.7	12.3	12.9	
50000	5.30	6.68	8.42	9.63	10.6	11.4	12.1	12.8	13.4	
60000	5.64	7.10	8.94	10.2	11.3	12.1	12.9	13.6	14.2	
70000	5.93	7.47	9.41	10.8	11.9	12.8	13.6	14.3	14.9	
80000	6.20	7.81	9.84	11.3	12.4	13.4	14.2	14.9	15.6	
90000	6.45	8.13	10.2	11.7	12.9	13.9	14.8	15.5	16.2	
100000	6.68	8.42	10.6	12.1	13.4	14.4	15.3	16.1	16.8	
150000	7.65	9.63	12.1	13.9	15.3	16.5	17.5	18.4	19.3	
200000	8.42	10.6	13.4	15.3	16.8	18.1	19.3	20.3	21.2	

	Speed, n									
	900	1000	1200	1500	1800	2400	3600	6000	10000	
3000	5.44	5.64	5.99	6.45	6.86	7.54	8.63	10.2	12.1	
4000	5.99	6.20	6.59	7.10	7.54	8.30	9.50	11.3	13.4	
5000	6.45	6.68	7.10	7.65	8.13	8.94	10.2	12.1	14.4	
6000	6.86	7.10	7.54	8.13	8.63	9.50	10.9	12.9	15.3	
8000	7.54	7.81	8.30	8.94	9.50	10.5	12.0	14.2	16.8	
10000	8.13	8.42	8.94	9.63	10.2	11.3	12.9	15.3	18.1	
12000	8.63	8.94	9.50	10.2	10.9	12.0	13.7	16.2	19.3	
14000	9.09	9.41	10.0	10.8	11.4	12.6	14.4	17.1	20.3	
16000	9.50	9.84	10.5	11.3	12.0	13.2	15.1	17.9	21.2	
18000	9.88	10.2	10.9	11.7	12.4	13.7	15.7	18.6	22.0	
20000	10.2	10.6	11.3	12.1	12.9	14.2	16.2	19.3	22.8	
25000	11.0	11.4	12.1	13.1	13.9	15.3	17.5	20.7	24.6	
30000	11.7	12.1	12.9	13.9	14.8	16.2	18.6	22.0	26.1	
35000	12.3	12.8	13.6	14.6	15.5	17.1	19.6	23.2	27.5	
40000	12.9	13.4	14.2	15.3	16.2	17.9	20.5	24.3	28.7	
45000	13.4	13.9	14.8	15.9	16.9	18.6	21.3	25.2	29.9	
50000	13.9	14.4	15.3	16.5	17.5	19.3	22.0	26.1	31.0	
60000	14.8	15.3	16.2	17.5	18.6	20.5	23.4	27.8	32.9	
70000	15.5	16.1	17.1	18.4	19.6	21.5	24.6	29.2	34.6	
80000	16.2	16.8	17.9	19.3	20.5	22.5	25.8	30.5	36.2	
90000	16.9	17.5	18.6	20.0	21.3	23.4	26.8	31.8	37.7	
100000	17.5	18.1	19.3	20.7	22.0	24.3	27.8	32.9	39.0	
150000	20.0	20.7	22.0	23.7	25.2	27.8	31.8	37.7	44.6	
200000	22.0	22.8	24.3	26.1	27.8	30.5	35.0	41.4	49.1	

Basic formula

$$\left(\frac{C}{P}\right) = \left(\frac{L_{10} \times n \times 60}{1,000,000}\right)^{1/3}$$

$$L_{10} = \frac{\left(\frac{C}{P}\right)^3 \times 1,000,000}{n \times 60}$$

Life Expectancy

To calculate the Rating Life L₁₀ of any selected or trial bearing:

Step 1 Determine the equivalent radial load P.

a For radial load only:
P = Fr

b For combined radial and thrust load:
P = XFr + YFa using X and Y from Table 2 below.

Step 2 Calculate the ratio of basic load rating C to the equivalent radial load.

$$\left(\frac{C}{P}\right)$$

Step 3 Approximate the bearing life from Table 1.

Table 2 • X and Y factors for ball bearings

Fa Nd ²	e	$\frac{F_a}{F_r} \leq e$		$\frac{F_a}{F_r} > e$	
		X	Y	X	Y
25	.19	1.0	0	.56	2.30
37.5	.21	1.0	0	.56	2.15
50	.22	1.0	0	.56	1.99
75	.24	1.0	0	.56	1.85
100	.26	1.0	0	.56	1.71
125	.27	1.0	0	.56	1.63
150	.28	1.0	0	.56	1.56
200	.30	1.0	0	.56	1.45
300	.34	1.0	0	.56	1.31
500	.38	1.0	0	.56	1.15
750	.42	1.0	0	.56	1.04
1000	.44	1.0	0	.56	1.00

For values between those in the table linear interpolation can be used.

Life Adjustment

The Rating Life, L₁₀, may be modified for some applications in accordance with the formula

$$L'n = a_1 a_2 a_3 L_{10}$$

where L'n = Adjusted life for (100-n) % reliability,

a₁ = Life adjustment factor for reliability

a₂ = Life adjustment factor for material and processing

a₃ = Life adjustment factor for operating conditions.

For most normal applications, all factors will be taken as 1, and the Rating Life used as the selection basis or life estimate. In addition, as long as standard catalog bearings are used, a₂ will be normally set equal to one. The factor a₃ covers such things as lubrication, misalignment, and temperature. Some conditions that could yield a₃ significantly different than unity include speeds less than 20000 DN or greater than 200000 DN, temperatures below -40°F (-40°C) or above 275°F (135°C). For other possible conditions, as well as additional information on life adjustment factors, consult Rexnord Bearing Products.

Table 3 • Load Ratings, Speed Limits and Ball Data

Size Code	Co Static Load Rating		C Basic Load Rating A300		C Basic Load Rating Y300, U300		C Basic Load Rating U3K00		Approximate Speed Limit RPM*		d Ball Diameter	N Number of Balls	Nd2
	newtons	pounds	newtons	pounds	newtons	pounds	newtons	pounds	Std. Seals	N Seals	inches		
312	7,890	1770	-	-	12,370	2780	-	-	10950	...	3/8	7	.984
316	10,900	2450	-	-	16,460	3700	-	-	9350	...	7/16	7	1.34
319	15,700	3530	28,110	6320	21,660	4870	-	-	8300	6100	31/64	8	1.88
323	19,100	4290	33,320	7490	25,620	5760	-	-	7550	5400	17/32	8	2.26
324	24,000	5390	-	-	31,230	7020	-	-	7200	...	19/32	8	2.82
328	31,600	7110	52,800	11870	40,750	9160	-	-	6200	4300	11/16	8	3.78
331	37,800	8500	61,830	13900	47,600	10700	61830	13900	5600	3900	3/4	8	4.50
335	44,600	10000	71,490	16070	55,200	12400	71480	16070	4950	3550	13/16	8	5.28
339	51,900	11700	81,800	18390	62,700	14100	-	-	4450	3250	7/8	8	6.12
344	68,100	15300	104,180	23420	80,100	18000	104180	23420	3950	2800	1	8	8.00
347	77,100	17300	116,280	26140	88,100	19800	113470	25510	3700	2650	1-1/16	8	9.03
351	86,600	19500	129,000	28990	93,900	21100	123000	27650	3400	...	1-1/8	8	10.1
356	107,200	24100	156,000	35070	109,400	24600	142700	32080	3100	...	1-1/4	8	12.5
363	140,500	31600	200,180	45000	133,400	30000	173100	38910	2750	...	1-7/16	8	16.5

If the load P is greater than .25C consult Rexnord Bearing Division.

*Based on grease lubrication and moderate load.

Table 4 • Radial Load Ratings In Pounds At Various RPM For Appropriate L₁₀ Life Hours

Bearing Size Number		Radial Load Ratings, Pounds																	
Size Code	L ₁₀ Minimum life, hours	Speed, RPM																	
		50	100	200	300	400	500	600	700	800	900	1000	1200	1500	1800	2000	2500	3000	3500
312	8000	607	530	482	447	421	400	382	368	355	334	310	292	282	262	246	234
	20000	...	564	447	391	355	330	310	295	282	271	262	246	229	215	208	193	181	172
	40000	564	447	355	310	282	262	246	234	224	215	208	195	181	171	165	153	144	137
100000	415	330	262	229	208	193	181	172	165	158	153	144	134	126	121	113	106	101	
316	8000	808	706	641	595	560	532	509	489	473	445	413	388	375	348	328	311
	20000	...	750	595	520	473	439	413	392	375	361	348	328	304	286	276	257	241	229
	40000	750	595	473	413	375	348	328	311	298	286	276	260	241	227	219	204	192	182
100000	553	439	348	304	276	257	241	229	219	211	204	192	178	167	162	150	141	134	
319	8000	1064	929	844	784	737	701	670	644	622	585	543	511	494	458	431	410
	20000	...	987	784	685	622	577	543	516	494	475	458	431	400	377	364	338	318	302
	40000	987	784	622	543	494	458	431	410	392	377	364	342	318	299	289	268	252	240
100000	727	577	458	400	364	338	318	302	289	278	268	252	234	220	213	197	186	177	
323	8000	1258	1099	998	927	872	829	792	762	736	692	643	605	584	542	510	485
	20000	...	1168	927	810	736	683	643	610	584	561	542	510	474	446	430	399	376	357
	40000	1168	927	736	643	584	542	510	485	463	446	430	405	376	354	341	317	298	283
100000	860	683	542	474	430	399	376	357	341	328	317	298	277	261	252	234	220	209	
324	8000	1533	1339	1217	1130	1063	1010	966	929	897	844	783	737	712	661	622	591
	20000	...	1423	1130	987	897	832	783	744	712	684	661	622	577	543	524	487	458	435
	40000	1423	1130	897	783	712	661	622	591	565	543	524	493	458	431	416	386	364	345
100000	1049	832	661	577	524	487	458	435	416	400	386	364	337	318	307	285	268	254	
328	8000	2000	1748	1588	1474	1387	1318	1260	1212	1170	1101	1022	962	929	862	811	771
	20000	...	1857	1474	1288	1170	1086	1022	971	929	893	862	811	753	709	684	635	598	568
	40000	1857	1474	1170	1022	929	862	811	771	737	709	684	644	598	562	543	504	474	451
100000	1368	1086	862	753	684	635	598	568	543	522	504	474	440	414	400	371	350	332	
331	8000	2337	2041	1855	1722	1620	1539	1472	1415	1367	1286	1194	1123	1085	1007	948	900
	20000	...	2169	1722	1504	1367	1269	1194	1134	1085	1043	1007	948	880	828	799	742	698	663
	40000	2169	1722	1367	1194	1085	1007	948	900	861	828	799	752	698	657	634	589	554	526
100000	1598	1269	1007	880	799	742	698	663	634	610	589	554	514	484	467	434	408	388	
335	8000	2708	2366	2149	1995	1878	1784	1706	1640	1584	1490	1383	1302	1257	1167	1098	1043
	20000	...	2514	1995	1743	1584	1470	1383	1314	1257	1209	1167	1098	1019	959	926	860	809	769
	40000	2514	1995	1584	1383	1257	1167	1098	1043	998	959	926	872	809	761	735	682	642	610
100000	1852	1470	1167	1019	926	860	809	769	735	707	682	642	596	561	542	503	473	449	
339	8000	3079	2690	2444	2269	2135	2028	1940	1865	1801	1695	1573	1480	1429	1327	1249	1191
	20000	...	2859	2269	1982	1801	1672	1573	1494	1429	1374	1327	1249	1159	1091	1053	978	920	873
	40000	2859	2269	1801	1573	1429	1327	1249	1186	1134	1091	1053	991	920	866	836	776	730	693
100000	2106	1672	1327	1159	1053	978	920	874	836	804	776	730	678	638	616	572	538	508	
344	8000	3931	3434	3120	2896	2726	2589	2476	2381	2299	2163	2008	1890	1825	1694	1604	1524
	20000	...	3649	2896	2530	2299	2134	2008	1908	1825	1754	1694	1594	1480	1392	1344	1248	1174	1114
	40000	3649	2896	2299	2008	1825	1694	1594	1514	1448	1392	1344	1265	1174	1105	1067	991	931	884
100000	2689	2134	1694	1480	1344	1248	1174	1116	1067	1026	991	932	865	814	786	730	684	644	
347	8000	4324	3778	3432	3186	2998	2848	2724	2619	2529	2380	2209	2079	2007	1863	1774	1694
	20000	...	4014	3186	2783	2529	2348	2209	2098	2007	1930	1863	1753	1628	1532	1479	1373	1294	1224
	40000	4014	3186	2529	2209	2007	1863	1753	1666	1593	1532	1479	1392	1292	1216	1174	1090	1024	964
100000	2958	2348	1863	1628	1479	1373	1292	1227	1174	1129	1090	1025	952	896	865	803	754	704	
351	8000	4608	4026	3657	3395	3195	3035	2903	2791	2695	2536	2354	2215	2139	1986	1896	1816
	20000	...	4278	3395	2966	2695	2502	2354	2236	2139	2057	1986	1869	1735	1632	1576	1463	1386	1316
	40000	4278	3395	2695	2354	2139	1986	1869	1775	1698	1632	1576	1483	1377	1296	1251	1161	1094	1034
100000	3152	2502	1986	1735	1576	1463	1377	1308	1251	1203	1161	1093	1014	955	922	856	807	757	
356	8000	5373	4693	4264	3959	3725	3539	3384	3254	3142	2957	2745	2583	2494	2284	2194	2114
	20000	...	4987	3959	3458	3142	2917	2745	2607	2494	2398	2315	2178	2022	1903	1837	1704	1614	1534
	40000	4987	3959	3142	2745	2494	2315	2178	2069	1979	1903	1837	1729	1605	1510	1458	1344	1274	1214
100000	3675	2917	2315	2022	1837	1706	1605	1525	1458	1402	1354	1274	1183	1113	1075	1004	944	894	
363	8000	6552	5724	5200	4827	4543	4315	4127	3969	3832	3606	3347	3150	3041	2784	2694	2614
	20000	...	6082	4827	4217	3832	3557	3347	3180	3041	2924	2823	2657	2466	2321	2241	2064	1974	1894
	40000	6082	4827	3832	3347	3041	2823	2657	2524	2414	2321	2241	2109	1957	1842	1778	1644	1574	1514
100000	4481	3557	2823	2466	2241	2080	1957	1859	1778	1710	1651	1554	1442	1357	1310	1214	1144	1084	

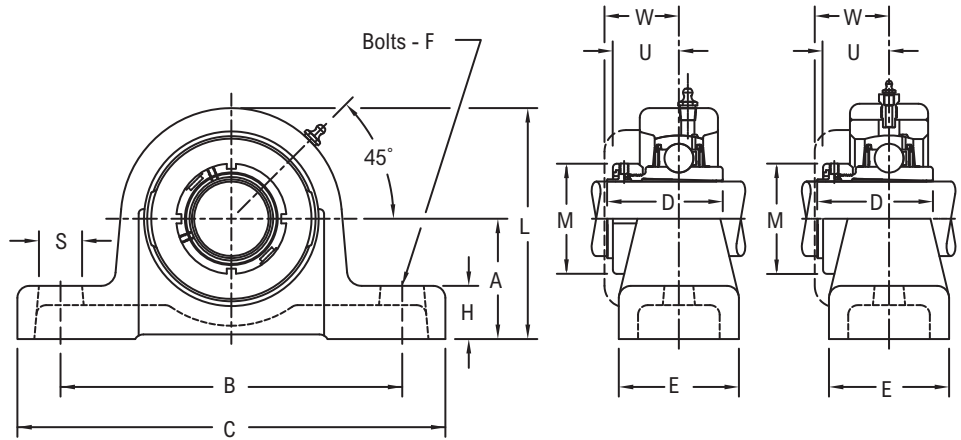
* Load exceeds 25% of the C rating, consult Rexnord Bearing Division.

PA300, PEA300



Product Features

- Spyglass™ Optical Strain Sensor (OSS) Technology
- Positive locking system
- Tapered adapter sleeve
- Corrosion-resistant powder coating
- Cast iron housing
- Fixed or Expansion - Up to 3/8 in expansion
- Alignable & relubricatable
- See Features & Benefits for additional info.



Bearing Dimensions

Size Code	Shaft Diameter	Expansion		Fixed		A Base to Centerline Height	B Distance Between Bolt Holes	C	D	E	F	H	M	S	Total Axial Expansion	Approx. Weight
		Part Number	L	Part Number	L											
319	1 3/16	PEA319	4 1/4	PA319	4 1/16	2 1/8	6 7/16	8 1/4	2 3/4	2 1/4	1/2	15/16	2 5/32	1 1/16	3/16	5.50
323	1 7/16	PEA323	4 11/16	PA323	4 1/2	2 3/8	7 3/8	9 1/4	2 47/64	2 3/8	5/8	1	2 3/8	1 1/8	3/16	7.77
328	1 11/16	PEA327	5 5/8	PA327	5 1/2	2 7/8	8 1/4	10 1/4	3 1/8	3	5/8	1 5/16	2 41/64	1 1/8	3/16	13.35
331	1 15/16	PEA331	6 7/32	PA331	6	3 1/8	8 7/8	11 1/8	3 7/32	3 1/8	5/8	1 3/8	2 55/64	1 1/8	1/4	16.00
335	2 3/16	PEA335	6 13/16	PA335	6 5/8	3 1/2	10 1/4	12 5/8	3 23/64	3 3/8	3/4	1 1/2	3 15/64	1 1/4	9/32	24.00
339	2 7/16	PEA339	7 3/16	PA339	7 1/8	3 5/8	11 1/4	13 3/4	3 27/32	3 1/2	3/4	1 5/8	3 19/32	1 3/8	9/32	27.00
344	2 11/16	PEA343	7 15/16	PA343	7 3/4	4	11 13/16	14 5/8	4 1/4	3 3/4	7/8	1 5/8	4 3/32	1 5/8	7/32	36.00
	2 3/4	PEA344		PA344												
347	2 15/16	PEA347	8 3/8	PA347	8 3/8	4 1/4	12	15 1/8	4 17/32	4	7/8	1 3/4	4 3/32	1 5/8	7/32	44.00
351	3 3/16	PEA351	9	PA351	9	4 9/16	12 1/4	15 3/8	5 1/2	4 5/16	7/8	1 15/16	4 61/64	1 5/8	11/32	55.00
356	3 7/16	PEA355	10 1/16	PA355	9 7/8	5 1/8	12 7/8	16 1/8	5 23/64	5	1	2 1/4	4 61/64	1 5/8	11/32	68.00
363	3 15/16	PEA363	11 1/16	PA363	11 1/16	5 11/16	14 1/2	17 5/16	5 29/32	5	1	2 9/16	5 43/64	1 1/2	11/32	98.00

Additional Notes

- Please call 1-866-REXNORD for availability
- Lubrication fitting tap size: for expansion units with shaft sizes 2 7/16 in and below, 1/4 in-28 UNF; for other expansion units and all fixed units, 1/8 in PT
- Base to centerline tolerance, +0.000 in/-0.010 in (+0.00 mm/-0.25 mm)
- For the Selection Guide, Load Ratings and Speed Limits, see the Link-Belt Heavy Duty Ball Bearing Engineering section
- Note: Dimensions subject to change. Certified dimensions of ordered material furnished on request.

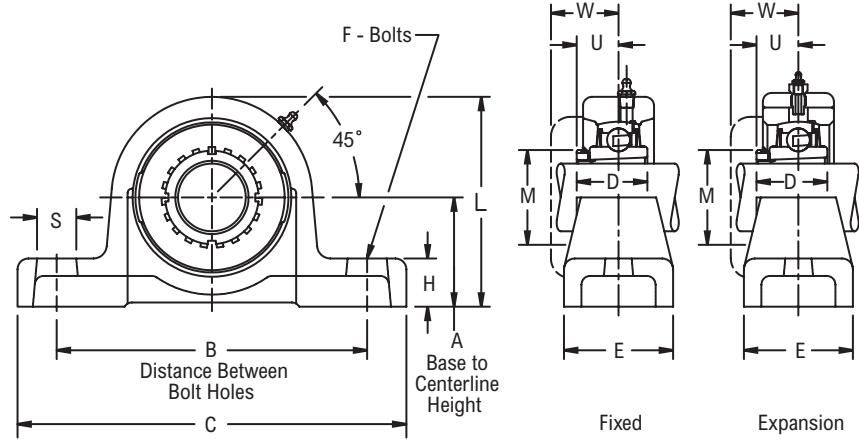
PU3K00, PEU3K00



Photo Shows a 2-Bolt Ball Bearing Pillow Block Unit

Product Features

- Corrosion-resistant powder coating
- Cast iron housing
- Enhanced life mounting style
- Fixed or Expansion - Up to 11/32 in expansion
- Alignable & relubricatable
- See Features & Benefits for additional info.



Bearing Dimensions

Size Code	Shaft Diameter	Expansion		Fixed		A Base to Centerline Height	B Distance Between Bolt Holes	C	D	E	F	H	M	S	U	W	Total Axial Expansion	Approx. Weight
		Part Number	L	Part Number	L													
331	1 11/16	PEU3K27	6 7/32	PU3K27	6	3 1/8	8 7/8	11 1/8	2 17/32	3 1/8	5/8	1 3/8	2 11/16	1 1/8	1 35/64	1 27/32	1/4	17.00
335	1 15/16	PEU3K31	6 13/16	PU3K31	6 5/8	3 1/2	10 1/4	12 5/8	2 19/32	3 3/8	3/4	1 1/2	2 31/32	1 1/4	1 43/64	1 31/32	9/32	23.00
344	2 3/16	PEU3K35	7 15/16	PU3K35	7 3/4	4	11 13/16	14 5/8	3 1/32	3 3/4	7/8	1 5/8	3 3/8	1 5/8	1 27/32	2 3/16	7/32	35.00
347	2 7/16	PEU3K39	8 3/8	PU3K39	8 3/8	4 1/4	12	15 1/8	3 3/16	4	7/8	1 3/4	3 7/8	1 5/8	1 15/16	2 7/16	7/32	41.00
351	2 11/16	PEU3K43	9	PU3K43	9	4 9/16	12 1/4	15 3/8	3 5/16	4 5/16	7/8	1 15/16	4 5/32	1 5/8	2 1/4	2 5/8	11/32	50.00
356	2 15/16	PEU3K47	10 1/16	PU3K47	9 7/8	5 1/8	12 7/8	16 1/8	3 17/32	5	1	2 1/4	4 13/32	1 5/8	2 3/8	2 3/4	11/32	60.00
363	3 7/16	PEU3K55	11 1/16	PU3K55	11 1/16	5 11/16	14 1/2	17 5/16	3 31/32	5	1	2 9/16	5 3/16	1 1/2	2 29/32	3 9/32	11/32	82.00

Additional Notes

- Please call 1-866-REXNORD for availability
- Lubrication fitting tap size: for expansion units with shaft sizes 1 15/16 in and below, 1/4 in-28 UNF; for other expansion units and all fixed units, 1/8 in PT
- Base to centerline tolerance, +.000 in/-0.010 in (+0.00 mm/-0.25 mm)
- 1 11/16 in thru 2 7/16 in shaft sizes also available with dual contact lip seals, add suffix N
- For the Selection Guide, Load Ratings and Speed Limits, see the Link-Belt Heavy Duty Ball Bearing Engineering section

Note: Dimensions subject to change. Certified dimensions of ordered material furnished on request.

PU300, PEU300

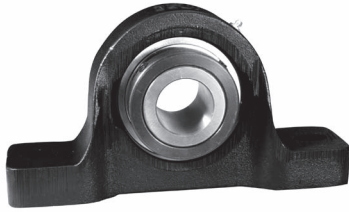
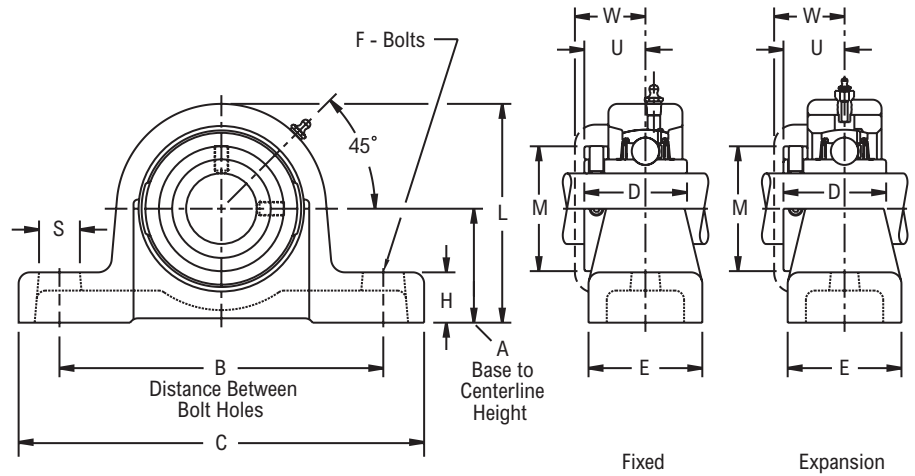


Photo Shows a 2-Bolt Ball Bearing Pillow Block Unit

Product Features

- Corrosion-resistant powder coating
- Cast iron housing
- Spring locking setscrew mount
- Fixed or Expansion - Up to 11/32 in expansion
- Alignable & relubricatable
- See Features & Benefits for additional info.



Bearing Dimensions

Size Code	Shaft Diameter	Expansion		Fixed		A Base to Centerline Height	B Distance Between Bolt Holes	C	D	E	F	H	M	S	U	W	Total Axial Expansion	Approx. Weight
		Part Number	L	Part Number	L													
312	3/4	PEU312	3 3/16	PU312	3 1/16	1 5/8	5	6 1/2	1 15/32	1 3/4	1/2	13/16	1 5/8	7/8	27/32	1 3/64	3/16	3.00
	7/8	PEU314		PU314														
316	15/16	PEU315	3 23/32	PU315	3 9/16	1 7/8	5 1/2	7	1 43/64	2	1/2	7/8	2	7/8	63/64	1 15/64	3/16	4.00
	1	PEU316		PU316														
319	1 1/8	PEU318	4 1/4	PU318	4 1/16	2 1/8	6 7/16	8 1/4	1 59/64	2 1/4	1/2	15/16	2 5/16	1 1/16	1 9/64	1 13/32	3/16	5.90
	1 3/16	PEU319		PU319														
323	1 1/4	PEU320		PU320														
	1 3/8	PEU322	4 11/16	PU322	4 1/2	2 3/8	7 3/8	9 1/4	2 3/32	2 3/8	5/8	1	2 9/16	1 1/8	1 1/4	1 1/2	3/16	7.50
324	1 7/16	PEU323		PU323														
	1 1/2	PEU324	5 7/32	PU324	5	2 5/8	8	10 1/8	2 5/16	2 5/8	5/8	1 1/4	3 1/16	1 1/4	1 25/64	1 39/64	3/16	11.50
328	1 5/8	PEU326		PU326														
	1 11/16	PEU327	5 5/8	PU327	5 1/2	2 7/8	8 1/4	10 1/4	2 19/32	3	5/8	1 5/16	3 1/4	1 1/8	1 35/64	1 27/32	3/16	13.00
331	1 3/4	PEU328		PU328														
	1 15/16	PEU331	6 7/32	PU331	6	3 1/8	8 7/8	11 1/8	2 13/16	3 1/8	5/8	1 3/8	3 7/16	1 1/8	1 43/64	1 31/32	1/4	17.20
335	2	PEU332		PU332														
	2 1/8	PEU334	6 13/16	PU334	6 5/8	3 1/2	10 1/4	12 5/8	3 1/16	3 3/8	3/4	1 1/2	3 15/16	1 1/4	1 27/32	2 3/16	9/32	21.50
339	2 3/16	PEU335		PU335														
	2 1/4	PEU336	7 3/16	PU336	7 1/8	3 5/8	11 1/4	13 3/4	3 5/16	3 1/2	3/4	1 5/8	4 3/16	1 3/8	1 15/16	2 7/16	9/32	27.50
344	2 7/16	PEU339		PU339														
	2 11/16	PEU343	7 15/16	PU343	7 3/4	4	11 13/16	14 5/8	3 13/16	3 3/4	7/8	1 5/8	4 3/4	1 5/8	2 1/4	2 5/8	7/32	39.00
347	2 3/4	PEU344		PU344														
	2 15/16	PEU347	8 3/8	PU347	8 3/8	4 1/4	12	15 1/8	4 3/32	4	7/8	1 3/4	4 15/16	1 5/8	2 3/8	2 3/4	7/32	44.50
351	3	PEU348	9	PU348	9	4 9/16	12 1/4	15 3/8	4 13/32	4 5/16	7/8	1 15/16	5 11/16	1 5/8	2 19/32	3	11/32	53.00
	3 3/16	PEU351		PU351														
356	3 7/16	PEU355	10 1/16	PU355	9 7/8	5 1/8	12 7/8	16 1/8	4 15/16	5	1	2 1/4	6	1 5/8	2 29/32	3 9/32	11/32	70.00
	3 1/2	PEU356		PU356														
363	3 15/16	PEU363	11 1/16	PU363	11 1/16	5 11/16	14 1/2	17 5/16	5 9/16	5	1	2 9/16	7	1 1/2	3 9/32	3 11/16	11/32	98.00

Additional Notes

- Please call 1-866-REXNORD for availability
- Lubrication fitting tap size: for expansion units with shaft sizes 2 7/16 in and below, 1/4 in-28 UNF; for other expansion units and all fixed units, 1/8 in PT
- Base to centerline tolerance, +.000 in/-0.010 in (+0.00 mm/-0.25 mm)
- 1 1/8 in thru 1 7/16 in & 1 5/8 in thru 2 15/16 in shaft sizes also available with dual contact lip seals, add suffix N
- For the Selection Guide, Load Ratings and Speed Limits, see the Link-Belt Heavy Duty Ball Bearing Engineering section

Note: Dimensions subject to change. Certified dimensions of ordered material furnished on request.

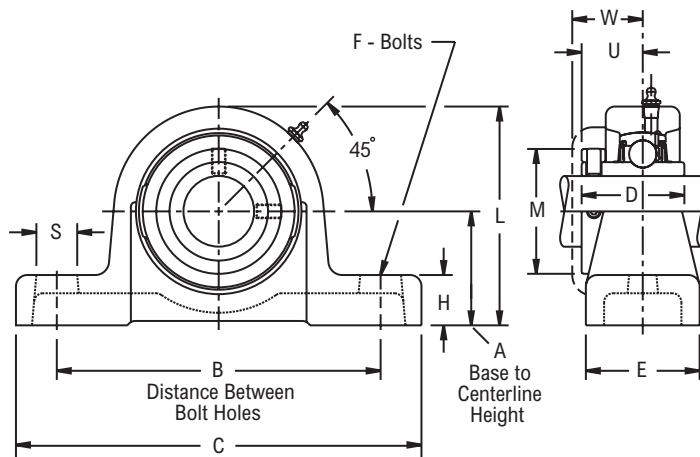
P2U300



Photo Shows a 2-Bolt Ball Bearing Pillow Block Unit

Product Features

- Corrosion-resistant powder coating
- Cast iron housing
- Spring locking setscrew mount
- Alignable & relubricatable
- High base to center height
- See Features & Benefits for additional info.



Bearing Dimensions

Size Code	Shaft Diameter	Part Number	A Base to Centerline Height	B Distance Between Bolt Holes	C	D	E	F	H	L	M	S	U	W	Approx. Weight
316	7/8	P2U314	2	5 1/2	7	1 43/64	2	1/2	7/8	3 11/16	2	7/8	63/64	1 15/64	4.20
	15/16	P2U315													
	1	P2U316													
319	1 1/8	P2U318	2 3/8	6 5/8	8 1/4	1 59/64	2 3/8	1/2	7/8	4 5/16	2 5/16	1	1 9/64	1 13/32	6.50
	1 3/16	P2U319													
323	1 1/4	P2U320	2 3/4	8 1/4	10 1/8	2 3/32	2 3/4	5/8	15/16	4 7/8	2 9/16	1 1/8	1 1/4	1 1/2	8.90
	1 3/8	P2U322													
	1 7/16	P2U323													
328	1 5/8	P2U326	3 1/8	9	11	2 19/32	3	5/8	1 3/16	5 3/4	3 1/4	1 1/8	1 35/64	1 27/32	14.00
	1 11/16	P2U327													
	1 3/4	P2U328													
335	2	P2U332	3 3/4	10 1/4	12 5/8	3 1/16	3 3/8	3/4	1 7/16	6 7/8	3 15/16	1 3/8	1 27/32	2 3/16	22.90
	2 1/8	P2U334													
	2 3/16	P2U335													
339	2 1/4	P2U336	4 1/8	11 1/4	13 3/4	3 5/16	4	3/4	1 1/2	7 1/2	4 3/16	1 3/8	1 15/16	2 7/16	31.10
	2 7/16	P2U339													
344	2 11/16	P2U343	4 9/16	12	14 13/16	3 13/16	4 3/8	7/8	1 3/4	8 7/16	4 3/4	1 3/8	2 1/4	2 5/8	44.00
	2 3/4	P2U344													
347	2 15/16	P2U347	4 9/16	12 3/8	15 3/8	4 3/32	4 3/8	7/8	1 7/8	8 11/16	4 15/16	1 3/8	2 3/8	2 3/4	47.20

Additional Notes

- Please call 1-866-REXNORD for availability
- Lubrication fitting tap size, 1/8 in PT
- Base to centerline tolerance, +.000 in/-0.010 in (**+0.00 mm/-0.25 mm**)
- 1 1/8 in thru 1 7/16 in & 1 5/8 in thru 2 15/16 in shaft sizes also available with dual contact lip seals, add suffix N
- For the Selection Guide, Load Ratings and Speed Limits, see the Link-Belt Heavy Duty Ball Bearing Engineering section
- Note: Dimensions subject to change. Certified dimensions of ordered material furnished on request.

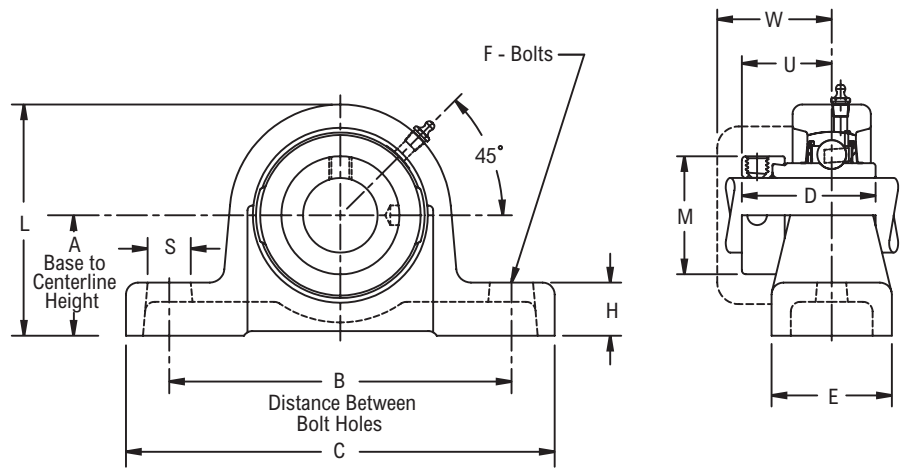
PLY300



Photo Shows a 2-Bolt Ball Bearing Pillow Block Unit

Product Features

- Corrosion-resistant powder coating
- Cast iron housing
- Eccentric cam locking device
- Alignable & relubricatable
- See Features & Benefits for additional info.



Bearing Dimensions

Size Code	Shaft Diameter	Part Number	A Base to Centerline Height	B Distance Between Bolt Holes	C	D	E	F	H	L	M	S	U	Approx. Weight
319	1 3/16	PLY319N	1 7/8	5 3/8	6 13/16	2 1/32	1 15/16	1/2	7/8	3 11/16	1 15/16	3/4	1 1/4	4.60
323	1 7/16	PLY323N	2 1/8	6	7 9/16	2 5/32	2 1/8	1/2	15/16	4 3/32	2 3/16	3/4	1 5/16	5.90
328	1 11/16	PLY327N	2 5/8	7 1/2	9 7/16	2 9/16	2 5/8	5/8	1 3/16	5 1/8	2 3/4	1	1 33/64	11.30
331	1 15/16	PLY331N	2 13/16	8 1/4	10 7/16	2 25/32	2 7/8	5/8	1 5/16	5 9/16	3	1	1 41/64	15.00
335	2 3/16	PLY335N	3 1/16	9	11 5/16	2 15/16	3 1/8	3/4	1 7/16	6 1/32	3 1/4	1 1/8	1 23/32	18.50
339	2 7/16	PLY339N	3 5/16	9 3/4	12 5/16	3 5/32	3 5/16	3/4	1 1/2	6 17/32	3 1/2	1 1/8	1 25/32	23.20
344	2 11/16	PLY343N	3 13/16	11 1/4	14 3/16	3 9/16	3 13/16	7/8	1 3/4	7 9/16	4	1 5/16	2	36.10
347	2 15/16	PLY347N	4 1/8	12	15 1/8	3 15/16	4 1/16	7/8	1 7/8	8 1/8	4 7/16	1 5/16	2 7/32	43.40

Additional Notes

- Please call 1-866-REXNORD for availability
- Lubrication fitting tap size, 1/8 in PT
- Base to centerline tolerance, +.000 in/-0.010 in (+0.00 mm/-0.25 mm)
- N dual contact lip seals standard
- For the Selection Guide, Load Ratings and Speed Limits, see the Link-Belt Heavy Duty Ball Bearing Engineering section
- Note: Dimensions subject to change. Certified dimensions of ordered material furnished on request.

FU3K00, FEU3K00

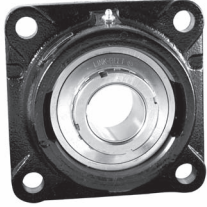
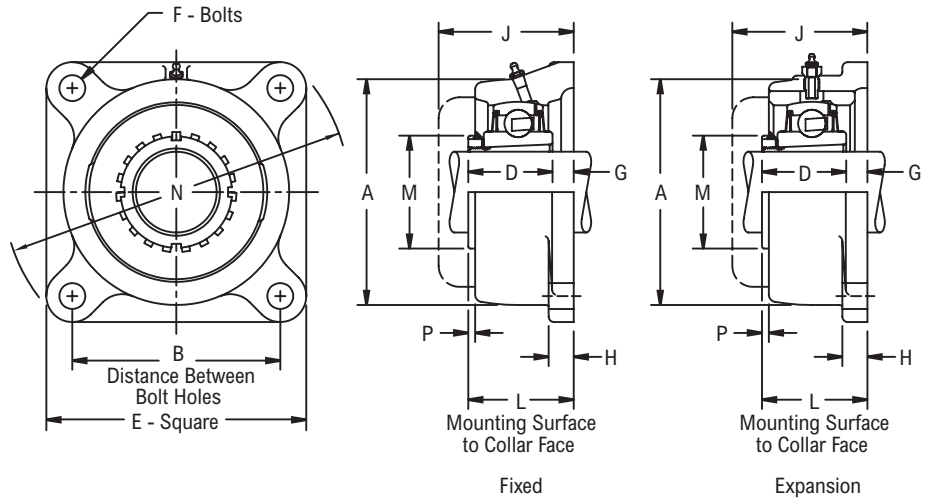


Photo Shows a 4-Bolt Ball Bearing Flanged Unit

Product Features

- Corrosion-resistant powder coating
- Cast iron housing
- Enhanced life mounting style
- Fixed or Expansion - Up to 11/32 in expansion
- Alignable & relubricatable
- See Features & Benefits for additional info.



Bearing Dimensions

Size Code	Shaft Diameter	Expansion		Fixed		B Distance Between Bolt Holes	L Mounting Surface to Collar Face	D	E	F	G	H	J	M	N	P	Total Axial Expansion	Approx. Weight
		Part Number	A	Part Number	A													
331	1 11/16	FEU3K27	5 15/16	FU3K27	5 1/2	5 1/8	2 27/32	2 17/32	6 1/2	5/8	21/64	11/16	3 17/64	2 11/16	8 5/8	17/32	1/4	12.00
335	1 15/16	FEU3K31	6 3/8	FU3K31	6	5 3/4	2 61/64	2 19/32	7 5/16	3/4	23/64	3/4	3 9/16	2 31/32	9 11/16	25/64	9/32	17.60
344	2 3/16	FEU3K35	7 3/4	FU3K35	7 5/16	7	3 35/64	3 1/32	8 7/8	7/8	17/32	7/8	4 11/32	3 3/8	11 25/32	21/64	7/32	26.90
347	2 7/16	FEU3K39	8 1/4	FU3K39	7 7/8	7 1/4	3 7/8	3 3/16	9 1/16	7/8	11/16	7/8	4 11/16	3 7/8	12 1/16	7/32	7/32	30.80
356	2 15/16	FEU3K47	9 7/8	FU3K47	9 1/4	8 1/2	4 3/8	3 17/32	11	1	27/32	1 1/4	5 17/32	4 13/32	14 17/32	7/32	11/32	49.70
363	3 7/16	FEU3K55	10 15/16	FU3K55	10 3/8	9 1/2	4 59/64	3 31/32	12 1/8	1 1/8	15/16	1 3/8	6 3/16	5 3/16	16 1/16	15/64	11/32	65.30

Additional Notes

- Please call 1-866-REXNORD for availability
- Lubrication fitting tap size: for expansion units with shaft sizes 1 15/16 in and below, 1/4 in-28 UNF; for other expansion units and all fixed units, 1/8 in PT
- 1 11/16 in thru 2 7/16 in shaft sizes also available with dual contact lip seals, add suffix N
- Selection Guide, see Link-Belt Heavy Duty Ball Bearing Selection Guide section
- For the Selection Guide, Load Ratings and Speed Limits, see the Link-Belt Heavy Duty Ball Bearing Engineering section
- Note: Dimensions subject to change. Certified dimensions of ordered

material furnished on request.

FU300, FEU300

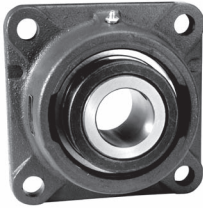
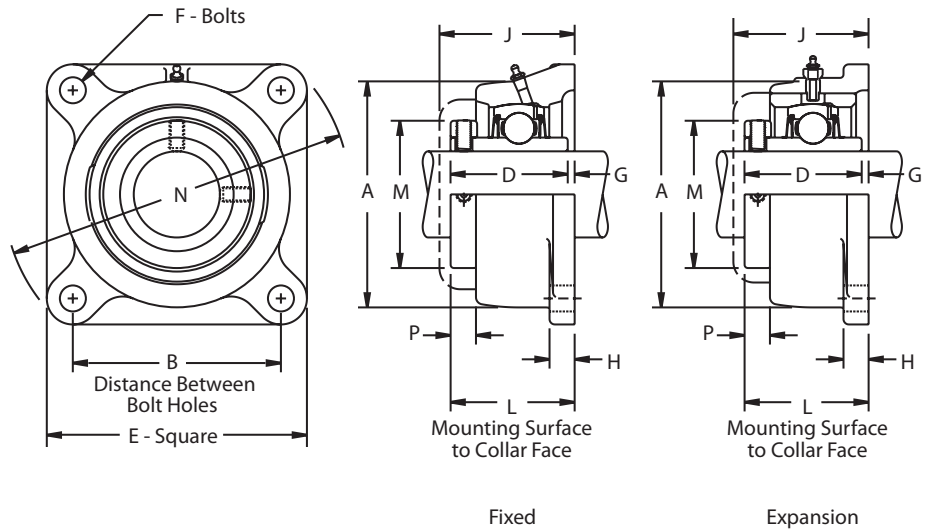


Photo Shows a 4-Bolt Ball Bearing Flanged Unit

Product Features

- Corrosion-resistant powder coating
- Cast iron housing
- Spring locking setscrew mount
- Fixed or Expansion - Up to 11/32 in expansion
- Alignable & relubricatable
- See Features & Benefits for additional info.



Bearing Dimensions

Size Code	Shaft Diameter	Expansion		Fixed		B Distance Between Bolt Holes	L Mounting Surface to Collar Face	D	E	F	G	H	J	M	N	P	Total Axial Expansion	Approx. Weight
		Part Number	A	Part Number	A													
316	7/8	FEU314	3 11/16	FU314	3 1/4	3 1/2	1 51/64	1 43/64	4 5/8	1/2	1/8	9/16	2 3/64	2	6 1/16	19/64	3/16	4.00
	15/16	FEU315		FU315														
	1	FEU316		FU316														
319	1 1/8	FEU318	4 1/8	FU318	3 5/8	3 13/16	2 3/64	1 59/64	4 15/16	1/2	1/8	5/8	2 5/16	2 5/16	6 17/32	25/64	3/16	4.70
	1 3/16	FEU319		FU319														
323	1 1/4	FEU320	4 15/32	FU320	4 1/16	4	2 1/4	2 3/32	5 1/8	1/2	5/32	5/8	2 1/2	2 9/16	6 25/32	7/16	9/32	6.00
	1 3/8	FEU322		FU322														
	1 7/16	FEU323		FU323														
324	1 1/2	FEU324	5	FU324	4 9/16	4 5/8	2 15/32	2 5/16	6	5/8	5/32	5/8	2 11/16	3 1/16	7 29/32	1/2	9/32	8.50
	1 5/8	FEU326		FU326														
328	1 11/16	FEU327	5 1/2	FU327	5	4 7/8	2 3/4	2 19/32	6 1/4	5/8	5/32	11/16	3 3/64	3 1/4	8 9/32	35/64	3/16	10.20
	1 3/4	FEU328		FU328														
	1 15/16	FEU331		FU331														
331	2	FEU332	5 15/16	FU332	5 1/2	5 1/8	2 31/32	2 13/16	6 1/2	5/8	5/32	11/16	3 17/64	3 7/16	8 5/8	37/64	1/4	12.20
	2 1/8	FEU334		FU334														
	2 3/16	FEU335		FU335														
335	2 1/8	FEU334	6 3/8	FU334	6	5 3/4	3 7/32	3 1/16	7 5/16	3/4	5/32	3/4	3 9/16	3 15/16	9 11/16	21/32	9/32	16.50
	2 3/16	FEU335		FU335														
339	2 1/4	FEU336	6 13/16	FU336	6 3/8	6	3 15/32	3 5/16	7 5/8	3/4	5/32	3/4	3 31/32	4 3/16	10 1/8	21/32	9/32	19.20
	2 7/16	FEU339		FU339														
344	2 11/16	FEU343	7 3/4	FU343	7 5/16	7	3 31/32	3 13/16	8 7/8	7/8	5/32	7/8	4 11/32	4 3/4	11 25/32	3/4	7/32	30.00
	2 3/4	FEU344		FU344														
347	2 15/16	FEU347	8 1/4	FU347	7 7/8	7 1/4	4 5/16	4 3/32	9 1/16	7/8	7/32	7/8	4 11/16	4 15/16	12 1/16	7/8	7/32	33.50
	3 1/16	FEU355		FU355														
356	3 1/16	FEU355	9 7/8	FU355	9 1/4	8 1/2	5 5/32	4 15/16	11	1	7/32	1 1/4	5 17/32	6	14 17/32	1	11/32	58.00
	3 1/2	FEU356		FU356														
363	3 15/16	FEU363	10 15/16	FU363	10 3/8	9 1/2	5 25/32	5 9/16	12 1/8	1 1/8	7/32	1 3/8	6 3/16	7	16 1/16	1 3/32	11/32	78.00

Additional Notes

- Please call 1-866-REXNORD for availability
- Lubrication fitting tap size: for expansion units with shaft sizes 2 7/16 in and below, 1/4 in-28 UNF; for other expansion units and all fixed units, 1/8 in PT
- 1 1/8 in thru 1 7/16 in & 1 5/8 in thru 2 15/16 in shaft sizes also available with dual contact lip seals, add suffix N
- For the Selection Guide, Load Ratings and Speed Limits, see the Link-Belt Heavy Duty Ball Bearing Engineering section
- Note: Dimensions subject to change. Certified dimensions of ordered material furnished on request.

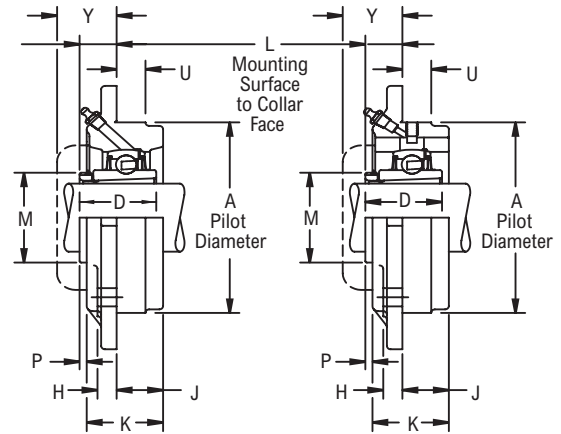
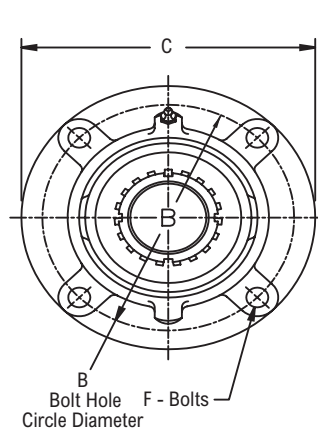
FCU3K00, FCEU3K00



Photo Shows a 4-Bolt Ball Bearing Flanged Cartridge Unit

Product Features

- Corrosion-resistant powder coating
- Cast iron housing
- Enhanced life mounting style
- Fixed or Expansion - Up to 13/32 in expansion
- Alignable & relubricatable
- See Features & Benefits for additional info.



Fixed

Expansion

Bearing Dimensions

Size Code	Shaft Diameter	Expansion		Fixed		A Pilot Diameter	B Bolt Hole Circle Diameter	L Mounting Surface to Collar Face	C	D	F	H	J	K	M	P	U	Y	Total Axial Expansion	Approx. Weight
		Part Number	Part Number																	
331	1 11/16	FCEU3K27	FCU3K27	6.000	7	1 5/16	8 1/8	2 17/32	1/2	9/16	1 13/64	2 1/8	2 11/16	39/64	7/8	1 23/32	1/4	14.80		
335	1 15/16	FCEU3K31	FCU3K31	6.375	7 5/8	1 17/64	9	2 19/32	5/8	5/8	1 5/16	2 9/32	2 31/32	25/64	15/16	1 7/8	1/4	20.90		
344	2 3/16	FCEU3K35	FCU3K35	7.750	9	1 29/64	10 3/8	3 1/32	5/8	3/4	1 9/16	2 27/32	3 3/8	3/8	1 1/8	2 1/4	13/32	30.50		
347	2 7/16	FCEU3K39	FCU3K39	8.250	9 1/2	1 9/16	10 7/8	3 3/16	5/8	3/4	1 5/8	3 1/8	3 7/8	5/16	1 1/8	2 3/8	13/32	31.80		
356	2 15/16	FCEU3K47	FCU3K47	9.875	11 3/8	1 5/8	12 7/8	3 17/32	3/4	7/8	1 29/32	3 11/16	4 13/32	7/32	1 1/4	2 25/32	13/32	55.00		
363	3 7/16	FCEU3K55	FCU3K55	11.000	12 1/2	1 59/64	14	3 31/32	3/4	7/8	2 1/16	4 7/32	5 3/16	15/64	1 3/8	3 3/16	13/32	71.40		

Additional Notes

- Please call 1-866-REXNORD for availability
- Lubrication fitting tap size, 1/8 in PT
- Pilot Diameter tolerance, +.000 in/-.002 in (+0.00 mm/-0.05 mm)
- Bore tolerance for mounting, +.002 in/-.000 in (+0.05 mm/-0.00 mm)
- 1 11/16 in thru 2 7/16 in shaft sizes also available with dual contact lip seals, add suffix N
- For the Selection Guide, Load Ratings and Speed Limits, see the Link-Belt Heavy Duty Ball Bearing Engineering section

Note: Dimensions subject to change. Certified dimensions of ordered material furnished on request.

FCU300, FCEU300

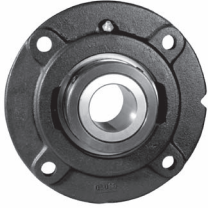
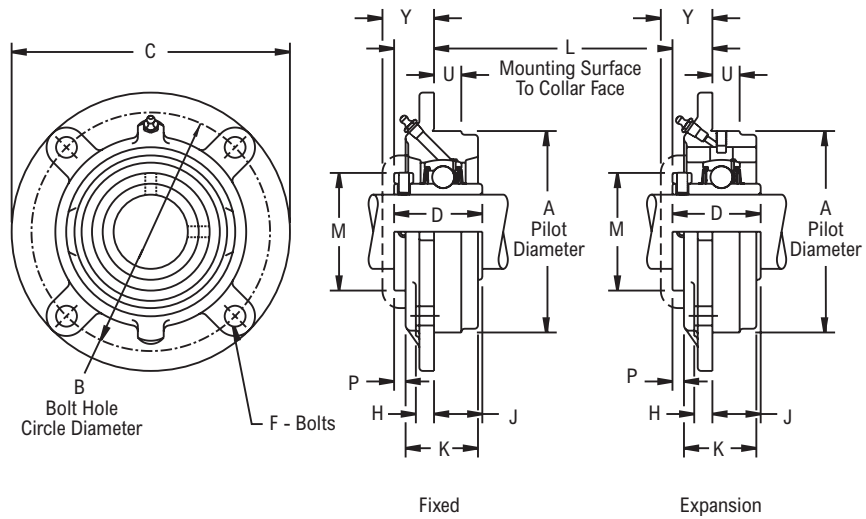


Photo Shows a 4-Bolt Ball Bearing Flanged Cartridge Unit

Product Features

- Corrosion-resistant powder coating
- Cast iron housing
- Spring locking setscrew mount
- Fixed or Expansion - Up to 13/32 in expansion
- Alignable & relubricatable
- See Features & Benefits for additional info.



Bearing Dimensions

Size Code	Shaft Diameter	Expansion / Fixed		A Pilot Diameter	B Bolt Hole Circle Diameter	L Mounting Surface to Collar Face	C	D	F	H	J	K	M	P	U	Y	Total Axial Expansion	Approx. Weight
		Part Number	Part Number															
312	3/4	-	FCU312	3.125	3 3/4	21/32	4 1/2	1 15/32	5/16	7/16	13/16	1 7/32	1 5/8	13/64	1/2	55/64	-	3.00
316	7/8	-	FCU314	3.688	4 1/2	51/64	5 3/8	1 43/64	3/8	7/16	7/8	1 5/16	2	19/64	5/8	1 3/64	-	4.50
	15/16	-	FCU315															
	1	-	FCU316															
319	1 1/8	-	FCU318	4.125	5	61/64	6	1 59/64	7/16	7/16	31/32	1 7/16	2 5/16	25/64	5/8	1 7/32	-	6.00
	1 3/16	-	FCU319															
323	1 1/4	FCEU320	FCU320	4.500	5 3/8	1	6 3/8	2 3/32	7/16	7/16	1 3/32	1 9/16	2 9/16	7/16	5/8	1 1/4	1/4	7.50
	1 3/8	FCEU322	FCU322															
	1 7/16	FCEU323	FCU323															
324	1 1/2	FCEU324	FCU324	5.000	6	1 9/64	7 1/8	2 5/16	1/2	1/2	1 11/64	1 23/32	3 1/16	1/2	5/8	1 23/64	1/4	10.00
	1 5/8	FCEU326	FCU326															
328	1 11/16	FCEU327	FCU327	5.500	6 1/2	1 19/64	7 5/8	2 19/32	1/2	1/2	1 19/64	1 59/64	3 1/4	35/64	3/4	1 19/32	1/4	12.20
	1 3/4	FCEU328	FCU328															
	1 15/16	FCEU331	FCU331															
331	2	FCEU332	FCU332	6.000	7	1 27/64	8 1/8	2 13/16	1/2	9/16	1 25/64	2 1/8	3 7/16	9/16	7/8	1 23/32	1/4	15.00
	2 1/8	FCEU334	FCU334															
335	2 3/16	FCEU335	FCU335	6.375	7 5/8	1 17/32	9	3 1/16	5/8	5/8	1 17/32	2 9/32	3 15/16	21/32	15/16	1 7/8	1/4	19.50
	2 1/4	FCEU336	FCU336															
339	2 7/16	FCEU339	FCU339	6.875	8 1/8	1 5/8	9 1/2	3 5/16	5/8	5/8	1 11/16	2 15/32	4 3/16	21/32	15/16	2 1/8	1/4	23.50
	2 11/16	FCEU343	FCU343															
344	2 3/4	FCEU344	FCU344	7.750	9	1 7/8	10 3/8	3 13/16	5/8	3/4	1 15/16	2 27/32	4 3/4	25/32	1 1/8	2 1/4	13/32	32.50
	2 15/16	FCEU347	FCU347															
347	2 25/16	FCEU347	FCU347	8.250	9 1/2	2	10 7/8	4 3/32	5/8	3/4	2 3/32	3 1/8	4 15/16	3/4	1 1/8	2 3/8	13/32	37.00
	3 7/16	FCEU355	FCU355															
356	3 1/2	FCEU356	FCU356	9.875	11 3/8	2 13/32	12 7/8	4 15/16	3/4	7/8	2 17/32	3 11/16	6	1	1 1/4	2 25/32	13/32	64.00
	3 15/16	FCEU363	FCU363															

Additional Notes

- Please call 1-866-REXNORD for availability
- Lubrication fitting tap size: for shaft sizes 1 3/16 in and below, 1/4 in-28 UNF: for all other shaft sizes, 1/8 in PT
- Pilot Diameter tolerance, +.000 in/-0.002 in (+0.00 mm/-0.05 mm)
- Bore tolerance for mounting, +.002 in/-0.000 in (+0.05 mm/-0.00 mm)
- 1 1/8 in thru 1 7/16 in & 1 5/8 in thru 2 15/16 in shaft sizes also available with dual contact lip seals, add suffix N

For the Selection Guide, Load Ratings and Speed Limits, see the Link-Belt Heavy Duty Ball Bearing Engineering section
 Note: Dimensions subject to change. Certified dimensions of ordered material furnished on request.

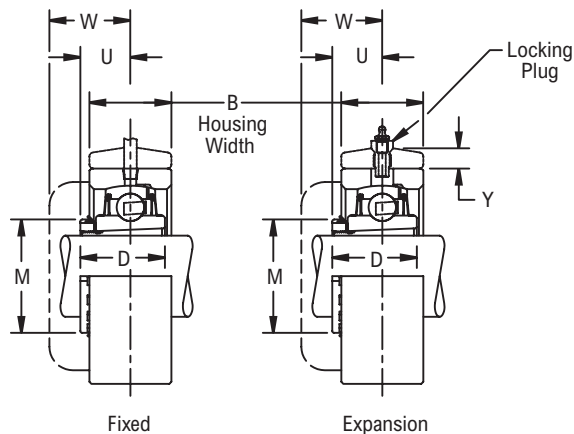
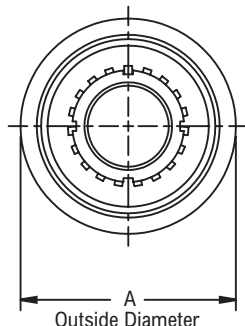
CU3K00, CEU3K00



Photo Shows a Ball Bearing Cartridge Unit with Steel Housing

Product Features

- Steel housing
- Enhanced life mounting style
- Fixed or Expansion - Up to 11/32 in expansion
- Alignable & relubricatable
- See Features & Benefits for additional info.



Bearing Dimensions

Size Code	Shaft Diameter	Expansion		Fixed		A O.D.	B Cartridge Housing Width	D	M	U	W	Y	Total Axial Expansion	Approx. Weight
		Part Number	Part Number	Part Number	Part Number									
331	1 11/16	CEU3K27	CU3K27	5.0000	2 1/32	2 17/32	2 11/16	1 35/64	1 31/32	19/32	1/4	7.70		
335	1 15/16	CEU3K31	CU3K31	5.3750	2 3/16	2 19/32	2 31/32	1 37/64	2 3/16	11/16	9/32	9.70		
344	2 3/16	CEU3K35	CU3K35	6.5620	2 3/4	3 1/32	3 3/8	1 53/64	2 5/8	13/16	7/32	17.00		
347	2 7/16	CEU3K39	CU3K39	6.9690	3	3 3/16	3 7/8	1 15/16	2 3/4	13/16	7/32	19.70		
351	2 11/16	CEU3K43	CU3K43	7.5940	3 3/16	3 5/16	4 5/32	2	3	1	11/32	26.90		
356	2 15/16	CEU3K47	CU3K47	8.3750	3 9/16	3 17/32	4 13/32	2 1/8	3 9/32	1	11/32	35.50		
363	3 7/16	CEU3K55	CU3K55	9.3750	4 1/16	3 31/32	5 3/16	2 27/64	3 11/16	1	11/32	49.50		

Additional Notes

- Please call 1-866-REXNORD for availability
- Lubrication fitting tap size: for expansion units with shaft sizes 1 15/16 in and below, 1/4 in-28 UNF; for other expansion units and all fixed units, 1/8 in PT
- O.D. tolerance, +.000 in/- .002 in (**+0.00 mm/-0.05 mm**)
- Bore tolerance for mounting, +.002 in/- .000 in (**+0.05 mm/-0.00 mm**)
- 1 11/16 in thru 2 7/16 in shaft sizes also available with dual contact lip seals, add suffix N
- Locking plug thread sizes: for shaft sizes 1 15/16 in and below, 7/16 in-20 UNF; for all other shaft sizes, 5/8 in-18 UNF

For the Selection Guide, Load Ratings and Speed Limits, see the Link-Belt Heavy Duty Ball Bearing Engineering section
 Note: Dimensions subject to change. Certified dimensions of ordered material furnished on request.

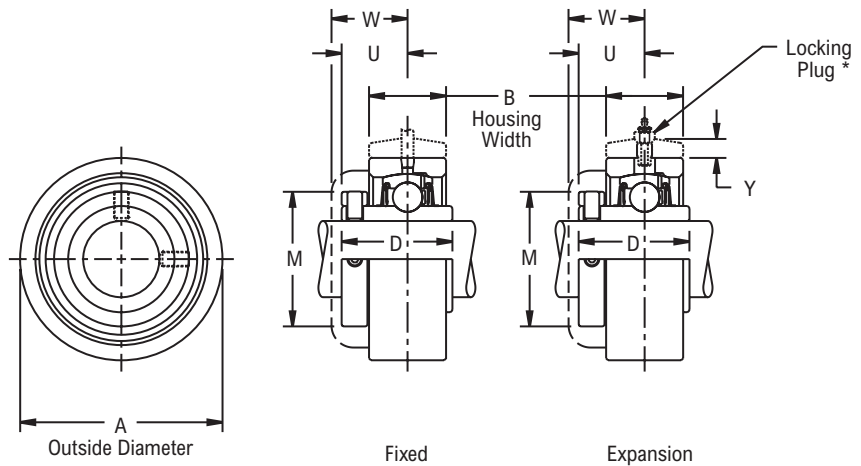
CU300, CEU300



Photo Shows a Ball Bearing Cartridge Unit with Steel Housing

Product Features

- Steel housing
- Spring locking setscrew mount
- Fixed or Expansion - Up to 11/32 in expansion
- Alignable & relubricatable
- See Features & Benefits for additional info.



Bearing Dimensions

Size Code	Shaft Diameter	Expansion		Fixed		A O.D.	B Cartridge Housing Width	D	M	U	W	Y	Total Axial Expansion	Approx. Weight
		Part Number	Part Number											
312	3/4	CEU312	CU312	2.4690	1 5/32	1 15/32	1 5/8	27/32	1 3/64	3/8	3/16	1.20		
	7/8	CEU314	CU314											
316	15/16	CEU315	CU315	3.0000	1 1/4	1 43/64	2	63/64	1 15/64	3/8	3/16	2.00		
	1	CEU316	CU316											
319	1 1/8	CEU318	CU318	3.4380	1 3/8	1 59/64	2 5/16	1 9/64	1 13/32	13/32	3/16	2.70		
	1 3/16	CEU319	CU319											
323	1 1/4	CEU320	CU320	3.7500	1 1/2	2 3/32	2 9/16	1 1/4	1 1/2	9/16	3/16	3.50		
	1 3/8	CEU322	CU322											
324	1 7/16	CEU323	CU323	4.1880	1 21/32	2 5/16	3 1/16	1 25/64	1 39/64	9/16	3/16	5.00		
	1 1/2	CEU324	CU324											
328	1 5/8	CEU326	CU326	4.5940	1 27/32	2 19/32	3 1/4	1 35/64	1 27/32	9/16	3/16	6.50		
	1 11/16	CEU327	CU327											
331	1 3/4	CEU328	CU328	5.0000	2 1/32	2 13/16	3 7/16	1 43/64	1 31/32	19/32	1/4	7.70		
	2	CEU331	CU331											
335	2	CEU332	CU332	5.3750	2 3/16	3 1/16	3 15/16	1 27/32	2 3/16	11/16	9/32	9.70		
	2 1/8	CEU334	CU334											
339	2 3/16	CEU335	CU335	5.7810	2 3/8	3 5/16	4 3/16	1 15/16	2 7/16	23/32	9/32	12.00		
	2 1/4	CEU336	CU336											
344	2 7/16	CEU339	CU339	6.5620	2 3/4	3 13/16	4 3/4	2 1/4	2 5/8	13/16	7/32	17.00		
	2 11/16	CEU343	CU343											
347	2 3/4	CEU344	CU344	6.9690	3	4 3/32	4 15/16	2 3/8	2 3/4	13/16	7/32	19.70		
	2 5/8	CEU347	CU347											
351	2 15/16	CEU348	CU348	7.5940	3 3/16	4 13/32	5 11/16	2 19/32	3	1	11/32	26.90		
	3	CEU351	CU351											
356	3 3/16	CEU355	CU355	8.3750	3 9/16	4 15/16	6	2 29/32	3 9/32	1	11/32	35.50		
	3 1/2	CEU356	CU356											
363	3 5/16	CEU363	CU363	9.3750	4 1/16	5 9/16	7	3 9/32	3 11/16	1	11/32	49.50		

Additional Notes

- Please call 1-866-REXNORD for availability
- Lubrication fitting tap size: for expansion units with shaft sizes 2 7/16 in and below, 1/4 in-28 UNF; for other expansion units and all fixed units, 1/8 in PT
- O.D. tolerance, +.000 in/-0.002 in (+0.00 mm/-0.05 mm)
- Bore tolerance for mounting, +.002 in/-0.000 in (+0.05 mm/-0.00 mm)
- 1 1/8 in thru 1 7/16 in & 1 5/8 in thru 2 15/16 in shaft sizes also available with dual contact lip seals, add suffix N

- Locking plug thread sizes: for shaft sizes 2 7/16 in and below, 7/16 in-20 UNF; for all other shaft sizes, 5/8 in-18 UNF
- For the Selection Guide, Load Ratings and Speed Limits, see the Link-Belt Heavy Duty Ball Bearing Engineering section
- Note: Dimensions subject to change. Certified dimensions of ordered material furnished on request.

TU300

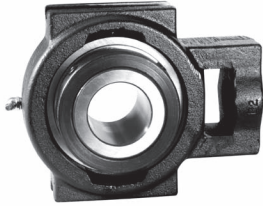
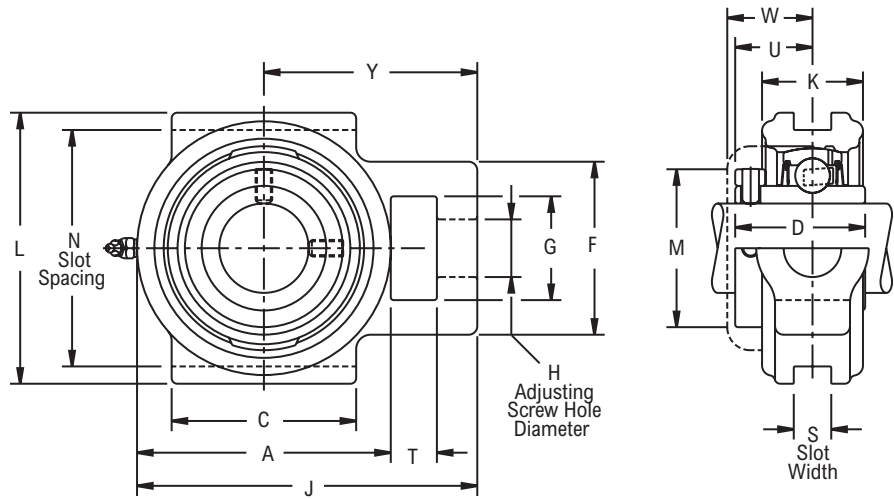


Photo Shows a Ball Bearing Take-Up Unit

Product Features

- Corrosion-resistant powder coating
- Cast iron housing
- Spring locking setscrew mount
- Alignable & relubricatable
- Machined slots
- See Features & Benefits for additional info.



Bearing Dimensions

Size Code	Shaft Diameter	Part Number	H Adjusting Screw Hole Diameter	N Slot Spacing	S Slot Width	A	C	D	F	G	J	K	L	M	T	U	W	Y	Approx. Weight
316	$\frac{7}{8}$	TU314	$\frac{3}{4}$	3.000	0.531	$3\frac{5}{16}$	$2\frac{1}{4}$	$1\frac{43}{64}$	2	$1\frac{1}{4}$	$4\frac{3}{8}$	$1\frac{3}{8}$	$3\frac{5}{8}$	2	$\frac{5}{8}$	$\frac{63}{64}$	$1\frac{15}{64}$	$2\frac{3}{4}$	3.20
	$\frac{15}{16}$	TU315																	
	1	TU316																	
323	$1\frac{1}{4}$	TU320	$\frac{7}{8}$	3.500	0.531	4	$2\frac{3}{4}$	$2\frac{3}{32}$	$2\frac{3}{8}$	$1\frac{7}{16}$	$5\frac{1}{4}$	$1\frac{5}{8}$	$4\frac{1}{8}$	$2\frac{9}{16}$	$\frac{5}{8}$	$1\frac{1}{4}$	$1\frac{1}{2}$	$3\frac{1}{4}$	5.50
	$1\frac{3}{8}$	TU322																	
	$1\frac{7}{16}$	TU323																	
324	$1\frac{1}{2}$	TU324	$1\frac{1}{8}$	4.125	0.687	$4\frac{5}{8}$	$3\frac{1}{4}$	$2\frac{5}{16}$	$3\frac{3}{16}$	$1\frac{15}{16}$	$6\frac{1}{8}$	$1\frac{25}{32}$	$4\frac{7}{8}$	$3\frac{1}{16}$	$\frac{3}{4}$	$1\frac{25}{64}$	$1\frac{39}{64}$	$3\frac{13}{16}$	8.50
331	$1\frac{15}{16}$	TU331	$1\frac{1}{4}$	5.125	0.812	$5\frac{1}{2}$	4	$2\frac{13}{16}$	$3\frac{3}{4}$	$2\frac{1}{4}$	$7\frac{3}{8}$	$2\frac{3}{16}$	$5\frac{7}{8}$	$3\frac{7}{16}$	1	$1\frac{43}{64}$	$1\frac{31}{32}$	$4\frac{5}{8}$	13.70
	2	TU332	$1\frac{1}{4}$	5.500	0.812	$5\frac{13}{16}$	$4\frac{1}{8}$	$3\frac{1}{16}$	$3\frac{3}{4}$	$2\frac{1}{4}$	$7\frac{3}{4}$	$2\frac{3}{8}$	$6\frac{1}{4}$	$3\frac{15}{16}$	1	$1\frac{27}{32}$	$2\frac{3}{16}$	$4\frac{27}{32}$	17.20
335	$2\frac{3}{16}$	TU335																	
339	$2\frac{1}{4}$	TU336	$1\frac{3}{8}$	6.000	1.062	$6\frac{1}{4}$	$4\frac{1}{2}$	$3\frac{5}{16}$	$4\frac{1}{8}$	$2\frac{1}{2}$	$8\frac{5}{8}$	$2\frac{9}{16}$	$6\frac{3}{4}$	$4\frac{3}{16}$	$1\frac{3}{8}$	$1\frac{15}{16}$	$2\frac{7}{16}$	$5\frac{7}{16}$	20.00
	347	$2\frac{7}{16}$																	
347	$2\frac{15}{16}$	TU347	$1\frac{5}{8}$	7.500	1.312	8	$5\frac{3}{4}$	$4\frac{3}{32}$	$4\frac{3}{4}$	$2\frac{3}{4}$	$10\frac{1}{2}$	$3\frac{1}{4}$	$8\frac{1}{4}$	$4\frac{15}{16}$	$1\frac{1}{4}$	$2\frac{3}{8}$	$2\frac{3}{4}$	$6\frac{1}{2}$	37.50

Additional Notes

- Please call 1-866-REXNORD for availability
- Lubrication fitting tap size, 1/8 in PT
- Take-up slot spacing & width tolerance, +.000 in/-.015 in (**+0.00 mm/-0.38 mm**)
- 1 1/8 in thru 1 7/16 in & 1 5/8 in thru 2 15/16 in shaft sizes also available with dual contact lip seals, add suffix N
- For the Selection Guide, Load Ratings and Speed Limits, see the Link-Belt Heavy Duty Ball Bearing Engineering section
- Note: Dimensions subject to change. Certified dimensions of ordered material furnished on request.

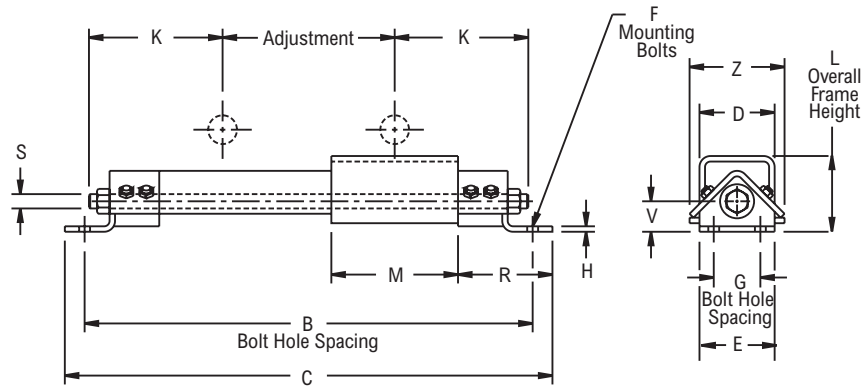
LHD_FRAME



Photo Shows a Protected Screw Type Frame

Product Features

- Protected screw type frame
- Welded steel frame



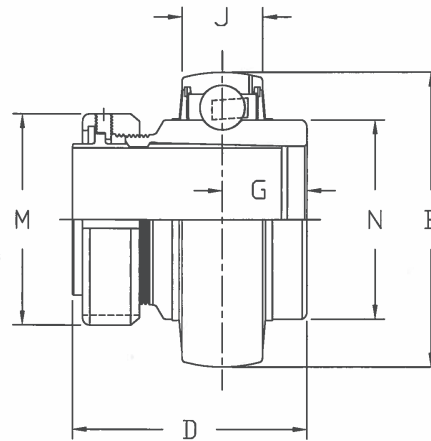
Bearing Dimensions

Size Code	Shaft Size	Part Number	Adjustment Length	B Bolt Hole Spacing	G Bolt Hole Spacing in Width Direction	L Overall Frame Height	C	D	E	F	H	K	M	R	S	V	Z	Approx. Weight
LHD20	7/8-1 15/16	LHD2012	12	29	2 1/2	5 1/4	31	4	5	5/8	1/4	8 1/2	11	4	3/4	2	6 1/4	48.00
		LHD2018	18	35			37											52.00
		LHD2024	24	41			43											56.00
		LHD2030	30	47			49											65.00
		LHD2036	36	53			55											70.00
		LHD2048	48	65			67											81.00
LHD25	2-2 3/16	LHD2512	12	32 3/4	3	6 1/4	35 1/4	5	5 1/2	5/8	3/8	10 3/8	13 1/4	5	1	2 9/16	7 1/8	81.00
		LHD2518	18	38 3/4			41 1/4											100.00
		LHD2524	24	44 3/4			47 1/4											110.00
		LHD2530	30	50 3/4			53 1/4											115.00
		LHD2536	36	56 3/4			59 1/4											120.00
		LHD2548	48	68 3/4			71 1/4											127.00
LHD30	2 1/4-2 7/16	LHD3012	12	35 1/2	3	7	38 1/4	6	6 1/2	3/4	1/2	11 3/4	14 1/4	6	1	2 1/2	9	158.00
		LHD3018	18	41 1/2			44 1/4											162.00
		LHD3024	24	47 1/2			50 1/4											166.00
		LHD3030	30	53 1/2			56 1/4											173.00
		LHD3036	36	59 1/2			62 1/4											183.00
		LHD3048	48	71 1/2			74 1/4											214.00
LHD35	2 11/16-3 3/16	LHD3512	12	37 1/4	3	7	40	6	6 1/2	3/4	1/2	12 5/8	16	6	1 1/4	2 1/2	9	173.00
		LHD3518	18	43 1/4			46											190.00
		LHD3524	24	49 1/4			52											195.00
		LHD3530	30	55 1/4			58											200.00
		LHD3536	36	61 1/4			64											210.00
		LHD3548	48	73 1/4			76											234.00
LHD40	3 7/16-3 15/16	LHD4012	12	41 1/4	3	7	44	7	6 1/2	3/4	1/2	14 5/8	20	6	1 1/2	2 1/2	9 13/16	175.00
		LHD4018	18	47 1/4			50											220.00
		LHD4024	24	53 1/4			56											265.00
		LHD4030	30	59 1/4			62											270.00
		LHD4036	36	65 1/4			68											290.00
		LHD4048	48	77 1/4			80											300.00
LHD50	-	LHD5012	12	47	4	7 3/4	49 1/2	8 1/2	7	7/8	1/2	17 1/2	23 1/2	6 3/4	1 1/2	3 3/8	11 1/4	290.00
		LHD5018	18	53			55 1/2											300.00
		LHD5024	24	59			61 1/2											325.00
		LHD5030	30	65			67 1/2											330.00
		LHD5036	36	71			73 1/2											350.00
		LHD5048	48	83			85 1/2											360.00

Additional Notes

Please call 1-866-REXNORD for availability
 Note: Dimensions subject to change. Certified dimensions of ordered material furnished on request.

AG300L



Product Features

- Spyglass™ Optical Strain Sensor (OSS) Technology
- Positive locking system
- Tapered adapter sleeve
- Enhanced life mounting style
- Sealed & relubricatable
- Alignable spherical O.D.
- See Features & Benefits for additional info.

Bearing Dimensions

Size Code	Shaft Diameter	Part Number	B O.D.	J Outer Ring Width	D	G	M	N	Shipping Weight
319	1 ³ / ₁₆	AG319L	2.8346	0.9449	2 ³ / ₄	2 ⁵ / ₃₂	2 ⁵ / ₃₂	1.708	1.50
323	1 ⁷ / ₁₆	AG323L	3.1496	1.0236	2 ⁴⁷ / ₆₄	2 ⁷ / ₃₂	2 ³ / ₈	1.946	1.90
328	1 ¹¹ / ₁₆	AG327L	3.937	1.1811	3 ¹ / ₈	5 ⁹ / ₆₄	2 ⁴¹ / ₆₄	2.443	3.80
331	1 ¹⁵ / ₁₆	AG331L	4.3307	1.2598	3 ⁷ / ₃₂	1 ⁹ / ₆₄	2 ⁵⁵ / ₆₄	2.701	5.00
335	2 ³ / ₁₆	AG335L	4.7244	1.3386	3 ²³ / ₆₄	1 ⁷ / ₃₂	3 ¹⁵ / ₆₄	2.959	6.00
339	2 ⁷ / ₁₆	AG339L	5.1181	1.4173	3 ²⁷ / ₃₂	1 ³ / ₈	3 ¹⁹ / ₃₂	3.216	7.50
344	2 ¹¹ / ₁₆	AG343L	5.9055	1.6142	4 ¹ / ₄	1 ⁹ / ₁₆	4 ³ / ₃₂	3.732	11.50
	2 ³ / ₄	AG344L							
347	2 ¹⁵ / ₁₆	AG347L	6.2992	1.6929	4 ¹⁷ / ₃₂	1 ²³ / ₃₂	4 ³ / ₃₂	3.990	13.00
351	3 ³ / ₁₆	AG351L	6.6929	1.7717	5 ¹ / ₂	1 ¹³ / ₁₆	4 ⁶¹ / ₆₄	4.247	17.00
356	3 ⁷ / ₁₆	AG355L	7.4806	1.9291	5 ²³ / ₆₄	2 ¹ / ₃₂	4 ⁶¹ / ₆₄	4.763	23.50
363	3 ¹⁵ / ₁₆	AG363L	8.4646	2.1654	5 ²⁹ / ₃₂	2 ⁹ / ₃₂	5 ⁴³ / ₆₄	5.339	33.00

Additional Notes

Please call 1-866-REXNORD for availability
 1 11/16 in thru 2 7/16 in shaft sizes also available with dual contact lip seals, add suffix N
 For the Selection Guide, Load Ratings and Speed Limits, see the Link-Belt Heavy Duty Ball Bearing Engineering section

Note: Dimensions subject to change. Certified dimensions of ordered material furnished on request.

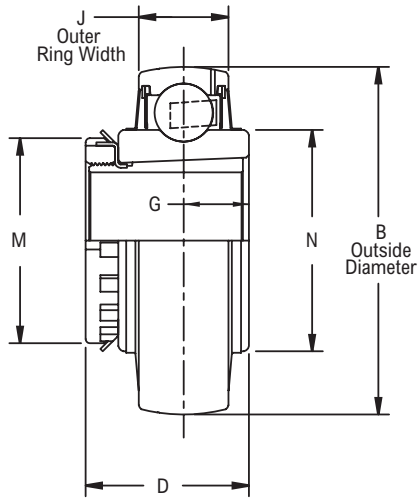
UG3K00L



Photo Shows an Unmounted Ball Bearing Unit

Product Features

- Enhanced life mounting style
- Sealed & relubricatable
- Alignable spherical O.D.
- See Features & Benefits for additional info.



Bearing Dimensions

Size Code	Shaft Diameter	Part Number	B O.D.	J Outer Ring Width	D	G	M	N	Approx. Weight
331	1 11/16	UG3K27L	4.3307	1.2598	2 19/32	31/32	2 11/16	2.702	5.70
335	1 15/16	UG3K31L	4.7244	1.3386	2 13/16	1	2 31/32	2.959	6.60
344	2 3/16	UG3K35L	5.9055	1.6142	3 1/16	1 3/16	3 3/8	3.732	11.50
347	2 7/16	UG3K39L	6.2992	1.6929	3 5/16	1 1/4	3 7/8	3.990	14.40
351	2 11/16	UG3K43L	6.6929	1.7717	3 13/16	1 5/16	4 5/32	4.247	21.50
356	2 15/16	UG3K47L	7.4806	1.9291	4 3/32	1 13/32	4 13/32	4.763	23.50
363	3 7/16	UG3K55L	8.4646	2.1654	4 15/16	1 9/16	5 3/16	5.339	33.00

Additional Notes

- Please call 1-866-REXNORD for availability
- 1 11/16 in thru 2 7/16 in shaft sizes also available with dual contact lip seals, add suffix N
- For the Selection Guide, Load Ratings and Speed Limits, see the Link-Belt Heavy Duty Ball Bearing Engineering section
- Note: Dimensions subject to change. Certified dimensions of ordered material furnished on request.

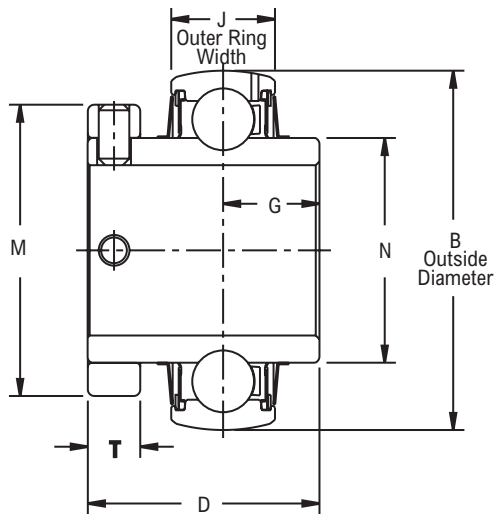
UG300L



Photo Shows an Unmounted Ball Bearing Unit

Product Features

- Spring locking setscrew mount
- Sealed & relubricatable
- Alignable spherical O.D.
- See Features & Benefits for additional info.



Bearing Dimensions

Size Code	Shaft Diameter	Part Number	B O.D.	J Outer Ring Width	D	G	M	N	T	Approx. Weight
312	$\frac{3}{4}$	UG312L	2.0472	0.7874	$1 \frac{15}{32}$	$\frac{5}{8}$	$1 \frac{5}{8}$	1.194	$\frac{11}{32}$	1.00
316	$\frac{7}{8}$	UG314L	2.4409	0.8661	$1 \frac{43}{64}$	$\frac{11}{16}$	2	1.451	$\frac{13}{32}$	1.50
	$\frac{15}{16}$	UG315L								
	1	UG316L								
319	$1 \frac{1}{8}$	UG318L	2.8346	0.9449	$1 \frac{59}{64}$	$\frac{25}{32}$	$2 \frac{5}{16}$	1.708	$\frac{1}{2}$	1.70
	$1 \frac{3}{16}$	UG319L								
323	$1 \frac{1}{4}$	UG320L	3.1496	1.0236	$2 \frac{3}{32}$	$\frac{27}{32}$	$2 \frac{9}{16}$	1.946	$\frac{1}{2}$	2.10
	$1 \frac{3}{8}$	UG322L								
	$1 \frac{7}{16}$	UG323L								
324	$1 \frac{1}{2}$	UG324L	3.5433	1.1024	$2 \frac{5}{16}$	$\frac{59}{64}$	$3 \frac{1}{16}$	2.204	$\frac{9}{16}$	2.90
	$1 \frac{5}{8}$	UG326L								
	$1 \frac{11}{16}$	UG327L								
328	$1 \frac{3}{4}$	UG328L	3.9370	1.1811	$2 \frac{19}{32}$	$1 \frac{3}{64}$	$3 \frac{1}{2}$	2.443	$\frac{5}{8}$	3.95
	$1 \frac{7}{8}$	UG329L								
331	$1 \frac{15}{16}$	UG331L	4.3307	1.2598	$2 \frac{13}{16}$	$1 \frac{9}{64}$	$3 \frac{7}{16}$	2.701	$\frac{21}{32}$	4.70
	2	UG332L								
335	$2 \frac{1}{8}$	UG334L	4.7244	1.3386	$3 \frac{1}{16}$	$1 \frac{7}{32}$	$3 \frac{15}{16}$	2.959	$\frac{3}{4}$	6.60
	$2 \frac{3}{16}$	UG335L								
339	$2 \frac{1}{4}$	UG336L	5.1181	1.4173	$3 \frac{5}{16}$	$1 \frac{3}{8}$	$4 \frac{3}{16}$	3.216	$\frac{3}{4}$	7.95
	$2 \frac{7}{16}$	UG339L								
344	$2 \frac{11}{16}$	UG343L	5.9055	1.6142	$3 \frac{13}{16}$	$1 \frac{9}{16}$	$4 \frac{3}{4}$	3.732	$\frac{7}{8}$	11.50
	$2 \frac{3}{4}$	UG344L								
347	$2 \frac{15}{16}$	UG347L	6.2992	1.6929	$4 \frac{3}{32}$	$1 \frac{23}{32}$	$4 \frac{15}{16}$	3.990	$\frac{7}{8}$	13.00
351	3	UG348L	6.6929	1.7717	$4 \frac{13}{32}$	$1 \frac{13}{16}$	$5 \frac{11}{16}$	4.247	1	18.00
	$3 \frac{3}{16}$	UG351L								
356	$3 \frac{7}{16}$	UG355L	7.4806	1.9291	$4 \frac{15}{16}$	$2 \frac{1}{32}$	6	4.763	$1 \frac{1}{8}$	23.50
	$3 \frac{1}{2}$	UG356L								
363	$3 \frac{15}{16}$	UG363L	8.4646	2.1654	$5 \frac{9}{16}$	$2 \frac{9}{32}$		5.339	$1 \frac{1}{4}$	33.00

Additional Notes

- Please call 1-866-REXNORD for availability
- $1 \frac{1}{8}$ in thru $1 \frac{7}{16}$ in & $1 \frac{5}{8}$ in thru $2 \frac{15}{16}$ in shaft sizes also available with dual contact lip seals, add suffix N
- For the Selection Guide, Load Ratings and Speed Limits, see the Link-Belt Heavy Duty Ball Bearing Engineering section
- Note: Dimensions subject to change. Certified dimensions of ordered material furnished on request.

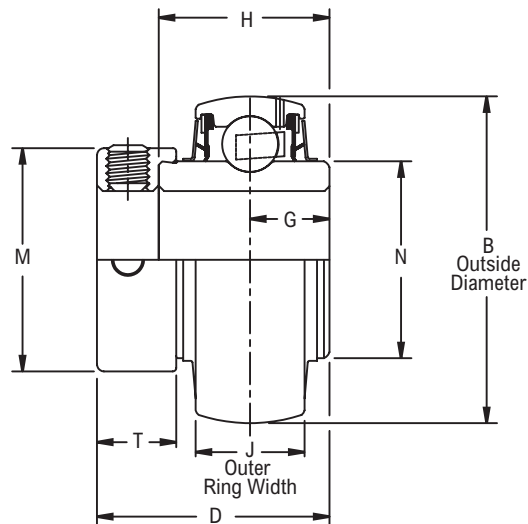
YG300



Photo Shows an Unmounted Ball Bearing Unit

Product Features

- Eccentric cam locking device
- Sealed & relubricatable
- Alignable spherical O.D.
- See Features & Benefits for additional info.

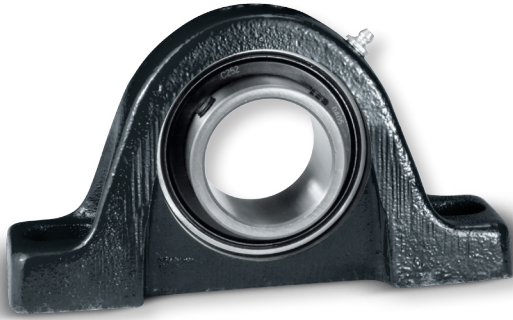


Bearing Dimensions

Size Code	Shaft Diameter	Part Number	B O.D.	J Outer Ring Width	D	G	H	M	N	T	Approx. Weight
319	1 ³ / ₁₆	YG319NL	2.8346	0.9449	2 ¹ / ₃₂	²⁵ / ₃₂	1.48	1 ¹⁵ / ₁₆	1.708	¹¹ / ₁₆	1.70
323	1 ⁷ / ₁₆	YG323NL	3.1496	1.0236	2 ⁵ / ₃₂	²⁷ / ₃₂	1.62	2 ³ / ₁₆	1.946	¹¹ / ₁₆	2.10
328	1 ¹¹ / ₁₆	YG327NL	3.9370	1.1811	2 ⁹ / ₁₆	1 ³ / ₆₄	1.94	2 ³ / ₄	2.443	¹³ / ₁₆	3.95
331	1 ¹⁵ / ₁₆	YG331NL	4.3307	1.2598	2 ²⁵ / ₃₂	1 ⁹ / ₆₄	2.08	3	2.701	⁷ / ₈	4.70
335	2 ³ / ₁₆	YG335NL	4.7244	1.3386	2 ¹⁵ / ₁₆	1 ⁷ / ₃₂	2.24	3 ¹ / ₄	2.959	⁷ / ₈	6.60
339	2 ⁷ / ₁₆	YG339NL	5.1181	1.4173	3 ⁵ / ₃₂	1 ³ / ₈	2.47	3 ¹ / ₂	3.216	¹⁵ / ₁₆	7.95
344	2 ¹¹ / ₁₆	YG343NL	5.9055	1.6142	3 ⁹ / ₁₆	1 ⁹ / ₁₆	2.74	4	3.732	1 ¹ / ₁₆	11.50
347	2 ¹⁵ / ₁₆	YG347NL	6.2992	1.6929	3 ¹⁵ / ₁₆	1 ²³ / ₃₂	2.93	4 ⁷ / ₁₆	3.990	1 ¹ / ₄	13.00

Additional Notes

- Please call 1-866-REXNORD for availability
- N dual contact lip seals standard
- For the Selection Guide, Load Ratings and Speed Limits, see the Link-Belt Heavy Duty Ball Bearing Engineering section
- Note: Dimensions subject to change. Certified dimensions of ordered material furnished on request.



Industries Served
Aggregates
Agriculture
Air Handling
Package Handling
Construction
Shipping

Mounted Ball Bearings Designed for Long Life and Precision Performance

MB bearings provide design and performance features developed by decades of experience in supplying precision ball bearing inserts for other major mounted bearing manufacturers and complete mounted units to machinery and equipment manufacturers. They are priced competitively to bearings of comparable construction. In addition to sound basic design and construction, special features minimize the three most common causes of premature

bearing failure... loosening of bearings on rotating shafts, entrance of contaminants or loss of lubricant due to seal failure and insufficient housing strength. Standard duty and medium duty foot-mounted pillow blocks, flange units, take-up blocks and hanger bearings cataloged in the following pages are available from stock. For other sizes, mountings or special requirements to fit your applications, please consult the Rexnord Bearing Products.



Concentric setscrew shaft locking device

The MB method of fastening the bearing inner race to the shaft provides substantial improvement in holding power compared to eccentric locking collars and even greater improvement over 120° set screw positioning, over-collars and other types of locking arrangement.

Combination seal-flinger system

Optimum protection from loss of lubricant and entrance of dirt and contaminants is achieved with positive lip-type contact seals. The resulting longer seal life extends bearing life significantly.

Rugged, one-piece cast iron housing

Housings are designed to withstand bearing load ratings, external vibration and shock. Foot mounted pillow block bolt holes are elongated for easy installation and adjustment.

Spherically-seated bearing insert with anti-rotation device

The spherical fit between the outer race O.D. and I.D. of the block is precisely controlled for easy shaft alignment. The anti-rotation device is permanently installed in the bearing insert O.D. It engages one of the housing insertion slots, preventing outer race creep and wear of housing. There is no danger of losing a separable pin during field replacement of bearings and no danger of preloading the bearing as is possible in other designs where a lube fitting is tightened against a locking pin.

Precision Mounted Ball Bearings with Shafting Locking Device

MB concentric setscrew precision mounted ball bearings feature a concentric setscrew shaft locking device, resulting in a great improvement in the holding power (locking efficiency). Field experience shows substantial improvement in holding power when compared to eccentric locking collars and even greater improvement in locking efficiency when compared to 120° set screw positioning and other types of locking arrangements. The locking set screws are located at a 90° angular relationship, rather than the traditional 120°.

Standard sealing arrangements

Standard steel clad Type N single lip seals have a useful temperature range of -40°F to +225°F and can withstand temperatures of 250°F for intermittent service. Special sealing arrangements are available for higher temperatures and “free-running” or special contamination resistance.

Special optional sealing arrangements

Suffix-MHFF indicates flingers both sides. This provides a sealed, “free-running” bearing with heat shield protection. It is satisfactory for temperatures from -40°F to +225°F. Rexnord Bearing Products must be consulted regarding availability of any of these optional sealing configurations.

Examples for ordering:

1. Bearing Insert MB251-716-MHFFPA
2. Mounted Unit C251-716-MHFF

High temperature ball bearing inserts and housed units

Mounted ball bearings and MB25, MB35 and ER series inserts are available for high temperature applications up to 400°F. The “E1” package provides the following features.

1. Extra Internal Diameters Clearance (DC) based on a 200°F temperature differential between inner and outer races, compensates for the inner race expanding at a faster rate than the outer race and will avoid preloading of the bearings.
2. Steel Retainer (Cage) – 2 piece riveted construction.
3. High Temperature Lubrication – prelubricated with a No.2 consistency bentone-base grease with petroleum oil. When operated near upper limit, (400°F to 450°F) daily relubrication is required.
4. Viton Seals withstand temperatures to 400°F.

Examples for ordering:

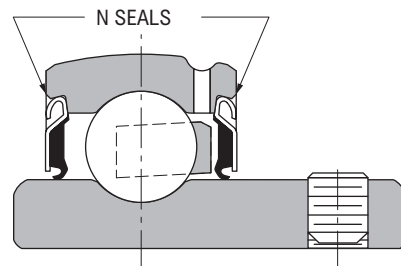
1. Bearing Insert MB251-716-E1PA
2. Mounted Unit C251-716-E1

Free running applications and applications above 400°F

Sealing options such as -FF (flingers only) for “free running” applications and/or temperatures over 400°F where contamination is not severe. The flinger acts as a labyrinth seal. High temperature bearings require a greater amount of diametral clearance (DC) and a higher temperature lubricant. Consult Rexnord Bearing Products for recommendations.

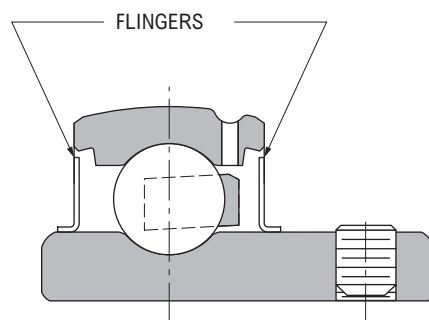
Examples for ordering:

1. Bearing Insert MB251-716-FFPA
2. Mounted Unit C251-716-FF



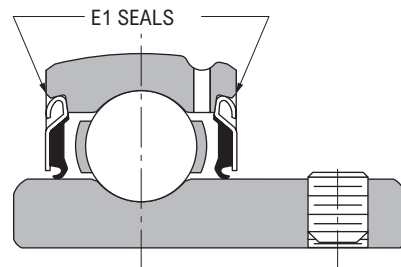
BASIC MB25/35 SEALS

214 thru 218 Basic Sizes have Nyla-K seals and Flingers



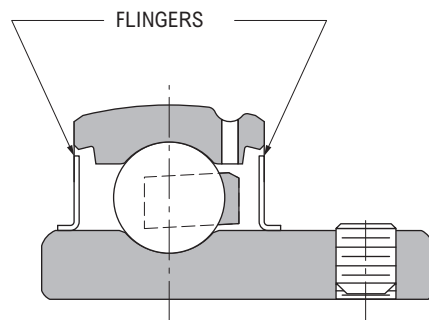
-MHFF

214 thru 218 Basic Sizes have Modified Nyla-K seals and Flingers use suffix MKFF



-E1

214 thru 218 Basic Sizes have Viton seals and Flingers use suffix TFF



-FF

Nomenclature

Symbol	Description	N	FC2	25	1	-	716	-	FF	JF	PB
N	Nickel plated housing, penetrated rings, food grade grease	_____									
C	Pillow block, standard backing		_____								
CL	Pillow block, low backing		_____								
FC2	Flanged unit, 2-bolt		_____								
FC4	Flanged unit, 4-bolt		_____								
FPS2	Flanged unit, formed steel housing, 2-bolt		_____								
FPS3	Flanged unit, formed steel housing, 3-bolt round		_____								
FPSR2	Flanged unit, formed steel housing, 2-bolt w/ rubber bearing insert		_____								
MCHB	Hanger screw conveyor unit		_____								
MEHB	Hanger unit		_____								
MFB	Flanged bracket unit, 3-bolt		_____								
PFC4	Flanged cartridge unit, 4-bolt round		_____								
PS	Pillow block, formed steel housing		_____								
TBC	Pillow block, tapped base		_____								
TC	Take-up, wide slot		_____								
TFPS3	Flanged unit, formed steel housing, 3-bolt triangular housing		_____								
25K	Narrow inner ring, standard duty, Centrik-Lok collar		_____								
25	Narrow inner ring, standard duty, spring locking		_____								
35K	Narrow inner ring, medium duty, Centrik-Lok collar		_____								
35	Narrow inner ring, medium duty, spring locking		_____								
None	Shaft diameter less than 1 inch or a metric bore	_____									
1	Shaft diameter equal to or greater than 1 inch	_____									
-	Dash used as separator					_____					
716	Inch shaft fraction without the slash						_____				
35	Metric shaft diameter in millimeters						_____				
-	Dash used to separate suffix from bore designation							_____			
EDC	Bearing with steel retainer and increased clearance								_____		
STL	Bearing with steel retainer and standard clearance								_____		
None	Standard single lip seal								_____		
E1	Viton seals, increased clearance, steel retainer, high temp. lube								_____		
FF	Flingers only, 50% grease fill								_____		
HFF	Flingers only, 10% oil fill								_____		
MHFF	Flingers only 10% grease fill								_____		
XX	Non-standard grease designation									_____	
PB	Bearing with 100% grease fill										_____
PD	Bearing with preservative only										_____

Unmounted Nomenclature

Symbol	Description	MB	25	1	-	716	-	FF	JF	PA
KMB	Ball bearing, spherical O.D. with lube groove and anti rotation pin									
MB	Ball bearing, spherical O.D. with lube groove and anti rotation pin									
ER	Adapter series, cylindrical O.D. with lube groove and O.D. locating ring									
MSL	Ball bearing, cylindrical O.D., wide inner ring, spring locking									
MSLN	Ball bearing, cylindrical O.D., narrow inner ring, spring locking									
RER	Rubber cartridge unit (used in FPSR2 units)									
25	Narrow inner ring, standard duty, spring locking - KMB & MB series only									
35	Narrow inner ring, medium duty, spring locking - KMB & MB series only									
None	Shaft diameter less than 1 inch or a metric bore									
1	Shaft diameter equal to or greater than 1 inch									
12	Shaft diameter in sixteenths of an inch - ER, RER, MSL, MSLN series only									
204	Shaft diameter in one fifth of a millimeter - ER, RER, MSL, MSLN series only									
None	Setscrew locking – ER series only									
K	Centrik-Lok collar – ER series only									
-	Dash used as separator									
716	Inch shaft fraction without the slash – KMB & MB series only									
35	Metric shaft diameter in millimeters – KMB & MB series only									
-	Dash used to separate suffix from bore designation									
EDC	Bearing with steel retainer and increased clearance									
STL	Bearing with steel retainer and standard clearance									
None	Standard single lip seal									
E1	Viton seals, increased clearance, steel retainer, high temp. lube									
FF	Flingers only, 50% grease fill									
HFF	Flingers only, 10% oil fill									
MHFF	Flingers only 10% grease fill									
WO	External locating ring omitted – ER series only									
XX	Non-standard grease designation									
PA	Suffix designation for unmounted replacement bearing insert									

MB 25 and 35 Series Ball Bearings Selection Guide

To select a bearing, determine the applied radial load, the applied thrust load, the desired Rating Life, and applicable operating conditions. The procedure shown here will aid in selecting a bearing to meet an L₁₀ design life. The formulas for calculating life expectancy should be used to determine the Rating Life L₁₀ for the bearing selected.

The selection procedures and rating formulas shown here are in agreement with The American Bearing Manufacturers Association Standards and ANSI/ABMA Standards STD 9-1990. Ratings are based on fatigue life. The Rating Life or fatigue life at 90% reliability is the usual basis for bearing selection.

Series 25 and 35 bearings have extended inner rings on one side only for compactness and low cost. These series are applicable to light or moderate duty requirements.

Where non-relubricatable bearings are used, bearing life is often limited by grease life, which is in turn affected by operating conditions. Also, economically designed housings must be applied within proportionate load limits. To assure a satisfactory bearing application, fitting practice, mounting, lubrication, sealing, static rating, housing strength, operating conditions and maintenance must be considered.

Steps for Selection

Step 1

Determine an appropriate L₁₀ design life.

Type of service	Operating time, hours per year	Design life, years	L ₁₀ design life, hours
Light seasonal usage	500 to 750	3-5	3,000
Heavy seasonal usage	1,400 to 1,600	4-6	8,000
Industrial—8 hour shift	2,000	10	20,000

Step 2

Determine a required $\left(\frac{C}{P}\right)$ from Table 1.

Step 3

Calculate the required C and select a ball bearing.

a For radial load only:

$$P = F_r$$

$$\text{required } C = \left(\frac{C}{P}\right) P \text{ using } \left(\frac{C}{P}\right) \text{ from Step 2}$$

Select a ball bearing from Table 3 with a basic load rating C equal to or greater than the required C.

b For combined radial and thrust loads when $\frac{F_a}{F_r}$ is 0.19 or less:

$$P = F_r$$

$$\text{required } C = \left(\frac{C}{P}\right) P \text{ using } \left(\frac{C}{P}\right) \text{ from Step 2}$$

Select a ball bearing from Table 3 with a basic load rating C equal to or greater than the required C.

Step 3 (continued)

c For combined radial and thrust loads when $\frac{F_a}{F_r}$ is greater than 0.19, use the following trial method:

$$\text{Maximum } P = .56F_r + 2.30F_a$$

$$\text{Maximum required } C = \left(\frac{C}{P}\right) P \text{ using } \left(\frac{C}{P}\right) \text{ from Step 2}$$

Select a trial ball bearing with a basic load rating C from Table 3 approximately equal to the maximum required C.

$$\text{With this trial bearing calculate: } \frac{F_a}{Nd^2}$$

Determine X and Y from Table 2.

Calculate P for the trial bearing.

$$P = XF_r + YF_a$$

$$\text{required } C = \left(\frac{C}{P}\right) P \text{ for the trial bearing using } \left(\frac{C}{P}\right) \text{ from Step 2}$$

Consult Table 3, basic load rating. If a smaller bearing meets or nearly meets the required C, its life expectancy can be calculated.

Note: If the load P is greater than .15C for series 25 and 35 consult Rexnord Bearing Products.

Selection

Symbols for formulas:

- C = basic load rating, pounds (or newtons)
- Co = static load rating, pounds (or newtons)
- e = a reference value
- Fa = thrust load, pounds (or newtons)
- Fr = radial load, pounds (or newtons)
- L10 = rating life, hours
- n = speed, revolutions per minute
- P = equivalent radial load, pounds (or newtons)
- X = radial factor
- Y = thrust factor

Table 1 • Relation of L10 life and speed to $\left(\frac{C}{P}\right)$

Bearing life, hours L10	$\left(\frac{C}{P}\right)$ ratio								
	Speed, n								
	50	100	200	300	400	500	600	700	800
3000	2.08	2.62	3.30	3.77	4.15	4.47	4.75	5.01	5.23
4000	2.29	2.88	3.63	4.15	4.57	4.92	5.23	5.51	5.76
5000	2.46	3.10	3.91	4.47	4.92	5.30	5.64	5.93	6.20
6000	2.62	3.30	4.15	4.75	5.23	5.64	5.99	6.30	6.59
8000	2.88	3.63	4.57	5.23	5.76	6.20	6.59	6.94	7.25
10000	3.10	3.91	4.92	5.64	6.20	6.68	7.10	7.47	7.81
12000	3.30	4.15	5.23	5.99	6.59	7.10	7.54	7.94	8.30
14000	3.47	4.37	5.51	6.30	6.94	7.47	7.94	8.36	8.74
16000	3.63	4.57	5.76	6.59	7.25	7.81	8.30	8.74	9.14
18000	3.77	4.75	5.99	6.86	7.54	8.13	8.63	9.09	9.50
20000	3.91	4.92	6.20	7.10	7.81	8.42	8.94	9.41	9.84
25000	4.21	5.30	6.68	7.65	8.42	9.07	9.63	10.10	10.60
30000	4.47	5.64	7.10	8.13	8.94	9.63	10.20	10.80	11.30
35000	4.71	5.93	7.47	8.55	9.41	10.10	10.80	11.30	11.90
40000	4.92	6.20	7.81	8.94	9.84	10.60	11.30	11.90	12.40
45000	5.12	6.45	8.13	9.30	10.20	11.00	11.70	12.30	12.90
50000	5.30	6.68	8.42	9.63	10.60	11.40	12.10	12.80	13.40
60000	5.64	7.10	8.94	10.20	11.30	12.10	12.90	13.60	14.20
70000	5.93	7.47	9.41	10.80	11.90	12.80	13.60	14.30	14.90
80000	6.20	7.81	9.84	11.30	12.40	13.40	14.20	14.90	15.60
90000	6.45	8.13	10.20	11.70	12.90	13.90	14.80	15.50	16.20
100000	6.68	8.42	10.60	12.10	13.40	14.40	15.30	16.10	16.80
150000	7.65	9.63	12.10	13.90	15.30	16.50	17.50	18.40	19.30
200000	8.42	10.60	13.40	15.30	16.80	18.10	19.30	20.30	21.20
	Speed, n								
	900	1000	1200	1500	1800	2400	3600	6000	10000
3000	5.44	5.64	5.99	6.45	6.86	7.54	8.63	10.20	12.10
4000	5.99	6.20	6.59	7.10	7.54	8.30	9.50	11.30	13.40
5000	6.45	6.68	7.10	7.65	8.13	8.94	10.20	12.10	14.40
6000	6.86	7.10	7.54	8.13	8.63	9.50	10.90	12.90	15.30
8000	7.54	7.81	8.30	8.94	9.50	10.50	12.00	14.20	16.80
10000	8.13	8.42	8.94	9.63	10.20	11.30	12.90	15.30	18.10
12000	8.63	8.94	9.50	10.20	10.90	12.00	13.70	16.20	19.30
14000	9.09	9.41	10.0	10.80	11.40	12.60	14.40	17.10	20.30
16000	9.50	9.84	10.5	11.30	12.00	13.20	15.10	17.90	21.20
18000	9.88	10.20	10.90	11.70	12.40	13.70	15.70	18.60	22.00
20000	10.20	10.60	11.30	12.10	12.90	14.20	16.20	19.30	22.80
25000	11.00	11.40	12.10	13.10	13.90	15.30	17.50	20.70	24.60
30000	11.70	12.10	12.90	13.90	14.80	16.20	18.60	22.00	26.10
35000	12.30	12.80	13.60	14.60	15.50	17.10	19.60	23.20	27.50
40000	12.90	13.40	14.20	15.30	16.20	17.90	20.50	24.30	28.70
45000	13.40	13.90	14.80	15.90	16.90	18.60	21.30	25.20	29.90
50000	13.90	14.40	15.30	16.50	17.50	19.30	22.00	26.10	31.00
60000	14.80	15.30	16.20	17.50	18.60	20.50	23.40	27.80	32.90
70000	15.50	16.10	17.10	18.40	19.60	21.50	24.60	29.20	34.60
80000	16.20	16.80	17.90	19.30	20.50	22.50	25.80	30.50	36.20
90000	16.90	17.50	18.60	20.00	21.30	23.40	26.80	31.80	37.70
100000	17.50	18.10	19.30	20.70	22.00	24.30	27.80	32.90	39.00
150000	20.00	20.70	22.00	23.70	25.20	27.80	31.80	37.70	44.60
200000	22.00	22.80	24.30	26.10	27.80	30.50	35.00	41.40	49.10

Basic formula

$$\left(\frac{C}{P}\right) = \left(\frac{L_{10} \times n \times 60}{1,000,000}\right)^{1/3}$$

$$L_{10} = \frac{\left(\frac{C}{P}\right)^3 \times 1,000,000}{n \times 60}$$

Life Expectancy

To calculate the Rating Life L10 of any selected or trial bearing:

Step 1

Determine the equivalent radial load P.

a For radial load only:
P = Fr

b For combined radial and thrust load:
P = XFr + YFa using X and Y from Table 2 below.

Step 2

Calculate the ratio of basic load rating C to the equivalent radial load.

$$\left(\frac{C}{P}\right)$$

Step 3

Approximate the bearing life from Table 1.

Table 2 • X and Y factors for ball bearings

Fa Nd ²	e	Fa Fr ≤ e		Fa Fr > e	
		X	Y	X	Y
25	.19	1.0	0	.56	2.30
37.5	.21	1.0	0	.56	2.15
50	.22	1.0	0	.56	1.99
75	.24	1.0	0	.56	1.85
100	.26	1.0	0	.56	1.71
125	.27	1.0	0	.56	1.63
150	.28	1.0	0	.56	1.56
200	.30	1.0	0	.56	1.45
300	.34	1.0	0	.56	1.31
500	.38	1.0	0	.56	1.15
750	.42	1.0	0	.56	1.04
1000	.44	1.0	0	.56	1.00

For values between those in the table linear interpolation can be used.

Life Adjustment

The Rating Life, L10, may be modified for some applications in accordance with the formula

$$L'n = a1a2a3L10$$

where L'n = Adjusted life for (100-n) % reliability,

a1 = Life adjustment factor for reliability

a2 = Life adjustment factor for material and processing

a3 = Life adjustment factor for operating conditions.

For most normal applications, all factors will be taken as 1, and the Rating Life used as the selection basis or life estimate. In addition, as long as standard catalog bearings are used, a2 will be normally set equal to one. The factor a3 covers such things as lubrication, misalignment, and temperature. Some conditions that could yield a3 significantly different than unity include speeds less than 20000 DN or greater than 200000 DN, temperatures below -40°F (-40°C) or above 275°F (135°C). For other possible conditions, as well as additional information on life adjustment factors, consult Rexnord Bearing Products.

Table 3 - Load Ratings

Basic size	Co		C		Approximate Speed Limit			d Ball Diameter	N Number of Balls	Nd ²
	Static Load Rating		Basic Load Rating		RPM*					
	newtons	pounds	newtons	pounds	N Seals	E, E1 Seals	Flingers only	inches		
203	4940	1110	8100	1820	14000	9000	15800	19/64	7	0.617
204	6590	1480	9830	2210	10000	7500	13400	5/16	8	0.781
205	7830	1760	10810	2430	9600	6800	11400	5/16	9	0.879
206	11300	2530	15030	3380	8000	5600	9800	3/8	9	1.27
207	15300	3440	19880	4470	6850	4800	8400	7/16	9	1.72
208	19900	4460	25100	5640	6000	4500	7500	1/2	9	2.25
209	20400	4590	25220	5670	5330	4000	6800	1/2	9	2.25
210	23200	5220	27090	6090	4800	3600	6400	1/2	10	2.50
211	29200	6570	33540	7540	4360	3200	5800	9/16	10	3.16
212	36000	8080	40520	9110	4000	3000	5300	5/8	10	3.91
					K Seals	TFF Seals	Flingers only			
214	38300	8620	48000	10800	3050	2850	4600	11/16	10	4.73
215	37600	8460	47600	10700	2900	2700	4400	11/16	10	4.73
216	50700	11400	59600	13400	2700	2550	4050	3/4	11	6.19
218	64000	14400	73800	16600	2400	2250	3600	7/8	10	7.66

If the load is greater than .25C consult Rexnord Bearing Products.

* Approximate speed limits are based on grease lubrication and moderate load.

Table 4 - Load Ratings

Basic Bearing Size	L ₁₀ Minimum Life, Hours	Radial Load Ratings in Pounds at Various Revolutions Per Minute																				
		50	100	200	300	400	500	600	700	800	900	1000	1200	1500	1600	1800	2000	2500	3000	3500	4000	5000
203	8000	-	-	398	347	315	293	276	262	251	241	233	219	203	198	191	184	171	161	152	146	135
	20000	-	369	293	256	233	216	203	193	184	178	171	161	150	146	141	135	126	118	113	107	100
	40000	369	293	233	203	184	171	161	152	146	141	135	128	118	115	112	107	100	94	89	85	79
	100000	272	216	171	150	135	126	118	113	108	104	100	94	87	85	82	79	73	69	65	63	58
204	8000	-	-	483	422	383	356	335	318	304	293	282	266	247	241	232	224	208	195	185	178	164
	20000	-	449	356	311	282	262	247	234	224	216	208	195	182	178	171	164	153	144	137	130	121
	40000	449	356	282	247	224	208	195	185	178	171	164	155	144	140	136	130	121	114	108	104	96
	100000	330	262	208	182	164	153	144	137	131	126	122	114	106	104	100	96	89	84	80	76	71
205	8000	-	-	531	464	421	391	368	350	335	322	311	292	271	265	255	246	229	215	204	195	181
	20000	-	493	391	342	311	288	271	258	246	238	229	215	200	195	188	181	168	158	150	143	133
	40000	493	391	311	271	246	229	215	204	195	188	181	171	158	154	150	143	133	125	119	114	106
	100000	363	288	229	200	181	168	158	150	144	138	134	125	117	114	110	106	98	92	88	84	78
206	8000	-	-	739	646	586	545	512	487	466	448	432	407	378	368	355	342	318	299	284	272	252
	20000	-	686	545	476	432	401	378	359	343	331	318	299	279	272	262	252	234	220	209	200	185
	40000	686	545	432	378	343	318	299	284	272	262	252	238	220	215	208	200	185	175	166	159	147
	100000	505	401	318	279	252	234	220	209	201	193	186	175	163	159	153	147	136	129	122	117	108
207	8000	-	-	978	854	776	720	678	644	616	592	572	538	500	487	470	453	421	395	375	360	333
	20000	-	908	720	629	572	530	500	475	454	438	421	395	369	360	346	333	310	292	277	264	245
	40000	908	720	572	500	454	421	395	375	360	346	333	314	292	284	275	264	245	231	220	210	195
	100000	669	530	421	369	333	310	292	277	266	255	246	231	215	210	203	195	180	170	161	155	143
208	8000	-	-	1230	1070	979	909	855	812	777	748	722	679	630	615	593	572	532	499	473	454	420
	20000	-	1140	909	794	722	669	630	599	573	552	532	499	466	454	437	420	391	368	350	333	309
	40000	1140	909	722	630	573	532	499	473	454	437	420	397	368	359	348	333	309	292	277	266	246
	100000	844	669	532	466	420	391	368	350	335	322	311	292	272	266	256	246	228	215	204	195	181
209	8000	-	-	1240	1080	984	914	860	817	782	751	725	683	634	618	596	575	534	501	476	457	423
	20000	-	1150	914	798	725	673	634	602	576	555	534	501	468	457	439	423	393	370	352	335	311
	40000	1150	914	725	634	576	534	501	476	457	439	423	399	370	361	350	335	311	293	279	267	247
	100000	848	673	534	468	423	393	370	352	337	324	313	293	273	267	257	247	229	216	205	196	182
210	8000	-	-	1330	1160	1050	982	924	877	840	807	779	733	681	664	641	617	574	538	511	491	451
	20000	-	1230	982	857	779	723	681	647	618	597	574	538	503	491	472	454	422	398	378	360	327
	40000	1230	982	779	681	618	574	538	511	491	472	454	428	398	387	375	360	334	315	300	287	267
	100000	911	723	574	503	454	422	398	378	362	348	336	315	294	287	276	265	246	232	220	211	197
211	8000	-	-	1640	1440	1300	1210	1140	1080	1040	1000	965	908	843	823	793	764	711	667	633	608	568
	20000	-	1530	1210	1060	965	895	843	801	766	739	711	667	623	608	584	562	523	492	468	446	416
	40000	1530	1210	965	843	766	711	667	633	608	584	562	530	492	480	465	446	414	390	371	355	325
	100000	1120	895	711	623	562	523	492	468	448	430	416	390	364	355	342	329	305	287	273	261	241
212	8000	-	-	1990	1740	1580	1460	1380	1310	1250	1200	1160	1090	1010	994	958	923	859	806	765	734	688
	20000	-	1850	1460	1280	1160	1080	1010	968	925	893	859	806	752	734	706	679	632	595	565	539	503
	40000	1850	1460	1160	1010	925	859	806	765	734	706	679	641	595	580	562	539	500	472	448	429	403
	100000	1360	1080	859	752	679	632	595	565	542	520	503	472	440	429	414	397	368	347	330	316	297
214	8000	-	-	2360	2060	1870	1740	1630	1550	1480	1430	1380	1300	1200	1170	1130	1090	1010	955	905	875	835
	20000	-	2190	1740	1520	1380	1280	1200	1140	1090	1050	1010	955	892	870	837	805	750	705	666	639	605
	40000	2190	1740	1380	1200	1090	1010	955	907	870	837	805	760	705	687	666	639	593	559	529	503	477
	100000	1610	1280	1010	892	805	750	705	670	642	617	596	559	521	509	490	471	437	412	391	374	357
215	8000	-	-	2340	2040	1850	1720	1620	1540	1470	1410	1370	1280	1190	1160	1120	1080	1000	945	895	865	825
	20000	-	2170	1720	1500	1370	1270	1190	1130	1080	1040	1000	946	884	862	829	798	743	703	663	633	597
	40000	2170	1720	1370	1190	1080	1000	946	899	862	829	798	753	699	681	660	633	587	557	527	501	475
	100000	1600	1270	1000	884	798	743	699	664	636	611	591	554	516	504	486	467	433	412	395	378	361
216	8000	-	-	2930	2560	2320	2160	2030	1930	1840	1770	1710	1610	1490	1460	1410	1350	1260	1205	1155	1105	1055
	20000	-	2720	2160	1880	1710	1590	1490	1420	1360	1310	1260	1180	1100	1080	1030	1000	930	885	855	825	785
	40000	2720	2160	1710	1490	1360	1260	1180	1120	1080	1030	1000	943	875	853	827	792	736	706	676	646	616
	100000	2000	1590	1260	1100	1000	930	875	832	797	765	740	694	647	632	609	585	542	512	482	452	422
218	8000	-	-	3630	3170	2880	2670	2510	2390	2280	2200	2120	2000	1850	1810	1740	1680	1580	1520	1470	1420	1370
	20000	-	3370	2670	2330	2120	1970	1850	1760	1680	1620	1560	1460	1370	1330	1280	1230	1160	1110	1060	1010	960
	40000	3370	2670	2120	1850	1680	1560	1460	1390	1330	1280	1230	1160	1080	1050	1020	982	932	892	862	832	802
	100000	2480	1970	1560	1370	1230	1150	1080	1030	988	948	917	860	801	783	754	724	674	634	604	574	544

See previous page for Basic Load Rating
 Operation in the shaded areas require frequent relubrication.
 If the load P is greater than .25C consult Rexnord Bearing Products.

ER, ER-K Series Housing Fits

Size Code	Outside Diameter of Bearing		Rotating Housing				Stationary Housing			
			Diameter		Resultant Fit		Diameter		Resultant Fit	
	Min	Max	Min	Max	Loose	Tight	Min	Max	Loose	Tight
204	1.8499	1.8540	1.8498	1.8504	0.0005	0.0006	1.8503	1.8509	0.0010	0.0001
205	2.0466	2.0472	2.0466	2.0471	0.0005	0.0006	2.0471	2.0476	0.0010	0.0001
206	2.4403	2.4409	2.4403	2.4408	0.0005	0.0006	2.4408	2.4413	0.0010	0.0001
207	2.8340	2.8346	2.8340	2.8345	0.0005	0.0006	2.8345	2.8350	0.0010	0.0001
208	3.1490	3.1496	3.1490	3.1495	0.0005	0.0006	3.1495	3.1500	0.0010	0.0001
209	3.3457	3.3465	3.3458	3.3464	0.0007	0.0007	3.3464	3.3470	0.0013	0.0001
210	3.5425	3.5433	3.5426	3.5432	0.0007	0.0007	3.5432	3.5438	0.0013	0.0001
211	3.9362	3.9370	3.9363	3.9369	0.0007	0.0007	3.9369	3.9375	0.0013	0.0001
212	4.3299	4.3307	4.3300	4.3306	0.0007	0.0007	4.3306	4.3312	0.0013	0.0001
214	4.9203	4.9213	4.9204	4.9212	0.0009	0.0009	4.9211	4.9219	0.0016	0.0002
215	5.1171	5.1181	5.1172	5.1180	0.0009	0.0009	5.1179	5.1187	0.0016	0.0002
216	5.5108	5.5118	5.5109	5.5117	0.0009	0.0009	5.5116	5.5124	0.0016	0.0002

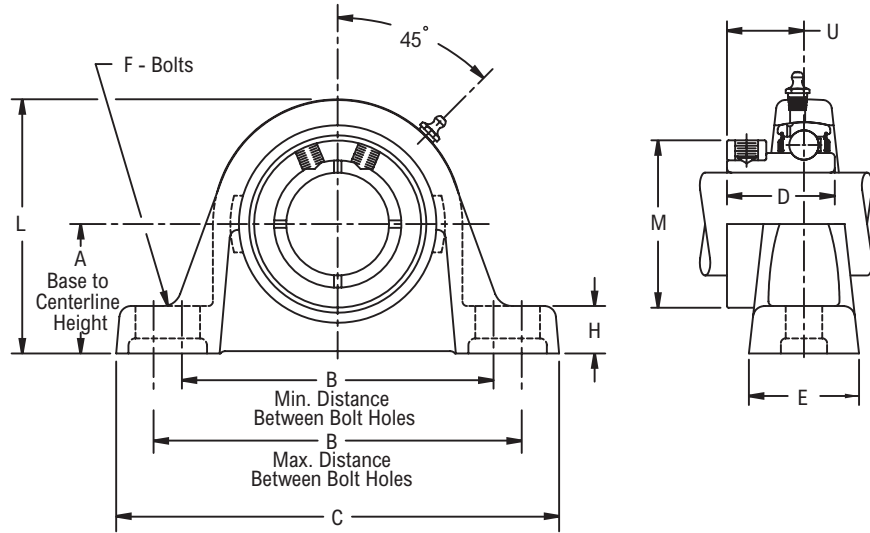
C25K (Scheduled to be discontinued in 2013)



Photo Shows a 2-Bolt Ball Bearing Pillow Block Unit

Product Features

- Corrosion-resistant powder coating
- Cast iron housing
- Broad range of sealing options
- Centrik-Lok shaft locking device
- Alignable & relubricatable
- See Features & Benefits for additional info.



Bearing Dimensions

Size Code	Shaft Diameter	Part Number	A Base to Centerline Height	B Distance Between Bolt Holes		C	D	E	F	H	L	M	U	Approx. Weight	
				Min	Max										
203	1/2	C25K-12♦♦ □Δ	1 3/16	3 1/8	4 1/8	5	63/64	1 5/16	3/8	1/2	2 9/32	1 1/8	41/64	1.11	
	5/8	C25K-58♦♦ □Δ										1 13/64		1.07	
	11/16	C25K-1116♦♦ □Δ										1 13/64		1.05	
204	3/4	C25K-34♦♦ □Δ	1 5/16	3 3/8	4 3/16	5 1/4	1 5/64	1 7/16	3/8	17/32	2 17/32	1 3/8	23/32	1.51	
205	7/8	C25K-78♦♦ □Δ	1 7/16	3 7/16	4 9/16	5 1/2	1 1/8	1 7/16	3/8	19/32	2 13/16	1 9/16	3/4	1.81	
	15/16	C25K-1516♦♦ □Δ												1 9/16	1.78
	1	C25K1♦♦ □Δ												1 9/16	1.75
	25.00	C25K-25♦♦ □Δ	36.52	87.30	115.90	139.70	28.58	36.52	10.00	15.10	71.40	39.70	19.00	0.80	
206	1 1/8	C25K1-18♦♦ □Δ	1 11/16	4 1/8	5 1/8	6 1/4	1 19/64	1 5/8	1/2	21/32	3 1/4	1 13/16	29/32	2.45	
	1 3/16	C25K1-316♦♦ □Δ										2		2.42	
	1 1/4	C25K1-14S♦♦ □Δ										2		2.39	
	30.00	C25K-30♦♦ □Δ										42.88		104.80	130.20
207	1 1/4	C25K1-14♦♦ □Δ	1 7/8	4 9/16	5 9/16	6 11/16	1 15/32	1 3/4	1/2	3/4	3 11/16	2	1 1/32	3.57	
	1 3/8	C25K1-38♦♦ □Δ										2 1/4		3.47	
	1 7/16	C25K1-716♦♦ □Δ										2 1/4		3.41	
208	1 1/2	C25K1-12♦♦ □Δ	2 1/8	5 1/32	6 1/32	7 1/4	1 9/16	1 7/8	1/2	7/8	4 1/8	2 1/2	1 5/64	4.60	
	1 5/8	C25K1-58♦♦ □Δ												4.46	
209	1 5/8	C25K1-58L♦♦ □Δ	2 1/8	5 13/32	6 17/32	7 3/4	1 19/32	2	1/2	29/32	4 1/4	2 1/2	1 1/16	5.28	
	1 11/16	C25K1-1116♦♦ □Δ										2 11/16		5.21	
	1 3/4	C25K1-34♦♦ □Δ										2 11/16		5.14	
210	1 7/8	C25K1-78♦♦ □Δ	2 1/4	5 27/32	6 27/32	8 1/4	1 41/64	2 1/8	5/8	1	4 1/2	2 7/8	1 3/32	6.28	
	1 15/16	C25K1-1516♦♦ □Δ												6.19	
	2	C25K2♦♦ □Δ												6.10	
	2	C25K2L♦♦ □Δ												7.78	
211	2 3/16	C25K2-316♦♦ □Δ	2 1/2	6 5/16	7 1/2	8 7/8	1 3/4	2 5/16	5/8	1	4 31/32	2 7/8	1 7/32	7.48	
	2 1/4	C25K2-14♦♦ □Δ										3 1/8		7.38	
	2 1/4	C25K2-14L♦♦ □Δ										3 1/8		10.12	
212	2 3/8	C25K2-38♦♦ □Δ	2 3/4	6 29/32	8 5/32	9 5/8	1 57/64	2 3/8	5/8	1 1/16	5 15/32	3 3/8	1 5/16	9.88	
	2 7/16	C25K2-716♦♦ □Δ												9.76	
215	2 15/16	C25K2-1516♦♦ □Δ	3 1/2	8 1/8	10 1/8	12	2 1/8	2 7/8	7/8	1 7/32	6 21/32	3 15/16	1 21/64	16.73	

Additional Notes

- Please call 1-866-REXNORD for availability
- Lubrication fitting tap size: for size codes 203 thru 205, 1/4-28 UNF: for all other size codes, 1/8 in PT
- Base to centerline tolerance, +/- .005 in (+/- 0.13 mm)
- Lip seals standard
- ♦ Available with E1 viton seals for size codes 212 and smaller
- ♦ Available with TFF viton seals for size codes above 212

- Available with free running style seals, add suffix ♦ FF, □ HFF or Δ MHFF for size codes 212 and smaller
- Add suffix ♦ FF, □ SFF or Δ MKFF for size codes above 212
- For the Selection Guide, Load Ratings and Speed Limits, see the MB Ball Bearing Engineering section
- Note: Dimensions subject to change. Certified dimensions of ordered material furnished on request.

C35K (Scheduled to be discontinued in 2013)

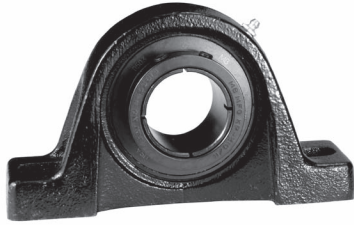
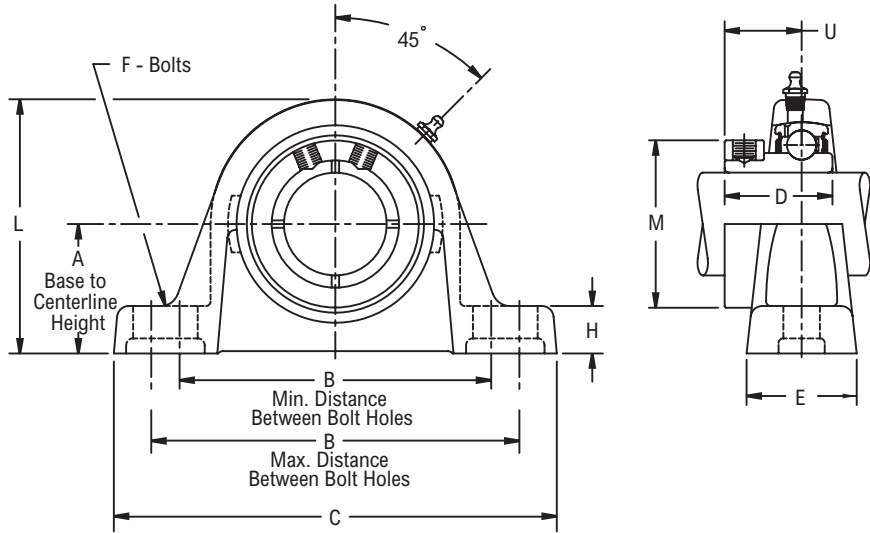


Photo Shows a 2-Bolt Ball Bearing Pillow Block Unit

Product Features

- Corrosion-resistant powder coating
- Cast iron housing
- Broad range of sealing options
- Centrik-Lok shaft locking device
- Alignable & relubricatable
- See Features & Benefits for additional info.



Bearing Dimensions

Size Code	Shaft Diameter	Part Number	A Base to Centerline Height	B Distance Between Bolt Holes		C	D	E	F	H	L	M	U	Approx. Weight
				Min	Max									
206	1	C35K1◆●□△	1 11/16	4 1/8	5 1/8	6 1/4	1 19/64	1 5/8	1/2	2 1/32	3 1/4	1 13/16	2 9/32	2.54
207	1 3/16	C35K1-316◆●□△	1 7/8	4 9/16	5 9/16	6 11/16	1 15/32	1 3/4	1/2	3/4	3 11/16	2	1 1/32	3.58
208	1 7/16	C35K1-716◆●□△	2 1/8	5 1/32	6 1/32	7 1/4	1 9/16	1 7/8	1/2	7/8	4 1/8	2 1/4	1 3/32	4.65
209	1 1/2	C35K1-12◆●□△	2 1/8	5 13/32	6 17/32	7 3/4	1 19/32	2	1/2	2 9/32	4 1/4	2 1/2	1 1/8	5.40
210	1 11/16	C35K1-1116◆●□△	2 1/4	5 27/32	6 27/32	8 1/4	1 41/64	2 1/8	5/8	1	4 1/2	2 3/4	1 5/32	6.53
	1 3/4	C35K1-34◆●□△												
211	1 15/16	C35K1-1516◆●□△	2 1/2	6 5/16	7 1/2	8 7/8	1 3/4	2 5/16	5/8	1	4 31/32	2 7/8	1 7/32	7.87
	2	C35K2◆●□△												
212	2 3/16	C35K2-316◆●□△	2 3/4	6 29/32	8 5/32	9 5/8	1 57/64	2 3/8	5/8	1 1/16	5 15/32	3 1/8	1 3/8	10.24
214	2 7/16	C35K2-716◆●□△◆	3	7 1/2	9 1/4	10 3/4	2 5/64	2 11/16	3/4	1 5/32	6	3 3/4	1 7/16	13.31
	2 1/2	C35K2-12◆●□△◆												
215	2 11/16	C35K2-1116◆●□△◆	3 1/2	8 1/8	10 1/8	12	2 1/8	2 7/8	7/8	1 7/32	6 21/32	3 15/16	1 15/32	17.36
216	2 15/16	C35K2-1516◆●□△◆	3 1/2	8 3/8	10 1/8	12	2 3/16	3	7/8	1 9/32	6 7/8	4 3/16	1 1/2	19.32
	3	C35K3◆●□△◆												
218	3 3/16	C35K3-316◆●□△◆	4	9 13/16	11 15/16	14	2 23/64	3 3/8	7/8	1 11/32	7 7/8	4 13/16	1 9/16	27.52
	3 7/16	C35K3-716◆●□△◆												
	3 1/2	C35K3-12◆●□△◆												

Additional Notes

- Please call 1-866-REXNORD for availability
- Lubrication fitting tap size, 1/8 in PT
- Base to centerline tolerance, +/- .005 in (+/- 0.13 mm)
- Lip seals standard
- ◆ Available with E1 viton seals for size codes 212 and smaller
- ◆ Available with TFF viton seals for size codes above 212
- Available with free running style seals, add suffix ● FF, □ HFF or △ MHFF for size codes 212 and smaller

- Add suffix ● FF, □ SFF or △ MKFF for size codes above 212
- For the Selection Guide, Load Ratings and Speed Limits, see the MB Ball Bearing Engineering section
- Note: Dimensions subject to change. Certified dimensions of ordered material furnished on request.

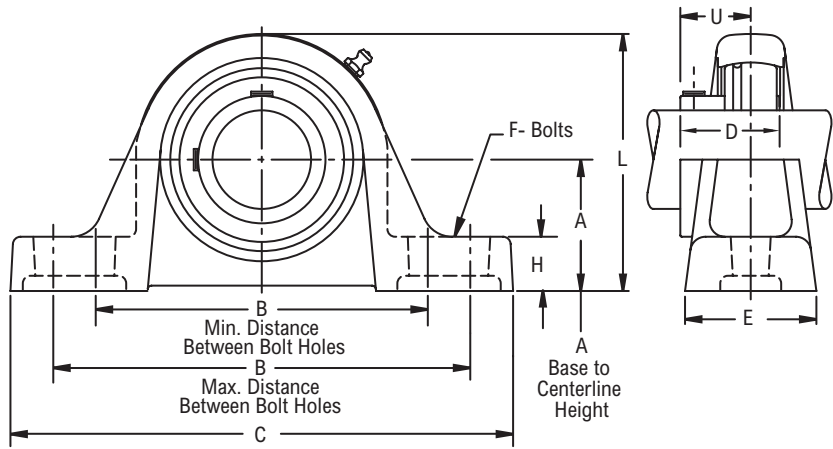
C35 (Scheduled to be discontinued in 2013)



Photo Shows a 2-Bolt Ball Bearing Pillow Block Unit

Product Features

- Corrosion-resistant powder coating
- Cast iron housing
- Broad range of sealing options
- Spring locking setscrew mount
- Alignable & relubricatable
- See Features & Benefits for additional info.



Bearing Dimensions

Size Code	Shaft Diameter	Part Number	A Base to Centerline Height	B Distance Between Bolt Holes		C	D	E	F	H	L	U	Approx. Weight
				Min	Max								
206	1	C351◆●□Δ	1 11/16	4 1/8	5 1/8	6 1/4	1 11/32	1 5/8	1/2	21/32	3 1/4	61/64	2.54
207	1 3/16	C351-316◆●□Δ	1 7/8	4 9/16	5 9/16	6 11/16	1 9/16	1 3/4	1/2	3/4	3 11/16	1 7/64	3.58
208	1 7/16	C351-716◆●□Δ	2 1/8	5 1/32	6 1/32	7 1/4	1 21/32	1 7/8	1/2	7/8	4 1/8	1 11/64	4.65
209	1 1/2	C351-12◆●□Δ	2 1/8	5 13/32	6 17/32	7 3/4	1 49/64	2	1/2	29/32	4 1/4	1 15/64	5.40
210	1 11/16	C351-1116◆●□Δ	2 1/4	5 27/32	6 27/32	8 1/4	1 13/16	2 1/8	5/8	1	4 1/2	1 17/64	6.53
	1 3/4	C351-34◆●□Δ											
211	1 15/16	C351-1516◆●□Δ	2 1/2	6 5/16	7 1/2	8 7/8	1 13/16	2 5/16	5/8	1	4 31/32	1 9/32	7.87
	2	C352◆●□Δ											
212	2 3/16	C352-316◆●□Δ	2 3/4	6 29/32	8 5/32	9 5/8	1 57/64	2 3/8	5/8	1 1/16	5 15/32	1 5/16	10.24
214	2 7/16	C352-716◆●□Δ	3	7 1/2	9 1/4	10 3/4	2 15/64	2 11/16	3/4	1 5/32	6	1 7/16	13.31
	2 1/2	C352-12◆●□Δ											
215	2 11/16	C352-1116◆●□Δ	3 1/2	8 1/8	10 1/8	12	2 17/64	2 7/8	7/8	1 7/32	6 21/32	1 15/32	17.36
216	2 15/16	C352-1516◆●□Δ	3 1/2	8 3/8	10 1/8	12	2 23/64	3	7/8	1 9/32	6 7/8	1 1/2	19.32
	3	C353◆●□Δ											
218	3 3/16	C353-316◆●□Δ	4	9 13/16	11 15/16	14	2 33/64	3 3/8	7/8	1 11/32	7 7/8	1 9/16	27.52
	3 7/16	C353-716◆●□Δ											
	3 1/2	C353-12◆●□Δ											

Additional Notes

- Please call 1-866-REXNORD for availability
- Lubrication fitting tap size, 1/8 in PT
- Base to centerline tolerance, +/- .005 in (+/- 0.13 mm)
- Lip seals standard
 - ◆ Available with E1 viton seals for size codes 212 and smaller
 - ◆ Available with TFF viton seals for size codes above 212
- Available with free running style seals, add suffix ● FF, □ HFF or Δ MHFF for size codes 212 and smaller

- Add suffix ● FF, □ SFF or Δ MKFF for size codes above 212
- For the Selection Guide, Load Ratings and Speed Limits, see the MB Ball Bearing Engineering section
- Note: Dimensions subject to change. Certified dimensions of ordered material furnished on request.

CL25K (Scheduled to be discontinued in 2013)

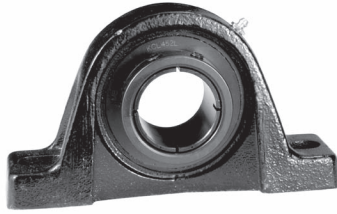
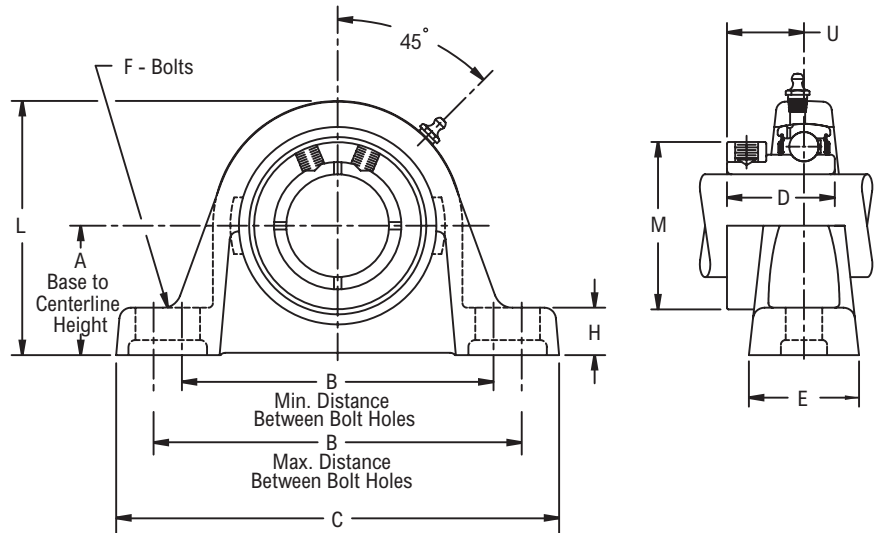


Photo Shows a 2-Bolt Ball Bearing Pillow Block Unit

Product Features

- Corrosion-resistant powder coating
- Cast iron housing
- Broad range of sealing options
- Centrik-Lok shaft locking device
- Alignable & relubricatable
- Low base to center height
- See Features & Benefits for additional info.



Bearing Dimensions

Size Code	Shaft Diameter	Part Number	A Base to Centerline Height	B Distance Between Bolt Holes		C	D	E	F	H	L	M	U	Approx. Weight
				Min	Max									
203	1/2	CL25K-12♦♦ □Δ	1 1/16	3 1/8	4 1/8	5	63/64	1 5/16	3/8	3/8	2 5/32	1 1/8	4 1/64	1.06
	5/8	CL25K-58♦♦ □Δ										1 13/64		1.02
	11/16	CL25K-1116♦♦ □Δ										1 13/64		1.00
204	3/4	CL25K-34♦♦ □Δ	1 1/4	3 3/8	4 3/16	5 1/4	1 5/64	1 7/16	3/8	15/32	2 15/32	1 3/8	23/32	1.44
205	7/8	CL25K-78♦♦ □Δ	1 5/16	3 7/16	4 9/16	5 1/2	1 1/8	1 7/16	3/8	15/32	2 11/16	1 9/16	3/4	1.71
	15/16	CL25K-1516♦♦ □Δ												1.68
	1	CL25K1♦♦ □Δ												1.67
	25.00	CL25K-25♦♦ □Δ	33.32	87.30	115.90	132.10	28.58	36.52	10.00	11.90	68.30	39.70	19.00	0.80
206	1 1/8	CL25K1-18♦♦ □Δ	1 9/16	4 1/8	5 1/8	6 1/4	1 19/64	1 5/8	1/2	17/32	3 1/8	1 13/16	29/32	2.27
	1 3/16	CL25K1-316♦♦ □Δ										2.24		
	1 1/4	CL25K1-14S♦♦ □Δ										2		2.21
	30.00	CL25K-30♦♦ □Δ	39.67	104.80	130.20	158.80	32.94	41.28	12.00	13.50	79.38	50.80	23.00	1.00
207	1 1/4	CL25K1-14♦♦ □Δ	1 13/16	4 9/16	5 9/16	6 11/16	1 15/32	1 3/4	1/2	11/16	3 5/8	2	1 1/32	3.47
	1 3/8	CL25K1-38♦♦ □Δ										3.37		
	1 7/16	CL25K1-716♦♦ □Δ										2 1/4		3.31
208	1 1/2	CL25K1-12♦♦ □Δ	1 15/16	5 1/32	6 1/32	7 1/4	1 9/16	1 7/8	1/2	11/16	3 15/16	2 1/2	1 5/64	4.54
	1 5/8	CL25K1-58♦♦ □Δ												4.40
	1 5/8	CL25K1-58L♦♦ □Δ												5.22
209	1 11/16	CL25K1-1116♦♦ □Δ	2 1/16	5 13/32	6 17/32	7 3/4	1 19/32	2	1/2	27/32	4 3/16	2 1/2	1 1/16	5.15
	1 3/4	CL25K1-34♦♦ □Δ												5.08
	1 7/8	CL25K1-78♦♦ □Δ												6.15
210	1 15/16	CL25K1-1516♦♦ □Δ	2 3/16	5 27/32	6 27/32	8 1/4	1 41/64	2 1/8	5/8	15/16	4 7/16	2 7/8	1 3/32	6.06
	2	CL25K2♦♦ □Δ												5.97
	2	CL25K2L♦♦ □Δ												7.61
	2 3/16	CL25K2-316♦♦ □Δ												7.31
211	2 1/4	CL25K2-14♦♦ □Δ	2 7/16	6 5/16	7 1/2	8 7/8	1 3/4	2 5/16	5/8	15/16	4 29/32	3 1/8	1 7/32	7.21
	2 3/8	CL25K2-316♦♦ □Δ												7.31
	2 1/4	CL25K2-14L♦♦ □Δ												10.07
212	2 3/8	CL25K2-38♦♦ □Δ	2 11/16	6 29/32	8 5/32	9 5/8	1 57/64	2 3/8	5/8	1	5 13/32	3 3/8	1 5/16	9.83
	2 7/16	CL25K2-716♦♦ □Δ												9.71
	2 15/16	CL25K2-1516♦♦ □Δ												16.23

Additional Notes

- Please call 1-866-REXNORD for availability
- Lubrication fitting tap size: for size codes 203 thru 205, 1/4-28 UNF; for all other size codes, 1/8 in PT
- Base to centerline tolerance, +/- .005 in (+/- 0.13 mm)
- Lip seals standard
- ♦ Available with E1 viton seals for size codes 212 and smaller
- ♦ Available with TFF viton seals for size codes above 212

Available with free running style seals, add suffix ♦ FF, □ HFF or Δ MHFF for size codes 212 and smaller
 Add suffix ♦ FF, □ SFF or Δ MKFF for size codes above 212
 For the Selection Guide, Load Ratings and Speed Limits, see the MB Ball Bearing Engineering section
 Note: Dimensions subject to change. Certified dimensions of ordered material furnished on request.

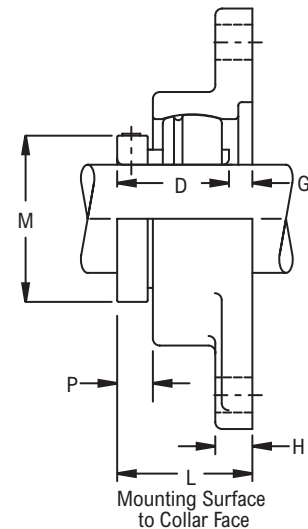
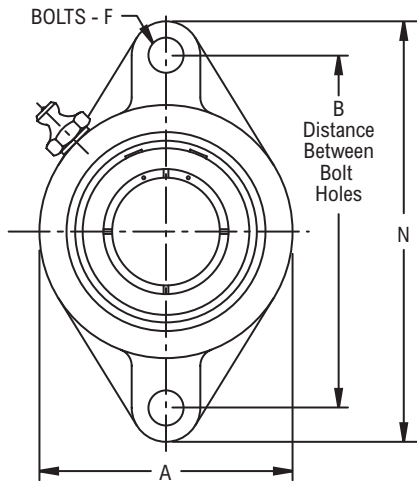
FC225K (Scheduled to be discontinued in 2013)



Photo Shows a 2-Bolt Ball Bearing Flanged Unit

Product Features

- Corrosion-resistant powder coating
- Cast iron housing
- Broad range of sealing options
- Centrik-Lok shaft locking device
- Alignable & relubricatable
- See Features & Benefits for additional info.



Bearing Dimensions

Size Code	Shaft Diameter	Part Number	B Distance Between Bolt Holes	L Mounting Surface to Collar Face	A	D	F	G	H	M	N	P	Approx. Weight
203	1/2	FC225K-12◆□△	3	1 1/8	2 5/16	63/64	3/8	9/64	3/8	1 1/8	3 7/8	5/16	0.81
	5/8	FC225K-58◆□△								1 13/64			0.77
	11/16	FC225K-1116◆□△								1 13/64			0.75
204	3/4	FC225K-34◆□△	3 17/32	1 9/32	2 3/8	1 5/64	3/8	5/32	7/16	1 3/8	4 13/32	13/32	0.91
	20.00	FC225K-20◆□△	89.69	32.20	60.30	27.38	10.00	4.00	11.10	34.90	111.90	10.30	0.40
205	7/8	FC225K-78◆□△	3 57/64	1 5/16	2 3/4	1 1/8	7/16	1/8	1/2	1 9/16	4 7/8	7/16	1.32
	15/16	FC225K-1516◆□△								1 9/16			1.29
	1	FC225K1◆□△								1 9/16			1.26
206	25.00	FC225K-25◆□△	98.82	33.30	69.80	28.58	10.00	3.20	12.70	39.70	123.80	11.10	0.60
	1 1/8	FC225K1-18◆□△	4 19/32	1 1/2	3 3/16	1 19/64	7/16	1/8	17/32	1 13/16	5 9/16	9/16	1.79
	1 3/16	FC225K1-316◆□△								2			1.75
1 1/4	FC225K1-14S◆□△	2								1.71			
207	1 1/4	FC225K1-14◆□△	5 1/8	1 23/32	3 11/16	1 15/32	1/2	5/32	9/16	2	6 1/8	2 1/32	2.69
	1 3/8	FC225K1-38◆□△								2 1/4			2.59
	1 7/16	FC225K1-716◆□△								2 1/4			2.54
208	1 1/2	FC225K1-12◆□△	5 21/32	1 13/16	4 1/8	1 9/16	1/2	11/64	9/16	2 1/2	6 3/4	2 1/32	3.47
	1 5/8	FC225K1-58◆□△								2 1/2			3.33
	40.00	FC225K-40◆□△								143.67			46.00
209	1 5/8	FC225K1-58L◆□△	5 27/32	1 29/32	4 3/8	1 19/32	9/16	11/64	9/16	2 1/2	7 1/16	23/32	3.46
	1 11/16	FC225K1-1116◆□△								2 11/16			3.39
	1 3/4	FC225K1-34◆□△								2 11/16			3.32
210	1 7/8	FC225K1-78◆□△	6 3/16	1 29/32	4 9/16	1 41/64	9/16	5/32	5/8	2 7/8	7 15/32	23/32	4.43
	1 15/16	FC225K1-1516◆□△								2 7/8			4.34
	2	FC225K2◆□△								2 7/8			4.25
211	2	FC225K2L◆□△	7 1/4	2	5	1 3/4	5/8	5/32	23/32	2 7/8	8 1/2	11/16	6.04
	2 3/16	FC225K2-316◆□△								3 1/8			5.74
	2 1/4	FC225K2-14◆□△								3 1/8			5.60

Additional Notes

- Please call 1-866-REXNORD for availability
- Lubrication fitting tap size: for size codes 203 thru 205, 1/4-28 UNF: for all other size codes, 1/8 in PT
- Lip seals standard
- ◆ Available with E1 viton seals
- Available with free running style seals, add suffix ● FF, □ HFF or △ MHFF
- For the Selection Guide, Load Ratings and Speed Limits, see the MB Ball Bearing Engineering section

Note: Dimensions subject to change. Certified dimensions of ordered material furnished on request.

FC435K (Scheduled to be discontinued in 2013)

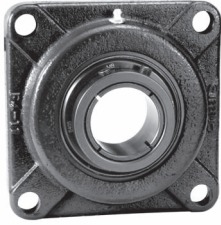
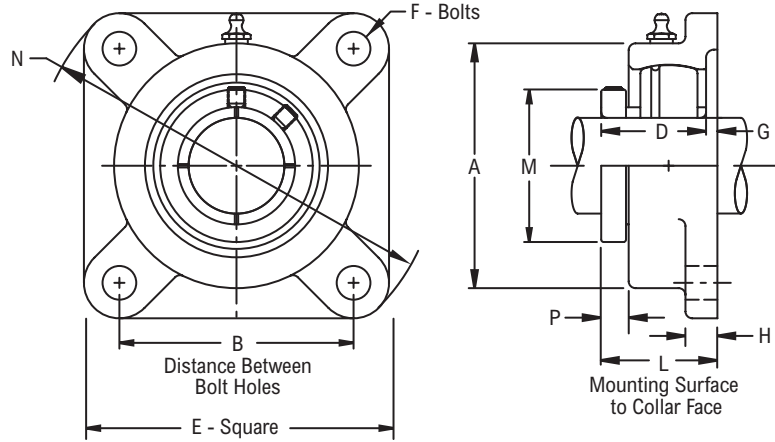


Photo Shows a 4-Bolt Ball Bearing Flanged Unit

Product Features

- Corrosion-resistant powder coating
- Cast iron housing
- Broad range of sealing options
- Centrik-Lok shaft locking device
- Alignable & relubricatable
- See Features & Benefits for additional info.



Bearing Dimensions

Size Code	Shaft Diameter	Part Number	B Distance Between Bolt Holes	L Mounting Surface to Collar Face	A	D	E	F	G	H	M	N	P	Approx. Weight
206	1	FC435K1◆●□△	3 1/4	1 1/2	3 3/16	1 19/64	4 1/4	7/16	1/8	1/2	1 13/16	5 19/32	9/16	2.54
207	1 3/16	FC435K1-316◆●□△	3 5/8	1 23/32	3 11/16	1 15/32	4 5/8	1/2	5/32	1/2	2	6 1/8	21/32	3.32
208	1 7/16	FC435K1-716◆●□△	4	1 13/16	4 1/16	1 9/16	5 1/4	1/2	11/64	9/16	2 1/4	6 25/32	21/32	4.55
209	1 1/2	FC435K1-12◆●□△	4 1/8	1 29/32	4 5/16	1 19/32	5 3/8	9/16	11/64	9/16	2 1/2	7 3/32	23/32	5.03
210	1 11/16	FC435K1-1116◆●□△	4 3/8	1 29/32	4 1/2	1 41/64	5 5/8	9/16	5/32	9/16	2 3/4	7 7/16	23/32	5.59
	1 3/4	FC435K1-34◆●□△												
211	1 15/16	FC435K1-1516◆●□△	5 1/8	2	5 3/16	1 3/4	6 3/8	5/8	5/32	5/8	2 7/8	8 1/2	11/16	7.69
	2	FC435K2◆●□△												
212	2 3/16	FC435K2-316◆●□△	5 5/8	2 3/32	5 7/16	1 57/64	6 7/8	5/8	13/64	11/16	3 1/8	9 9/32	21/32	9.34
214	2 7/16	FC435K2-716◆●□△◆	5 7/8	2 3/8	6 1/8	2 5/64	7 3/8	5/8	19/64	11/16	3 3/4	9 13/16	23/32	12.27
	2 1/2	FC435K2-12◆●□△◆												
215	2 11/16	FC435K2-1116◆●□△◆	6	2 13/32	6 7/16	2 1/8	7 3/4	3/4	9/32	3/4	3 15/16	10 1/4	23/32	13.75
216	2 15/16	FC435K2-1516◆●□△◆	6	2 17/32	6 3/4	2 3/16	7 3/4	3/4	21/64	13/16	4 3/16	10 1/4	11/16	15.25
	3	FC435K3◆●□△◆												
218	3 3/16	FC435K3-316◆●□△◆	6 3/4	2 47/64	7 3/4	2 23/64	8 7/16	3/4	3/8	15/16	4 13/16	11 1/4	11/16	21.10
	3 7/16	FC435K3-716◆●□△◆												
	3 1/2	FC435K3-12◆●□△◆												

Additional Notes

- Please call 1-866-REXNORD for availability
- Lubrication fitting tap size, 1/8 in PT
- Lip seals standard
- ◆ Available with E1 viton seals for size codes 212 and smaller
- ◆ Available with TFF viton seals for size codes above 212
- Available with free running style seals, add suffix ● FF, □ HFF or △ MHFF for size codes 212 and smaller
- Add suffix ● FF, □ SFF or △ MKFF for size codes above 212

For the Selection Guide, Load Ratings and Speed Limits, see the MB Ball Bearing Engineering section

Note: Dimensions subject to change. Certified dimensions of ordered material furnished on request.

FC435 (Scheduled to be discontinued in 2013)

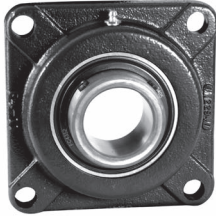
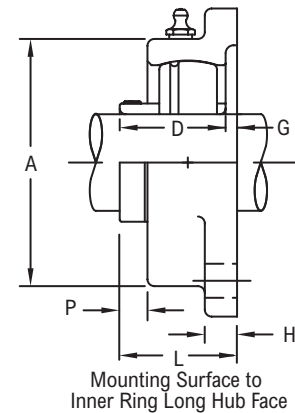
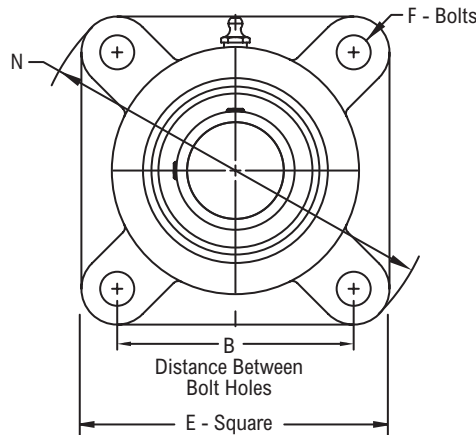


Photo Shows a 4-Bolt Ball Bearing Flanged Unit

Product Features

- Corrosion-resistant powder coating
- Cast iron housing
- Broad range of sealing options
- Spring locking setscrew mount
- Alignable & relubricatable
- See Features & Benefits for additional info.



Bearing Dimensions

Size Code	Shaft Diameter	Part Number	B Distance Between Bolt Holes	L Mounting Surface to Inner Ring Long Hub Face	A	D	E	F	G	H	N	P	Approx. Weight
206	1	FC4351◆●□△	3 1/4	1 1/2	3 3/16	1 11/32	4 1/4	7/16	9/64	1/2	5 19/32	9/16	2.58
207	1 3/16	FC4351-316◆●□△	3 5/8	1 23/32	3 11/16	1 9/16	4 5/8	1/2	9/64	1/2	6 1/8	21/32	3.32
208	1 7/16	FC4351-716◆●□△	4	1 13/16	4 1/16	1 21/32	5 1/4	1/2	5/32	9/16	6 25/32	21/32	4.55
209	1 1/2	FC4351-12◆●□△	4 1/8	1 29/32	4 5/16	1 49/64	5 3/8	1/2	1/8	9/16	7 3/32	23/32	5.03
210	1 11/16	FC4351-1116◆●□△	4 3/8	1 29/32	4 1/2	1 13/16	5 5/8	9/16	7/64	9/16	7 7/16	23/32	5.59
	1 3/4	FC4351-34◆●□△											
211	1 15/16	FC4351-1516◆●□△	5 1/8	2	5 3/16	1 13/16	6 3/8	5/8	11/64	5/8	8 1/2	11/16	7.69
	2	FC4352◆●□△											
212	2 3/16	FC4352-316◆●□△	5 5/8	2 3/32	5 7/16	1 57/64	6 7/8	5/8	13/64	11/16	9 9/32	21/32	9.34
214	2 7/16	FC4352-716◆●□△◆	5 7/8	2 3/8	6 1/8	2 15/64	7 3/8	5/8	1/8	11/16	9 13/16	23/32	12.27
	2 1/2	FC4352-12◆●□△◆											
215	2 11/16	FC4352-1116◆●□△◆	6	2 13/32	6 7/16	2 17/64	7 3/4	3/4	1/8	3/4	10 1/4	23/32	13.75
216	2 15/16	FC4352-1516◆●□△◆	6	2 17/32	6 3/4	2 23/64	7 3/4	3/4	11/64	13/16	10 1/4	11/16	15.25
	3	FC4353◆●□△◆											
218	3 3/16	FC4353-316◆●□△◆	6 3/4	2 47/64	7 3/4	2 33/64	8 7/16	3/4	7/32	15/16	11 1/4	21/32	21.10
	3 7/16	FC4353-716◆●□△◆											
	3 1/2	FC4353-12◆●□△◆											

Additional Notes

- Please call 1-866-REXNORD for availability
- Lubrication fitting tap size, 1/8 in PT
- Lip seals standard
- ◆ Available with E1 viton seals for size codes 212 and smaller
- ◆ Available with TFF viton seals for size codes above 212
- Available with free running style seals, add suffix ● FF, □ HFF or △ MHFF for size codes 212 and smaller
- Add suffix ● FF, □ SFF or △ MKFF for size codes above 212

For the Selection Guide, Load Ratings and Speed Limits, see the MB Ball Bearing Engineering section

Note: Dimensions subject to change. Certified dimensions of ordered material furnished on request.

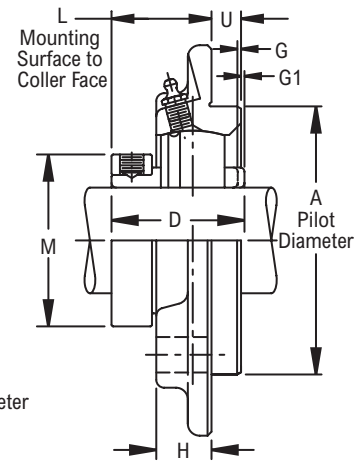
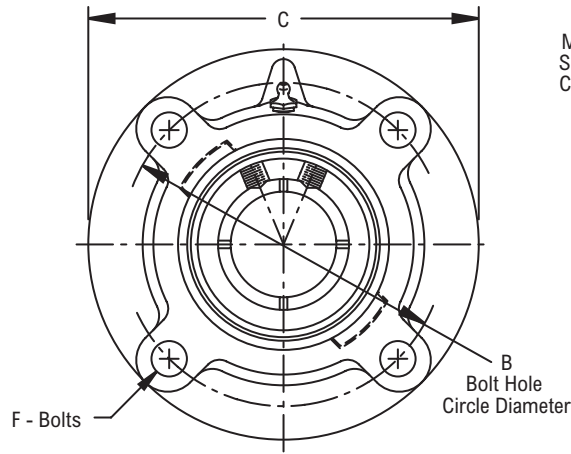
PFC425K (Scheduled to be discontinued in 2013)



Photo Shows a 4-Bolt Ball Bearing Flanged Cartridge Unit

Product Features

- Corrosion-resistant powder coating
- Cast iron housing
- Broad range of sealing options
- Centrik-Lok shaft locking device
- Alignable & relubricatable
- See Features & Benefits for additional info.



Bearing Dimensions

Size Code	Shaft Diameter	Part Number	A Pilot Diameter	B Bolt Hole Circle Diameter	L Mounting Surface to Collar Face	C	D	F	G & G1	H	M	U	Approx. Weight	
207	1 1/4	PFC425K1-14◆□△	3.375	4 1/8	1 33/64	5	1 15/32	7/16	11/64	7/8	2	3/8	3.13	
	1 3/8	PFC425K1-38◆□△									2 1/4		3.03	
	1 7/16	PFC425K1-716◆□△											2.97	
208	1 1/2	PFC425K1-12◆□△	3.625	4 3/8	1 17/32	5 1/4	1 9/16	7/16	5/32	7/8	2 1/2	7/16	3.63	
	1 5/8	PFC425K1-58◆□△										3.49		
209	1 5/8	PFC425K1-58L◆□△	3.625	4 3/8	1 37/64	5 1/4	1 19/32	7/16	11/64	7/8	2 1/2	7/16	3.76	
	1 11/16	PFC425K1-1116◆□△									2 11/16		3.66	
	1 3/4	PFC425K1-34◆□△											3.59	
210	1 7/8	PFC425K1-78◆□△	4.250	5 1/8	1 19/32	6 1/8	1 41/64	1/2	11/64	7/8	2 7/8	15/32	4.97	
	1 15/16	PFC425K1-1516◆□△												4.88
	2	PFC425K2◆□△												4.79
211	2	PFC425K2L◆□△	4.500	5 3/8	1 35/64	6 3/8	1 3/4	1/2	15/64	7/8	2 7/8	5/8	5.87	
	2 3/16	PFC425K2-316◆□△									3 1/8		5.57	
	2 1/4	PFC425K2-14◆□△											5.47	
212	2 1/4	PFC425K2-14L◆□△	5.000	6	1 11/16	7 1/8	1 57/64	9/16	37/64	1	3 1/8	7/8	8.40	
	2 3/8	PFC425K2-38◆□△									3 3/8		8.16	
	2 7/16	PFC425K2-716◆□△											8.04	
215	2 15/16	PFC425K2-1516◆□△	6.375	7 1/2	1 23/32	8 3/4	2 1/8	5/8	1/4	1	3 15/16	1	13.44	

Additional Notes

- Please call 1-866-REXNORD for availability
- Lubrication fitting tap size, 1/8 in PT
- Pilot Diameter tolerance, +.000 in/-0.002 in (+0.00 mm/-0.05 mm)
- Bore tolerance for mounting, +.002 in/-0.000 in (+0.05 mm/-0.00 mm)
- For size codes 207 & 212, use the G dimension; for all other size codes use G1
- Lip seals standard
- ◆ Available with E1 viton seals for size codes 212 and smaller

- ◆ Available with TFF viton seals for size codes above 212
- Available with free running style seals, add suffix ◆ FF, □ HFF or △ MHFF for size codes 212 and smaller
- Add suffix ◆ FF, □ SFF or △ MKFF for size codes above 212
- For the Selection Guide, Load Ratings and Speed Limits, see the MB Ball Bearing Engineering section
- Note: Dimensions subject to change. Certified dimensions of ordered material furnished on request.

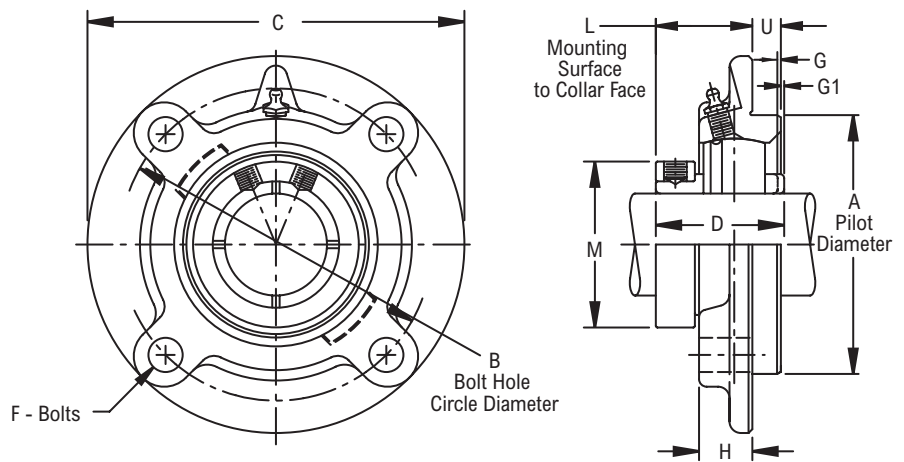
PFC435K (Scheduled to be discontinued in 2013)



Photo Shows a 4-Bolt Ball Bearing Flanged Cartridge Unit

Product Features

- Corrosion-resistant powder coating
- Cast iron housing
- Broad range of sealing options
- Centrik-Lok shaft locking device
- Alignable & relubricatable
- See Features & Benefits for additional info.



Bearing Dimensions

Size Code	Shaft Diameter	Part Number	A Pilot Diameter	B Bolt Hole Circle Diameter	L Mounting Surface to Collar Face	C	D	F	G & G1	H	M	U	Approx. Weight
207	1 3/16	PFC435K1-316◆●□△	3.375	4 1/8	1 33/64	5	1 15/32	7/16	11/64	7/8	2	3/8	3.14
208	1 7/16	PFC435K1-716◆●□△	3.625	4 3/8	1 17/32	5 1/4	1 9/16	7/16	5/32	7/8	2 1/4	7/16	3.69
209	1 1/2	PFC435K1-12◆●□△	3.625	4 3/8	1 37/64	5 1/4	1 19/32	7/16	11/64	7/8	2 1/2	7/16	3.85
210	1 11/16	PFC435K1-1116◆●□△	4.250	5 1/8	1 19/32	6 1/8	1 41/64	1/2	11/64	7/8	2 3/4	15/32	5.72
	1 3/4	PFC435K1-34◆●□△											
211	1 15/16	PFC435K1-1516◆●□△	4.500	5 3/8	1 35/64	6 3/8	1 3/4	1/2	15/64	7/8	2 7/8	5/8	5.96
212	2 3/16	PFC435K2-316◆●□△	5.000	6	1 11/64	7 1/8	1 57/64	9/16	37/64	1	3 1/8	1	8.52
214	2 7/16	PFC435K2-716◆●□△	5.500	6 1/2	1 23/32	7 5/8	2 5/64	9/16	1/4	1	3 3/4	1	10.27
	2 1/2	PFC435K2-12◆●□△											
215	2 11/16	PFC435K2-1116◆●□△	6.375	7 1/2	1 23/32	8 3/4	2 1/8	5/8	1/4	1	3 15/16	1	14.07
216	2 15/16	PFC435K2-1516◆●□△	6.375	7 1/2	1 11/16	8 3/4	2 3/16	5/8	11/64	1 1/8	4 3/16	1	14.28
	3	PFC435K3◆●□△											
218	3 3/16	PFC435K3-316◆●□△	7.375	8 5/8	1 51/64	10 1/4	2 23/64	3/4	5/32	1 1/8	4 13/16	1 1/8	21.90
	3 7/16	PFC435K3-716◆●□△											
	3 1/2	PFC435K3-12◆●□△											

Additional Notes

- Please call 1-866-REXNORD for availability
- Lubrication fitting tap size, 1/8 in PT
- Pilot Diameter tolerance, +.000 in/-0.002 in (+0.00 mm/-0.05 mm)
- Bore tolerance for mounting, +.002 in/-0.000 in (+0.05 mm/-0.00 mm)
- For size codes 207 & 212, use the G dimension; for all other size codes use G1
- Lip seals standard
- ◆ Available with E1 viton seals for size codes 212 and smaller
- ◆ Available with TFF viton seals for size codes above 212

- Available with free running style seals, add suffix ● FF, □ HFF or △ MHFF for size codes 212 and smaller
- Add suffix ● FF, □ SFF or △ MKFF for size codes above 212
- For the Selection Guide, Load Ratings and Speed Limits, see the MB Ball Bearing Engineering section
- Note: Dimensions subject to change. Certified dimensions of ordered material furnished on request.

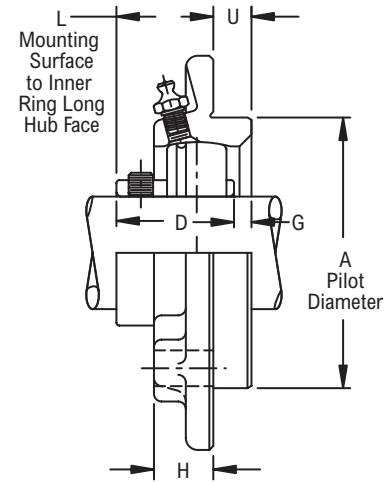
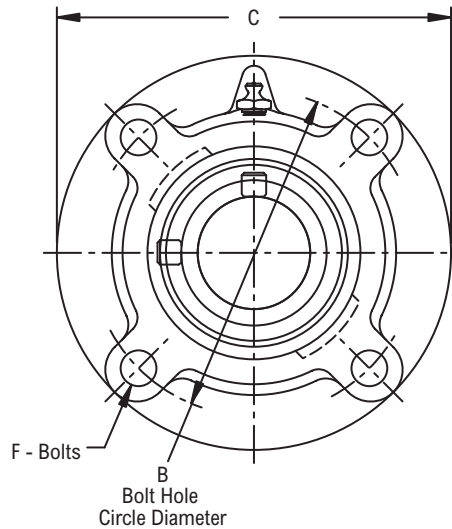
PFC435 (Scheduled to be discontinued in 2013)



Photo Shows a 4-Bolt Ball Bearing Flanged Cartridge Unit

Product Features

- Corrosion-resistant powder coating
- Cast iron housing
- Broad range of sealing options
- Spring locking setscrew mount
- Alignable & relubricatable
- See Features & Benefits for additional info.



Bearing Dimensions

Size Code	Shaft Diameter	Part Number	A Pilot Diameter	B Bolt Hole Circle Diameter	L Mounting Surface to Inner Ring Long Hub Face	C	D	F	G	H	U	Approx. Weight
207	1 3/16	PFC4351-316◆●□△	3.375	4 1/8	1 33/64	5	1 9/16	7/16	17/64	7/8	3/8	3.14
208	1 7/16	PFC4351-716◆●□△	3.625	4 3/8	1 17/32	5 1/4	1 21/32	7/16	1/4	7/8	7/16	3.69
209	1 1/2	PFC4351-12◆●□△	3.625	4 3/8	1 37/64	5 1/4	1 49/64	7/16	3/16	7/8	7/16	3.85
210	1 11/16	PFC4351-1116◆●□△	4.250	5 1/8	1 19/32	6 1/8	1 13/16	1/2	13/64	7/8	15/32	5.72
	1 3/4	PFC4351-34◆●□△										
211	1 15/16	PFC4351-1516◆●□△	4.500	5 3/8	1 35/64	6 3/8	1 13/16	1/2	19/64	7/8	5/8	5.96
	2	PFC4352◆●□△										
212	2 3/16	PFC4352-316◆●□△	5.000	6	1 11/64	7 1/8	1 57/64	9/16	37/64	1	1	8.52
214	2 7/16	PFC4352-716◆●□△	5.500	6 1/2	1 23/32	7 5/8	2 15/64	9/16	27/64	1	1	10.27
	2 1/2	PFC4352-12◆●□△										
215	2 11/16	PFC4352-1116◆●□△	6.375	7 1/2	1 23/32	8 3/4	2 17/64	5/8	25/64	1	1	14.07
216	2 15/16	PFC4352-1516◆●□△	6.375	7 1/2	1 11/16	8 3/4	2 23/64	5/8	21/64	1 1/8	1	13.92
	3	PFC4353◆●□△										
218	3 3/16	PFC4353-316◆●□△	7.375	8 5/8	1 51/64	10 1/4	2 33/64	3/4	25/64	1 1/8	1 1/8	21.50
	3 7/16	PFC4353-716◆●□△										
	3 1/2	PFC4353-12◆●□△										

Additional Notes

- Please call 1-866-REXNORD for availability
- Lubrication fitting tap size, 1/8 in PT
- Pilot Diameter tolerance, +.000 in/-.002 in (+0.00 mm/-0.05 mm)
- Bore tolerance for mounting, +.002 in/-.000 in (+0.05 mm/-0.00 mm)
- Lip seals standard
- ◆ Available with E1 viton seals for size codes 212 and smaller
- ◆ Available with TFF viton seals for size codes above 212

Available with free running style seals, add suffix ● FF, □ HFF or △ MHFF for size codes 212 and smaller
 Add suffix ● FF, □ SFF or △ MKFF for size codes above 212
 For the Selection Guide, Load Ratings and Speed Limits, see the MB Ball Bearing Engineering section
 Note: Dimensions subject to change. Certified dimensions of ordered material furnished on request.

FPS225

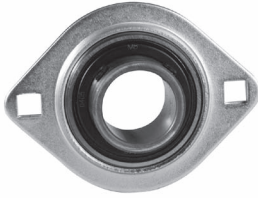
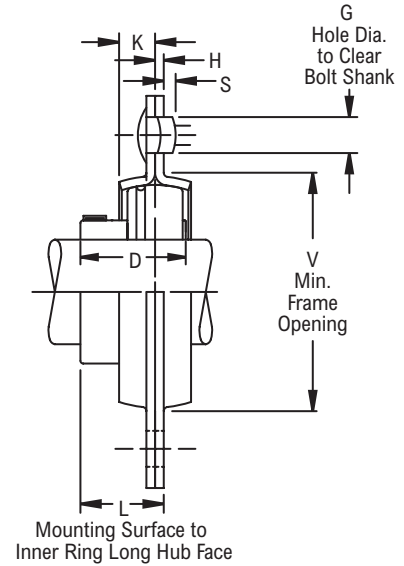
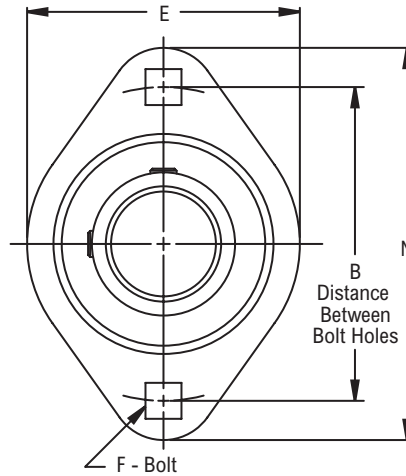


Photo Shows a 2-Bolt Ball Bearing Flanged Unit with Stamped Steel Housing

Product Features

- 2-piece formed steel housing
- Spring locking setscrew mount
- Alignable & non-relubricatable
- 2-bolt carriage mounting
- See Features & Benefits for additional info.



Bearing Dimensions

Size Code	Shaft Diameter	Part Number	B Distance Between Bolt Holes	F Bolt		G Hole Dia. to Clear Bolt Shank	L Mounting Surface to Inner Ring Long Hub Face	V Frame Opening	D	E	H	K	N	S Carriage Bolt		Radial Load Rating	Approx. Weight
				Hole Size	Bolt Size									Short Shank	Long Shank		
203	1/2	FPS225-12◆□△	2 1/2	9/32	1/4	13/32	23/32	1 15/16	63/64	2 5/16	0.075	9/32	3 3/16	0.006	0.100	600	0.44
	5/8	FPS225-58◆□△															0.40
	11/16	FPS225-1116◆□△															0.38
204	3/4	FPS225-34◆□△	2 13/16	11/32	5/16	1/2	53/64	2 3/16	1 1/8	2 5/8	0.083	5/16	3 9/16	0.021	0.115	700	0.57
	20.00	FPS225-20◆□△	71.40	8.730	5/16	12.70	21.00	55.60	28.58	66.70	2.110	7.90	90.50	0.021	0.115	3,110	0.30
205	7/8	FPS225-78◆□△	3	11/32	5/16	1/2	7/8	2 3/8	1 11/64	2 61/64	0.083	11/32	3 3/4	0.021	0.115	800	0.73
	15/16	FPS225-1516◆□△															0.70
	1	FPS2251◆□△															0.67
	25.00	FPS225-25◆□△	76.20	8.730	5/16	12.70	22.20	60.30	29.77	71.00	2.110	8.70	95.20	0.021	0.115	3,560	0.30
206	1 1/8	FPS2251-18◆□△	3 9/16	13/32	3/8	19/32	1 1/16	2 13/16	1 11/32	3 5/16	0.104	11/32	4 7/16	0.011	0.104	1,100	1.07
	1 3/16	FPS2251-316◆□△															1.04
	1 1/4	FPS2251-14S◆□△															1.01
	30.00	FPS225-30◆□△	90.50	10.320	3/8	15.10	27.00	71.40	34.14	84.10	2.640	8.70	112.70	0.011	0.104	4,890	0.50

Additional Notes

- Please call 1-866-REXNORD for availability
- Lip seals standard
- ◆ Available with E1 viton seals
- Available with free running style seals, add suffix ● FF, □ HFF or △ MHFF
- For the Selection Guide, Load Ratings and Speed Limits, see the MB Ball Bearing Engineering section
- Note: Dimensions subject to change. Certified dimensions of ordered material furnished on request.

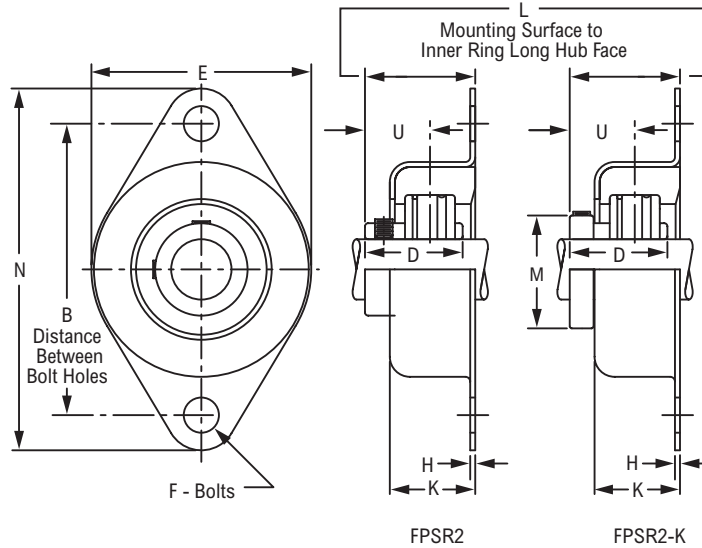
FPSR2, FPSR2-K



Photo Shows a 2-Bolt Ball Bearing Flanged Unit with Rubber Mounted Housing

Product Features

- 2-piece formed steel housing
- Optional Mounting Feature
- Rubber mounted bearing insert
- Alignable & non-relubricatable
- 2-bolt carriage mounting
- See Features & Benefits for additional info.



Bearing Dimensions

Size Code	Shaft Diameter	Part Number		B Distance Between Bolt Holes	L Mounting Surface to Inner Ring Long Hub Face	D	E	F	H	K	M	N	U	Radial Load Rating	Approx. Weight
		Centrik-Lok	Setscrew												
204	1/2	FPSR2-12K♦□Δ	FPSR2-12♦□Δ	3 5/8	1 3/8	1 7/32	2 45/64	3/8	1/16	1 1/16	1 1/8	4 1/2	13/16	200	0.73
	5/8	FPSR2-58K♦□Δ	FPSR2-58♦□Δ								1 13/64				0.69
	3/4	FPSR2-34K♦□Δ	FPSR2-34♦□Δ								1 3/8				0.65
	20.00	-	FPSR2-204♦□Δ								92.10				34.90
205	7/8	FPSR2-78K♦□Δ	FPSR2-78♦□Δ	3 5/8	1 25/64	1 3/8	2 45/64	3/8	1/16	1 1/16	1 9/16	4 1/2	55/64	250	0.78
	15/16	FPSR2-1516K♦□Δ	FPSR2-1516♦□Δ								1 13/16				0.76
	1	FPSR21K♦□Δ	FPSR21♦□Δ								1 3/8				0.74
	25.00	FPSR2-205K♦□Δ	FPSR2-205♦□Δ								92.10				35.30
206	1 1/8	FPSR21-18K♦□Δ	FPSR21-18♦□Δ	4 3/8	1 5/8	1 1/2	3 1/2	7/16	1/16	1 1/4	1 13/16	5 3/8	29/32	300	1.47
	1 3/16	FPSR21-316K♦□Δ	FPSR21-316♦□Δ								2				1.42
	1 1/4	FPSR21-14SK♦□Δ	FPSR21-14S♦□Δ								2				1.36
	30.00	FPSR2-206K♦□Δ	FPSR2-206♦□Δ								111.10				41.30

Additional Notes

- Please call 1-866-REXNORD for availability
- Lip seals standard
- ♦ Available with E1 viton seals
- Available with free running style seals, add suffix ● FF, □ HFF or Δ MHFF
- For the Selection Guide, Load Ratings and Speed Limits, see the MB Ball Bearing Engineering section
- Note: Dimensions subject to change. Certified dimensions of ordered material furnished on request.

TFPS325

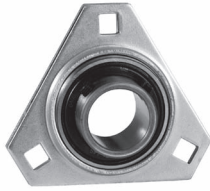
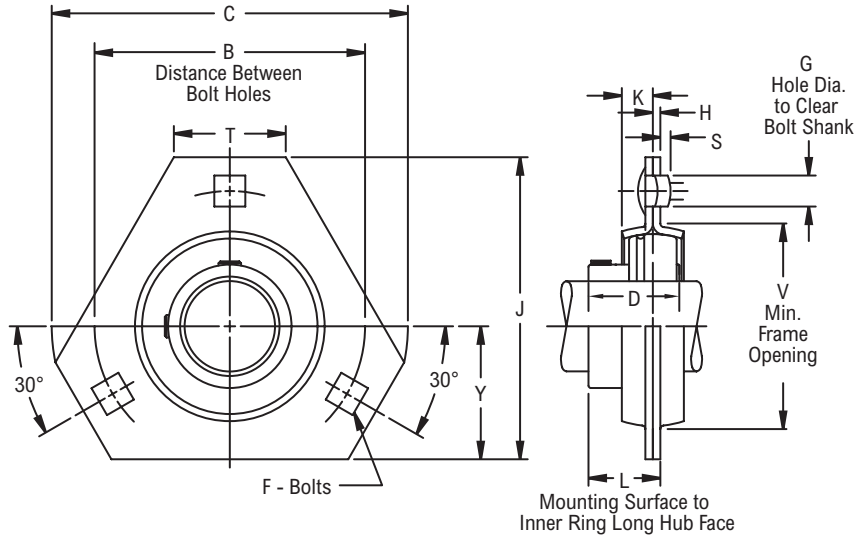


Photo Shows a 3-Bolt Ball Bearing Flanged Unit with Stamped Steel Housing

Product Features

- 2-piece formed steel housing
- Spring locking setscrew mount
- Alignable & non-relubricatable
- 3-bolt carriage mounting
- See Features & Benefits for additional info.



Bearing Dimensions

Size Code	Shaft Diameter	Part Number	B Distance Between Bolt Holes	F		G Hole Dia. to Clear Bolt Shank	L Mounting Surface to Inner Ring	V Frame Opening	C	D	H	J	K	S Carriage Bolt		T	Y	Radial Load Rating	Approx. Weight
				Bolt	Hole									Short	Long				
204	3/4	TFPS325-34◆●□△	2 13/16	5/16	11/32	1/2	53/64	2 3/16	3 9/16	1 1/8	0.083	3	5/16	0.021	0.115	1 1/16	1 5/16	700	0.63
	20.00	TFPS325-20◆●□△	71.40	5/16	8.730	12.70	21.00	55.60	90.50	28.58	2.110	76.20	7.90	0.021	0.115	27.00	33.30	3,110	0.30
205	7/8	TFPS325-78◆●□△	3	5/16	11/32	1/2	7/8	2 3/8	3 3/4	1 11/64	0.083	3 5/32	11/32	0.021	0.115	1 7/64	1 3/8	800	0.79
	15/16	TFPS325-1516◆●□△																	0.76
	1	TFPS3251◆●□△																	0.73
	25.00	TFPS325-25◆●□△	76.20	5/16	8.730	12.70	22.20	60.30	95.20	29.77	2.110	80.20	8.70	0.021	0.115	28.20	34.90	3,560	0.30
206	1 1/8	TFPS3251-18◆●□△	3 9/16	3/8	13/32	19/32	1 1/16	2 13/16	4 7/16	1 11/32	0.104	3 11/16	11/32	0.011	0.104	3 1/32	1 1/2	1,100	1.08
	1 3/16	TFPS3251-316◆●□△																	1.05
	1 1/4	TFPS3251-14S◆●□△																	1.02
	30.00	TFPS325-30◆●□△																	90.50

Additional Notes

Please call 1-866-REXNORD for availability
 Lip seals standard
 ◆ Available with E1 viton seals
 Available with free running style seals, add suffix ● FF, □ HFF or △ MHFF
 For the Selection Guide, Load Ratings and Speed Limits, see the MB Ball Bearing Engineering section
 Note: Dimensions subject to change. Certified dimensions of ordered material furnished on request.

FPS325

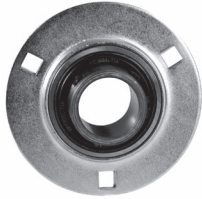
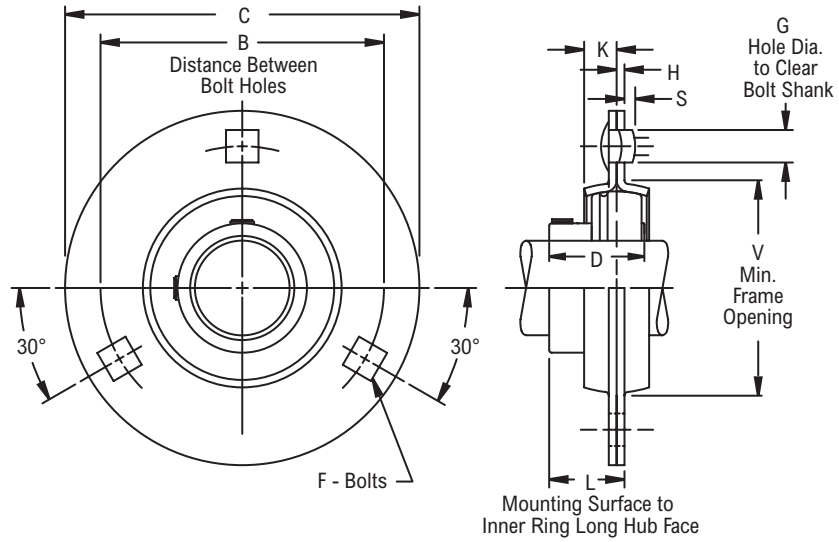


Photo Shows a 2-Bolt Ball Bearing Flanged Unit with Stamped Steel Housing

Product Features

- 2-piece formed steel housing
- Spring locking setscrew mount
- Alignable & non-relubricatable
- 3-bolt carriage mounting
- See Features & Benefits for additional info.



Bearing Dimensions

Size Code	Shaft Diameter	Part Number	B Distance Between Bolt Holes	F		G Hole Dia. to Clear Bolt Shank	L Mounting Surface to Inner Ring Long Hub Face	V Frame Opening	C	D	H	K	S Carriage Bolt		Radial Load Rating	Approx. Weight
				Hole	Bolt								Short	Long		
203	1/2	FPS325-12♦●□Δ	2 1/2	9/32	1/4	13/32	23/32	1 15/16	3 3/16	63/64	0.075	9/32	0.006	0.100	600	0.50
	5/8	FPS325-58♦●□Δ														0.46
	11/16	FPS325-1116♦●□Δ														0.44
204	3/4	FPS325-34♦●□Δ	2 13/16	11/32	5/16	1/2	53/64	2 3/16	3 9/16	1 1/8	0.083	5/16	0.021	0.115	700	0.76
	20.00	FPS325-20♦●□Δ	71.40	8.730	5/16	12.70	21.00	55.60	90.50	28.58	2.110	7.90	0.021	0.115	3,110	0.30
205	7/8	FPS325-78♦●□Δ	3	11/32	5/16	1/2	7/8	2 3/8	3 3/4	1 11/64	0.083	11/32	0.021	0.115	800	0.93
	15/16	FPS325-1516♦●□Δ														0.90
	1	FPS3251♦●□Δ														0.87
	25.00	FPS325-25♦●□Δ	76.20	8.730	5/16	12.70	22.20	60.30	95.20	29.77	2.110	8.70	0.021	0.115	3,560	0.40
206	1 1/8	FPS3251-18♦●□Δ	3 9/16	13/32	3/8	19/32	1 1/16	2 13/16	4 7/16	1 11/32	0.104	11/32	0.011	0.104	1,100	1.39
	1 3/16	FPS3251-316♦●□Δ														1.36
	1 1/4	FPS3251-14S♦●□Δ														1.33
	30.00	FPS325-30♦●□Δ														90.50
207	1 1/4	FPS3251-14♦●□Δ	3 15/16	13/32	3/8	19/32	1 7/32	3 3/16	4 13/16	1 9/16	0.104	3/8	0.011	0.104	1,400	1.90
	1 3/8	FPS3251-38♦●□Δ														1.80
	1 7/16	FPS3251-716♦●□Δ														1.75

Additional Notes

- Please call 1-866-REXNORD for availability
- Lip seals standard
- ♦ Available with E1 viton seals
- Available with free running style seals, add suffix ● FF, □ HFF or Δ MHFF
- For the Selection Guide, Load Ratings and Speed Limits, see the MB Ball Bearing Engineering section
- Note: Dimensions subject to change. Certified dimensions of ordered material furnished on request.

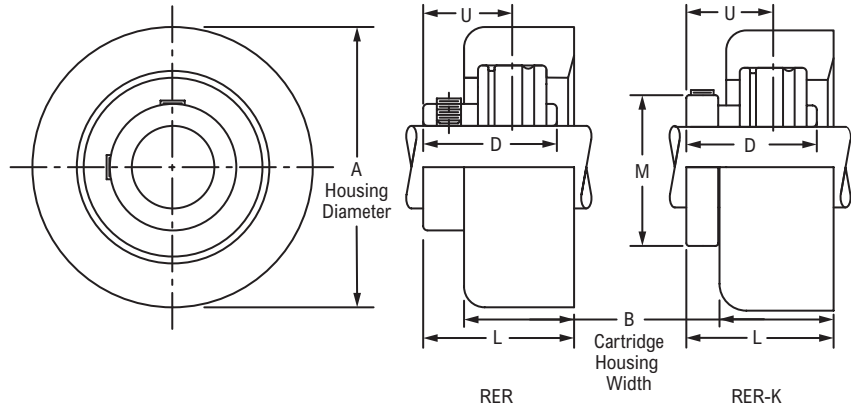
RER, RER-K



Photo Shows a Rubber Mounted ER Ball Bearing Cartridge Unit

Product Features

- Rubber mounted housing
- Optional mounting feature
- Non-relubricatable
- See Features & Benefits for additional info.



Bearing Dimensions

Size Code	Shaft Diameter	Part Number		A Housing Diameter	B Cartridge Housing Width	D	L	M	U	Radial Load Rating	Approx. Weight
		Centrik-Lok	Setscrew								
204	1/2	RER8K♦● □Δ	RER8♦● □Δ	2 17/32	1	1 7/32	1 3/8	1 1/8	13/16	200	0.58
	5/8	RER10K♦● □Δ	RER10♦● □Δ					1 13/64			0.54
	3/4	RER12K♦● □Δ	RER12♦● □Δ					1 3/8			0.50
	20.00	RER204K♦● □Δ	RER204♦● □Δ	64.30	25.40	30.96	34.90	30.60	20.60	890	0.20
205	7/8	RER14K♦● □Δ	RER14♦● □Δ	2 17/32	1	1 3/8	1 25/64	1 9/16	55/64	250	0.58
	15/16	RER15K♦● □Δ	RER15♦● □Δ					1 9/16			0.56
	1	RER16K♦● □Δ	RER16♦● □Δ					1 9/16			0.54
	25.00	RER205K♦● □Δ	RER205♦● □Δ	64.30	25.40	34.92	35.30	39.70	21.80	1,110	0.30
206	1 1/8	RER18K♦● □Δ	RER18♦● □Δ	3 3/32	1 3/16	1 1/2	1 5/8	1 13/16	29/32	300	1.01
	1 3/16	RER19K♦● □Δ	RER19♦● □Δ					2			0.97
	1 1/4	RER20SK♦● □Δ	RER20S♦● □Δ					2			0.92
	30.00	RER206K♦● □Δ	RER206♦● □Δ	78.60	30.20	38.10	41.30	50.80	23.00	1,330	0.40

Additional Notes

- Please call 1-866-REXNORD for availability
- Lip seals standard
- ♦ Available with E1 viton seals
- Available with free running style seals, add suffix ● FF, □ HFF or Δ MHFF
- For the Selection Guide, Load Ratings and Speed Limits, see the MB Ball Bearing Engineering section
- Note: Dimensions subject to change. Certified dimensions of ordered material furnished on request.

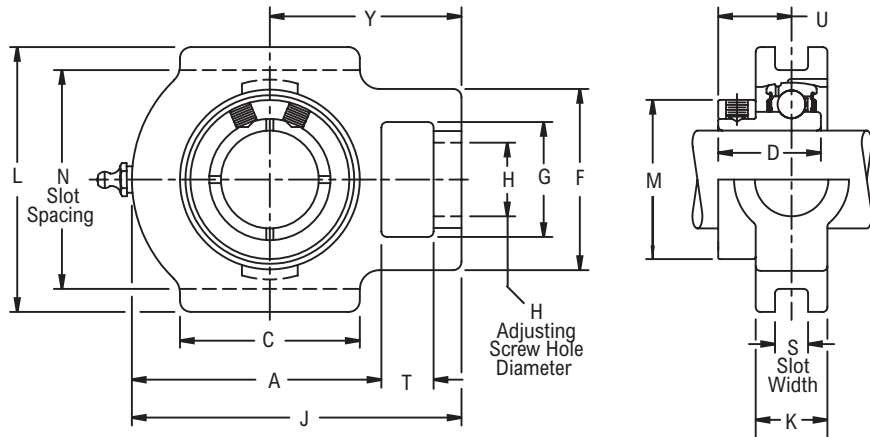
TC25K (Scheduled to be discontinued in 2013)



Photo Shows a Ball Bearing Take-up Unit

Product Features

- Corrosion-resistant powder coating
- Cast iron housing
- Wide slot design
- Broad range of sealing options
- Centrik-Lok shaft locking device
- Alignable & relubricatable
- See Features & Benefits for additional info.



Bearing Dimensions

Size Code	Shaft Diameter	Part Number	H Adjusting Screw Hole Diameter	N Slot Spacing	S Slot Width	A	C	D	F	G	J	K	L	M	T	U	Y	Approx. Weight
204	3/4	TC25K-34◆□△	3/4	3.000	0.531	2 7/8	2	1 5/64	2	1 1/4	3 7/8	1 3/8	3 1/2	1 3/8	5/8	45/64	2 7/16	1.86
	7/8	TC25K-78◆□△																1.85
205	15/16	TC25K1-1516◆□△	3/4	3.000	0.531	2 7/8	2	1 1/8	2	1 1/4	3 7/8	1 3/8	3 1/2	1 9/16	5/8	3/4	2 7/16	1.82
	1	TC25K1◆□△																1.79
	25.00	TC25K-25◆□△																19.00
206	1 1/8	TC25K1-18◆□△	7/8	3.500	0.531	3 3/8	2 1/4	1 19/64	2 3/16	1 7/16	4 1/2	1 9/16	4 1/8	1 13/16	11/16	29/32	2 3/4	2.75
	1 3/16	TC25K1-316◆□△												2.72				
	1 1/4	TC25K1-14S◆□△																2.69
	30.00	TC25K-30◆□△												22.20				88.900
207	1 1/4	TC25K1-14◆□△	7/8	3.500	0.531	4	2 1/2	1 15/32	2 3/8	1 7/16	5	1 9/16	4 1/8	2	11/16	1 1/64	3 1/16	3.19
	1 3/8	TC25K1-38◆□△												3.09				
	1 7/16	TC25K1-716◆□△												3.03				
208	1 1/2	TC25K1-12◆□△	1 1/8	3.969	0.688	4 3/16	3 1/4	1 9/16	3 1/4	1 15/16	5 5/8	2 1/16	4 3/4	2 1/2	7/8	1 5/64	3 1/2	5.24
	1 5/8	TC25K1-58◆□△																5.10
209	1 5/8	TC25K1-58L◆□△	1 1/8	3.969	0.688	4 3/16	3 1/4	1 19/32	3 1/4	1 15/16	5 5/8	2 1/16	4 3/4	2 1/2	7/8	1 1/16	3 7/16	4.84
	1 11/16	TC25K1-1116◆□△												4.77				
	1 3/4	TC25K1-34◆□△												4.70				
	1 7/8	TC25K1-78◆□△												4.96				
210	1 15/16	TC25K1-1516◆□△	1 1/8	3.969	0.688	4 7/16	3 1/4	1 41/64	3 1/4	1 15/16	5 7/8	2 1/16	4 3/4	2 7/8	7/8	1 3/32	3 9/16	4.87
	2	TC25K2◆□△																4.78
	2	TC25K2L◆□△																8.78
211	2 3/16	TC25K2-316◆□△	1 3/8	5.094	1.062	4 7/8	3 3/4	1 3/4	4	2 1/2	6 13/16	2 1/2	5 7/8	2 7/8	1 3/16	1 7/32	4 3/16	8.58
	2 1/4	TC25K2-14◆□△												3 1/8				8.38
	2 1/4	TC25K2-14L◆□△												3 1/8				9.67
212	2 3/8	TC25K2-38◆□△	1 3/8	5.094	1.062	5 5/8	4	1 57/64	4	2 1/2	7 9/16	2 1/2	5 7/8	3 3/8	1 3/16	1 5/16	4 11/16	9.43
	2 7/16	TC25K2-716◆□△												9.31				
215	2 15/16	TC25K2-1516◆□△	1 5/8	5.906	1.062	6 27/32	4 3/4	2 1/8	4 3/16	2 3/4	8 15/16	2 3/4	6 11/16	3 15/16	1 5/16	1 21/64	5 1/2	14.24

Additional Notes

- Please call 1-866-REXNORD for availability
- Lubrication fitting tap size, 1/8 in PT
- Lip seals standard
- ◆ Available with E1 viton seals for size codes 212 and smaller
- ◆ Available with TFF viton seals for size codes above 212
- Available with free running style seals, add suffix ● FF, □ HFF or △ MHFF for size codes 212 and smaller
- Add suffix ● FF, □ SFF or △ MKFF for size codes above 212

For the Selection Guide, Load Ratings and Speed Limits, see the MB Ball Bearing Engineering section
 Note: Dimensions subject to change. Certified dimensions of ordered material furnished on request.

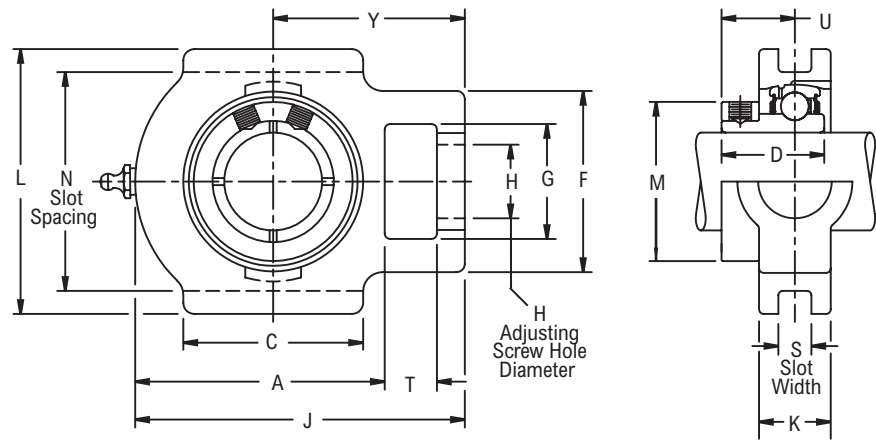
TC35K (Scheduled to be discontinued in 2013)



Photo Shows a Ball Bearing Take-up Unit

Product Features

- Corrosion-resistant powder coating
- Cast iron housing
- Wide slot design
- Broad range of sealing options
- Centrik-Lok shaft locking device
- Alignable & relubricatable
- See Features & Benefits for additional info.



Bearing Dimensions

Size Code	Shaft Diameter	Part Number	H Adjusting Screw Hole Diameter	N Slot Spacing	S Slot Width	A	C	D	F	G	J	K	L	M	T	U	Y	Approx. Weight
206	1	TC35K1◆●□△	7/8	3.500	0.531	3 3/8	2 1/4	1 19/64	2 3/16	1 7/16	4 1/2	1 9/16	4 1/8	1 13/16	1 11/16	29/32	2 3/4	2.88
207	1 3/16	TC35K1-316◆●□△	7/8	3.500	0.531	4	2 1/2	1 15/32	2 3/8	1 7/16	5	1 9/16	4 1/8	2	1 11/16	1 1/32	3 1/16	3.20
208	1 7/16	TC35K1-716◆●□△	1 1/8	3.969	0.688	4 3/16	3 1/4	1 9/16	3 1/4	1 15/16	5 5/8	2 1/16	4 3/4	2 1/4	7/8	1 3/32	3 1/2	5.29
209	1 1/2	TC35K1-12◆●□△	1 1/8	3.969	0.688	4 3/16	3 1/4	1 19/32	3 1/4	1 15/16	5 5/8	2 1/16	4 3/4	2 1/2	7/8	1 1/8	3 7/16	4.96
210	1 11/16	TC35K1-1116◆●□△	1 1/8	3.969	0.688	4 7/16	3 1/4	1 41/64	3 1/4	1 15/16	5 7/8	2 1/16	4 3/4	2 3/4	7/8	1 5/32	3 9/16	5.21
	1 3/4	TC35K1-34◆●□△																
211	1 15/16	TC35K1-1516◆●□△	1 3/8	5.094	1.062	4 7/8	3 3/4	1 3/4	4	2 1/2	6 13/16	2 1/2	5 7/8	2 7/8	1 3/16	1 7/32	4 3/16	8.87
212	2 3/16	TC35K2-316◆●□△	1 3/8	5.094	1.062	5 5/8	4	1 57/64	4	2 1/2	7 9/16	2 1/2	5 7/8	3 1/8	1 3/16	1 5/16	4 11/16	8.79
214	2 7/16	TC35K2-716◆●□△	1 5/8	5.906	1.062	6 19/32	4 3/4	2 5/64	4 3/8	2 3/4	8 11/16	2 3/4	6 11/16	3 3/4	1 5/16	1 7/16	5 3/8	15.09
	2 1/2	TC35K2-12◆●□△																
215	2 11/16	TC35K2-1116◆●□△	1 5/8	5.906	1.062	6 27/32	4 3/4	2 1/8	4 3/8	2 3/4	8 15/16	2 3/4	6 11/16	3 15/16	1 5/16	1 15/32	5 1/2	14.87

Additional Notes

- Please call 1-866-REXNORD for availability
- Lubrication fitting tap size, 1/8 in PT
- Lip seals standard
- ◆ Available with E1 viton seals for size codes 212 and smaller
- ◆ Available with TFF viton seals for size codes above 212
- Available with free running style seals, add suffix ● FF, □ HFF or △ MHFF for size codes 212 and smaller
- Add suffix ● FF, □ SFF or △ MKFF for size codes above 212

For the Selection Guide, Load Ratings and Speed Limits, see the MB Ball Bearing Engineering section
 Note: Dimensions subject to change. Certified dimensions of ordered material furnished on request.

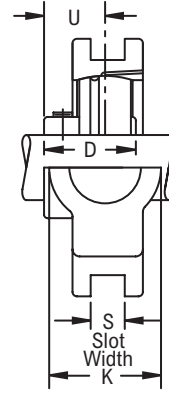
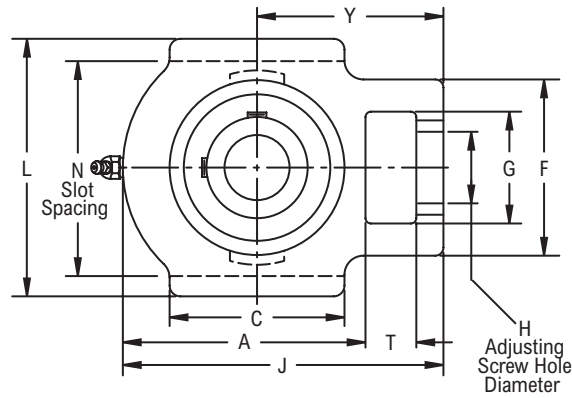
TC35 (Scheduled to be discontinued in 2013)



Photo Shows a Ball Bearing Take-up Unit

Product Features

- Corrosion-resistant powder coating
- Cast iron housing
- Wide slot design
- Broad range of sealing options
- Spring locking setscrew mount
- Alignable & relubricatable
- See Features & Benefits for additional info.



Bearing Dimensions

Size Code	Shaft Diameter	Part Number	H Adjusting Screw Hole Diameter	N Slot Spacing	S Slot Width	A	C	D	F	G	J	K	L	T	U	Y	Approx. Weight
206	1	TC351♦●□Δ	7/8	3.500	0.531	3 3/8	2 1/4	1 11/32	2 3/16	1 7/16	4 1/2	1 9/16	4 1/8	11/16	61/64	2 3/4	2.88
207	1 3/16	TC351-316♦●□Δ	7/8	3.500	0.531	4	2 1/2	1 9/16	2 3/8	1 7/16	5	1 9/16	4 1/8	11/16	17/64	3 1/16	3.20
208	1 7/16	TC351-716♦●□Δ	1 1/8	3.969	0.688	4 3/16	3 1/4	1 21/32	3 1/4	1 15/16	5 5/8	2 1/16	4 3/4	7/8	1 11/64	3 1/2	5.29
209	1 1/2	TC351-12♦●□Δ	1 1/8	3.969	0.688	4 3/16	3 1/4	1 49/64	3 1/4	1 15/16	5 5/8	2 1/16	4 3/4	7/8	1 15/64	3 7/16	4.96
210	1 11/16	TC351-1116♦●□Δ	1 1/8	3.969	0.688	4 7/16	3 1/4	1 13/16	3 1/4	1 15/16	5 7/8	2 1/16	4 3/4	7/8	1 17/64	3 9/16	5.21
	1 3/4	TC351-34♦●□Δ															
211	1 15/16	TC351-1516♦●□Δ	1 3/8	5.094	1.062	4 7/8	3 3/4	1 13/16	4	2 1/2	6 13/16	2 1/2	5 7/8	1 3/16	1 9/32	4 3/16	8.87
	2	TC352♦●□Δ															
212	2 3/16	TC352-316♦●□Δ	1 3/8	5.094	1.062	5 5/8	4	1 57/64	4	2 1/2	7 9/16	2 1/2	5 7/8	1 3/16	1 5/16	4 11/16	8.79
	2 1/4	TC352-14♦●□Δ															
214	2 7/16	TC352-716●□Δ♦	1 5/8	5.906	1.062	6 19/32	4 3/4	2 15/64	4 3/8	2 3/4	8 11/16	2 3/4	6 11/16	1 5/16	1 7/16	5 3/8	15.09
	2 1/2	TC352-12●□Δ♦															
215	2 11/16	TC352-1116●□Δ♦	1 5/8	5.906	1.062	6 27/32	4 3/4	2 17/64	4 3/8	2 3/4	8 15/16	2 3/4	6 11/16	1 5/16	1 15/32	5 1/2	14.87

Additional Notes

- Please call 1-866-REXNORD for availability
- Lubrication fitting tap size, 1/8 in PT
- Lip seals standard
- ♦ Available with E1 viton seals for size codes 212 and smaller
- ◆ Available with TFF viton seals for size codes above 212
- Available with free running style seals, add suffix ● FF, □ HFF or Δ MHFF for size codes 212 and smaller
- Add suffix ● FF, □ SFF or Δ MKFF for size codes above 212

For the Selection Guide, Load Ratings and Speed Limits, see the MB Ball Bearing Engineering section
 Note: Dimensions subject to change. Certified dimensions of ordered material furnished on request.

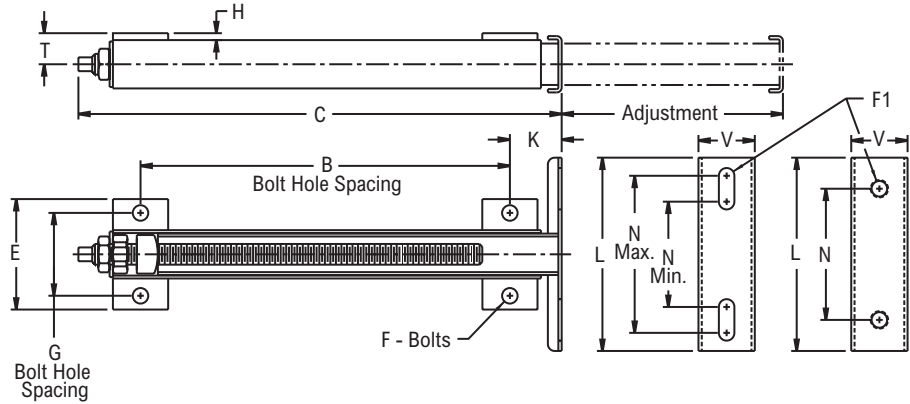
TP, TPT, TSP, TSPT



Photo Shows a T-Frame Protected Screw Take-up Frame for Ball Bearing Pillow Block Mounting

Product Features

- Protected screw T-frame take-up
- Mild steel or AISI 304 stainless steel frame
- Pillow block or tapped base pillow block mounting
- Pillow blocks not included
- See Features & Benefits for additional info.



Bearing Dimensions

Size Code	Adjust. Length	Mild Steel		Stainless Steel		Bolt Hole Spacing		Mounting Plate Bolt Hole Spacing			C	E	F	F1	H	K	L	T	V	Adjust. Screw	
		Part Number	Approx. Weight	Part Number	Approx. Weight	B	G Width Direction	N	N min.	N max										Sq. Drive	Thread Size
Pillow Block Mounting																					
203-205	3	TP1003	3.00	TSP1003	2.60	3 9/16	2 5/8	-	2 15/16	4 5/16	6 7/8	1 1/2	3/8	3/8	1/4	1 1/2	5 1/4	3 11/16	7/8	3/8	5/8 - 11
	6	TP1006	4.00	TSP1006	3.50	7 1/16					10 3/8										
	9	TP1009	5.10	TSP1009	4.40	11 1/16					14 3/8										
206-209	12	TP25012	9.90	TSP25012	8.10	13 3/8	3	-	3 13/16	5 11/16	17 1/2	2 1/32	1/2	1/2	1/4	1 7/8	7	4	1 1/8	1/2	3/4 - 10
	3	TP2503	5.80	TSP2503	4.80	4 3/8					8 1/2										
	6	TP2506	7.10	TSP2506	5.80	7 3/8					11 1/2										
	9	TP2509	8.40	TSP2509	7.00	10 3/8					14 1/2										
210-212	12	TP30012	16.00	TSP30012	16.50	14 1/8	4	-	5 9/16	8 11/16	19 1/8	2 27/32	5/8	5/8	1/4	2 1/4	10	5 1/4	1 1/2	1/2	7/8 - 9
	18	TP30018	20.40	TSP30018	21.60	21 1/8					26 1/8										
	6	TP3006	11.00	TSP3006	11.40	6 1/8					11 1/8										
	9	TP3009	13.10	TSP3009	13.40	10 1/8					15 1/8										
213-217	12	TP40012	42.90	-	-	20	5 1/2	-	8 1/2	11 3/4	27 3/4	3 1/2	3/4	3/4	1/4	3 1/2	14	7 1/2	2 1/8	Pinned Nut	1 1/4 - 7
	18	TP40018	52.10	-	-	26					33 3/4										
	24	TP40024	61.30	-	-	32					39 3/4										
Tapped Base Pillow Block Mounting																					
204-205	3	TPT1003	3.00	TSPT1003	2.60	3 9/16	2 5/8	2	-	-	6 7/8	1 1/2	3/8	3/8	1/4	1 1/2	3	3 11/16	7/8	3/8	5/8 - 11
	6	TPT1006	4.00	TSPT1006	3.50	7 1/16					10 3/8										
	9	TPT1009	5.10	TSPT1009	4.40	11 1/16					14 3/8										
206	12	TPT250112	9.90	TSPT250112	8.10	13 3/8	3	3	-	-	17 1/2	1 1/2	1/2	7/16	1/4	1 7/8	4	4	1 1/8	1/2	3/4 - 10
	3	TPT25013	5.80	TSPT25013	4.80	4 3/8					8 1/2										
	6	TPT25016	7.10	TSPT25016	5.80	7 3/8					11 1/2										
	9	TPT25019	8.40	TSPT25019	7.00	10 3/8					14 1/2										
207	12	TPT250212	9.90	TSPT250212	8.10	13 3/8	3	3 1/4	-	-	17 1/2	2	1/2	1/2	1/4	1 7/8	4 1/4	4	1 1/8	1/2	3/4 - 10
	3	TPT25023	5.80	TSPT25023	4.80	4 3/8					8 1/2										
	6	TPT25026	7.10	TSPT25026	5.80	7 3/8					11 1/2										
210	9	TPT25029	8.40	TSPT25029	7.00	10 3/8	3	4	-	-	14 1/2	2	1/2	5/8	1/4	1 7/8	5 1/2	4	1 1/8	1/2	3/4 - 10
	12	TPT250512	9.90	TSPT250512	8.10	13 3/8					17 1/2										
	3	TPT25053	5.80	TSPT25053	4.80	4 3/8					8 1/2										
	6	TPT25056	7.10	TSPT25056	5.80	7 3/8					11 1/2										
	9	TPT25059	8.40	TSPT25059	7.00	10 3/8					14 1/2										

Additional Notes

Please call 1-866-REXNORD for availability
 For pillow block dimensions, see Pillow Block Ball Bearing section
 Note: Dimensions subject to change. Certified dimensions of ordered material furnished on request.

TQP

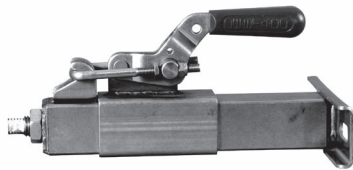
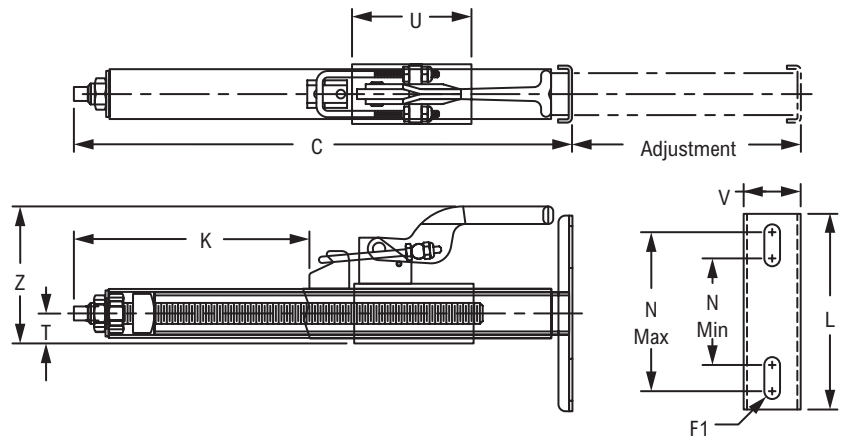


Photo Shows a T-Frame Quick Release Take-up Frame for Ball Bearing Pillow Block Mounting

Product Features

- Protected screw T-frame take-up
- AISI 304 stainless steel frame
- Pillow block mounting
- Pillow blocks not included
- See Features & Benefits for additional info.



Bearing Dimensions

Size Code	Adjust. Length	Part Number	Bolt Hole Spacing		C	F1	K	L	T	U	V	Z	Adjust. Screw		Approx. Weight
			N min	N max									Sq Drive	Thread Size	
203-205	6	TQP1006	2 15/16	4 5/16	10 3/8	3/8	3 23/32	5 1/4	3/4	3	1 1/2	3 7/16	3/8	5/8 - 11	4.00
	9	TQP1009	2 15/16	4 5/16	14 3/8	3/8	5 23/32	5 1/4	3/4	5	1 1/2	3 7/16		5.00	
206-209	6	TQP2506	3 13/16	5 11/16	11 1/2	1/2	1 9/16	7	1	4	2 1/32	4 7/8	1/2	3/4 - 10	7.00
	9	TQP2509	3 13/16	5 11/16	14 1/2	1/2	3 1/16	7	1	6	2 1/32	4 7/8			8.20
	12	TQP25012	3 13/16	5 11/16	17 1/2	1/2	4 9/16	7	1	8	2 1/32	4 7/8			9.50

Additional Notes

Please call 1-866-REXNORD for availability
 For pillow block dimensions, see Pillow Block Ball Bearing section
 Note: Dimensions subject to change. Certified dimensions of ordered material furnished on request.

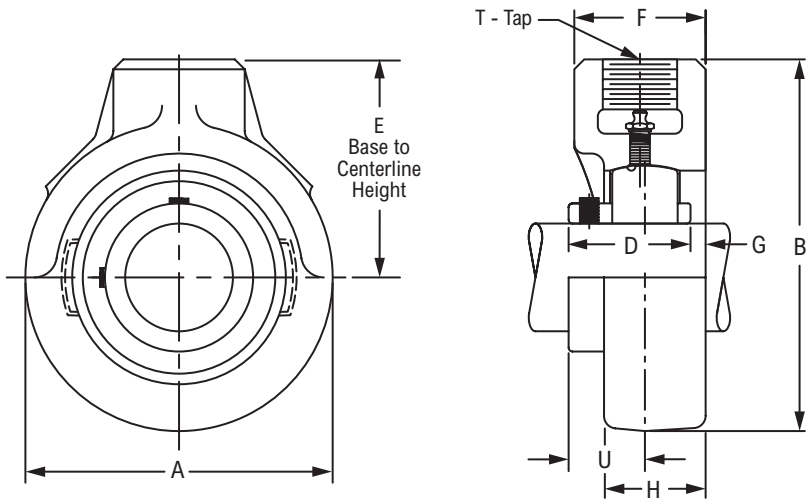
MCHB



Photo Shows a Screw Conveyor Hanger Ball Bearing Unit

Product Features

- Corrosion-resistant powder coating
- Cast iron housing
- Broad range of sealing options
- Spring locking setscrew mount
- Alignable & relubricatable
- See Features & Benefits for additional info.



Bearing Dimensions

Size Code	Shaft Diameter	Part Number	E Base to Centerline Height	T		A	B	D	F	G	H	U	Approx. Weight
				Depth	Tap								
206	1	MCHB1◆●□△	2 1/2	5/8	3/4-14	3 3/8	4 3/16	1 11/32	1 21/32	7/16	1 7/32	61/64	2.34
	1 1/8	MCHB1-18◆●□△											2.25
	1 3/16	MCHB1-316S◆●□△											2.22
	1 1/4	MCHB1-14S◆●□△											2.19
	30.00	MCHB-30◆●□△	63.50	15.90	3/4-14	85.70	106.40	34.14	42.10	11.10	31.00	24.20	1.00
207	1 3/16	MCHB1-316◆●□△	2 3/4	5/8	3/4-14	3 7/8	4 11/16	1 9/16	1 21/32	3/8	1 9/32	1 7/64	3.35
	1 1/4	MCHB1-14◆●□△											3.34
	1 3/8	MCHB1-38◆●□△											3.24
	1 7/16	MCHB1-716S◆●□△											3.18
	35.00	MCHB-35◆●□△	69.80	15.90	3/4-14	98.40	119.10	39.67	42.10	9.50	32.50	28.20	1.50
208	1 7/16	MCHB1-716◆●□△	2 7/8	5/8	3/4-14	4	4 7/8	1 21/32	1 21/32	11/32	1 11/32	1 11/64	3.44
	1 1/2	MCHB1-12◆●□△											3.39
	1 5/8	MCHB1-58◆●□△											3.25
	40.00	MCHB-40◆●□△											73.00
210	1 11/16	MCHB1-1116◆●□△	3 1/4	13/16	1-11 1/2	4 5/8	5 9/16	1 13/16	1 7/8	13/32	1 13/32	1 17/64	5.06
	1 3/4	MCHB1-34◆●□△											4.98
	1 7/8	MCHB1-78◆●□△											4.81
	1 15/16	MCHB1-1516◆●□△											4.72
	2	MCHB2◆●□△											4.63
212	2 3/16	MCHB2-316◆●□△	4	1 1/8	1 1/4-11 1/2	5 5/8	6 13/16	1 57/64	2 5/16	37/64	1 5/8	1 5/16	8.44
	2 3/8	MCHB2-38◆●□△											8.08
	2 7/16	MCHB2-716◆●□△											7.96
215	2 11/16	MCHB2-1116◆●□△	4 5/8	1 1/4	1 1/2-11 1/2	6 1/2	7 7/8	2 17/64	2 3/4	37/64	1 31/32	1 15/32	12.27
	2 3/4	MCHB2-34◆●□△											12.14
	2 15/16	MCHB2-1516◆●□△											11.64
216	2 15/16	MCHB2-1516L◆●□△	4 7/8	1 1/4	1 1/2-11 1/2	7	8 3/8	2 23/64	2 13/16	35/64	2 1/16	1 1/2	16.00
	3	MCHB3◆●□△											15.82
218	3 3/16	MCHB3-316◆●□△	6	1 3/4	2-11 1/2	8 5/16	10 5/32	2 33/64	3 1/2	25/32	2 1/8	1 9/16	25.66
	3 7/16	MCHB3-716◆●□△											24.77
	3 1/2	MCHB3-12◆●□△											24.58

Additional Notes

- Please call 1-866-REXNORD for availability
- Lubrication fitting tap size, 1/8 in PT
- Lip seals standard
- ◆ Available with E1 viton seals for size codes 212 and smaller
- ◆ Available with TFF viton seals for size codes above 212
- Available with free running style seals, add suffix ● FF, □ HFF or △ MHFF for size codes 212 and smaller
- Add suffix ● FF, □ SFF or △ MKFF for size codes above 212

For the Selection Guide, Load Ratings and Speed Limits, see the MB Ball Bearing Engineering section
 Note: Dimensions subject to change. Certified dimensions of ordered material furnished on request.

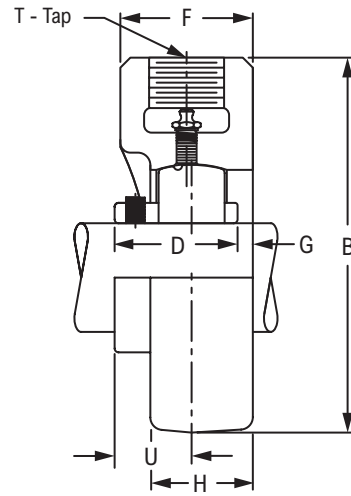
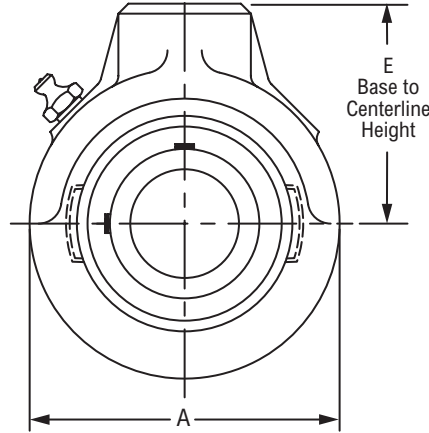
MEHB



Photo Shows a Screw Conveyor Hanger Ball Bearing Unit

Product Features

- Corrosion-resistant powder coating
- Cast iron housing
- Broad range of sealing options
- Spring locking setscrew mount
- Alignable & relubricatable
- See Features & Benefits for additional info.



Bearing Dimensions

Size Code	Shaft Diameter	Part Number	E Base to Centerline Height	T		A	B	D	F	G	H	U	Approx. Weight
				Depth	Tap								
206	1	MEHB1◆●□Δ	2 1/2	5/8	3/4-14	3 3/8	4 3/16	1 11/32	1 21/32	7/16	1 7/32	61/64	2.34
	1 1/8	MEHB1-18◆●□Δ											2.25
	1 3/16	MEHB1-316S◆●□Δ											2.22
	1 1/4	MEHB1-14S◆●□Δ											2.19
	30.00	MEHB-30◆●□Δ	63.50	15.90	3/4-14	85.70	106.40	34.14	42.10	11.10	31.00	24.20	1.00
207	1 3/16	MEHB1-316◆●□Δ	2 3/4	5/8	3/4-14	3 7/8	4 11/16	1 9/16	1 21/32	3/8	1 9/32	1 7/64	3.35
	1 1/4	MEHB1-14◆●□Δ											3.34
	1 3/8	MEHB1-38◆●□Δ											3.24
	1 7/16	MEHB1-716S◆●□Δ											3.18
	35.00	MEHB-35◆●□Δ	69.80	15.90	3/4-14	98.40	119.10	39.67	42.10	9.50	32.50	28.20	1.50
208	1 7/16	MEHB1-716◆●□Δ	2 7/8	5/8	3/4-14	4	4 7/8	1 21/32	1 21/32	11/32	1 11/32	1 11/64	3.44
	1 1/2	MEHB1-12◆●□Δ											3.39
	1 5/8	MEHB1-58◆●□Δ											3.25
	40.00	MEHB-40◆●□Δ											73.00
210	1 11/16	MEHB1-1116◆●□Δ	3 1/4	13/16	1-11 1/2	4 5/8	5 9/16	1 13/16	1 7/8	13/32	1 13/32	1 17/64	5.06
	1 3/4	MEHB1-34◆●□Δ											4.98
	1 7/8	MEHB1-78◆●□Δ											4.81
	1 15/16	MEHB1-1516◆●□Δ											4.72
	2	MEHB2◆●□Δ											4.63
212	2 3/16	MEHB2-316◆●□Δ	4	1 1/8	1 1/4-11 1/2	5 5/8	6 13/16	1 57/64	2 5/16	37/64	1 5/8	1 5/16	8.44
	2 3/8	MEHB2-38◆●□Δ											8.08
	2 7/16	MEHB2-716◆●□Δ											7.96
215	2 11/16	MEHB2-1116◆●□Δ	4 5/8	1 1/4	1 1/2-11 1/2	6 1/2	7 7/8	2 17/64	2 3/4	37/64	1 31/32	1 15/32	12.27
	2 3/4	MEHB2-34◆●□Δ											12.14
	2 15/16	MEHB2-1516◆●□Δ											11.64
216	2 15/16	MEHB2-1516L◆●□Δ	4 7/8	1 1/4	1 1/2-11 1/2	7	8 3/8	2 23/64	2 13/16	35/64	2 1/16	1 1/2	16.00
	3	MEHB3◆●□Δ											15.82
218	3 3/16	MEHB3-316◆●□Δ	6	1 3/4	2-11 1/2	8 5/16	10 5/32	2 33/64	3 1/2	25/32	2 1/8	1 9/16	25.66
	3 7/16	MEHB3-716◆●□Δ											24.77
	3 1/2	MEHB3-12◆●□Δ											24.58

Additional Notes

- Please call 1-866-REXNORD for availability
- Lubrication fitting tap size, 1/8 in PT
- Lip seals standard
- ◆ Available with E1 viton seals for size codes 212 and smaller
- ◆ Available with TFF viton seals for size codes above 212
- Available with free running style seals, add suffix ● FF, □ HFF or Δ MHFF for size codes 212 and smaller
- Add suffix ● FF, □ SFF or Δ MKFF for size codes above 212

For the Selection Guide, Load Ratings and Speed Limits, see the MB Ball Bearing Engineering section
 Note: Dimensions subject to change. Certified dimensions of ordered material furnished on request.

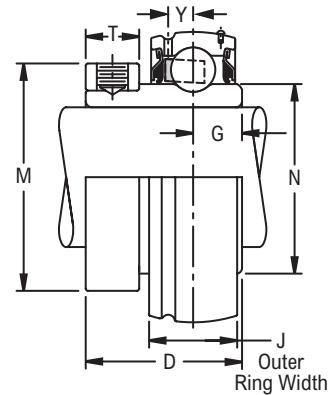
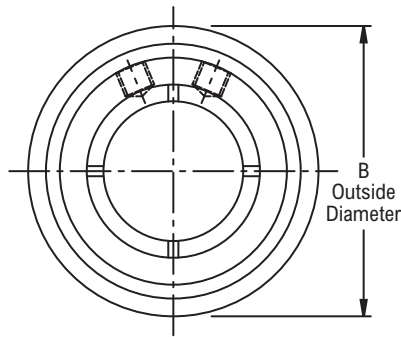
KMB25 (Scheduled to be discontinued in 2013)



Photo Shows an Unmounted Ball Bearing Unit

Product Features

- Broad range of sealing options
- Centrik-Lok shaft locking device
- Sealed & relubricatable
- Spherical O.D.
- See Features & Benefits for additional info.



Bearing Dimensions

Size Code	Shaft Diameter	Part Number	B O.D.	J Outer Ring Width	T		D	G	M	N	Y	Approx. Weight
					Width	Tap						
203	1/2	KMB25-12-PA♦♦ □Δ	1.5748	0.5118	9/32	#10-32	63/64	0.3440	1 1/8	0.941	0.158	0.27
	5/8	KMB25-58-PA♦♦ □Δ							1 13/64			0.24
	11/16	KMB25-1116-PA♦♦ □Δ										0.22
204	3/4	KMB25-34-PA♦♦ □Δ	1.8504	0.5906	11/32	1/4-28	1 5/64	0.3610	1 3/8	1.121	0.176	0.36
205	7/8	KMB25-78-PA♦♦ □Δ	2.0472	0.5906	11/32	1/4-28	1 1/8	0.3670	1 9/16	1.313	0.176	0.48
	15/16	KMB25-1516-PA♦♦ □Δ										0.45
	1	KMB251-PA♦♦ □Δ										0.42
	25.00	KMB25-25-PA♦♦ □Δ	52.0000	15.0000	8.70	M6X1	28.58	9.3200	39.70	33.350	4.470	0.20
206	1 1/8	KMB251-18-PA♦♦ □Δ	2.4409	0.7087	7/16	1/4-28	1 19/64	0.3970	1 13/16	1.587	0.202	0.76
	1 3/16	KMB251-316-PA♦♦ □Δ										0.74
	1 1/4	KMB251-14S-PA♦♦ □Δ										0.71
	30.00	KMB25-30-PA♦♦ □Δ							62.0000			18.0000
207	1 1/4	KMB251-14-PA♦♦ □Δ	2.8346	0.7480	7/16	5/16-24	1 15/32	0.4420	2	1.847	0.227	1.13
	1 3/8	KMB251-38-PA♦♦ □Δ										1.08
	1 7/16	KMB251-716-PA♦♦ □Δ										1.02
208	1 1/2	KMB251-12-PA♦♦ □Δ	3.1496	0.8661	7/16	5/16-24	1 9/16	0.4740	2 1/2	2.083	0.263	1.45
	1 5/8	KMB251-58-PA♦♦ □Δ										1.31
209	1 5/8	KMB251-58L-PA♦♦ □Δ	3.3465	0.8661	7/16	5/16-24	1 19/32	0.4770	2 1/2	2.281	0.256	1.62
	1 11/16	KMB251-1116-PA♦♦ □Δ										1.59
	1 3/4	KMB251-34-PA♦♦ □Δ										1.55
210	1 7/8	KMB251-78-PA♦♦ □Δ	3.5433	0.8661	9/16	3/8-24	1 41/64	0.4860	2 7/8	2.475	0.256	1.84
	1 15/16	KMB251-1516-PA♦♦ □Δ										1.75
	2	KMB252-PA♦♦ □Δ										1.66
211	2	KMB252L-PA♦♦ □Δ	3.9370	0.9843	9/16	3/8-24	1 3/4	0.5410	2 7/8	2.749	0.298	2.44
	2 3/16	KMB252-316-PA♦♦ □Δ										2.24
	2 1/4	KMB252-14-PA♦♦ □Δ										2.14
212	2 1/4	KMB252-14L-PA♦♦ □Δ	4.3307	1.0630	9/16	3/8-24	1 57/64	0.5820	3 1/8	3.012	0.330	2.93
	2 3/8	KMB252-38-PA♦♦ □Δ										2.90
	2 7/16	KMB252-716-PA♦♦ □Δ										2.78
215	2 15/16	KMB252-1516-PA♦♦ □Δ	5.1181	1.1835	9/16	3/8-24	2 1/8	0.6590	3 15/16	3.632	0.266	4.40

Additional Notes

- Please call 1-866-REXNORD for availability
- Bearing O.D. tolerance for size code 203 thru 208,
 - +0.0000 in/-0.0005 in (+0.000 mm/-0.013 mm) for all other size codes,
 - +0.0000 in/-0.0006 in (+0.000 mm/-0.015 mm)
- Lip seals standard
 - ♦ Available with E1 viton seals for size codes 212 and smaller
 - ♦ Available with TFF viton seals for size codes above 212

- Available with free running style seals, add suffix ♦ FF, □ HFF or Δ MHFF for size codes 212 and smaller
- Add suffix ♦ FF, □ SFF or Δ MKFF for size codes above 212
- For the Selection Guide, Load Ratings and Speed Limits, see the MB Ball Bearing Engineering section
- Note: Dimensions subject to change. Certified dimensions of ordered material furnished on request.

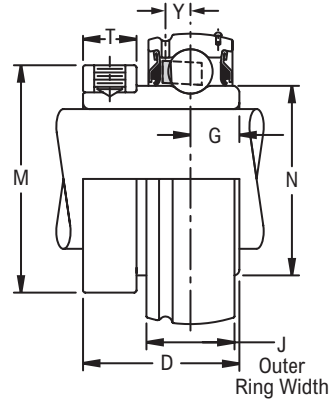
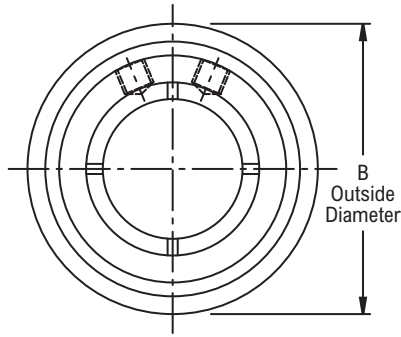
KMB35 (Scheduled to be discontinued in 2013)



Photo Shows an Unmounted Ball Bearing Unit

Product Features

- Broad range of sealing options
- Centrik-Lok shaft locking device
- Sealed & relubricatable
- Spherical O.D.
- See Features & Benefits for additional info.



Bearing Dimensions

Size Code	Shaft Diameter	Part Number	B O.D.	J Outer Ring Width	D	G	M	N	T		Y	Approx. Weight
									Width	Tap		
206	1	KMB351-PA◆●□Δ	2.4409	0.7087	1 ¹⁹ / ₆₄	0.3970	1 ¹³ / ₁₆	1.587	7/ ₁₆	1/4-28	0.202	0.92
207	1 ³ / ₁₆	KMB351-316-PA◆●□Δ	2.8346	0.7480	1 ¹⁵ / ₃₂	0.4420	2	1.847	7/ ₁₆	5/16-24	0.227	1.30
208	1 ⁷ / ₁₆	KMB351-716-PA◆●□Δ	3.1496	0.8661	1 ⁹ / ₁₆	0.4740	2 ¹ / ₄	2.083	7/ ₁₆	5/16-24	0.263	1.61
209	1 ¹ / ₂	KMB351-12-PA◆●□Δ	3.3465	0.8661	1 ¹⁹ / ₃₂	0.4770	2 ¹ / ₂	2.281	7/ ₁₆	5/16-24	0.256	1.93
210	1 ¹¹ / ₁₆	KMB351-1116-PA◆●□Δ	3.5433	0.8661	1 ⁴¹ / ₆₄	0.4860	2 ³ / ₄	2.475	9/ ₁₆	3/8-24	0.256	2.29
	1 ³ / ₄	KMB351-34-PA◆●□Δ										
211	1 ¹⁵ / ₁₆	KMB351-1516-PA◆●□Δ	3.9370	0.9843	1 ³ / ₄	0.5410	2 ⁷ / ₈	2.749	9/ ₁₆	3/8-24	0.298	2.58
212	2 ³ / ₁₆	KMB352-316-PA◆●□Δ	4.3307	1.0630	1 ⁵⁷ / ₆₄	0.5820	3 ¹ / ₈	3.012	9/ ₁₆	3/8-24	0.330	3.44
214	2 ⁷ / ₁₆	KMB352-716-PA◆●□Δ	4.9213	1.1545	2 ⁵ / ₆₄	0.6440	3 ³ / ₄	3.433	9/ ₁₆	3/8-24	0.266	4.67
	2 ¹ / ₂	KMB352-12-PA◆●□Δ										
215	2 ¹¹ / ₁₆	KMB352-1116-PA◆●□Δ	5.1181	1.1835	2 ¹ / ₈	0.6590	3 ¹⁵ / ₁₆	3.632	9/ ₁₆	3/8-24	0.266	4.78
216	2 ¹⁵ / ₁₆	KMB352-1516-PA◆●□Δ	5.5118	1.2575	2 ³ / ₁₆	0.6960	4 ³ / ₁₆	3.920	9/ ₁₆	3/8-24	0.282	5.80
	3	KMB353-PA◆●□Δ										
218	3 ³ / ₁₆	KMB353-316-PA◆●□Δ	6.2992	1.3945	2 ²³ / ₆₄	0.8040	4 ¹³ / ₁₆	4.396	9/ ₁₆	3/8-24	0.313	8.71
	3 ⁷ / ₁₆	KMB353-716-PA◆●□Δ										7.82
	3 ¹ / ₂	KMB353-12-PA◆●□Δ										7.63

Additional Notes

- Please call 1-866-REXNORD for availability
- Bearing O.D. tolerance for size code 206 thru 208, +.0000 in/-.0005 in (+0.000 mm/-0.013 mm); for size code 209 thru 215, +.0000 in/-.0006 in (+0.000 mm/-0.015 mm); for all other size codes, +.0000 in/-.0008 in (+0.000 mm/-0.020 mm)
- Lip seals standard
- ◆ Available with E1 viton seals for size codes 212 and smaller
 - ◆ Available with TFF viton seals for size codes above 212

- Available with free running style seals, add suffix ● FF, □ HFF or Δ MHFF for size codes 212 and smaller
- Add suffix ● FF, □ SFF or Δ MKFF for size codes above 212
- For the Selection Guide, Load Ratings and Speed Limits, see the MB Ball Bearing Engineering section
- Note: Dimensions subject to change. Certified dimensions of ordered material furnished on request.

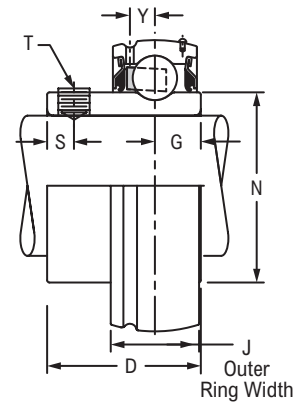
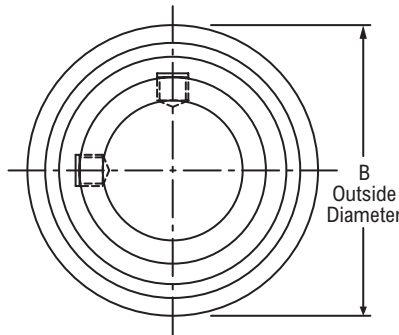
MB35 (Scheduled to be discontinued in 2013)



Photo Shows an Unmounted Ball Bearing Unit

Product Features

- Broad range of sealing options
- Spring locking setscrew mount
- Sealed & relubricatable
- Spherical O.D.
- See Features & Benefits for additional info.



Bearing Dimensions

Size Code	Shaft Diameter	Part Number	B O.D.	J Outer Ring Width	D	G	N	S	T	Y	Approx. Weight
206	1	MB351-PA●□△	2.4409	0.7087	1 11/32	0.3920	1.587	0.31	1/4-28	0.202	0.72
207	1 3/16	MB351-316-PA●□△	2.8346	0.7480	1 9/16	0.4540	1.847	0.34	5/16-24	0.227	1.03
208	1 7/16	MB351-716-PA●□△	3.1496	0.8661	1 21/32	0.4850	2.083	0.34	5/16-24	0.263	1.32
209	1 1/2	MB351-12-PA●□△	3.3465	0.8661	1 49/64	0.5320	2.281	0.36	5/16-24	0.256	1.62
210	1 11/16	MB351-1116-PA●□△	3.5433	0.8661	1 13/16	0.5320	2.475	0.38	3/8-24	0.256	1.82
	1 3/4	MB351-34-PA●□△									1.74
211	1 15/16	MB351-1516-PA●□△	3.9370	0.9843	1 13/16	0.5370	2.749	0.38	3/8-24	0.298	2.36
212	2 3/16	MB352-316-PA●□△	4.3307	1.0630	1 57/64	0.5780	3.012	0.38	3/8-24	0.330	2.97
214	2 7/16	MB352-716-PA●□△	4.9213	1.1545	2 15/64	0.8040	3.433	0.37	3/8-24	0.266	4.39
	2 1/2	MB352-12-PA●□△									4.25
215	2 11/16	MB352-1116-PA●□△	5.1181	1.1835	2 17/64	0.8040	3.632	0.37	3/8-24	0.266	4.49
216	2 15/16	MB352-1516-PA●□△	5.5118	1.2575	2 23/64	0.8630	3.920	0.37	3/8-24	0.282	5.53
	3	MB353-PA●□△									5.40
218	3 3/16	MB353-316-PA●□△	6.2992	1.3945	2 33/64	0.9620	4.396	0.37	3/8-24	0.313	8.23
	3 7/16	MB353-716-PA●□△									7.34
	3 1/2	MB353-12-PA●□△									7.15

Additional Notes

- Please call 1-866-REXNORD for availability
- Bearing O.D. tolerance for size code 206 thru 208, +.0000 in/-0.0005 in (+0.000 mm/-0.013 mm); for size code 209 thru 215, +.0000 in/-0.0006 in (+0.000 mm/-0.015 mm); for all other size codes, +.0000 in/-0.0008 in (+0.000 mm/-0.020 mm)
- Lip seals standard
- ◆ Available with E1 viton seals for size codes 212 and smaller
 - ◆ Available with TFF viton seals for size codes above 212
- Available with free running style seals, add suffix ● FF, □ HFF or △ MHFF for size codes 212 and smaller

Add suffix ● FF, □ SFF or △ MKFF for size codes above 212

For the Selection Guide, Load Ratings and Speed Limits, see the MB Ball Bearing Engineering section

Note: Dimensions subject to change. Certified dimensions of ordered material furnished on request.

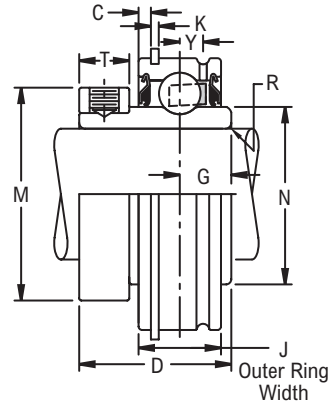
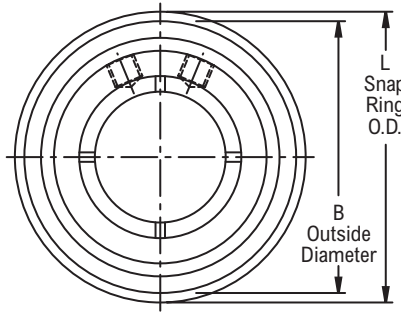
ER-K



Photo Shows an ER Adapter Series Ball Bearing Unit

Product Features

- Broad range of sealing options
- Centrik-Lok shaft locking device
- Sealed & relubricatable
- Cylindrical O.D.
- O.D. mounted snap ring
- See Features & Benefits for additional info.



Bearing Dimensions

Size Code	Shaft Diameter	Part Number	B O.D.	J Outer Ring Width	L Snap Ring O.D.	C	D	G	K	M	N	R	T		Y	Approx. Weight
													Width	Tap		
204	1/2	ER8K♦□Δ	1.8504	0.6240	2 1/16	3/32	1 7/32	0.4050	3/64	1 1/8	1.154	0.04	9/32	#10-32	0.142	0.62
	5/8	ER10K♦□Δ								1 13/64			0.55			
	3/4	ER12K♦□Δ								1 3/8			0.54			
	20.00	ER204K♦□Δ								47.0000			15.8500	52.40		2.40
205	7/8	ER14K♦□Δ	2.0472	0.7490	2 17/64	3/32	1 3/8	0.5080	3/64	1 9/16	1.313	0.04	11/32	1/4-28	0.185	0.65
	15/16	ER15K♦□Δ								1 13/16			0.63			
	1	ER16K♦□Δ								2			0.61			
	25.00	ER205K♦□Δ								52.0000			19.0250	57.60		2.40
206	1 1/8	ER18K♦□Δ	2.4409	0.8740	2 21/32	3/32	1 1/2	0.6250	3/64	1 13/16	1.587	0.04	7/16	1/4-28	0.224	0.96
	1 3/16	ER19K♦□Δ								2			0.94			
	1 1/4	ER20SK♦□Δ								2			0.90			
207	1 1/4	ER20K♦□Δ	2.8346	0.9365	3 5/64	1/8	1 11/16	0.6880	1/16	2	1.847	0.04	7/16	5/16-24	0.256	1.75
	1 3/8	ER22K♦□Δ								2 1/4			1.70			
	1 7/16	ER23K♦□Δ								2			1.62			
208	1 1/2	ER24K♦□Δ	3.1496	1.0927	3 25/64	1/8	1 15/16	0.7500	1/16	2 1/2	2.083	0.06	7/16	5/16-24	0.297	2.18
	40.00	ER208K♦□Δ	80.0000	27.7550	86.10	3.20	49.22	19.0500	1.60	63.50	52.910	1.60	11.10	M8X1.25	7.540	1.00
209	1 5/8	ER26K♦□Δ	3.3465	1.0927	3 19/32	1/8	1 15/16	0.7500	1/16	2 1/2	2.281	0.06	7/16	5/16-24	0.297	2.28
	1 11/16	ER27K♦□Δ								2 11/16			2.22			
	1 3/4	ER28K♦□Δ								2			2.15			
210	1 7/8	ER30K♦□Δ	3.5433	1.1240	3 25/32	1/8	2 1/32	0.7500	3/32	2 7/8	2.475	0.06	9/16	3/8-24	0.265	2.75
	1 15/16	ER31K♦□Δ								2 11/16			2.61			
211	2	ER32K♦□Δ	3.9370	1.1860	4 11/64	1/8	2 3/16	0.8750	3/32	2 7/8	2.749	0.08	9/16	3/8-24	0.298	3.38
	2 3/16	ER35K♦□Δ								3 1/8			3.07			
212	2 1/4	ER36K♦□Δ	4.3307	1.2490	4 9/16	1/8	2 9/16	1.0000	3/32	3 1/8	3.012	0.08	9/16	3/8-24	0.330	4.48
	2 3/8	ER38K♦□Δ								3 3/8			4.38			
	2 7/16	ER39K♦□Δ								3 3/8			4.19			
214	2 1/2	ER40K♦□Δ	4.9213	1.3740	5 9/32	5/32	2 3/4	1.0620	7/64	3 3/4	3.433	0.08	9/16	3/8-24	0.374	5.92
	2 11/16	ER43K♦□Δ								3 15/16			5.49			
215	2 7/8	ER46K♦□Δ	5.1181	1.4990	5 1/2	5/32	3 1/16	1.3130	7/64	4 3/16	3.632	0.08	9/16	3/8-24	0.374	6.60
	2 15/16	ER47K♦□Δ								4 3/16			6.37			
216	3	ER48K♦□Δ	5.5118	1.6865	5 7/8	5/32	3 1/4	1.3130	7/64	4 3/16	3.920	0.12	9/16	3/8-24	0.406	8.05
	3 3/16	ER51K♦□Δ								4 3/16			7.56			

Additional Notes

- Please call 1-866-REXNORD for availability
- Bearing O.D. tolerance for size code 204, +.0000 in/-.0005 in (+0.000 mm/-0.013 mm); for size code 205 thru 208, +.0000 in/-.0006 in (+0.000 mm/-0.015 mm); for size code 209 thru 212, +.0000 in/-.0008 in (+0.000 mm/-0.020 mm); for all other size codes, +.0000 in/-.0010 in (+0.000 mm/-0.025 mm)
- Lip seals standard
- ♦ Available with E1 viton seals for size codes 212 and smaller
- ♦ Available with TFF viton seals for size codes above 212

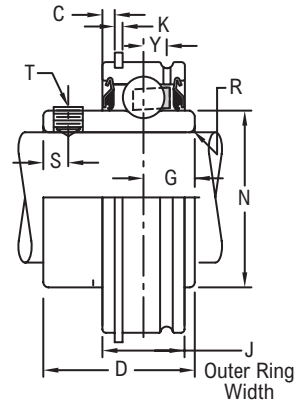
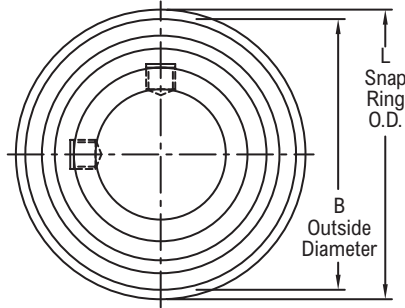
- Available with free running style seals, add suffix ♦ FF, □ HFF or Δ MHFF for size codes 212 and smaller
- Add suffix ♦ FF, □ SFF or Δ MKFF for size codes above 212
- For the Selection Guide, Load Ratings and Speed Limits, see the MB Ball Bearing Engineering section
- Note: Dimensions subject to change. Certified dimensions of ordered material furnished on request.



Photo Shows an ER Adapter Series Ball Bearing Unit

Product Features

- Broad range of sealing options
- Spring locking setscrew mount
- Sealed & relubricatable
- Cylindrical O.D.
- O.D. mounted snap ring
- See Features & Benefits for additional info.



Bearing Dimensions

Size Code	Shaft Diameter	Part Number	B O.D.	J Outer Ring Width	L Snap Ring O.D.	C	D	G	K	N	R	S	T Tap Size	Y	Approx. Weight
204	1/2	ER8♦♦ □Δ	1.8504	0.6240	2 1/16	3/32	1 7/32	0.4050	3/64	1.154	0.04	15/64	#10-32	0.142	0.62
	5/8	ER10♦♦ □Δ													0.55
	3/4	ER12♦♦ □Δ													0.54
205	7/8	ER14♦♦ □Δ	2.0472	0.7490	2 17/64	3/32	1 3/8	0.5080	3/64	1.313	0.04	15/64	1/4-28	0.185	0.65
	15/16	ER15♦♦ □Δ													0.63
	1	ER16♦♦ □Δ													0.61
	25.00	ER205♦♦ □Δ	52.0000	19.0250	57.60	2.40	34.92	12.9000	1.20	33.350	1.00	2.00	M6X1	4.700	0.30
206	1 1/8	ER18♦♦ □Δ	2.4409	0.8740	2 21/32	3/32	1 1/2	0.6250	3/64	1.587	0.04	1/4	1/4-28	0.224	0.96
	1 3/16	ER19♦♦ □Δ													0.94
	1 1/4	ER20S♦♦ □Δ													0.90
	30.00	ER206♦♦ □Δ	62.0000	22.2000	67.50	2.40	38.10	15.8800	1.20	40.310	1.00	6.40	M6X1	5.690	0.40
207	1 1/4	ER20♦♦ □Δ	2.8346	0.9365	3 5/64	1/8	1 11/16	0.6880	1/16	1.847	0.04	21/64	5/16-24	0.256	1.75
	1 3/8	ER22♦♦ □Δ													1.70
	1 7/16	ER23♦♦ □Δ													1.62
208	1 1/2	ER24♦♦ □Δ	3.1496	1.0927	3 25/64	1/8	1 15/16	0.7500	1/16	2.083	0.06	3/8	5/16-24	0.297	2.18
	40.00	ER208♦♦ □Δ	80.0000	27.7550	86.10	3.20	49.22	19.0500	1.60	52.910	1.60	9.50	M8X1.25	7.540	1.00
209	1 5/8	ER26♦♦ □Δ	3.3465	1.0927	3 19/32	1/8	1 15/16	0.7500	1/16	2.281	0.06	3/8	5/16-24	0.297	2.28
	1 11/16	ER27♦♦ □Δ													2.22
	1 3/4	ER28♦♦ □Δ													2.15
210	1 7/8	ER30♦♦ □Δ	3.5433	1.1240	3 25/32	1/8	2 1/32	0.7500	3/32	2.475	0.06	3/8	3/8-24	0.265	2.75
	1 15/16	ER31♦♦ □Δ													2.61
	2	ER32♦♦ □Δ													3.38
211	2	ER35♦♦ □Δ	3.9370	1.1860	4 11/64	1/8	2 3/16	0.8750	3/32	2.749	0.08	3/8	3/8-24	0.298	3.07
	2 3/16	ER35♦♦ □Δ													3.07
	2 1/4	ER36♦♦ □Δ													4.48
212	2 3/8	ER38♦♦ □Δ	4.3307	1.2490	4 9/16	1/8	2 9/16	1.0000	3/32	3.012	0.08	3/8	3/8-24	0.330	4.38
	2 7/16	ER39♦♦ □Δ													4.19
	2 1/2	ER40♦♦ □Δ													5.92
214	2 1/2	ER40♦♦ □Δ	4.9213	1.3740	5 9/32	5/32	2 3/4	1.0620	7/64	3.433	0.08	3/8	3/8-24	0.374	5.49
	2 11/16	ER43♦♦ □Δ													5.49
	2 7/8	ER46♦♦ □Δ													6.60
215	2 15/16	ER47♦♦ □Δ	5.1181	1.4990	5 1/2	5/32	3 1/16	1.3130	7/64	3.632	0.08	3/8	3/8-24	0.374	6.37
	3	ER48♦♦ □Δ													8.05
216	3	ER48♦♦ □Δ	5.5118	1.6865	5 7/8	5/32	3 1/4	1.3130	7/64	3.920	0.12	3/8	3/8-24	0.406	8.05
	3 3/16	ER51♦♦ □Δ													7.56

Additional Notes

- Please call 1-866-REXNORD for availability
- Bearing O.D. tolerance for size code 204, +.0000 in/- .0005 in
- (+0.000 mm/-0.013 mm): for size code 205 thru 208, +.0000 in/- .0006 in (+0.000 mm/-0.015 mm): for size code 209 thru 212, +.0000 in/- .0008 in (+0.000 mm/-0.020 mm): for all other size codes, +.0000 in/- .0010 in (+0.000 mm/-0.025 mm)
- Lip seals standard
- ♦ Available with E1 viton seals for size codes 212 and smaller
- ♦ Available with TFF viton seals for size codes above 212

- Available with free running style seals, add suffix ♦ FF, □ HFF or Δ MHFF for size codes 212 and smaller
- Add suffix ♦ FF, □ SFF or Δ MKFF for size codes above 212
- For the Selection Guide, Load Ratings and Speed Limits, see the MB Ball Bearing Engineering section
- Note: Dimensions subject to change. Certified dimensions of ordered material furnished on request.

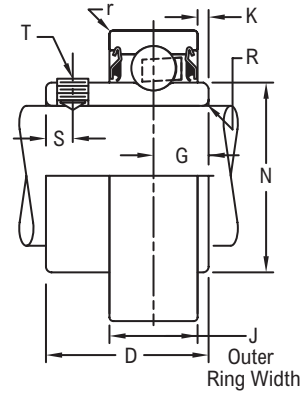
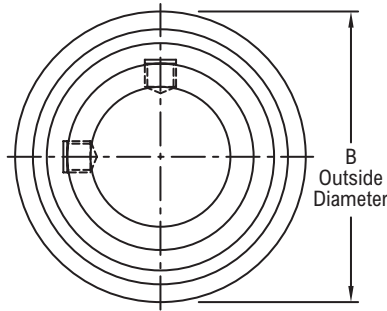
MSL



Photo Shows an Unmounted Ball Bearing Unit with Cylindrical Outside Diameter

Product Features

- Broad range of sealing options
- Wide inner ring for increased shaft stability
- Spring locking setscrew mount
- Sealed & non-relubricatable
- Cylindrical O.D.
- See Features & Benefits for additional info.



Bearing Dimensions

Size Code	Shaft Diameter	Part Number	B O.D.	J Outer Ring Width	D	G	K	N	R	r	S	T	Approx. Weight
203	1/2	MSL8◆●□△	1.5748	0.5118	31/32	0.3910	7/64	0.941	0.024	0.024	3/16	#10-32	0.24
	5/8	MSL10◆●□△											
204	3/4	MSL12◆●□△	1.8504	0.5906	1 5/32	0.4380	9/64	1.121	0.039	0.039	3/16	#10-32	0.35
205	1	MSL16◆●□△	2.0472	0.5906	1 7/32	0.4520	9/64	1.313	0.039	0.039	7/32	1/4-28	0.39
207	1 1/4	MSL20◆●□△	2.8346	0.7480	1 17/32	0.5930	7/32	1.847	0.039	0.039	1/4	1/4-28	1.00
	1 3/8	MSL22◆●□△											
	1 7/16	MSL23◆●□△											

Additional Notes

- Please call 1-866-REXNORD for availability
- Bearing bore tolerance, +.0005 in/-.0000 in (**+0.013 mm/-0.000 mm**)
- Bearing O.D. tolerance for size code 203 thru 204, +.0000 in/-.0005 in (**+0.000 mm/-0.013 mm**); for all other size codes, +.0000 in/-.0006 in (**+0.000 mm/-0.015 mm**)
- Lip seals standard
- ◆ Available with E1 viton seals
- Available with free running style seals, add suffix ● FF, □ HFF or △ MHFF
- For the Selection Guide, Load Ratings and Speed Limits, see the MB Ball Bearing Engineering section

Note: Dimensions subject to change. Certified dimensions of ordered material furnished on request.

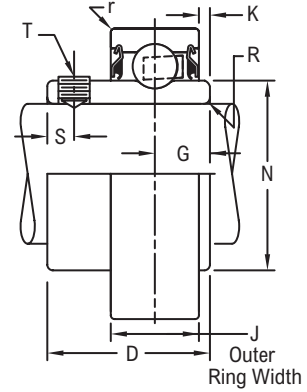
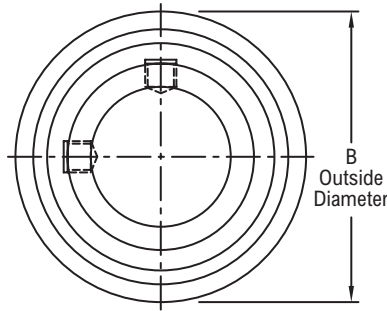
MSLN



Photo Shows an Unmounted Ball Bearing Unit with Cylindrical Outside Diameter

Product Features

- Broad range of sealing options
- Spring locking setscrew mount
- Sealed & non-relubricatable
- Cylindrical O.D.
- See Features & Benefits for additional info.



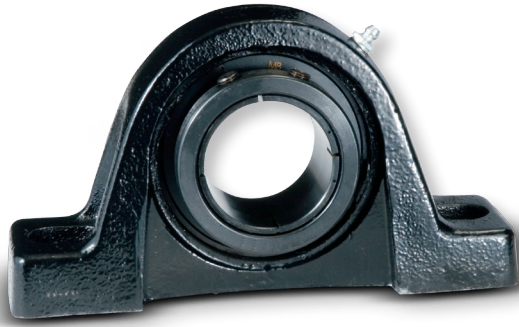
Bearing Dimensions

Size Code	Shaft Diameter	Part Number	B O.D.	J Outer Ring Width	D	G	K	N	R	r	S	T	Approx. Weight
203	1/2	MSLN8◆●□Δ	1.5748	0.5118	51/64	0.2770	0	0.941	0.024	0.024	3/16	#10-32	0.22
	5/8	MSLN10◆●□Δ											
204	3/4	MSLN12◆●□Δ	1.8504	0.5906	15/16	0.2940	0	1.121	0.039	0.039	3/16	#10-32	0.32
205	1	MSLN16◆●□Δ	2.0472	0.5906	15/16	0.3090	0	1.313	0.039	0.039	7/32	1/4-28	0.34

Additional Notes

- Please call 1-866-REXNORD for availability
- Bearing bore tolerance, +.0005 in/- .0000 in (**+0.013 mm/-0.000 mm**)
- Bearing O.D. tolerance for size code 203 thru 204, +.0000 in/- .0005 in (**+0.000 mm/-0.013 mm**); for all other size codes, +.0000 in/- .0006 in (**+0.000 mm/-0.015 mm**)
- Lip seals standard
- ◆ Available with E1 viton seals
- Available with free running style seals, add suffix ● FF, □ HFF or Δ MHFF
- For the Selection Guide, Load Ratings and Speed Limits, see the MB Ball Bearing Engineering section

Note: Dimensions subject to change. Certified dimensions of ordered material furnished on request.



Industries Served
Aggregates
Agriculture
Air Handling
Package Handling
Construction
Shipping

MB Krown Regal 45 & 55 Series Centrik-Lok Ball Bearings

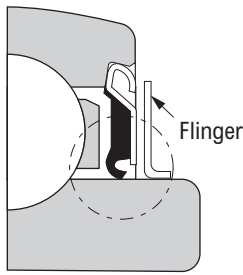
The Krown Regal series provides premium bearing features...superior sealing, housing strength, better shaft locking...at non-premium prices. These bearings are the result of a design and manufacturing program aimed at supplying maximum bearing value at competitive prices. Our exclusive patented seals and bearing-to-shaft locking devices multiply bearing life and reduce maintenance and replacement to a minimum.

Krown Regal bearings are available from stock in standard duty and medium duty pillow blocks and flange units as cataloged in the following pages. Other sizes and mountings are available on special order, as are specially engineered to the application bearings. Consult Rexnord Bearing Products for prompt review of your special needs.

The Krown Regal bearing design reduces the three most common causes of bearing failure – seal failure that permits entrance of contaminants or loss of lubricant; insufficient housing strength; and loosening of bearings on rotating shafts. Other features include large diameter balls for high load capacities, nylon retainers for quiet operations, conveniently located lube fittings and superior anti-rotation pin arrangement.

Molded Lip Seal — Flinger System

The sealing system provides four-way sealing action to effectively keep dirt out and lubricant in. It is combined in Krown Regal bearings with steel flingers that throw excessive contaminants away from the bearings and protect the seals from damage by abrasives and impact. Together, the superior seals and added flingers add significantly to bearing life.



Rugged One-piece Cast Iron Housings

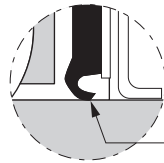
These bearings have heavier cast iron housing than previous designs. The Krown Regal foot-mounted pillow blocks and flange mounts are built to withstand heavy loading, shock and external vibration. Finishes are highly resistant to corrosion and abrasion.

Centrik-Lok Shaft Locking Device

Bearing-to-shaft locking is accomplished with the patented Centrik-Lok shaft locking device. This method of locking provides excellent holding power versus competitive shaft locking devices. Its clamping action also centers the shaft in the bearing to avoid vibration and noise. It also eliminates shaft damage because set screws do not contact the shaft making bearing removal easier.

Spherically-seated Bearing Insert with Anti-rotation Pin

The spherical fit between the outer race O.D. and I.D. of the block is precisely controlled for easy shaft alignment. An antirotation pin is permanently installed in the bearing insert O.D. It engages one of the housing insertion slots, preventing outer race creep and wear of housing. There is no danger of losing a separable pin during field replacement of bearings and no danger of preloading the bearing as is possible in other designs where a lube fitting is tightened against a locking pin.



Standard
"N" Seal



Optional
"E1" Seal

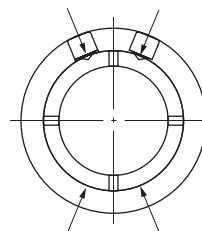
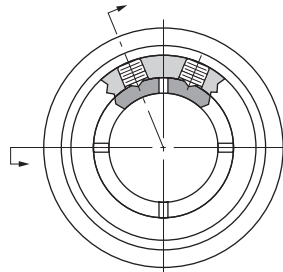
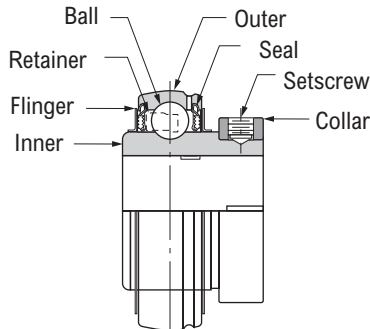
Centrik-Lok Shaft Locking Device

The Centrik-Lok shaft locking device (Pat. No. 4,403,814) assures precise centering of MB Krown Regal ball bearing pillow blocks and flange mounted units on rotating shafts to avoid vibration and noise. What's more, the inherent holding power of this unique design can be far superior to other equivalent competitive bearings.

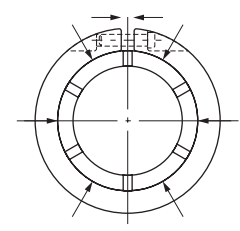
An important feature of the Centrik-Lok shaft locking device is that the locking collar is pre-assembled onto the bearing inner race, avoiding the problem of loose, lost or misplaced locking collars. Another feature is that the set screws do not come in contact with the shaft and therefore, do not mark the shaft or leave heavy burrs that make bearing removal difficult.

Most mounted bearing locking devices move the inner race eccentrically on the shaft during locking. This eccentric positioning of the inner race can cause vibration, loosening of locking devices and loss of bearing performance.

One of the drawbacks of current locking devices that do maintain concentricity has been their lack of shaft-holding power. The Centrik-Lok shaft locking device overcomes these shaft-holding limitations and still provides the advantages of true concentricity. The inner race is slotted in four places and a continuous cylindrical locking collar is applied over the inner race slots. Two set screws, located 45° apart, contact the inner race on each side of one of the slots. The two set screws exert force on two of the four inner race segments and the resulting reaction through the collar pulls the remaining two segments against the shaft concentrically.



MB CENTRIK-LOK
Shaft Locking Device



"Hose Clamp" Type
Locking Device

Standard Krown Regal Optional Sealing Arrangements

Standard steel clad type N single lip seals have a useful temperature range of -40°F to $+225^{\circ}\text{F}$ and can withstand temperatures up to 250°F for intermittent service. The flinger adds protection against contamination, and can shield against radiant heat. Special sealing arrangements are available for higher temperatures and “free-running” or special contamination resistance.

Special optional sealing arrangements

Suffix-MHFF indicates type H seals and flingers both sides. This provides a sealed, “free-running” bearing with heat shield protection. It is satisfactory for temperatures from -40°F to $+275^{\circ}\text{F}$. Rexnord Bearing Products must be consulted regarding availability of any of these optional sealing configurations.

Examples for ordering:

- Bearing Insert KMB451-716-MHFFPA
- Mounted Unit KC451-716-MHFF

High temperature ball bearing inserts and housed units

Krown Regal mounted ball bearings and KMB45, KMB55 and ER series inserts are available for high temperature applications up to 400°F . The “E1” package provides the following features:

1. Extra Internal Diametral Clearance (DC) based on a 200°F temperature differential between inner and outer races, compensates for the inner race expanding at a faster rate than the outer race and will avoid preloading of the bearings.
2. Steel Retainer (Cage) – 2 piece riveted construction.
3. High Temperature Lubrication – prelubricated with a No. 2 consistency bentone-base grease with petroleum oil. When operated near upper limit, (400°F) daily relubrication is required.
4. Viton Seals withstand temperatures to 400°F .
5. Steel Flingers are mounted outboard of the Viton seals with an interface fit with the O.D. of the inner ring.

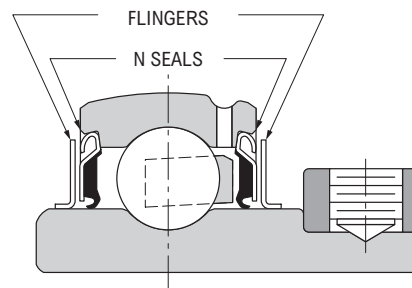
Examples for ordering:

- Bearing Insert KMB451-716-E1PA
- Mounted Unit KC451-716-E1

Free running applications and applications above 400°F Sealing options such as -FF (flingers only) for “free running” applications and/or temperatures over 400°F where contamination is not severe. The flinger acts as a labyrinth seal. High temperature bearings require a greater amount of diametral clearance (DC) and a higher temperature lubricant. Consult Rexnord Bearing Products for recommendations.

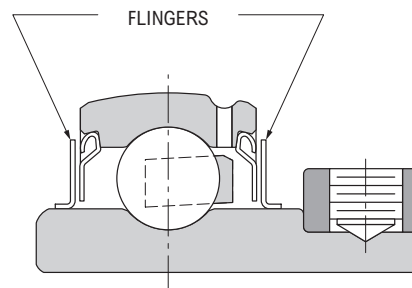
Examples for ordering:

- Bearing Insert MB251-716-FFPA
- Mounted Unit C251-716-FF



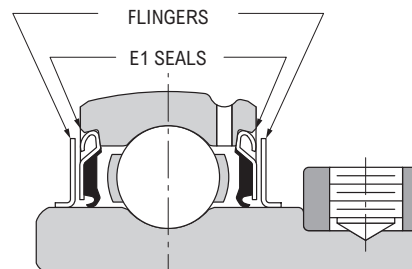
BASIC KMB45/55 SEALS

214 thru 218 Basic Sizes have Nyla-K seals and Flingers



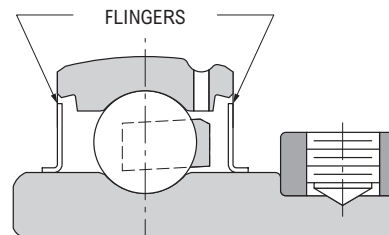
-MHFF

214 thru 218 Basic Sizes have Modified Nyla-K seals and Flingers use suffix MKFF



-E1

214 thru 218 Basic Sizes have Viton seals and Flingers use suffix TFF



-FF

Nomenclature - MB Krown Regal 45/55 Series Ball Bearings Mounted Units

Symbol	Description	KFC2	45	1	-	716	-	FF	JF	PD
KC	Pillow block, standard backing									
KCL	Pillow block, low backing									
KFC2	Flanged unit, 2-bolt									
KFC4	Flanged unit, 4-bolt									
PFC4	Flanged cartridge unit, 4-bolt round									
45	Wide inner ring, standard duty, Centrik-Lok collar									
55	Wide inner ring, medium duty, Centrik-Lok collar									
None	Shaft diameter less than 1 inch or a metric bore									
1	Shaft diameter equal to or greater than 1 inch									
-	Dash used as separator									
716	Inch shaft fraction without the slash									
35	Metric shaft diameter in millimeters									
-	Dash used to separate suffix from bore designation									
EDC	Bearing with steel retainer and increased clearance									
STL	Bearing with steel retainer and standard clearance									
None	Standard single lip seal									
E1	Viton seals, increased clearance, steel retainer, high temp. lube									
FF	Fingers only, 50% grease fill									
HFF	Fingers only, 10% oil fill									
MHFF	Fingers only, 10% grease fill									
XX	Non-standard grease designation									
PB	Bearing with 100% grease fill									
PD	Bearing with preservative only									

Nomenclature - MB Krown Regal 45/55 Series Unmounted Units

Symbol	Description	KMB	45	1	-	716	-	FF	JF	PA
KMB	Ball bearing, spherical O.D. with lube groove and anti rotation pin									
45	Wide inner ring, standard duty, Centrik-Lok collar									
55	Wide inner ring, medium duty, Centrik-Lok collar									
None	Shaft diameter less than 1 inch or a metric bore									
1	Shaft diameter equal to or greater than 1 inch									
-	Dash used as separator									
716	Inch shaft fraction without the slash									
35	Metric shaft diameter in millimeters									
-	Dash used to separate suffix from bore designation									
EDC	Bearing with steel retainer and increased clearance									
STL	Bearing with steel retainer and standard clearance									
None	Standard single lip seal									
E1	Viton seals, increased clearance, steel retainer, high temp. lube									
FF	Fingers only, 50% grease fill									
HFF	Fingers only, 10% oil fill									
MHFF	Fingers only, 10% grease fill									
XX	Non-standard grease designation									
PA	Suffix designation for unmounted replacement bearing insert									

Series 45 & 55 Krown Regal Selection Guide

To select a bearing, determine the applied radial load, the applied thrust load, the desired Rating Life, and applicable operating conditions. The procedure shown here will aid in selecting a bearing to meet an L₁₀ design life. The formulas for calculating life expectancy should be used to determine the Rating Life L₁₀ for the bearing selected.

The selection procedures and rating formulas shown here are in agreement with The American Bearing Manufacturers Association Standards and ANSI/ABMA Standards STD 9-1990. Ratings are based on fatigue life. The Rating Life or fatigue life at 90% reliability is the usual basis for bearing selection.

Steps for Selection

Step 1

Determine an appropriate L₁₀ design life.

Type of service	Operating time, hours per year	Design life, years	L ₁₀ design life, hours
Light seasonal usage	500 to 750	3-5	3,000
Heavy seasonal usage	1,400 to 1,600	4-6	8,000
Industrial—8 hour shift	2,000	10	20,000

Step 2

Determine a required $\left(\frac{C}{P}\right)$ from Table 1.

Step 3

Calculate the required C and select a ball bearing.

a For radial load only:

$$P = F_r$$

$$\text{required } C = \left(\frac{C}{P}\right) P \text{ using } \left(\frac{C}{P}\right) \text{ from Step 2}$$

Select a ball bearing from Table 3 with a basic load rating C equal to or greater than the required C.

b For combined radial and thrust loads when $\frac{F_a}{F_r}$ is 0.19 or less:

$$P = F_r$$

$$\text{required } C = \left(\frac{C}{P}\right) P \text{ using } \left(\frac{C}{P}\right) \text{ from Step 2}$$

Select a ball bearing from Table 3 with a basic load rating C equal to or greater than the required C.

Series 45 and 55 bearings have wide inner rings for load support where non-relubricatable bearings are used, bearing life is often limited by grease life, which is in turn affected by operating conditions. Also, economically designed housings must be applied within proportionate load limits. To assure a satisfactory bearing application, fitting practice, mounting, lubrication, sealing, static rating, housing strength, operating conditions and maintenance must be considered.

Step 3 (continued)

c For combined radial and thrust loads when $\frac{F_a}{F_r}$ is greater than 0.19, use the following trial method:

$$\text{Maximum } P = .56F_r + 2.30F_a$$

$$\text{Maximum required } C = \left(\frac{C}{P}\right) P \text{ using } \quad \text{from Step 2}$$

Select a trial ball bearing with a basic load rating C from Table 3 approximately equal to the maximum required C.

$$\text{With this trial bearing calculate: } \frac{F_a}{N_d^2}$$

Determine X and Y from Table 2.

Calculate P for the trial bearing.

$$P = XF_r + YF_a$$

$$\text{required } C = \left(\frac{C}{P}\right) P \text{ for the trial bearing using } \left(\frac{C}{P}\right) \text{ from Step 2}$$

Consult Table 3, basic load rating. If a smaller bearing meets or nearly meets the required C, its life expectancy can be calculated.

Note: If the load P is greater than .25C for series 45 and 55 consult Rexnord Bearing Products.

Selection

Symbols for formulas:

C = basic load rating, pounds (or newtons)
 Co = static load rating, pounds (or newtons)
 e = a reference value
 Fa = thrust load, pounds (or newtons)
 Fr = radial load, pounds (or newtons)
 L10 = rating life, hours

n = speed, revolutions per minute
 P = equivalent radial load, pounds (or newtons)
 X = radial factor
 Y = thrust factor

Table 1 • Relation of L10 life and speed to $\left(\frac{C}{P}\right)$

Bearing life, hours L ₁₀	$\left(\frac{C}{P}\right)$ ratio									
	Speed, n									
	50	100	200	300	400	500	600	700	800	
3000	2.08	2.62	3.30	3.77	4.15	4.47	4.75	5.01	5.23	
4000	2.29	2.88	3.63	4.15	4.57	4.92	5.23	5.51	5.76	
5000	2.46	3.10	3.91	4.47	4.92	5.30	5.64	5.93	6.20	
6000	2.62	3.30	4.15	4.75	5.23	5.64	5.99	6.30	6.59	
8000	2.88	3.63	4.57	5.23	5.76	6.20	6.59	6.94	7.25	
10000	3.10	3.91	4.92	5.64	6.20	6.68	7.10	7.47	7.81	
12000	3.30	4.15	5.23	5.99	6.59	7.10	7.54	7.94	8.30	
14000	3.47	4.37	5.51	6.30	6.94	7.47	7.94	8.36	8.74	
16000	3.63	4.57	5.76	6.59	7.25	7.81	8.30	8.74	9.14	
18000	3.77	4.75	5.99	6.86	7.54	8.13	8.63	9.09	9.50	
20000	3.91	4.92	6.20	7.10	7.81	8.42	8.94	9.41	9.84	
25000	4.21	5.30	6.68	7.65	8.42	9.07	9.63	10.1	10.6	
30000	4.47	5.64	7.10	8.13	8.94	9.63	10.2	10.8	11.3	
35000	4.71	5.93	7.47	8.55	9.41	10.1	10.8	11.3	11.9	
40000	4.92	6.20	7.81	8.94	9.84	10.6	11.3	11.9	12.4	
45000	5.12	6.45	8.13	9.30	10.2	11.0	11.7	12.3	12.9	
50000	5.30	6.68	8.42	9.63	10.6	11.4	12.1	12.8	13.4	
60000	5.64	7.10	8.94	10.2	11.3	12.1	12.9	13.6	14.2	
70000	5.93	7.47	9.41	10.8	11.9	12.8	13.6	14.3	14.9	
80000	6.20	7.81	9.84	11.3	12.4	13.4	14.2	14.9	15.6	
90000	6.45	8.13	10.2	11.7	12.9	13.9	14.8	15.5	16.2	
100000	6.68	8.42	10.6	12.1	13.4	14.4	15.3	16.1	16.8	
150000	7.65	9.63	12.1	13.9	15.3	16.5	17.5	18.4	19.3	
200000	8.42	10.6	13.4	15.3	16.8	18.1	19.3	20.3	21.2	
	Speed, n									
	900	1000	1200	1500	1800	2400	3600	6000	10000	
3000	5.44	5.64	5.99	6.45	6.86	7.54	8.63	10.2	12.1	
4000	5.99	6.20	6.59	7.10	7.54	8.30	9.50	11.3	13.4	
5000	6.45	6.68	7.10	7.65	8.13	8.94	10.2	12.1	14.4	
6000	6.86	7.10	7.54	8.13	8.63	9.50	10.9	12.9	15.3	
8000	7.54	7.81	8.30	8.94	9.50	10.5	12.0	14.2	16.8	
10000	8.13	8.42	8.94	9.63	10.2	11.3	12.9	15.3	18.1	
12000	8.63	8.94	9.50	10.2	10.9	12.0	13.7	16.2	19.3	
14000	9.09	9.41	10.0	10.8	11.4	12.6	14.4	17.1	20.3	
16000	9.50	9.84	10.5	11.3	12.0	13.2	15.1	17.9	21.2	
18000	9.88	10.2	10.9	11.7	12.4	13.7	15.7	18.6	22.0	
20000	10.2	10.6	11.3	12.1	12.9	14.2	16.2	19.3	22.8	
25000	11.0	11.4	12.1	13.1	13.9	15.3	17.5	20.7	24.6	
30000	11.7	12.1	12.9	13.9	14.8	16.2	18.6	22.0	26.1	
35000	12.3	12.8	13.6	14.6	15.5	17.1	19.6	23.2	27.5	
40000	12.9	13.4	14.2	15.3	16.2	17.9	20.5	24.3	28.7	
45000	13.4	13.9	14.8	15.9	16.9	18.6	21.3	25.2	29.9	
50000	13.9	14.4	15.3	16.5	17.5	19.3	22.0	26.1	31.0	
60000	14.8	15.3	16.2	17.5	18.6	20.5	23.4	27.8	32.9	
70000	15.5	16.1	17.1	18.4	19.6	21.5	24.6	29.2	34.6	
80000	16.2	16.8	17.9	19.3	20.5	22.5	25.8	30.5	36.2	
90000	16.9	17.5	18.6	20.0	21.3	23.4	26.8	31.8	37.7	
100000	17.5	18.1	19.3	20.7	22.0	24.3	27.8	32.9	39.0	
150000	20.0	20.7	22.0	23.7	25.2	27.8	31.8	37.7	44.6	
200000	22.0	22.8	24.3	26.1	27.8	30.5	35.0	41.4	49.1	

Basic formula

$$\left(\frac{C}{P}\right) = \left(\frac{L_{10} \times n \times 60}{1,000,000}\right)^{1/3}$$

$$L_{10} = \frac{\left(\frac{C}{P}\right)^3 \times 1,000,000}{n \times 60}$$

Life Expectancy

To calculate the Rating Life L₁₀ of any selected or trial bearing:

Step 1

Determine the equivalent radial load P.

a For radial load only:
 $P = F_r$

b For combined radial and thrust load:
 $P = X F_r + Y F_a$ using X and Y from Table 2 below.

Step 2

Calculate the ratio of basic load rating C to the equivalent radial load.

$$\left(\frac{C}{P}\right)$$

Step 3 Approximate the bearing life from Table 1.

Table 2 • X and Y factors for ball bearings

$\frac{F_a}{N d^2}$	e	$\frac{F_a}{F_r} \leq e$		$\frac{F_a}{F_r} > e$	
		X	Y	X	Y
25	.19	1.0	0	.56	2.30
37.5	.21	1.0	0	.56	2.15
50	.22	1.0	0	.56	1.99
75	.24	1.0	0	.56	1.85
100	.26	1.0	0	.56	1.71
125	.27	1.0	0	.56	1.63
150	.28	1.0	0	.56	1.56
200	.30	1.0	0	.56	1.45
300	.34	1.0	0	.56	1.31
500	.38	1.0	0	.56	1.15
750	.42	1.0	0	.56	1.04
1000	.44	1.0	0	.56	1.00

For values between those in the table linear interpolation can be used.

Life Adjustment

The Rating Life, L₁₀, may be modified for some applications in accordance with the formula

$$L'_n = a_1 a_2 a_3 L_{10}$$

where L'_n = Adjusted life for (100-n) % reliability,

a₁ = Life adjustment factor for reliability

a₂ = Life adjustment factor for material and processing

a₃ = Life adjustment factor for operating conditions.

For most normal applications, all factors will be taken as 1, and the Rating Life used as the selection basis or life estimate. In addition, as long as standard catalog bearings are used, a₂ will be normally set equal to one. The factor a₃ covers such things as lubrication, misalignment, and temperature. Some conditions that could yield a₃ significantly different than unity include speeds less than 20000 DN or greater than 200000 DN, temperatures below -40°F (-40°C) or above 275°F (135°C). For other possible conditions, as well as additional information on life adjustment factors, consult Rexnord Bearing Products.

Table 3 - Load Ratings

Basic size	Co Static Load Rating		C Basic Load Rating		Approximate Speed Limit RPM*			d Ball Diameter	N Number of Balls	Nd ²
	newtons	pounds	newtons	pounds	N seals	E,E1 seals	Flingers only	inches		
203	4940	1110	8100	1820	14000	9000	15800	19/64	7	0.617
204	6590	1480	9830	2210	10000	7500	13400	5/16	8	0.781
205	7830	1760	10810	2430	9600	6800	11400	5/16	9	0.879
206	11300	2530	15030	3380	8000	5600	9800	3/8	9	1.27
207	15300	3440	19880	4470	6850	4800	8400	7/16	9	1.72
208	19900	4460	25100	5640	6000	4500	7500	1/2	9	2.25
209	20400	4590	25220	5670	5330	4000	6800	1/2	9	2.25
210	23200	5220	27090	6090	4800	3600	6400	1/2	10	2.50
211	29200	6570	33540	7540	4360	3200	5800	9/16	10	3.16
212	36000	8080	40520	9110	4000	3000	5300	5/8	10	3.91
					K seals	TFF seals	Flingers only			
214	38300	8620	48000	10800	3050	2850	4600	11/16	10	4.73
215	37600	8460	47600	10700	2900	2700	4400	11/16	10	4.73
216	50700	11400	59600	13400	2700	2550	4050	3/4	11	6.19
218	64000	14400	73800	16600	2400	2250	3600	7/8	10	7.66

If the load is greater than .25C consult Rexnord Bearing Products.

* Approximate speed limits are based on grease lubrication and moderate load.

Table 4 - Load Ratings

Basic Bearing Size	L ₁₀ Minimum Life, Hours	Radial Load Ratings in Pounds at Various Revolutions Per Minute																				
		50	100	200	300	400	500	600	700	800	900	1000	1200	1500	1600	1800	2000	2500	3000	3500	4000	5000
203	8000	-	-	398	347	315	293	276	262	251	241	233	219	203	198	191	184	171	161	152	146	135
	20000	-	369	293	256	233	216	203	193	184	178	171	161	150	146	141	135	126	118	113	107	100
	40000	369	293	233	203	184	171	161	152	146	141	135	128	118	115	112	107	100	94	89	85	79
	100000	272	216	171	150	135	126	118	113	108	104	100	94	87	85	82	79	73	69	65	63	58
204	8000	-	-	483	422	383	356	335	318	304	293	282	266	247	241	232	224	208	195	185	178	164
	20000	-	449	356	311	282	262	247	234	224	216	208	195	182	178	171	164	153	144	137	130	121
	40000	449	356	282	247	224	208	195	185	178	171	164	155	144	140	136	130	121	114	108	104	96
	100000	330	262	208	182	164	153	144	137	131	126	122	114	106	104	100	96	89	84	80	76	71
205	8000	-	-	531	464	421	391	368	350	335	322	311	292	271	265	255	246	229	215	204	195	181
	20000	-	493	391	342	311	288	271	258	246	238	229	215	200	195	188	181	168	158	150	143	133
	40000	493	391	311	271	246	229	215	204	195	188	181	171	158	154	150	143	133	125	119	114	106
	100000	363	288	229	200	181	168	158	150	144	138	134	125	117	114	110	106	98	92	88	84	78
206	8000	-	-	739	646	586	545	512	487	466	448	432	407	378	368	355	342	318	299	284	272	252
	20000	-	686	545	476	432	401	378	359	343	331	318	299	279	272	262	252	234	220	209	200	185
	40000	686	545	432	378	343	318	299	284	272	262	252	238	220	215	208	200	185	175	166	159	147
	100000	505	401	318	279	252	234	220	209	201	193	186	175	163	159	153	147	136	129	122	117	108
207	8000	-	-	978	854	776	720	678	644	616	592	572	538	500	487	470	453	421	395	375	360	333
	20000	-	908	720	629	572	530	500	475	454	438	421	395	369	360	346	333	310	292	277	264	245
	40000	908	720	572	500	454	421	395	375	360	346	333	314	292	284	275	264	245	231	220	210	195
	100000	669	530	421	369	333	310	292	277	266	255	246	231	215	210	203	195	180	170	161	155	143
208	8000	-	-	1230	1070	979	909	855	812	777	748	722	679	630	615	593	572	532	499	473	454	420
	20000	-	1140	909	794	722	669	630	599	573	552	532	499	466	454	437	420	391	368	350	333	309
	40000	1140	909	722	630	573	532	499	473	454	437	420	397	368	359	348	333	309	292	277	266	246
	100000	844	669	532	466	420	391	368	350	335	322	311	292	272	266	256	246	228	215	204	195	181
209	8000	-	-	1240	1080	984	914	860	817	782	751	725	683	634	618	596	575	534	501	476	457	423
	20000	-	1150	914	798	725	673	634	602	576	555	534	501	468	457	439	423	393	370	352	335	311
	40000	1150	914	725	634	576	534	501	476	457	439	423	399	370	361	350	335	311	293	279	267	247
	100000	848	673	534	468	423	393	370	352	337	324	313	293	273	267	257	247	229	216	205	196	182
210	8000	-	-	1330	1160	1050	982	924	877	840	807	779	733	681	664	641	617	574	538	511	491	451
	20000	-	1230	982	857	779	723	681	647	618	597	574	538	503	491	472	454	422	398	378	360	327
	40000	1230	982	779	681	618	574	538	511	491	472	454	428	398	387	375	360	334	315	300	287	257
	100000	911	723	574	503	454	422	398	378	362	348	336	315	294	287	276	265	246	232	220	211	187
211	8000	-	-	1640	1440	1300	1210	1140	1080	1040	1000	965	908	843	823	793	764	711	667	623	608	568
	20000	-	1530	1210	1060	965	895	843	801	766	739	711	667	623	608	584	562	523	492	468	446	416
	40000	1530	1210	965	843	766	711	667	633	608	584	562	530	492	480	465	446	414	390	371	355	325
	100000	1120	895	711	623	562	523	492	468	448	430	416	390	364	355	342	329	305	287	273	261	231
212	8000	-	-	1990	1740	1580	1460	1380	1310	1250	1200	1160	1090	1010	994	958	923	859	806	765	734	694
	20000	-	1850	1460	1280	1160	1080	1010	968	925	893	859	806	752	734	706	679	632	595	565	539	509
	40000	1850	1460	1160	1010	925	859	806	765	734	706	679	641	595	580	562	539	500	472	448	429	409
	100000	1360	1080	859	752	679	632	595	565	542	520	503	472	440	429	414	397	368	347	330	316	286
214	8000	-	-	2360	2060	1870	1740	1630	1550	1480	1430	1380	1300	1200	1170	1130	1090	1010	955	905	875	835
	20000	-	2190	1740	1520	1380	1280	1200	1140	1090	1050	1010	955	892	870	837	805	750	705	666	639	609
	40000	2190	1740	1380	1200	1090	1010	955	907	870	837	805	760	705	687	666	639	593	559	529	509	479
	100000	1610	1280	1010	892	805	750	705	670	642	617	596	559	521	509	490	471	437	412	392	372	352
215	8000	-	-	2340	2040	1850	1720	1620	1540	1470	1410	1370	1280	1190	1160	1120	1080	1000	945	895	865	825
	20000	-	2170	1720	1500	1370	1270	1190	1130	1080	1040	1000	946	884	862	829	798	743	703	663	633	593
	40000	2170	1720	1370	1190	1080	1000	946	899	862	829	798	753	699	681	660	633	587	557	527	507	467
	100000	1600	1270	1000	884	798	743	699	664	636	611	591	554	516	504	486	467	433	413	393	373	353
216	8000	-	-	2930	2560	2320	2160	2030	1930	1840	1770	1710	1610	1490	1460	1410	1350	1260	1205	1155	1105	1055
	20000	-	2720	2160	1880	1710	1590	1490	1420	1360	1310	1260	1180	1100	1080	1030	1000	930	875	845	815	775
	40000	2720	2160	1710	1490	1360	1260	1180	1120	1080	1030	1000	943	875	853	827	792	736	706	676	646	606
	100000	2000	1590	1260	1100	1000	930	875	832	797	765	740	694	647	632	609	585	542	522	502	482	462
218	8000	-	-	3630	3170	2880	2670	2510	2390	2280	2200	2120	2000	1850	1810	1740	1680	1585	1535	1485	1435	1385
	20000	-	3370	2670	2330	2120	1970	1850	1760	1680	1620	1560	1460	1370	1330	1280	1230	1160	1110	1060	1010	960
	40000	3370	2670	2120	1850	1680	1560	1460	1390	1330	1280	1230	1160	1080	1050	1020	982	927	897	867	837	807
	100000	2480	1970	1560	1370	1230	1150	1080	1030	988	948	917	860	801	783	754	724	679	649	619	589	559

See previous page for Basic Load Rating

Operation in the shaded areas require frequent relubrication.

If the load P is greater than .25C consult Rexnord Bearing Products.

Operation in the high speed shaded areas requires frequent relubrication.

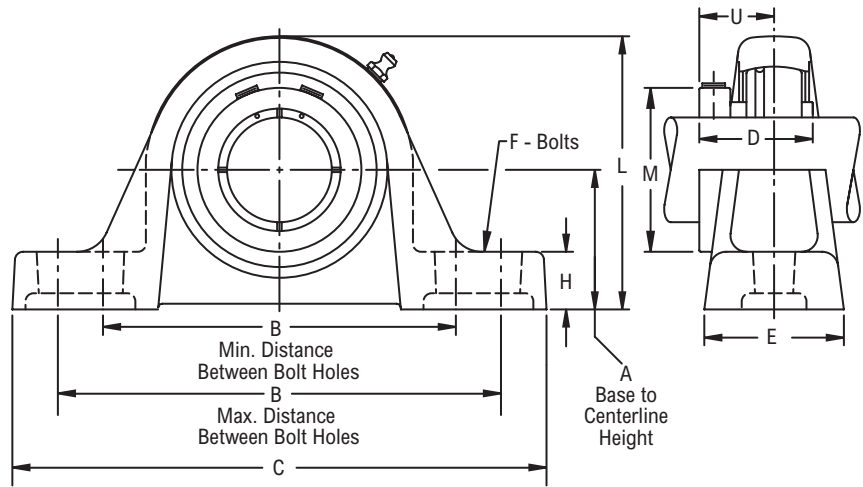
KC45 (Scheduled to be discontinued in 2013)



Photo Shows a 2-Bolt Ball Bearing Pillow Block Unit

Product Features

- Corrosion-resistant powder coating
- Cast iron housing
- Broad range of sealing options
- Wide inner ring for increased shaft stability
- Centrik-Lok shaft locking device
- Alignable & relubricatable
- See Features & Benefits for additional info.



Bearing Dimensions

Size Code	Shaft Diameter	Part Number	A Base to Centerline Height	B Min. Distance Between Bolt Holes	B Max. Distance Between Bolt Holes	C	D	E	F	H	L	M	U	Approx. Weight
203	1/2	KC45-12♦●□△	1 3/16	3 1/8	4 1/8	5	1 3/32	1 3/8	3/8	1/2	2 9/32	1 1/8	41/64	1.49
	5/8	KC45-58♦●□△										1 13/64		1.45
	11/16	KC45-1116♦●□△										1 13/64		1.43
204	3/4	KC45-34♦●□△	1 5/16	3 3/8	4 3/16	5 1/4	1 7/32	1 1/2	3/8	17/32	2 17/32	1 3/8	23/32	1.66
	20.00	KC45-20♦●□△	33.32	85.70	106.40	133.30	30.96	38.10	10.00	13.50	64.30	34.90	18.30	0.80
205	7/8	KC45-78♦●□△	1 7/16	3 7/16	4 9/16	5 1/2	1 5/16	1 1/2	3/8	19/32	2 13/16	1 9/16	3/4	1.90
	15/16	KC45-1516♦●□△										1 9/16		1.87
	1	KC451♦●□△										1 9/16		1.84
206	1 1/8	KC45-18♦●□△	1 11/16	4 1/8	5 1/8	6 1/4	1 1/2	1 7/8	1/2	2 1/32	3 3/8	1 13/16	7/8	3.11
	1 3/16	KC451-316♦●□△										2		3.08
	1 1/4	KC451-14S♦●□△										2		3.05
207	1 1/4	KC451-14♦●□△	1 7/8	4 9/16	5 9/16	6 11/16	1 11/16	1 7/8	1/2	3/4	3 3/4	2	1	3.94
	1 3/8	KC451-38♦●□△										2 1/4		3.84
	1 7/16	KC451-716♦●□△										2 1/4		3.78
208	1 1/2	KC451-12♦●□△	1 15/16	5 1/32	6 1/32	7 1/4	1 15/16	2 1/8	1/2	7/8	4	2 1/2	1 3/16	4.99
	1 5/8	KC451-58♦●□△										2 1/2		4.85
	40.00	KC45-40♦●□△										49.22		127.80
209	1 5/8	KC451-58L♦●□△	2 1/8	5 13/32	6 17/32	7 3/4	1 15/16	2 1/8	1/2	29/32	4 5/16	2 1/2	1 3/16	5.69
	1 11/16	KC451-1116♦●□△										2 11/16		5.62
	1 3/4	KC451-34♦●□△										2 11/16		5.55
210	1 7/8	KC451-78♦●□△	2 1/4	5 27/32	6 27/32	8 1/4	2 1/32	2 3/8	5/8	1	4 9/16	2 7/8	1 9/32	6.83
	1 15/16	KC451-1516♦●□△										2 7/8		6.74
	2	KC452♦●□△										2 7/8		6.65
211	2	KC452L♦●□△	2 1/2	6 5/16	7 1/2	8 7/8	2 3/16	2 3/8	5/8	1	5	2 7/8	1 5/16	8.49
	2 3/16	KC452-316♦●□△										3 1/8		8.29
	2 1/4	KC452-14♦●□△										3 1/8		8.19
212	2 1/4	KC452-14L♦●□△	2 3/4	6 29/32	8 5/32	9 5/8	2 9/16	2 3/4	5/8	1 1/16	5 9/16	3 1/8	1 9/16	11.99
	2 3/8	KC452-38♦●□△										3 3/8		11.75
	2 7/16	KC452-716♦●□△										3 3/8		11.63
215	2 15/16	KC452-1516♦●□△	3 1/2	8 1/8	10 1/2	13	3 1/16	3 1/2	7/8	1 7/32	6 29/32	3 15/16	1 3/4	25.05

Additional Notes

- Please call 1-866-REXNORD for availability
- Lubrication fitting tap size, 1/8 in PT
- Base to centerline tolerance, +/- .005 in (+/- 0.13 mm)
- Lip seals standard
 - ♦ Available with E1 viton seals for size codes 212 and smaller
 - ♦ Available with TFF viton seals for size codes above 212
- Available with free running style seals, add suffix ● FF, □ HFF or △ MHFF for size codes 212 and smaller

- Add suffix ● FF, □ SFF or △ MKFF for size codes above 212
- For the Selection Guide, Load Ratings and Speed Limits, see the Krown Regal Ball Bearing Engineering section
- Note: Dimensions subject to change. Certified dimensions of ordered material furnished on request.

KC55 (Scheduled to be discontinued in 2013)

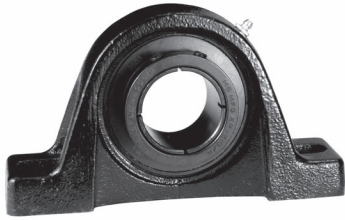
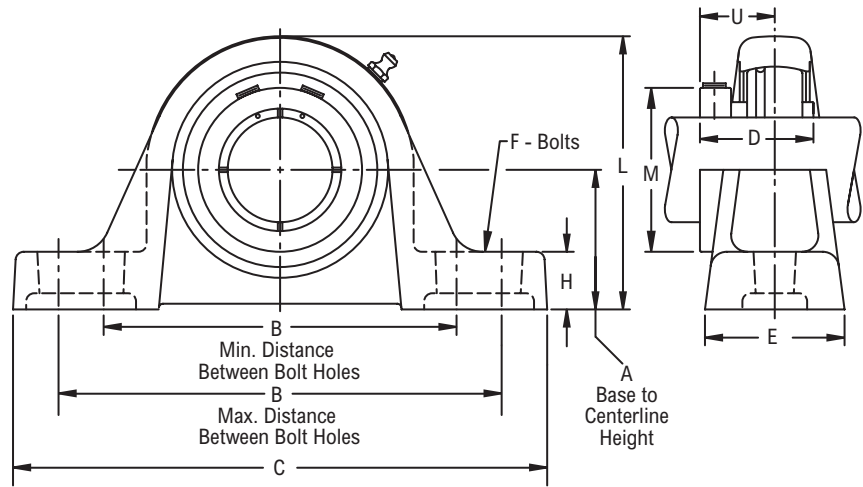


Photo Shows a 2-Bolt Ball Bearing Pillow Block Unit

Product Features

- Corrosion-resistant powder coating
- Cast iron housing
- Broad range of sealing options
- Wide inner ring for increased shaft stability
- Centrik-Lok shaft locking device
- Alignable & relubricatable
- See Features & Benefits for additional info.



Bearing Dimensions

Size Code	Shaft Diameter	Part Number	A Base to Centerline Height	B Min. Distance Between Bolt Holes	B Max. Distance Between Bolt Holes	C	D	E	F	H	L	M	U	Approx. Weight
206	1	KC551◆□△	1 3/4	4 1/8	5 1/8	6 1/4	1 1/2	1 7/8	1/2	23/32	3 7/16	1 3/16	7/8	3.20
207	1 3/16	KC551-316◆□△	1 7/8	4 9/16	5 9/16	6 11/16	1 11/16	1 7/8	1/2	3/4	3 3/4	2	1	3.95
208	1 7/16	KC551-716◆□△	2 1/8	5 1/32	6 1/32	7 1/4	1 15/16	2 1/8	1/2	7/8	4 3/16	2 1/4	1 3/16	5.04
209	1 1/2	KC551-12◆□△	2 5/16	5 13/32	6 17/32	7 3/4	1 15/16	2 1/8	1/2	29/32	4 5/16	2 1/2	1 3/16	5.81
210	1 11/16	KC551-1116◆□△	2 5/16	5 27/32	6 27/32	8 1/4	2 1/32	2 3/8	5/8	1	4 5/8	2 3/4	1 9/32	7.00
	1 3/4	KC551-34◆□△												
211	1 15/16	KC551-1516◆□△	2 1/2	6 5/16	7 1/2	8 7/8	2 3/16	2 3/8	5/8	1	5	2 7/8	1 5/16	8.50
	2	KC552◆□△												
212	2 3/16	KC552-316◆□△	2 3/4	6 29/32	8 5/32	9 5/8	2 9/16	2 3/4	5/8	1 1/16	5 9/16	3 1/8	1 9/16	12.11
214	2 7/16	KC552-716◆□△	3	7 1/2	9 1/2	11 1/4	2 3/4	3 1/4	3/4	1 5/32	6 1/4	3 3/4	1 11/16	19.00
	2 1/2	KC552-12◆□△												
215	2 11/16	KC552-1116◆□△	3 1/2	8 1/8	10 1/2	13	3 1/16	3 1/2	7/8	1 7/32	6 29/32	3 15/16	1 3/4	25.68
216	2 15/16	KC552-1516◆□△	3 1/2	8 3/8	10 1/2	13	3 1/4	3 1/2	7/8	1 9/32	7 1/4	4 3/16	1 15/16	27.00
	3	KC553◆□△												
	3 3/16	KC553-316◆□△												
218	3 7/16	KC553-716◆□△	4	9 13/16	12 5/16	15	3 25/32	4 3/8	7/8	1 11/32	8 1/4	4 13/16	2 7/32	41.00
	3 1/2	KC553-12◆□△												
	3 1/2	KC553-12◆□△												

Additional Notes

- Please call 1-866-REXNORD for availability
- Lubrication fitting tap size, 1/8 in PT
- Base to centerline tolerance, +/- .005 in (+/- 0.13 mm)
- Lip seals standard
- ◆ Available with E1 viton seals for size codes 212 and smaller
- ◆ Available with TFF viton seals for size codes above 212
- Available with free running style seals, add suffix ● FF, □ HFF or △ MHFF for size codes 212 and smaller

Add suffix ● FF, □ SFF or △ MKFF for size codes above 212
 For the Selection Guide, Load Ratings and Speed Limits, see the Krown Regal Ball Bearing Engineering section
 Note: Dimensions subject to change. Certified dimensions of ordered material furnished on request.

KCL45 (Scheduled to be discontinued in 2013)

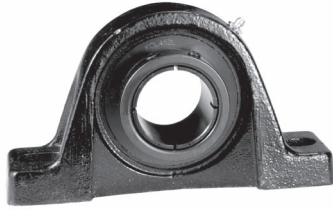
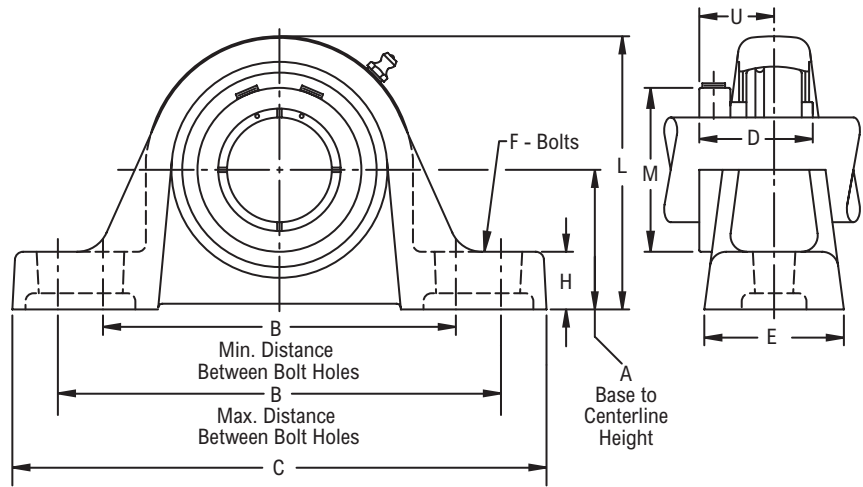


Photo Shows a 2-Bolt Ball Bearing Pillow Block Unit

Product Features

- Corrosion-resistant powder coating
- Cast iron housing
- Broad range of sealing options
- Wide inner ring for increased shaft stability
- Centrik-Lok shaft locking device
- Alignable & relubricatable
- Low base to center height
- See Features & Benefits for additional info.



Bearing Dimensions

Size Code	Shaft Diameter	Part Number	A Base to Centerline Height	B Min. Distance Between Bolt Holes	B Max. Distance Between Bolt Holes	C	D	E	F	H	L	M	U	Approx. Weight
203	1/2	KCL45-12♦♦ □Δ	1 1/16	3 1/8	4 1/8	5	1 3/32	1 3/8	3/8	3/8	2 5/32	1 1/8	4 1/64	1.32
	5/8	KCL45-58♦♦ □Δ										1 13/64		1.28
	1 1/16	KCL45-1116♦♦ □Δ												1.26
204	3/4	KCL45-34♦♦ □Δ	1 1/4	3 3/8	4 3/16	5 1/4	1 7/32	1 1/2	3/8	15/32	2 15/32	1 3/8	23/32	1.49
	20.00	KCL45-20♦♦ □Δ	31.75	85.70	106.40	133.30	30.96	38.10	10.00	11.90	62.70	34.90	18.30	0.70
205	7/8	KCL45-78♦♦ □Δ	1 5/16	3 7/16	4 9/16	5 1/2	1 5/16	1 1/2	3/8	15/32	2 11/16	1 9/16	3/4	1.72
	1 5/16	KCL45-1516♦♦ □Δ												1.69
	1	KCL451♦♦ □Δ												1.68
	25.00	KCL45-25♦♦ □Δ	33.32	87.30	115.90	132.10	33.32	38.10	10.00	11.90	68.30	39.70	19.00	0.80
206	1 1/8	KCL451-18♦♦ □Δ	1 9/16	4 1/8	5 1/8	6 1/4	1 1/2	1 7/8	1/2	17/32	3 1/4	1 13/16	7/8	2.93
	1 3/16	KCL451-316♦♦ □Δ										2		2.90
	1 1/4	KCL451-14S♦♦ □Δ												2.87
207	1 1/4	KCL451-14♦♦ □Δ	1 13/16	4 9/16	5 9/16	6 11/16	1 11/16	1 7/8	1/2	11/16	3 11/16	2 1/4	1	3.85
	1 3/8	KCL451-38♦♦ □Δ												3.75
	1 7/16	KCL451-716♦♦ □Δ												3.69
208	1 1/2	KCL451-12♦♦ □Δ	1 15/16	5 1/32	6 1/32	7 1/4	1 15/16	2 1/8	1/2	7/8	4	2 1/2	1 3/16	4.99
	1 5/8	KCL451-58♦♦ □Δ												4.85
	40.00	KCL45-40♦♦ □Δ												49.22
209	1 5/8	KCL451-58L♦♦ □Δ	2 1/16	5 13/32	6 17/32	7 3/4	1 15/16	2 1/8	1/2	27/32	4 1/4	2 1/2	1 3/16	5.43
	1 11/16	KCL451-1116♦♦ □Δ										2 11/16		5.36
	1 3/4	KCL451-34♦♦ □Δ												5.29
210	1 7/8	KCL451-78♦♦ □Δ	2 3/16	5 27/32	6 27/32	8 1/4	2 1/32	2 3/8	5/8	15/16	4 1/4	2 7/8	1 9/32	6.75
	1 15/16	KCL451-1516♦♦ □Δ												6.66
	2	KCL452♦♦ □Δ												6.57
211	2	KCL452L♦♦ □Δ	2 7/16	6 5/16	7 1/2	8 7/8	2 3/16	2 3/8	5/8	15/16	4 15/16	2 7/8	1 5/16	8.40
	2 3/16	KCL452-316♦♦ □Δ										3 1/8		8.10
	2 1/4	KCL452-14♦♦ □Δ												8.00
212	2 1/4	KCL452-14L♦♦ □Δ	2 11/16	6 29/32	8 5/32	9 5/8	2 9/16	2 3/4	5/8	1	5 1/2	3 1/8	1 9/16	11.81
	2 3/8	KCL452-38♦♦ □Δ										3 3/8		11.57
	2 7/16	KCL452-716♦♦ □Δ												11.45
215	2 15/16	KCL452-1516♦♦ □Δ	3 5/16	8 1/8	10 1/2	13	3 1/16	3 1/2	7/8	1 1/32	6 23/32	3 15/16	1 3/4	24.55

Additional Notes

- Please call 1-866-REXNORD for availability
- Lubrication fitting tap size: for size codes 203 through 205, 1/4 in-28 UNF: for all other size codes, 1/8 in PT
- Base to centerline tolerance, +/- .005 in (+/- 0.13 mm)
- Lip seals standard
- ♦ Available with E1 viton seals for size codes 212 and smaller
- ♦ Available with TFF viton seals for size codes above 212

- Available with free running style seals, add suffix ♦ FF, □ HFF or Δ MHFF for size codes 212 and smaller
- Add suffix ♦ FF, □ SFF or Δ MKFF for size codes above 212
- For the Selection Guide, Load Ratings and Speed Limits, see the Krown Regal Ball Bearing Engineering section
- Note: Dimensions subject to change. Certified dimensions of ordered material furnished on request.

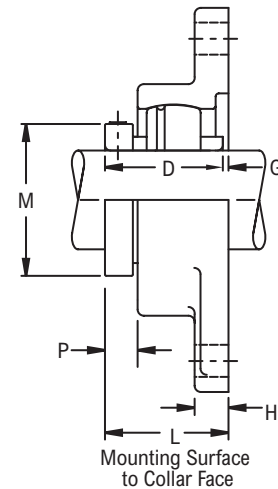
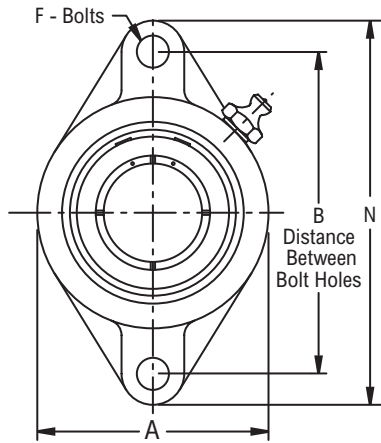
KFC245 (Scheduled to be discontinued in 2013)



Photo Shows a 2-Bolt Ball Bearing Flanged Unit

Product Features

- Corrosion-resistant powder coating
- Cast iron housing
- Broad range of sealing options
- Wide inner ring for increased shaft stability
- Centrik-Lok shaft locking device
- Alignable & relubricatable
- See Features & Benefits for additional info.



Mounting Surface to Collar Face

Bearing Dimensions

Size Code	Shaft Diameter	Part Number	B Distance Between Bolt Holes	L Mounting Surface to Collar Face	A	D	F	G	H	M	N	P	Approx. Weight
203	1/2	KFC245-12♦□Δ	3	1 13/64	2 5/16	1 3/32	3/8	7/64	7/16	1 1/8	3 7/8	19/64	0.95
	5/8	KFC245-58♦□Δ								1 13/64			0.91
	11/16	KFC245-1116♦□Δ								1 13/64			0.89
204	3/4	KFC245-34♦□Δ	3 17/32	1 9/32	2 7/16	1 7/32	3/8	1/16	7/16	1 3/8	4 13/32	11/32	1.05
	20.00	KFC245-20♦□Δ	89.69	32.20	58.40	30.96	10.00	1.60	11.10	34.90	111.90	8.70	0.50
205	7/8	KFC245-78♦□Δ	3 57/64	1 3/8	2 3/4	1 5/16	7/16	1/16	17/32	1 9/16	4 7/8	13/32	1.37
	15/16	KFC245-1516♦□Δ								1 9/16			1.34
	1	KFC2451♦□Δ								1 9/16			1.31
	25.00	KFC245-25♦□Δ	98.82	34.90	69.80	33.32	10.00	1.60	13.50	39.70	123.80	10.30	0.60
206	1 1/8	KFC2451-18♦□Δ	4 19/32	1 9/16	3 3/16	1 1/2	7/16	1/16	17/32	1 13/16	5 9/16	7/16	1.88
	1 3/16	KFC2451-316♦□Δ								2			1.84
	1 1/4	KFC2451-14S♦□Δ								2			1.80
207	1 1/4	KFC2451-14♦□Δ	5 1/8	1 3/4	3 11/16	1 11/16	1/2	1/16	9/16	2	6 1/8	15/32	2.80
	1 3/8	KFC2451-38♦□Δ								2 1/4			2.70
	1 7/16	KFC2451-716♦□Δ								2 1/4			2.65
208	1 1/2	KFC2451-12♦□Δ	5 21/32	2 1/64	4 1/8	1 15/16	1/2	5/64	9/16	2 1/2	6 3/4	33/64	3.94
	1 5/8	KFC2451-58♦□Δ								2 1/2			3.80
	40.00	KFC245-40♦□Δ								143.67			51.20
209	1 5/8	KFC2451-58L♦□Δ	5 27/32	2 3/64	4 3/8	1 15/16	9/16	7/64	9/16	2 1/2	7 1/16	31/64	4.37
	1 11/16	KFC2451-1116♦□Δ								2 11/16			4.30
	1 3/4	KFC2451-34♦□Δ								2 11/16			4.23
210	1 7/8	KFC2451-78♦□Δ	6 3/16	2 5/32	4 9/16	2 1/32	9/16	1/8	9/16	2 7/8	7 15/32	19/32	4.64
	1 15/16	KFC2451-1516♦□Δ								2 7/8			4.55
	2	KFC2452♦□Δ								2 7/8			4.46
211	2	KFC2452L♦□Δ	7 1/4	2 5/16	5	2 3/16	5/8	1/8	13/16	2 7/8	8 1/2	9/16	7.35
	2 3/16	KFC2452-316♦□Δ								3 1/8			7.05
	2 1/4	KFC2452-14♦□Δ								3 1/8			6.95

Additional Notes

- Please call 1-866-REXNORD for availability
- Lubrication fitting tap size, 1/8 in PT
- Lip seals standard
- ♦ Available with E1 viton seals
- Available with free running style seals, add suffix ♦ FF, □ HFF or Δ MHFF
- For the Selection Guide, Load Ratings and Speed Limits, see the Krown Regal Ball Bearing Engineering section
- Note: Dimensions subject to change. Certified dimensions of ordered material furnished on request.

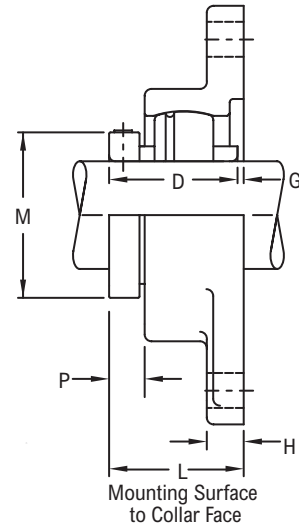
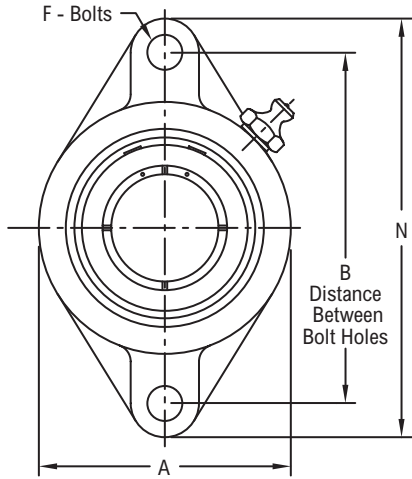
KFC255 (Scheduled to be discontinued in 2013)



Photo Shows a 2-Bolt Ball Bearing Flanged Unit

Product Features

- Corrosion-resistant powder coating
- Cast iron housing
- Broad range of sealing options
- Wide inner ring for increased shaft stability
- Centrik-Lok shaft locking device
- Alignable & relubricatable
- See Features & Benefits for additional info.



Mounting Surface to Collar Face

Bearing Dimensions

Size Code	Shaft Diameter	Part Number	B Distance Between Bolt Holes	L Mounting Surface to Collar Face	A	D	F	G	H	M	N	P	Approx. Weight
206	1	KFC2551◆●□△	4 ¹⁹ / ₃₂	1 ⁹ / ₁₆	3 ³ / ₁₆	1 1/2	7/16	1/16	17/32	1 ¹³ / ₁₆	5 ¹⁹ / ₃₂	7/16	1.97
207	1 ³ / ₁₆	KFC2551-316◆●□△	5 1/8	1 3/4	3 ¹¹ / ₁₆	1 ¹¹ / ₁₆	1/2	1/16	9/16	2	6 1/8	15/32	2.81
208	1 ⁷ / ₁₆	KFC2551-716◆●□△	5 ²¹ / ₃₂	2 ¹ / ₆₄	4 1/8	1 ¹⁵ / ₁₆	1/2	5/64	9/16	2 1/4	6 ²⁵ / ₃₂	33/64	3.99
209	1 1/2	KFC2551-12◆●□△	5 ²⁷ / ₃₂	2 ³ / ₆₄	4 3/8	1 ¹⁵ / ₁₆	9/16	7/64	9/16	2 1/2	7 ³ / ₃₂	31/64	4.49
210	1 ¹¹ / ₁₆	KFC2551-1116◆●□△	6 ³ / ₁₆	2 ⁵ / ₃₂	4 ⁹ / ₁₆	2 ¹ / ₃₂	9/16	1/8	9/16	2 ³ / ₄	7 ⁷ / ₁₆	19/32	4.80
	1 ³ / ₄	KFC2551-34◆●□△											
211	1 ¹⁵ / ₁₆	KFC2551-1516◆●□△	7 1/4	2 ⁵ / ₁₆	5	2 ³ / ₁₆	5/8	1/8	13/16	2 ⁷ / ₈	8 1/2	9/16	7.44

Additional Notes

- Please call 1-866-REXNORD for availability
- Lubrication fitting tap size, 1/8 in PT
- Lip seals standard
- ◆ Available with E1 viton seals
- Available with free running style seals, add suffix ● FF, □ HFF or △ MHFF
- For the Selection Guide, Load Ratings and Speed Limits, see the Krown Regal Ball Bearing Engineering section
- Note: Dimensions subject to change. Certified dimensions of ordered material furnished on request.

KFC445 (Scheduled to be discontinued in 2013)

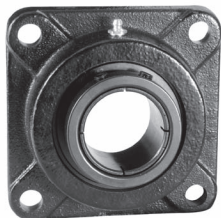
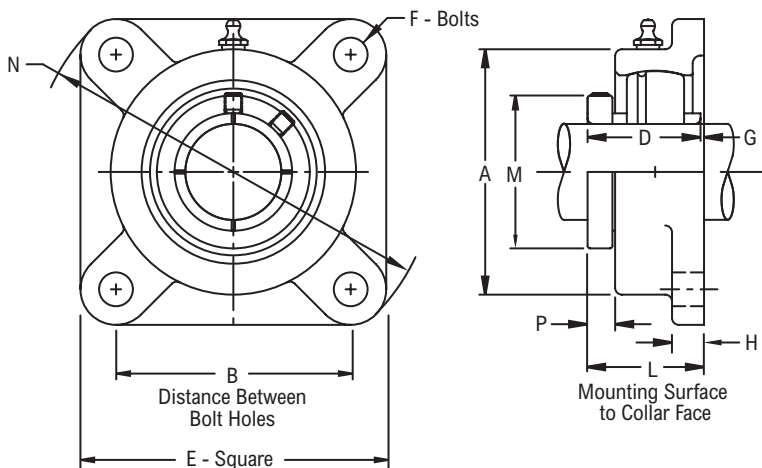


Photo Shows a 4-Bolt Ball Bearing Flanged Unit

Product Features

- Corrosion-resistant powder coating
- Cast iron housing
- Broad range of sealing options
- Wide inner ring for increased shaft stability
- Centrik-Lok shaft locking device
- Alignable & relubricatable
- See Features & Benefits for additional info.



Bearing Dimensions

Size Code	Shaft Diameter	Part Number	B Distance Between Bolt Holes	L Mounting Surface to Collar Face	A	D	E	F	G	H	M	N	P	Approx. Weight
203	1/2	KFC445-12◆●□Δ	2 1/8	1 13/64	2 1/8	1 3/32	3	3/8	7/64	7/16	1 1/8	3 7/8	19/64	1.22
	5/8	KFC445-58◆●□Δ									1 13/64			1.18
	11/16	KFC445-1116◆●□Δ									1.16			
204	3/4	KFC445-34◆●□Δ	2 1/2	1 9/32	2 3/8	1 7/32	3 3/8	3/8	1/16	7/16	1 3/8	4 13/32	11/32	1.31
	20.00	KFC445-20◆●□Δ	63.50	32.20	60.30	30.96	85.70	10.00	1.60	11.10	34.90	111.90	8.70	0.60
205	7/8	KFC445-78◆●□Δ	2 3/4	1 3/8	2 3/4	1 5/16	3 3/4	7/16	1/16	17/32	1 9/16	4 7/8	11/32	1.81
	15/16	KFC445-1516◆●□Δ												1.78
	1	KFC4451◆●□Δ												1.75
206	25.00	KFC445-25◆●□Δ	69.85	34.90	69.80	33.32	95.20	10.00	1.60	13.50	39.70	123.80	8.70	0.80
	1 1/8	KFC4451-18◆●□Δ	3 1/4	1 9/16	3 1/4	1 1/2	4 1/4	7/16	1/16	17/32	1 13/16	5 9/16	7/16	3.11
	1 3/16	KFC4451-316◆●□Δ									2			3.07
1 1/4	KFC4451-14S◆●□Δ	2									3.03			
207	1 1/4	KFC4451-14◆●□Δ	3 5/8	1 3/4	3 3/4	1 11/16	4 5/8	1/2	1/16	9/16	2	6 1/8	15/32	3.59
	1 3/8	KFC4451-38◆●□Δ									2 1/4			3.49
	1 7/16	KFC4451-716◆●□Δ									3.44			
208	1 1/2	KFC4451-12◆●□Δ	4	2 1/64	4 1/8	1 15/16	5 1/4	1/2	5/64	9/16	2 1/2	6 3/4	33/64	4.81
	1 5/8	KFC4451-58◆●□Δ												4.67
	40.00	KFC445-40◆●□Δ												101.60
209	1 5/8	KFC4451-58L◆●□Δ	4 1/8	2 3/64	4 3/8	1 15/16	5 3/8	9/16	7/64	9/16	2 1/2	7 1/16	31/64	4.99
	1 11/16	KFC4451-1116◆●□Δ									2 11/16			4.92
	1 3/4	KFC4451-34◆●□Δ									4.84			
210	1 7/8	KFC4451-78◆●□Δ	4 3/8	2 5/32	4 9/16	2 1/32	5 5/8	9/16	1/8	9/16	2 7/8	7 15/32	19/32	5.52
	1 15/16	KFC4451-1516◆●□Δ												5.43
	2	KFC4452◆●□Δ												5.34
211	2	KFC4452L◆●□Δ	5 1/8	2 5/16	5 1/4	2 3/16	6 3/8	5/8	1/8	13/16	2 7/8	8 1/2	9/16	9.19
	2 3/16	KFC4452-316◆●□Δ									3 1/8			8.89
	2 1/4	KFC4452-14◆●□Δ									8.79			
212	2 1/4	KFC4452-14L◆●□Δ	5 5/8	2 11/16	5 1/2	2 9/16	6 7/8	5/8	1/8	13/16	3 1/8	9 1/4	27/32	10.32
	2 3/8	KFC4452-38◆●□Δ									3 3/8			10.08
	2 7/16	KFC4452-716◆●□Δ									9.96			
215	2 15/16	KFC4452-1516◆●□Δ	6	3 3/16	6 1/2	3 1/16	7 3/4	3/4	1/8	1	3 15/16	10 1/4	7/8	11.00

Additional Notes

- Please call 1-866-REXNORD for availability
- Lubrication fitting tap size, 1/8 in PT
- Lip seals standard
- ◆ Available with E1 viton seals for size codes 212 and smaller
- ◆ Available with TFF viton seals for size codes above 212
- Available with free running style seals, add suffix ● FF, □ HFF or Δ MHFF for size codes 212 and smaller
- Add suffix ● FF, □ SFF or Δ MKFF for size codes above 212

For the Selection Guide, Load Ratings and Speed Limits, see the Krown Regal Ball Bearing Engineering section

Note: Dimensions subject to change. Certified dimensions of ordered material furnished on request.

KFC455 (Scheduled to be discontinued in 2013)

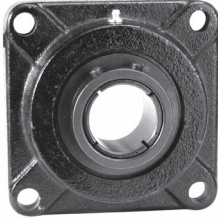
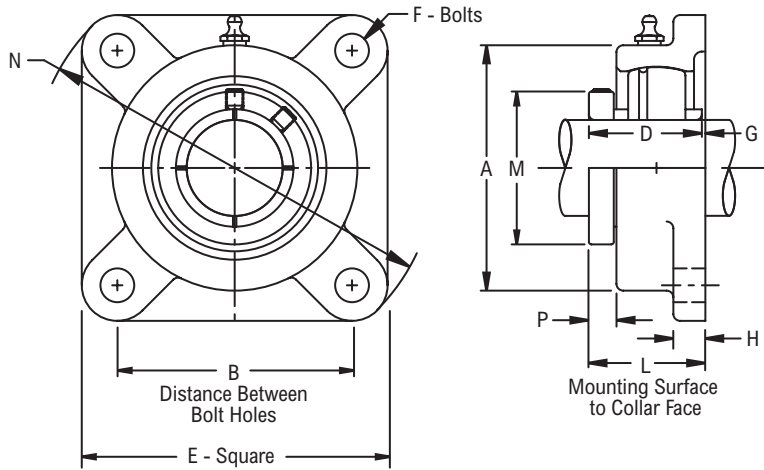


Photo Shows a 4-Bolt Ball Bearing Flanged Unit

Product Features

- Corrosion-resistant powder coating
- Cast iron housing
- Broad range of sealing options
- Wide inner ring for increased shaft stability
- Centrik-Lok shaft locking device
- Alignable & relubricatable
- See Features & Benefits for additional info.



Bearing Dimensions

Size Code	Shaft Diameter	Part Number	B Distance Between Bolt Holes	L Mounting Surface to Collar Face	A	D	E	F	G	H	M	N	P	Approx. Weight
206	1	KFC4551◆●□Δ	3 1/4	1 9/16	3 1/4	1 1/2	4 1/4	7/16	1/16	17/32	1 13/16	5 19/32	7/16	3.15
207	1 3/16	KFC4551-316◆●□Δ	3 5/8	1 3/4	3 3/4	1 11/16	4 5/8	1/2	1/16	9/16	2	6 1/8	15/32	3.50
208	1 7/16	KFC4551-716◆●□Δ	4	2 1/64	4 1/8	1 15/16	5 1/4	1/2	5/64	9/16	2 1/4	6 25/32	33/64	4.87
209	1 1/2	KFC4551-12◆●□Δ	4 1/8	2 3/64	4 3/8	1 15/16	5 3/8	9/16	7/64	9/16	2 1/2	7 3/32	31/64	5.17
210	1 11/16	KFC4551-1116◆●□Δ	4 3/8	2 5/32	4 9/16	2 1/32	5 5/8	9/16	1/8	9/16	2 3/4	7 7/16	19/32	5.80
	1 3/4	KFC4551-34◆●□Δ												
211	1 15/16	KFC4551-1516◆●□Δ	5 1/8	2 5/16	5 1/4	2 3/16	6 3/8	5/8	1/8	13/16	2 7/8	8 1/2	9/16	9.35
212	2 3/16	KFC4552-316◆●□Δ	5 5/8	2 11/16	5 1/2	2 9/16	6 7/8	5/8	1/8	13/16	3 1/8	9 1/4	27/32	10.41
214	2 7/16	KFC4552-716◆●□Δ◆	5 7/8	3	6 1/8	2 3/4	7 3/8	5/8	1/4	13/16	3 3/4	9 13/16	27/32	14.62
	2 1/2	KFC4552-12◆●□Δ◆												
215	2 11/16	KFC4552-1116◆●□Δ◆	6	3 3/16	6 1/2	3 1/16	7 3/4	3/4	1/8	1	3 15/16	10 1/4	7/8	17.04
216	2 15/16	KFC4552-1516◆●□Δ◆	6	3 1/2	6 3/4	3 1/4	7 3/4	3/4	1/4	1	4 3/16	10 1/4	1 1/32	18.73
	3	KFC4553◆●□Δ◆												
218	3 3/16	KFC4553-316◆●□Δ◆	6 3/4	3 31/32	7 3/4	3 25/32	8 3/4	3/4	3/16	1	4 13/16	11 1/4	1 7/32	26.25
	3 7/16	KFC4553-716◆●□Δ◆												25.36
	3 1/2	KFC4553-12◆●□Δ◆												25.20

Additional Notes

- Please call 1-866-REXNORD for availability
- Lubrication fitting tap size, 1/8 in PT
- Lip seals standard
- ◆ Available with E1 viton seals for size codes 212 and smaller
- ◆ Available with TFF viton seals for size codes above 212
- Available with free running style seals, Add suffix ● FF, □ HFF or Δ MHFF for size codes 212 and smaller
- Add suffix ● FF, □ SFF or Δ MKFF for size codes above 212

For the Selection Guide, Load Ratings and Speed Limits, see the Krown Regal Ball Bearing Engineering section

Note: Dimensions subject to change. Certified dimensions of ordered material furnished on request.

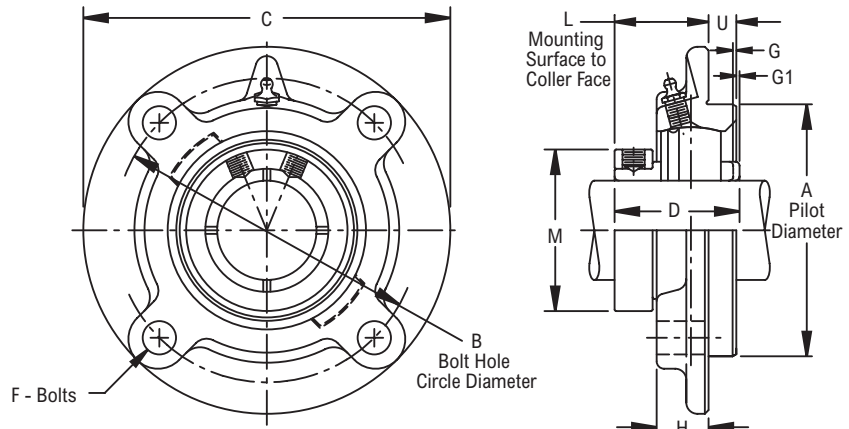
PFC445 (Scheduled to be discontinued in 2013)



Photo Shows a 4-Bolt Ball Bearing Flanged Cartridge Unit

Product Features

- Corrosion-resistant powder coating
- Cast iron housing
- Broad range of sealing options
- Wide inner ring for increased shaft stability
- Centrik-Lok shaft locking device
- Alignable & relubricatable
- See Features & Benefits for additional info.



Bearing Dimensions

Size Code	Shaft Diameter	Part Number	A Pilot Diameter	B Bolt Hole Circle Diameter	L Mounting Surface to Collar Face	C	D	F	G & G1	H	M	U	Approx. Weight
207	1 1/4	PFC4451-14◆●□△	3.375	4 1/8	1 23/32	5	1 11/16	7/16	1/32	7/8	2	3/8	3.51
	1 3/8	PFC4451-38◆●□△									2 1/4		3.41
	1 7/16	PFC4451-716◆●□△									2 1/4		3.35
208	1 1/2	PFC4451-12◆●□△	3.625	4 3/8	1 35/64	5 1/4	1 15/16	7/16	1/64	7/8	2 1/2	7/16	4.04
	1 5/8	PFC4451-58◆●□△									2 1/2		3.90
	40.00	PFC445-40◆●□△									92.080		111.12
209	1 5/8	PFC4451-58L◆●□△	3.625	4 3/8	1 17/32	5 1/4	1 15/16	7/16	1/32	7/8	2 1/2	7/16	4.26
	1 11/16	PFC4451-1116◆●□△									2 11/16		4.16
	1 3/4	PFC4451-34◆●□△									2 11/16		4.09
210	1 7/8	PFC4451-78◆●□△	4.250	5 1/8	1 39/64	6 1/8	2 1/32	1/2	1/64	7/8	2 7/8	15/32	5.53
	1 15/16	PFC4451-1516◆●□△											5.44
	2	PFC4452◆●□△											5.35
211	2	PFC4452L◆●□△	4.500	5 3/8	1 37/64	6 3/8	2 3/16	1/2	3/64	7/8	2 7/8	5/8	6.50
	2 3/16	PFC4452-316◆●□△									3 1/8		6.06
	2 1/4	PFC4452-14◆●□△									3 1/8		5.96
212	2 1/4	PFC4452-14L◆●□△	5.000	6	1 29/32	7 1/8	2 9/16	9/16	5/32	1	3 1/8	7/8	9.08
	2 3/8	PFC4452-38◆●□△									3 3/8		8.84
	2 7/16	PFC4452-716◆●□△									3 3/8		8.72
215	2 15/16	PFC4452-1516◆●□△	6.375	7 1/2	2	8 3/4	3 1/16	5/8	1/8	1	3 15/16	1	14.78

Additional Notes

- Please call 1-866-REXNORD for availability
- Lubrication fitting tap size, 1/8 in PT
- Pilot Diameter tolerance, +.000 in/-0.002 in (+0.00 mm/-0.05 mm)
- Bore tolerance for mounting, +.002 in/-0.000 in (+0.05 mm/-0.00 mm)
- For size codes 207 & 212 use the G Dimension; for all other size codes use G1
- Lip seals standard
- ◆ Available with E1 viton seals for size codes 212 and smaller
- ◆ Available with TFF viton seals for size codes above 212

- Available with free running style seals, Add suffix ● FF, □ HFF or △ MHFF for size codes 212 and smaller
- Add suffix ● FF, □ SFF or △ MKFF for size codes above 212
- For the Selection Guide, Load Ratings and Speed Limits, see the Krown Regal Ball Bearing Engineering section
- Note: Dimensions subject to change. Certified dimensions of ordered material furnished on request.

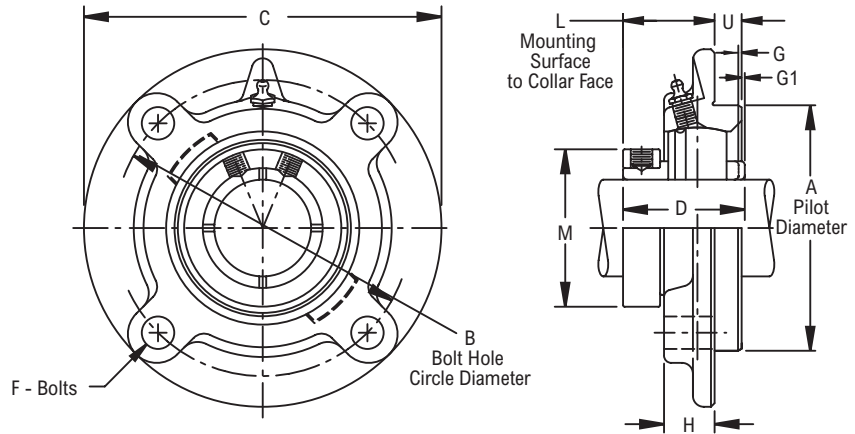
PFC455 (Scheduled to be discontinued in 2013)



Photo Shows a 4-Bolt Ball Bearing Flanged Cartridge Unit

Product Features

- Corrosion-resistant powder coating
- Cast iron housing
- Broad range of sealing options
- Wide inner ring for increased shaft stability
- Centrik-Lok shaft locking device
- Alignable & relubricatable
- See Features & Benefits for additional info.



Bearing Dimensions

Size Code	Shaft Diameter	Part Number	A Pilot Diameter	B Bolt Hole Circle Diameter	L Mounting Surface to Collar Face	C	D	F	G & G1	H	M	U	Approx. Weight
207	1 3/16	PFC4551-316◆●□Δ	3.375	4 1/8	1 23/32	5	1 11/16	7/16	1/32	7/8	2	3/8	3.71
208	1 7/16	PFC4551-716◆●□Δ	3.625	4 3/8	1 35/64	5 1/4	1 15/16	7/16	1/64	7/8	2 1/4	7/16	3.97
209	1 1/2	PFC4551-12◆●□Δ	3.625	4 3/8	1 17/32	5 1/4	1 15/16	7/16	1/32	7/8	2 1/2	7/16	4.75
210	1 11/16	PFC4551-1116◆●□Δ	4.250	5 1/8	1 39/64	6 1/8	2 1/32	1/2	1/64	7/8	2 3/4	15/32	5.60
	1 3/4	PFC4551-34◆●□Δ											
211	1 15/16	PFC4551-1516◆●□Δ	4.500	5 3/8	1 37/64	6 3/8	2 3/16	1/2	3/64	7/8	2 7/8	5/8	6.27
	2	PFC4552◆●□Δ											
212	2 3/16	PFC4552-316◆●□Δ	5.000	5	1 29/32	7 1/8	2 9/16	9/16	5/32	1	3 1/8	1	8.99
214	2 7/16	PFC4552-716◆●□Δ◆	5.500	6 1/2	1 31/32	7 5/8	2 3/4	9/16	5/32	1	3 3/4	1	11.48
	2 1/2	PFC4552-12◆●□Δ◆											
215	2 11/16	PFC4552-1116◆●□Δ◆	6.375	7 1/2	2	8 3/4	3 1/16	5/8	1/8	1	3 15/16	1	15.44
216	2 15/16	PFC4552-1516◆●□Δ◆	6.375	7 1/2	2 1/8	8 3/4	3 1/4	5/8	1/16	1 1/8	4 3/16	1	15.80
	3	PFC4553◆●□Δ◆											
218	3 3/16	PFC4553-316◆●□Δ◆	7.375	8 5/8	2 29/64	10 1/4	3 25/32	3/4	17/64	1 1/8	4 13/16	1 1/8	23.50
	3 7/16	PFC4553-716◆●□Δ◆											
	3 1/2	PFC4553-12◆●□Δ◆											

Additional Notes

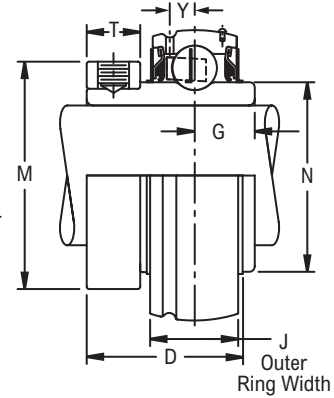
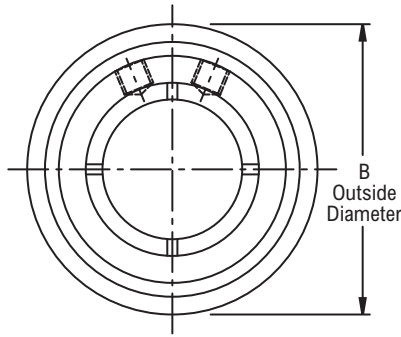
- Please call 1-866-REXNORD for availability
- Lubrication fitting tap size, 1/8 in PT
- Pilot Diameter tolerance, +.000 in/- .002 in (+0.00 mm/-0.05 mm)
- Bore tolerance for mounting, +.002 in/- .000 in (+0.05 mm/-0.00 mm)
- For size codes 207 & 212 use the G Dimension; for all other size codes use G1
- Lip seals standard
- ◆ Available with E1 viton seals for size codes 212 and smaller

- ◆ Available with TFF viton seals for size codes above 212
- Available with free running style seals, Add suffix ● FF, □ HFF or Δ MHFF for size codes 212 and smaller
- Add suffix ● FF, □ SFF or Δ MKFF for size codes above 212
- For the Selection Guide, Load Ratings and Speed Limits, see the Krown Regal Ball Bearing Engineering section
- Note: Dimensions subject to change. Certified dimensions of ordered material furnished on request.

KMB45 (Scheduled to be discontinued in 2013)



Photo Shows an Unmounted Ball Bearing Unit



Product Features

- Broad range of sealing options
- Wide inner ring for increased shaft stability
- Centrik-Lok shaft locking device
- Sealed & relubricatable
- Spherical O.D.
- See Features & Benefits for additional info.

Bearing Dimensions

Size Code	Shaft Diameter	Part Number	B O.D.	J Outer Ring Width	D	G	M	N	T		Y	Approx. Weight
									Tap Size	Width		
203	1/2	KMB45-12-PA♦♦ □Δ	1.5748	0.5118	1 3/32	0.4530	1 1/8	0.941	10-32 in	9/32	0.158	0.39
	5/8	KMB45-58-PA♦♦ □Δ					1 13/64					0.35
	11/16	KMB45-1116-PA♦♦ □Δ										0.33
204	3/4	KMB45-34-PA♦♦ □Δ	1.8504	0.5906	1 7/32	0.5000	1 3/8	1.121	1/4-28	11/32	0.176	0.43
	20.00	KMB45-20-PA♦♦ □Δ	47.0000	15.0000	30.96	12.7000	34.90	28.470	M6X1	8.70	4.470	0.20
205	7/8	KMB45-78-PA♦♦ □Δ	2.0472	0.5906	1 5/16	0.5620	1 9/16	1.313	1/4-28	11/32	0.176	0.55
	15/16	KMB45-1516-PA♦♦ □Δ										0.52
	1	KMB451-PA♦♦ □Δ										0.49
	25.00	KMB45-25-PA♦♦ □Δ	52.0000	15.0000	33.32	14.2700	39.70	33.350	M6X1	8.70	4.470	0.20
206	1 1/8	KMB451-18-PA♦♦ □Δ	2.4409	0.7087	1 1/2	0.6250	1 13/16	1.587	1/4-28	7/16	0.202	0.87
	1 3/16	KMB451-316-PA♦♦ □Δ					2					0.84
	1 1/4	KMB451-14S-PA♦♦ □Δ										0.82
207	1 1/4	KMB451-14-PA♦♦ □Δ	2.8346	0.7480	1 11/16	0.6880	2	1.847	5/16-24	7/16	0.227	1.35
	1 3/8	KMB451-38-PA♦♦ □Δ					2 1/4					1.30
	1 7/16	KMB451-716-PA♦♦ □Δ										1.24
208	1 1/2	KMB451-12-PA♦♦ □Δ	3.1496	0.8661	1 15/16	0.7500	2 1/2	2.083	5/16-24	7/16	0.263	1.68
	1 5/8	KMB451-58-PA♦♦ □Δ										1.61
	40.00	KMB45-40-PA♦♦ □Δ					80.0000					22.0000
209	1 5/8	KMB451-58L-PA♦♦ □Δ	3.3465	0.8661	1 15/16	0.7500	2 1/2	2.281	5/16-24	7/16	0.256	1.93
	1 11/16	KMB451-1116-PA♦♦ □Δ					2 11/16					1.90
	1 3/4	KMB451-34-PA♦♦ □Δ										1.86
210	1 7/8	KMB451-78-PA♦♦ □Δ	3.5433	0.8661	2 1/32	0.7500	2 7/8	2.475	3/8-24	9/16	0.256	2.13
	1 15/16	KMB451-1516-PA♦♦ □Δ										2.04
	2	KMB452-PA♦♦ □Δ										1.95
211	2	KMB452L-PA♦♦ □Δ	3.9370	0.9843	2 3/16	0.8750	2 7/8	2.749	3/8-24	9/16	0.298	2.58
	2 3/16	KMB452-316-PA♦♦ □Δ					3 1/8					2.46
	2 1/4	KMB452-14-PA♦♦ □Δ										2.36
212	2 1/4	KMB452-14L-PA♦♦ □Δ	4.3307	1.0630	2 9/16	1.0000	3 1/8	3.012	3/8-24	9/16	0.330	3.41
	2 3/8	KMB452-38-PA♦♦ □Δ					3 3/8					3.32
	2 7/16	KMB452-716-PA♦♦ □Δ										3.29
215	2 15/16	KMB452-1516-PA♦♦ □Δ	5.1181	1.1835	3 1/16	1.3120	3 15/16	3.632	3/8-24	9/16	0.266	5.44

Additional Notes

- Please call 1-866-REXNORD for availability
- Bearing O.D. tolerance for size code 203 through 208, +.0000 in/-.0005 in (+0.000 mm/-0.013 mm) for all other size codes, +.0000 in/-.0006 in (+0.000 mm/-0.015 mm)
- Lip seals standard
- ♦ Available with E1 viton seals for size codes 212 and smaller
 - ♦ Available with TFF viton seals for size codes above 212
- Available with free running style seals, Add suffix ● FF, □ HFF or Δ MHFF for size codes 212 and smaller

- Add suffix ● FF, □ SFF or Δ MKFF for size codes above 212
- For the Selection Guide, Load Ratings and Speed Limits, see the Krown Regal Ball Bearing Engineering section
- Note: Dimensions subject to change. Certified dimensions of ordered material furnished on request.

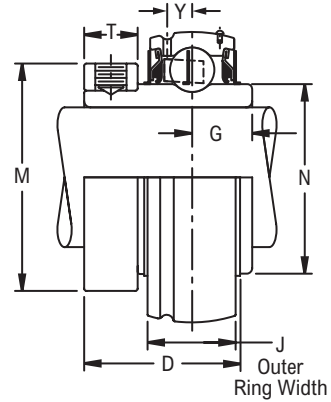
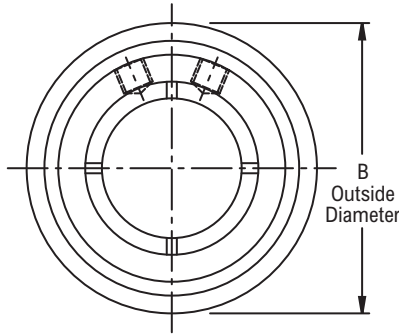
KMB55 (Scheduled to be discontinued in 2013)



Photo Shows an Unmounted Ball Bearing Unit

Product Features

- Broad range of sealing options
- Wide inner ring for increased shaft stability
- Centrik-Lok shaft locking device
- Sealed & relubricatable
- Spherical O.D.
- See Features & Benefits for additional info.



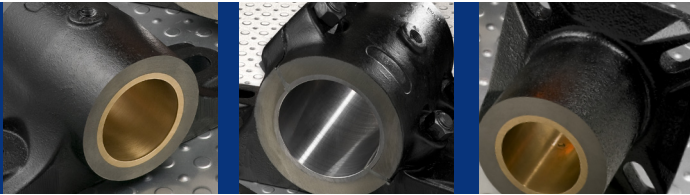
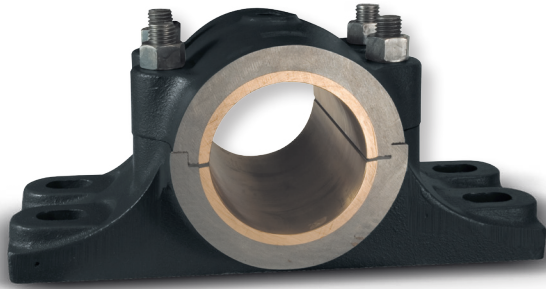
Bearing Dimensions

Size Code	Shaft Diameter	Part Number	B O.D.	J Outer Ring Width	D	G	M	N	T		Y	Approx. Weight
									Tap Size	Width		
206	1	KMB551-PA◆●□Δ	2.4409	0.7087	1 1/2	0.6250	1 13/16	1.587	1/4-28	7/16	0.202	0.92
207	1 3/16	KMB551-316-PA◆●□Δ	2.8346	0.7480	1 11/16	0.6880	2	1.847	5/16-24	7/16	0.227	1.30
208	1 7/16	KMB551-716-PA◆●□Δ	3.1496	0.8661	1 15/16	0.7500	2 1/4	2.083	5/16-24	7/16	0.263	1.61
209	1 1/2	KMB551-12-PA◆●□Δ	3.3465	0.8661	1 15/16	0.7500	2 1/2	2.281	5/16-24	7/16	0.256	1.93
210	1 11/16	KMB551-1116-PA◆●□Δ	3.5433	0.8661	2 1/32	0.7500	2 3/4	2.475	3/8-24	9/16	0.256	2.25
	1 3/4	KMB551-34-PA◆●□Δ										
211	1 15/16	KMB551-1516-PA◆●□Δ	3.9370	0.9843	2 3/16	0.8750	2 7/8	2.749	3/8-24	9/16	0.298	2.55
	2	KMB552-PA◆●□Δ										
212	2 3/16	KMB552-316-PA◆●□Δ	4.3307	1.0630	2 9/16	1.0000	3 1/8	3.012	3/8-24	9/16	0.330	3.44
214	2 7/16	KMB552-716-PA◆●□Δ◆	4.9213	1.1545	2 3/4	1.0620	3 3/4	3.433	3/8-24	9/16	0.266	5.34
	2 1/2	KMB552-12-PA◆●□Δ◆										
215	2 11/16	KMB552-1116-PA◆●□Δ◆	5.1181	1.1835	3 1/16	1.3120	3 15/16	3.632	3/8-24	9/16	0.266	5.86
216	2 15/16	KMB552-1516-PA◆●□Δ◆	5.5118	1.2575	3 1/4	1.3120	4 3/16	3.920	3/8-24	9/16	0.282	6.50
	3	KMB553-PA◆●□Δ◆										
218	3 3/16	KMB553-316-PA◆●□Δ◆	6.2992	1.3945	3 25/32	1.5620	4 13/16	4.396	3/8-24	9/16	0.313	10.21
	3 7/16	KMB553-716-PA◆●□Δ◆										
	3 1/2	KMB553-12-PA◆●□Δ◆										

Additional Notes

- Please call 1-866-REXNORD for availability
- Bearing O.D. tolerance for size code 206 through 208, +.0000 in/- .0005 in (**+0.000 mml/-0.013 mm**); for size code 209 thru 215, +.0000 in/- .0006 in (**+0.000 mml/-0.015 mm**); for all other size codes, +.0000 in/- .0008 in (**+0.000 mml/-0.020 mm**)
- Lip seals standard
- ◆ Available with E1 viton seals for size codes 212 and smaller
 - ◆ Available with TFF viton seals for size codes above 212

- Available with free running style seals, add suffix ● FF, □ HFF or Δ MHFF for size codes 212 and smaller
- Add suffix ● FF, □ SFF or Δ MKFF for size codes above 212
- For the Selection Guide, Load Ratings and Speed Limits, see the Krown Regal Ball Bearing Engineering section
- Note: Dimensions subject to change. Certified dimensions of ordered material furnished on request.



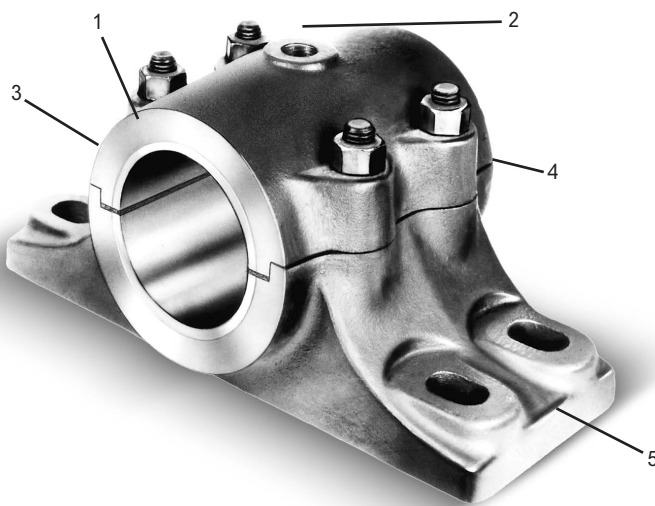
Industries Served

Waste Water Management
Industrial Furnace Applications
Dams
Highway Infrastructure
Forest Products
Air Handling

Rigid Sleeve Bearing Units and Take-ups

Rigid sleeve bearing units provide compact and reliable usage in applications where continuous operation and uninterrupted service are required. Because the bearing material wears gradually, sudden breakdowns and costly maintenance are minimized. Sleeve bearings can also operate extremely quietly. The standard bearing materials of babbitt, bronze and cast iron will handle a wide variety of applications such as on log decks, sewage treatment equipment, furnaces and ovens, quiet operating fans and blowers, power plant dampers and stokers, oscillating shaft applications and other general conveying and power transmission machinery. Babbitt bearings are used for moderate speeds and loads and ambient temperatures up to 130°F (54°C). Babbitt has the ability to give excellent service with a minimum of maintenance.

Bronze bearings are recommended for heavier loads, impact, and temperatures beyond the limits of babbitt bearings. They can be operated at ambient temperatures up to 300°F (149°C) providing satisfactory lubrication is available. Bronze has excellent all-around bearing characteristics; it has a relatively low coefficient of friction and a remarkable resistance to shock and wear.



1. Secure Mounting

Bearing of babbitt or bronze is securely anchored in housing.

2. Lubrication

Housing is drilled and tapped for grease cup or lubrication fitting; grooves distribute lubricant over loaded area.

3. Finished Ends

Finished ends permit flush mounting of pulley, sprocket, or collar against bearing when required.

4. Two-piece Pillow Block

Two-piece pillow block has shims to provide for adjustment and compensate for wear.

5. Finished Mounting Surface

Mounting surface is finished to provide firm seating on flat support.

One-piece Pillow Blocks

One-piece pillow blocks are recommended for general applications where it is unnecessary to remove a bearing cap. They are available with babbitt, bronze or plain bore cast iron bearings.



Two-piece Pillow Blocks

Two-piece pillow blocks are used whenever a bearing with a removable cap is required. They are available with babbitt or bronze bearings.

For heavy side pressures or angular loading, housings with gibbed joints provide greater strength. Cast steel housings are used where sudden shocks or heavy impact loads are encountered.



Flanged Units

Flanged units with square flanges have slotted mounting holes to make them interchangeable with most common ball and roller bearing bolting patterns. These units have either babbitt or bronze bearings.



Nomenclature

Symbol	Description	2K	15	95	F	Z-
None	One-piece housing, cast iron	-----	-----	-----	-----	-----
2—	Two-piece housing, cast iron					
2K	Two-piece housing, cast steel					
10	Pillow block, one-piece, 2-bolt base	-----	-----	-----	-----	-----
11	Pillow block, plain iron (no sleeve)					
12	Pillow block, angle type split joint, 2-bolt base					
13	Pillow block, angle type split joint, 4-bolt base					
14	Pillow block, horizontal gibbed joint, 4-bolt base					
15	Pillow block, angle type split joint, 40° off horizontal					
F22	Flanged unit, square, 4-bolt	-----	-----	-----	-----	-----
DS28	Take-up, conveyor, heavy rigid frame					
DSB28	Take-up, conveyor, heavy hinged frame	-----	-----	-----	-----	-----
95	Shaft diameter in 16ths of an inch					
F	4-bolt base (units 1000, 1100 only)	-----	-----	-----	-----	-----
None	Babbitt bearing (except units 1100)					
Z	Bronze bearing	-----	-----	-----	-----	-----
XX	Take-up adjustment, inches					

Rigid Sleeve Bearing Units Selection Guide

To select a rigid sleeve bearing, determine the applied radial load and the applicable operating conditions. The procedure shown here will aid in selecting an appropriate bearing.

The selection procedures and rating formulas used here are in agreement with industry standards for sleeve bearings established by the Mechanical Power Transmission Association. The bearing ratings apply when certain installation and operating conditions are met and when any other adverse ambient conditions such as high or low temperatures, extreme dirt or moisture, chemical contamination, shock or vibration loading direct or induced, oscillating shafts, intermittent operation and related factors are carefully considered.

The ratings used apply when the following conditions are met:

1. Align bearings with the shaft to provide uniform load distribution.
2. Normal running loads should not exceed the ratings shown in the tables. Starting and occasional peak loads should not exceed these ratings by more than 100%.
3. The direction of the load should not be within 30° (.53 radians) of either side of the grease groove and must further meet any load direction limitations imposed by Table 1.
4. The shaft finish through the bearing bore should be at least as smooth as that of normal commercial cold finished steel shafting (about 32 micro-inches or .82µm). There should also be no machined or ground spiral lead on the shaft journal. Shafting should be within the diameter tolerances listed on the next page.
5. Ambient temperatures should not exceed 130°F (54°C) for babbitt and 300°F (149°C) for bronze bearings. This temperature limit applies to shafts extending from ovens, high temperature fans, etc.
6. Sturdy, vibration-free supporting structures must be provided, along with adequate grease lubrication.

Steps for Selection

Step 1

From Table 1, select the bearing material and housing series and material suitable for the radial load direction.

Step 2

Refer to the radial load rating tables in the Load Ratings and Speed Limits section to determine the shaft diameter necessary to obtain the required radial rating at the given speed.

If the conditions described above cannot be met, the load should be increased by a service factor prior to selecting the bearing sizes from the tables shown in the Load Ratings and Speed Limits section. The service factor may be as high as 2.0 for conditions to the left of the "stair-step" line, or as high as 3.0 for conditions to the right of the line. Consult Rexnord Bearing Division.

Step 3

To position a shaft axially or where light thrust loads are present provide thick bronze washers backed by a shaft collar or a machined shaft shoulder against the end of the bearing. The bearing ends are already machined.

Table 1 – Bearing material and unit type selection

Material		Recommended Loading Range, Degrees, Radius For Pillow Block Or Flanged Unit*	Available Shaft Sizes, inches	Rigid unit series				
Bearing	Housing			Pillow Block		Flanged Unit		
				2-bolt	4-bolt	Square		
Cast iron one-piece		300° 5.2 rad	1/2 - 2 15/16	1000				
			3/4 - 3 15/16			F2200		
			3 7/16 - 3 15/16		1000F			
	Babbitt		120° 2.1 rad	7/8 - 3 15/16	2-1200			
				3 7/16 - 4 15/16		2-1300		
				1 15/16 - 8		2-1400		
Cast iron two-piece		300° 5.2 rad	1 15/16 - 8		2-1400			
			120° 2.1 rad	1 15/16 - 9		2-1500		
Cast iron one-piece		300° 5.2 rad	1/2 - 2 15/16	1000Z				
			3/4 - 3 15/16			F2200Z		
			3 7/16 - 3 15/16		1000FZ			
	Bronze		120° 2.1 rad	7/8 - 3 15/16	2-1200Z			
				300° 5.2 rad	1 15/16 - 8		2-1400Z	
					120° 2.1 rad	1 15/16 - 8		2-1500Z
Cast steel two-piece		300° 5.2 rad	1 15/16 - 12			2K1400Z		

* Shaded portion of drawings represents recommended loading range with the grease groove horizontal and opposite the loaded area. For other positioning, consult Rexnord Bearing Division.

□ 300°(5.2 rad.) for housings with gibbed joint construction.

Additional Information

Sleeve Bearing Materials:

Plain bearings made of babbitt are universally accepted as providing reasonable capacity and dependable service, often under adverse conditions. Babbitt is a relatively soft bearing material and for this reason minimizes danger of scoring or damage to shafts or rotors. It can often be repaired quickly on the spot by rescraping, pouring of new metal, etc. Bearing operating temperature should not exceed 130°F (54°C) although occasional peaks to 200°F (93°C) may be tolerated. Babbitt bearings are usually restricted to applications involving light to moderate loads and mild shock.

Bronze bearings are suitable for heavier loads than babbitt (75% to 200% higher), depending upon specific conditions of load and speed. Bronze with stands higher shock loads and permits some what higher speed operation. It is usually restricted to 300°F (150°C) ambient temperature, although normal multi-purpose greases are limited to 200°-250°F (93°-121°C) operating temperature. Bronze is a harder material than babbitt and has a greater tendency to score or damage shafts in the event of malfunction such as lack of relubrication. Field repair of bronze bearings generally requires removing shims and scraping or replacement of bushings.

Cast iron bearings (series 1100) are low in cost and suitable for many slow moving shafts and oscillating or reciprocating arms supporting relatively light loads. The lubricating characteristics of cast iron are attributed to the free graphite flakes present in the material. With the use of cast iron bearings, higher shaft clearance is usually utilized. Thus any large wear particles or debris will not join or seize the bearing. This material has been used to temperatures as high as 1000°F (538°C) under light loads and slow speed intermittent operations, where ordinary lubricants are ineffective.

Additional Features:

By the very nature of their design, all rigid sleeve bearing units are expansion type, in that the shaft journal is free to slide axially through the bore of the bearing. To fix a unit, a combination of shaft shoulders and/or thrust collars with bronze washers can be utilized. Rigid sleeve bearing units have cored mounting bolt holes suitable for the inch or metric bolts listed.

Bearings can be replaced in units with bronze sleeves. Care should be taken when replacing bronze sleeves, split or solid, to firmly anchor the sleeve to the housing.

Operation:

Rigid sleeve bearing units are not prelubricated. The service instructions packed with shipments provide guide lines for initial lubrication and relubrication intervals. As lack of lubrication results in bearing and shaft wear, care must be taken to assure an adequate supply of correct lubricant, especially during initial startup and until satisfactory relubrication intervals are determined. Very careful shaft alignment is necessary during installation. Shaft journals must turn freely without binding in the bearing or excessive heat and seizure can result. Any factor which may disrupt or remove the lubricant film should be eliminated as well. Sharp edges on the shaft or the bearing surface can act as scrapers to destroy lubricant films. Do not extend shaft keyways into bearing bores. When rigid sleeve bearings must carry light to medium thrust loads, thrust washers of bronze should be placed against the already machined face of the bearing and backed by substantial thrust collars, shaft shoulders, machined gear, sprocket or sheave faces, etc.

Take-ups:

Rigid sleeve bearing pillow blocks can be mounted on the universal take-up frame LC, and LHD universal take-up frame. Alignment of rigid sleeve bearing take-ups is difficult and must be carefully accomplished. Alignment must also be maintained during any further adjustment of the take-up after operation. Bolt take-up frames firmly to good supporting structure to prevent frame overload and distortion.

Shaft Tolerances:

Shaft diameters for rigid sleeve bearing units are usually held to the following regular commercial tolerances:

Shaft Diameters	Recommended Tolerance
through 2"	Nominal to -.003"
2 1/16" through 4"	Nominal to -.004"
4 1/16" through 6"	Nominal to -.005"
6 1/16" through 13"	Nominal to -.006"

Warning:

The reliability built in all Link-Belt bearings can be realized in service only when bearings are correctly selected, properly installed, protected and maintained.

The correct selection of rigid sleeve bearing mounted units requires that the magnitude and nature of all loads, speeds, alignment, mounting, operating requirements and maintenance be adequately considered. The selection of materials for and design of housings, shafting, fasteners, and accessories as well as provisions for installation and maintenance must follow good engineering principles.

Housings must be selected and installed with regard to the degree and direction of the forces that will occur. Housings should not be used under tension loads except with adequate safety factors. For this reason pillow blocks are best suited to withstand radial loads passing through the base. When heavy loads or shock loads are possible, it is most important to mount a unit so that the line of force passes directly into the base, or so that the unit is directly and substantially supported other than through its mounting bolts.

Where the line of force falls outside the base, serious housing and fastener deflection or failure may occur.

Take-ups are best located where loads are moderate and no shock loads are present. As many mounting arrangements are possible with take-ups, proper safety factors must always be considered on all items of the system, including shafts, housings, fasteners, and adjusting screws. Rexnord Bearing Division, should be consulted where unusual loading conditions exist.

Load Ratings – Babbitt Rigid Sleeve Bearing Units

Radial Load Ratings for 10 to 300 RPM (pounds/newtons) * ■

Shaft Diameter, inches	Shaft Speed, RPM													
	10		50		100		150		200		250		300	
1/2	100	445	100	445	100	445	95	423	95	423	95	423	95	423
5/8	150	667	150	667	145	645	145	645	140	623	140	673	135	600
3/4	180	801	175	778	175	778	170	756	170	756	165	734	160	712
7/8	260	1 157	255	1 134	250	1 112	245	1 090	240	1 068	235	1 045	230	1 023
15/16	280	1 246	275	1 223	265	1 179	260	1 157	255	1 134	250	1 112	245	1 090
1	295	1 312	290	1 290	285	1 268	280	1 246	270	1 201	265	1 179	260	1 157
1 1/8	415	1 846	410	1 824	400	1 779	390	1 735	380	1 690	370	1 646	355	1 579
1 3/16, 1 1/4	440	1 957	430	1 913	420	1 868	410	1 824	395	1 757	385	1 713	375	1 668
1 5/16, 1 3/8,	585	2 602	570	2 535	555	2 469	535	2 380	520	2 313	505	2 246	485	2 157
1 7/16, 1 1/2	640	2 847	625	2 780	605	2 691	585	2 602	565	2 513	545	2 424	525	2 335
1 11/16, 1 3/4	875	3 892	850	3 781	820	3 648	785	3 492	755	3 358	720	3 203	690	3 069
1 15/16, 2	1150	5 120	1110	4 940	1060	4 720	1010	4 490	965	4 292	915	4 070	865	3 848
2 3/16, 2 1/4	1460	6 490	1400	6 230	1330	5 920	1260	5 600	1190	5 290	1120	4 980	1050	4 670
2 7/16, 2 1/2	1800	8 010	1730	7 690	1630	7 250	1530	6 810	1430	6 360	1340	5 960	1240	5 520
2 11/16, 2 3/4	2190	9 740	2080	9 250	1950	8 670	1820	8 100	1690	7 520	1560	6 940	1150	5 120
2 15/16, 3	2600	11 570	2470	10 990	2300	10 230	2130	9 470	1960	8 720	1790	7 960	675	3 002
3 7/16, 3 1/2	3550	15 790	3330	14 810	3060	13 610	2790	12 410	2520	11 210	1200	5 340		
3 15/16, 4	4640	20 640	4310	19 170	3910	17 390	3500	15 570	2760	12 280				
4 7/8, 4 1/2	5870	26 110	5410	24 060	4830	21 480	4250	18 900	1410	6 270				
4 15/16, 5	7240	32 210	6600	29 360	5810	25 840	5010	22 290						
5 7/16, 5 1/2	8750	38 920	7900	35 140	6840	30 430	4360	19 390						
5 15/16, 6	10410	46 310	9300	41 370	7910	35 190	2390	10 630						
6 7/16, 6 1/2	12200	54 270	10790	48 000	9020	40 120								
6 15/16, 7	14120	62 810	12360	54 980	10150	45 150								
7 7/16, 7 1/2	17270	76 820	14950	66 500	12050	53 600								
7 15/16, 8	18390	81 800	15750	70 060	10710	47 640								
9	20750	92 300	17360	77 220	4140	18 420								
10	22950	102 090	18760	83 450										
12	30700	136 560	23910	106 360										

For speeds lower than 10 RPM consult Rexnord Bearing Division.

Radial Load Rating for 350 to 1000 RPM (pounds/newtons) *

Shaft Diameter, inches	Shaft Speed, RPM																	
	350		400		450		500		600		700		800		900		1000	
1/2	95	423	90	400	90	400	90	400	85	378	85	378	85	378	80	356	80	356
5/8	135	600	135	600	130	587	130	587	125	556	120	534	115	512	110	489	110	489
3/4	160	712	155	689	155	689	150	667	145	645	140	623	130	578	125	556	120	534
7/8	225	1001	220	979	215	956	210	934	200	890	190	845	180	801	150	667		
15/16	240	1068	235	1045	225	1001	220	979	210	934	200	890	185	823	105	467		
1	250	1112	245	1090	240	1068	230	1023	220	979	205	912						
1 1/8	345	1535	335	1490	325	1446	315	1401	295	1312	245	1090						
1 3/16, 1 1/4	360	1601	350	1557	340	1512	325	1446	305	1357	190	845						
1 5/16, 1 3/8,	470	2091	455	2024	435	1935	420	1868	345	1535								
1 7/16, 1 1/2	500	2224	480	2135	460	2046	440	1957	205	912								
1 11/16, 1 3/4	655	2914	625	2780	590	2624	340	1512										
1 15/16, 2	815	3625	730	3247	335	1490												
2 3/16, 2 1/4	975	4337	410	1824														
2 7/16, 2 1/2	645	2869																

■ Load ratings are based on industry standards established by the Mechanical Power Transmission Association.

* For plain bore Cast Iron Sleeve Bearing Units use radial load ratings at speeds to the left of the shaded area.

Load Ratings – Bronze Rigid Sleeve Bearing Units

Radial Load Rating for 10 to 300 RPM (pounds/newtons) ■

Shaft Diameter, inches	Shaft Speed, RPM													
	10		50		100		150		200		250		300	
1/2	200	890	200	890	200	890	195	867	195	867	195	867	195	867
5/8	250	1 112	250	1 112	245	1 090	245	1 090	240	1 090	240	1 068	240	1 068
3/4	300	1 334	300	1 334	295	1 312	295	1 312	290	1 290	285	1 268	285	1 268
7/8	435	1 935	430	1 913	425	1 890	420	1 868	415	1 846	410	1 824	405	1 802
15/16	465	2 068	460	2 046	455	2 024	450	2 002	445	1 979	435	1 935	430	1 913
1	495	2 202	490	2 180	485	2 157	480	2 135	470	2 091	465	2 068	460	2 046
1 1/8	700	3 114	690	3 069	680	3 025	670	2 980	660	2 936	650	2 891	640	2 847
1 3/16, 1 1/4	735	3 269	730	3 247	715	3 180	705	3 136	695	3 092	680	3 025	670	2 980
1 5/16, 1 3/8,	980	4 359	965	4 293	950	4 226	930	4 137	915	4 070	895	3 981	880	3 914
1 7/16, 1 1/2	1070	4 760	1050	4 670	1030	4 580	1010	4 490	995	4 426	975	4 337	955	4 248
1 11/16, 1 3/4	1470	6 540	1440	6 410	1410	6 270	1370	6 090	1340	5 960	1310	5 830	1280	5 690
1 15/16, 2	1920	8 540	1880	8 360	1830	8 140	1790	7 960	1740	7 740	1690	7 520	1640	7 300
2 3/16, 2 1/4	2440	10 850	2390	10 630	2320	10 320	2240	9 960	2170	9 650	2100	9 340	2030	9 030
2 7/16, 2 1/2	3020	13 430	2940	13 080	2850	12 680	2750	12 230	2650	11 790	2560	11 390	2460	10 940
2 11/16, 2 3/4	3660	16 280	3560	15 840	3430	15 260	3300	14 680	3170	14 100	3040	13 520	2620	11 650
2 15/16, 3	4370	19 440	4230	18 820	4060	18 060	3890	17 300	3720	16 550	3550	15 790	2440	10 850
3 7/16, 3 1/2	5960	26 510	5740	25 530	5470	24 330	5200	23 130	4930	21 930	3610	16 060	1440	6 410
3 15/16, 4	7790	34 650	7460	33 180	7060	31 400	6650	29 580	5910	26 290				
4 7/8, 4 1/2	9860	43 860	9400	41 810	8820	39 230	8240	36 650	5400	24 020				
4 15/16, 5	12180	54 180	11540	51 330	10740	47 770	9950	44 260	4090	18 190				
5 7/16, 5 1/2	14740	65 570	13880	61 740	12820	57 030	10340	45 990	1820	8 100				
5 15/16, 6	17530	77 980	16420	73 040	15040	66 900	9520	42 350						
6 7/16, 6 1/2	20560	91 460	19150	85 180	17390	77 350	7900	35 140						
6 15/16, 7	23840	106 050	22070	98 170	19870	88 390	5350	23 800						
7 7/16, 7 1/2	29170	129 750	26850	119 430	23950	106 530	1880	8 360						
7 15/16, 8	31090	138 300	28450	126 550	23410	104 130								
9	35150	156 360	31760	141 280	18540	82 470								
10	38950	172 260	34760	154 620	12220	54 360								
12	52300	232 640	45520	202 480										

For speeds lower than 10 RPM
consult Rexnord Bearing Division.

Radial Load Rating for 350 to 1000 RPM (pounds/newtons)

Shaft Diameter, inches	Shaft Speed, RPM																	
	350		400		450		500		600		700		800		900		1000	
1/2	195	867	190	845	190	845	190	845	185	823	185	823	185	823	180	800	180	800
5/8	235	1045	235	1045	235	1045	230	1023	225	1001	220	979	220	979	215	956	210	934
3/4	280	1246	280	1246	275	1223	270	1201	265	1179	260	1157	255	1134	250	1112	240	1068
7/8	400	1779	395	1757	390	1735	385	1713	375	1668	365	1624	355	1579	325	1446	245	1090
15/16	425	1890	420	1868	415	1846	410	1824	395	1757	385	1713	375	1668	295	1312	200	890
1	450	2002	445	1979	440	1957	430	1913	420	1868	405	1802	360	1601	255	1134	150	667
1 1/8	630	2802	620	2758	605	2691	595	2647	575	2558	525	2335	360	1601	195	867		
1 3/16, 1 1/4	660	2936	645	2869	635	2825	625	2780	600	2669	485	2157	300	1334	115	512		
1 5/16, 1 3/8,	865	3848	845	3759	830	3692	815	3625	735	3269	465	2068	195	867				
1 7/16, 1 1/2	935	4159	915	4070	895	3981	875	3892	635	2825	315	1401						
1 11/16, 1 3/4	1240	5520	1210	5380	1180	5250	930	4137	410	1824								
1 15/16, 2	1590	7070	1500	6670	1110	4940	715	3180										
2 3/16, 2 1/4	1960	8720	1390	6180	830	3692												
2 7/16, 2 1/2	1860	8270	1090	4850														
2 11/16, 2 3/4	1580	7030	545	2424														

■ Load ratings are based on industry standards established by the Mechanical Power Transmission Association.

1000, 1000Z

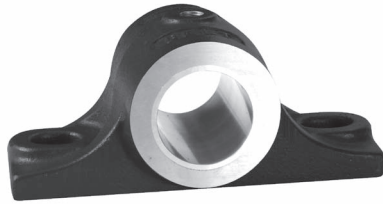
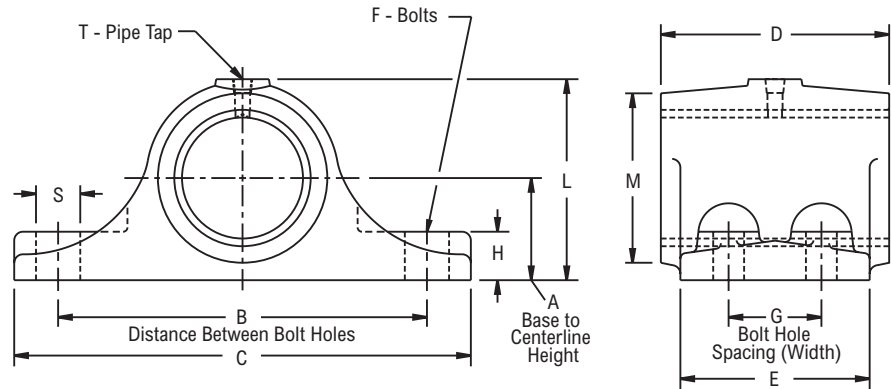


Photo Shows a 2-Bolt Rigid Sleeve Bearing Pillow Block Unit with Bronze Bushing

Product Features

- Corrosion-resistant powder coating
- Cast iron one piece housing
- Babbitt or Bronze sleeve
- 2 or 4-bolt base
- Relubricatable
- See Features & Benefits for additional info.



Bearing Dimensions

Shaft Diameter	Babbitt	Bronze	A Base to Centerline Height	B Distance Between Bolt Holes	G Bolt Hole Spacing (Width)	C	D	E	F	H	L	M	S	T	Approx. Weight
	Part Number	Part Number													
2-Bolt															
1/2	1008	1008Z	3/4	2 3/8	-	3 1/4	1 3/8	1	5/16	3/8	1 1/2	1 3/16	1/2	1/8	0.80
5/8	1010	1010Z	7/8	3	-	4 1/4	2	1 3/8	3/8	1/2	1 3/4	1 1/2	5/8	1/8	1.60
3/4	1012	1012Z													1.50
7/8	1014	1014Z	1	3 1/4	-	4 1/2	2	1 3/8	3/8	1/2	1 31/32	1 3/4	5/8	1/8	1.90
15/16	1015	1015Z													1.70
1	1016	1016Z	1 1/4	4	-	5 1/4	2 1/2	1 5/8	3/8	5/8	2 3/8	2	5/8	1/8	1.60
1 1/8	1018	1018Z													2.60
1 3/16	1019	1019Z	1 3/8	5	-	6 3/4	3	2	1/2	3/4	2 11/16	2 3/8	13/16	1/4	2.50
1 1/4	1020	1020Z													2.40
1 3/8	1022	1022Z	1 5/8	5 1/2	-	7 1/4	3 1/2	2 1/4	1/2	3/4	3 3/16	2 3/4	7/8	1/4	4.50
1 7/16	1023	1023Z													4.30
1 1/2	1024	1024Z	1 15/16	6	-	8	4	2 3/4	5/8	7/8	3 1/2	3 1/8	1	1/4	4.10
1 11/16	1027	1027Z													6.00
1 3/4	1028	1028Z	2	6 1/2	-	8 1/2	4 1/2	3	5/8	1	3 7/8	3 3/8	1	3/8	5.70
1 15/16	1031	1031Z													8.50
2	1032	1032Z	2 1/4	7	-	9 1/4	5	3 1/4	3/4	1 1/8	4 3/8	3 3/4	1 1/8	3/8	8.30
2 3/16	1035	1035Z													11.00
2 7/16	1039	1039Z	2 1/2	8 1/2	-	11 1/4	6	4	7/8	1 1/4	5	4 1/2	1 3/8	3/8	15.00
2 15/16	1047	1047Z													26.00
4-Bolt															
3 7/16	1055F	1055FZ	3	10	2 3/4	12 1/2	7	5	3/4	1 3/8	6	5 1/4	1 1/4	1/2	39.00
3 15/16	1063F	1063FZ	3 1/4	11	3	13 3/4	8	5 1/2	3/4	1 1/2	6 9/16	5 7/8	1 3/8	1/2	54.00

Additional Notes

- Please call 1-866-REXNORD for availability
- One pipe tapped hole for lubrication
- Grease cup or fitting not included
- For the Selection Guide, Load Ratings and Speed Limits, see the Link-Belt Sleeve Bearing Engineering section
- Note: Dimensions subject to change. Certified dimensions of ordered material furnished on request.

1100

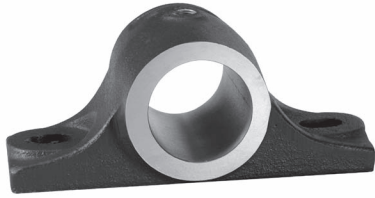
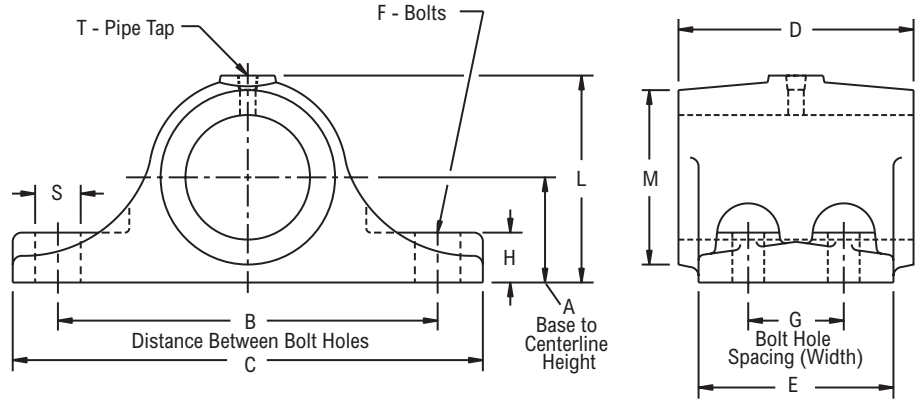


Photo Shows a 2-Bolt Rigid Sleeve Bearing Pillow Block Unit with Cast Iron Bushing

Product Features

- Corrosion-resistant powder coating
- Cast iron one piece housing
- Cast iron sleeve
- 2 or 4-bolt base
- Relubricatable
- See Features & Benefits for additional info.



Bearing Dimensions

Shaft Diameter	Part Number	A Base to Centerline Height	B Distance Between Bolt Holes	G Bolt Hole Spacing (Width)	C	D	E	F	H	L	M	S	T	Approx. Weight
2-Bolt														
³ / ₄	1112	³ / ₄	2 ³ / ₈	-	3 ¹ / ₄	1 ³ / ₈	1	⁵ / ₁₆	³ / ₈	1 ¹ / ₂	1 ³ / ₁₆	¹ / ₂	¹ / ₈	0.60
⁷ / ₈	1114	⁷ / ₈	3	-	4 ¹ / ₄	2	1 ³ / ₈	³ / ₈	¹ / ₂	1 ³ / ₄	1 ¹ / ₂	⁵ / ₈	¹ / ₈	1.40
¹⁵ / ₁₆	1115													1.30
1	1116	1	3 ¹ / ₄	-	4 ¹ / ₂	2	1 ³ / ₈	³ / ₈	¹ / ₂	1 ³¹ / ₃₂	1 ³ / ₄	⁵ / ₈	¹ / ₈	1.20
1 ¹ / ₈	1118													1.60
1 ³ / ₁₆	1119													1.50
1 ¹ / ₄	1120													1.40
1 ⁷ / ₁₆	1123	1 ¹ / ₄	4	-	5 ¹ / ₄	2 ¹ / ₂	1 ⁵ / ₈	³ / ₈	⁵ / ₈	2 ³ / ₈	2	⁵ / ₈	¹ / ₈	2.10
1 ¹ / ₂	1124													2.00
1 ¹¹ / ₁₆	1127	1 ³ / ₈	5	-	6 ³ / ₄	3	2	¹ / ₂	³ / ₄	2 ¹¹ / ₁₆	2 ³ / ₈	¹³ / ₁₆	¹ / ₄	3.50
1 ³ / ₄	1128													3.40
1 ¹⁵ / ₁₆	1131	1 ⁵ / ₈	5 ¹ / ₂	-	7 ¹ / ₄	3 ¹ / ₂	2 ¹ / ₄	¹ / ₂	³ / ₄	3 ³ / ₁₆	2 ³ / ₄	⁷ / ₈	¹ / ₄	5.00
2	1132													4.90
2 ³ / ₁₆	1135	1 ³ / ₄	6	-	8	4	2 ³ / ₄	⁵ / ₈	⁷ / ₈	3 ¹ / ₂	3 ¹ / ₈	1	³ / ₈	6.80
2 ⁷ / ₁₆	1139	2	6 ¹ / ₂	-	8 ¹ / ₂	4 ¹ / ₂	3	⁵ / ₈	1	3 ⁷ / ₈	3 ³ / ₈	1	³ / ₈	9.00
2 ¹¹ / ₁₆	1143	2 ¹ / ₄	7	-	9 ¹ / ₄	5	3 ¹ / ₄	³ / ₄	1 ¹ / ₈	4 ³ / ₈	3 ³ / ₄	1 ¹ / ₈	³ / ₈	12.00
2 ¹⁵ / ₁₆	1147													11.00
3 ⁷ / ₁₆	1155	2 ¹ / ₂	8 ¹ / ₂	-	11 ¹ / ₄	6	4	⁷ / ₈	1 ¹ / ₄	5	4 ¹ / ₂	1 ³ / ₈	¹ / ₂	19.00
4-Bolt														
3 ¹⁵ / ₁₆	1163F	3	10	2 ³ / ₄	12 ¹ / ₂	7	5	³ / ₄	1 ³ / ₈	6	5 ¹ / ₄	1 ¹ / ₄	¹ / ₂	31.00

Additional Notes

- Please call 1-866-REXNORD for availability
- One pipe tapped hole for lubrication
- Grease cup or fitting not included
- Note: Approximate load ratings from babbit ratings
- For the Selection Guide, Load Ratings and Speed Limits, see the Link-Belt Sleeve Bearing Engineering section
- Note: Dimensions subject to change. Certified dimensions of ordered material furnished on request.

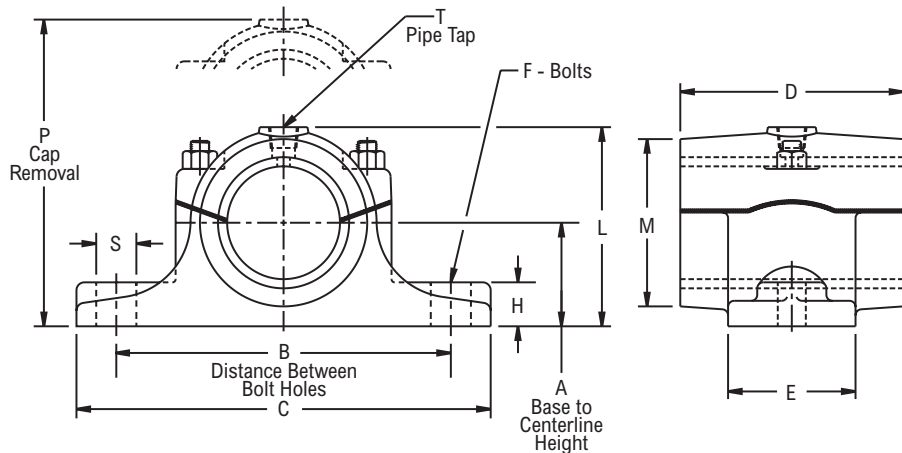
21200, 21200Z



Photo Shows a 2-Bolt Rigid Sleeve Bearing Two-Piece Pillow Block Unit with Bronze Bushing

Product Features

- Corrosion-resistant powder coating
- Cast iron two piece housing
- Babbitt or Bronze sleeve
- 2-bolt base
- Relubricatable
- See Features & Benefits for additional info.



Bearing Dimensions

Shaft Diameter	Babbitt	Bronze	A Base to Centerline Height	B Distance Between Bolt Holes	C	D	E	F	H	L	M	P	S	T	Approx. Weight
	Part Number	Part Number													
7/8	21214	21214Z	1	3 5/8	4 3/4	2	1 3/8	3/8	9/16	2 1/16	1 13/16	3	9/16	1/8	1.90
15/16	21215	21215Z													1.80
1	21216	21216Z													1.70
1 1/16	21217	21217Z	1 1/4	4 1/8	5 1/4	2 1/2	1 5/8	3/8	5/8	2 7/16	2	3 1/2	5/8	1/8	2.60
1 1/8	21218	21218Z													2.50
1 3/16	21219	21219Z													2.40
1 1/4	21220	21220Z													2.30
1 5/16	21221	21221Z													4.10
1 3/8	21222	21222Z	1 3/8	4 7/8	6 1/4	3	2	1/2	3/4	2 11/16	2 5/16	3 7/8	11/16	1/4	4.00
1 7/16	21223	21223Z													3.80
1 1/2	21224	21224Z													6.80
1 9/16	21225	21225Z	1 1/2	5 1/4	6 3/4	3 1/2	2 1/4	1/2	13/16	3	2 11/16	4 3/8	3/4	1/4	6.40
1 5/8	21226	21226Z													6.00
1 11/16	21227	21227Z													5.60
1 3/4	21228	21228Z													8.50
1 15/16	21231	21231Z													8.00
2	21232	21232Z	1 7/8	6 1/2	8 1/2	4 1/2	2 3/4	5/8	1	3 3/4	3 3/8	5 1/4	1	3/8	11.00
2 3/16	21235	21235Z													14.00
2 1/4	21236	21236Z													13.00
2 7/16	21239	21239Z	2 1/8	7	8 7/8	5	3	5/8	1 1/8	4 3/16	3 3/4	5 3/4	1	3/8	19.00
2 1/2	21240	21240Z													23.00
2 11/16	21243	21243Z	2 1/4	7 3/4	10	5 1/2	3 1/4	3/4	1 3/16	4 1/2	4	6 3/8	1 1/8	3/8	22.00
2 15/16	21247	21247Z													35.00
3	21248	21248Z	2 1/2	8 1/2	10 3/4	6	3 1/2	3/4	1 5/16	4 7/8	4 1/4	6 3/4	1 1/8	3/8	48.00
3 7/16	21255	21255Z													35.00
3 15/16	21263	21263Z													48.00

Additional Notes

- Please call 1-866-REXNORD for availability
- One pipe tapped hole for lubrication
- Grease cup or fitting not included
- LHD sliding base take-up can be drilled for these pillow blocks
- For the Selection Guide, Load Ratings and Speed Limits, see the Link-Belt Sleeve Bearing Engineering section
- Note: Dimensions subject to change. Certified dimensions of ordered material furnished on request.

21300

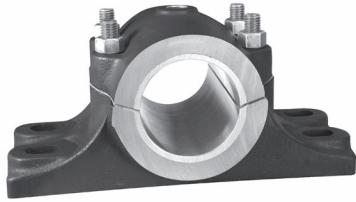
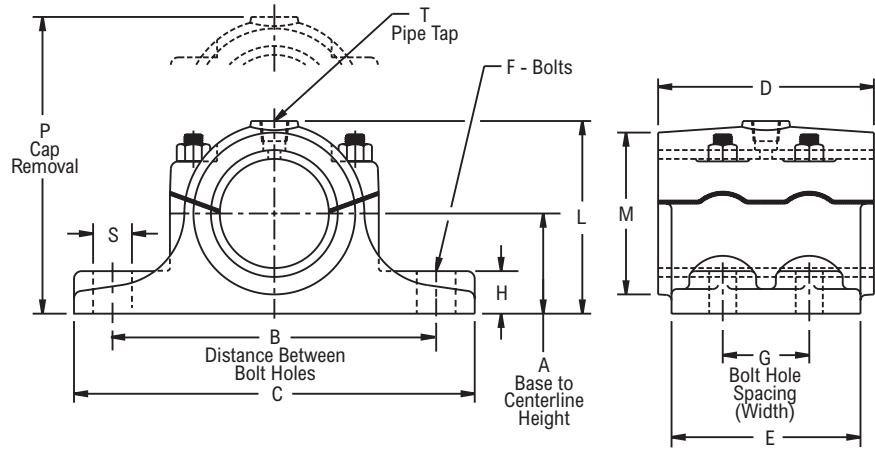


Photo Shows a 4-Bolt Rigid Sleeve Bearing Two-Piece Pillow Block Unit with Babbitt Bushing

Product Features

- Corrosion-resistant powder coating
- Cast iron two piece housing
- Babbitt sleeve
- 4-bolt base
- Relubricatable
- See Features & Benefits for additional info.



Bearing Dimensions

Shaft Diameter	Part Number	A Base to Centerline Height	B Distance Between Bolt Holes	G Bolt Hole Spacing (Width)	C	D	E	F	H	L	M	P	S	T	Approx. Weight
4-Bolt															
3 7/16	21355	3 1/4	10 1/2	2 3/4	13	7	5	3/4	1 3/8	6 1/4	5 1/4	8 1/8	1 1/4	1/2	43.00
3 15/16	21363	3 1/2	12	3	14 3/4	8	5 1/2	3/4	1 1/2	6 13/16	5 7/8	9 3/8	1 3/8	1/2	61.00
4 7/16	21371	4 1/8	13 1/2	3 1/2	16 1/2	9	6 1/4	7/8	1 3/4	7 7/8	6 5/8	10 3/8	1 1/2	1/2	92.00
4 15/16	21379	4 1/2	15	4	18	10	7	7/8	1 7/8	8 9/16	7 1/4	11 3/8	1 5/8	1/2	116.00

Additional Notes

- Please call 1-866-REXNORD for availability
- One pipe tapped hole for lubrication
- Grease cup or fitting not included
- For the Selection Guide, Load Ratings and Speed Limits, see the Link-Belt Sleeve Bearing Engineering section
- Note: Dimensions subject to change. Certified dimensions of ordered material furnished on request.

21400, 21400Z, 2K1400Z

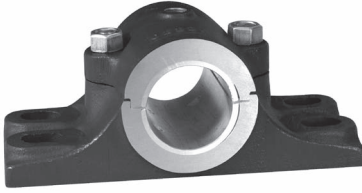
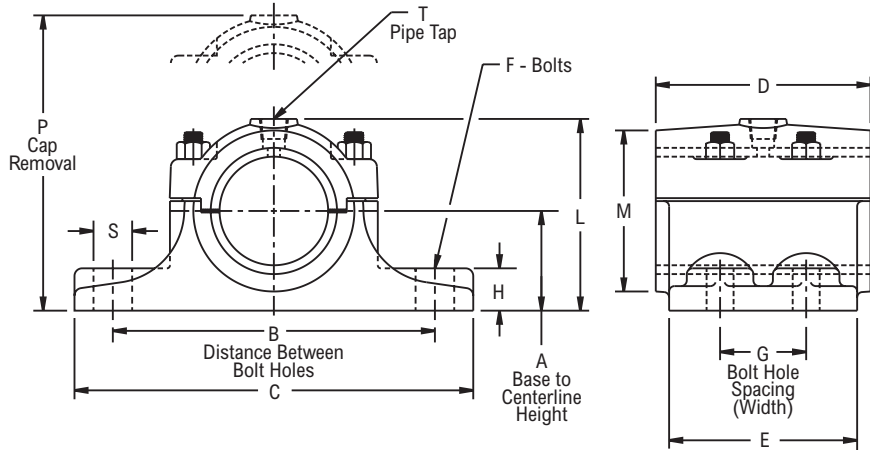


Photo Shows a 4-Bolt Rigid Sleeve Bearing Two-Piece Pillow Block Unit with Bronze Bushing

Product Features

- Corrosion-resistant powder coating
- Cast iron or cast steel housing
- Two-piece gibbed joint design
- Babbitt or Bronze sleeve
- 4-bolt base
- Relubricatable
- See Features & Benefits for additional info.



Bearing Dimensions

Shaft Diameter	Babbitt	Bronze	A Base to Centerline Height	B Distance Between Bolt Holes	G Bolt Hole Spacing (Width)	C	D	E	F	H	L	M	P	S	T	Approx. Weight
	Part Number	Part Number														
Cast Iron																
1 15/16	21431	21431Z	1 3/4	6 1/2	1 3/4	8 1/4	4	3 1/2	1/2	7/8	3 7/16	3	4 1/2	3/4	1/4	10.00
2 3/16	21435	21435Z	1 7/8	6 3/4	1 3/4	8 1/2	4 1/2	3 1/2	1/2	1	3 3/4	3 3/8	4 15/16	3/4	3/8	14.00
2 7/16	21439	21439Z	2 1/8	8	2	10 1/4	5	4	5/8	1 1/8	4 3/16	3 3/4	5 3/8	1	3/8	19.00
2 11/16	21443	21443Z	2 1/4	8 1/4	2 1/4	10 1/2	5 1/2	4 1/4	5/8	1 1/4	4 1/2	4	6	1	3/8	25.00
2 15/16	21447	21447Z	2 1/2	8 3/4	2 1/2	11	6	4 1/2	5/8	1 3/8	4 7/8	4 1/4	6 7/8	1	3/8	30.00
3 7/16	21455	21455Z	3 1/4	10 1/2	2 3/4	13	7	5	3/4	1 3/8	6 1/4	5 1/4	8 9/32	1 1/4	1/2	43.00
3 15/16	21463	21463Z	3 1/2	12	3	14 3/4	8	5 1/2	3/4	1 1/2	6 13/16	5 7/8	9 13/16	1 3/8	1/2	61.00
4 7/16	21471	21471Z	4 1/8	13 1/2	3 1/2	16 1/2	9	6 1/4	7/8	1 3/4	7 7/8	6 5/8	10 1/4	1 1/2	1/2	92.00
4 15/16	21479	21479Z	4 1/2	15	4	18	10	7	7/8	1 7/8	8 9/16	7 1/4	11 3/16	1 5/8	1/2	119.00
5 7/16	21487	21487Z	5	15 3/4	4 1/2	19 1/4	11	7 3/4	1	2	9 3/8	7 7/8	12 1/4	1 3/4	1/2	166.00
5 15/16	21495	21495Z	5 1/2	16 1/2	5	20 1/2	12	8 1/2	1 1/8	2 1/8	10 1/4	8 1/2	13 7/8	1 7/8	1/2	198.00
6 7/16	214103	214103Z	6	18	5 1/2	22	13	9 1/2	1 1/8	2 1/4	11	9 1/8	15 1/8	1 7/8	1/2	260.00
6 1/2	214104	214104Z														255.00
7	214112	214112Z	6 1/2	19	6	23	14	10	1 1/4	2 3/8	11 3/4	9 3/4	15 7/8	2	1/2	311.00
8	214128	214128Z	7	21 1/2	6 3/4	26	16	11	1 3/8	2 1/2	13 3/16	11 3/8	17 7/8	2 1/4	1/2	425.00
Cast Steel																
1 15/16	-	2K1431Z	1 3/4	6 1/2	1 3/4	8 1/4	4	3 1/2	1/2	7/8	3 7/16	3	4 1/2	3/4	1/4	11.00
2 3/16	-	2K1435Z	1 7/8	6 3/4	1 3/4	8 1/2	4 1/2	3 1/2	1/2	1	3 3/4	3 3/8	4 15/16	3/4	3/8	15.00
2 7/16	-	2K1439Z	2 1/8	8	2	10 1/4	5	4	5/8	1 1/8	4 3/16	3 3/4	5 3/8	1	3/8	21.00
2 11/16	-	2K1443Z	2 1/4	8 1/4	2 1/4	10 1/2	5 1/2	4 1/4	5/8	1 1/4	4 1/2	4	6	1	3/8	28.30
2 15/16	-	2K1447Z	2 1/2	8 3/4	2 1/2	11	6	4 1/2	5/8	1 3/8	4 7/8	4 1/4	6 7/8	1	3/8	34.00
3 7/16	-	2K1455Z	3 1/4	10 1/2	2 3/4	13	7	5	3/4	1 3/8	6 1/4	5 1/4	8 9/32	1 1/4	1/2	49.00
3 15/16	-	2K1463Z	3 1/2	12	3	14 3/4	8	5 1/2	3/4	1 1/2	6 13/16	5 7/8	9 13/16	1 3/8	1/2	69.00
4 7/16	-	2K1471Z	4 1/8	13 1/2	3 1/2	16 1/2	9	6 1/4	7/8	1 3/4	7 7/8	6 5/8	10 1/4	1 1/2	1/2	104.00
4 15/16	-	2K1479Z	4 1/2	15	4	18	10	7	7/8	1 7/8	8 9/16	7 1/4	11 3/16	1 5/8	1/2	134.00
5 7/16	-	2K1487Z	5	15 3/4	4 1/2	19 1/4	11	7 3/4	1	2	9 3/8	7 7/8	12 1/4	1 3/4	1/2	187.00
5 15/16	-	2K1495Z	5 1/2	16 1/2	5	20 1/2	12	8 1/2	1 1/8	2 1/8	10 1/4	8 1/2	13 7/8	1 7/8	1/2	213.00
6 1/2	-	2K14104Z	6	18	5 1/2	22	13	9 1/2	1 1/8	2 1/4	11	9 1/8	15 1/8	1 7/8	1/2	287.00
7	-	2K14112Z	6 1/2	19	6	23	14	10	1 1/4	2 3/8	11 3/4	9 3/4	15 7/8	2	1/2	350.00
8	-	2K14128Z	7	21 1/2	6 3/4	26	16	11	1 3/8	2 1/2	13 3/16	11 3/8	17 7/8	2 1/4	1/2	478.00
9	-	2K14144Z	8	23	6	29	16	10 1/2	1 1/2	2 3/4	14 7/8	12 1/2	20 3/8	2 3/4	1/2	530.00
10	-	2K14160Z	9	25	6	31	16	10 1/2	1 3/4	3	16 7/8	14	22 7/8	3	1/2	650.00
12	-	2K14192Z	11	29	7 1/2	36	18	12 1/2	2	3 1/2	20	16	27	3 1/2	1/2	910.00

Additional Notes

- Please call 1-866-REXNORD for availability
- One pipe tapped hole (two holes for shafts larger than 5 in for lubrication)
- Grease cup or fitting not included
- LHD sliding base take-up can be drilled for these pillow blocks
- For the Selection Guide, Load Ratings and Speed Limits, see the Link-Belt Sleeve Bearing Engineering section
- Note: Dimensions subject to change. Certified dimensions of ordered material furnished on request.

21500, 21500Z

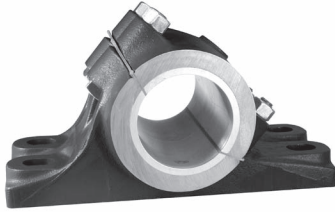
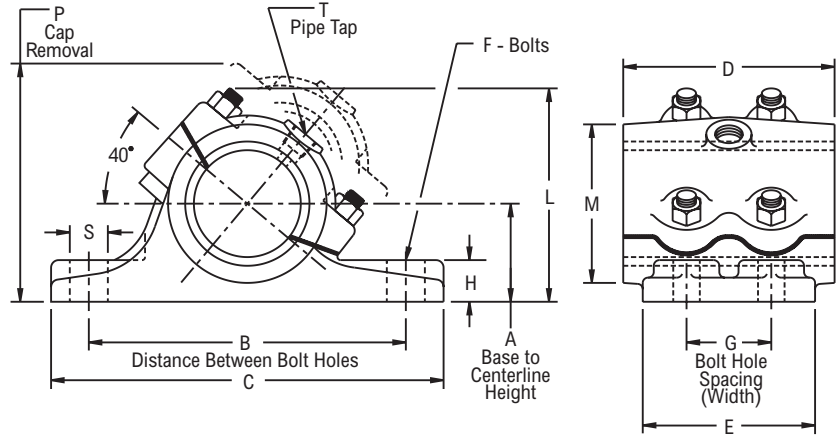


Photo Shows a 4-Bolt Rigid Sleeve Bearing Two-Piece Pillow Block Unit with Bronze Bushing

Product Features

- Corrosion-resistant powder coating
- Cast iron housing
- Two-piece angular joint design
- Babbitt or Bronze sleeve
- 4-bolt base
- Relubricatable
- See Features & Benefits for additional info.



Bearing Dimensions

Shaft Diameter	Babbitt	Bronze	A Base to Centerline Height	B Distance Between Bolt Holes	G Bolt Hole Spacing (Width)	C	D	E	F	H	L	M	P	S	T	Approx. Weight
	Part Number	Part Number														
1 ¹⁵ / ₁₆	21531	21531Z	2 ¹ / ₄	6 ¹ / ₂	1 ³ / ₄	8 ¹ / ₄	4	3 ¹ / ₂	¹ / ₂	⁷ / ₈	4 ¹ / ₂	3	5 ¹ / ₄	³ / ₄	¹ / ₄	10.00
2 ³ / ₁₆	21535	21535Z	2 ¹ / ₂	6 ³ / ₄	1 ³ / ₄	8 ¹ / ₂	4 ¹ / ₂	3 ¹ / ₂	¹ / ₂	1	4 ⁷ / ₈	3 ³ / ₈	5 ³ / ₄	³ / ₄	³ / ₈	14.00
2 ⁷ / ₁₆	21539	21539Z	2 ³ / ₄	8	2	10 ¹ / ₄	5	4	⁵ / ₈	1 ¹ / ₈	5 ⁵ / ₁₆	3 ³ / ₄	6 ¹ / ₈	1	³ / ₈	17.00
2 ¹¹ / ₁₆	21543	21543Z	3	8 ¹ / ₄	2 ¹ / ₄	10 ¹ / ₂	5 ¹ / ₂	4 ¹ / ₄	⁵ / ₈	1 ¹ / ₄	6	4	7	1	³ / ₈	27.00
2 ¹⁵ / ₁₆	21547	21547Z	3 ¹ / ₄	8 ³ / ₄	2 ¹ / ₂	11	6	4 ¹ / ₂	⁵ / ₈	1 ³ / ₈	6 ³ / ₈	4 ¹ / ₄	7 ¹ / ₂	1	³ / ₈	29.00
3 ⁷ / ₁₆	21555	21555Z	3 ¹ / ₂	10 ¹ / ₂	2 ³ / ₄	13	7	5	³ / ₄	1 ¹ / ₂	7 ¹ / ₈	5 ¹ / ₄	9	1 ¹ / ₄	¹ / ₂	43.00
3 ¹⁵ / ₁₆	21563	21563Z	3 ³ / ₄	12	3	14 ³ / ₄	8	5 ¹ / ₂	³ / ₄	1 ⁵ / ₈	8 ¹ / ₄	5 ⁷ / ₈	10 ¹ / ₄	1 ³ / ₈	¹ / ₂	60.00
4 ⁷ / ₁₆	21571	21571Z	4 ¹ / ₈	13 ¹ / ₂	3 ¹ / ₂	16 ¹ / ₂	9	6 ¹ / ₄	⁷ / ₈	1 ³ / ₄	8 ⁷ / ₈	6 ⁵ / ₈	11	1 ¹ / ₂	¹ / ₂	87.00
4 ¹⁵ / ₁₆	21579	21579Z	4 ¹ / ₂	15	4	18	10	7	⁷ / ₈	1 ⁷ / ₈	9 ³ / ₄	7 ¹ / ₄	12	1 ⁵ / ₈	¹ / ₂	119.00
5 ⁷ / ₁₆	21587	21587Z	5	15 ³ / ₄	4 ¹ / ₂	19 ³ / ₄	11	8	1	2	10 ¹³ / ₁₆	7 ⁷ / ₈	13 ¹ / ₂	1 ⁷ / ₈	¹ / ₂	163.00
5 ¹⁵ / ₁₆	21595	21595Z	5 ¹ / ₂	16 ¹ / ₂	5	20 ¹ / ₂	12	8 ¹ / ₂	1 ¹ / ₈	2 ¹ / ₈	11 ²⁹ / ₃₂	8 ¹ / ₂	14 ⁵ / ₈	1 ⁷ / ₈	¹ / ₂	192.00
6 ¹ / ₂	215104	215104Z	6	18	5 ¹ / ₂	22	13	9 ¹ / ₂	1 ¹ / ₈	2 ¹ / ₄	11 ³ / ₄	9 ¹ / ₈	14 ³ / ₄	1 ⁷ / ₈	¹ / ₂	255.00
7	215112	215112Z	6 ¹ / ₂	19	6	23	14	10	1 ¹ / ₄	2 ³ / ₈	13 ¹¹ / ₁₆	9 ³ / ₄	16 ⁵ / ₈	2	¹ / ₂	295.00
8	215128	215128Z	8	23	6	29	16	10 ¹ / ₂	1 ¹ / ₂	2 ³ / ₄	16 ¹ / ₈	12 ¹ / ₂	22	2 ³ / ₄	¹ / ₂	575.00

Additional Notes

- Please call 1-866-REXNORD for availability
- One pipe tapped hole (two holes for shafts larger than 5 in for lubrication)
- Grease cup or fitting not included
- For the Selection Guide, Load Ratings and Speed Limits, see the Link-Belt Sleeve Bearing Engineering section
- Note: Dimensions subject to change. Certified dimensions of ordered material furnished on request.

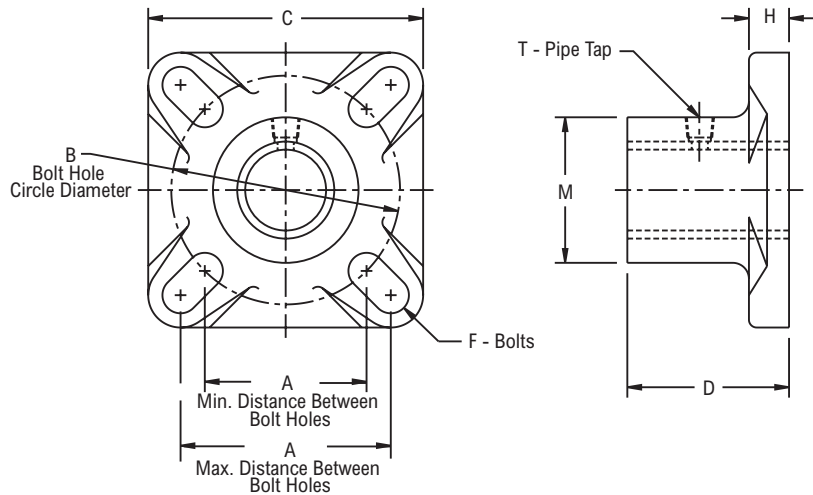
F2200, F2200Z



Photo Shows a 4-Bolt Rigid Sleeve Bearing Flanged Unit with Bronze Bushing

Product Features

- Corrosion-resistant powder coating
- Cast iron one piece housing
- Babbitt or Bronze sleeve
- Relubricatable
- See Features & Benefits for additional info.



Bearing Dimensions

Shaft Diameter	Babbitt	Bronze	A Min. Distance Between Bolt Holes	A Max. Distance Between Bolt Holes	B Bolt Hole Circle Diameter	C	D	F	H	M	T	Approx. Weight
	Part Number	Part Number										
$\frac{3}{4}$	F2212	F2212Z	$2\frac{1}{8}$	$2\frac{1}{2}$	3	$3\frac{3}{8}$	$1\frac{1}{2}$	$\frac{3}{8}$	$\frac{7}{16}$	$1\frac{1}{2}$	$\frac{1}{8}$	1.70
$\frac{7}{8}$	F2214	F2214Z	$2\frac{1}{8}$	$2\frac{3}{4}$	3	$3\frac{3}{4}$	2	$\frac{3}{8}$	$\frac{1}{2}$	$1\frac{7}{8}$	$\frac{1}{8}$	2.50
$\frac{15}{16}$	F2215	F2215Z										
1	F2216	F2216Z	$2\frac{1}{2}$	$3\frac{1}{4}$	$3\frac{9}{16}$	$4\frac{1}{4}$	$2\frac{1}{2}$	$\frac{1}{2}$	$\frac{5}{8}$	$2\frac{1}{4}$	$\frac{1}{8}$	2.40
$1\frac{3}{16}$	F2219	F2219Z										3.70
$1\frac{1}{4}$	F2220	F2220Z										3.60
$1\frac{7}{16}$	F2223	F2223Z	$2\frac{29}{32}$	4	$4\frac{1}{8}$	$5\frac{1}{8}$	3	$\frac{1}{2}$	$\frac{3}{4}$	$2\frac{1}{2}$	$\frac{1}{4}$	5.00
$1\frac{1}{2}$	F2224	F2224Z										4.80
$1\frac{11}{16}$	F2227	F2227Z	$3\frac{9}{32}$	$4\frac{1}{8}$	$4\frac{5}{8}$	$5\frac{3}{8}$	$3\frac{1}{2}$	$\frac{1}{2}$	$\frac{3}{4}$	$2\frac{7}{8}$	$\frac{1}{4}$	10.40
$1\frac{3}{4}$	F2228	F2228Z										10.20
$1\frac{15}{16}$	F2231	F2231Z	$3\frac{23}{32}$	$5\frac{1}{8}$	$5\frac{1}{4}$	$6\frac{3}{8}$	4	$\frac{5}{8}$	$\frac{7}{8}$	$3\frac{1}{4}$	$\frac{1}{4}$	10.60
2	F2232	F2232Z										10.30
$2\frac{3}{16}$	F2235	F2235Z	$4\frac{1}{16}$	$5\frac{1}{8}$	$5\frac{3}{4}$	$6\frac{3}{8}$	$4\frac{1}{2}$	$\frac{5}{8}$	$\frac{7}{8}$	$3\frac{5}{8}$	$\frac{1}{4}$	14.80
$2\frac{7}{16}$	F2239	F2239Z	$4\frac{13}{32}$	$5\frac{5}{8}$	$6\frac{1}{4}$	$6\frac{7}{8}$	5	$\frac{5}{8}$	1	4	$\frac{3}{8}$	16.50
$2\frac{15}{16}$	F2247	F2247Z	$5\frac{7}{32}$	6	$7\frac{3}{8}$	$7\frac{3}{4}$	6	$\frac{3}{4}$	$1\frac{1}{8}$	$4\frac{3}{4}$	$\frac{3}{8}$	27.00
3	F2248	F2248Z										26.30
$3\frac{7}{16}$	F2255	F2255Z	$5\frac{29}{32}$	$6\frac{3}{4}$	$8\frac{3}{8}$	$8\frac{9}{16}$	7	$\frac{3}{4}$	$1\frac{1}{4}$	$5\frac{1}{2}$	$\frac{1}{2}$	40.50
$3\frac{15}{16}$	F2263	F2263Z	$6\frac{23}{32}$	$7\frac{5}{8}$	$9\frac{1}{2}$	$9\frac{3}{4}$	8	$\frac{7}{8}$	$1\frac{1}{2}$	$6\frac{3}{8}$	$\frac{1}{2}$	65.00

Additional Notes

- Please call 1-866-REXNORD for availability
- One pipe tapped hole for lubrication
- Grease cup or fitting not included
- For the Selection Guide, Load Ratings and Speed Limits, see the Link-Belt Sleeve Bearing Engineering section
- Note: Dimensions subject to change. Certified dimensions of ordered material furnished on request.

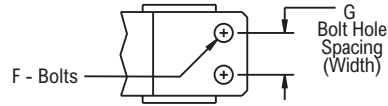
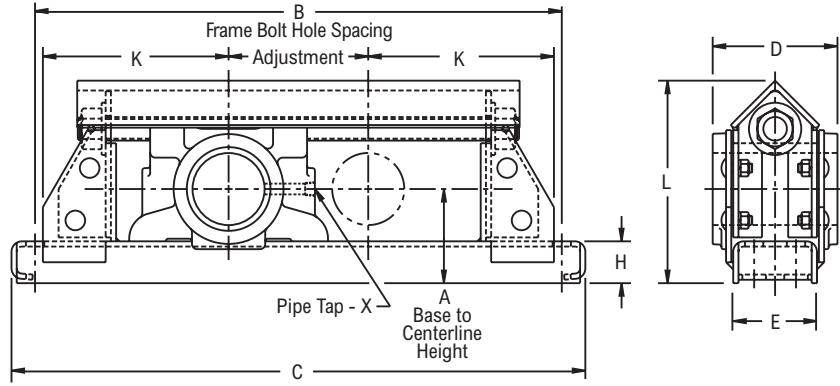
DSB2800



Photo Shows a Heavy Duty Removable Top Conveyor Take-up Frame with Rigid Sleeve Bearing Take-up Unit

Product Features

- Protected screw type frame
- Corrosion-resistant powder coating
- Cast iron housing
- Babbitt sleeve
- Relubricatable
- See Features & Benefits for additional info.



Bearing Dimensions

Shaft Diameter	Adjust.	Part Number	A Base to Centerline Height	B Frame Bolt Hole Spacing	G Bolt Hole Spacing (Width)	C	D	E	F	H	K	L	X	Radial Factor	Approx. Weight
1 15/16	12	DSB283112	3 1/4	26 1/2	-	29 1/2	4	3	5/8	1 3/4	7 3/4	7 1/4	1/4	1	39.00
	18	DSB283118		32 1/2		35 1/2									45.00
2 3/16	12	DSB283512	3 3/8	27 1/2	-	29 1/2	4	3	5/8	1 3/4	7 3/4	7 1/4	3/8	1	42.00
	18	DSB283518		33 1/2		35 1/2									48.00
2 7/16	12	DSB283912	3 1/2	28 1/2	-	30 1/2	5	3	3/4	1 3/4	8 1/4	7 1/2	3/8	1	49.00
	18	DSB283918		34 1/2		36 1/2									55.00
	24	DSB283924		40 1/2		42 1/2									60.00
2 15/16	12	DSB284712	4 1/8	30 1/2	2	32 1/2	6	4	5/8	2	9 1/4	8 3/4	3/8	1	72.00
	18	DSB284718		36 1/2		38 1/2									81.00
	24	DSB284724		42 1/2		44 1/2									89.00
3 7/16	12	DSB285512	4 1/2	32	2	34 1/4	7	4	3/4	2	10	9 11/16	1/2	1	94.00
	18	DSB285518		38		40 1/4									103.00
	24	DSB285524		44		46 1/4									111.00
3 15/16	12	DSB286312	5	36	2 1/2	38 1/2	8	5	3/4	2 1/4	12	10 15/16	1/2	1	138.00
	18	DSB286318		42		44 1/2									150.00
	24	DSB286324		48		50 1/2									160.00

Additional Notes

- Please call 1-866-REXNORD for availability
- One pipe tapped hole for lubrication
- Grease cup or fitting not included
- For replacement bearing unit, specify take-up number without amount of adjustment, i.e. DSB2831
- Take-ups with adjustment of 18 in (457.2 mm) or more have center supporting pad welded to bottom of frame
- For radial loads, multiply load rating by a factor of 1.0

For the Selection Guide, Load Ratings and Speed Limits, see the Link-Belt Sleeve Bearing Engineering section
 Note: Dimensions subject to change. Certified dimensions of ordered material furnished on request.

Rigid Sleeve Bearing Replacement Parts



Bushing

1000Z Part Numbers

Shaft Diameter	Pillow Block	Replacement Bushing
	Part Number	Part Number
1/2	1008Z	285Y222101
5/8	1010Z	285Y222104
3/4	1012Z	285Y222105
7/8	1014Z	285Y2221
15/16	1015Z	285Y2222
1	1016Z	285Y2223
1 1/8	1018Z	285Y2224
1 3/16	1019Z	285Y2225
1 1/4	1020Z	285Y2226
1 3/8	1022Z	285Y2228
1 7/16	1023Z	285Y2229
1 1/2	1024Z	285Y22210
1 11/16	1027Z	285Y22211
1 3/4	1028Z	285Y22212
1 15/16	1031Z	285Y22213
2	1032Z	285Y22214
2 3/16	1035Z	285Y22215
2 7/16	1039Z	285Y22217
2 15/16	1047Z	285Y22223
3 7/16	1055FZ	285Y22225
3 15/16	1063FZ	285Y22227

F2200Z Part Numbers

Shaft Diameter	Flange Block	Replacement Bushing
	Part Number	Part Number
3/4	F2212Z	285Y22296
7/8	F2214Z	285Y2221
15/16	F2215Z	285Y2222
1	F2216Z	285Y2223
1 3/16	F2219Z	285Y2225
1 1/4	F2220Z	285Y2226
1 7/16	F2223Z	285Y2229
1 1/2	F2224Z	285Y22210
1 11/16	F2227Z	285Y22211
1 3/4	F2228Z	285Y22212
1 15/16	F2231Z	285Y22213
2	F2232Z	285Y22214
2 3/16	F2235Z	285Y22215
2 7/16	F2239Z	285Y22217
2 15/16	F2247Z	285Y22223
3	F2248Z	285Y22224
3 7/16	F2255Z	285Y22225
3 15/16	F2263Z	285Y22227

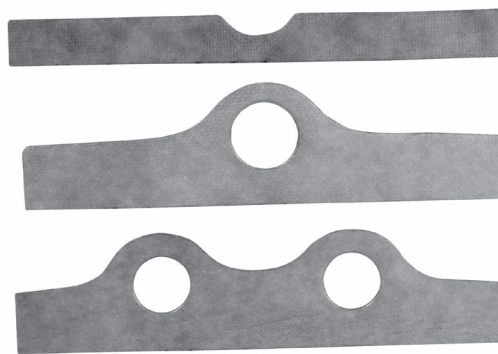
Additional Notes

Bronze replacement bearings are sold with lube groove. Provision should be made to lock the bearing to the housing.

Rigid Sleeve Bearing Replacement Parts



Bushing



Shims

21200Z Part Numbers

Shaft Diameter	Pillow Block	Replacement Bushing	Shims	
	Part Number		Part Number	Part Number
7/8	21214Z	285BY24	131Y9541	2
15/16	21215Z	285BY25	131Y95421	2
1	21216Z	285BY26	131Y95421	2
1 1/16	21217Z	285BY215	131Y95424	2
1 1/8	21218Z	285BY27	131Y9542	2
1 3/16	21219Z	285BY28	131Y95422	2
1 1/4	21220Z	285BY29	131Y95422	2
1 3/8	21222Z	285BY210	131Y95423	4
1 7/16	21223Z	285BY211	131Y95423	4
1 1/2	21224Z	285BY212	131Y95423	4
1 9/16	21225Z	285BY213	131Y95424	4
1 5/8	21226Z	285BY214	131Y95424	4
1 11/16	21227Z	285BY215	131Y95424	4
1 3/4	21228Z	285BY216	131Y95424	4
1 15/16	21231Z	285BY217	131Y95425	4
2	21232Z	285BY218	131Y95425	4
2 3/16	21235Z	285BY219	131Y95426	4
2 1/4	21236Z	285BY220	131Y95426	4
2 7/16	21239Z	285BY222	131Y95427	4
2 1/2	21240Z	285BY224	131Y95427	4
2 11/16	21243Z	285BY225	131Y95428	4
2 15/16	21247Z	285BY229	131Y95429	4
3	21248Z	285BY230	131Y95429	4
3 7/16	21255Z	285BY232	131Y95430	4
3 15/16	21263Z	285BY236	131Y95431	4

21400Z, 2K1400Z Part Numbers

Shaft Diameter	Pillow Block	Replacement Bushing	Shims	
	Part Number		Part Number	Part Number
1 15/16	21431Z, 2K1431Z	285BY31	131Y3661	4
2 3/16	21435Z, 2K1435Z	285BY33	131Y3663	4
2 7/16	21439Z, 2K1439Z	285BY37	131Y3665	4
2 11/16	21443Z, 2K1443Z	285BY39	131Y3667	4
2 15/16	21447Z, 2K1447Z	285BY313	131Y3669	4
3 7/16	21455Z, 2K1455Z	285BY317	131Y36611	6
3 15/16	21463Z, 2K1463Z	285BY319	131Y36613	6
4 7/16	21471Z	285BY321	131Y36615	8
4 7/16	2K1471Z	285BY322	131Y36615	8
4 15/16	21479Z	285BY325	131Y36617	8
4 15/16	2K1479Z	285BY326	131Y36617	8
5 7/16	21487Z, 2K1487Z	285BY329	131Y36618	12
5 15/16	21495Z, 2K1495Z	285BY331	131Y36621	12
6 7/16	214103Z, 2K14103Z	285BY333	131Y36622	12
6 1/2	214104Z, 2K14104Z	285BY334	131Y36622	12
7	214112Z, 2K14112Z	285BY335	131Y36625	12
7 1/2	214120Z, 2K14120Z	285BY336	131Y36628	12
8	214128Z, 2K14128Z	285BY337	131Y36630	12
9	2K14144Z	285BY338	131Y36620	2
10	2K14160Z	285BY340	131Y36624	2
12	2K14192Z	285BY341	131Y36626	2

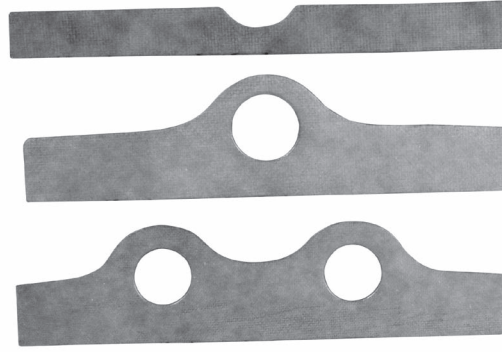
Additional Notes

Replacement bronze bearings are pre-split with lube groove. Provision should be made to lock each bearing segment to the base and cap. Replacement bronze bearings and shims must be ordered as individual items.

Rigid Sleeve Bearing Replacement Parts



Bushing



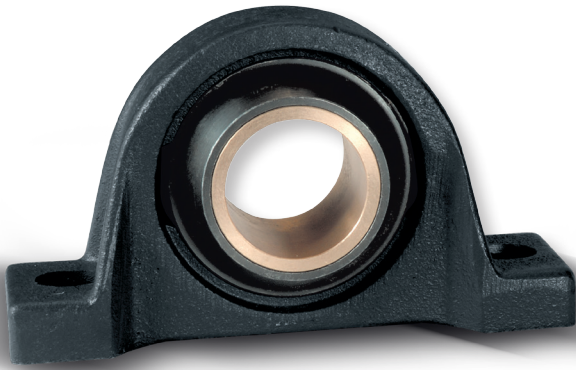
Shims

21500Z Part Numbers

Shaft Diameter	Pillow Block	Replacement Bushing	Shims	
	Part Number	Part Number	Part Number	Quantity
1 ¹⁵ / ₁₆	21531Z	285BY217	131Y95425	4
2 ³ / ₁₆	21535Z	285BY219	131Y95426	4
2 ⁷ / ₁₆	21539Z	285BY222	131Y95427	4
2 ¹¹ / ₁₆	21543Z	285BY225	131Y95428	4
2 ¹⁵ / ₁₆	21547Z	285BY229	131Y95429	4
3 ⁷ / ₁₆	21555Z	285BY233	131Y9549	6
3 ¹⁵ / ₁₆	21563Z	285BY237	131Y95410	6
4 ⁷ / ₁₆	21571Z	285BY240	131Y95411	8
4 ¹⁵ / ₁₆	21579Z	285BY242	131Y95412	8
5 ⁷ / ₁₆	21587Z	285BY244	131Y95434	12
5 ¹⁵ / ₁₆	21595Z	285BY331	131Y36621	12
6 ¹ / ₂	215104Z	285BY334	131Y36622	12
7	215112Z	285BY335	131Y36625	12
8	215128Z	285BY337	131Y36616	2

Additional Notes

Replacement bronze bearings are pre-split with lube groove. Provision should be made to lock each bearing segment to the base and cap. Replacement bronze bearings and shims must be ordered as individual items.



Industries Served
Commercial Furnaces
Heat Treatment
Waste Water Management
Dams
Air Handling

Link-Belt Series 3200 Flex-block Sleeve Bearing Units

Link-Belt flex-block bearings are alignable and self-lubricating. Because the bearing material wears gradually under operation, sudden breakdowns and costly maintenance are minimized. The standard bearing insert materials of oil impregnated porous sintered bronze, or self-lubricating graphite are widely used for the extreme applications of modern industry.



1. One-piece Housing

Sturdy one-piece housings, with machined mounting surfaces, are available as pillow blocks or flanged units.

2. Machined Surface

Component has machined spherical surface for proper seating in housing and for initial mounting alignment.

3. Self-Lubricating or Oil Impregnated

Bearing sleeve, pressed into component, is available in self-lubricating or oil impregnated material.

4. Extend Unit Life

When the component retaining screw is loosened, the insert can be rotated 180° to utilize unused bearing surface and extend the life of the unit.

Bearings Components

Heart of the Flex-block bearing is the alignable insert into which is pressed a self-lubricating bearing. The component has a machined spherical surface that is alignable in the housing.

Two types of bearings are available:

1. Sintered bronze sleeve, oil impregnated, for operating temperatures to 200°F (93°C).
2. Self-lubricating carbon-graphite sleeve, for temperatures to 700°F (371°C).

One-piece Cast Iron Housings

Compact one-piece cast iron housings provide strength and superior rigidity. All units are designed with standard mounting dimensions and have finished mounting surfaces for proper installation stability. Pillow blocks have slotted bolt holes with ample space provided for drilling dowel pin holes. Flanged units have drilled mounting holes.

Pillow Blocks 3200P

Alignable pillow blocks have a high-test iron housing, 2-bolt base, and self-lubricating bearing. For shaft sizes 5/8" through 3 15/16".



Flanged Units - 2-bolt 3200FX

Alignable flanged units have 2-bolt cast iron housing and self lubricating bearing. For shaft sizes 5/8" through 1 3/4".



Flanged Units - 4-bolt 3200F

Alignable flanged units have 4-bolt cast iron housing and self lubricating bearing. For shaft sizes 5/8" through 3 7/16".



Nomenclature

Symbol	Description	32	16	F	T1	S	C
32	Standard duty series						
16	Shaft diameter in 16ths of an inch						
F	Flanged unit, 4-bolt						
FX	Flanged unit, 2-bolt						
P	Pillow block						
T1	Porous sintered bronze, oil impregnated, 200°F max.						
T3	Self-lubricating carbon graphite, 700°F max.						
T4	Plain bore (cast iron), 1000°F max.						
None	Standard length						
S	Short sleeve, (F, FX units)						
C	Closed end unit						

The nomenclature shown is provided to identify the basic and optional features of bearing and mounted unit assemblies. The most commonly specified variations are listed; however, availability of all variations cannot be assumed. Link-Belt Bearing Division, Rexnord Corporation should be consulted regarding optional features, availability, and the application requirements.

Flex-block Sleeve Bearing Selection Guide

To select a Flex-block sleeve bearing, determine the applied radial load and the applicable operating conditions. The procedure shown here will aid in selecting an appropriate bearing.

The bearing ratings apply when certain installation and operating conditions are met and when any other adverse ambient conditions such as high or low temperatures, extreme dirt or moisture, chemical contamination, shock or vibration loading direct or induced, oscillating shafts, intermittent operation and related factors are carefully considered.

The ratings used apply when the following conditions are met:

1. Normal running loads should not exceed the ratings shown in the tables. Starting and occasional peak loads should not exceed these ratings by more than 100%.

2. The shaft finish through the bearing bore should be at least as smooth as commercial steel shafting which varies from 8 to 50 micro-inches (0.2µm to 1.3µm). There also should be no machined or ground spiral lead on the shaft journal. For improved bearing performance the shaft finish should not exceed 12 micro-inches (0.3µm). Shafting should also be within the diameter tolerances.
3. Ambient temperatures should not be lower than 32°F (0°C) for T1 bearing material. The upper operating temperature limits are as follows: T1—200°F (93°C) T3—700°F (371°C)
4. Sturdy, vibration free supporting structures should be provided.
5. Flex-block units should not be exposed to severe dirt conditions.

Steps for Selection

Step 1

Determine the maximum operating temperature of the application.

Step 2

From Table 1, select the bearing insert material.

Step 3

Refer to the radial load rating tables to determine the shaft diameter necessary to obtain the required radial load rating at the given speed. Where short bearings are required, multiply the radial load by the short bearing factor before selecting the bearing.

Step 4

To position a shaft axially or where light thrust loads are present provide flat washers of the desired material backed by a shaft collar or a machined shaft shoulder against the end of the bearing. The bearing ends are already machined.

Table 1 – Bearing insert material selection

Bearing Insert Suffix	Bearing material	Type of Lubrication	Type of Unit	Available Bore size
T1	Oil impregnated porous sintered bronze	Oil	P	5/8" – 3 15/16"
			FX	5/8" – 1 3/4"
			F	5/8" – 3 7/16"
T3	Machined carbon-graphite	Self-lubricating	P	5/8" – 3 15/16"
			FX	5/8" – 1 3/4"
			F	5/8" – 3 7/16"

Bearing Insert Suffix	Minimum Temperature Limit	Maximum Temperature Limit	Comments
T1	32°F (0°C)	200°F (93°C)	
T3	...	700°F (371°C)	material somewhat brittle—handle with care—no significant shock loads

Additional Information

Flex-block Bearing Materials:

Sleeve bearing inserts made of T1 oil impregnated porous sintered bronze are universally accepted as providing reasonable capacity and dependable service. When lubricant is present damage to shafts or rotors is minimized. Additional SAE 40 oil can be periodically added to extend the bearing life. The T1 bearing operating temperature should not exceed 200°F (93°C). Applications are restricted to those involving light to moderate loads and mild shock. Caution: Do not use stainless steel shaft.

T3 machined carbon graphite bearings are self-lubricating with material worn from the bearing. T3 bearing inserts are limited to a maximum operating temperature of 700°F (371°C). The radial load applied, the shaft surface finish and the speed of operation determine the wear life of the bearing. As machined carbon graphite is somewhat brittle, care should be taken during handling and mounting to avoid chipping the corners, etc.

Additional Features:

By the very nature of their design all Flex-block sleeve bearing units are expansion type, in that the shaft journal is free to move axially through the bore of the bearing. To fix a unit, a combination of shaft shoulders and/or thrust collars with flat washers of the desired material can be utilized.

Flex-block pillow blocks have cored mounting bolt holes suitable for the inch or metric bolts listed. Flanged units have drilled mounting holes 1/32" (0.8 mm) larger than the largest inch bolt shown.

Bearings are not replaceable in the components. Replacement components can be ordered but generally the entire unit is replaced when required.

2 and 4-bolt flanged units can be supplied with regular or short bearings.

The short bearing inserts do not project beyond the housing mounting face. When the short bearing is selected, the applied radial load must be multiplied by the short bearing factor before selecting the bearing size.

End closures can be furnished but they require specially machined housings. When end closures are used, shafts should extend no more than 1/8" (3.2 mm) beyond the end of the bearing.

Operation:

Flex-block sleeve bearing units are self-lubricating and ready for operation. Being alignable, they are also easy to mount and careful shaft alignment is not required. However shaft journals must turn freely without binding in the bearing or excessive heat and seizure can result. Any factors which may disrupt or remove the lubricant film should be eliminated. Sharp edges on the shaft or the bearing surface can act as scrapers to destroy lubricant film. Do not extend shaft keyways into bearing bores.

Take-ups:

Flex-block pillow blocks can be mounted on universal take-up frames LC.

Shaft Tolerances:

Shaft diameters for Flex-block sleeve bearing units are usually held to the following regular commercial tolerances:

Shaft Diameters Recommended Tolerance

5/8" through 2"	Nominal to –.003"
2 1/2" through 4"	Nominal to –.004"

Caution: Do not use stainless steel shaft, if bearing insert T1 is used.

Commercial shaft finish if free of nicks, burrs, scratches, etc. is generally satisfactory. Improved surface finish of 12 micro-inches (0.3µm) or less will extend wear life.

Warning

The reliability built in all Link-Belt bearings can be realized in service only when bearings are correctly selected, properly installed, protected and maintained.

The correct selection of Flex-block sleeve bearing mounted units requires that the magnitude and nature of all loads, speeds, alignment, mounting, operating requirements and maintenance be adequately considered. The selection of materials for and design of shafting, fasteners, seals and accessories as well as provisions for installation and maintenance must follow good engineering principles.

Housings should not be used under tension loads except with adequate safety factors. For this reason pillow blocks are best suited to withstand radial loads passing through the base. When heavy loads or shock loads are possible it is most important to mount a unit so that the line of force passes directly into the mounting surface, or so that the unit is directly and substantially supported other than through its mounting bolts. Where the line of force falls outside the mounting surface, serious housing and fastener deflection or failure may occur. Link-Belt Bearing Division, Rexnord Corp. should be consulted where unusual loading conditions exist.

Radial Load Ratings for 10 to 300 RPM (pounds/newtons)*

Shaft Diameter Inches	Basic Bearing Number	Type Bearing Material	Shaft Speed RPM						Short Bearing Factor	
			10 to 25	50	75	100	150	200		300
5/8	3210	T1 T3	586 2 607	586 2 607	586 2 607	586 2 607	476 2 117	357 1 588	238 1 059	...
11/16	3211		296 1 317	296 1 317	296 1 317	296 1 317	240 1 068	180 801	120 534	
3/4	3212	T1 T3	940 4 181	940 4 181	940 4 181	940 4 181	638 2 838	479 2 131	318 1 415	1.25
			470 2 091	470 2 091	470 2 091	470 2 091	318 1 415	240 1 068	159 707	
7/8	3214	T1 T3	985 4 381	985 4 381	985 4 381	860 3 825	572 2 544	430 1 913	286 1 272	...
15/16	3215		493 2 193	493 2 193	493 2 193	430 1 913	287 1 277	215 956	144 641	
1	3216									
1 1/8	3218	T1 T3	1545 6 870	1545 6 870	1400 6 230	1050 4 670	701 3 118	527 2 344	350 1 557	1.22
1 3/16	3219		773 3 438	773 3 438	700 3 114	526 2 340	350 1 557	262 1 165	175 778	
1 1/4	3220	T1 T3	2110 9 390	985 4 381	1720 7 650	1295 5 760	862 3 834	650 2 891	433 1 926	1.42
1 15/16	3221		1055 4 690	493 2 193	860 3 825	646 2 874	430 1 913	323 1 437	215 956	
1 3/8	3222									
1 7/16	3223									
1 1/2	3224	T1 T3	3190 14 900	3190 14 190	2160 9 610	1630 7 250	1090 4 850	815 3 625	545 2 424	1.54
			1595 7 100	1595 7 100	1080 4 800	812 3 612	543 2 415	406 1 806	272 1 210	
1 5/8	3226	T1 T3	3450 15 350	3240 14 410	2160 9 610	1620 7 210	1090 4 850	815 3 625	545 2 424	1.41
1 11/16	3227		1725 7 670	1620 7 210	1080 4 800	812 3 612	543 2 415	406 1 806	272 1 210	
1 3/4	3228									
1 15/16	3231	T1 T3	4360 19 390	3440 15 300	2340 10 410	1720 7 650	1150 5 120	860 3 825	575 2 558	1.39
			2180 9 700	1720 7 650	1170 5 200	860 3 825	575 2 558	430 1 913	288 1 281	
2	3232	T1 T3	4750 21 130	3620 16 100	2420 10 760	1810 8 050	1210 5 380	910 4 048	608 2 705	1.47
2 1/8	3234		2375 10 560	1810 8 050	1210 5 380	908 4 039	606 2 696	454 2 019	303 1 348	
2 3/16	3235									
2 1/4	3236	T1 T3	6050 26 910	4110 18 280	2750 12 200	2050 9 120	1370 6 090	1030 4 580	687 3 056	1.45
2 7/16	3239		3025 13 460	2052 9 130	1375 6 120	1026 4 560	686 3 051	513 2 282	343 1 526	
2 1/2	3240	T1 T3	7500 33 360	4590 20 420	3050 13 570	2290 10 190	1530 6 810	1145 5 090	765 3 403	1.51
2 11/16	3243		3750 16 680	2290 10 190	1530 6 810	1145 5 090	764 3 398	573 2 549	382 1 699	
2 3/4	3244	T1 T3	9120 40 570	5070 22 550	3380 15 030	2530 11 250	1685 7 500	1265 5 630	844 3 754	1.61
2 15/16	3247		4560 20 280	2532 11 260	1690 7 510	1266 5 630	845 3 759	633 2 816	423 1 882	
3 7/16	3255	T1 T3	11500 51 150	5720 25 440	3820 16 990	2880 12 810	1925 8 560	1440 6 410	965 4 293	1.31
			5710 25 410	2860 12 720	1910 8 500	1440 6 410	963 4 284	720 3 203	483 2 148	
3 15/16	3263	T1 T3	15000 66 720	7500 33 360	5000 22 240	3730 16 590	2500 11 120	1870 8 320	1248 5 550	...
			7520 33 450	3750 16 680	2500 11 120	1865 8 300	1250 5 560	935 4 159	625 2 780	

*For speeds slower than 10 RPM or for oscillating shafts, consult Link-Belt Bearing Division, Rexnord Corp.

Radial Load Ratings for 400 to 2500 RPM (pounds/newtons)*

Shaft Diameter Inches	Basic Bearing Number	Type Bearing Material	Shaft Speed RPM												Short Bearing Factor		
			400		500		750		1000		1500		2000			2500	
5/8	3210	{T1	180	801	144	641	96	427	71	316	48	214	36	160	29	129	...
11/16	3211	{T3	90	400	72	320	48	214	36	160	24	107	24	80	15	67	
3/4	3212	{T1	238	1,059	191	850	128	569	96	427	64	285	48	214	38	169	1.25
		{T3	120	534	92	409	63	280	48	214	32	142	24	107	19	84	
7/8	3214	{T1	215	956	175	778	114	507	86	383	57	254	43	191	34	151
15/16	3215	{T3	108	480	86	383	57	254	43	191	29	129	22	98	
1	3216															
1 1/8	3218	{T1	263	1,170	211	939	140	623	105	467	70	311	53	236	42	187	1.22
1 3/16	3219	{T3	131	583	105	467	70	311	53	236	35	156	
1 1/4	3220	{T1	322	1,432	258	1,148	172	765	130	578	86	383	65	289	52	231	1.42
1 15/16	3221	{T3	162	721	130	578	86	383	65	289	43	191	
1 3/8	3222																1.42
1 7/16	3223																1.42
1 1/2	3224	{T1	408	1,815	325	1,446	216	961	163	725	109	485	82	365	65	289	1.54
		{T3	203	903	162	721	109	485	81	360	
1 5/8	3226	{T1	408	1,815	325	1,446	216	961	162	725	109	485	82	365			1.42
1 11/16	3227	{T3	203	903	162	721	109	485	81	360			
1 3/4	3228																1.42
1 15/16	3231	{T1	431	1,917	344	1,530	234	1,041	172	765	115	512					1.39
		{T3	215	956	172	765	115	512					
2	3232	{T1	455	2,024	363	1,615	242	1,076	181	805	125	556					1.47
2 1/8	3234	{T3	227	1,010	182	810	121	538					
2 3/16	3235																1.47
2 1/4	3236	{T1	515	2,291	413	1,837	275	1,223	205	912	137	609					1.45
2 7/16	3239	{T3	257	1,143	205	912	137	609					
2 1/2	3240	{T1	574	2,553	460	2,046	305	1,357	229	1,019							1.51
2 11/16	3243	{T3	287	1,277	229	1,019	153	681							
2 3/4	3244	{T1	635	2,825	507	2,255	338	1,503	253	1,125							1.61
2 15/16	3247	{T3	317	1,410	253	1,125							
3 7/16	3255	{T1	725	3,225	580	2,580	382	1,699	290	1,390							1.31
		{T3	363	1615	290	1,290							
3 15/16	3263	{T1	936	4,164	750	3,336	500	2,224									...
		{T3	468	2,082									

* Load ratings are based on industry standards established by the Mechanical Power Transmission Association.

3200P

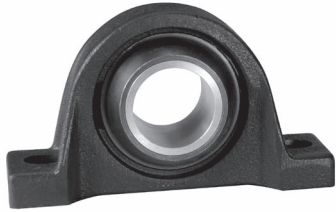
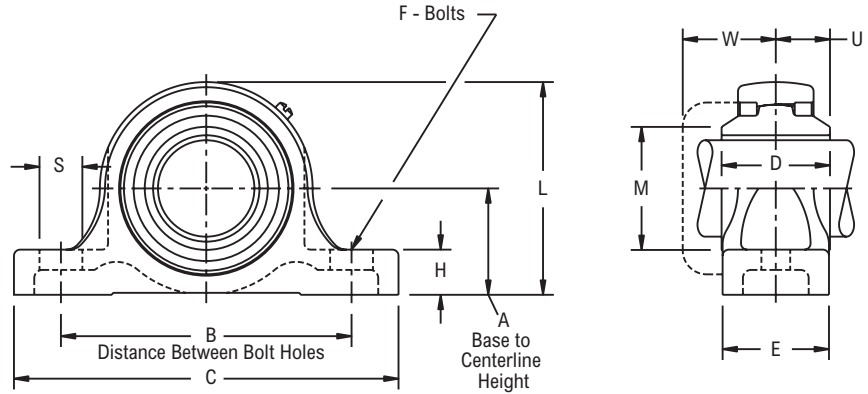


Photo Shows a 2-Bolt Flex Block Sleeve Bearing Pillow Block Unit with Bronze Bushing

Product Features

- Corrosion-resistant powder coating
- Cast iron housing
- T1 sintered bronze sleeve
- T3 carbon graphite sleeve
- 2-bolt base
- Alignable
- See Features & Benefits for additional info.



Bearing Dimensions

Shaft Diameter	Carbon Graphite Self-Lubricating	Porous Sintered Bronze Oil Impregnated	A Base to Centerline Height	B Distance Between Bolt Holes	C	D	E	F	H	L	M	S	U	W	Approx. Weight
	Part Number	Part Number													
5/8	3210PT3	3210PT1	1 3/16	3 1/2	4 5/8	15/16	1 1/2	3/8	1/2	2 11/32	1 1/8	3/4	15/32	1 13/64	1.30
11/16	3211PT3	3211PT1													1.20
3/4	3212PT3	3212PT1	1 5/16	3 7/8	5 1/8	1 1/4	1 1/2	3/8	1/2	2 19/32	1 3/16	11/16	5/8	1 19/64	1.80
7/8	3214PT3	3214PT1													2.10
15/16	3215PT3	3215PT1	1 7/16	4	5 3/8	1 1/8	1 5/8	3/8	9/16	2 7/8	1 9/16	11/16	9/16	1 9/32	2.00
1	3216PT3	3216PT1													1.90
1 1/8	3218PT3	3218PT1	1 11/16	4 5/8	6 5/16	1 3/8	1 3/4	1/2	11/16	3 5/16	1 7/8	15/16	11/16	1 29/64	2.80
1 3/16	3219PT3	3219PT1													2.70
1 1/4	3220PT3	3220PT1													4.50
1 5/16	3221PT3	3221PT1	1 7/8	4 15/16	6 3/8	1 11/16	1 7/8	1/2	13/16	3 11/16	2 1/8	13/16	27/32	1 35/64	4.40
1 3/8	3222PT3	3222PT1													4.30
1 7/16	3223PT3	3223PT1													4.10
1 1/2	3224PT3	3224PT1	2	5 3/8	7 1/16	2 1/8	1 7/8	1/2	13/16	4	2 1/8	15/16	1 1/16	1 41/64	5.30
1 5/8	3226PT3	3226PT1													6.40
1 11/16	3227PT3	3227PT1	2 1/8	5 5/8	7 1/4	2 1/8	2	1/2	13/16	4 5/16	2 7/16	7/8	1 1/16	1 21/32	6.30
1 3/4	3228PT3	3228PT1													6.10
1 15/16	3231PT3	3231PT1	2 1/4	6 3/16	7 7/8	2 1/4	2 1/8	5/8	7/8	4 1/2	2 9/16	15/16	1 1/8	1 25/32	7.20
2	3232PT3	3232PT1													9.20
2 1/8	3234PT3	3234PT1	2 1/2	6 3/4	9 1/16	2 3/8	2 3/8	5/8	1	5	2 7/8	1 5/16	1 3/16	2 1/64	9.00
2 3/16	3235PT3	3235PT1													8.80
2 1/4	3236PT3	3236PT1	2 11/16	7 1/2	9 1/2	2 11/16	2 1/2	5/8	1 1/8	5 7/16	3 1/4	1 1/16	1 11/32	2 7/64	13.40
2 7/16	3239PT3	3239PT1													13.20
2 1/2	3240PT3	3240PT1	3	8 1/8	10 1/2	3	2 7/8	3/4	1 5/16	6	3 9/16	1 3/16	1 1/2	2 1/16	17.10
2 11/16	3243PT3	3243PT1													16.50
2 3/4	3244PT3	3244PT1	3 1/4	8 7/8	11 3/4	3 5/16	3 1/4	3/4	1 3/8	6 1/2	3 3/4	1 5/16	1 21/32	2 7/32	22.50
2 15/16	3247PT3	3247PT1													21.90
3 7/16	3255PT3	3255PT1	3 3/4	10	13	3 3/4	3 1/2	7/8	1 5/8	7 7/8	4 7/16	1 5/8	1 7/8	2 1/2	32.50
3 15/16	3263PT3	3263PT1	4 7/16	11 7/8	15 1/4	4 15/16	4 3/8	7/8	1 13/16	8 15/16	4 7/8	1 7/8	2 15/32	3 1/64	59.70

Additional Notes

- Please call 1-866-REXNORD for availability
- For replacement insert number, omit housing suffix designation, i.e. 3210T1
- For the Selection Guide, Load Ratings and Speed Limits, see the Link-Belt Flex-block Bearing Engineering section
- Note: Dimensions subject to change. Certified dimensions of ordered material furnished on request.

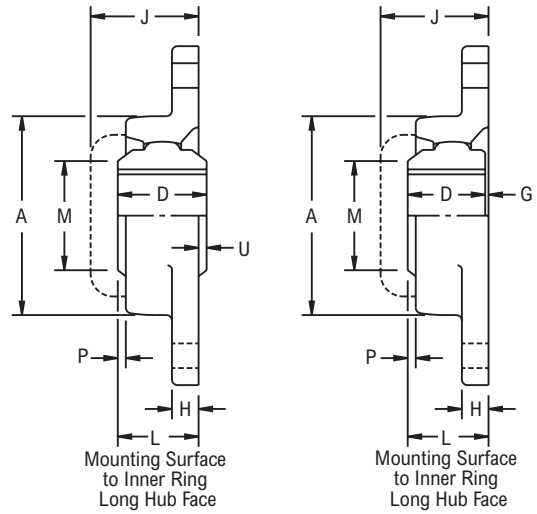
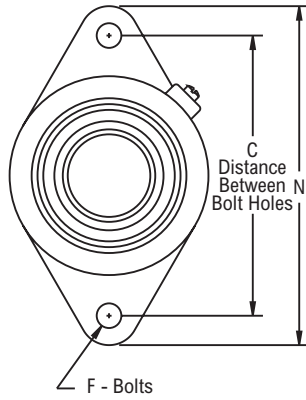
3200FX



Photo Shows a 2-Bolt Flex Block Sleeve Bearing Flanged Unit with Graphite Bushing

Product Features

- Corrosion-resistant powder coating
- Cast iron housing
- T1 sintered bronze sleeve
- T3 carbon graphite sleeve
- 2-bolt mounting
- Alignable
- See Features & Benefits for additional info.



Bearing Dimensions

Shaft Diameter	Carb on Graphite Self-Lubricating	Porous Sintered Bronze Oil Impregnated	C Distance Between Bolt Holes	L Mounting Surface to Inner Ring Long Hub Face	A	D Reg	D Short	F	G	H	J	M	N	P	U	Approx. Weight
	Part Number	Part Number														
5/8	3210FXT3	3210FXT1	3	1 7/64	2 1/8	15/16	-	3/8	17/64	1/2	1 25/32	1 1/8	3 7/8	7/64	-	1.00
11/16	3211FXT3	3211FXT1														0.90
3/4	3212FXT3	3212FXT1	3 17/32	1 23/64	2 7/16	1 1/4	1 1/8	3/8	1/4	9/16	2 1/64	1 3/16	4 13/32	5/32	-	1.20
7/8	3214FXT3	3214FXT1														1.70
15/16	3215FXT3	3215FXT1	3 57/64	1 5/16	2 11/16	1 1/8	-	7/16	3/16	19/32	2	1 9/16	4 29/32	1/16	-	1.60
1	3216FXT3	3216FXT1														1.50
1 1/8	3218FXT3	3218FXT1	4 19/32	1 15/32	3 3/16	1 3/8	1 1/4	7/16	7/32	19/32	2 15/64	1 7/8	5 19/32	5/32	-	2.50
1 3/16	3219FXT3	3219FXT1														2.30
1 1/4	3220FXT3	3220FXT1	5 1/8	1 21/32	3 5/8	1 11/16	1 1/2	1/2	5/32	5/8	2 23/64	2 1/8	6 1/8	1/4	1/32	3.70
1 5/16	3221FXT3	3221FXT1														3.60
1 3/8	3222FXT3	3222FXT1	5 1/8	1 21/32	3 5/8	1 11/16	1 1/2	1/2	5/32	5/8	2 23/64	2 1/8	6 1/8	1/4	1/32	3.50
1 7/16	3223FXT3	3223FXT1														3.30
1 1/2	3224FXT3	3224FXT1	5 21/32	1 31/32	4	2 1/8	1 3/4	1/2	5/32	5/8	2 35/64	2 1/8	6 25/32	25/64	5/32	4.90
1 5/8	3226FXT3	3226FXT1														6.20
1 11/16	3227FXT3	3227FXT1	5 27/32	1 31/32	4 1/4	2 1/8	1 13/16	1/2	5/32	5/8	2 9/16	2 7/16	7 3/32	3/8	5/32	6.00
1 3/4	3228FXT3	3228FXT1														5.90

Additional Notes

- Please call 1-866-REXNORD for availability
- For replacement insert number, omit housing suffix designation, i.e. 3210T1
- For short sleeves, add suffix "S", i.e. 3220FXT1S
- For the Selection Guide, Load Ratings and Speed Limits, see the Link-Belt Flex-block Bearing Engineering section
- Note: Dimensions subject to change. Certified dimensions of ordered material furnished on request.

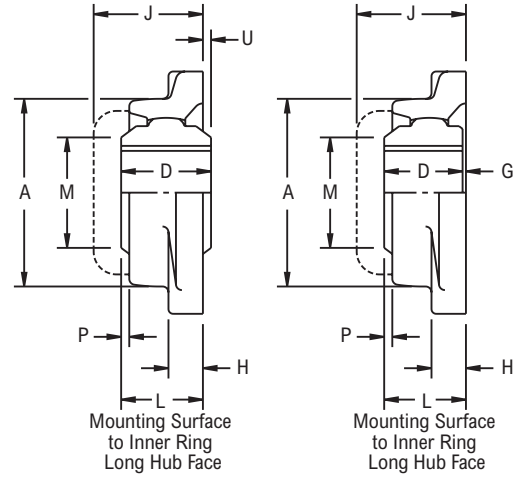
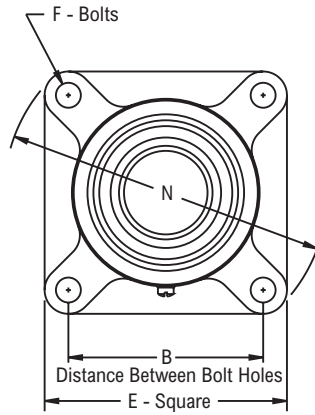
3200F



Photo Shows a 4-Bolt Flex Block Sleeve Bearing Flanged Unit with Graphite Bushing

Product Features

- Corrosion-resistant powder coating
- Cast iron housing
- T1 sintered bronze sleeve
- T3 carbon graphite sleeve
- 4-bolt mounting
- Alignable
- See Features & Benefits for additional info.



Bearing Dimensions

Shaft Diameter	Carbon Graphite Self-Lubricating	Porous Sintered Bronze Oil Impregnated	B Distance Between Bolt Holes	L Mounting Surface to Inner Ring Long Hub Face	A	D Reg	D Short	E	F	G	H	J	M	N	P	U	Approx. Weight
	Part Number	Part Number															
5/8	3210FT3	3210FT1	2 1/8	1 7/64	2 1/8	15/16	-	3	3/8	17/64	1/2	1 25/32	1 1/8	3 7/8	7/64	-	1.20
11/16	3211FT3	3211FT1															1.10
3/4	3212FT3	3212FT1	2 1/2	1 23/64	2 7/16	1 1/4	1 1/8	3 3/8	3/8	1/4	9/16	2 1/64	1 3/16	4 13/32	5/32	-	1.50
7/8	3214FT3	3214FT1															2.10
15/16	3215FT3	3215FT1	2 3/4	1 5/16	2 11/16	1 1/8	-	3 3/4	7/16	3/16	19/32	2	1 9/16	4 29/32	1/16	-	2.00
1	3216FT3	3216FT1															1.90
1 1/8	3218FT3	3218FT1	3 1/4	1 15/32	3 3/16	1 3/8	1 1/4	4 1/4	7/16	7/32	19/32	2 15/64	1 7/8	5 19/32	5/32	-	3.20
1 3/16	3219FT3	3219FT1															2.90
1 1/4	3220FT3	3220FT1	3 5/8	1 21/32	3 5/8	1 11/16	1 1/2	4 5/8	1/2	5/32	5/8	2 23/64	2 1/8	6 1/8	1/4	1/32	4.50
1 5/16	3221FT3	3221FT1															4.40
1 3/8	3222FT3	3222FT1															4.30
1 7/16	3223FT3	3223FT1															4.10
1 1/2	3224FT3	3224FT1															5.60
1 5/8	3226FT3	3226FT1	4 1/8	1 31/32	4 1/4	2 1/8	1 13/16	5 3/8	1/2	5/32	5/8	2 9/16	2 7/16	7 3/32	3/8	5/32	7.10
1 11/16	3227FT3	3227FT1															6.80
1 3/4	3228FT3	3228FT1															6.70
1 15/16	3231FT3	3231FT1	4 3/8	2 5/32	4 1/2	2 1/4	1 15/16	5 5/8	1/2	7/32	3/4	2 13/16	2 9/16	7 7/16	27/64	3/32	7.80
2	3232FT3	3232FT1															10.00
2 1/8	3234FT3	3234FT1	5 1/8	2 11/32	4 15/16	2 3/8	2	6 3/8	5/8	11/32	29/32	3 11/64	2 7/8	8 1/2	13/32	1/32	9.80
2 3/16	3235FT3	3235FT1															9.50
2 1/4	3236FT3	3236FT1	5 5/8	2 5/8	5 3/8	2 11/16	2 1/4	6 7/8	5/8	3/8	15/16	3 25/64	3 1/4	9 7/32	27/64	1/16	12.80
2 7/16	3239FT3	3239FT1															12.60
2 1/2	3240FT3	3240FT1	5 7/8	2 19/32	5 7/8	3	2 1/2	7 3/8	5/8	3/32	3/4	3 5/32	3 9/16	9 13/16	7/16	13/32	16.60
2 11/16	3243FT3	3243FT1															15.90
2 3/4	3244FT3	3244FT1	6	2 13/16	6 3/8	3 5/16	2 11/16	7 3/4	3/4	1/8	3/4	3 3/8	3 3/4	10 1/4	17/32	1/2	20.40
2 15/16	3247FT3	3247FT1															19.80
3 7/16	3255FT3	3255FT1	6 3/4	3 13/32	7 1/2	3 3/4	3 5/16	8 9/16	3/4	3/32	1	4 1/32	4 7/16	11 3/8	1/2	11 1/32	29.50

Additional Notes

- Please call 1-866-REXNORD for availability
- For replacement insert number, omit housing suffix designation, i.e. 3210T1
- For short sleeves, add suffix "S", i.e. 3220FT1S
- For the Selection Guide, Load Ratings and Speed Limits, see the Link-Belt Flex-block Bearing Engineering section
- Note: Dimensions subject to change. Certified dimensions of ordered material furnished on request.

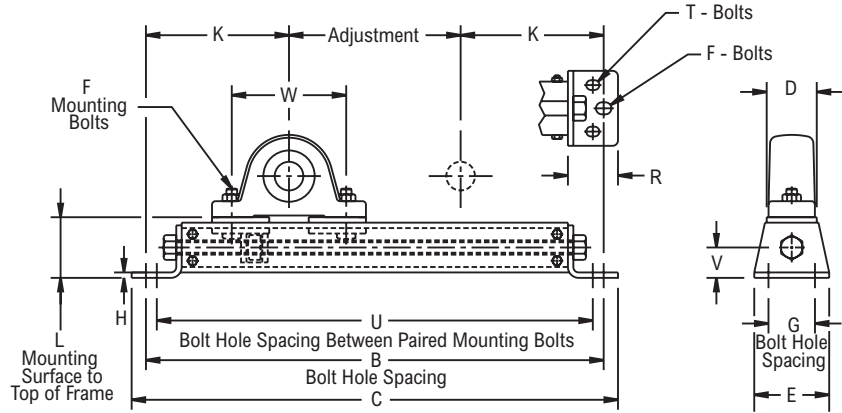
LC



Photo Shows a Light Duty Conveyor Take-Up Frame

Product Features

- Bolted steel frames
- 2 or 4-bolt frame mounting
- Bolt hole centers adjustable
- Pillow blocks not included
- See Features & Benefits for additional info.

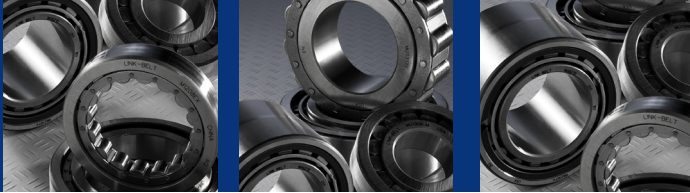


Bearing Dimensions

Size Code	Adjust. Length	Part Number	Bolt Hole Spacing			L Mounting Surface to Top of Frame	C	D	E	F	H	K	R	T	V	W min	W max	Approx. Weight	
			B Frame	G Width Direction	U Between Pairs														
205	6	LC16	16	1 5/8	15 1/4	2 1/8	17	1 3/4	2 5/8	3/8	3/16	5	1 3/4	5/16	1 1/16	3	5 15/16	9	5.25
	9	LC19	19		18 1/4		20												6.30
	12	LC112	22		21 1/4		23												6.60
210	6	LC26	19 1/8	2 1/8	18 1/8	2 11/16	20 1/4	2 3/8	3 1/8	1/2	1/4	6 9/16	2 3/16	3/8	1 11/32	3 3/4	7 1/4	10	10.00
	9	LC29	22 1/8		21 1/8		23 1/4												10.20
	12	LC212	25 1/8		24 1/8		26 1/4												11.50
	18	LC218	31 1/8		30 1/8		32 1/4												13.80
211/212	9	LC39	25 5/16	2 3/4	24 1/16	3 5/16	26 9/16	3	4	5/8	5/16	8 5/32	2 3/4	1/2	1 5/8	4 1/4	9	20	20.40
	12	LC312	28 5/16		27 1/16		29 9/16												22.25
	18	LC318	34 5/16		33 1/16		35 9/16												26.50
	24	LC324	40 5/16		39 1/16		41 9/16												33.00

Additional Notes

Please call 1-866-REXNORD for availability
 For pillow block dimensions, see Pillow Block Ball Bearing section
 Note: Dimensions subject to change. Certified dimensions of ordered material furnished on request.



Industries Served
Heavy-Duty Truck
Fluid Handling
Off-Highway Vehicles
Military
Oil/Natural Gas
Steel

Link-Belt Series M1000, 1200, 1300, 1900, 5200, 5300, 6200, 7300 Cylindrical Roller Bearings

Metric series cylindrical roller bearings are manufactured to ABMA boundary dimensions. These bearings require minimum space and provide maximum rated capacity. Various configurations including separable inner or outer ring combinations offer ample application flexibility.



High Quality Rings

Rings of high quality bearing steel for strength, toughness and durability.

Microfinished Raceways Assure Smooth Operations

Optimized Raceway Contact Area

Exclusive honed crown on roller profile for optimized raceway contact area and high capacity.

Positive Roller Spacing

- Structural design segmented retainer provides high strength, positive roller spacing and guidance.
- One-piece formed Steel Retainer provides positive roller spacing and controlled roller guidance.

Polymeric Retainer

Polymeric retainer of glass fiber reinforced nylon 6/6 provides full roller guidance, superior lubrication and reduced noise.

Segmented Retainers

Rigid structural design segmented Steel Retainer provides high strength, positive roller spacing and guidance.

All contact surfaces are contoured to minimize the wiping action between retainer segments and rollers, assuring full roller lubrication. Precision spacer segments contact the rollers above and below pitch diameter resulting in low friction loss and positive roller control.



Polymeric Retainers

Made of glass fiber reinforced nylon 6/6, molded polymeric retainers provide close control of roller "drop," low noise, full roller guidance and superior lubrication, at a competitive price.

Extensive testing has established compatibility with a broad range of standard lubricants and satisfactory operation at sustained temperatures to 275°F.



Formed Steel Retainers

One-piece deep coined formed Steel Retainer combines strength with positive roller spacing and roller guidance.

The retainer guides the rollers below the pitch line and provides control of roller drop. Line contact of rollers on guidance surfaces minimizes wiping action and promotes hydrodynamic lubrication.



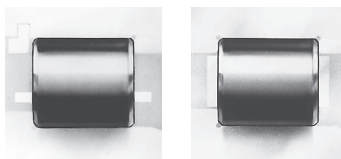
Optional Series and Configurations

Series M cylindrical roller bearings are available in seven series with segmented retainers, five series with formed Steel Retainers, several series with polymeric retainers, and five series of the full roller complement type. Various configurations, including separable inner or outer ring combinations are offered.



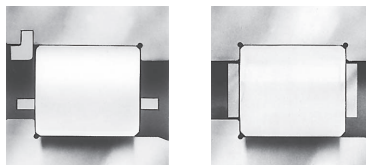
Rollers

Exclusively crowned honed rollers provide optimized contact at the raceway. This assures efficient bearing performance under load, provides controlled stress distribution under all loads within the design capacity and compensates for shaft deflection.



Rings

Rings are manufactured from high quality bearing steel to enhance fatigue resistance, strength, toughness and hardenability.



Bearings and ring and roller assemblies for omitted-ring applications are ABMA standard boundary plan for bore, outside diameter, and width... standard tolerances are RBEC-1. Precision tolerances to RBEC-5 are available.

Nomenclature

Symbol	Description	M	A	1	2	05	GEA	X	C0	
M	Metric series designation									
A	Plain cylindrical inner ring									
R	Single rib inner ring									
SN	Short, single rib w/inner ring side plate									
U	Double rib inner ring									
S	Metric bore size of next smaller bearing									
None	Standard capacity									
6	High capacity series									
1	Narrow width									
5	Wide width									
7	Intermediate width									
0	Extra light series									
2	Light series									
3	Medium series									
9	Extra extra light series									
05	One-fifth of bore diameter (mm)									
G	Snap ring groove in outer ring O.D.									
GG	Two snap ring grooves in outer ring O.D.									
R	Snap ring groove in outer ring O.D. snap ring included									
RR	Two snap ring grooves in outer ring O.D.; snap rings included									
C	Plain cylindrical outer ring									
D	Single rib outer ring									
E	Double rib outer ring									
SN	Short single rib w/outer ring side plate									
T	Outer ring w/two retaining rings in I.D.									
U	Single rib outer ring, one retaining ring in I.D.									
A	Oversize O.D. outer ring									
H	Blind dowel hole in outer ring O.D.									
X	Segmented retainer									
M	Full complement (no retainer)									
V	Formed Steel Retainer									
B	Polymeric retainer									
Wxxx	This suffix specifies special bearing features									
None	Standard commercial clearance									
C2	Less than basic clearance									
C0	Basic clearance									
C3	Greater than basic clearance									
C4	Greater than C3 clearance									
C5	Greater than standard clearance (STANDARD FOR ASSEMBLY WITH "A" OUTER RING AND OMITTED IN MODEL NUMBER)									
Cxxx	Special specific clearance or range—i.e./C002 or/C35-49 or C3549									

Cylindrical Roller Bearings Selection Guide

To select a bearing, determine the applied radial load, any applied thrust load, the desired Rating Life, and applicable operating conditions. The procedure shown here will aid in selecting a bearing to meet an L₁₀ design life. The formulas for calculating life expectancy should be used to determine the Rating Life L₁₀ for the bearing selected. Cylindrical roller bearings are available in various series with cylindrical bores for direct shaft mounting.

Bearings in several series may fulfill the L₁₀ life requirements. Speed limits, minimum shaft diameters, arrangement requirements and space limitations may be determining factors in final bearing selection. The selection procedures and rating formulas shown here are in agreement with The American Bearing Manufacturers Association Standards and ANSI/ABMA STD 11. Ratings are based on fatigue life. The Rating Life L₁₀ or fatigue life at 90% reliability is the usual basis for bearing selection. Cylindrical roller bearings are essentially radial bearings. Nevertheless those styles where integral ribs are in the proper location

on inner and outer rings will also support thrust loading. In fact, most such styles do support incidental, axial locating loads. Whenever applied thrust loading is known to exist, the guidelines given for Thrust Loads on the next page must be carefully followed.

Selection and life expectancy formulas shown here are also valid for inner ring and roller assemblies and for outer ring and roller assemblies provided they are run directly on bearing quality steel shafts or housings properly hardened and ground. To assure a satisfactory bearing application, fitting practice, mounting, lubrication, sealing, static rating, housing strength, operating conditions and maintenance must be considered.

Steps for Selection

Step 1

Determine an appropriate L₁₀ design life.

Type of service	Operating time, hours per year	Design life, years	L ₁₀ design life, hours
Light seasonal usage	500 to 750	3-5	3,000
Heavy seasonal usage	1,400 to 1,600	4-6	8,000
Industrial—8 hour shift	2,000	10	20,000
Industrial—16 hour shift	4,000	10	40,000
Industrial—continuous	8,700	10	80,000 to 100,000
Continuous—high reliability	—	—	120,000 to 300,000

Step 2

Determine a required $\left(\frac{C}{P}\right)$ from Table 1.

Step 3

Calculate the required C and select a cylindrical roller bearing.

$$P = F_r$$

required $C = \left(\frac{C}{P}\right)P$ using $\left(\frac{C}{P}\right)$ from Step 2.

Select a cylindrical roller bearing of the desired type having a Basic Load Rating C equal to or greater than the required C from the appropriate series. The life expectancy of other sizes and series of cylindrical roller bearings can be calculated. When thrust load is present, check the individual bearing thrust capacity and follow the requirements for lubrication under thrust conditions.

Step 4

Determine the permissible speed limit of the bearing through the following procedure:

Permissible speed limits are of practical value only when considered with other factors of bearing operation. Not every application functions satisfactorily at the listed speeds. Load, lubrication, and temperature factors influence the performance. Bearing operation at the listed speed limit demands excellent lubrication, moderate load, and reasonable temperature environment.

Permissible speed can be approximated from the limiting DN value, which is the product of the bearing bore in millimeters and the speed in RPM. The DN values shown below are nominal. For higher permissible speeds, consult Rexnord Bearing Division.

Bearing series	Limit of DN Value*
DN value = Bearing bore (mm) x speed (RPM)	
Series 1900, 1000, 1200, 1300 & 7300	
with segmented or polymeric retainer	450,000
with formed Steel Retainer	250,000
Series 5200, 6200, and 5300	
with segmented or polymeric retainer (5200, 5300 only)	330,000
with formed Steel Retainer	180,000
Full complement	150,000

*These values assume oil lubrication

Selection

Symbols for formulas:

- C = Basic Load Rating, pounds (or newtons)
- Co = static Load Rating, pounds (or newtons)
- Fr = radial load, pounds (or newtons)
- L10 = rating life, hours
- n = speed, revolutions per minute
- P = equivalent radial load, pounds (or newtons)

Table 1 • Relation of L₁₀ life and speed to $\left(\frac{C}{P}\right)$

Bearing life hours L ₁₀	Ratio $\left(\frac{C}{P}\right)$									
	Speed, n									
	50	100	200	300	400	500	600	700	800	
3000	1.93	2.38	2.93	3.31	3.61	3.86	4.07	4.27	4.44	
4000	2.11	2.59	3.19	3.61	3.93	4.20	4.44	4.65	4.84	
5000	2.25	2.77	3.42	3.86	4.20	4.50	4.75	4.97	5.18	
6000	2.38	2.93	3.61	4.07	4.44	4.75	5.02	5.25	5.47	
8000	2.59	3.19	3.93	4.44	4.84	5.18	5.47	5.73	5.96	
10000	2.77	3.42	4.20	4.75	5.18	5.54	5.85	6.12	6.37	
12000	2.93	3.61	4.44	5.02	5.47	5.85	6.18	6.47	6.73	
14000	3.07	3.78	4.65	5.25	5.73	6.12	6.47	6.77	7.05	
16000	3.19	3.93	4.84	5.47	5.96	6.37	6.73	7.05	7.34	
18000	3.31	4.07	5.02	5.66	6.18	6.60	6.97	7.30	7.60	
20000	3.42	4.20	5.18	5.85	6.37	6.81	7.20	7.54	7.85	
25000	3.65	4.50	5.54	6.25	6.81	7.29	7.70	8.06	8.39	
30000	3.86	4.75	5.85	6.60	7.20	7.70	8.13	8.51	8.86	
35000	4.04	4.97	6.12	6.92	7.54	8.06	8.51	8.92	9.28	
40000	4.20	5.18	6.37	7.20	7.85	8.39	8.86	9.28	9.66	
45000	4.36	5.36	6.60	7.46	8.13	8.69	9.18	9.61	10.00	
50000	4.50	5.54	6.81	7.70	8.39	8.97	9.48	9.92	10.30	
60000	4.75	5.85	7.20	8.13	8.86	9.48	10.00	10.5	10.90	
70000	4.97	6.12	7.54	8.51	9.28	9.92	10.50	11.00	11.40	
80000	5.18	6.37	7.85	8.86	9.66	10.30	10.90	11.40	11.90	
90000	5.36	6.60	8.13	9.18	10.00	10.70	11.30	11.80	12.30	
100000	5.54	6.81	8.39	9.48	10.30	11.00	11.70	12.20	12.70	
150000	6.25	7.70	9.48	10.70	11.70	12.50	13.20	13.80	14.40	
200000	6.81	8.39	10.30	11.70	12.70	13.60	14.40	15.00	15.70	
	Speed, n									
	900	1000	1200	1500	1800	2400	3000	3600	6000	
3000	4.60	4.75	5.02	5.36	5.66	6.18	6.60	6.97	8.13	
4000	5.02	5.18	5.47	5.85	6.18	6.73	7.20	7.60	8.86	
5000	5.36	5.54	5.85	6.25	6.60	7.20	7.70	8.13	9.48	
6000	5.66	5.85	6.18	6.60	6.97	7.60	8.13	8.59	10.00	
8000	6.18	6.37	6.73	7.20	7.60	8.29	8.86	9.36	10.90	
10000	6.60	6.81	7.20	7.70	8.13	8.86	9.48	10.00	11.70	
12000	6.97	7.20	7.60	8.13	8.59	9.36	10.00	10.60	12.30	
14000	7.30	7.54	7.96	8.51	8.99	9.80	10.50	11.10	12.90	
16000	7.60	7.85	8.29	8.86	9.36	10.20	10.90	11.50	13.40	
18000	7.88	8.13	8.59	9.18	9.70	10.60	11.30	11.90	13.90	
20000	8.13	8.39	8.86	9.48	10.00	10.90	11.70	12.30	14.40	
25000	8.69	8.97	9.48	10.10	10.70	11.70	12.50	13.20	15.40	
30000	9.18	9.48	10.00	10.70	11.30	12.30	13.20	13.90	16.20	
35000	9.61	9.92	10.50	11.20	11.80	12.90	13.80	14.60	17.00	
40000	10.00	10.30	10.90	11.70	12.30	13.40	14.40	15.20	17.70	
45000	10.40	10.70	11.30	12.10	12.80	13.90	14.90	15.70	18.30	
50000	10.70	11.00	11.70	12.50	13.20	14.40	15.40	16.20	18.90	
60000	11.30	11.70	12.30	13.20	13.90	15.20	16.20	17.10	20.00	
70000	11.80	12.20	12.90	13.80	14.60	15.90	17.00	17.90	20.90	
80000	12.30	12.70	13.40	14.40	15.20	16.50	17.70	18.70	21.80	
90000	12.80	13.20	13.90	14.90	15.70	17.10	18.30	19.40	22.60	
100000	13.20	13.60	14.40	15.40	16.20	17.70	18.90	20.00	23.30	
150000	14.90	15.40	16.20	17.30	18.30	20.00	21.40	22.60	26.30	
200000	16.20	16.70	17.70	18.90	20.00	21.80	23.30	24.60	28.70	

Basic Formulas

$$\left(\frac{C}{P}\right) = \left(\frac{L_{10} \times n \times 60}{1,000,000}\right)^{3/10}$$

$$L_{10} = \frac{\left(\frac{C}{P}\right)^{10/3} \times 1,000,000}{n \times 60}$$

Life Expectancy

To calculate the Rating Life L₁₀ of any pair of selected or trial bearings:

Step 1

Determine the equivalent radial load P.

$$P = F_r$$

Step 2 Calculate the ratio of the bearing Basic Load Rating C to the equivalent radial load.

$$\frac{C}{P}$$

Step 3

Approximate the bearing life from Table 1.

Thrust Loads

The integral guiding ribs on standard cylindrical roller bearing inner and outer rings will support limited thrust loads. In addition, special tolerances and processing can be used to substantially increase axial load capacity. In either case, excellent lubrication (preferably with an EP lubricant) and a stabilizing radial load are required. For standard bearings, the allowable thrust load is estimated as

$$TM = \frac{C_A}{3n^{0.3}}$$

- where TM Maximum allowable thrust load, pounds (or newtons)
- C_A Load rating C (pounds or newtons) of the narrowest series for the given annulus (O.D. and bore) at 33 1/3 RPM and 500L₁₀ hours.
- n Operating speed, RPM

In addition, the thrust load should be no greater than 25% of the radial load. Where application conditions exceed either of these limits, Rexnord Bearing Division should be consulted.

Life Adjustment

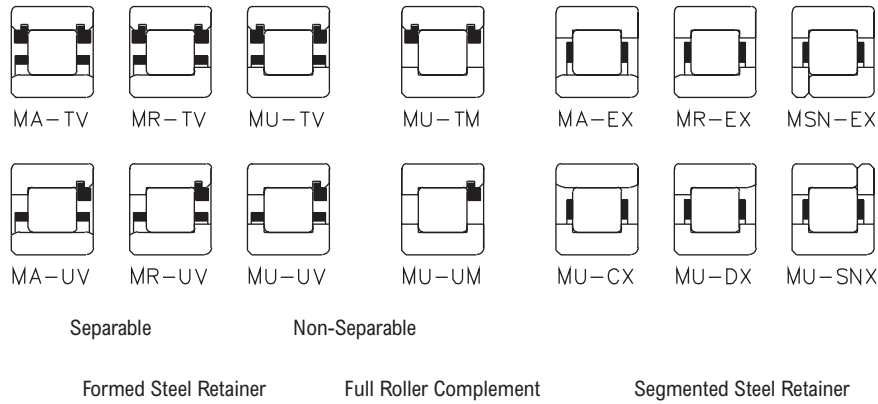
The Rating Life, L₁₀, may be modified for some applications in accordance with the formula

$$L_n = a_1 a_2 a_3 L_{10}$$

- where L_n = Adjusted life for (100-n) % reliability
- a₁ = Life adjustment factor for reliability
- a₂ = Life adjustment factor for material and processing
- a₃ = Life adjustment factor for operating conditions.

For most normal applications, all factors will be taken as 1, and the Rating Life used as the selection basis or life estimate. In addition, as long as standard catalog bearings are used, a₂ will be normally set equal to one. The factor a₃ covers such things as lubrication, misalignment, and temperature. Some conditions that could yield a₃ significantly different than unity include speeds less than 20000 DN or greater than 200000 DN, temperatures below -40°F (-40°C) or above 275°F (135°C), or misalignment greater than 0.0005 radians. For other possible conditions, as well as additional information on life adjustment factors, consult Rexnord Bearing Division.

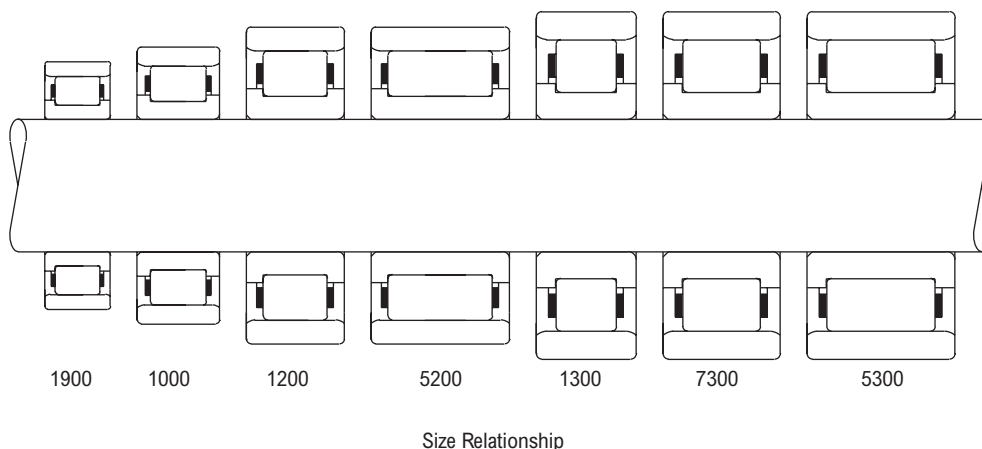
Ratings 25mm, 30mm, 35mm, 40mm Bores



pounds/newtons

Basic bearing number	Formed Steel Retainer						Segmented Steel Retainer			Full Roller Complement		
	Separable			Non-separable			C Basic Load Rating	Bearing Capacity 500 RPM, 3000 Hrs. L10	Co Basic Static Load Rating	C Basic Load Rating	Bearing Capacity 500 RPM, 3000 Hrs. L10	Co Basic Static Load Rating
	C Basic Load Rating	Bearing Capacity 500 RPM, 3000 Hrs. L10	Co Basic Static Load Rating	C Basic Load Rating	Bearing Capacity 500 RPM, 3000 Hrs. L10	Co Basic Static Load Rating						
1205	4330	1120	5220	5280	1370	5220	6170	1600	6430	7020	1820	7630
	19200	4980	23200	23500	6080	23200	27500	7110	28600	31200	8090	33900
5205	5930	1540	7830	7240	1880	7830	8460	2190	9640	9620	2490	11400
	26400	6830	34800	32200	8340	34800	37600	9750	42900	42800	11100	50900
1305	6310	1630	6690	7710	2000	6690	8840	2290	8030	9920	2570	9370
	28100	7270	29800	34300	8880	29800	39300	10200	35700	44100	11400	41700
7305	8070	2090	9180	9850	2550	9180	11300	2930	11000	12700	3280	12800
	35900	9300	40800	43800	11400	40800	50200	13000	49000	56400	14600	57100
5305	9720	2520	11700	11900	3070	11700	13600	3530	14000	15300	3960	16300
	43200	11200	51900	52800	13700	51900	60500	15700	62300	68100	17600	72500
1206	5990	1550	7170	7320	1900	7170	8150	2110	8270	9340	2420	9930
	26700	6910	31900	32600	8430	31900	36200	9390	36800	41600	10800	44200
5206	9040	2340	12200	11000	2860	12200	12300	3180	14000	14100	3650	16800
	40200	10400	54100	49100	12700	54100	54700	14200	62500	62700	16200	74900
1306	7970	2060	9270	9730	2520	9270	10300	2680	10000	12100	3130	12400
	35400	9180	41200	43300	11200	41200	45900	11900	44700	53700	13900	55000
7306	10500	2720	13200	12800	3320	13200	13600	3530	14400	15900	4130	17700
	46800	12100	58900	57100	14800	58900	60600	15700	63800	70700	18400	78700
5306	12800	3320	17100	15700	4060	17100	16600	4310	18500	19400	5030	22800
	57000	14800	76100	69600	18000	76100	74000	19200	82400	86400	22400	101000
1207	6840	1770	8030	8350	2160	8030	9290	2410	9270	10700	2760	11100
	30400	7870	35700	37100	9610	35700	41300	10700	41200	47400	12300	49500
5207	11300	2920	15300	13800	3570	15300	15300	3970	17700	17600	4560	21200
	50200	13000	68100	61300	15900	68100	68300	17700	78600	78300	20300	94300
1307	9840	2550	12000	12000	3110	12000	13500	3490	14000	15600	4040	17000
	43800	11300	53400	53400	13800	53400	60000	15500	62400	69400	18000	75700
7307	13800	3580	18700	16900	4380	18700	17900	4630	20100	20700	5350	24400
	61500	15900	83100	75100	19500	83100	79400	20600	89500	91900	23800	109000
5307	15900	4120	22400	19400	5030	22400	20500	5320	24100	23800	6150	29200
	70800	18300	99400	86400	22400	99400	91400	23700	107000	106000	27400	130000
1208	8270	2140	10200	10100	2620	10200	11200	2890	11600	12700	3290	13800
	36800	9530	45300	44900	11600	45300	49700	12900	51800	56500	14600	61500
5208	14300	3710	20700	17500	4530	20700	19400	5010	23600	22000	5700	28000
	63800	16500	91900	77900	20200	91900	86100	22300	105000	97900	25400	125000
1308	12600	3260	15200	15400	3980	15200	16300	4230	16400	19100	4940	20200
	56000	14500	67500	68400	17700	67500	72600	18800	73100	84800	22000	90000
7308	17900	4630	23800	21800	5660	23800	23200	6010	25800	27100	7020	31800
	79600	20600	106000	97200	25200	106000	103000	26700	115000	121000	31200	141000
5308	20000	5190	27600	24500	6330	27600	26000	6720	29900	30300	7860	36800
	89100	23100	123000	109000	28200	123000	115000	29900	133000	135000	35000	163000

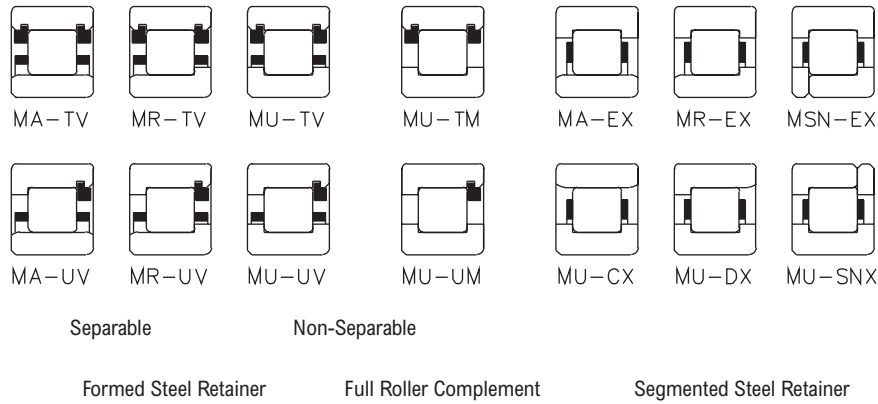
Ratings 45mm, 50mm, 55mm Bores



pounds/newtons

Basic bearing number	Formed Steel Retainer						Segmented Steel Retainer			Full Roller Complement		
	Separable			Non-separable			C Basic Load Rating	Bearing Capacity 500 RPM, 3000 Hrs. L ₁₀	Co Basic Static Load Rating	C Basic Load Rating	Bearing Capacity 500 RPM, 3000 Hrs. L ₁₀	Co Basic Static Load Rating
	C Basic Load Rating	Bearing Capacity 500 RPM, 3000 Hrs. L ₁₀	Co Basic Static Load Rating	C Basic Load Rating	Bearing Capacity 500 RPM, 3000 Hrs. L ₁₀	Co Basic Static Load Rating						
1209	9670	2500	12900	11800	3060	12900	12900	3340	14500	14500	3750	16900
	43000	11100	57300	52500	13600	57300	57400	14900	64500	64400	16700	75200
5209	15600	4030	23800	19000	4920	23800	20800	5380	26700	23300	6040	31200
	69200	17900	106000	84500	21900	106000	92300	23900	119000	104000	26800	139000
1309	15900	4120	20400	19400	5040	20400	20600	5320	22000	23800	6160	26700
	70800	18300	90900	86500	22400	90900	91400	23700	97900	106000	27400	119000
7309	20300	5260	28000	24800	6430	28000	26200	6790	30100	30300	7860	36600
	90400	23400	124000	110000	28600	124000	117000	30200	134000	135000	35000	163000
5309	24800	6440	36200	30300	7860	36200	32100	8310	39000	37100	9610	47400
	111000	28600	161000	135000	35000	161000	143000	37000	174000	165000	42700	211000
1010	8840	2290	11100
	39300	10200	49400
1210	9830	2550	13600	12000	3110	13600	13000	3380	15200	15100	3900	18400
	43700	11300	60600	53400	13800	60600	58000	15000	67700	67000	17300	82000
5210	15800	4100	25100	19300	5000	25100	21000	5440	28100	24200	6280	34000
	70400	18200	112000	85900	22300	112000	93400	24200	125000	108000	27900	151000
1310	18600	4810	24000	22700	5870	24000	23900	6200	25900	27700	7170	31400
	82500	21400	107000	101000	26100	107000	107000	27600	115000	123000	31900	140000
7310	24000	6220	33500	29300	7590	33500	31000	8030	36000	35900	9290	43800
	107000	27700	149000	130000	33800	149000	138000	35700	160000	159000	41300	195000
5310	29300	7600	43300	35800	9280	43300	37900	9810	46600	43800	11300	56600
	131000	33800	193000	159000	41300	193000	169000	43600	207000	195000	50500	252000
1911	6960	1800	9570
	31000	8020	42600
1011	11200	2890	14300
	49800	12900	63400
1211	11700	3040	16400	1430	3710	16400	15600	4030	18400	18000	4650	22300
	52200	13500	73200	63700	16500	73200	69200	17900	81800	79900	20700	99000
5211	19200	4960	30900	23400	6060	30900	25400	6590	34600	29400	7600	41900
	85300	22100	138000	104000	27000	138000	113000	29300	154000	131000	33800	186000
1311	21900	5680	28800	26800	6930	28800	26800	6930	28800	31000	8020	35000
	97500	25300	128000	119000	30800	128000	119000	30800	128000	138000	35700	156000
7311	29300	7590	41800	35800	9270	41800	35800	9270	41800	41400	10700	50800
	130000	33800	186000	159000	41200	186000	159000	41200	186000	184000	47700	226000
5311	38100	9860	58600	46500	12000	58600	46500	12000	58600	53800	13900	71100
	169000	43900	260000	207000	53500	260000	207000	53500	260000	239000	61900	316000

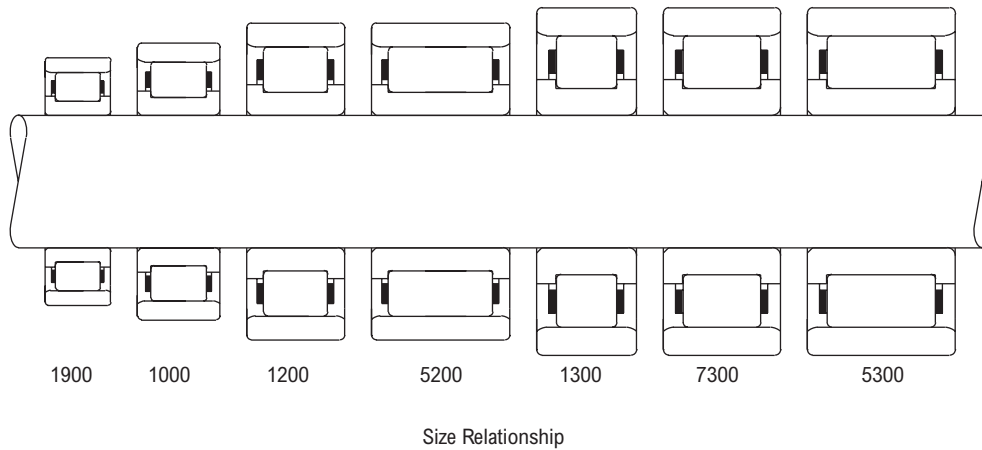
Ratings 60mm, 65mm, 70mm Bores



pounds/newtons

Basic bearing number	Formed Steel Retainer						Segmented Steel Retainer			Full Roller Complement		
	Separable			Non-separable			C Basic Load Rating	Bearing Capacity 500 RPM, 3000 Hrs. L ₁₀	Co Basic Static Load Rating	C Basic Load Rating	Bearing Capacity 500 RPM, 3000 Hrs. L ₁₀	Co Basic Static Load Rating
	C Basic Load Rating	Bearing Capacity 500 RPM, 3000 Hrs. L ₁₀	Co Basic Static Load Rating	C Basic Load Rating	Bearing Capacity 500 RPM, 3000 Hrs. L ₁₀	Co Basic Static Load Rating						
1912	7200	1870	10300
	32000	8300	45600
1012	11700	3040	15600
	52200	13500	69200
1212	14500	3760	19600	17700	4590	19600	19400	5020	22100	21700	5630	25800
	64600	16700	87400	78900	20400	87400	86100	22300	98300	96700	25000	115000
5212	24700	6390	38900	30100	7800	38900	32900	8520	43700	36900	9570	51000
	110000	28400	173000	134000	34700	173000	146000	37900	194000	164000	42600	227000
1312	24900	6450	32800	30400	7880	32800	32100	8330	35300	37200	9630	42900
	111000	28700	146000	135000	35500	146000	143000	37000	157000	165000	42800	191000
7312	32600	8450	46400	39800	10300	46400	42100	10900	50000	48700	12600	60700
	145000	37600	206000	177000	45900	206000	187000	48500	222000	217000	56100	270000
5312	43900	11400	68000	53600	13900	68000	56600	14700	73200	65500	17000	88900
	195000	50500	302000	238000	61700	302000	252000	65200	326000	291000	75500	395000
1913	7600	1970	11200
	33800	8750	50000
1013	12000	3100	16300
	53200	13800	72400
1213	16800	4360	24400	20500	5320	24400	21400	5540	25800	24700	6390	31200
	74800	19400	109000	91400	23700	109000	95100	24600	115000	110000	28400	139000
5213	26800	6930	44400	32700	8460	44400	34000	8810	46800	39300	10200	56700
	119000	30800	197000	145000	37600	197000	151000	39200	208000	175000	45200	252000
1313	30800	7970	41900	37600	9730	41900	37600	9730	41900	43400	11300	50900
	137000	35400	186000	167000	43300	186000	167000	43300	186000	193000	50100	226000
7313	39200	10100	57200	47800	12400	57200	47800	12400	57200	55300	14300	69400
	174000	45100	254000	213000	55100	254000	213000	55100	254000	246000	63700	309000
5313	54900	14200	88200	67000	17300	88200	67000	17300	88200	77500	20100	107000
	244000	63200	392000	298000	77200	392000	298000	77200	392000	345000	89300	476000
1914	10900	2810	15800
	48300	12500	70400
1014	14600	3770	18600
	64800	16800	82800
1214	18100	4700	26300	22100	5730	26300	24100	6230	29400	27900	7190	35600
	80600	20900	117000	98500	25500	117000	107000	27700	131000	124000	32000	158000
5214	29900	7750	50100	36600	9470	50100	39700	10300	56000	45900	11900	67800
	133000	34500	223000	163000	42100	223000	177000	45800	249000	204000	52800	302000
1314	35300	9130	48800	43000	11100	48800	43000	11100	48800	49800	12900	59200
	157000	40600	217000	191000	49600	217000	191000	49600	217000	221000	57400	263000
7314	43800	11300	64400	53500	13800	64400	53500	13800	64400	61800	16000	78200
	195000	50400	287000	238000	61600	287000	238000	61600	287000	275000	71300	348000
5314	57600	14900	91700	70400	18200	91700	70400	18200	91700	81400	21100	111000
	256000	66400	408000	313000	81100	408000	313000	81100	408000	362000	93800	495000

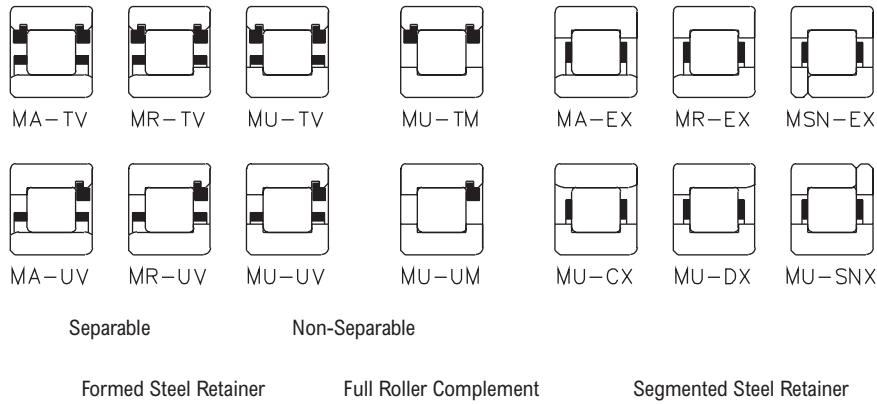
Ratings 75mm, 80mm, 85mm Bores



pounds/newtons

Basic bearing number	Formed Steel Retainer						Segmented Steel Retainer			Full Roller Complement		
	Separable			Non-separable			C Basic Load Rating	Bearing Capacity 500 RPM, 3000 Hrs. L ₁₀	Co Basic Static Load Rating	C Basic Load Rating	Bearing Capacity 500 RPM, 3000 Hrs. L ₁₀	Co Basic Static Load Rating
	C Basic Load Rating	Bearing Capacity 500 RPM, 3000 Hrs. L ₁₀	Co Basic Static Load Rating	C Basic Load Rating	Bearing Capacity 500 RPM, 3000 Hrs. L ₁₀	Co Basic Static Load Rating						
1915	11200	2910	16900
.....	50000	13000	75200
1015	15300	3970	20300
.....	68200	17700	90300
1215	18800	4880	28000	23000	5960	28000	24900	6450	31100	28600	7390	37400
.....	83800	21700	125000	102000	26500	125000	111000	28700	139000	157000	32900	166000
5215	32500	8430	56600	39700	10300	56600	43000	11100	62900	49300	12800	75500
.....	145000	37500	252000	177000	45800	252000	191000	49500	280000	219000	56800	336000
1315	36600	9470	49700	44600	11600	49700	44600	11600	49700	51600	13400	60300
.....	163000	42100	221000	199000	51400	221000	199000	51400	221000	230000	59500	268000
7315	48500	12600	71500	59300	15400	71500	59300	15400	71500	68600	17800	86900
.....	216000	55900	318000	264000	68300	318000	264000	68300	318000	305000	79000	386000
5315	70900	18400	116000	86600	22400	116000	86600	22400	116000	100000	25900	141000
.....	315000	81700	518000	385000	99800	518000	385000	99800	518000	446000	115000	629000
1916	11600	3010	18000
.....	51700	13400	80000
1016	19200	4970	25800
.....	85300	22100	115000
1216	20600	5330	30100	25100	6500	30100	27200	7040	33400	30200	7820	38400
.....	91500	23700	134000	112000	28900	134000	121000	31300	149000	134000	34800	171000
5216	36800	9540	63700	45000	11600	63700	48700	12600	70700	54000	14000	81300
.....	164000	42400	283000	200000	51800	283000	216000	56100	315000	240000	62300	362000
1316	41500	10800	57300	50700	13100	57300	50700	13100	57300	58700	15200	69600
.....	185000	47900	255000	226000	58400	255000	226000	58400	255000	261000	67600	309000
7316	55100	14300	82400	67300	17400	82400	67300	17400	82400	77900	20200	100000
.....	245000	63500	367000	299000	77500	367000	299000	77500	367000	346000	89700	445000
5316	73300	19000	119000	89400	23200	119000	89400	23200	119000	103000	26800	144000
.....	326000	84400	528000	398000	103000	528000	398000	103000	528000	460000	119000	642000
1917	13700	3550	20900
.....	60900	15800	93100
1017	19700	5100	27000
.....	87500	22700	120000
1217	24800	6410	36700	30200	7830	36700	31500	8160	38700	36300	9410	46900
.....	110000	28500	163000	134000	34800	163000	140000	36300	172000	162000	41900	208000
5217	45300	11700	79700	55300	14300	79700	57600	14900	84100	66400	17200	102000
.....	201000	52200	354000	246000	63700	354000	356000	66300	374000	296000	76500	453000
1317	44600	11500	61200	54400	14100	61200	54400	14100	61200	63000	16300	74300
.....	198000	51300	272000	242000	62700	272000	242000	62700	272000	280000	72500	330000
7317	61700	16000	92900	75400	19500	92900	75400	19500	92900	87200	22600	113000
.....	275000	71100	413000	335000	86800	413000	335000	86900	413000	388000	100000	502000
5317	86300	22400	143000	105000	27300	143000	105000	27300	143000	122000	31600	174000
.....	384000	99500	636000	469000	121000	636000	469000	121000	636000	542000	140000	773000

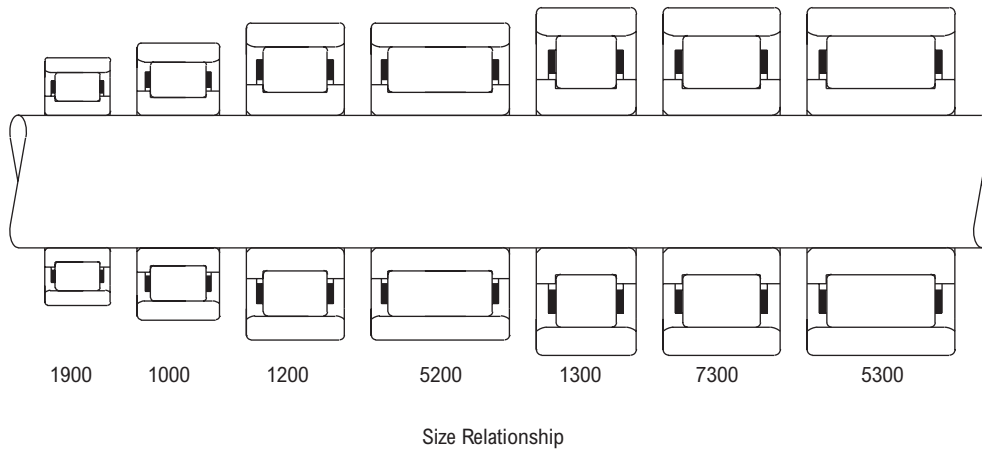
Ratings 90mm, 95mm, 100mm Bores



pounds/newtons

Basic bearing number	Formed Steel Retainer						Segmented Steel Retainer			Full Roller Complement		
	Separable			Non-separable			C Basic Load Rating	Bearing Capacity 500 RPM, 3000 Hrs. L ₁₀	Co Basic Static Load Rating	C Basic Load Rating	Bearing Capacity 500 RPM, 3000 Hrs. L ₁₀	Co Basic Static Load Rating
	C Basic Load Rating	Bearing Capacity 500 RPM, 3000 Hrs. L ₁₀	Co Basic Static Load Rating	C Basic Load Rating	Bearing Capacity 500 RPM, 3000 Hrs. L ₁₀	Co Basic Static Load Rating						
1918	14200	3670	22200
	6300	16300	98900
1018	24900	6440	33500
	111000	28600	149000
1218	28700	7440	42600	35100	9090	42600	38100	9880	47600	42600	11000	55100
	128000	33100	190000	156000	40400	190000	170000	43900	212000	189000	49000	245000
5218	51000	13200	89100	62300	16100	89100	67700	17500	99600	75500	19600	115000
	227000	58700	396000	277000	71700	396000	301000	78000	443000	336000	87000	513000
1318	52600	13600	74200	64200	16600	74200	64200	16600	74200	74200	19200	90100
	234000	60600	330000	285000	73900	330000	285000	73900	330000	330000	85500	401000
7318	69000	17900	105000	84300	21800	105000	84300	21800	105000	97500	25300	128000
	307000	79500	469000	375000	97100	469000	375000	97100	469000	434000	112000	569000
5318	88400	22900	145000	108000	27900	145000	108000	27900	145000	125000	32300	176000
	393000	102000	644000	480000	124000	644000	480000	124000	644000	556000	144000	783000
1919	14600	3790	23600
	65100	16900	105000
1019	25500	6600	35100
	113000	29400	156000
1219	33400	8650	50000	40800	10600	50000	42600	11000	53000	49500	12800	64700
	149000	38500	222000	181000	47000	222000	189000	49000	236000	220000	57000	288000
5219	58500	15200	103000	71400	18500	103000	74600	19300	109000	86700	22400	133000
	260000	67400	457000	318000	82300	457000	332000	85900	484000	386000	99800	592000
1319	55300	14300	80500	67600	17500	80500	67600	17500	80500	77400	20100	96600
	246000	63700	358000	300000	77800	358000	300000	77800	358000	344000	89200	430000
7319	75800	19600	121000	92600	24000	121000	92600	24000	121000	106000	27500	145000
	337000	87400	537000	412000	107000	537000	412000	107000	537000	472000	122000	644000
5319	93000	24100	157000	114000	29400	157000	114000	29400	157000	130000	33700	188000
	414000	107000	698000	505000	131000	698000	505000	131000	698000	579000	150000	838000
1920	17300	4470	25600
	76800	19900	114000
1020	26100	6760	36700
	116000	30100	163000
1220	36500	9470	54800	44600	11600	54800	46600	12100	58000	54100	14000	70900
	163000	42100	244000	198000	51400	244000	207000	53700	258000	241000	62400	315000
5220	65900	17100	117000	80500	20800	117000	84000	21800	124000	97700	25300	151000
	293000	76000	520000	358000	92700	520000	374000	96800	551000	434000	113000	674000
1320	60600	15700	88300	74000	19200	88300	74000	19200	88300	84800	22000	106000
	270000	69800	393000	329000	85300	393000	329000	85300	393000	377000	97700	472000
7320	82500	21400	131000	101000	26100	131000	101000	26100	131000	115000	29900	157000
	367000	95000	584000	448000	116000	584000	448000	116000	584000	513000	133000	700000
5320	111000	28700	192000	135000	35100	192000	135000	35100	192000	155000	40200	231000
	493000	128000	855000	602000	156000	855000	602000	156000	855000	691000	179000	1030000

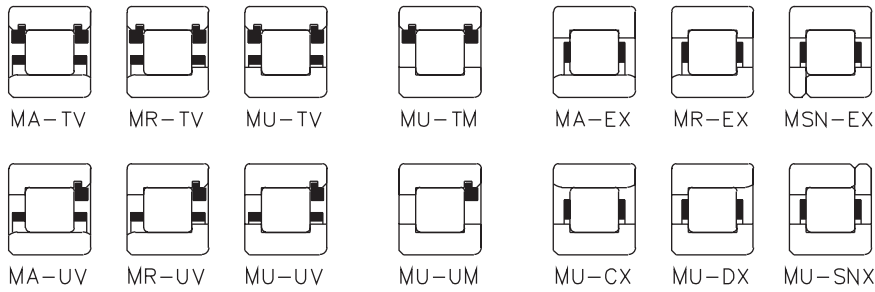
Ratings 105mm, 110mm, 120mm Bores



pounds/newtons

Basic bearing number	Formed Steel Retainer						Segmented Steel Retainer			Full Roller Complement		
	Separable			Non-separable			C Basic Load Rating	Bearing Capacity 500 RPM, 3000 Hrs. L ₁₀	Co Basic Static Load Rating	C Basic Load Rating	Bearing Capacity 500 RPM, 3000 Hrs. L ₁₀	Co Basic Static Load Rating
	C Basic Load Rating	Bearing Capacity 500 RPM, 3000 Hrs. L ₁₀	Co Basic Static Load Rating	C Basic Load Rating	Bearing Capacity 500 RPM, 3000 Hrs. L ₁₀	Co Basic Static Load Rating						
1921	17900	4650	27300
1021	79800	20700	121000
1221	38600	9990	57800	47100	12200	57800	49200	12700	61200	57200	14800	74800
5221	73400	19000	132000	89600	23200	132000	93600	24200	140000	109000	28200	171000
1321	71700	18600	108000	87500	22700	108000	87500	22700	108000	100000	26000	129000
7321	90500	23400	145000	110000	28600	145000	110000	28600	145000	127000	32800	174000
5321	118000	30500	204000	144000	37200	204000	144000	37200	204000	165000	42700	244000
1922	18200	4720	28200
1022	81200	21000	125000
1222	43600	11300	67300	53200	13800	67300	55400	14400	71100	61900	16000	82300
5222	79900	20700	147000	97600	25300	147000	102000	26300	155000	113000	29400	179000
1322	72800	18900	107000	88900	23000	107000	88900	23000	107000	102000	26400	129000
7322	99800	25800	161000	122000	31500	161000	122000	31500	161000	140000	36200	193000
5322	144000	35700	244000	169000	43600	244000	169000	43600	244000	193000	50000	293000
1924	23800	6160	37300
1024	106000	27400	166000
1224	49400	12800	77900	60300	15600	77900	62800	16300	82300	72500	18800	99600
5224	97200	25200	186000	119000	30700	186000	124000	32000	196000	143000	36900	238000
1324	84600	21900	126000	103000	26700	126000	103000	26700	126000	118000	30700	151000
7324	118000	30500	193000	144000	37300	193000	144000	37300	193000	165000	42700	232000
5324	170000	44100	310000	208000	53900	310000	208000	53900	310000	238000	61700	373000
	757000	196000	1380000	925000	240000	1380000	925000	240000	1380000	1060000	275000	1660000

Ratings 130mm, 140mm, 150mm Bores



Separable

Non-Separable

Formed Steel Retainer

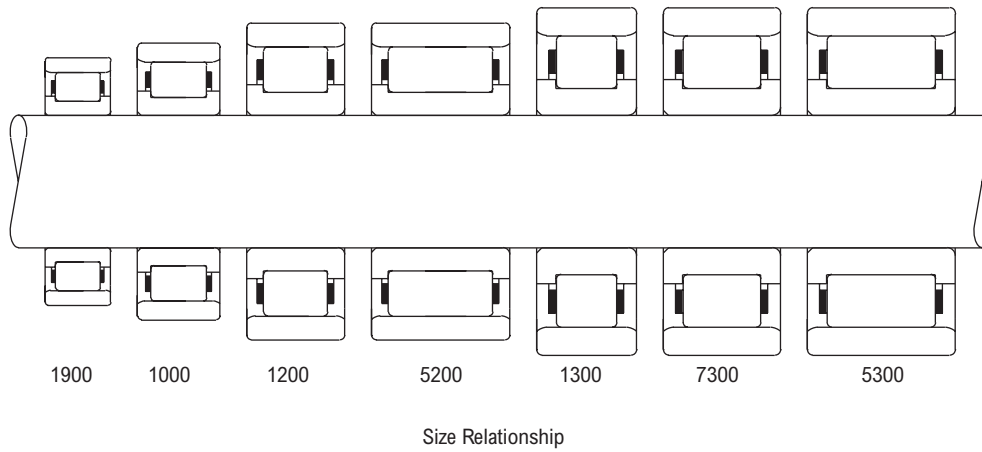
Full Roller Complement

Segmented Steel Retainer

pounds/newtons

Basic bearing number	Formed Steel Retainer						Segmented Steel Retainer			Full Roller Complement		
	Separable			Non-separable			C Basic Load Rating	Bearing Capacity 500 RPM, 3000 Hrs. L ₁₀	C ₀ Basic Static Load Rating	C Basic Load Rating	Bearing Capacity 500 RPM, 3000 Hrs. L ₁₀	C ₀ Basic Static Load Rating
	C Basic Load Rating	Bearing Capacity 500 RPM, 3000 Hrs. L ₁₀	C ₀ Basic Static Load Rating	C Basic Load Rating	Bearing Capacity 500 RPM, 3000 Hrs. L ₁₀	C ₀ Basic Static Load Rating						
1926	30100	7800	47600
	134000	34700	212000
1026	47500	12300	69100
	211000	54700	307000
1226	55300	14300	85200	67500	17500	85200	67500	17500	85200	78500	20300	104000
	246000	63700	379000	300000	77800	379000	300000	77800	379000	349000	90400	463000
5226	104000	26900	192000	127000	32800	192000	127000	32800	192000	147000	38200	234000
	462000	120000	852000	564000	146000	852000	564000	146000	852000	655000	170000	1040000
1326	100000	25900	151000	122000	31700	151000	122000	31700	151000	140000	36300	182000
	446000	115000	674000	544000	141000	674000	544000	141000	674000	624000	162000	808000
7326	138000	35700	228000	168000	43600	228000	168000	43600	228000	193000	50000	274000
	613000	159000	1020000	749000	194000	1020000	749000	194000	1020000	858000	222000	1220000
5326	190000	49300	346000	232000	60200	346000	232000	60200	346000	267000	69000	415000
	847000	219000	1540000	1030000	268000	1540000	1030000	268000	1540000	1190000	307000	1850000
1928	31100	8060	50800
	138000	35900	226000
1028	49900	12900	75100
	222000	57400	334000
1228	61700	16000	95000	75300	19500	95000	75300	19500	95000	87600	22700	116000
	274000	71100	422000	335000	86800	422000	335000	86800	422000	390000	101000	516000
5228	129000	33400	244000	157000	40700	244000	157000	40700	244000	183000	47300	299000
	573000	148000	1090000	699000	181000	1090000	699000	181000	1090000	813000	211000	1330000
1328	111000	28800	170000	136000	35200	170000	136000	35200	170000	156000	40400	204000
	495000	128000	756000	605000	157000	756000	605000	157000	756000	693000	180000	907000
7328	158000	40800	266000	192000	49800	266000	192000	49800	266000	221000	57100	319000
	701000	182000	1180000	856000	222000	1180000	856000	222000	1180000	981000	254000	1420000
5328	209000	54200	383000	256000	66200	383000	256000	66200	383000	293000	75900	460000
	931000	241000	1700000	1140000	295000	1700000	1140000	295000	1700000	1300000	338000	2050000
1930	41800	10800	68600
	186000	48100	305000
1030	56700	14700	85800
	252000	65300	382000
1230	71000	18400	111000	86700	22500	111000	86700	22500	111000	101000	26100	135000
	316000	81800	492000	386000	99900	492000	386000	99900	492000	448000	116000	601000
5230	150000	38900	289000	183000	47500	289000	183000	47500	289000	213000	55200	354000
	668000	173000	1290000	815000	211000	1290000	815000	211000	1290000	948000	245000	1570000

Ratings 160mm, 170mm, 180mm, 190mm, 200mm Bores



pounds/newtons

Basic bearing number	Formed Steel Retainer						Segmented Steel Retainer			Full Roller Complement		
	Separable			Non-separable			C Basic Load Rating	Bearing Capacity 500 RPM, 3000 Hrs. L ₁₀	Co Basic Static Load Rating	C Basic Load Rating	Bearing Capacity 500 RPM, 3000 Hrs. L ₁₀	Co Basic Static Load Rating
	C Basic Load Rating	Bearing Capacity 500 RPM, 3000 Hrs. L ₁₀	Co Basic Static Load Rating	C Basic Load Rating	Bearing Capacity 500 RPM, 3000 Hrs. L ₁₀	Co Basic Static Load Rating						
1932	43200	11200	73100
.....	192000	49800	325000
1032	65000	16800	99800
.....	289000	74800	444000
1232	78300	20300	120000	95600	24800	120000	99800	25800	127000	112000	29000	148000
.....	348000	90200	534000	425000	110000	534000	444000	115000	565000	498000	129000	660000
5232	174000	45100	336000	213000	55100	336000	222000	57500	356000	249000	64600	415000
.....	775000	201000	1490000	946000	245000	1490000	988000	256000	1580000	1110000	287000	1850000
1934	43700	11300	75500
.....	195000	50400	336000
1034	81400	21100	130000
.....	362000	93800	577000
1234	95700	24800	149000	117000	30300	149000	122000	31600	158000	137000	35500	184000
.....	426000	110000	664000	520000	135000	664000	543000	141000	703000	609000	158000	820000
5234	202000	52400	391000	247000	64000	391000	258000	66800	414000	290000	75000	483000
.....	900000	233000	1740000	1100000	285000	1740000	1150000	297000	1840000	1290000	334000	2150000
1936	56000	14500	93700
.....	249000	64500	417000
1036	97900	25400	154000
.....	436000	113000	685000
1236	99600	25800	159000	122000	31500	159000	122000	31500	159000	136000	35300	186000
.....	443000	115000	708000	541000	140000	708000	541000	140000	708000	607000	157000	826000
5236	195000	50600	379000	239000	61800	379000	239000	61800	379000	268000	69400	442000
.....	870000	225000	1690000	1060000	275000	1690000	1060000	275000	1690000	1190000	309000	1970000
1938	56800	14700	97000
.....	253000	65500	431000
1038	100000	26000	161000
.....	446000	115000	716000
1238	143200	37000	239400	175400	45600	239400	190600	49300	267700	205000	53000	299000
.....	637000	164900	1065000	780000	203000	1065000	848000	219500	1191000	912000	236000	1330000
5238	242000	62800	489000	296000	76600	489000	296000	76600	489000	332000	86000	570000
.....	1080000	279000	2170000	1320000	341000	2170000	1320000	341000	2170000	1480000	383000	254000
1940	73700	19100	125000
.....	328000	84900	556000
1040	121000	31300	193000
.....	538000	139000	859000
1240	123000	31900	201000	150000	38900	201000	150000	38900	201000	175000	45200	246000
.....	547000	142000	893000	668000	173000	893000	668000	173000	893000	777000	201000	1090000
5240	270000	69900	551000	329000	85300	551000	329000	85300	551000	383000	99200	673000
.....	1200000	311000	2450000	1460000	379000	2450000	1460000	379000	2450000	1700000	441000	2990000

Shaft Bearing Seat Diameters

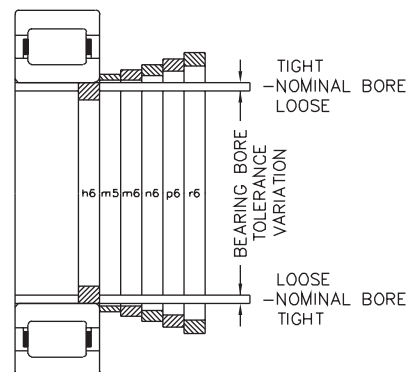
Bearing bore tolerances are in accordance with the system of tolerancing established by the International Standards Organization (ISO) and adopted by the American Bearing Manufacturers Association (ABMA) and the American National Standards Institute (ANSI).

A system of limits and fits has been established by ISO for shafts. A portion of this system has been adopted by ABMA to provide flexibility in selecting shaft fits. Shaft fits are designated by a lower case letter and a number, such as h6. The letter indicates the location of the shaft tolerance limits with respect to the nominal bearing bore. The number indicates the size of the tolerance zone.

Shaft fits recommended for various types of applications are listed in the table at right. A graphic relationship of various shaft fits is illustrated in the figure at the left.

Many factors influence the proper fit of the bearing inner ring on a shaft. The magnitude of the load and its direction with respect to bearing inner or outer rings are generally the first factors considered in shaft fit selection. The effects of other factors such as vibration, shock, temperature, speed, etc., are of secondary importance but sometimes need to be considered. Where assembly or disassembly requirements are of prime importance special shaft fits may be required.

Appropriate diameter shafting is determined (as shown) from the tables below.



Class of Fit and Shaft Diameters (inches/μm)

Bearing Series, 1000, 1200, 1300, 1900, 5200, 5300, 7300	Nominal Bearing Bore And Shaft Diameter		Bearing Bore Tolerance ▲	Bearing/Shaft Diameter Fits ▲				
				H6		M5		
				Tolerance		Tolerance		
Basic Size	mm	inches	um	inches	Fit	Shaft Dia.	Fit	Shaft Dia.
04	20.000	0.7874	0	0.0000	.0004T	-.0000	.0011T	0.0007
05	25.000	0.9843	-10	-.0004	.0005L	-.0005	.0003T	0.0003
06	30.000	1.1811			10T	0	27T	17
07	35.000	1.3780			13L	-13	8T	8
08	40.000	1.5748	0	0.0000	.0005T	0.0000	.0013T	0.0008
09	45.000	1.7717	-12	-.0005	.0006L	-.0006	.0004T	0.0004
10	50.000	1.9685			12T	0	33T	20
11	55.000	2.1654			16L	-16	9T	9
12	60.000	2.3622			.0006T	0.0000	.0016T	0.001
13	65.000	2.5591	0	0.0000	.0007L	0.0007	.0005T	0.0005
14	70.000	2.7559	-15	-.0006	15T	0	39T	24
15	75.000	2.9528			19L	-19	11T	11
16	80.000	3.1496						
17	85.000	3.3465			.0008T	-.0000	.0019T	0.0011
18	90.000	3.5433			.0009L	-.0009	.0005T	0.0005
19	95.000	3.7402	0	0.0000	20T	0	48T	28
20	100.000	3.9370	-20	-.0008	22L	-22	13T	13
21	105.000	4.1339						
22	110.000	4.3307						
24	120.000	4.7244						
26	130.000	5.1181			.0010T	-.0000	.0023T	0.0013
28	140.000	5.5118			.0010L	-.0010	.0006T	0.0006
30	150.000	5.9055	0	0.0000	25T	0	58T	33
32	160.000	6.2992	-25	-.0010	25L	-25	15T	13
34	170.000	6.6929						
36	180.000	7.0866			.0012T	0.000	.0026T	0.0014
38	190.000	7.4803	0	0.0000	.0012L	-.0012	.0006T	0.0006
40	200.000	7.8740	-30	-.0012	30T	0	67T	37
					29L	-29	17T	17

Class of Fit Selection

Operating conditions ■	Nominal shaft dia.		Class of fit	Remarks
	mm	inches		
Inner ring stationary in relation to direction of load	<i>All diameters</i>		h6	Tap fit inner ring
Inner ring rotating in relation to direction of load (Normal load m=0.18C)●	17-40	0.67-1.57	m5	Press fit inner ring
	40-65	1.57-2.56	m6	
	65-140	2.56-5.52	n6	
	140-200	5.52-7.88	p6	
Inner ring rotating in relation to direction of load (Heavy load >.018C)●	35-65	1.37-2.56	n6	Heavy press fit inner ring
	65-140	2.56-5.52	p6	
	140-200	5.52-7.88	r6	

Bearing/Shaft Diameter Fit

Bearing Series 1000, 1200, 1300, 1900, 5200, 5300, 7300	m6		n6		p6		r6		
	Tolerance		Tolerance		Tolerance		Tolerance		
	Basic size	Fit	Shaft dia.	Fit	Shaft dia.	Fit	Shaft dia.	Fit	Shaft dia.
04
05
06
07	.0015T	0.0010	.0018T	0.0013
thru	.0004T	0.0004	.0007T	0.0007
10	38T	25	46T	33
	9T	9	17T	17
11	.0018T	0.0012	.0021T	0.0015	.0027T	0.0021
thru	.0005T	0.0005	.0008T	0.0008	.0014T	0.0014
16	45T	30	54T	39	66T	51
	11T	11	20T	20	32T	32
17	.0022T	0.0014	.0027T	0.0019	.0033T	0.0025	.0037T	0.0029	0.0029
thru	.0005T	0.0005	.0010T	0.0010	.0016T	0.0016	.0020T	0.0020	0.0020
24	55T	35	65T	45	79T	59	96T	76	76
	13T	13	23T	23	37T	37	54T	54	54
26	.0026T	0.0016	.0032T	0.0022	.0038T	0.0028	.0045T	0.0035	0.0035
thru	.0006T	0.0006	.0012T	0.0012	.0018T	0.0018	.0025T	0.0025	0.0025
36	65T	40	77T	52	93T	68	118T	93	93
	15T	15	27T	27	43T	43	68T	68	68
	.0030T	0.0018	.0038T	0.0026	.0044T	0.0032	.0054T	0.0042	0.0042
38	.0006T	0.0006	.0014T	0.0014	.0020T	0.0020	.0030T	0.0030	0.0030
40	76T	46	90T	60	109T	79	136T	106	106
	17T	17	31T	31	50T	50	77T	77	77

▲ Symbol L indicates a loose or clearance fit. Symbol T indicates a tight or interference fit. The appropriate shaft diameter for any class of fit can be easily determined by applying the shaft tolerance to the nominal shaft diameter. Example: (Using basic bearing size 03 and fit class h6)

	inches	mm
Nominal shaft diameter	= .6693 .6693	= 17.000 17.000
Shaft diameter tolerance	= +.0000 -.0004	= + 0.000 -0.010

▲ The arithmetical mean of the largest and smallest single diameter to be within tolerance shown. Allowable deviations from mean diameter per ANSI/ABMA STD 20, latest printing.

Resultant shaft diameter = .6693 .6689 = 17.000 16.989

1µm = .001 mm

■ For solid steel shafts.

● C = Basic Load Rating of bearing.

Housing Bearing Seat Diameters

Bearing outside diameter tolerances are in accordance with the system of tolerancing established by the International Standards Organization (ISO) and adopted by the American Bearing Manufacturers Association (ABMA) and the American National Standards Institute (ANSI).

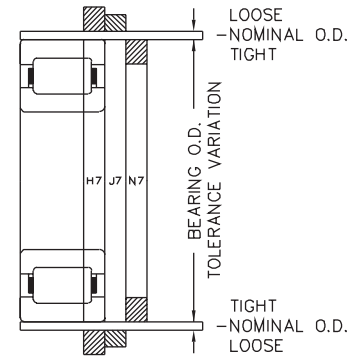
A system of limits and fits has been established by ISO for holes. A portion of this system has been adopted by ABMA to provide flexibility in selecting housing fits. Housing fits are designated by a capital letter and a number such as H7. The letter indicates the location of the housing bore tolerance limits with respect to the nominal bearing O.D. The number indicates the size of the tolerance zone.

Housing fits recommended for various types of applications are listed in the table at the right. A graphic relationship of various housing fits is illustrated in the figure at the left. The class of fit is determined by nature of loading (oscillating, vibrating, reversing, etc.), axial movement requirements, temperature conditions, housing material and cross section of housing.

Shaft expansion increases bearing center distances and requires all but one bearing on a shaft to be movable axially in the housing. In most bearings the outer rings are subjected to stationary loads which permit a loose housing fit.

Operating temperature may affect the housing fit, as the housing may dissipate heat rapidly and not expand with the outer ring. However, the loose fit must never be greater than necessary. Excessive looseness results in less accurate shaft centering and additional ring deformation under load.

The appropriate housing bores are determined (as shown) from the tables below.



Class of Fit and Housing Bores (inches/μm)

Bearing Series						Bearing/Housing Diameter Fits▲						
1900	1000	1200	1300	Nominal Bearing O.D. And Housing Bore	Bearing O.D. ToleranceΔ	H7		J7		N7		
						Tolerance		Tolerance		Tolerance		
Basic Size				mm	inches	Fit	Housing Bore	Fit	Housing Bore	Fit	Housing Bore	
...	...	205	304	52	2.0472	0	0	.0004T	-0.0004	.0002L	-0.0003	
...	...	206	305	62	2.4409	-.0005	.0017L	0.0012	.0013L	±.0008	.0015T	-0.0015
...	...	207	306	72	2.8346	0	0	12T	-12	4L	-9	
911	010	208	307	80	3.1496	-13	43L	30	31L	-18	39T	-39
912	...	209	...	85	3.3465	0	0	0	.0005T	-0.0005	.0002L	-0.0004
913	011	210	308	90	3.5433	-.0006	.0020L	0.0014	.0015L	0.0009	.0018T	-0.0018
...	012	95	3.7402	0	0	0	13T	-13	5L	-10
914	013	211	309	100	3.9370	-15	50L	35	37L	22	45T	-45
915	105	4.1339	0	0	0	.0006T	-0.0006	.0002L	-0.0006
916	014	212	310	110	4.3307	-.0008	.0024L	0.0016	.0018L	0.0010	.0022T	-0.0002
...	015	115	4.5276	0	0	0	14T	-14	6L	-12
917	...	213	311	120	4.7244	-20	61L	41	44L	26	52T	-52
918	016	214	...	125	4.9213	0	0	0	.0006T	-0.0006	.0004L	-0.0006
919	017	215	312	130	5.1181	-.0010	.0026L	0.0016	.0020L	0.001	.0022T	-0.0022
920	018	216	313	140	5.5118	0	0	0	14T	-14	13L	-12
921	019	145	5.7087	-25	65L	40	51L	26	57T	-52
922	020	217	314	150	5.9055	0	0	0	.0007T	-0.0007	.0004L	-0.0008
...	021	218	315	160	6.2992	-0.0012	.0030L	0.0018	.0023L	0.0011	.0026T	-0.0026
924	165	6.4961	0	0	0	16T	-16	16L	-14
...	022	219	316	170	6.6929	-30	76L	46	60L	30	60T	-60
926	024	220	317	180	7.0866	0	0	0	.0007T	-0.0007	.0006L	-0.0008
928	...	221	318	190	7.4803	-.0014	.0034L	0.002	.0027L	0.0013	.0028T	-0.0028
...	026	222	319	200	7.8740	0	0	0	16T	-16	21L	-14
930	028	210	8.2677	-35	87L	52	71L	36	66T	-66
...	...	224	320	215	8.4646	0	0	0	.0007T	-0.0007	.0008L	-0.0008
932	321	220	8.6614	-.0016	.0038L	0.0022	.0030L	0.0014	.0030T	-0.003
...	030	225	8.8583	0	0	0	8T	-18	24L	-16
934	...	226	322	230	9.0551	-40	97L	57	79L	39	73T	-73
...	032	240	9.4488	0	0	0	.0007T	-0.0007	.0008L	-0.0008
936	...	228	...	250	9.8425	0	0	0	.0007T	-0.0007	.0008L	-0.0008
938	034	...	324	260	10.2362	0	0	0	.0007T	-0.0007	.0008L	-0.0008
...	...	230	...	270	10.6299	0	0	0	.0007T	-0.0007	.0008L	-0.0008
940	036	...	326	280	11.0236	0	0	0	.0007T	-0.0007	.0008L	-0.0008
...	038	232	...	290	11.4173	0	0	0	.0007T	-0.0007	.0008L	-0.0008
...	328	300	11.8110	0	0	0	.0007T	-0.0007	.0008L	-0.0008
...	040	234	...	310	12.2047	0	0	0	.0007T	-0.0007	.0008L	-0.0008
...	...	236	330	320	12.5984	0	0	0	.0007T	-0.0007	.0008L	-0.0008
...	...	238	...	340	13.3858	0	0	0	.0007T	-0.0007	.0008L	-0.0008
...	...	240	...	360	14.1732	0	0	0	.0007T	-0.0007	.0008L	-0.0008

1 μm = .001 mm

□ Minimum housing bore is same as ABMA fit class; tolerance is within ABMA range.

■ Style A outer ring has oversize O.D. designed to give a heavy press fit with a tap fit housing bore. Inner ring to be press fit for values.

Δ The arithmetical mean of the largest and smallest single diameter to be within tolerance shown.

Allowable deviations from mean diameter per ANSI/ABMA STD 20, latest printing.

Class of Fit Selection

Operating conditions	Class of fit	Remarks
Housing stationary in relation to direction of load	H7	Push fit outer ring for non-separable bearing styles MU...UV and MU...UM
Housing stationary in relation to direction of load	J7□	Tap fit outer ring
Housing rotating in relation to direction of load	N7□	Press fit outer ring
	■	Heavy press fit with Style A outer ring

Heavy Press Fit With Style A Outer Ring (inches/μm)

Bearing Series				Nominal Bearing O.D. And Housing Bore Style A Outer Ring	Bearing O.D. Tolerance Δ	Bearing/Housing Diameter Fits ▲				
1900	1000	1200 5200	1300 5300 7300			Tolerance				
Basic Size						mm	inches	Fit		Housing Bore
...	...	205	304	52.024	2.0482	0.0000	.00000	0	-.0005	-13
...	...	206	305	62.029	2.4421	-.0005	.0014T	35T	-.0014	-35
...	...	207	306	72.032	2.8359	0	.0001T	2T	-.0006	-15
...	...	208	307	80.035	3.151	-13	.0016T	40T	-.0016	-40
911	010	208	307	80.035	3.151	0	.0002T	5T	-.0007	-18
912	...	209	...	85.039	3.348	0	.0017T	43T	-.0017	-43
913	011	210	308	90.04	3.5449	0	.0003T	7T	-.0008	-20
...	012	95.044	3.7419	0	.0018T	45T	-.0018	-45
914	013	211	309	100.046	3.9388	0	.0004T	10T	-.0010	-25
915	105.049	4.1358	-.0006	.0020T	50T	-.0020	-50
916	014	212	310	110.056	4.3329	0	.0005T	13T	-.0011	-28
917	015	115.057	4.5298	0	.0021T	53T	-.0021	-53
918	016	214	...	125.059	4.9236	-15	.0006T	15T	-.0012	-30
919	017	215	312	130.058	5.1204	0	.0022T	56T	-.0022	-56
920	018	216	313	140.058	5.5141	0	.0007T	18T	-.0013	-33
921	019	145.067	5.7113	-15	.0023T	58T	-.0023	-58
922	020	217	314	150.066	5.9081	0	.0008T	20T	-.0014	-35
...	021	218	315	160.071	6.302	0	.0024T	61T	-.0024	-61
924	165.072	6.4989	0	.0009T	23T	-.0017	-38
...	022	219	316	170.071	6.6957	0	.0027T	69T	-.0027	-69
926	024	220	317	180.071	7.0894	0.0000	.0009T	23T	-.0017	-43
928	...	221	318	190.076	7.4833	-0.0008	.0029T	74T	-.0029	-74
...	026	222	319	200.078	7.8771	0	.0010T	25T	-.0018	-45
930	028	210.081	8.2709	-20	.0032T	81T	-.0032	-81
...	...	224	320	215.087	8.468	0.0000	.0010T	25T	-.0020	-50
932	220.088	8.6649	-0.0010	.0034T	86T	-.0034	-86
...	030	...	321	225.09	8.8618	0	.0011T	28T	-.0023	-58
934	...	226	...	230.091	9.0587	-30	.0012T	30T	-.0024	-60
936	032	...	322	240.096	9.4526	0	.0038T	97T	-.0038	-97
...	...	228	...	250.096	9.8463	0	.0013T	33T	-.0025	-63
...	260.101	10.2402	0	.0039T	99T	-.0039	-99
938	034	...	324	260.101	10.2402	0	.0013T	33T	-.0025	-63
...	...	230	...	270.101	10.6339	-30	.0041T	104T	-.0041	-104
940	036	...	326	280.101	11.0276	0	.0014T	36T	-.0026	-66
...	038	232	...	290.109	11.4216	-40	.0042T	107T	-.0042	-107
...	328	300.111	11.8154	0	.0015T	38T	-.0027	-68
...	040	234	...	310.111	12.2091	0	.0043T	109T	-.0043	-109
...	...	236	330	320.121	12.6032	0	.0015T	38T	-.0027	-68
...	...	238	...	340.121	13.3906	0	.0045T	114T	-.0045	-114
...	...	240	...	360.124	14.1781	0	.0015T	38T	-.0029	-73
...	360.124	14.1781	-0.0014	.0047T	119T	-.0047	-119
...	360.124	14.1781	0	.0016T	41T	-.0030	-76
...	360.124	14.1781	-35	.0050T	127T	-.0050	-127
...	360.124	14.1781	0	.0017T	43T	-.0031	-78
...	360.124	14.1781	0	.0051T	130T	-.0051	-130
...	360.124	14.1781	0.0000	.0017T	43T	-.0033	-83
...	360.124	14.1781	-0.0016	.0055T	140T	-.0055	-140
...	360.124	14.1781	0	.0018T	46T	-.0043	-86
...	360.124	14.1781	-40	.0056T	142T	-.0056	-142

▲ Symbol L indicates a loose or clearance fit. Symbol T indicates a tight or interference fit. The appropriate housing bore for any class of fit can be easily determined by applying the housing tolerance to the nominal housing bore. Example: (Using basic bearing size 926 and fit class N7)

Nominal housing bore	= 7.0866 7.0866 =	180.000 180.000
Housing bore tolerance	= -.0006 -.0022 =	-.012 -.052
Resultant housing bore	= 7.0860 7.0844 =	179.988 179.948

Operation Without Inner Ring/Outer Ring

Outer Ring and Roller Assembly

for Series M-EX, M-EAX, M-EB, M-EAB, M-TV, M-TAV, M-UV and M-UAV

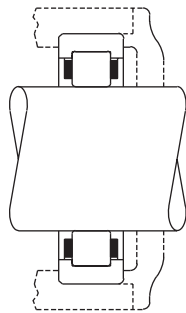
Cylindrical roller bearings with the inner ring omitted may be installed so that the rollers operate directly on the surface of the shaft.

This type of design is useful for applications where space is limited or a larger shaft is required. Surface hardness of shaft must be Rockwell C59 to C64 to achieve full bearing capacity. Where the required hardness cannot be attained, the bearing rating must be reduced accordingly. Where the shaft is case hardened, the combination of case depth and core hardness must be adequate. Consult Rexnord Bearing Division for a specific recommendation. Shaft surface should be finished to a roughness value of 13 micro-inches, RMS, maximum (.33 μm).

Maximum and minimum shaft diameter values for tap fit and press fit outer rings are listed below.

Hardness Factor

If operation at rated capacity is desired when cylindrical roller bearings are used with either ring omitted, the surface on which the rollers operate must have a hardness of Rockwell C59 to C64 or equivalent Brinell hardness (see chart below). If this hardness cannot be attained, the bearing C capacity must be reduced by a rating reduction factor determined from chart on facing page.



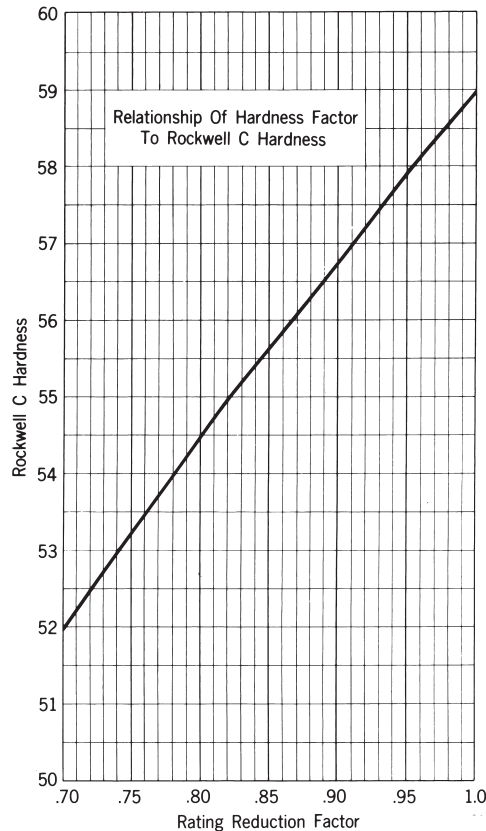
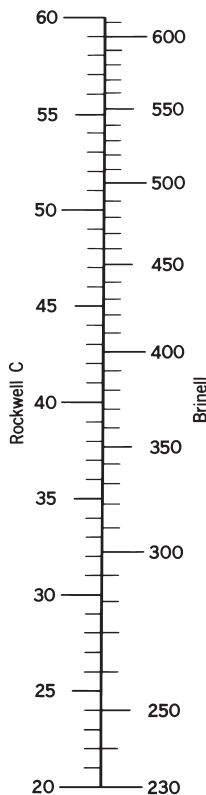
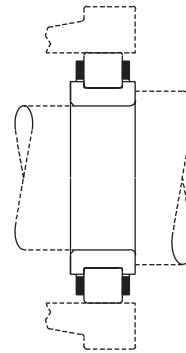
Inner Ring and Roller Assembly

for Series MU-X, MU-B

Cylindrical roller bearings with the outer ring omitted may be installed so that the rollers operate directly on the hardened and ground surface of a bore in an alloy steel housing.

This type of design is useful for applications where space is limited and a smaller housing bore or a larger bearing and shaft are required. Housing surface hardness must be Rockwell C59 to C64 or Brinell equivalent to achieve full bearing capacity. Where the required hardness cannot be attained, the bearing rating must be reduced accordingly. See graph for rating reduction factor. Where the housing bore is case hardened, the combination of case depth and core hardness must be adequate. Consult Rexnord Bearing Division for a specific recommendation. Housing surface should be finished to a roughness value of 13 micro-inches, A.A., maximum (.33 μm).

Maximum and minimum housing bore values for tap fit and press fit inner rings are listed on the next page.



Shaft Diameters for Outer Ring

Shaft Diameter for Tap Fit Outer Ring ▲									Shaft Diameter for Press Fit Outer Ring							
Bearing series	1900	1000	1200-5200	1300-5300-7300	1900	1000	1200-5200	1300-5300-7300	1900	1000	1200-5200	1300-5300-7300	1900	1000	1200-5200	1300-5300-7300
Basic size	(max-min)								inches							
									(max-min)							
03	0.8757	0.8753	0.8725	0.8721	0.9803	0.9799	0.8750	0.8746	0.8718	0.8714	0.9796	0.9792
04	0.9769	0.9765	1.0329	1.0325	1.1092	1.1087	1.1013	1.1008	0.9762	0.9758	1.0322	1.0318	1.1085	1.1080	1.1005	1.1000
05	1.1759	1.1754	1.2259	1.2254	1.2672	1.2667	1.3383	1.3378	1.1753	1.1748	1.2253	1.2248	1.2665	1.2660	1.3376	1.3371
06	1.3710	1.3705	1.4523	1.4518	1.4994	1.4989	1.6024	1.6019	1.3704	1.3699	1.4515	1.4510	1.4986	1.4981	1.6016	1.6011
07	1.6112	1.6107	1.6611	1.6606	1.7322	1.7317	1.8452	1.8447	1.6104	1.6099	1.6603	1.6598	1.7314	1.7309	1.8444	1.8439
08	1.8061	1.8056	1.8777	1.8772	1.9667	1.9662	2.0600	2.0595	1.8054	1.8049	1.8770	1.8765	1.9660	1.9655	2.0590	2.0585
09	2.0263	2.0258	2.0831	2.0825	2.1870	2.1864	2.3382	2.3376	2.0255	2.0250	2.0823	2.0817	2.1861	2.1855	2.3373	2.3367
10	2.2014	2.2008	2.2802	2.2796	2.3816	2.3810	2.5660	2.5654	2.2006	2.2000	2.2794	2.2788	2.3807	2.3801	2.5651	2.5645
11	2.4316	2.4310	2.5408	2.5402	2.6354	2.6348	2.8136	2.8130	2.4308	2.4302	2.5398	2.5392	2.6344	2.6338	2.8127	2.8121
12	2.6316	2.6310	2.7377	2.7371	2.8511	2.8505	3.0545	3.0538	2.6307	2.6301	2.7368	2.7362	2.8502	2.8496	3.0534	3.0527
13	2.8267	2.8261	2.9348	2.9341	3.1677	3.1670	3.2957	3.2950	2.8258	2.8252	2.9339	2.9332	3.1668	3.1661	3.2946	3.2939
14	3.0719	3.0712	3.1588	3.1581	3.3392	3.3385	3.5132	3.5125	3.0710	3.0703	3.1579	3.1572	3.3381	3.3374	3.5120	3.5113
15	3.2669	3.2662	3.3569	3.3562	3.5063	3.5056	3.7780	3.7772	3.2660	3.2653	3.3560	3.3553	3.5052	3.5045	3.7769	3.7761
16	3.4619	3.4612	3.5969	3.5962	3.7532	3.7525	4.0031	4.0023	3.4610	3.4603	3.5958	3.5951	3.7520	3.7513	4.0020	4.0012
17	3.7274	3.7267	3.7944	3.7936	4.0182	4.0174	4.2746	4.2738	3.7265	3.7258	3.7933	3.7925	4.0171	4.0163	4.2735	4.2727
18	3.9225	3.9217	4.0324	4.0316	4.2235	4.2227	4.4915	4.4907	3.9214	3.9206	4.0313	4.0305	4.2224	4.2216	4.4902	4.4894
19	4.1174	4.1166	4.2284	4.2276	4.4714	4.4706	4.8113	4.8105	4.1163	4.1155	4.2273	4.2265	4.4703	4.4695	4.8099	4.8091
20	4.3330	4.3322	4.4254	4.4246	4.7663	4.7655	5.1267	5.1258	4.3319	4.3311	4.4243	4.4235	4.7652	4.7644	5.1254	5.1245

Housing Bore for Outer Ring

Housing Bore for Tap Fit Inner Ring									Housing Bore for Press Fit Inner Ring							
Bearing series	1900	1000	1200-5200	1300-5300-7300	1900	1000	1200-5200	1300-5300-7300	1900	1000	1200-5200	1300-5300-7300	1900	1000	1200-5200	1300-5300-7300
Basic size	(max-min)								inches							
									(max-min)							
03	1.1992	1.1988	1.3708	1.3704	1.5402	1.5398	1.1996	1.1992	1.3712	1.3708	1.5406	1.5402
04	1.2689	1.2685	1.4383	1.4379	1.6075	1.6070	1.7305	1.7300	1.2694	1.2690	1.4388	1.4384	1.6080	1.6075	1.7309	1.7304
05	1.4680	1.4675	1.6314	1.6309	1.7656	1.7651	2.1031	2.1026	1.4686	1.4681	1.6320	1.6315	1.7661	1.7656	2.1036	2.1031
06	1.6631	1.6626	2.9090	1.9085	2.1285	2.1280	2.3780	2.3775	1.6637	1.6632	1.9096	1.9091	2.1291	2.1286	2.3785	2.3780
07	1.9346	1.9341	2.1594	2.1589	2.4591	2.4586	2.6745	2.6740	1.9353	1.9348	2.1600	2.1595	2.4597	2.4592	2.6751	2.6746
08	2.2116	2.2111	2.3760	2.3755	2.7405	2.7400	3.0572	3.0567	2.2123	2.2118	2.3767	2.3762	2.7411	2.7406	3.0578	3.0573
09	2.4317	2.4312	2.6430	2.6424	2.9517	2.9511	3.3894	3.3888	2.4325	2.4320	2.6438	2.6432	2.9526	2.9520	3.3902	3.3896
10	2.6068	2.6062	2.8400	2.8394	3.1311	3.1305	3.7195	3.7189	2.6077	2.6071	2.8409	2.8403	3.1319	3.1313	3.7203	3.7197
11	2.8881	2.8875	3.1697	3.1691	3.4646	3.4640	4.0784	4.0778	2.8892	2.8886	3.1707	3.1701	3.4656	3.4650	4.0793	4.0787
12	3.0882	3.0876	3.3668	3.3662	3.8481	3.8475	4.4280	4.4273	3.0893	3.0887	3.3678	3.3672	3.8491	3.8485	4.4289	4.4282
13	3.2832	3.2826	3.5639	3.5632	4.1649	4.1642	4.7775	4.7768	3.2843	3.2837	3.5649	3.5642	4.1658	4.1651	4.7758	4.7751
14	3.6316	3.6309	3.9323	3.9316	4.3902	4.3895	5.0926	5.0919	3.6329	3.6322	3.9337	3.9330	4.3915	4.3908	5.0938	5.0931
15	3.8266	3.8259	4.1304	4.1297	4.5573	4.5566	5.4770	5.4762	3.8280	3.8273	4.1317	4.1310	4.5585	4.5578	5.4782	5.4774
16	4.0217	4.0210	Δ	Δ	4.9068	4.9061	5.8033	5.8025	4.0230	4.0223	Δ	Δ	4.9081	4.9074	5.8045	5.8037
17	4.3561	4.3554	4.6515	4.6507	5.2829	5.2821	6.1966	6.1958	4.3578	4.3571	4.6772	4.6764	5.2845	5.2837	6.1981	6.1973
18	4.5512	4.5504	5.0292	5.0284	5.5968	5.5960	6.5109	6.5101	4.5529	4.5521	5.0309	5.0301	5.5984	5.5976	6.5124	6.5116
19	4.7463	4.7455	5.2253	5.2245	5.9532	5.9524	6.8308	6.8300	4.7480	4.7472	5.2269	5.2261	5.9548	5.9540	6.8322	6.8314
20	5.1064	5.1056	Δ	Δ	6.3459	6.3451	7.2787	7.2778	5.1082	5.1074	Δ	Δ	6.3474	6.3466	7.2802	7.2793

For shaft diameters larger than above, consult Rexnord Bearing Division.

Δ For size, consult Rexnord Bearing Division.

▲ Shaft diameter limits also apply to Style A outer ring bearings.

■ Hultgren 10 mm ball penetrator; 3000 kg load.

□ Brale penetrator; 150 kg load.

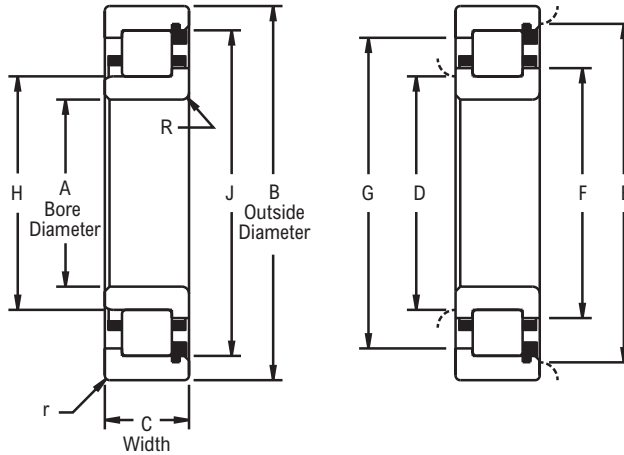
25mm, 30mm, 35mm, 40mm Bores



Photo Shows an Unmounted Cylindrical Roller Bearing Assembly

Product Features

- Fully crowned rollers
- Precision ground ribs
- Contoured roller pockets
- Rollers individually separated
- Optional full complement
- See Features & Benefits for additional info.



Bearing Dimensions

Basic Bearing Number	A Bore Diameter		B Outside Diameter		C Bearing Width		D		E		F	G	H	J	R	r
	mm	in	mm	in	mm	in	Plain	Ribbed	Plain	Ribbed						
1205	25.0000	0.9843	52.0000	2.0472	15.0000	0.5906	30.50	32.00	47.00	44.70	34.32	42.95	32.166	44.854	1.02	1.02
5205					20.6380	0.8125										
1305			62.0000	2.4409	17.0000	0.6693										
7305					21.0000	0.8268										
5305					25.4000	1.0000										
1206	30.0000	1.1811	62.0000	2.4409	16.0000	0.6299	36.10	37.80	56.40	53.80	40.87	51.48	38.062	54.074	1.02	1.02
5206					23.8120	0.9375										
1306			72.0000	2.8346	19.0000	0.7480										
7306					23.0000	0.9055										
5306					30.1620	1.1875										
1207	35.0000	1.3780	72.0000	2.8346	17.0000	0.6693	41.60	43.90	65.30	62.20	47.29	59.51	43.970	62.471	1.02	1.02
5207					26.9980	1.0629										
1307			80.0000	3.1496	21.0000	0.8268										
7307					26.0000	1.0236										
5307					34.9250	1.3750										
1208	40.0000	1.5748	80.0000	3.1496	18.0000	0.7087	47.20	49.80	72.90	69.60	53.44	66.42	49.929	69.619	1.52	1.02
5208					30.1620	1.1875										
1308			90.0000	3.5433	23.0000	0.9055										
7308					30.0000	1.1811										
5308					36.5120	1.4375	49.00	52.10	81.30	77.50	57.00	73.33	52.299	77.663		1.52

Additional Notes

- Please call 1-866-REXNORD for availability
- Dimensions "R" & "r", largest fillet radius that will clear bearing corners
- For the Selection Guide, Load Ratings and Speed Limits, see the Link-Belt Cylindrical Roller Bearing Engineering section
- For shaft and housing bearing seat diameters, see Link-Belt Cylindrical Bearing Shaft & Housing Seat Diameters section
- Note: Dimensions subject to change. Certified dimensions of ordered material furnished on request.

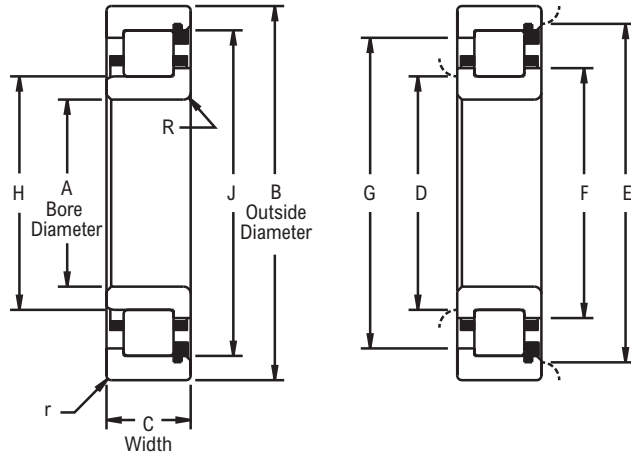
45mm, 50mm, 55mm Bores



Photo Shows an Unmounted Cylindrical Roller Bearing Assembly

Product Features

- Fully crowned rollers
- Precision ground ribs
- Contoured roller pockets
- Rollers individually separated
- Optional full complement
- See Features & Benefits for additional info.



Bearing Dimensions

Basic Bearing Number	A Bore Diameter		B Outside Diameter		C Bearing Width		D		E		F	G	H	J	R	r
	mm	in	mm	in	mm	in	Plain	Ribbed	Plain	Ribbed						
	1209	45.0000	1.7717	85.0000	3.3465	19.0000	0.7480	52.80	55.40	78.20						
5209	30.1620					1.1875										
1309	25.0000					0.9843										
7309	31.0000					1.2205										
5309			100.0000	3.9370	39.6880	1.5625	55.90	59.20	90.40	85.80	64.31	81.48	59.362	86.103	2.03	1.52
1010	50.0000	1.9685	80.0000	3.1496	16.0000	0.6299	56.10	57.60	74.40	72.10	60.43	69.62	57.882	72.151	1.52	1.02
1210					20.0000	0.7874										
5210					30.1620	1.1875										
1310					27.0000	1.0630										
7310					33.0000	1.2992										
5310			110.0000	4.3307	44.4500	1.7500	61.00	65.00	99.10	94.50	70.64	89.36	65.146	94.490	2.03	2.03
1911	55.0000	2.1654	80.0000	3.1496	13.0000	0.5118	59.90	61.70	75.20	73.20	64.26	70.84	61.722	73.378	1.02	1.02
1011					18.0000	0.7087										
1211					21.0000	0.8268										
5211					33.3380	1.3125										
1311					29.0000	1.1417										
7311					36.0000	1.4173										
5311					49.2120	1.9375										

Additional Notes

- Please call 1-866-REXNORD for availability
- Dimensions "R" & "r", largest fillet radius that will clear bearing corners
- For the Selection Guide, Load Ratings and Speed Limits, see the Link-Belt Cylindrical Roller Bearing Engineering section
- For shaft and housing bearing seat diameters, see Link-Belt Cylindrical Bearing Shaft & Housing Seat Diameters section
- Note: Dimensions subject to change. Certified dimensions of ordered material furnished on request.

60mm, 65mm, 70mm Bores

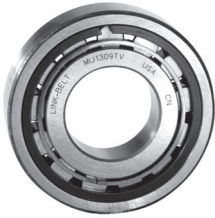
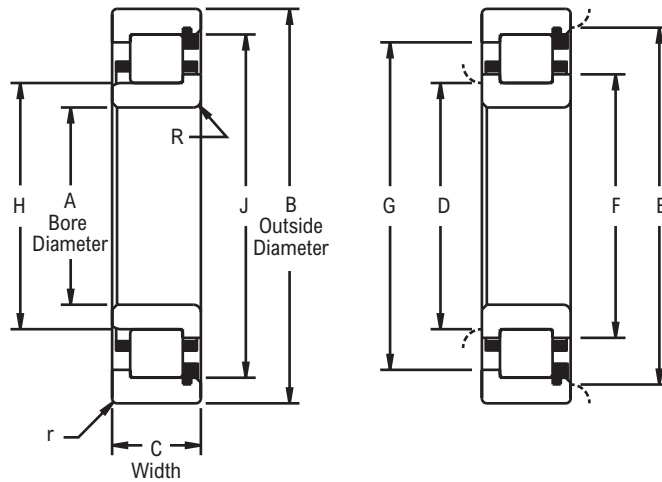


Photo Shows an Unmounted Cylindrical Roller Bearing Assembly

Product Features

- Fully crowned rollers
- Precision ground ribs
- Contoured roller pockets
- Rollers individually separated
- Optional full complement
- See Features & Benefits for additional info.



Bearing Dimensions

Basic Bearing Number	A Bore Diameter		B Outside Diameter		C Bearing Width		D		E		F	G	H	J	R	r	
	mm	in	mm	in	mm	in	Plain	Ribbed	Plain	Ribbed							
1912	60.0000	2.3622	85.0000	3.3465	13.0000	0.5118	65.00	66.80	80.30	78.20	69.34	75.92	66.802	78.461	1.02	1.02	
1012			95.0000	3.7402	18.0000	0.7087	67.00	69.30	88.60	85.30	72.69	82.35	69.499	85.534	1.52		
1212			110.0000	4.3307	22.0000	0.8661	69.30	72.10	101.30	97.50	76.94	93.50	72.380	97.762	2.03		
5212			36.5120	1.4375													
1312			130.0000	5.1181	31.0000	1.2205	72.90	77.50	117.80	112.30	84.02	106.35	77.551	112.486	2.54		2.03
7312					38.0000	1.4961											
5312	53.9750	2.1250															
1913	65.0000	2.5591	90.0000	3.5433	13.0000	0.5118	70.10	71.60	85.30	83.30	74.30	80.87	71.755	83.416	1.02	1.02	
1013			100.0000	3.9370	18.0000	0.7087	72.10	74.40	93.70	90.40	77.72	87.35	74.503	90.541	1.52		
1213			120.0000	4.7244	23.0000	0.9055	77.00	80.30	110.00	105.70	85.34	101.24	80.421	105.804	2.54		
5213			38.1000	1.5000													
1313			140.0000	5.5118	33.0000	1.2992	78.70	83.60	127.00	121.20	90.70	114.68	83.675	121.366	2.03		
7313					40.0000	1.5748											
5313	58.7380	2.3125															
1914	70.0000	2.7559	100.0000	3.9370	16.0000	0.6299	75.90	78.00	94.50	92.20	80.82	89.41	77.978	92.268	1.02	1.02	
1014			110.0000	4.3307	20.0000	0.7874	77.50	80.00	103.40	99.80	84.12	95.99	80.188	99.906	2.03		
1214			125.0000	4.9213	24.0000	0.9449	81.80	84.60	115.60	111.50	89.61	107.01	84.772	111.536	2.54		
5214			39.6880	1.5625													
1314			150.0000	5.9055	35.0000	1.3780	84.30	89.20	135.60	129.30	96.72	122.20	89.192	129.375	3.18		2.03
7314					43.0000	1.6929											
5314	63.6000	2.5039															

Additional Notes

- Please call 1-866-REXNORD for availability
- Dimensions "R" & "r", largest fillet radius that will clear bearing corners
- For the Selection Guide, Load Ratings and Speed Limits, see the Link-Belt Cylindrical Roller Bearing Engineering section
- For shaft and housing bearing seat diameters, see Link-Belt Cylindrical Bearing Shaft & Housing Seat Diameters section
- Note: Dimensions subject to change. Certified dimensions of ordered material furnished on request.

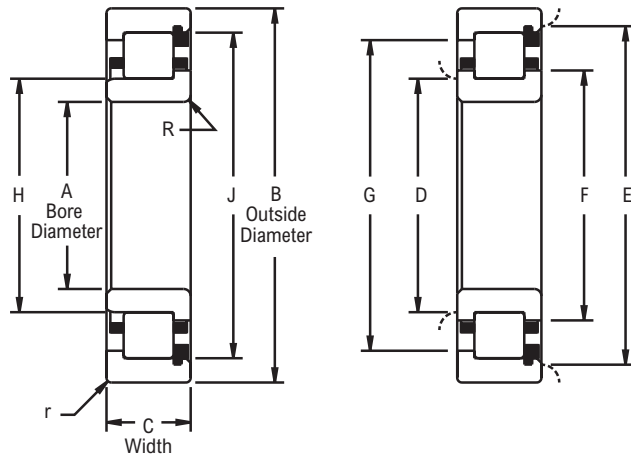
75mm, 80mm, 85mm Bores



Photo Shows an Unmounted Cylindrical Roller Bearing Assembly

Product Features

- Fully crowned rollers
- Precision ground ribs
- Contoured roller pockets
- Rollers individually separated
- Optional full complement
- See Features & Benefits for additional info.



Bearing Dimensions

Basic Bearing Number	A Bore Diameter		B Outside Diameter		C Bearing Width		D		E		F	G	H	J	R	r	
	mm	in	mm	in	mm	in	Plain	Ribbed	Plain	Ribbed							
1915	75.0000	2.9528	105.0000	4.1339	16.0000	0.6299	80.80	82.80	99.60	97.00	85.78	94.39	82.931	97.221	1.02	1.02	
1015			115.0000	4.5276	20.0000	0.7874	82.60	85.10	108.40	104.90	89.15	101.02	85.217	104.938	2.03		
1215			130.0000	5.1181	25.0000	0.9843	85.60	88.90	120.10	115.60	93.85	111.25	89.014	115.781	2.54		
5215			41.2750	1.6250													
1315			160.0000	6.2992	37.0000	1.4567	90.40	95.80	145.80	138.90	104.04	131.37	95.920	139.136	3.18		2.03
7315					46.0000	1.8110											
5315	68.2620	2.6875															
1916	80.0000	3.1496	110.0000	4.3307	16.0000	0.6299	85.80	87.90	104.40	102.10	90.73	99.34	87.884	102.176	1.02	1.02	
1016			125.0000	4.9213	22.0000	0.8661	88.40	91.20	117.60	113.50	95.71	109.45	91.313	113.088	2.03		
1216			140.0000	5.5118	26.0000	1.0236	91.20	95.20	129.30	124.50	100.79	119.38	95.286	124.658	2.54		
5216			44.4500	1.7500													
1316			170.0000	6.6929	39.0000	1.5354	96.00	101.60	154.40	147.30	110.29	139.19	101.636	147.424	3.18	2.03	
7316					49.0000	1.9291											
5316	68.2620	2.6875															
1917	85.0000	3.3465	120.0000	4.7244	18.0000	0.7087	92.20	94.50	113.80	101.50	97.82	107.47	94.615	110.678	1.52	1.02	
1017			130.0000	5.1181	22.0000	0.8661	93.50	96.30	122.70	118.60	100.63	114.48	96.317	118.173	2.03		
1217			150.0000	5.9055	28.0000	1.1024	98.00	101.80	139.20	134.10	108.05	128.42	102.006	134.216	3.18	2.03	
5217			49.2120	1.9375													
1317			180.0000	7.0866	41.0000	1.6142	102.90	108.40	164.30	157.20	118.24	148.64	108.522	157.422	3.96	2.54	
7317					51.0000	2.0079											
5317	73.0250	2.8750															

Additional Notes

- Please call 1-866-REXNORD for availability
- Dimensions "R" & "r", largest fillet radius that will clear bearing corners
- Selection Guide, see Link-Belt Cylindrical Roller Bearing Selection Guide section
- Load Ratings & Speed Limits, see Link-Belt Cylindrical Roller Bearing Load Ratings & Speed Limits section
- For shaft and housing bearing seat diameters, see Link-Belt Cylindrical Bearing Shaft & Housing Seat Diameters section

Note: Dimensions subject to change. Certified dimensions of ordered material furnished on request.

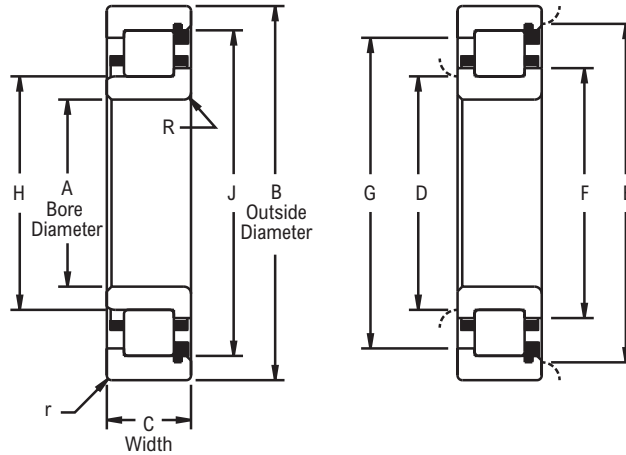
90mm, 95mm, 100mm Bores



Photo Shows an Unmounted Cylindrical Roller Bearing Assembly

Product Features

- Fully crowned rollers
- Precision ground ribs
- Contoured roller pockets
- Rollers individually separated
- Optional full complement
- See Features & Benefits for additional info.



Bearing Dimensions

Basic Bearing Number	A Bore Diameter		B Outside Diameter		C Bearing Width		D		E		F	G	H	J	R	r		
	mm	in	mm	in	mm	in	Plain	Ribbed	Plain	Ribbed								
1918	90.0000	3.5433	125.0000	4.9213	18.0000	0.7087	97.00	99.60	118.60	115.60	102.77	112.92	99.568	115.636	1.52	1.02		
1018			140.0000	5.5118	24.0000	0.9449	99.60	102.40	131.60	127.80	107.42	122.71	102.362	127.775	2.54	1.52		
1218			30.0000	1.1811	160.0000	6.2992	52.3880	2.0625	103.10	107.20	147.60	142.00	114.17	135.89	107.218	142.189	3.18	2.03
5218			43.0000	1.6929			73.0250	2.8750										
1318			190.0000	7.4803	54.0000	2.1260	108.20	113.80	172.70	165.40	124.33	156.16	114.031	165.047	3.96	2.54		
7318					77.7780	3.0621												
5318																		
1919	95.0000	3.7402	130.0000	5.1181	18.0000	0.7087	102.10	104.40	123.70	120.40	107.72	117.40	104.521	120.589	1.52	1.02		
1019			145.0000	5.7087	24.0000	0.9449	104.40	107.20	136.60	132.60	112.40	127.68	107.340	132.756	2.54	1.52		
1219			32.0000	1.2598	170.0000	6.6929	55.5620	2.1875	109.00	113.30	157.00	151.10	121.03	144.48	113.518	151.242	3.18	2.03
5219			45.0000	1.7717														
1319			200.0000	7.8740	56.0000	2.2047	115.10	121.90	181.90	173.50	132.46	164.29	122.154	173.530	3.96	2.54		
7319					77.7780	3.0621												
5319																		
1920	100.0000	3.9370	140.0000	5.5118	20.0000	0.7874	107.20	110.00	133.40	129.50	113.92	125.81	109.995	129.738	1.52	1.02		
1020			150.0000	5.9055	24.0000	0.9449	109.50	112.30	141.70	137.70	117.52	132.59	112.344	137.759	2.54	1.52		
1220			34.0000	1.3386	180.0000	7.0866	60.3250	2.3750	116.10	120.90	167.10	161.00	128.45	154.18	121.006	161.216	3.96	2.03
5220			47.0000	1.8504														
1320			215.0000	8.4646	60.0000	2.3622	122.40	130.00	194.60	184.60	140.46	175.06	130.165	184.907	4.75	2.54		
7320					82.5500	3.2500												
5320																		

Additional Notes

- Please call 1-866-REXNORD for availability
- Dimensions "R" & "r", largest fillet radius that will clear bearing corners
- Selection Guide, see Link-Belt Cylindrical Roller Bearing Selection Guide section
- Load Ratings & Speed Limits, see Link-Belt Cylindrical Roller Bearing Load Ratings & Speed Limits section
- For shaft and housing bearing seat diameters, see Link-Belt Cylindrical Bearing Shaft & Housing Seat Diameters section

Note: Dimensions subject to change. Certified dimensions of ordered material furnished on request.

105mm, 110mm, 120mm Bores

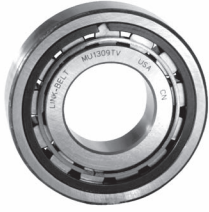
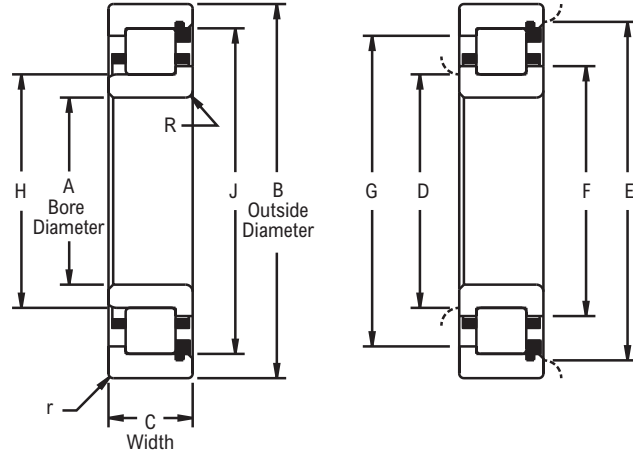


Photo Shows an Unmounted Cylindrical Roller Bearing Assembly

Product Features

- Fully crowned rollers
- Precision ground ribs
- Contoured roller pockets
- Rollers individually separated
- Optional full complement
- See Features & Benefits for additional info.



Bearing Dimensions

Basic Bearing Number	A Bore Diameter		B Outside Diameter		C Bearing Width		D		E		F	G	H	J	R	r
	mm	in	mm	in	mm	in	Plain	Ribbed	Plain	Ribbed						
1921	105.0000	4.1339	145.0000	5.7087	20.0000	0.7874	112.00	114.80	138.20	134.60	118.92	130.81	114.996	134.739	1.52	1.02
1021			160.0000	6.2992	26.0000	1.0236	115.80	119.10	150.10	145.80	124.48	140.61	119.151	145.941	2.54	2.03
1221			190.0000	7.4803	36.0000	1.4173	121.40	126.50	175.30	168.40	134.87	161.01	126.520	168.562	3.96	
5221			65.0880	2.5625	49.0000	1.9291	128.00	136.10	203.40	193.30	147.17	183.16	136.185	193.456	4.75	2.54
1321			225.0000	8.8583	63.0000	2.4803										
7321			87.3120	3.4375	87.3120	3.4375										
5321																
1922	110.0000	4.3307	150.0000	5.9055	20.0000	0.7874	117.10	119.90	143.20	139.70	123.93	135.81	119.995	139.741	1.52	1.02
1022			170.0000	6.6929	28.0000	1.1024	121.90	125.20	159.20	154.70	131.09	149.00	125.349	154.744	2.54	2.03
1222			200.0000	7.8740	38.0000	1.4961	127.20	132.80	183.90	176.00	141.60	168.43	132.951	176.192	3.96	
5222			69.8500	2.7500	50.0000	1.9685	135.90	145.00	217.20	206.20	157.48	195.38	145.255	206.337	4.75	2.54
1322			240.0000	9.4488	65.0000	2.5591										
7322			92.0750	3.6250	92.0750	3.6250										
5322																
1924	120.0000	4.7244	165.0000	6.4961	22.0000	0.8661	129.80	131.30	157.70	153.90	135.97	149.50	131.498	153.985	2.03	1.02
1024			180.0000	7.0866	28.0000	1.1024	132.10	135.10	169.20	164.60	141.22	158.90	135.357	164.754	3.18	2.03
1224			215.0000	8.4646	40.0000	1.5748	139.20	145.00	198.90	190.80	154.30	182.73	145.138	190.952	4.75	
5224			76.2000	3.0000	55.0000	2.1654	147.80	157.00	135.20	223.00	170.18	211.20	157.023	223.053	6.35	2.54
1324			260.0000	10.2362	71.0000	2.7953										
7324			104.7750	4.1250	104.7750	4.1250										
5324																

Additional Notes

- Please call 1-866-REXNORD for availability
- Dimensions "R" & "r", largest fillet radius that will clear bearing corners
- For the Selection Guide, Load Ratings and Speed Limits, see the Link-Belt Cylindrical Roller Bearing Engineering section
- For shaft and housing bearing seat diameters, see Link-Belt Cylindrical Bearing Shaft & Housing Seat Diameters section
- Note: Dimensions subject to change. Certified dimensions of ordered material furnished on request.

130mm, 140mm, 150mm Bores

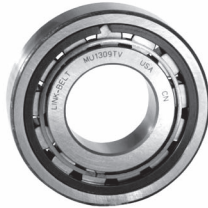
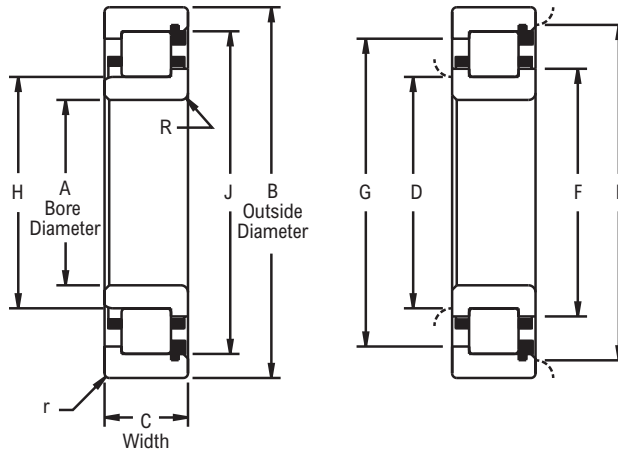


Photo Shows an Unmounted Cylindrical Roller Bearing Assembly

Product Features

- Fully crowned rollers
- Precision ground ribs
- Contoured roller pockets
- Rollers individually separated
- Optional full complement
- See Features & Benefits for additional info.



Bearing Dimensions

Basic Bearing Number	A Bore Diameter		B Outside Diameter		C Bearing Width		D		E		F	G	H	J	R	r		
	mm	in	mm	in	mm	in	Plain	Ribbed	Plain	Ribbed								
1926	130.0000	5.1181	180.0000	7.0866	24.0000	0.9449	139.20	142.20	171.70	167.60	147.42	162.99	142.367	167.085	2.03	1.52		
1026			200.0000	7.8740	33.0000	1.2992	143.00	147.60	188.20	182.40	154.56	175.59	147.574	182.570	3.18	2.03		
1226			40.0000	1.5748	230.0000	9.0551	79.3750	3.1250	149.10	154.90	213.90	206.20	164.72	197.13	154.973	206.375	4.75	2.54
5226			58.0000	2.2835														
1326			280.0000	11.0236	75.0000	2.9528	160.30	170.40	254.50	242.60	184.91	229.77	170.536	242.755	6.35	3.18		
7326					111.1250	4.3750												
5326																		
1928	140.0000	5.5118	190.0000	7.4803	24.0000	0.9449	149.10	152.40	181.60	177.80	157.48	172.80	152.425	177.868	2.03	1.52		
1028			210.0000	8.2677	33.0000	1.2992	153.70	157.50	198.10	192.50	164.54	185.60	157.556	192.557	3.96	2.03		
1228			42.0000	1.6535	250.0000	9.8425	82.5500	3.2500	161.50	168.40	232.40	224.30	179.07	214.38	168.460	224.417	4.75	2.54
5228			62.0000	2.4409														
1328			300.0000	11.8110	83.0000	3.2677	172.00	181.60	271.30	258.10	196.98	244.35	181.684	258.082	7.92	3.18		
7328					114.3000	4.5000												
5328																		
1930	150.0000	5.9055	210.0000	8.2677	28.0000	1.1024	161.50	165.40	199.10	194.60	171.22	188.92	165.354	194.790	3.18	2.03		
1030			225.0000	8.8583	35.0000	1.3780	164.30	168.60	212.30	206.20	176.20	198.93	168.681	206.454	3.96			
1230			45.0000	1.7717	270.0000	10.6299	88.9000	3.5000	174.20	181.40	251.00	241.80	193.04	231.01	181.544	241.854	6.35	2.54
5230																		

Additional Notes

- Please call 1-866-REXNORD for availability
- Dimensions "R" & "r", largest fillet radius that will clear bearing corners
- For the Selection Guide, Load Ratings and Speed Limits, see the Link-Belt Cylindrical Roller Bearing Engineering section
- For shaft and housing bearing seat diameters, see Link-Belt Cylindrical Bearing Shaft & Housing Seat Diameters section
- Note: Dimensions subject to change. Certified dimensions of ordered material furnished on request.

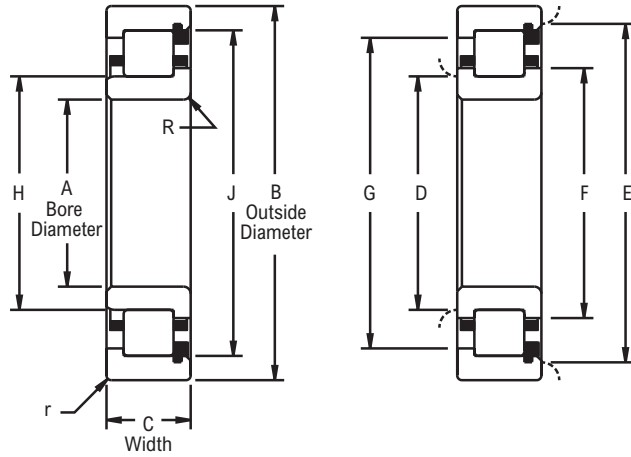
160mm, 170mm, 180mm, 190mm, 200mm Bores



Photo Shows an Unmounted Cylindrical Roller Bearing Assembly

Product Features

- Fully crowned rollers
- Precision ground ribs
- Contoured roller pockets
- Rollers individually separated
- Optional full complement
- See Features & Benefits for additional info.



Bearing Dimensions

Basic Bearing Number	A Bore Diameter		B Outside Diameter		C Bearing Width		D		E		F	G	H	J	R	r
	mm	in	mm	in	mm	in	Plain	Ribbed	Plain	Ribbed						
1932	160.0000	6.2992	220.0000	8.6614	28.0000	1.1024	171.70	175.30	209.30	204.70	181.25	198.96	175.387	204.828	3.18	2.03
1032			240.0000	9.4488	38.0000	1.4961	175.50	179.80	226.60	220.00	187.96	212.17	179.934	220.193	3.96	
1232			290.0000	11.4173	48.0000	1.8898	185.70	193.50	269.50	259.60	205.87	247.83	193.634	259.705	6.35	
5232			98.4250	3.8750												
1934	170.0000	6.6929	230.0000	9.0551	28.0000	1.1024	181.60	185.40	219.20	214.60	191.29	208.99	185.420	214.866	3.18	2.03
1034			260.0000	10.2362	42.0000	1.6535	188.20	193.30	244.10	236.50	202.31	227.81	193.421	236.710	4.75	
1234			310.0000	12.2047	52.0000	2.0472	197.10	205.20	287.50	277.60	219.08	264.74	205.483	277.734	6.35	
5234			104.7750	4.1250												
1936	180.0000	7.0866	250.0000	9.8425	33.0000	1.2992	193.00	197.60	238.20	232.40	204.60	225.68	197.612	232.644	3.96	2.03
1036			280.0000	11.0236	46.0000	1.8110	199.60	205.50	262.90	254.50	215.34	244.80	205.588	254.551	4.75	
1236			320.0000	12.5984	52.0000	2.0472	207.50	216.20	298.20	288.50	229.87	275.56	216.289	288.544	6.35	
5236			107.9500	4.2500												
1938	190.0000	7.4803	260.0000	10.2362	33.0000	1.2992	202.90	182.10	248.40	242.60	214.71	235.79	207.719	242.768	3.96	2.03
1038			290.0000	11.4173	46.0000	1.8110	209.60	215.40	272.80	264.40	225.93	254.23	215.595	264.576	4.75	
1238			340.0000	13.3858	55.0000	2.1654	220.10	229.10	320.37	309.63	244.11	290.48	229.276	309.723	7.42	
5238			114.3000	4.5000												
1940	200.0000	7.8740	280.0000	11.0236	38.0000	1.4961	215.40	220.00	266.40	260.10	227.99	252.22	219.964	260.256	4.75	2.03
1040			310.0000	12.2047	51.0000	2.0079	221.00	227.60	291.30	282.40	238.61	271.58	227.686	282.506		
1240			360.0000	14.1732	58.0000	2.2835	232.40	242.10	334.50	322.60	257.43	308.20	242.197	322.651	7.92	
5240			120.6500	4.7500												

Additional Notes

- Please call 1-866-REXNORD for availability
- Dimensions "R" & "r", largest fillet radius that will clear bearing corners
- For the Selection Guide, Load Ratings and Speed Limits, see the Link-Belt Cylindrical Roller Bearing Engineering section
- For shaft and housing bearing seat diameters, see Link-Belt Cylindrical Bearing Shaft & Housing Seat Diameters section
- Note: Dimensions subject to change. Certified dimensions of ordered material furnished on request.

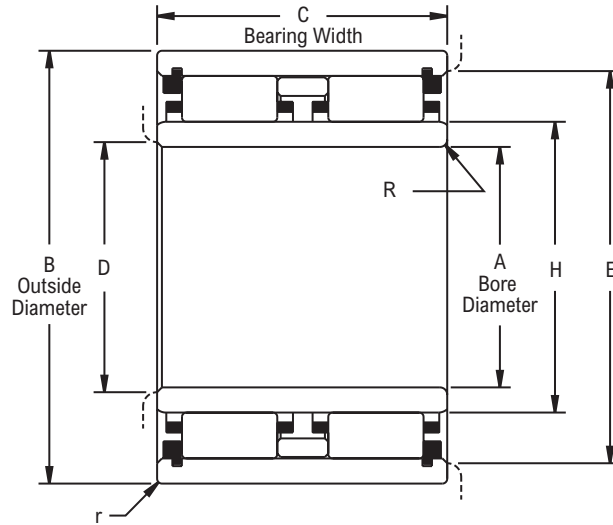
25mm thru 60mm Bores



Photo Shows an Unmounted Cylindrical Roller Bearing Assembly

Product Features

- Double row
- Fully crowned rollers
- Contoured roller pockets
- Rollers individually separated
- See Features & Benefits for additional info.



Bearing Dimensions

Basic Bearing Number	A Bore Diameter		B Outside Diameter		C Bearing Width		D	E	H	J O.R. Raceway I.D.	R	r	C Basic Load Rating	Co Basic Static Load Rating
	mm	in	mm	in	mm	in								
6205	25.0000	0.9843	52.0000	2.0472	41.2750	1.6250	30.50	47.00	32.166	44.854	1.02	1.02	10,200	15,700
6206	30.0000	1.1811	62.0000	2.4409	47.6250	1.8750	36.10	56.40	38.062	54.074	1.02	1.02	15,500	24,300
6207	35.0000	1.3780	72.0000	2.8346	53.9750	2.1250	41.60	65.30	43.970	62.471	1.02	1.02	19,400	30,600
6208	40.0000	1.5748	80.0000	3.1496	60.3250	2.3750	47.20	72.90	49.929	69.619	1.52	1.02	24,600	41,300
6209	45.0000	1.7717	85.0000	3.3465	60.3250	2.3750	52.80	78.20	55.519	74.988	1.52	1.02	26,700	47,500
6210	50.0000	1.9685	90.0000	3.5433	60.3250	2.3750	57.60	82.80	60.460	79.545	1.52	1.02	27,100	50,300
6211	55.0000	2.1654	100.0000	3.9370	66.6750	2.6250	64.00	87.90	66.901	88.019	2.03	1.52	32,900	61,900
6212	60.0000	2.3622	110.0000	4.3307	73.0250	2.8750	69.30	101.30	72.380	97.762	2.03	1.52	42,300	77,700
6213	65.0000	2.5591	120.0000	4.7244	76.2000	3.0000	77.00	110.00	80.421	105.804	2.54	1.52	45,900	88,700
6214	70.0000	2.7559	125.0000	4.9213	79.3750	3.1250	81.80	115.60	84.772	111.536	2.54	1.52	51,300	100,000
6215	75.0000	2.9528	130.0000	5.1181	82.5500	3.2500	85.60	120.10	89.014	115.781	2.54	1.52	55,800	113,000
6216	80.0000	3.1496	140.0000	5.5118	88.9000	3.5000	91.20	129.30	95.286	124.658	2.54	2.03	63,100	127,000
6217	85.0000	3.3465	150.0000	5.9055	98.4250	3.8750	98.00	101.80	102.006	134.216	3.18	2.03	77,600	159,000
6218	90.0000	3.5433	160.0000	6.2992	104.7750	4.1250	103.10	147.60	107.218	142.189	3.18	2.03	87,400	178,000
6219	95.0000	3.7402	170.0000	6.6929	111.1250	4.3750	109.00	157.00	113.518	151.242	3.18	2.03	100,000	206,000

Additional Notes

- Please call 1-866-REXNORD for availability
- Dimensions "R" & "r", largest fillet radius that will clear bearing corners
- For the Selection Guide, Load Ratings and Speed Limits, see the Link-Belt Cylindrical Roller Bearing Engineering section
- Note: Dimensions subject to change. Certified dimensions of ordered material furnished on request.

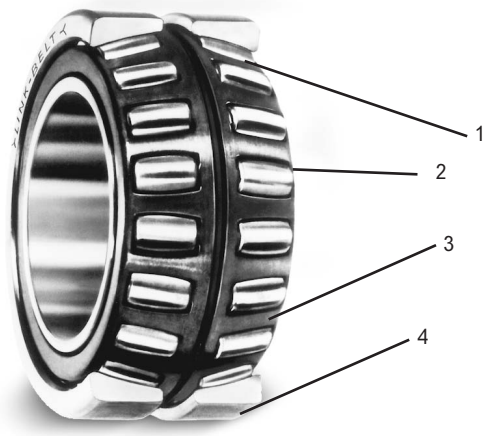


Industries Served

- Mining
- Forest Products
- Aggregates
- Steel
- Air Handling
- Construction
- Package Handling
- Waste Water Treatment

Series A20000 Spherical Roller Bearings

Self-aligning separable outer ring bearings of single row adjustable and double row adjustable or non adjustable types for high capacity and minimum space requirements. These compact bearings feature the latest design refinements.



1. Raceway Curvatures.

Controlled raceway curvatures afford precise osculation clearance to avoid edge loading and provide high capacity.

2. Steel Retainer Pockets.

Roller guidance is provided by double contoured coined steel retainer pockets.

3. Large rollers for extended bearing life.

4. Micro-finished raceways assure smooth operation.

Rollers

Rollers symmetrical roller design permits natural roller positioning and distribution of load in dynamic operation. Curvatures of roller contact surfaces are contoured to control stress distribution under all combinations of radial and thrust loads within design capacities.

Rings

The geometry and sections of the outer and inner rings and rollers result in high capacity and long bearing life. Controlled raceway curvatures on inner and outer rings and rollers afford precise osculation clearances preventing roller edge loading. Outer ring raceways are spherically finished to provide freedom of alignment under variable conditions.

Retainers

Double contoured deep coined pockets provide accurate roller guidance. Separate retainer for each row of rollers allows rollers to seek ultimate rolling path and operating angle for all radial/thrust load conditions.

A 20000 Nomenclature

Symbol	Description	A	22	196	M	C0	C40
A	Spherical roller bearing, separable outer ring(s)						
22	Basic bearing series						
23	Larger O.D. or greater load rating than series 22						
24	Larger O.D. or greater load rating than series 23						
196	Bore size in hundredths of an inch						
None	Double row roller bearing; separable outer rings						
M	Double row bearing; separable outer rings with spacer for preadjusted clearance						
S	Single row roller bearing; adjustable						
C2	Internal clearance less than C0						
C0	Standard internal clearance						
C3	Internal clearance greater than C0						
W22	Reduced O.D. tolerance in center of tolerance range						
C40	Reduced O.D. tolerance in high half of tolerance range						
C50	Reduced O.D. tolerance in low half of tolerance range						

Link-Belt Series A20000S Selection Guide

A20000S single row angular contact spherical roller bearings are suitable for a wide variety of mounting arrangements. In the application of these bearings, it is important to consider that radial loads produce a thrust reaction which must be opposed by another force... usually the thrust reaction from another bearing. This force maintains the bearing rings in their correct operating position.

Normally, two single row angular contact bearings are mounted opposed to one another on a common shaft. As thrust or thrust reactions are always present, it is advisable to calculate both bearing lives concurrently.

Steps for Selection

Step 1

Determine an appropriate L10 design life.

Type of service	Operating time, hours per year	Design life, years	L10 design life, hours
Light seasonal usage	500 to 750	3-5	3,000
Heavy seasonal usage	1,400 to 1,600	4-6	8,000
Industrial—8 hour shift	2,000	10	20,000
Industrial—16 hour shift	4,000	10	40,000
Industrial—continuous	8,700	10	80,000 to 100,000
Continuous—high reliability	—	—	120,000 to 300,000

Step 2

Determine a required $\left(\frac{C}{P}\right)$ from Table 1.

Step 3

Determine a required shaft diameter and make a temporary selection for each bearing to fit this shaft.

Step 4

Calculate each induced thrust reaction TF from the radial loads Fr on each bearing.

$$TF = \frac{0.5 Fr}{Y2}$$

This reaction is directed along the shaft and tends to separate the individual inner ring and roller assemblies from their outer rings.

The selection procedures and rating formulas shown here are in agreement with The American Bearing Manufacturers Association Standards and ANSI/ ABMA STD 11-1990. Ratings are based on fatigue life. The Rating Life L10 or fatigue life at 90% reliability is the usual basis for bearing selection.

To assure a satisfactory bearing application, fitting practice, mounting, lubrication, sealing, static rating, housing strength, operating conditions and maintenance must be considered.

Step 5

Calculate resultant bearing thrust load Fa.

$$F_a = T_f + T$$

Tf is the thrust reaction from the opposite single row angular contact bearing. The applied thrust load T is positive (+) if in the same direction as Tf, and negative (-) if in the opposite direction. If Fa is negative, substitute zero for Fa.

Step 6

Calculate the ratio of the resultant bearing thrust load Fa to the radial load Fr for each bearing.

Step 7

Calculate the equivalent radial load P for both trial bearings.

$$P = XFr + YFa$$

If $\frac{F_a}{F_r}$ is equal to or less than e, then

$$P = X1Fr + Y1Fa \quad \text{where} \quad \begin{matrix} X1 = 1.0 \\ Y1 = 0 \end{matrix}$$

If $\frac{F_a}{F_r}$ is greater than e, then $P = X2Fr + Y2Fa$.

$$\frac{F_a}{F_r}$$

For values of e, X2, and Y2, see the bearing rating table.

Step 8

Calculate the required C rating of each bearing to verify the trial selections.

required $C = \left(\frac{C}{P}\right) P$ using $\left(\frac{C}{P}\right)$ from Step 2

Consult the bearing rating table to see if the selected bearings meet or exceed the required C in each case.

Selection

Symbols for formulas:

C = basic load rating, pounds (or newtons)	n = speed, revolutions per minute
Co = static load rating, pounds (or newtons)	P = equivalent radial load, pounds (or newtons)
e = a reference value	X = radial factor
Fa = thrust load, pounds (or newtons)	Y = thrust factor
Fr = radial load, pounds (or newtons)	
L10 = rating life, hours	

Table 1 • Relation of L₁₀ life and speed to $\left(\frac{C}{P}\right)$

Bearing Life Hours L ₁₀	Speed, n									
	50	100	200	300	400	500	600	700	800	
3000	1.93	2.38	2.93	3.31	3.61	3.86	4.07	4.27	4.44	
4000	2.11	2.59	3.19	3.61	3.93	4.20	4.44	4.65	4.84	
5000	2.25	2.77	3.42	3.86	4.20	4.50	4.75	4.97	5.18	
6000	2.38	2.93	3.61	4.07	4.44	4.75	5.02	5.25	5.47	
8000	2.59	3.19	3.93	4.44	4.84	5.18	5.47	5.73	5.96	
10000	2.77	3.42	4.20	4.75	5.18	5.54	5.85	6.12	6.37	
12000	2.93	3.61	4.44	5.02	5.47	5.85	6.18	6.47	6.73	
14000	3.07	3.78	4.65	5.25	5.73	6.12	6.47	6.77	7.05	
16000	3.19	3.93	4.84	5.47	5.96	6.37	6.73	7.05	7.34	
18000	3.31	4.07	5.02	5.66	6.18	6.60	6.97	7.30	7.60	
20000	3.42	4.20	5.18	5.85	6.37	6.81	7.20	7.54	7.85	
25000	3.65	4.50	5.54	6.25	6.81	7.29	7.70	8.06	8.39	
30000	3.86	4.75	5.85	6.60	7.20	7.70	8.13	8.51	8.86	
35000	4.04	4.97	6.12	6.92	7.54	8.06	8.51	8.92	9.28	
40000	4.20	5.18	6.37	7.20	7.85	8.39	8.86	9.28	9.66	
45000	4.36	5.36	6.60	7.46	8.13	8.69	9.18	9.61	10.00	
50000	4.50	5.54	6.81	7.70	8.39	8.97	9.48	9.92	10.30	
60000	4.75	5.85	7.20	8.13	8.86	9.48	10.00	10.50	10.90	
70000	4.97	6.12	7.54	8.51	9.28	9.92	10.50	11.00	11.40	
80000	5.18	6.37	7.85	8.86	9.66	10.30	10.90	11.40	11.90	
90000	5.36	6.60	8.13	9.18	10.00	10.70	11.30	11.80	12.30	
100000	5.54	6.81	8.39	9.48	10.30	11.00	11.70	12.20	12.70	
150000	6.25	7.70	9.48	10.70	11.70	12.50	13.20	13.80	14.40	
200000	6.81	8.39	10.30	11.70	12.70	13.60	14.40	15.00	15.70	

	Speed, n									
	900	1000	1200	1500	1800	2400	3000	3600	6000	
3000	4.60	4.75	5.02	5.36	5.66	6.18	6.60	6.97	8.13	
4000	5.02	5.18	5.47	5.85	6.18	6.73	7.20	7.60	8.86	
5000	5.36	5.54	5.85	6.25	6.60	7.20	7.70	8.13	9.48	
6000	5.66	5.85	6.18	6.60	6.97	7.60	8.13	8.59	10.00	
8000	6.18	6.37	6.73	7.20	7.60	8.29	8.86	9.36	10.90	
10000	6.60	6.81	7.20	7.70	8.13	8.86	9.48	10.00	11.70	
12000	6.97	7.20	7.60	8.13	8.59	9.36	10.00	10.60	12.30	
14000	7.30	7.54	7.96	8.51	8.99	9.80	10.50	11.10	12.90	
16000	7.60	7.85	8.29	8.86	9.36	10.20	10.90	11.50	13.40	
18000	7.88	8.13	8.59	9.18	9.70	10.60	11.30	11.90	13.90	
20000	8.13	8.39	8.86	9.48	10.00	10.90	11.70	12.30	14.40	
25000	8.69	8.97	9.48	10.10	10.70	11.70	12.50	13.20	15.40	
30000	9.18	9.48	10.00	10.70	11.30	12.30	13.20	13.90	16.20	
35000	9.61	9.92	10.50	11.20	11.80	12.90	13.80	14.60	17.00	
40000	10.00	10.30	10.90	11.70	12.30	13.40	14.40	15.20	17.70	
45000	10.40	10.70	11.30	12.10	12.80	13.90	14.90	15.70	18.30	
50000	10.70	11.00	11.70	12.50	13.20	14.40	15.40	16.20	18.90	
60000	11.30	11.70	12.30	13.20	13.90	15.20	16.20	17.10	20.00	
70000	11.80	12.20	12.90	13.80	14.60	15.90	17.00	17.90	20.90	
80000	12.30	12.70	13.40	14.40	15.20	16.50	17.70	18.70	21.80	
90000	12.80	13.20	13.90	14.90	15.70	17.10	18.30	19.40	22.60	
100000	13.20	13.60	14.40	15.40	16.20	17.70	18.90	20.00	23.30	
150000	14.90	15.40	16.20	17.30	18.30	20.00	21.40	22.60	26.30	
200000	16.20	16.70	17.70	18.90	20.00	21.80	23.30	24.60	28.70	

Basic Formula

$$\left(\frac{C}{P}\right) = \left(\frac{L_{10} \times n \times 60}{1,000,000}\right)^{3/10}$$

$$L_{10} = \frac{\left(\frac{C}{P}\right)^{10/3} \times 1,000,000}{n \times 60}$$

Life Expectancy (pair of bearings)

To calculate the Rating Life L₁₀ of any pair of selected or trial bearings:

Step 1

Calculate each induced thrust reaction T_F from the radial loads F_r on each bearing.

$$T_F = \frac{0.5 F_r}{Y_2}$$

This reaction is directed along the shaft and tends to separate the individual inner ring and roller assemblies from their outer rings.

Step 2

Calculate each resultant bearing thrust load F_a.

$$F_a = T_F + T$$

T_F is the thrust reaction from the opposite single row angular contact bearing. The applied thrust load T is positive (+) if in the same direction as T_F, and negative (-) if in the opposite direction. If F_a is negative, substitute zero for F_a.

Step 3

Calculate the ratio of the resultant bearing thrust load F_a to the radial load F_r for each bearing.

Step 4

Calculate the equivalent radial load P for both trial bearings. P = XFr + YFa

If $\frac{F_a}{F_r}$ is equal to or less than e, then
 $P = X1Fr + Y1Fa$ where

If $\frac{F_a}{F_r}$ is greater than e, then
 $P = X2Fr + Y2Fa$.

For values of e, X₂, and Y₂ see the bearing rating table.

Step 5

Calculate each ratio of the bearing basic load rating C to its equivalent radial load.

$$\left(\frac{C}{P}\right)$$

Step 6

Approximate life expectancy of each bearing from Table 1.

Life Adjustment

The Rating Life, L₁₀, may be modified for some applications in accordance with the formula

$$L_n = a_1 a_2 a_3 L_{10}$$

where L_n = Adjusted life for (100-n) % reliability,

a₁ = Life adjustment factor for reliability

a₂ = Life adjustment factor for material and processing

a₃ = Life adjustment factor for operating conditions.

For most normal applications, all factors will be taken as 1, and the Rating Life used as the selection basis or life estimate. In addition, as long as standard catalog bearings are used, a₂ will be normally set equal to one. The factor a₃ covers such things as lubrication, misalignment, and temperature.

Some conditions that could yield a₃ significantly different than unity include speeds less than 20000 DN or greater than 200000 DN, temperatures below -40°F (-40°C) or above 275°F (135°C). For other possible conditions, as well as additional information on life adjustment factors, consult Rexnord Bearing Division.

Table 2 • Series A2000S Load Ratings and Speed Limits

Bearing number	Weight		Co Static Load Rating		C Basic Load Rating		Approx. Speed Limit RPM [^]	e	X2	Y2		
	Kilograms	pounds	newtons	pounds	newtons	pounds						
A22100S	0.2	0.5	36	500	8210	33	300	7480	7100	0.51	0.40	1.17
A22150S	0.3	0.6	46	600	10500	37	800	8510	5700	0.44	0.40	1.37
A22196S	0.5	1.1	73	800	16600	55	100	12400	4500	0.40	0.40	1.49
A23225S	0.6	1.4	98	800	22200	68	500	15400	4000	0.40	0.40	1.49
A22262S	0.9	2.0	136	100	30600	93	200	21000	3500	0.37	0.40	1.61
A23275S	2.1	4.7	187	700	42200	150	300	33800	2850	0.40	0.40	1.49
A22300S	1.4	3.0	159	200	35800	108	500	24400	3100	0.38	0.40	1.59
A23300S	2.3	5.0	201	500	45300	132	600	29800	2650	0.38	0.40	1.57
A23334S	2.0	4.4										
A22413S	4.1	9.0	395	100	88800	244	700	55000	2100	0.38	0.40	1.60

Please consult for availability.

[^] For oil lubrication only. For grease lubrication, use 75% of these values.

Table 3 • Series A20000, A20000M Load Ratings and Speed Limits

Bearing Number	Weight		Co Static Load Rating		C Basic Load Rating		Approximate speed limit RPM*	e	$\frac{F_a}{F_r} \leq e$		$\frac{F_a}{F_r} > e$	
	kilograms	pounds	newtons	newtons	newtons	pounds			X1	Y1	X2	Y2
A22100	0.4	1.0										
A22100M	0.4	1.0	66 100	14900	51 200	11500	7100	0.51	1.00	1.32	0.67	1.96
A22112	0.4	0.9										
A22112M	0.4	0.9										
A22118	0.6	1.3	80 500	18100	60 900	13700	6200	0.48	1.00	1.40	0.67	2.08
A22118M	0.6	1.4										
A22125	0.5	1.1										
A22125M	0.5	1.2										
A22137	0.6	1.3	93 200	20900	64 900	14600	5700	0.44	1.00	1.54	0.67	2.29
A22137M	0.6	1.4										
A22150	0.5	1.2										
A22150M	0.6	1.3										
A22177	0.9	2.0	127 700	28700	89 800	20200	4800	0.45	1.00	1.51	0.67	2.25
A22177M	0.9	2.0										
A22196	1.0	2.1	147 700	33200	94 300	21200	4500	0.40	1.00	1.68	0.67	2.50
A22196M	1.0	2.3										
A23196	1.4	3.1	189 000	42500	130 300	29300	4200	0.45	1.00	1.50	0.67	2.24
A23196M	1.5	3.3										
A24196	2.0	4.3	245 500	55200	164 600	37000	3850	0.48	1.00	1.39	0.67	2.07
A24196M	2.1	4.7										
A23200	1.4	3.2										
A23200M	1.5	3.3	197 500	44400	117 400	26400	4000	0.40	1.00	1.68	0.67	2.50
A23225	1.3	2.8										
A23225M	1.3	2.9										
A24236	1.8	3.9	238 000	53500	139 700	31400	3600	0.38	1.00	1.80	0.67	2.68
A24236M	2.0	4.3										
A22262	1.9	4.2	272 700	61300	159 700	35900	3500	0.37	1.00	1.81	0.67	2.70
A23262	2.9	6.5	249 400	67300	194 400	43700	3250	0.42	1.00	1.62	0.67	2.42
A23262M	3.1	6.9										
A23275	4.2	9.3	375 000	84300	257 500	57900	2850	0.40	1.00	1.67	0.67	2.49
A23275M	4.4	9.8										
A22275	3.0	6.6	318 000	71500	185 900	41800	3100	0.38	1.00	1.79	0.67	2.67
A22275M	3.1	6.8										
A22295	2.7	6.0										
A22295M	2.8	6.2										
A23334	4.0	8.9	403 400	90700	226 800	51000	2650	0.38	1.00	1.77	0.67	2.64
A23334M	4.3	9.4										
A22343	4.3	9.4	516 000	116000	274 000	61600	2600	0.43	1.00	1.57	0.67	2.33
A22343M	4.4	9.8										
A22351	4.9	10.9										
A22351M	5.1	11.3										
A22362	4.7	10.4										
A22362M	4.9	10.8										
A24374	7.5	16.0	609 400	137000	351 800	79100	2200	0.36	1.00	1.88	0.67	2.79
A22354	9.6	21.1										
A22354M	10.0	22.1										
A22400	8.6	18.9	790 200	178000	419 400	94300	2100	0.38	1.00	1.80	0.67	2.68
A22400M	8.8	19.3										
A22413	8.4	18.6										
A22413M	8.7	19.1										
A23472	13.6	30.0	944 700	212000	520 400	117000	1800	0.37	1.00	1.83	0.67	2.72

* For oil lubrication only. For grease lubrication, use 75% of these values.

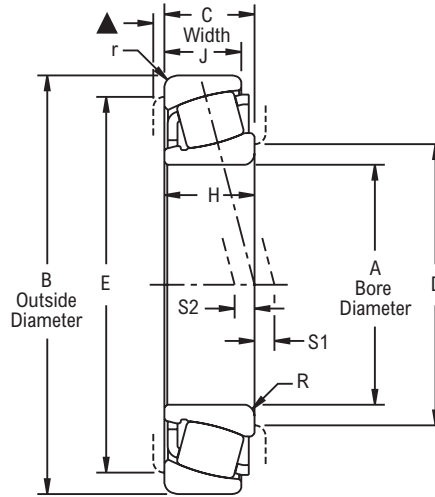
A20000S



Photo Shows an Unmounted Spherical Roller Bearing Unit

Product Features

- Single row
- Adjustable
- Self aligning
- Deep coined retainer
- Double contoured roller pocket
- See Features & Benefits for additional info.



Bearing Dimensions

Part Number	A Bore Diameter	B Outside Diameter	C Bearing Width	D	E	H	J	R	r	S1 & S2	Approx. Weight
A22100S	1.0000	2.3750	0.7810	1.37	2.00	0.7930	0.4910	0.046	0.046	0.187	1.00
A22150S	1.5000	2.8345	0.6700	1.81	2.50	0.6500	0.5460	0.062	0.062	0.015	1.10
A22196S	1.9680	3.5433	0.7870	2.38	3.18	0.7870	0.6510	0.078	0.078	0.024	1.20
A23225S	2.2500	3.9370	0.8280	2.65	3.50	0.8600	0.6930	0.093	0.062	0.000	4.00
A22262S	2.6250	4.4677	0.9480	3.06	4.07	1.0000	0.6900	0.140	0.062	0.090	2.00
A22300S	3.0000	5.1172	1.0620	3.40	4.57	1.0620	0.9280	0.078	0.078	0.000	2.40
A23300S	3.0000	5.9045	1.1090	4.00	5.34	1.2360	0.9250	0.140	0.125	0.048	5.00
A23334S	3.3457	5.9045	1.1090	4.00	5.34	1.1090	0.9250	0.125	0.125	0.048	5.10

Additional Notes

- Please call 1-866-REXNORD for availability
- ▲ Housing recess: recommended 3/16 in, minimum 1/16 in
- Dimension "R" & "r" are the largest fillet radius that will clear bearing corners
- Bearing O.D. tolerance, +.001 in/-.000 in (**+0.025 mm/-0.000 mm**)
- Bore tolerance for shaft sizes 3.0000 in and smaller, +.0005 in/-.0000 in (**+0.013 mm/-0.000 mm**); for all other shaft sizes, +.0010 in/-.0000 in (**+0.025 mm/-0.000 mm**)
- "S1" dimension applies to bore diameters 3.000 in to 4.1331 in, "S2" dimension for all others

For the Selection Guide, Load Ratings and Speed Limits, see the Link-Belt A20000 Bearing Engineering section

For shaft bearing seat diameters, see Link-Belt Split Spherical Bearings Shaft & Housing Seat Diameters section

Note: Dimensions subject to change. Certified dimensions of ordered material furnished on request.

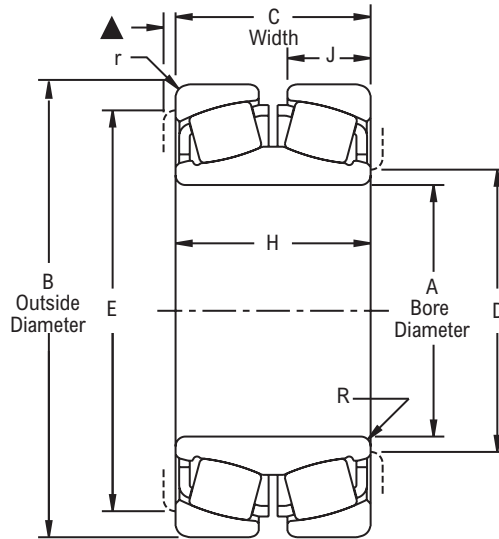
A20000



Photo Shows an Unmounted Spherical Roller Bearing Unit

Product Features

- Double row
- Adjustable
- Self aligning
- Deep coined retainers
- Double contoured roller pocket
- See Features & Benefits for additional info.



Bearing Dimensions

Part Number	A Bore Diameter	B Outside Diameter	C Bearing Width	D	E	H	J	R	r	Approx. Weight
A22100	1.0000	2.3750	1.1880	1.31	2.00	1.1880	0.4910	0.046	0.046	1.20
A22112	1.1250	2.3750	1.1880	1.31	2.00	1.1880	0.4910	0.046	0.046	1.20
A22118	1.1875	2.6250	1.3120	1.50	2.31	1.3120	0.5410	0.046	0.062	1.20
A22125	1.2500	2.6250	1.3120	1.50	2.31	1.3120	0.5410	0.046	0.062	1.20
A22137	1.3775	2.8345	1.3100	1.68	2.50	1.3100	0.5460	0.046	0.062	1.60
A22150	1.5000	2.8345	1.3100	1.68	2.50	1.3100	0.5460	0.046	0.062	1.60
A22177	1.7712	3.3464	1.5780	2.00	2.87	1.5780	0.6510	0.080	0.062	1.60
A22196	1.9680	3.5433	1.5260	2.25	3.18	1.5260	0.6510	0.062	0.078	2.30
A23196	1.9680	3.9370	1.6560	2.25	3.50	1.6560	0.6240	0.093	0.062	2.30
A24196	1.9680	4.3299	2.0620	2.18	3.83	2.0620	0.8360	0.062	0.080	4.00
A23200	2.0000	3.9370	1.6560	2.50	3.50	1.6560	0.6930	0.093	0.062	4.00
A23225	2.2500	3.9370	1.6560	2.50	3.50	1.6560	0.6930	0.093	0.062	4.00
A24236	2.3616	4.3307	1.7500	2.68	3.87	1.7500	0.7630	0.062	0.078	4.00
A22262	2.6250	4.4677	1.7160	3.00	4.07	1.7160	0.6900	0.140	0.062	6.60
A23262	2.6250	5.0000	2.1880	2.90	4.44	2.1880	0.9360	0.078	0.078	6.60
A22275	2.7500	5.1172	2.1250	3.31	4.57	2.1500	0.9280	0.080	0.078	6.90
A22295	2.9522	5.1172	2.1250	3.31	4.57	2.1500	0.9280	0.140	0.078	6.90
A23334	3.3457	5.9045	2.3130	3.75	5.34	2.3130	0.9250	0.078	0.125	6.90
A22343	3.4375	6.0000	2.7500	4.00	5.43	2.7500	1.1730	0.078	0.125	11.30
A22351	3.5100	6.0000	2.7500	4.00	5.43	2.7500	1.1730	0.078	0.125	11.30
A22362	3.6250	6.0000	2.7500	4.00	5.43	2.7500	1.1730	0.078	0.125	11.30
A24374	3.7402	7.0866	2.6770	4.19	6.38	2.6770	1.1520	0.093	0.125	11.30

Additional Notes

- Please call 1-866-REXNORD for availability
- ▲ Housing recess: recommended 3/16 in, minimum 1/16 in
- Dimension "R" & "r" are the largest fillet radius that will clear bearing corners
- Bearing O.D. tolerance, +.001 in/-.000 in (**+0.025 mm/-0.000 mm**)
- Bore tolerance for shaft sizes 2.5000 in and smaller, +.0005 in/-.0000 in (**+0.013 mm/-0.000 mm**); for all other shaft sizes, +.0010 in/-.0000 in (**+0.025 mm/-0.000 mm**)
- Bearing width tolerance, +/-0.025 in (**+/-0.64 mm**)
- Housing must allow clearance for this adjustment on dimension "C"

- For the Selection Guide, Load Ratings and Speed Limits, see the Link-Belt A20000 Bearing Engineering section
- For shaft bearing seat diameters, see Link-Belt Split Spherical Bearings Shaft & Housing Seat Diameters section
- Note: Dimensions subject to change. Certified dimensions of ordered material furnished on request.

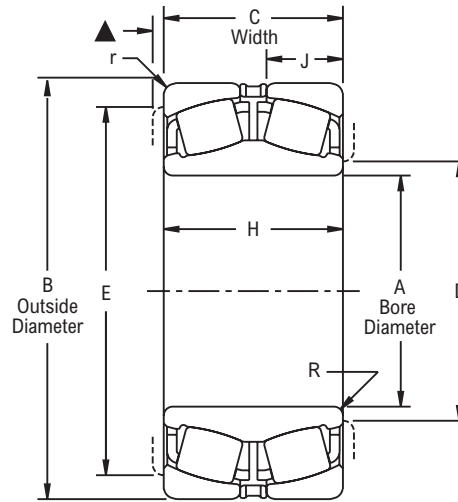
A20000M



Photo Shows an Unmounted Spherical Roller Bearing Unit

Product Features

- Double row
- Factory adjusted
- Self aligning
- Deep coined retainers
- Double contoured roller pocket
- See Features & Benefits for additional info.



Bearing Dimensions

Part Number	A Bore Diameter	B Outside Diameter	C Bearing Width	D	E	H	J	R	r	Approx. Weight
A22100M	1.0000	2.3750	1.1880	1.31	2.00	1.1880	0.4910	0.046	0.046	1.00
A22112M	1.1250	2.3750	1.1880	1.31	2.00	1.1880	0.4910	0.046	0.046	1.00
A22118M	1.1875	2.6250	1.3120	1.50	2.31	1.3120	0.5410	0.046	0.062	1.00
A22125M	1.2500	2.6250	1.3120	1.50	2.31	1.3120	0.5410	0.046	0.062	1.00
A22137M	1.3775	2.8345	1.3100	1.68	2.50	1.3100	0.5460	0.046	0.062	1.70
A22150M	1.5000	2.8345	1.3100	1.68	2.50	1.3100	0.5460	0.046	0.062	1.70
A22177M	1.7712	3.3464	1.5780	2.00	2.87	1.5780	0.6510	0.080	0.062	1.70
A22196M	1.9680	3.5433	1.5260	2.25	3.18	1.5260	0.6510	0.062	0.078	2.40
A23196M	1.9680	3.9370	1.6560	2.25	3.50	1.6560	0.6240	0.093	0.062	2.40
A23200M	2.0000	3.9370	1.6560	2.50	3.50	1.6560	0.6930	0.093	0.062	4.00
A23225M	2.2500	3.9370	1.6560	2.50	3.50	1.6560	0.6930	0.093	0.062	4.00
A24196M	1.9680	4.3299	2.0620	2.18	3.83	2.0620	0.8360	0.062	0.080	4.00
A24236M	2.3616	4.3307	1.7500	2.68	3.87	1.7500	0.7630	0.062	0.078	4.00
A23262M	2.6250	5.0000	2.1880	2.90	4.44	2.1880	0.9360	0.078	0.078	6.70
A22275M	2.7500	5.1172	2.1250	3.31	4.57	2.1500	0.9280	0.080	0.078	9.50
A22295M	2.9522	5.1172	2.1250	3.31	4.57	2.1500	0.9280	0.140	0.078	9.50
A23334M	3.3457	5.9045	2.3130	3.75	5.34	2.3130	0.9250	0.078	0.125	9.50
A22343M	3.4375	6.0000	2.7500	4.00	5.43	2.7500	1.1730	0.078	0.125	15.00
A22351M	3.5100	6.0000	2.7500	4.00	5.43	2.7500	1.1730	0.078	0.125	15.00
A22362M	3.6250	6.0000	2.7500	4.00	5.43	2.7500	1.1730	0.078	0.125	15.00

Additional Notes

- Please call 1-866-REXNORD for availability
- Complete part number includes clearance symbol, i.e. A22100MCO
- ▲ Housing recess: recommended 3/16 in, minimum 1/16 in
- Dimension "R" & "r" are the largest fillet radius that will clear bearing corners
- Bearing O.D. tolerance, +.001 in/-0.000 in (+0.025 mm/-0.000 mm)
- Bore tolerance for shaft sizes 2.5000 in and smaller, +.0005 in/-0.0000 in (+0.013 mm/-0.000 mm); for all other shaft sizes, +.0010 in/-0.0000 in (+0.025 mm/-0.000 mm)
- Bearing width tolerance, +/-0.025 in (+/-0.64 mm)

- Housing must allow clearance for this adjustment on dimension "C"
- For the Selection Guide, Load Ratings and Speed Limits, see the Link-Belt A20000 Bearing Engineering section
- For shaft bearing seat diameters, see Link-Belt Split Spherical Bearings Shaft & Housing Seat Diameters section
- Note: Dimensions subject to change. Certified dimensions of ordered material furnished on request.



Industries Served
Construction
Agriculture
Food
Marine

Duralon Composite Bearings

Duralon® bearings are a self-lubricated bearing, normally used between 4,000 and 30,000 psi in sliding and oscillating linkages. It is constructed from woven Teflon® high strength fiber and bondable yarns to make up the bearing element. Continuous strands of fiberglass and epoxy resin make up the matrix of the composite bearing material.

Features and Benefits

Strength

Applications that have 30,000 psi dynamically
Optimizes strength/weight ratio

Corrosion Resistance

Resists galvanic and fretting corrosion

Self-Lubricating

Eliminates contaminating lubricants
Operates above or below useful
temperature of lubricants
Eliminates complex lubrication systems
Minimizes slipstick problems

Seizure Resistance

Minimizes galling and scoring

Lightweight

77% of steel weight, 30% of aluminum –
easier handling, reduces equipment weight

Non-Metallic

Electrical insulation
Reduces noise volumes
USDA approved for non-contact use



Sizes and Shapes Available

Straight Sleeve Bearings

Round, Square and Hex Bore
Round Bore Diameter – 1/8" to 26"
PTFE fabric on ID bore and optional on OD

Linear Bearings

Bore Diameter – 1/4" to 4"
Available in open configuration to
clear pedestal shaft mounts

Flange Bearings

Bore Diameter – 1/8" to 26"
Available with or without woven
PTFE liner on the flange face

Thrust Washers

Outer Diameter – 3/8" to 18"

Spherical Annular

Bore Diameter - 1/4" to 6"

Acuator Bearing

Bore Diameter – consult Rexnord Engineering
Bore Shapes – Helical and threaded



Duralon Nomenclature

Symbol	Description	
		7010 - 000 008 - 016
701	Straight Sleeve Bearing	
702	Flange Sleeve, No PTFE Fabric on the Flange Face	
703	Flange Sleeve, PTFE Fabric on the Flange Face	
706	Actuator Nut	
707	Thrust Washer, PTFE Fabric on one face or both	
708	OD lined Sleeve Bearing, Cylindrical OD	
710	Ball Bearing Replacement, Cylindrical OD	
711	Ball Bearing Replacement, Spherical OD, without Fabric on the OD	
718	Ball Bearing Replacement, Spherical OD, PTFE Fabric on the OD	
799	Special Bearing Configuration	
00	Catalog Thinwall Bearing	
01	Catalog Heavywall Bearing	
61	Open Linear Replacement Bearing	
66	Catalog Linear Replacement Bearing	
70	Catalog Square Bore Bearing	
90	Catalog Hex Bore Bearing	
008	Bore Size (1 inch = 016)	
016	Bearing Length The length of the bearing in 1/32 of an inch increments	

Design and Application Guidelines

The overall performance of filament wound bearings is directly affected by operating factors such as applied loads, operating motions, duty cycle, environmental conditions, installation methods, shaft finish and hardness. While specific design criteria are not available for all applications, certain guidelines must be followed to provide the rated life.

Loads and Ratings

The filament wound back-up material in Duralon journal bearings is capable of withstanding static radial load levels as high as 60,000 psi on the projected bearing area. This is in excess of the fabric liner capability of (50,000 psi) based on previous experiences. The load deflection relationship of Duralon journal bearings and metal-backed Teflon lined bearings is very similar. The yield point and ultimate strength of the filament wound back-up material are approximately equal.

$$\text{PSI} = \frac{\text{Load lbs.}}{\text{I.D.} \times \text{W}}$$

Load-life Relationship

Since accumulated wear terminates the useful life of a properly selected Teflon liner bearing, the Duralon selection procedure is based on the use of Bearing Area Factors (BAF), rather than load ratings, to select a bearing which meets the combined load-life requirements of the application. The Bearing Area Factor (BAF) is a numerical index of a bearing's dynamic performance ability and is based upon effective bearing area.

Duralon bearings are rated on the basis of L10 life expectancy which means that 90% of a given group of bearings will exceed the predicted life. The correlation of load and life is shown in the lower half of the Selection Chart which relates the BAF to cycle of life. BAF values for bearings involving standard combinations of bore and length, are shown in the bearing listings.

Bearing Area Factor

$$\text{BAF} = \text{I.D.} \times \text{W} \times (0.90)$$

I.D. = Bearing Inner Diameter

W = Bearing Length

All dimensions are in inches

Motion

Duralon bearings can withstand various degrees of motion, depending upon speed and load. They will operate under all degrees of motion normally encountered in applications. Note that the degree of oscillation can affect bearing performance and must be taken into account when making a bearing selection, as shown on the nomograph.

Laboratory testing of Filament journal bearings has shown their capacity to operate successfully under the low speeds, (less than 90 cycles per minute), high load conditions, (up to 30,000 psi), as well as the high speeds, (up to 300 cpm), light load conditions (less than 5,000 psi)

Temperature

The normal operating temperature range for Duralon bearings is -65° to 325° F. Satisfactory operation can be obtained with limited exposure to temperatures as high as 400° F. However, at continuous temperatures above 325° F an increase in wear rates will be experienced. Contact a Rexnord engineer for applications at cryogenic temperature, as well as for applications

Shaft Recommendations

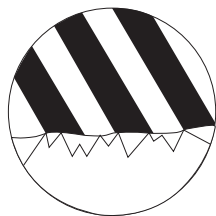
Since the shaft surface significantly affects the operation of the journal bearing design, its selection in regard to material, hardness, coating and surface roughness is crucial.

High loads require smooth surfaces with hardened and heat treated shafts. With stress levels of 8,000 to 30,000 psi shafting should have a surface finish of 8 micro inch or better to achieve optimum performance. However, tests have been run on 25-30 micro inch finishes with 55 Rc shafts at 4,000 psi with acceptable results.

Shafting Materials

A number of shaft materials have been used in conjunction with Duralon bearings:

1. 52100 high carbon steel
2. 4140 chrome and nickel plated steel
3. 300 and 400 series stainless steel
4. Precipitation hardened grades 17-4PH, 15-5PH, 13-8PH
Moly chrome and nickel plated stainless steel
5. 2000 and 7000 series aluminum grade hard anodized
6. Low to high carbon steels



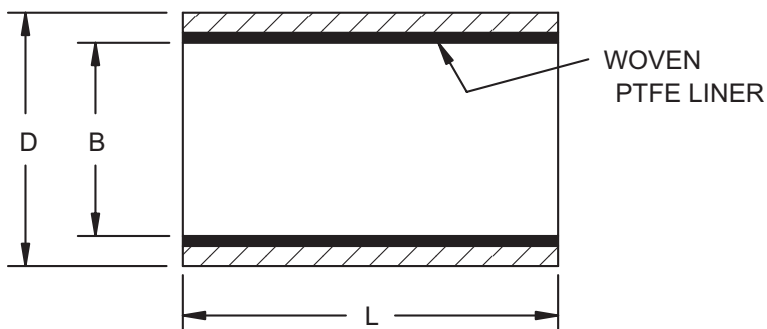
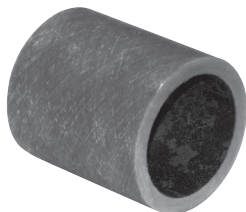
Sharp surface scratches



Smooth surface scratches

Surface roughness values do not define the character of the finish. Polished shafting (right) normally produces longer bearing life.

Thinwall Straight Sleeve Bearing



Product Features

The bearing consists of a self-lubricating woven Teflon fiber and polyester liner supported by a filament wound continuous fiberglass fiber and epoxy resin matrix.

Bearing Dimensions

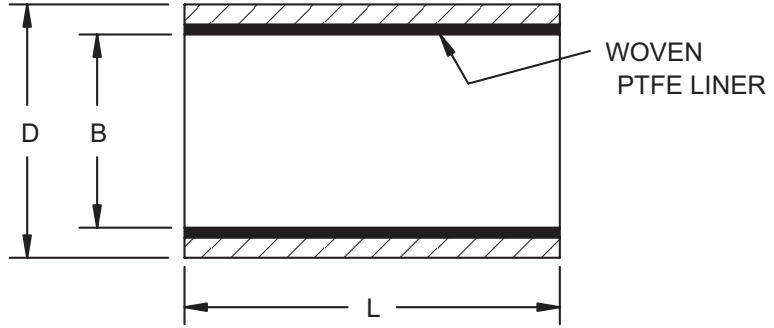
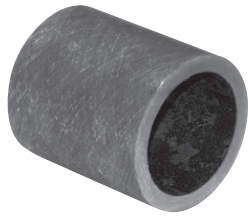
Part Number	Thinwall					Model Number Suffix										Maximum Length		
	B ±.0005	D ±.0005	Hsg Bore ±.0005	Max Shaft Dia	Wt (Ref) Lb/In.	L = Length Suffix in Multiples of 1/32" (Tolerance +.000/-0.020)												
	0.250	0.375	0.500	0.625	0.750	0.875	1.000	1.125	1.250	1.375	1.500	1.750	2.000					
701-00004-XXX	0.2535	0.3762	0.3750	0.2500	0.0043													3.000
701-00006-XXX	0.3785	0.5012	0.5000	0.3750	0.0060	008							040	044				6.000
701-00008-XXX	0.5035	0.6262	0.6250	0.5000	0.0077		012									048		6.000
701-00010-XXX	0.6285	0.7512	0.7500	0.6250	0.0094			016									056	10.000
701-00012-XXX	0.7535	0.8762	0.8750	0.7500	0.0111				020								064	10.000
701-00014-XXX	0.8785	1.0637	1.0625	0.8750	0.0199					024								10.000
701-00016-XXX	1.0035	1.1887	1.1875	1.0000	0.0224						028							10.000
701-00018-XXX	1.1285	1.3137	1.3125	1.1250	0.0250							032						10.000
701-00020-XXX	1.2535	1.4387	1.4375	1.2500	0.0276								036					10.000
701-00022-XXX	1.3785	1.5637	1.5625	1.3750	0.0301													10.000
701-00024-XXX	1.5035	1.6887	1.6775	1.5000	0.0325													10.000
701-00026-XXX	1.6285	1.8137	1.8125	1.6250	0.0352									040	044			10.000
701-00028-XXX	1.7535	1.9387	1.9375	1.7500	0.0378	008	012									048		10.000
701-00030-XXX	1.8785	2.0637	2.0625	1.8750	0.0404			016									056	10.000
701-00032-XXX	2.0035	2.1887	2.1875	2.0000	0.0429				020								064	10.000
701-00034-XXX	2.1285	2.3137	2.3125	2.1250	0.0455					024								10.000
701-00036-XXX	2.2535	2.4387	2.4375	2.2500	0.0480						028							10.000
701-00040-XXX	2.5035	2.6887	2.6875	2.5000	0.0532							032						10.000
701-00044-XXX	2.7545	2.9487	2.9475	2.7500	0.0612								036					10.000

Additional Notes

- Size:** Standard & Metric sizes - from .250" to 2.750" inside diameter
- Load:** Typical dynamic loads - 4,000 to 30,000 psi, Ultimate 77,000 psi
- Motion:** Oscillatory, pivot, linear sliding and slow speed full rotation
- Friction:** Coefficients vary from .16 @ 500 psi to .07 @ 20,000 psi
- Electrical:** Filament wound back-up material is an electrical insulator
- Chemical:** Resistant to most chemicals, see Appendix or consult Rexnord engineer
- Temperature:** -65°F to +325°F for Continuous, 400°F for Intermittent

For part number sizes shaded in gray please consult rexnord bearing engineering

Thinwall Straight Sleeve Bearing (Inch)



Product Features

The bearing consists of a self-lubricating woven Teflon fiber and polyester liner supported by a filament wound continuous fiberglass fiber and epoxy resin matrix.

Bearing Dimensions

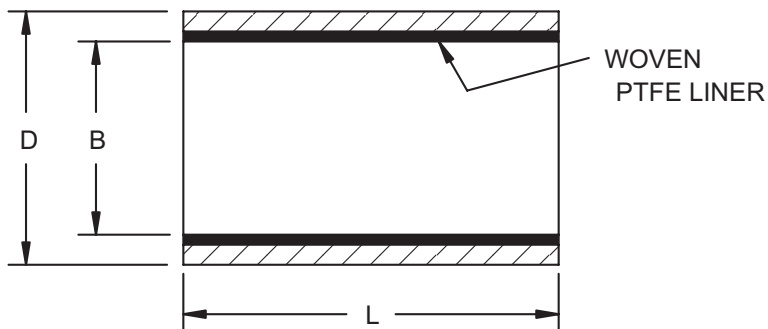
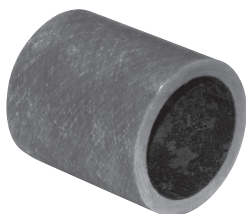
Thinwall - Metric					Model Number Suffix									
Part Number	B ±.0005	D ±.0005	Hsg Bore ±.0003	Max Shaft Dia	L= Length Suffix in Multiples of 1mm (Tolerance +.000/- .500)									
					0.250	0.375	0.500	0.625	0.750	0.875	1.000	1.125	1.250	1.375
7MM1-02006-XXX	0.2397	0.3163	0.3153	0.2358								080	090	100
7MM1-03006-XXX	0.2397	0.3556	0.3546	0.2358										
7MM1-02008-XXX	0.3185	0.3950	0.3940	0.3144										
7MM1-03008-XXX	0.3185	0.4344	0.4334	0.3144										
7MM1-02010-XXX	0.3972	0.4738	0.4727	0.3932										
7MM1-03010-XXX	0.3972	0.5132	0.5121	0.3932										
7MM1-02012-XXX	0.4759	0.5526	0.5515	0.4718										
7MM1-03012-XXX	0.4759	0.592	0.5909	0.4718										
7MM1-02014-XXX	0.5547	0.6313	0.6302	0.5506										
7MM1-03014-XXX	0.5547	0.7101	0.7090	0.5506										
7MM1-02016-XXX	0.6334	0.7101	0.7090	0.6293	010									
7MM1-03016-XXX	0.6334	0.7889	0.7878	0.6293										
7MM1-02018-XXX	0.7122	0.7889	0.7878	0.7080		020								
7MM1-03018-XXX	0.7122	0.8677	0.8665	0.7080										
7MM1-02020-XXX	0.7909	0.9070	0.9059	0.7866			030	040	050	060	070			
7MM1-03020-XXX	0.7909	0.9464	0.9453	0.7866								080	090	100
7MM1-02022-XXX	0.8696	0.9858	0.9846	0.8654										
7MM1-03022-XXX	0.8696	1.0645	1.0634	0.8654										
7MM1-02025-XXX	0.9877	1.1039	1.1028	0.9835										
7MM1-03025-XXX	0.9877	1.1826	1.1815	0.9835										
7MM1-02030-XXX	1.1846	1.3403	1.3391	1.1803										
7MM1-03030-XXX	1.1846	1.3795	1.3784	1.1803										
7MM1-02040-XXX	1.5783	1.7340	1.7328	1.5738										
7MM1-03040-XXX	1.5783	1.8127	1.8115	1.5738										
7MM1-02045-XXX	1.7751	1.9702	1.9690	1.7707	010									
7MM1-03045-XXX	1.7751	2.0096	2.0084	1.7707										
7MM1-02050-XXX	1.9720	2.1672	2.1659	1.9675		020								
7MM1-03050-XXX	1.9720	2.2851	2.2839	1.9675										

Additional Notes

- Size:** Metric sizes - from 1/8" to 26" inside diameter
- Load:** Typical dynamic loads - 4,000 to 30,000 psi, Ultimate 77,000 psi
- Motion:** Oscillatory, pivot, linear sliding and slow speed full rotation
- Friction:** Coefficients vary from .16 @ 500 psi to .07 @ 20,000 psi
- Electrical:** Filament wound back-up material is an electrical insulator
- Chemical:** Resistant to most chemicals, see Appendix or consult Rexnord engineer
- Temperature:** -65°F to +325°F for Continuous, 400°F for Intermittent

For part number sizes shaded in gray please consult rexnord bearing engineering

Thinwall Straight Sleeve Bearing (Metric)



Product Features

The bearing consists of a self-lubricating woven Teflon fiber and polyester liner supported by a filament wound continuous fiberglass fiber and epoxy resin matrix.

Bearing Dimensions

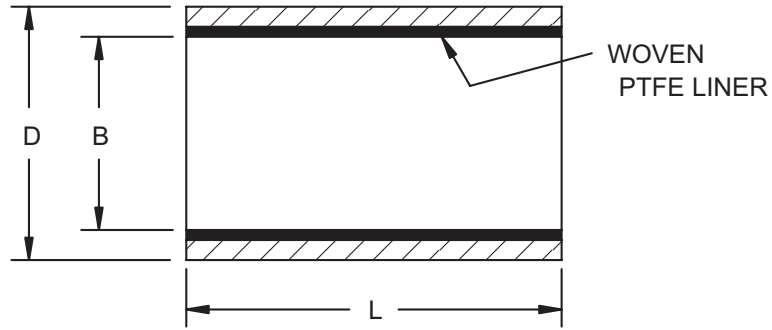
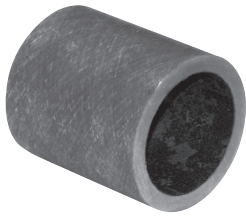
Thinwall - Metric							Model Number Suffix												
Part Number	B	Tolerance	D	Tolerance	Max Hsg Bore	Max Shaft Dia	L= Length Suffix in Multiples of 1mm (Tolerance +.000/- .500)												
							10	20	30	40	50	60	70	80	90	100			
7MM1-02006-XXX	6,0855	,0125	8,034	,013	,8000	5,978											080	090	100
7MM1-03006-XXX	6,0855	,0125	9,032	,012	,9000	5,978													
7MM1-02008-XXX	8,0900	,0130	10,033	,013	,10000	7,972													
7MM1-03008-XXX	8,0900	,0130	11,033	,012	,11000	7,972													
7MM1-02010-XXX	10,0890	,0130	12,034	,012	,12000	9,972													
7MM1-03010-XXX	10,0890	,0130	13,035	,012	,13000	9,972													
7MM1-02012-XXX	12,0880	,0130	14,036	,013	,14000	11,966													
7MM1-03012-XXX	12,0880	,0130	15,037	,013	,15000	11,966													
7MM1-02014-XXX	14,0895	,0125	16,035	,013	,16000	13,966													
7MM1-03014-XXX	14,0895	,0125	18,036	,012	,18000	15,966													
7MM1-02016-XXX	16,0885	,0125	18,036	,012	,18000	15,966	010												
7MM1-03016-XXX	16,0885	,0125	20,038	,013	,20000	15,966		020											
7MM1-02018-XXX	18,0900	,0130	20,038	,013	,20000	17,966													
7MM1-03018-XXX	18,0900	,0130	22,039	,012	,22000	17,966													
7MM1-02020-XXX	20,0890	,0130	23,038	,013	,23000	19,959			030	040	050	060	070			080	090	100	
7MM1-03020-XXX	20,0890	,0130	23,038	,012	,24000	19,959													
7MM1-02022-XXX	22,0880	,0130	25,039	,012	,25000	21,959													
7MM1-03022-XXX	22,0880	,0130	27,038	,012	,27000	21,959													
7MM1-02025-XXX	25,0875	,0125	28,039	,013	,28000	24,959													
7MM1-03025-XXX	25,0875	,0125	30,038	,013	,30000	24,959													
7MM1-02030-XXX	30,0890	,0130	34,043	,013	,34000	29,959													
7MM1-03030-XXX	30,0890	,0130	35,039	,012	,35000	29,959													
7MM1-02040-XXX	40,0890	,0130	44,043	,013	,44000	39,950													
7MM1-03040-XXX	40,0890	,0130	46,043	,012	,46000	39,950													
7MM1-02045-XXX	45,0875	,0125	50,043	,013	,50000	44,950	010												
7MM1-03045-XXX	45,0875	,0125	51,044	,013	,51000	44,950													
7MM1-02050-XXX	50,0890	,0130	55,047	,013	,55000	49,950		020											
7MM1-03050-XXX	50,0890	,0130	58,041	,012	,58000	49,950													

Additional Notes

- Size:** Metric sizes - from 4mm to 660mm
- Load:** Typical dynamic loads - 4,000 to 30,000 psi, Ultimate 77,000 psi
- Motion:** Oscillatory, pivot, linear sliding and slow speed full rotation
- Friction:** Coefficients vary from .16 @ 500 psi to .07 @ 20,000 psi
- Electrical:** Filament wound back-up material is an electrical insulator
- Chemical:** Resistant to most chemicals, see Appendix or consult Rexnord engineer
- Temperature:** -65°F to +325°F for Continuous, 400°F for Intermittent

For part number sizes shaded in gray please consult rexnorm bearing engineering

Heavywall Straight Sleeve Bearing



Product Features

The bearing consists of a self-lubricating woven Teflon fiber and polyester liner supported by a filament wound continuous fiberglass fiber and epoxy resin matrix.

Bearing Dimensions

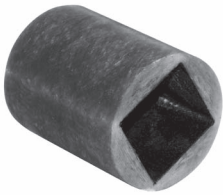
Heavywall									Model Number Suffix													
Part Number	B	Tolerance	D	Tolerance	Housing Bore	Tolerance	Max Shaft Dia	Wt (Ref) Lb/in.	L= Length Suffix in Multiples of 1/32" (Tolerance +.000/-0.020)													
									1.000	1.250	1.500	1.750	2.000	2.500	3.000	3.500	4.000	6.000	10.000			
701-01028-XXX	1.7590		2.2505		2.2470		1.7500	0.1086														
701-01032-XXX	2.0090		2.5005		2.4970		2.0000	0.1222														
701-01036-XXX	2.2590	±.0010	2.7505		2.7470		2.2500	0.1357	032													
701-01040-XXX	2.5090		3.0005		2.9970		2.5000	0.1493		040												
701-01044-XXX	2.7590		3.2505		3.2470		2.7500	0.1628			048											
701-01048-XXX	3.0097		3.5005		3.4970		3.0000	0.1762				056										
701-01052-XXX	3.2597	+0.0013	3.7505		3.7470		3.2500	0.1898					064									
701-01056-XXX	3.5097	-0.0012	4.0005	±.0005	3.9970		3.5000	0.2033						080								
701-01060-XXX	3.7597		4.2505		4.2470		3.7500	0.2169							096							
701-01064-XXX	4.0105		4.5005		4.4970	±.001	4.0000	0.2302														
701-01068-XXX	4.2605		4.7505		4.7470		4.2500	0.2437														
701-01072-XXX	4.5125	±.0015	5.0005		4.9970		4.5000	0.2562														
701-01076-XXX	4.7615		5.2505		5.2470		4.7500	0.2702														
701-01080-XXX	5.0112		5.5005		5.4970		5.0000	0.2840														
701-01084-XXX	5.2612	+0.0018	5.7505		5.7470		5.2500	0.2975														
701-01088-XXX	5.5142	.0017	6.0008		5.9960		5.5000	0.3095														
701-01092-XXX	5.7642		6.2508		6.2460		5.7500	0.3230													192	320
701-01096-XXX	6.0140		6.5008		6.4960		6.0000	0.3367	032													
701-01100-XXX	6.6240	±.0020	6.7508	+0.0007	6.7460		6.2500	0.3502		040												
701-01104-XXX	6.5140		7.0008	-0.0008	6.9955		6.5000	0.3636			048											
701-01108-XXX	6.7640		7.2508		7.2455		6.7500	0.3771				056										
701-01112-XXX	7.0137	+0.0023	7.5008		7.4955		7.0000	0.3910					064									
701-01120-XXX	7.5137	-0.0022	8.0008		7.9955		7.5000	0.4179						080								
701-01128-XXX	8.0135		8.2508		8.4955		8.0000	0.4453							096							
701-01136-XXX	8.5135		9.0010		8.9955		8.5000	0.4727														
701-01144-XXX	9.0135		9.5010		9.4955	±.0015	9.0000	0.4997														
701-01152-XXX	9.5135		10.0010		9.9955		9.5000	0.5267														
701-01160-XXX	10.0135	±.0025	10.5010		10.4955	±.0010	10.0000	0.5537														
701-01168-XXX	10.5135		11.0010		10.9955		10.5000															
701-01176-XXX	11.0135		11.5010		11.4955		11.0000															
701-01184-XXX	11.5135		12.0010		11.9955		11.5000															
701-01192-XXX	12.0135		12.5010		12.4955		12.0000															

Additional Notes

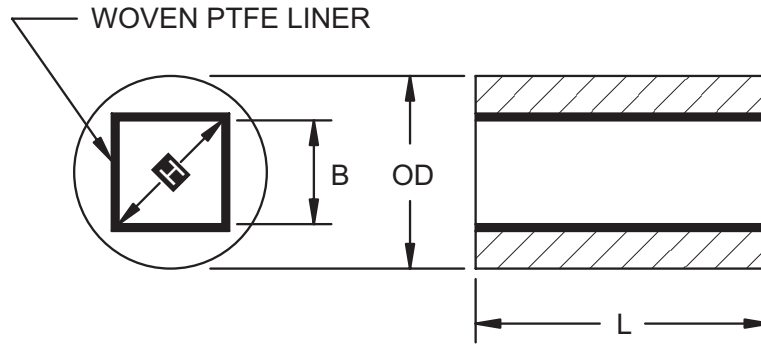
- Size:** Standard & Metric sizes - from 1.750" to 12.000" inside diameter
- Load:** Typical dynamic loads - 4,000 to 30,000 psi, Ultimate 77,000 psi
- Motion:** Oscillatory, pivot, linear sliding and slow speed full rotation
- Friction:** Coefficients vary from .16 @ 500 psi to .07 @ 20,000 psi
- Electrical:** Filament wound back-up material is an electrical insulator
- Chemical:** Resistant to most chemicals, see Appendix or consult Rexnord engineer
- Temperature:** -65°F to +325°F for Continuous, 400°F for Intermittent

For part number sizes shaded in gray please consult rexnord bearing engineering

Square Bore Bearing



Product Features



Bearing Dimensions

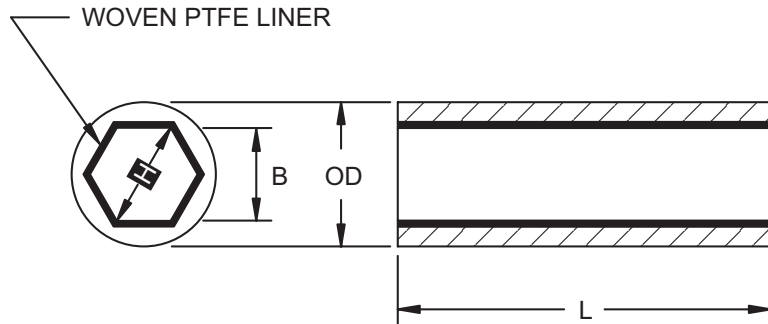
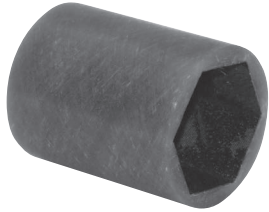
Part Number	Square Bore			Model Number Suffix													Maximum Length
	B ±.001	D ±.0005	H Min	L= Length Suffix in Multiples of 1/32" (Tolerance +.000/-0.020)													
				0.250	0.375	0.500	0.625	0.750	0.875	1.000	1.125	1.250	1.375	1.500	1.750	2.000	
701-70004-XXX	0.254	0.5012	0.313	008	012	016	020	024	028	032	036	040	044	048	056	064	3.000
701-70006-XXX	0.379	0.7512	0.490									6.000					
701-70008-XXX	0.504	0.8762	0.667	008	012	016	020	024	028	032	036	040	044	048	056	064	6.000
701-70010-XXX	0.629	1.0012	0.843														10.000
701-70012-XXX	0.754	1.2512	1.020	008	012	016	020	024	028	032	036	040	044	048	056	064	10.000
701-70014-XXX	0.879	1.5012	1.197														10.000
701-70016-XXX	1.004	1.6262	1.374	008	012	016	020	024	028	032	036	040	044	048	056	064	10.000
701-70018-XXX	1.129	1.8762	1.551														10.000
701-70020-XXX	1.254	2.0012	1.727	008	012	016	020	024	028	032	036	040	044	048	056	064	10.000
701-70022-XXX	1.379	2.2512	1.904														10.000
701-70024-XXX	1.504	2.5012	2.081	008	012	016	020	024	028	032	036	040	044	048	056	064	10.000

Additional Notes

- Size:** Standard sizes - from .250" to 1.500" inside diameter, larger sizes available
- Load:** Typical dynamic loads - 4,000 to 30,000 psi, Ultimate 77,000 psi
- Motion:** Linear sliding and/or torque transmission
- Friction:** Coefficients vary from .16 @ 500 psi to .07 @ 20,000 psi
- Electrical:** Filament wound back-up material is an electrical insulator
- Chemical:** Resistant to most chemicals, see Appendix or consult Rexnord engineer
- Temperature:** -65°F to +325°F for Continuous, 400°F for Intermittent

For part number sizes shaded in gray please consult rexnord bearing engineering

Hex Bore Bearing



Product Features

The bearing consists of a self-lubricating woven Teflon fiber and polyester liner supported by a filament wound continuous fiberglass fiber and epoxy resin matrix.

Bearing Dimensions

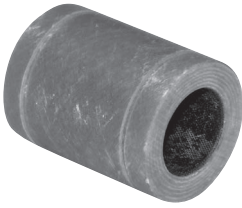
Hex Bore					Model Number Suffix												Maximum Length	
Part Number	B	Tolerance	OD ± .0005	H Min.	L= Length Suffix in Multiples of 1/32" (Tolerance +.000/- .020)													
					0.250	0.375	0.500	0.625	0.750	0.875	1.000	1.125	1.250	1.375	1.500	1.750		2.000
701-90004-XXX	0.255	±.001	0.5012	0.248	008	012	016	020	024	028	032	036	040	044	048	056	064	3.000
701-90006-XXX	0.380		0.6262	0.392														6.000
701-90008-XXX	0.505		0.7512	0.537														6.000
701-90010-XXX	0.630		0.8762	0.681														10.000
701-90012-XXX	0.755		1.0012	0.825														10.000
701-90014-XXX	0.880	1.2512	0.970	10.000														
701-90016-XXX	1.005	1.5004	1.114	10.000														
701-90018-XXX	1.130	±.002	1.6262	1.259	008	012	016	020	024	028	032	036	040	044	048	056	064	10.000
701-90020-XXX	1.255		1.7512	1.403														10.000
701-90022-XXX	1.380		1.8762	1.547														10.000
701-90024-XXX	1.505		2.0012	1.692														10.000

Additional Notes

- Size:** Standard sizes - from .250" to 1.500" inside diameter
- Load:** Typical dynamic loads - 4,000 to 30,000 psi, Ultimate 77,000 psi
- Motion:** Linear sliding and/or torque transmission
- Friction:** Coefficients vary from .16 @ 500 psi to .07 @ 20,000 psi
- Electrical:** Filament wound back-up material is an electrical insulator
- Chemical:** Resistant to most chemicals, see Appendix or consult Rexnord engineer
- Temperature:** -65°F to +325°F for Continuous, 400°F for Intermittent

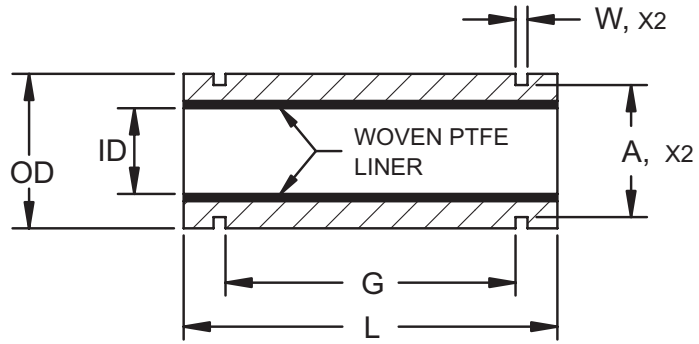
For part number sizes shaded in gray please consult rexnord bearing engineering

Linear Composite Bearings



Product Features

The bearing consists of a self-lubricating woven Teflon fiber and polyester liner supported by a filament wound continuous fiberglass fiber and epoxy resin matrix. Open Linear bearings for pedestal shaft mounts available.



Bearing Dimensions

Part Number	I.D.	Tolerance	OD ±.0005	L +.000 -.020	G	Tolerance	Snap Ring Groove				O.D to I.D. Concentricity
							W	Tolerance	A	Tolerance	
701-66004-024	0.2510	±.0005	0.5006	0.750	0.437	±.010	0.0405	±.0015	0.468	±.002	.001 TIR
701-66006-028	0.3760		0.6256	0.875	0.562		0.0405		0.588	±.003	
701-66008-040	0.5010		0.8756	1.250	0.875		0.0475		0.821	±.004	
701-66010-048	0.6260		1.1256	1.500	1.000	0.0580	±.0020	1.059	±.005		
701-66012-052	0.7510		1.2506	1.625	1.062	0.0580		1.176			
701-66016-072	1.0010		1.5631	2.250	1.625	±.015	0.0700	±.0025	1.468	±.006	
701-66020-084	1.2510		2.0006	2.625	1.875		0.0700		1.886		
701-66024-096	1.5010		2.3756	3.000	2.250		0.0885		2.239		
701-66032-128	2.0010		3.0006	4.000	3.000	±.020	0.1055	±.0030	2.838	.003 TIR	
701-60040-160	2.5055		3.7506	5.000	3.750		0.1225		3.493		
701-60048-192	3.0060	±.0010	4.5006	6.000	4.500	0.1225	±.0030	4.190	±.006	.003 TIR	
701-60064-256	4.0065	±.0015	6.0006	8.000	6.000	0.1420	±.0030	5.745	±.006		

Additional Notes

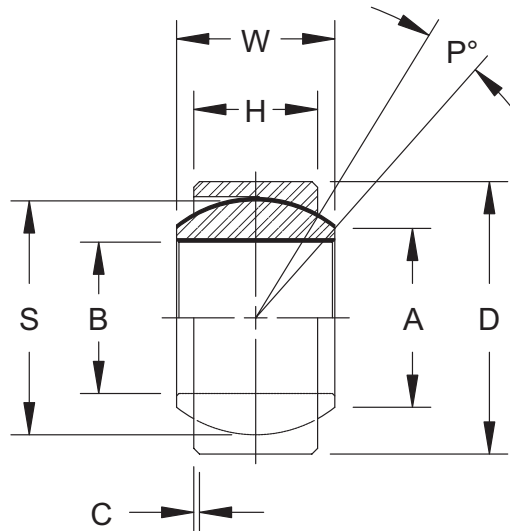
- Size:** Standard sizes - from .250" to 4.000" inside diameter
- Load:** Typical dynamic loads - 4,000 to 30,000 psi, Ultimate 77,000 psi
- Motion:** Oscillatory, pivot, linear sliding and slow speed full rotation
- Friction:** Coefficients vary from .16 @ 500 psi to .07 @ 20,000 psi
- Electrical:** Filament wound back-up material is an electrical insulator
- Chemical:** Resistant to most chemicals, see Appendix or consult Rexnord engineer
- Temperature:** -65°F to +325°F for Continuous, 400°F for Intermittent

Split Metallic Outer Race Annular Bearings



Product Features

The self-lubricating composite ball consists of a woven Teflon fiber and polyester fiber liner supported by a filament wound continuous fiberglass fiber and epoxy resin matrix. The split metallic outer race is carbon steel.



Bearing Dimensions

Part Number	Part Number	B Min	Tolerance	D Max	Tolerance	W +.000 -.005	H +.000 -.005	A (Ref)	C +.010 -.010	P Deg. Min	S Ball O.D.	Limit Load Rating- Lbs.	
831-08-14-01	838-08-14-01	0.5030	+.001	0.8750	+.000 -.0005	0.437	0.375	0.571	0.022	6	0.719	3,750	
831-12-20-01	838-12-20-01	0.7530		1.2500		0.656	0.562	0.858			1.080	8,430	
831-14-23-01	838-14-23-01	0.8780		1.4375		0.765	0.656	0.999			1.258	11,480	
831-16-26-01	838-16-26-01	1.0030		1.6250		0.875	0.750	1.140			1.437	15,000	
831-20-32-01	838-20-32-01	1.2530		2.0000	1.093	0.937	1.424	1.795			23,425		
831-22-35-01	838-22-35-01	1.3780		2.1875	1.187	1.031	1.531	1.937			28,350		
831-24-39-01	838-24-39-01	1.5030		2.4375	1.312	1.125	1.710	2.155			33,750		
831-28-45-01	838-28-45-01	1.7530		2.8125	1.531	1.312	1.995	2.515			45,925		
831-32-51-01	838-32-51-01	2.0030		3.1875	1.750	1.500	2.281	2.875			60,000		
831-36-57-01	838-36-57-01	2.2530		3.5625	1.969	1.687	2.567	3.235			75,900		
831-40-63-01	838-40-63-01	2.5030		3.9375	2.187	1.875	2.847	3.590			93,750		
831-48-76-01	838-48-76-01	3.0030		4.7500	2.625	2.250	3.421	4.312			135,000		
831-64-100-01	838-64-100-01	4.0030		+0.003	6.2500	+0.010	3.500	3.000			4.562	5.750	240,000
831-80-124-01	838-80-124-01	5.0020		+0.005	7.7500	+.0022	4.375	3.750			5.706	7.190	375,000
831-96-140-01	838-96-140-01	6.0030	+0.004	8.7500	4.750		4.125	6.630	8.156	495,000			

Additional Notes

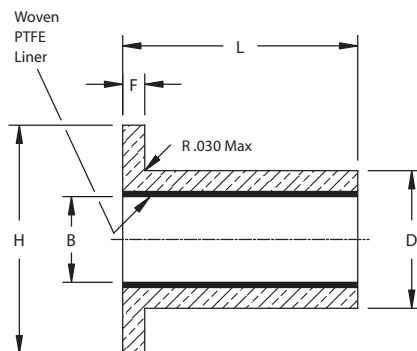
- Size:** Standard & Metric sizes - from .500" to 6.000" inside diameter
- Load:** Typical dynamic loads - 4,000 to 20,000 psi
- Motion:** Oscillatory, pivot, slow speed full rotation, for linear consult Rexnord engineer
- Friction:** Coefficients vary from .16 @ 500 psi to .07 @ 20,000 psi
- Electrical:** Filament wound back-up material of the ball is an electrical insulator
- Chemical:** Consult Rexnord engineer
- Temperature:** -65°F to +325°F for Continuous, 400°F for Intermittent

Flange Bearings

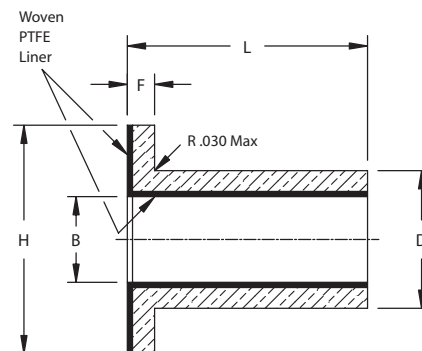


Product Features

The bearing consists of a self-lubricating woven Teflon fiber and polyester liner supported by a filament wound continuous fiberglass fiber and epoxy resin matrix.



STYLE-702



STYLE-703

Bearing Dimensions

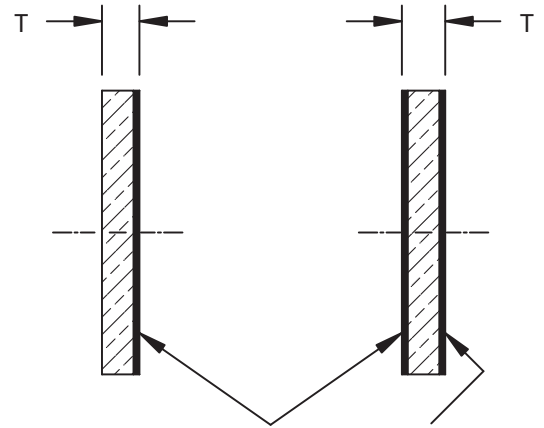
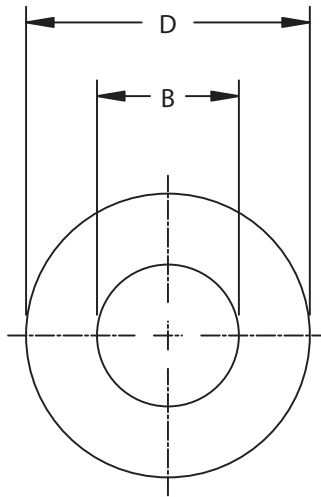
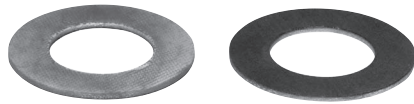
Part Number		B ± .0005	D ± .0005	F ± .005	H ± .010	Model Number Suffix													
Unlined Face	Lined Face					L = Length Suffix in Multiples of 1/32" (Tolerance +.000 / -.020)													
						0.250	0.375	0.500	0.625	0.750	0.875	1.000	1.125	1.250	1.375	1.500	1.750	2.000	
702-00004-XXX	703-00004-XXX	0.2535	0.3762	0.094	0.625	008													
702-00006-XXX	703-00006-XXX	0.3785	0.5012	0.125	0.750		012							040	044				
702-00008-XXX	703-00008-XXX	0.5035	0.6262	0.125	0.875												048	056	064
702-00010-XXX	703-00010-XXX	0.6285	0.7512	0.125	1.000				016										
702-00012-XXX	703-00012-XXX	0.7535	0.8762	0.125	1.125					020									
702-00014-XXX	703-00014-XXX	0.8785	1.0637	0.125	1.312						024								
702-00016-XXX	703-00016-XXX	1.0035	1.1887	0.156	1.438							028							
702-00018-XXX	703-00018-XXX	1.1285	1.3137	0.156	1.562								032						
702-00020-XXX	703-00020-XXX	1.2535	1.4387	0.156	1.688									036					
702-00022-XXX	703-00022-XXX	1.3785	1.5637	0.156	1.812														
702-00024-XXX	703-00024-XXX	1.5035	1.6887	0.156	1.938	008									040	044			
702-00026-XXX	703-00026-XXX	1.6285	1.8137	0.156	2.062		012										048	056	064
702-00028-XXX	703-00028-XXX	1.7535	1.9387	0.188	2.188				016										
702-00030-XXX	703-00030-XXX	1.8785	2.0637	0.188	2.312					020									
702-00032-XXX	703-00032-XXX	2.0035	2.1887	0.188	2.438						024								
702-00034-XXX	703-00034-XXX	2.1285	2.3137	0.188	2.562							028							
702-00036-XXX	703-00036-XXX	2.2535	2.4387	0.188	2.688								032						
702-00040-XXX	703-00040-XXX	2.5035	2.6887	0.188	2.938									036					

Additional Notes

- Size:** Standard sizes - from .250" to 2.500" inside diameter
- Load:** Typical dynamic loads - 4,000 to 30,000 psi, Ultimate 77,000 psi
- Motion:** Oscillatory, pivot, linear sliding and slow speed full rotation
- Friction:** Coefficients vary from .16 @ 500 psi to .07 @ 20,000 psi
- Electrical:** Filament wound back-up material is an electrical insulator
- Chemical:** Resistant to most chemicals, see Appendix or consult Rexnord engineer
- Temperature:** -65°F to +325°F for Continuous, 400°F for Intermittent - Style 702
-65°F to +250°F for Continuous or Intermittent - Style 703

For part number sizes shaded in gray please consult rexnorm bearing engineering

Thrust Washers



Woven PTFE Liner

Product Features

The thrust washer is constructed by bonding woven Teflon® fiber fabric liner to one or both faces of a washer substrate. The substrate may be metallic, such as low carbon steel, stainless steel or aluminum. It may also be a non-metallic substrate such as NEMA grade G-10 or NEMA grade C. Standard washers are made with G-10 substrate.

Bearing Dimensions

Nominal Shaft Diameter	Part Number - 1/16" Thickness		B + .020 - .000	D + .000 - .020	T ± .005
	Lined One Face	Lined Both Faces			
0.250	707-00008-002	707-20008-002	0.270	0.500	0.062
0.312	707-00010-002	707-20010-002	0.332	0.625	0.062
0.375	707-00012-002	707-20012-002	0.395	0.750	0.062
0.437	707-00014-002	707-20014-002	0.457	0.875	0.062
0.500	707-00016-002	707-20016-002	0.520	1.000	0.062
0.625	707-00020-002	707-20020-002	0.645	1.250	0.062
0.750	707-00024-002	707-20024-002	0.770	1.500	0.062
0.875	707-00028-002	707-20028-002	0.895	1.750	0.062
1.000	707-00032-002	707-20032-002	1.020	2.000	0.062
1.125	707-00034-002	707-20034-002	1.145	2.125	0.062
1.250	707-00036-002	707-20036-002	1.270	2.250	0.062
1.375	707-00040-002	707-20040-002	1.395	2.500	0.062
1.500	707-00042-002	707-20042-002	1.520	2.625	0.062
1.625	707-00044-002	707-20044-002	1.645	2.750	0.062
1.750	707-00046-002	707-20046-002	1.770	2.875	0.062
1.875	707-00048-002	707-20048-002	1.895	3.000	0.062
2.000	707-00052-002	707-20052-002	2.020	3.250	0.062

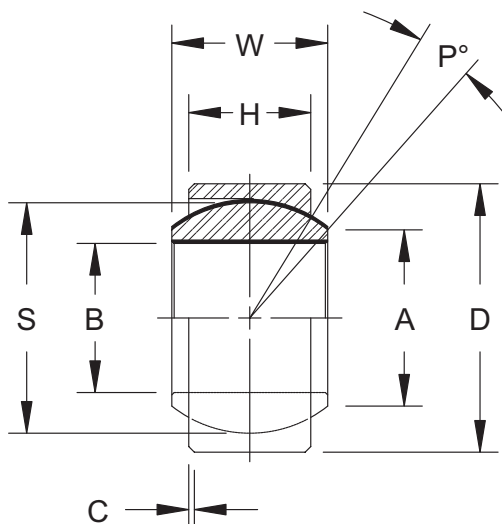
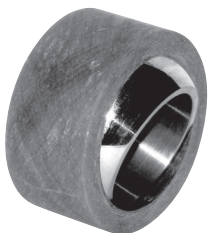
Nominal Shaft Diameter	Part Number - 1/8" Thickness		B + .020 - .000	D + .000 - .020	T ± .005
	Lined One Face	Lined Both Faces			
0.250	707-00008-004	707-20008-004	0.270	0.500	0.125
0.312	707-00010-004	707-20010-004	0.332	0.625	0.125
0.375	707-00012-004	707-20012-004	0.395	0.750	0.125
0.437	707-00014-004	707-20014-004	0.457	0.875	0.125
0.500	707-00016-004	707-20016-004	0.520	1.000	0.125
0.625	707-00020-004	707-20020-004	0.645	1.250	0.125
0.750	707-00024-004	707-20024-004	0.770	1.500	0.125
0.875	707-00028-004	707-20028-004	0.895	1.750	0.125
1.000	707-00032-004	707-20032-004	1.020	2.000	0.125
1.125	707-00034-004	707-20034-004	1.145	2.125	0.125
1.250	707-00036-004	707-20036-004	1.270	2.250	0.125
1.375	707-00040-004	707-20040-004	1.395	2.500	0.125
1.500	707-00042-004	707-20042-004	1.520	2.625	0.125
1.625	707-00044-004	707-20044-004	1.645	2.750	0.125
1.750	707-00046-004	707-20046-004	1.770	2.875	0.125
1.875	707-00048-004	707-20048-004	1.895	3.000	0.125
2.000	707-00052-004	707-20052-004	2.020	3.250	0.125

Additional Notes

- Size:** Standard sizes - from .250" to 2.000" inside diameter
- Load:** Typical dynamic loads - 4,000 to 20,000 psi, Ultimate 60,000 psi
- Motion:** Oscillatory and slow speed full rotation
- Friction:** Coefficients vary from .16 @ 500 psi to .07 @ 20,000 psi
- Electrical:** G-10 substrate material is an electrical insulator
- Chemical:** Resistant to most chemicals, see Appendix or consult Rexnord engineer
- Temperature:** Cryogenic to +250°F

For part number sizes shaded in gray please consult rexnord bearing engineering

Annular Bearings



Product Features

The self-lubricating bearing element consist of a woven Teflon fiber and polyester fiber liner supported by a filament wound continuous fiberglass fiber and epoxy resin matrix. The mating element (wear surface) is metallic.

Bearing Dimensions

Part Number	B +.000 -.001	D +.001 -.000	W +.000 -.005	H +.000 -.005	A (Ref)	C +.010 -.010	P Deg. Max	S Ball O.D.	Limit Load Rating- Lbs.
801-08-14-01	0.500	0.8750	0.437	0.375	0.571	0.015	6	0.719	5,400
801-12-20-01	0.750	1.2500	0.656	0.562	0.858			1.080	12,140
801-14-23-01	0.875	1.4375	0.765	0.656	0.999			1.258	16,500
801-16-26-01	1.000	1.6250	0.875	0.750	1.140			1.437	21,560
801-20-32-01	1.250	2.0000	1.093	0.937	1.424			1.795	33,640
801-22-35-01	1.375	2.1875	1.187	1.031	1.531			1.937	40,000
801-24-39-01	1.500	2.4375	1.312	1.125	1.710			2.155	48,480
801-28-45-01	1.750	2.8125	1.531	1.312	1.995			2.515	66,000
801-32-51-01	2.000	3.1875	1.750	1.500	2.281			2.875	86,250
801-36-57-01	2.250	3.5625	1.969	1.687	2.567			3.235	109,150
801-40-63-01	2.500	3.9375	2.187	1.875	2.847			3.590	134,620
801-48-76-01	3.000	4.7500	2.625	2.250	3.421			4.312	194,040
801-64-100-01	4.000	6.2500	3.500	3.000	4.562			5.750	345,000
801-80-124-01	5.000	7.7500	4.375	3.750	5.706			7.190	539,250
801-96-140-01	6.000	8.7500	4.750	4.125	6.630			8.156	672,870

Part Number	B +.000 -.001	D +.001 -.000	W +.000 -.005	H +.000 -.005	A (Ref)	C +.010 -.010	P Deg. Max	S Ball O.D.	Limit Load Rating- Lbs.
821-04-10-01	0.2520	0.6562	0.3430	0.2500	0.4050	0.0200	12	0.5300	6,300
821-05-12-01	0.3150	0.7500	0.3750	0.2810	0.4190		11	0.5625	7,490
821-06-13-01	0.3770	0.8125	0.4060	0.3120	0.4750	0.0250	10	0.6250	9,060
821-07-14-01	0.4400	0.9062	0.4370	0.3430	0.5290		9	0.6855	11,380
821-08-16-01	0.5020	1.0000	0.5000	0.3900	0.6400	0.0300	10	0.8125	15,750
821-09-18-01	0.5650	1.0937	0.5620	0.4370	0.6710		10	0.8750	18,980
821-10-19-01	0.6270	1.1875	0.6250	0.5000	0.7390	0.0300	9	0.9680	24,180
821-12-23-01	0.7520	1.4375	0.7500	0.5930	0.9200			1.1870	36,170
821-14-25-01	0.8770	1.5625	0.8750	0.7030	0.9780			1.3120	48,160
821-16-28-01	1.0020	1.7500	1.0000	0.7970	1.1180			1.5000	63,100
801-40-63-01	2.500	3.9375	2.187	1.875	2.847	0.015	6	3.590	134,620
801-48-76-01	3.000	4.7500	2.625	2.250	3.421			4.312	194,040
801-64-100-01	4.000	6.2500	3.500	3.000	4.562			5.750	345,000
801-80-124-01	5.000	7.7500	4.375	3.750	5.706			7.190	539,250
801-96-140-01	6.000	8.7500	4.750	4.125	6.630			8.156	672,870

Additional Notes

Size: Standard sizes - from .250" (821 Series) to 6.000" (801 Series) inside diameter

Load: Typical dynamic loads - 4,000 to 20,000 psi

Motion: Oscillatory, pivot, slow speed full rotation, for linear consult Rexnord engineer

Friction: Coefficients vary from .16 @ 500 psi to .07 @ 20,000 psi

Electrical: The composite component filament wound back-up material is an electrical insulator

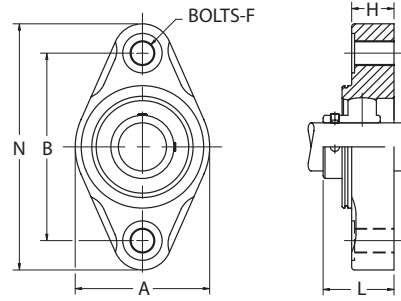
Chemical: Resistant to most chemicals, consult Rexnord engineer

Temperature: -65°F to +325°F for Continuous, 400°F for Intermittent

(801) bearings are supplied with 17- 4 PH Stainless Steel Ball. Consult Rexnord Engineering for other available materials

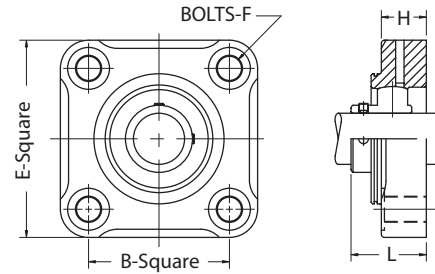
(821) Replaceable composite ball with metallic loader slot outer race

2-Bolt Flange Mounting



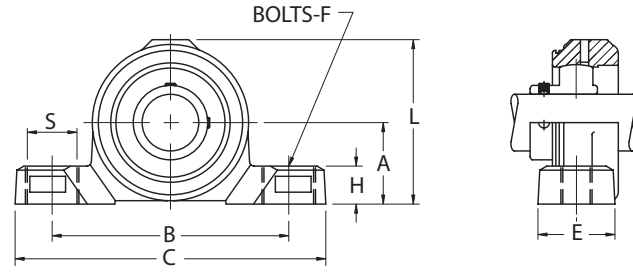
Part Number	Shaft Diameter	A	B	F Bolts	H	L Shaft Protector Length	N
DKLFXM012SP	3/4	2 7/16	3.543	3/8	51/64	1.44	4 9/16
DKLFXM013SP	13/16	2 13/16	3.898		7/8	1.5	5 1/8
DKLFXM014SP	7/8	2 13/16	3.898		7/8	1.5	5 1/8
DKLFXM015SP	15/16	2 13/16	3.898		7/8	1.5	5 1/8
DKLFXM016SP	1	2 13/16	3.898		7/8	1.5	5 1/8
DKLFXM017SP	1 1/16	3 11/32	4.606		1 1/64	1.82	5 53/64
DKLFXM018SP	1 1/8	3 11/32	4.606		1 1/64	1.82	5 53/64
DKLFXM019SP	1 3/16	3 11/32	4.606		1 1/64	1.82	5 53/64
DKLKXM02E20SP	1 1/4S	3 11/32	4.606		1 1/64	1.82	5 53/64
DKLFXM220SP	1 1/4	3 21/32	5.118		1 1/64	1.96	6 3/8
DKLFXM221SP	1 5/16	3 21/32	5.118		1 1/64	1.96	6 3/8
DKLFXM222SP	1 3/8	3 21/32	5.118		1 1/64	1.96	6 3/8
DKLFXM223SP	1 7/16	3 21/32	5.118		1 1/64	1.96	6 3/8
DKLFXM224SP	1 1/2	4 1/64	5.672		1 3/16	2.03	6 59/64

4-Bolt Flange Mounting



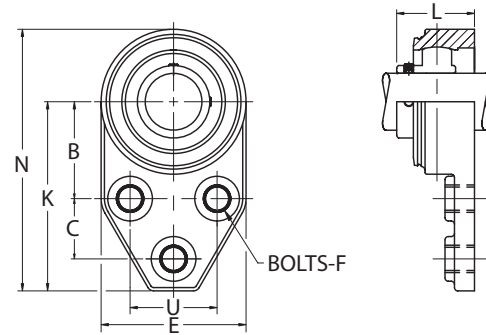
Part Number	Shaft Diameter	B	E	F Bolts	H	L Shaft Protector Length
DKLFM013SP	13/16	2.756	3 55/64	3/8	7/8	1.5
DKLFM014SP	7/8	2.756	3 55/64		7/8	1.5
DKLFM015SP	15/16	2.756	3 55/64		7/8	1.5
DKLFM016SP	1	2.756	3 55/64		7/8	1.5
DKLFM017SP	1 1/16	3.268	4 21/64		1 1/64	1.82
DKLFM018SP	1 1/8	3.268	4 21/64		1 1/64	1.82
DKLFM019SP	1 3/16	3.268	4 21/64		1 1/64	1.82
DKLKXM02E20SP	1 1/4S	3.268	4 21/64		1 1/64	1.82
DKLFM220SP	1 1/4	3.622	4 23/32		1 1/64	1.96
DKLFM221SP	1 5/16	3.622	4 23/32		1 1/64	1.96
DKLFM222SP	1 3/8	3.622	4 23/32		1 1/64	1.96
DKLFM223SP	1 7/16	3.622	4 23/32		1 1/64	1.96
DKLFM224SP	1 1/2	4.016	5 5/32		1 3/16	2.03

Pillow Block



Part Number	Shaft Diameter	A	B	C	E	F Bolts	H	J	L	L Shaft Protector Length	S
DKLPM012SP	3/4	1 5/16	3 25/32	5 1/32	1 3/16	3/8	43/64	3/4	3 1/32	1.44	7/8
DKLPM013SP	13/16	1 7/16	4 11/16	5 31/64	1 23/64		43/64	13/16	3 11/32	1.5	7/8
DKLPM014SP	7/8	1 7/16	4 11/16	5 31/64	1 23/64		43/64	13/16	3 11/32	1.5	7/8
DKLPM015SP	15/16	1 7/16	4 11/16	5 31/64	1 23/64		43/64	13/16	3 11/32	1.5	7/8
DKLPM016SP	1	1 7/16	4 11/16	5 31/64	1 23/64		43/64	13/16	3 11/32	1.5	7/8
DKLPM017SP	1 1/16	1 11/16	4 49/64	6 27/64	1 27/64		25/32	61/64	3 55/64	1.82	15/16
DKLPM018SP	1 1/8	1 11/16	4 49/64	6 27/64	1 27/64		25/32	61/64	3 55/64	1.82	15/16
DKLPM019SP	1 3/16	1 11/16	4 49/64	6 27/64	1 27/64		25/32	61/64	3 55/64	1.82	15/16
DKLKXM02E20SP	1 1/4S	1 11/16	4 49/64	6 27/64	1 27/64		25/32	61/64	3 55/64	1.82	15/16
DKLPM220SP	1 1/4	1 7/8	4 31/32	6 37/64	1 33/64		25/32	1 7/16	4 1/4	1.96	15/16
DKLPM221SP	1 5/16	1 7/8	4 31/32	6 37/64	1 33/64		25/32	1 7/16	4 1/4	1.96	15/16
DKLPM222SP	1 3/8	1 7/8	4 31/32	6 37/64	1 33/64		25/32	1 7/16	4 1/4	1.96	15/16
DKLPM223SP	1 7/16	1 7/8	4 31/32	6 37/64	1 33/64		25/32	1 7/16	4 1/4	1.96	15/16
DKLPM224SP	1 1/2	2	5 11/32	7 9/32	1 33/64		25/32	1 13/64	4 13/32	2.03	15/16

3 Bolt Flange Bracket



Part Number	Shaft Diameter	B	C	D	E	F Bolts	K	L Shaft Protector Length	N	U
DKLFBM013SP	13/16	1 13/16	1 1/8	1 11/64	2 23/32	3/8	3 17/32	1.5	4 57/64	1 5/8
DKLFBM014SP	7/8	1 13/16	1 1/8	1 11/64	2 23/32		3 17/32	1.5	4 57/64	1 5/8
DKLFBM015SP	15/16	1 13/16	1 1/8	1 11/64	2 23/32		3 17/32	1.5	4 57/64	1 5/8
DKLFBM016SP	1	1 13/16	1 1/8	1 11/64	2 23/32		3 17/32	1.5	4 57/64	1 5/8
DKLFBM017SP	1 1/16	2 1/16	1 1/4	1 11/32	3 13/64		3 55/64	1.82	5 15/32	1 7/8
DKLFBM018SP	1 1/8	2 1/16	1 1/4	1 11/32	3 13/64		3 55/64	1.82	5 15/32	1 7/8
DKLFBM019SP	1 3/16	2 1/16	1 1/4	1 11/32	3 13/64		3 55/64	1.82	5 15/32	1 7/8
DKLKXM02E20SP	1 1/4S	2 1/16	1 1/4	1 11/32	3 13/64		3 55/64	1.82	5 15/32	1 7/8
DKLFBM220SP	1 1/4	2 3/8	1 1/4	1 9/16	3 11/16	7/16	4 15/64	1.96	6 5/64	2
DKLFBM221SP	1 5/16	2 3/8	1 1/4	1 9/16	3 11/16		4 15/64	1.96	6 5/64	2
DKLFBM222SP	1 3/8	2 3/8	1 1/4	1 9/16	3 11/16		4 15/64	1.96	6 5/64	2
DKLFBM223SP	1 7/16	2 3/8	1 1/4	1 9/16	3 11/16		4 15/64	1.96	6 5/64	2



Vibration Analysis and Defect Frequency Information

Vibration analysis equipment is used to chart the amplitude and frequency of vibration on key areas of a machine. The theory behind predictive maintenance programs is to predict failures in order to reduce downtime costs. This way parts can be ordered and replaced on scheduled downtime without interrupting production.

Note: Vibration analysis is only effective as a trend analysis tool. It must be part of a thoroughly planned program that establishes "norms" for each individual

piece of equipment. Significant variations from these norms may then point to a problem. The problems must then be sized accordingly; does something need to be replaced, does it just need to be greased or adjusted? The "norms" must be well established in order to recognize an abnormal condition.

The following tables show the Vibration Frequency Coefficients.

Rexnord Roller Bearing Vibration Frequency Coefficients

Size Code	Roller Diameter (in)	Number of Rollers/Row	Pitch Diameter (in)	Contact Angle (deg)	RDF Roller Defect	FTF Fundamental Train	RPM Inner Ring Defect	RPFO Outer Ring Defect
2	0.250	12	1.75	18.00	0.1150	0.0072	0.1135	0.0865
3	0.275	13	1.99	17.50	0.1185	0.0072	0.1226	0.0940
4	0.290	13	2.18	16.25	0.1233	0.0073	0.1222	0.0945
5	0.327	14	2.57	16.63	0.1290	0.0073	0.1309	0.1024
6	0.331	16	2.82	15.17	0.1402	0.0074	0.1484	0.1182
7	0.347	16	3.15	15.00	0.1499	0.0074	0.1475	0.1192
8	0.400	20	3.50	15.00	0.1442	0.0074	0.1480	0.1186
9	0.480	16	4.11	15.00	0.1412	0.0074	0.1483	0.1183
10	0.510	22	4.76	14.50	0.1543	0.0075	0.1655	0.1345
11	0.723	16	5.62	14.25	0.1278	0.0073	0.1499	0.1167
12	0.796	17	6.15	12.50	0.1269	0.0073	0.1595	0.1238
13	0.964	16	7.13	13.50	0.1212	0.0072	0.1509	0.1158
14	1.156	15	8.27	13.50	0.1171	0.0072	0.1420	0.1080
15	1.200	16	8.88	12.50	0.1213	0.0072	0.1509	0.1158
16	1.291	16	9.82	12.25	0.1248	0.0073	0.1505	0.1162

* There are two rows per bearing

* Table coefficient values multiplied by speed = hertz (cps) or HZ value X 60 = cycles per minute (cpm) frequency value

Link-Belt Roller Bearing Vibration Frequency Coefficients

Size Code	Roller Diameter (in)	Number of Rollers/Row	Pitch Diameter (in)	Contact Angle (deg)	RSF Roller Spin	FTF Fundamental Train	RPM Inner Ring Defect	RPFO Outer Ring Defect	RDF Roller Defect
B416	0.347	13	1.753	18.83	0.0407	0.0068	0.1287	0.0880	0.0812
B420	0.378	13	1.986	17.77	0.0368	0.0068	0.1280	0.0887	0.0847
B424	0.354	15	2.172	16.32	0.0498	0.0070	0.1445	0.1055	0.0998
B524									
B624									
B428	0.445	14	2.558	16.63	0.0467	0.0070	0.1362	0.0972	0.0932
B528									
B432	0.408	17	2.794	14.98	0.0558	0.0072	0.1617	0.1217	0.1118
B531									
B631									
B436	0.424	19	3.134	15.00	0.0605	0.0072	0.1790	0.1377	0.1212
B536									
B635									
B440	0.467	19	3.457	14.05	0.0607	0.0072	0.1790	0.1377	0.1213
B540									
B639									
B448	0.559	18	4.034	14.12	0.0592	0.0072	0.1702	0.1298	0.1182
B548									
B647									
B456	0.615	19	4.709	14.30	0.0628	0.0073	0.1783	0.1383	0.1255
B556									
B655									
B464	0.822	18	5.517	13.47	0.0548	0.0073	0.1717	0.1283	0.1095
B564									
B663									
B572	0.817	21	5.998	14.05	0.0600	0.0073	0.1982	0.1518	0.1202
B671									
B580	0.968	18	6.372	13.78	0.0537	0.0073	0.1722	0.1278	0.1073
B679									

* There are two rows per bearing

* Table coefficient values multiplied by speed = hertz (cps) or HZ value X 60 = cycles per minute (cpm) frequency value

Link-Belt Heavy Duty Ball Bearing Vibration Frequency Coefficients

Size Code	Ball Diameter (in)	Number of Balls	Pitch Diameter (in)	BSF Ball Spin	FTF Fundamental Train	BPFI Inner Ring Defect	BPFO Outer Ring Defect	BDF Ball Defect
312	0.3750	7	1.4173	0.0293	0.0062	0.0738	0.0428	0.0585
316	0.4375	7	1.7126	0.0305	0.0062	0.0732	0.0435	0.0610
319	0.4874	8	2.0079	0.0325	0.0063	0.0827	0.0507	0.0650
323	0.5313	8	2.2638	0.0335	0.0063	0.0823	0.0510	0.0672
324	0.5938	8	2.5591	0.0340	0.0063	0.0822	0.0512	0.0680
328	0.6875	8	2.8543	0.0327	0.0063	0.0827	0.0507	0.0652
331	0.7500	8	3.1496	0.0330	0.0063	0.0825	0.0508	0.0660
335	0.8125	8	3.4440	0.0333	0.0063	0.0823	0.0510	0.0667
339	0.8750	8	3.7402	0.0337	0.0063	0.0823	0.0510	0.0673
344	1.0000	8	4.3307	0.0342	0.0063	0.0820	0.0513	0.0683
347	1.0625	8	4.6260	0.0343	0.0065	0.0820	0.0513	0.0687
351	1.1250	8	4.9213	0.0345	0.0065	0.0818	0.0515	0.0692
356	1.2500	8	5.5118	0.0348	0.0065	0.0818	0.0515	0.0697
363	1.4375	8	6.2008	0.0340	0.0065	0.0817	0.0516	0.0680

* Table coefficient values multiplied by speed = hertz (cps) or HZ value X 60 = cycles per minute (cpm) frequency value

Link-Belt 6800 & 6600 Series Roller Bearing Vibration Frequency Coefficients

Size Code	RSF Roller Spin	FTF Fundamental Train	RPFI Inner Ring Defect	RPFO Outer Ring Defect
22209	0.0497	0.0070	0.1640	0.1188
22210	0.0530	0.0071	0.1730	0.1272
22211	0.0553	0.0071	0.1810	0.1352
22213	0.0523	0.0071	0.1730	0.1269
22215	0.0591	0.0072	0.1890	0.1438
22216	0.0553	0.0071	0.1810	0.1352
22217	0.0523	0.0071	0.1730	0.1269
22218	0.0524	0.0071	0.1730	0.1269
22220	0.0522	0.0071	0.1730	0.1269
22222	0.0493	0.0069	0.1650	0.1186
22224	0.0522	0.0071	0.1730	0.1269
22226	0.0524	0.0071	0.1730	0.1270
22228	0.0523	0.0071	0.1730	0.1269
22230	0.0522	0.0071	0.1730	0.1269
22232	0.0523	0.0071	0.1730	0.1269
22234	0.0492	0.0070	0.1650	0.1186
22236	0.0523	0.0071	0.1730	0.1269
22238	0.0573	0.0072	0.1900	0.1433
22240	0.0557	0.0071	0.1811	0.1356
22244	0.0540	0.0071	0.1818	0.1349
23048	0.0857	0.0075	0.2645	0.2187
23056	0.0826	0.0075	0.2563	0.2103

* There are two rows per bearing

* Table coefficient values multiplied by speed = hertz (cps) or HZ value X 60 = cycles per minute (cpm) frequency value

Link-Belt & MB Ball Bearing Vibration Frequency Coefficients

Size Code	Ball Diameter (in)	Number of Balls	Pitch Diameter (in)	BSF Ball Spin	FTF Fundamental Train	BPFI Inner Ring Defect	BPFO Outer Ring Defect	BDF Ball Defect
203	0.2969	7	1.1220	0.0293	0.0062	0.0738	0.0428	0.0585
204	0.3125	8	1.3189	0.0332	0.0063	0.0825	0.0508	0.0633
205	0.3125	9	1.5157	0.0387	0.0067	0.0905	0.0595	0.0775
206	0.3750	9	1.8110	0.0385	0.0067	0.0905	0.0595	0.0770
207	0.4375	9	2.1063	0.0383	0.0067	0.0905	0.0595	0.0768
208	0.4688	9	2.3622	0.0367	0.0065	0.0912	0.0588	0.0733
209	0.5000	9	2.5590	0.0377	0.0065	0.0908	0.0592	0.0752
210	0.5000	10	2.7559	0.0445	0.0068	0.0985	0.0682	0.0888
211	0.5625	10	3.0512	0.0437	0.0068	0.0987	0.0680	0.0873
212	0.6250	10	3.3464	0.0430	0.0068	0.0988	0.0678	0.0862
214	0.6563	10	3.6417	0.0447	0.0068	0.0983	0.0683	0.0895
215	0.6875	11	4.0354	0.0475	0.0068	0.1073	0.0760	0.0950
216	0.7813	11	4.6260	0.0470	0.0069	0.1074	0.0759	0.0941
217	0.7813	11	4.6260	0.0480	0.0070	0.1072	0.0762	0.0958
218	1.0000	10	5.5118	0.0454	0.0069	0.0981	0.0685	0.0908
220	1.0000	10	5.5118	0.0445	0.0068	0.0985	0.0682	0.0888

* Table coefficient values multiplied by speed = hertz (cps) or HZ value X 60 = cycles per minute (cpm) frequency value

Shaft Size Tolerance

A snug fit-up between shaft and bearing inner race is required for proper bearing performance. In fact, a press fit is necessary to obtain full basic dynamic capacity. As application conditions and requirements vary, fit-up and mounting requirements change as well.

A slip fit mounting in accordance with the shaft tolerances shown in the tables below will provide generally acceptable service life on normal applications under light to moderate load and speed conditions. A shaft tolerance resulting in looser fits (such as commercial grade shafting) may be expected to have greatly reduced reliability and increasing problems of shaft fret wear, bearing inner ring fracture and shaft slippage. In general, looser fits than recommended are feasible only for very light loading and lower speeds.

Shafting should be designed for adequate strength and stiffness for the intended application. It should be round, straight, free of nicks and burrs and of correct size.

If a special tolerance shaft is to be used, consideration should be given to the use of a precision tolerance bearing, particularly in the case of severe loading or high speed applications to obtain optimum bearing performance.

The tables below lists shaft size tolerance information for various types of mounting and application conditions.

Recommended Roller Bearing Shaft Tolerance Table

Shaft Diameter	Recommended Shaft Tolerances	
	Setscrew Mounted	Adapter Mounted
thru 2"	+ .0000" to -.0005"	+ .000" to -.003"
2 1/16" to 4"	+ .0000" to -.0010"	+ .000" to -.004"
4 1/16" to 6"	+ .0000" to -.0015"	+ .000" to -.005"
6 1/16" to 13"	+ .0000" to -.0015"	+ .000" to -.006"
17mm to 50mm	+ .000mm to -.013mm	+ .00mm to -.07mm
55mm to 100mm	+ .000mm to -.025mm	+ .00mm to -.10mm
105mm to 150mm	+ .000mm to -.038mm	+ .00mm to -.13mm
155mm to 330mm	-	+ .00mm to -.15mm

Recommended Ball Bearing Shaft Tolerance Table

Shaft Diameter	Recommended Shaft Tolerances	
	Setscrew Mounted	Adapter Mounted
thru 2"	+ .0000" to -.0005"	+ .000" to -.003"
2 1/16" to 4"	+ .0000" to -.0010"	+ .000" to -.004"
17mm to 50mm	+ .000mm to -.013mm	-
55mm to 100mm	+ .000mm to -.025mm	-

Recommended Sleeve Bearing Shaft Tolerance Table

Shaft Diameter	Recommended Shaft Tolerances
thru 2"	+ .000" to -.003"
2 1/16" to 4"	+ .000" to -.004"
4 1/16" to 6"	+ .000" to -.005"
6 1/16" to 13"	+ .000" to -.006"

Recommended Setscrew Torque Values

Proper tightening torque can be found in the below tables. Achieving these values will distort the set collars and spring load the setscrews to prevent their loosening during operation. If an Allen wrench is used as the torque wrench, place length of pipe over long end and pull until wrench begins to twist.

The axial load capacities listed in the below tables are for knurled cup setscrews having 90° spacing, tightened to recommended torque range on a shaft seat not harder than 35 Rockwell C. The axial load values may be used in design, as a safety factor has been applied.

The setscrew torque values and allowable axial loads are applicable to Rexnord Bearing products only. These values can not be applied to bearings manufactured by other vendors having different setscrew spacing, different type of setscrews and/or different size setscrews.

Rexnord Roller Bearing Seating Torque

Setscrew Size (in)	2000	3000	5000	Setscrew Torque Range (in-lb)	Axial Load Capacity 2000 & 3000 (lb)	Axial Load Capacity 5000 (lb)
5/16	2012-2104	3107		125	500	
3/8	2107-2200	3111-3115	5107-5115	225	650	1300
7/16	2203-2204	3203-3315	5200-5203	325	825	1650
1/2	2206-2308	3207-3308	5207-5307	680	990	1980
5/8	2311-2400	3315	5311-5507	1350	1320	2640
3/4			5515-5700	1600	1650	3300

Link-Belt Roller Bearing Seating Torque

Setscrew Size (in)	B22400	B22500	Setscrew Torque Range (in-lb)	Axial Load Capacity B22400 (lb)	Axial Load Capacity B22500 (lb)
5/16	B22412-420		185	500	
3/8	B22423-432	B22523-531	325	650	1300
7/16	B22435-436	B22532-535	460	825	1650
1/2	B22439-456	B22536-556	680	990	1980
5/8	B22459-464	B22559-580	1350	1320	2640

Link-Belt Ball Bearing Seating Torque

Setscrew Size (in)	C200	Y200/W200	U200	S200	U300	Setscrew Torque Range (in-lb)	Axial Load Capacity (lb)
#8			2B08-211			20-23	125
#10	2B08-210		212-216	212-216	312	33-40	175
1/4	212-2E20	2B08-216	218-2E20	217-223	314-316	87-92	330
5/16	220-228	217-2E20	220-2E32	224-231	318-324	165-185	500
3/8	231-239	220-2E32	232-239		326-331	290-325	650
7/16		232-239	240-243		332-339	430-460	825
1/2			244-2E56		343-347	620-680	990
5/8			263-264		348-356	1225-1350	1320
3/4					363	2125-2350	1650

MB Ball Bearing Seating Torque

Setscrew Size (in)	Shaft Size (in) KMB45/KMB25	KMB55/KMB35	MB25	MB35	Setscrew Torque Range (in-lb)	Axial Load Capacity (lb)
#10	1/2" to 1 1/16"		1/2" to 1 1/16"		33-40	175
1/4	3/4" to 1 1/4"	1"	3/4" to 1"		87-92	330
5/16	1 1/4" to 1 3/4"	1 3/16" to 1 1/2"	1 1/8" to 1 3/4"	1" to 1 1/2"	165-185	500
3/8	1 7/8" to 2 15/16"	1 11/16" to 3 1/2"	1 7/8" to 2 15/16"	1 11/16" to 3 1/2"	290-325	650

Introduction to Load Ratings

The values shown in the Radial Load Rating Tables are used to select the most economical bearing capable of sustaining the required speed and load for the desired life. Do not depend entirely on the rated capacity to judge how well the complete mounted unit will perform. Environmental and maintenance conditions can detract from this performance. The realistic approach to mounted bearing application is to consider "theoretical" rated capacity of the base bearing plus the housing design, seals, method of securing to shaft, lubrication, etc., as they effect the desired life expectancy and the economics of overall equipment design.

Basis of Load Ratings

The Anti-Friction Bearing Manufacturer's Association (AFBMA), recommends the use of a standard formula for determining the basic rating of anti-friction bearings. The use of the formula determines the rating for any given bearing and is based upon failure from surface contact fatigue of the roller or race material.

The AFBMA Basic Load Rating definition may be thought of as having two basic principles involved; one being of a physical nature relating to a load carrying ability (Basic Load Rating) and the other taking into consideration failure level or probability of bearing survival (Rating Life).

The definitions of these principles are:

1. The "Basic Load Rating" of a bearing is that consistent stationary equivalent radial load which a group of apparently identical roller bearings with stationary outer ring can endure for one million revolutions of the inner ring.
2. The "Rating Life" of a group of apparently identical bearings is defined as "the number of revolutions that 90% of a group of bearings will complete or exceed before first evidence of fatigue develops." This is often referred to as L₁₀ or B-10 Life.

C Rating

The common industry term "C" Rating inter-relates these two rating conditions. The "C" Rating is defined as "the equivalent radial load which may be imposed on the bearings to give an L₁₀ (B-10) life of one million revolutions" (500 hours at 33 1/3 rpm). The "C" Rating is calculated from an empirical formula based on size and geometry. The empirical relationship is based on assumptions in several important areas; i.e., press fit mounting to shaft, adequate mineral oil lubrication, no misalignment, uniform loading, moderate speed and temperature, absolute cleanliness, etc. While it would appear logical that all bearings of identical geometry, dimensions and material should produce identical results under identical conditions, in reality, due to variations within specified tolerances of material and manufacturing, failures will occur at random periods of life. Ideally these failures should still result from metal fatigue rather than physical wear of the components. The "C" Rating can be expanded into combinations of load and speed to life hours by utilizing specified load-life relationships. These may then be referred to as the capacity ratings for any speed and life hours with the implied "L₁₀" survival probability consideration. This load rating for a given life condition is often termed Capacity Rating Or Rated Capacity and are shown in the Load Rating Tables in the front of each section.

Co Rating

The Basic Static Capacity (Co) is that amount of radial or equivalent radial load that can be imposed on a non-rotating bearing without producing excessive brinelling. This rating applies to the performance of the internal parts of the roller bearing. For the vast majority of applications, a bearing can be run normally after sustaining a static load of Co. First fracture of primary race components does not occur until well above the Co Rating. Co does not necessarily represent static strength of the housing or structure in which the bearing is mounted.

Conditions Affecting Rated Life

When the bearings are mounted in commercial housings and offered as a "package" to the user it should then be understood that the values shown in the catalog Load Rating Tables apply only to the base bearing under laboratory conditions. Common application factors which have an adverse effect on rated life are:

- 1 - Improper mounting (alignments, fit up to shaft)
- 2 - Contamination by abrasive or corrosive material
- 3 - Non-uniform load or vibration
- 4 - Inadequate or improper lubrication
- 5 - Excessive temperature or temperature change
- 6 - Excessive speed

The base bearing when mounted in a commercial housing frequently fails from other causes before it reaches the theoretical basis for the rated life. Thus, selection of housing style, seal type, mounting method, specific lubricant, etc., must also be considered to optimize life on the actual application.

Adjusted Rating Life

While actual results or "usable" bearing life is the primary interest of both those who design and those who utilize bearings, a great many factors impact the translation of "theoretical" rated capacity into actual performance. Once the theoretical bearing L₁₀ life has been calculated, it can be adjusted for higher reliability, special bearing material properties, and/or operating condition effects on lubrication. Detailed information can be obtained from the Rexnord Engineering Department.

Theoretical Bearing L₁₀ Life Calculation

While bearings are usually selected on the basis of capacity, there are occasions when they are selected based on calculated L₁₀ life. The L₁₀ life is defined as the number of revolutions (or hours) that 90% of a group of bearings will meet or exceed before evidence of raceway spalling fatigue occurs. The L₁₀ life can be calculated using the following empirical formula:

Roller Bearing:

$$L_{10} = \frac{1 \times 10^6}{60 \times \text{RPM}} \left(\frac{C}{P_e} \right)^{10/3} = \text{Life in Hours}$$

Ball Bearing:

$$L_{10} = \frac{1 \times 10^6}{60 \times \text{RPM}} \left(\frac{C}{P} \right)^3 = \text{Life in Hours}$$

where C = C Rating

P_e = Equivalent Radial Load or Required Radial Capacity

The basic dynamic load ratings, C, in this catalog have been increased significantly compared to previous values. Improved surface characteristics have been produced primarily by improving manufacturing and measuring techniques for the race surfaces. Along with the capability to rotate under higher loads, the static load ratings, Co, have also been increased.

With the larger load ratings it may be possible to use smaller bearings (size code) for a given application. Caution is advised in such cases to consider the strength of the shaft and housing—especially when the applied load is not aimed directly into the machined mounting surface.

Bearing Selection

Optimum bearing performance is the result of selecting the bearing and the shaft to suit the particular application. Bearing size is often controlled by a shaft size selection, based on shaft bending and torsional stresses. In other applications, bearing load capacity is the determining design factor. In either case, the selection procedure outlined below is used to determine the bearing capacity required to meet the application requirements.

Bearing Selection Procedure

This procedure involves conversion of all forces and conditions into one resultant equivalent radial load on each bearing and utilization of the bearing load rating table.

STEP 1.

Determine all forces acting on the bearings. The following types of loading must be considered.

- A. Static loads - weight of shaft assembly and other equipment supported by the bearings. (When these are small in relation to applied loads they are often disregarded).
- B. Applied loads - forces applied on shaft during normal function of equipment and are determined prior to bearing selection.
- C. Drive loads - forces transmitted from power source to the shaft through belts, chains, gears, etc. (see Drive Load).
- D. Eccentric loads - centripetal force due to a designed unbalanced load rotating with shaft (see Eccentric Loads).

STEP 2.

Resolve the radial forces acting on the shaft into radial loads on each bearing. (See Translation of Shaft Forces into Bearing Loads)

STEP 3.

Combine the radial forces vertically to obtain a resultant radial load (P_r) at each bearing (see combining radial loads).

STEP 4.

Add or subtract all thrust forces (if any) to determine the total thrust load (P_t) acting on the shaft. Assume this thrust load is acting at the bearing with the greatest radial load (P_r).

STEP 5.

Calculate the equivalent radial load (P_e) using the applicable thrust formula. If no thrust is present, then $P_e = P_r$. (See selection guides)

STEP 6.

Apply the modification factors (M) and obtain a required radial capacity (P) to reflect actual application conditions. (See Load Modification Factors)

$$P = P_e \times M$$

STEP 7.

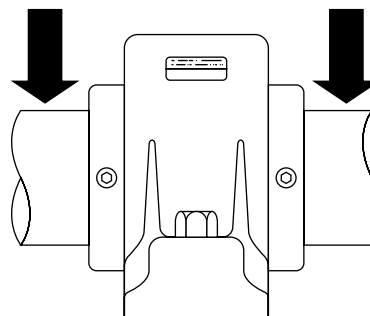
Select a bearing size from the load rating table at the front of each section. Use the largest calculated Required Radial Capacity value (P) and the application speed and life requirements in making the optimum selection. Usually, a single set collar bearing provides an adequate, economic selection. However, in applications involving shock and vibration, increased rigidity, or when shaft locking or housing strength is desired, a double set or adapter mount unit should be specified.

NOTE: If bearing selection has been made without consideration of shaft strength, shaft size (as indicated by bearing bore) should be checked.

Applied Loads

Each shaft performs a basic work function in a system, regardless of the type or style of equipment. The forces relating to this work function normally represent the primary load on the shaft and are most accurately determined by those responsible for total equipment design. When this load information is supplied, these loads are combined with other loadings to determine a bearing selection.

Radial Loads



Drive Loads

To determine the radial force on a shaft from a belt or chain drive where the horsepower being transmitted is known, the following formula should be used:

$$F = \frac{HP \times 126,000 \times K}{PD \times RPM} \quad \text{Formula (1)}$$

Where:

- F - Radial Force on Shaft
- HP - Horsepower transmitted
- PD - Pulley diameter or pitch diameter of sprocket or sheave in inches.
- RPM - Revolutions per minute
- K - See Drive Tension Factors (below)
- 126,000 - A constant for conversion of horsepower, speed and pulley diameter to radial pounds of force.

Drive Tension Factors - K:

While subject to considerable variations due to different installation and maintenance practice, the following Drive Tension Factors "K" are recommended for normal applications:

"K" Factors

Type of Drive	Normal Tension	4 or more V-belts, Tight Belts, Short Centers, High Ratios
Chain	1	1
V-belts (1 to 3 belts)	1.5	2
Flat Belts	2	3

Eccentric Loads

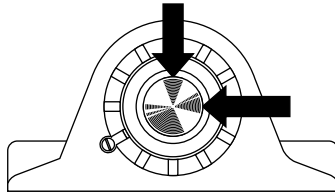
An unbalanced shaft generates a centripetal force which acts radially on the shaft per the following formula:

$$C.F. = .000028 \times r \times W \times (RPM)^2 \quad \text{Formula (2)}$$

C.F. = Centripetal Force (Lbs.)
 r = Radius of rotation of unbalanced load in inches
 W = Weight of unbalanced load in lbs.
 RPM = Revolutions per minute

Since the centripetal force varies in direction it should be added to the maximum combined load from other sources. A modification factor (see Load Modification Factors) must also be included on this type loading.

Bearing Selection



Translation of Shaft Forces into Bearing Loads

Any radial force (F) can be resolved into individual loads on each bearing. The amount of load supported by each bearing is determined from the summation of moments using the following formulas:

When the load (F) is between supports, it produces bearing loads (Fa, Fb) in same direction on both bearings (A & B), and equal to the applied load. (F = Fa + Fb).

An overhung load produces a bearing load (Fa) in the opposite direction of the far bearing (A); and since a lever arm is involved, the magnitude of load (Fb) on nearest bearing (B) will be greater than the overhung load (F), by the amount of load (Fa) on far bearing (A). (F = Fb - Fa).

$$F_a = \frac{F \times e}{c}$$

Formula (3)

$$F_b = \frac{F \times d}{c}$$

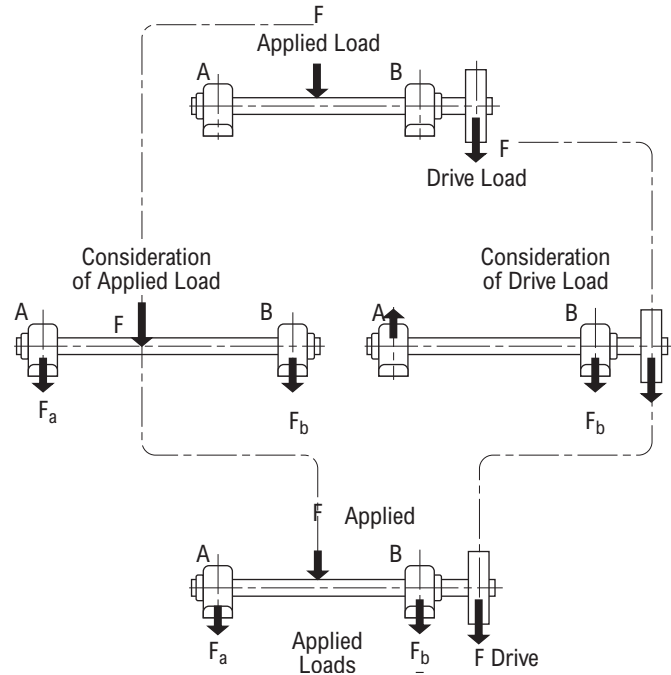
Formula (4)

Note Direction of Forces Fa, Fb

- F - Force on shaft required to transmit power and or other radial forces acting on shaft from one point
- Fa - Radial force on bearing "A"
- Fb - Radial force on bearing "B"
- c - Distance between bearing centerlines in inches
- d - Distance between centerline of bearing "A" and force "F" in inches
- e - Distance between centerline of bearing "B" and force "F" in inches

Combining Radial Loads

Typical applications involve both an applied load and a drive load. Normal Engineering Procedure would be to treat each load source separately, but to ultimately combine these loads as shown below:



In applications where all loads are in the same plane, the forces can be added or subtracted. However, in most applications, all radial forces are not in the same direction. Where two or more radial forces are not in the same plane, these forces should be changed to vertical and horizontal components as shown by the following formula:

$$F_v = \text{Force } F \text{ Sine } \angle \quad \text{Formula (5)}$$

$$F_h = \text{Force } F \text{ Cos } \angle \quad \text{Formula (6)}$$

Where:

Fv = Vertical component in lbs.

Fh = Horizontal component in lbs.

Sine \angle = Sine of angle between force "F" and horizontal

Cos \angle = Cos of angle between force "F" and horizontal

These horizontal and vertical components are combined to obtain a net horizontal force (Prh) and a net vertical force (Prv). The resultant radial force on a bearing is determined as follows:

$$P_r = \sqrt{P_{rv}^2 + P_{rh}^2} \quad \text{Formula (7)}$$

Where:

Pr = Resultant radial load

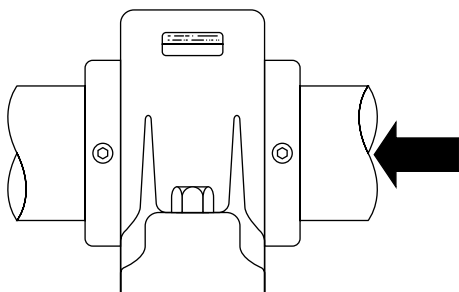
Prv = Total vertical radial load

Prh = Total horizontal radial load

Resultant radial loads (Pr) can also be determined graphically, using vectors representing both size and direction of imposed loads.

Bearing Selection

Pure Thrust Loads



Centrifugal pumps, propellers, drilling equipment, vertical shafts and screw conveyors represent types of equipment where one of the bearings supporting the shaft may be required to take primarily thrust loads. Rex units are capable of taking thrust loads in either direction.

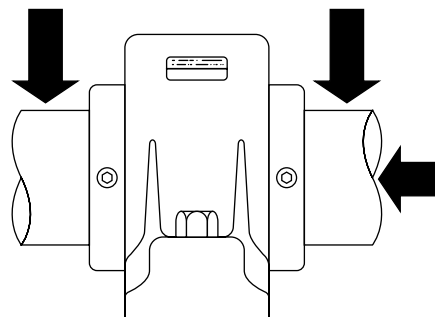
Thrust load ratings for units may be obtained as follows:

$$\text{Thrust Rating} = \frac{\text{Catalog Radial Load Rating}}{\text{Maximum Thrust Factor}} \quad \text{Formula (8)}$$

The "Thrust Rating" is the maximum thrust load a bearing can withstand at the selected RPM and L_{10} Life.

NOTE: Assume thrust load is supported by one bearing only. High thrust loads require special shaft and mounting considerations. Installation must also be considered to assure maximum performance.

Combined Radial and Thrust Loads



In many applications such as, helical, bevel or spiral-bevel gears the bearings are required to carry combined radial and thrust loads. Rex Bearings are in effect two single-row angular contact bearings having a common inner race with a spherical surface. They are, therefore, capable of carrying both radial and thrust loads in either direction.

For purposes of selection, it is always advisable to assume that, if any thrust loading is present, it is carried by the bearing with the heaviest radial load. (In most applications it is almost impossible to split a thrust load between two or more bearings. Also, unless floating units are used, it is difficult to mount bearings so that only one specific bearing carries all the thrust load imposed on a shaft.)

When both thrust and radial loads are involved, the formulas in the Thrust Table are used. The formula combine both loads into an equivalent radial load for which a bearing may be selected from the Load Rating Table. The correct formula is selected based upon size of the unit and percentage of thrust to radial load involved.

Equivalent Radial Load

When selecting a bearing for an application involving thrust loading, a shaft size range must be determined or estimated and bearing series decided to obtain a formula from the Thrust Table below. When a specific bearing has been selected from the Radial Load Rating Table as a result of the use of this formula from the Thrust Table, and its shaft size or style is outside the range of the original formula, the selection is not valid and the equivalent radial load (P_e) must be recalculated using the new formula related to that shaft size and bearing series.

Load Modification Factors

Normal calculations of bearing loads do not take into consideration special load conditions such as oscillatory, shock, or variable loads. To take such conditions into account, load modification factors are applied to the calculated load. These factors, whether termed load modification factors, application factors, or service factors, are all intended to allow extra bearing capacity to offset inordinate loading conditions.

Since factor selection is always a matter of judgement, even personnel experienced in bearing selection and application vary in their assessment of factors for individual application conditions.

The factors listed below are intended only as a general guide and may be adjusted for particular situations.

Oscillatory Loads

Some bearing applications involve shaft oscillation instead of complete rotation. The table below lists the M factors corresponding to the maximum included angle of oscillation. The applied load is multiplied by this M factor to determine the equivalent radial load. When using the load rating tables, the vertical column headings represent cycles per minute instead of RPM.

Basic failure mode changes at oscillation angles below 30° - consult Rexnord.

Oscillation Factors

φ	30	60	90	120	150	180
M	.58	.72	.81	.89	.95	1.00

φ = Included oscillation angle - degrees

M = Modifying factor.

Shock Loads

Shock is an actual dynamic load on the bearing. Consequently capacity must be allocated to handle shock loading in addition to the basic dynamic loading normally calculated or analyzed in an application.

Shock Factors

Operating Condition	Frequency Overload		
	Occasional 33%	Frequent 67%	Continuous 100%
No Shock	1.00	1.00	1.00
Light Shock	1.14	1.24	1.33
Moderate Shock	1.32	1.52	1.67
Heavy Shock or Extreme Vibration	1.52	1.80	2.00

Resultant Load

The Resultant Radial Load P_r or Equivalent Radial Load P_e multiplied by selected Modifying Factors will give the Required Radial Capacity P in terms of catalog load rating tables.

For Radial Load Only:

$$P = P_r \times M \quad \text{Formula (9)}$$

For combined Radial and Thrust Loads as well as Thrust Loads:

$$P = P_e \times M \quad \text{Formula (10)}$$

If safety factors or other allowances have been included in the initial bearing loads to reflect application conditions, then do not duplicate those factors from the following table to avoid exaggerating bearing

loads. In case two or more factors are involved, the values should be multiplied together to obtain the combined "M" Factor.

Variable Loads

In many cases, a bearing is subjected to varying loads and speeds.

The following formula calculates the equivalent load on the bearing when this occurs.

$$P_e = \sqrt[3.33]{\frac{P_1^{3.33}n_1t_1 + P_2^{3.33}n_2t_2 + \dots P_n^{3.33}n_nt_n}{N}} \quad \text{Formula (11)}$$

where P_1, P_2, P_n are the loads (in lbf) acting at speeds

n_1, n_2, n_n (in rpm)

t_1, t_2, t_n are the durations (in decimal percentage) of each load and speed

$$N = t_1n_1 + t_2n_2 + \dots t_n n_n$$

For cases where the load is variable but the speed is constant, the following simplified formula is used:

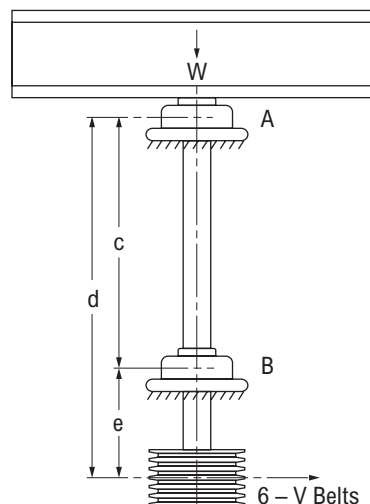
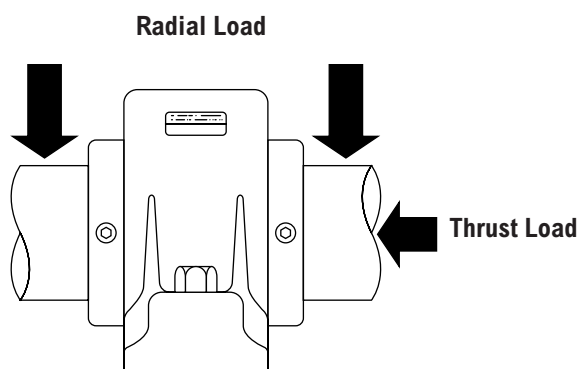
$$P_e = \sqrt[3.33]{P_1^{3.33}t_1 + P_2^{3.33}t_2 + \dots P_n^{3.33}t_n} \quad \text{Formula (12)}$$

When the load varies from a minimum to a maximum load and is a continuous and gradual change, the equivalent load is calculated using the following formula:

$$P_e = \frac{P_{min} + 2P_{max}}{3} \quad \text{Formula (13)}$$

For calculations of more complex loading conditions, consult the Rexnord Bearing Engineering Department.

Application Example



Determine the Flange Block Requirements for the Mixing Tub as shown:

Operating Data	Symbol	Value
Wt. of mixing tub and load	W	2400 lbs.
Horsepower	HP	10
Speed	RPM	200
"K" Factor	K	2
Sheave Pitch Dia.	PD	14"
Bearing "A" to "B"	c	24"
Bearing "A" to Sheave	d	32"
Bearing "B" to Sheave	e	8"
L-10 Life required	-	15,000 Hrs.

Radial force on shaft from V-Belt drive (F) is calculated by using formula (1),

$$F = \frac{HP \times 126,000 \times K}{PD \times RPM} = \frac{10 \times 126,000 \times 2}{14 \times 200} = 900 \text{ lbs.}$$

F1 load from drive, will produce radial loads on bearings "A" and "B." These radial loads are determined by using formulae (3) and (4)

Bearing "A"

$$F_a = \frac{F \times e}{c} = \frac{900 \times 8}{24} = 300 \text{ lbs.}$$

$$F_b = \frac{F \times d}{c} = \frac{900 \times 32}{24} = 1200 \text{ lbs.}$$

A bearing selection is made based upon bearing "B" because it carries the greater radial load. The total thrust load, 2400 lbs. from the weight of the mixing tub and load should also be considered as acting on that bearing.

The thrust and radial loads are combined to an equivalent radial load by selecting the proper X, Y Factors in the Bearing Selection Guide.

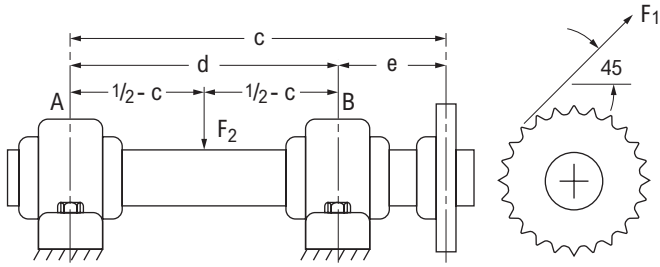
In this case use:

$$P_e = .67 P_r + 2.60 P_t = .67 (1200) + 2.60 (2400) \\ = 804 + 6240 = 7044$$

Referring to the Rexnord Roller Bearing Radial Load Rating Table, a size code 9 bearing has a rating of 9855 lbs. at 200 rpm and 15,000 hours life. Using the derating factor at the bottom of the table, a Normal Duty 2211 bearing has a rating of $(1-.15) \times 9855 = 8377$ lbs. This exceeds the 7044 lbs. of equivalent radial load that was calculated so the 2211 is satisfactory. Therefore, a ZB2211 Normal Duty Flange Block would be selected. Using the formula and C, the bearings L₁₀ life would be:

$$L_{10} = \frac{1 \times 10^6}{60 \times 200} \left[\frac{46,800 \times .85}{7044} \right]^{10/3} = 26,728 \text{ hours}$$

Application Example - Chain and Belt Drives



Radial load on bearings consist of two parts: from the dead load and from the drive. Because these loads act in different directions, they will have to be combined by using formula 5, 6 and 7.

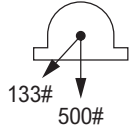
Bearing "A"

Load from weight in center of shaft:

$$F_{2a} = \frac{1000}{2} = 500 \text{ lbs. because weight is centered between both bearings. Load is downward.}$$

Load from drive:

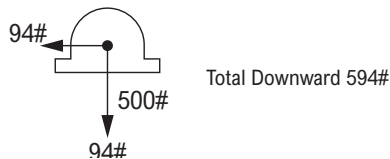
$$F_{1a} = \frac{F_1 \times e}{c} = \frac{1200 \times 10}{90} = 133 \text{ lbs. at } 45^\circ \text{ downward}$$



To combine the loads, the 133 lb. load must be broken up into vertical and horizontal loads.

$$F_v = F_{1a} \times \sin 45^\circ = 133 \times .707 = 94 \text{ lb. vertical downward}$$

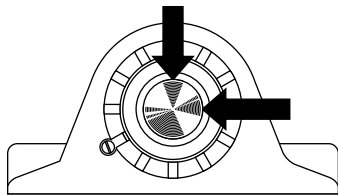
$$F_h = F_{1a} \times \cos 45^\circ = 133 \times .707 = 94 \text{ lb. horizontal}$$



Now combine the total downward load and horizontal load.

$$P_r = \sqrt{(94)^2 + (594)^2} = 602 \text{ lbs. radial load on "A"}$$

Combined Radial Loads



Determine the pillow block requirements for the application shown below:

Operating Data	Symbol	Value
Load from drive	F1	1200 lbs.
Dead load on shaft	F2	1000 lbs.
Speed	RPM	1000
L ₁₀ Life required	-	15,000 Hrs.
Bearing "A" to "B"	c	90"
Bearing "A" to sprocket	d	100"
Bearing "B" to sprocket	e	10"
Sin 45°		.707
Cos 45°		.707

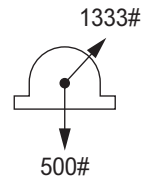
Bearing "B"

Load from weight in center of shaft:

$$F_{2b} = \frac{1000}{2} = 500 \text{ lbs. downward}$$

Load from drive:

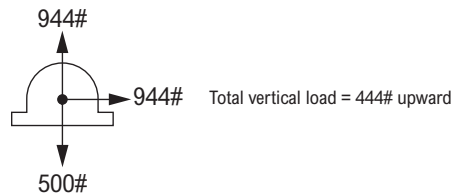
$$F_{1b} = \frac{F_1 \times d}{c} = \frac{1200 \times 100}{90} = 1333 \text{ lbs. at } 45^\circ \text{ upward}$$



Now break up the 1333 lb. load into horizontal and vertical loads:

$$F_v = F_{1b} \times \sin 45^\circ = 1333 \times .707 = 944 \text{ lbs. vertical upward}$$

$$F_h = F_{1b} \times \cos 45^\circ = 1333 \times .707 = 944 \text{ lbs. horizontal}$$



Now combining the total upward load and horizontal load

$$P_r = \sqrt{(444)^2 + (944)^2} = 1042 \text{ lbs. radial load on "B"}$$

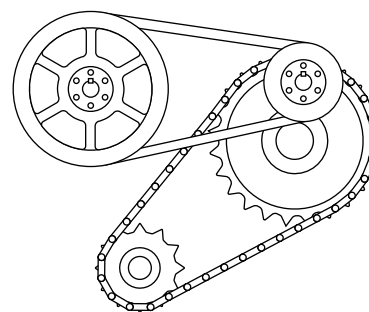
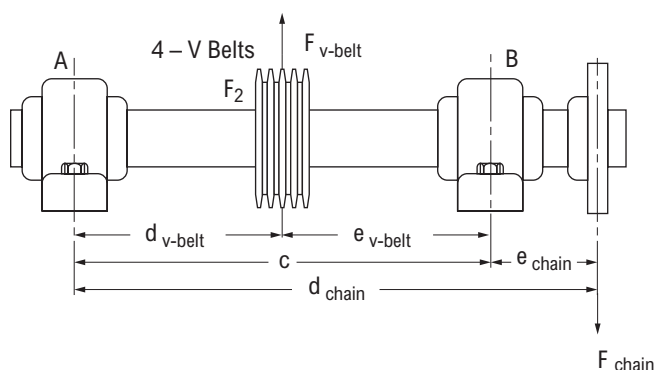
Bearing selection will be based on Bearing "B" because it has the highest load of the two bearings. Referring to the Rexnord Roller Bearing Radial Load Rating Table, a size code 3 bearing has a rating of 1858 lbs. at 1000 rpm and 15,000 hours life. Using the derating factor at the bottom of the table, a Normal Duty 2102 bearing has a rating of (1-.15) X 1858 = 1579 lbs. This exceeds the 1042 lbs. of equivalent radial load that was calculated for Bearing "B" so the 2102 is satisfactory. Therefore, a ZA2102 Normal Duty Pillow Block would be selected.

Using the formula and the C Rating, the bearings L₁₀ life would be:

$$L_{10} = \frac{1 \times 10^6}{60 \times 1000} \left[\frac{14,300 \times .85}{1042} \right]^{10/3} = 59,949 \text{ hours}$$

Application Example - Chain and Belt Drives

Determine the pillow block requirements for the jack shaft driven by a chain sprocket and power take-off through a 4-V Belt Sheave as shown:



Operating Data	Symbol	Value
Horsepower	HP	30
Speed	RPM	200
L ₁₀ Life required	-	80,000 Hrs.
"K" Factor	K _{v-belt}	2
"K" Factor,	K _{chain}	1
Sprocket Pitch Dia	PD _{chain}	10"
Sheave Pitch Dia	PD _{v-belt}	15"
Bearing "A" to "B"	c	20"
Bearing "A" to sheave	d _{v-belt}	10"
Bearing "A" to sprocket	d _{chain}	30"
Bearing "B" to sheave	e _{v-belt}	10"
Bearing "B" to sprocket	e _{chain}	10"

Radial force on shaft from chain drive (F_{chain}) is calculated by using Formula (1).

$$F_{chain} = \frac{HP \times 126,000 \times K}{PD \times RPM} = \frac{30 \times 126,000 \times 1}{10 \times 200} = 1890 \text{ lbs.}$$

(NOTE: Chain pull in this case is downward)

Radial force on shaft from V-Belt power take-off (F_{v-belt}) is calculated by using Formula (1).

$$F_{v-belt} = \frac{HP \times 126,000 \times K}{PD \times RPM} = \frac{30 \times 126,000 \times 2}{15 \times 200} = 2520 \text{ lbs.}$$

(NOTE: V-belt pull in this case is upward)

Radial load on bearings is now determined by combining resulting loads from both chain pull and V-Belt pull using Formula (3) and (4).

Bearing "A"

Load from chain pull

$$F_a = \frac{F_{chain} \times e_{chain}}{c} = \frac{1890 \times 10}{20} = 945 \text{ lbs.}$$

(NOTE: F_a from chain pull is upward)

Load from V-Belt pull

$$F_a = \frac{F_{v-belt} \times e_{v-belt}}{c} = \frac{2520 \times 10}{20} = 1260 \text{ lbs.}$$

(NOTE: F_a from V-Belt is upward)

Combining both F_a s and because both loads are upward add both loads to get total:

$$\text{Total load on "A"} = 945 \text{ lbs.} + 1260 \text{ lbs.} = 2205 \text{ lbs.}$$

Bearing "B"

Load from chain pull

$$F_b = \frac{F_{chain} \times d_{chain}}{c} = \frac{1890 \times 30}{20} = 2835 \text{ lbs.}$$

(NOTE: F_b from chain pull is downward)

Load from V-Belt pull

$$F_b = \frac{F_{v-belt} \times d_{v-belt}}{c} = \frac{2520 \times 10}{20} = 1260 \text{ lbs.}$$

(NOTE: F_b from V-Belt is upward)

Combining both F_b s and because one load is upward and one is downward, subtract to get total:

$$\text{Total load on "B"} = 2835 \text{ lbs.} - 1260 \text{ lbs.} = 1575 \text{ lbs.}$$

Bearing selection will be based on Bearing "A" because it has the highest load of the two bearings. Referring to the Rexnord Roller Bearing Radial Load Rating Table, a size code 7 bearing has a rating of 3466 lbs. at 200 rpm and 80,000 hours life. Using the derating factor at the bottom of the table, a Normal Duty 2203 bearing has a rating of $(1-.15) \times 3466 = 2946$ lbs. This exceeds the 2205 lbs. of equivalent radial load that was

calculated for Bearing "A" so the 2203 is satisfactory. Therefore, a ZA2203 Normal Duty Pillow Block would be selected.

Using the formula and the C Rating, the bearings L₁₀ life would be:

$$L_{10} = \frac{1 \times 10^6}{60 \times 200} \left[\frac{27,200 \times .85}{2205} \right]^{10/3} = 210,092 \text{ hours}$$



866-REXNORD/866-739-6673 (Within the US)
414-643-2366 (Outside the US)
www.rexnord.com

Why Choose Rexnord?

When it comes to providing highly engineered products that improve productivity and efficiency for industrial applications worldwide, Rexnord is the most reliable in the industry. Commitment to customer satisfaction and superior value extend across every business function.

Delivering Lowest Total Cost of Ownership

The highest quality products are designed to help prevent equipment downtime and increase productivity and dependable operation.

Valuable Expertise

An extensive product offering is accompanied by global sales specialists, customer service and maintenance support teams, available anytime.

Solutions to Enhance Ease of Doing Business

Commitment to operational excellence ensures the right products at the right place at the right time.

Rexnord Corporation

Rexnord is a growth-oriented, multi-platform industrial company with leading market shares and highly trusted brands that serve a diverse array of global end markets.

Process and Motion Control

The Rexnord Process and Motion Control platform designs, manufactures, markets and services specified, highly engineered mechanical components used within complex systems where our customers' reliability requirements and the cost of failure or downtime are extremely high.

Water Management

The Rexnord Water Management platform designs, procures, manufactures and markets products that provide and enhance water quality, safety, flow control and conservation.

